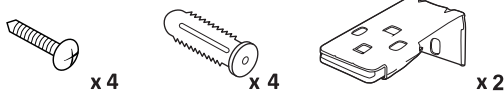


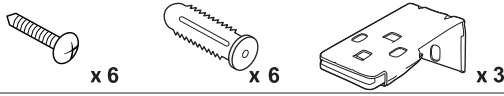
**1** Check package for the complete set of parts.

width length  
of the window

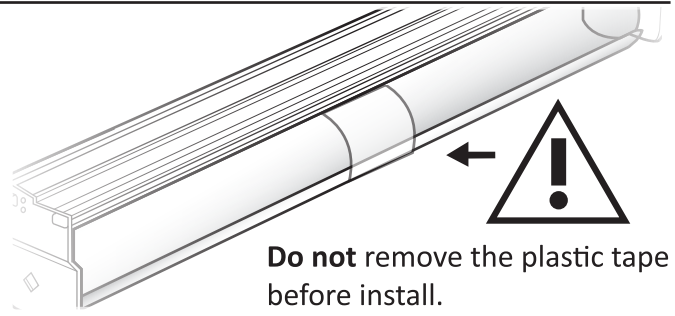
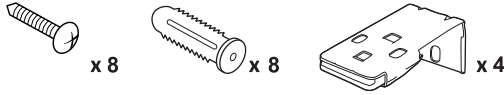
0"~45 <sup>15</sup>/<sub>16</sub>"



46"~58 <sup>15</sup>/<sub>16</sub>"

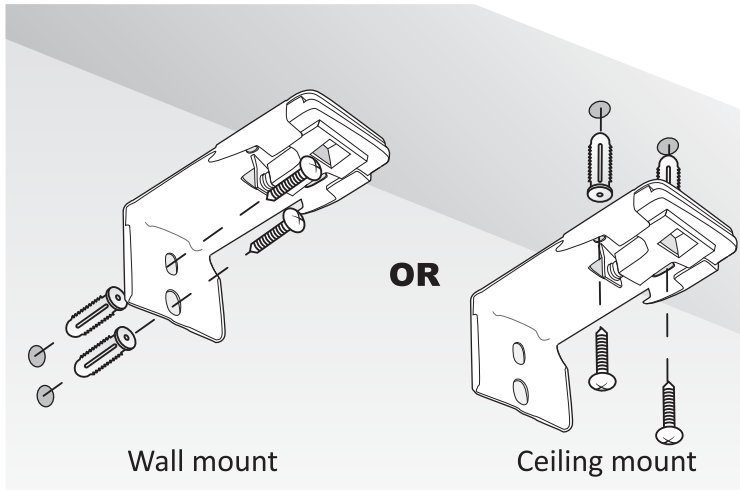


59"~72"



**Do not** remove the plastic tape before install.

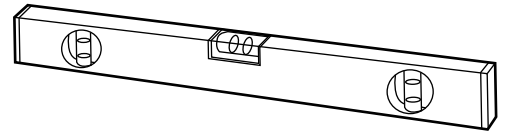
**2** Install brackets as wall or ceiling mount according to your preference.



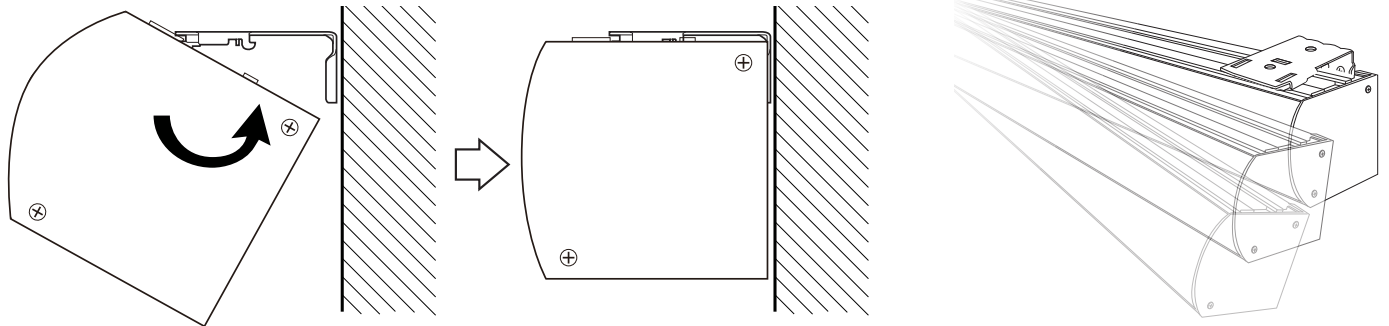
Wall mount

Ceiling mount

Make sure the brackets are level.



**3** Place the front groove of the head rail into the bracket (as shown below). Then push the head rail in and cause the rear groove to clip into the bracket.



**4** Remove the plastic tape and raise the shade up and down straight by holding the bottom handle.

