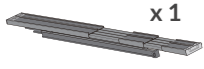


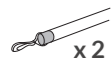

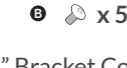



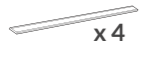










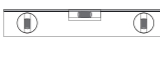


# ADJUSTABLE SLIDING PANELS

## Components

 x 1	 x 5	 x 5
 x 2	 x 5	 x 5
 x 10	 x 10	
 x 2	 x 4	 x 4
 x 12	 x 1	

## Prepare necessary tools

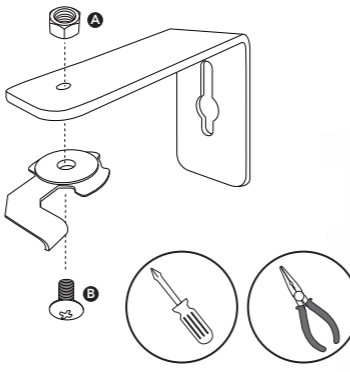
## Important Reminders before Installing

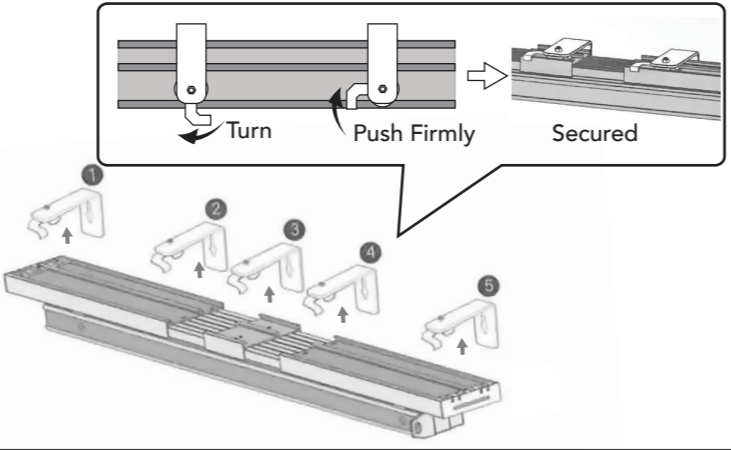
- ⚠️ **RECOMMENDED** to be installed by 2 person
- ⚠️ **DO NOT OVER EXTEND** the track as it may cause to separate completely.
- ⚠️ **DO NOT CUT THE VECLRO SIDE** of the Panel.
- ⚠️ **2 PANELS INCLUDED** inside each roll
- ⚠️ **Inner Alu Bar and Bottom Rails** are located **INSIDE THE PANEL SET**

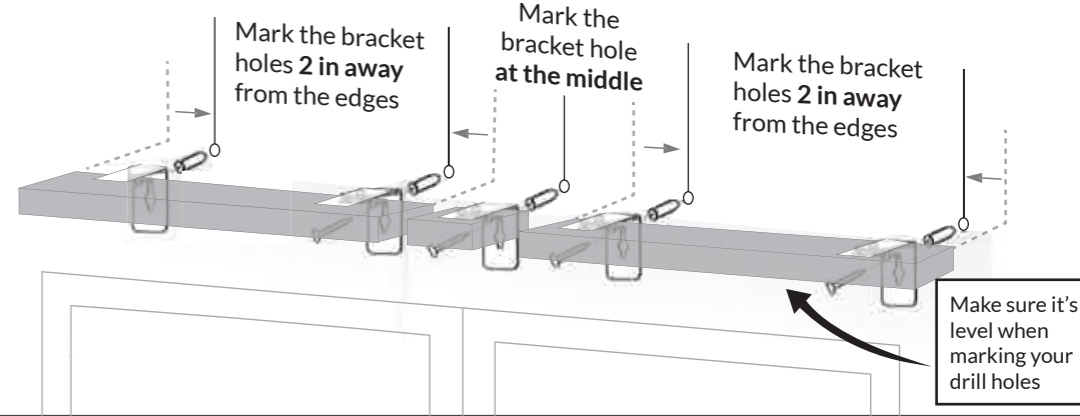
## INSTALLING THE BRACKETS

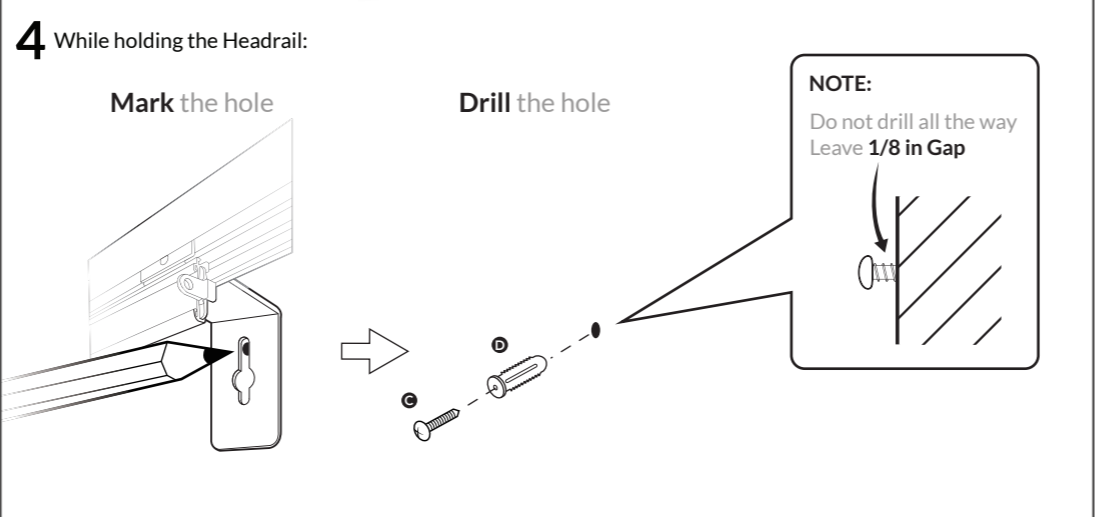
### Wall Mount

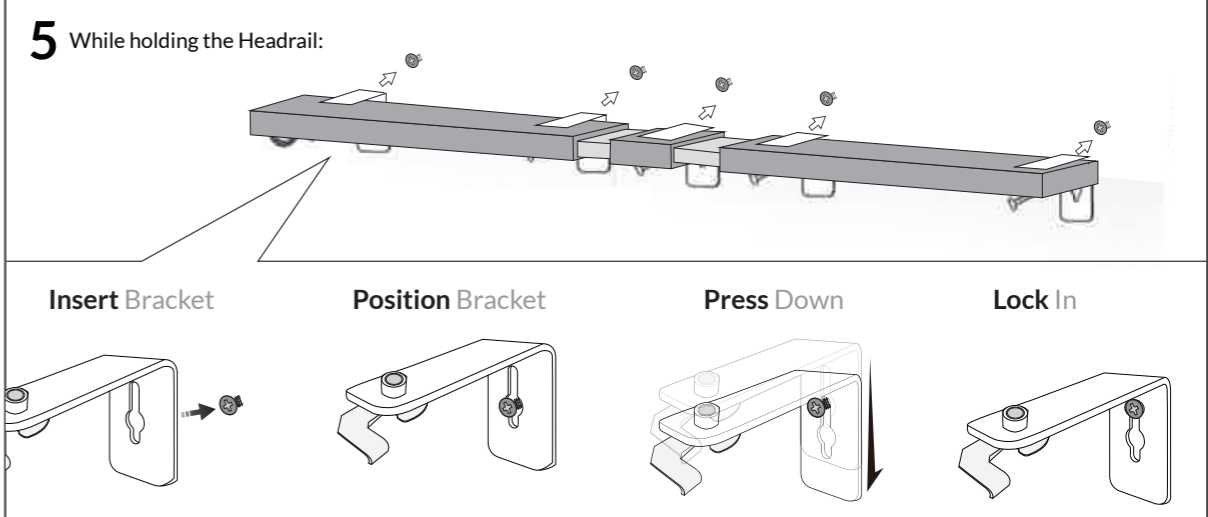
- 1** Assemble Mounting bracket and attach it to the headrail.


- 2** Attach the brackets to the top of the headrail.


- 3** Use the headrail with the brackets as your template to determine the drill holes on your wall.

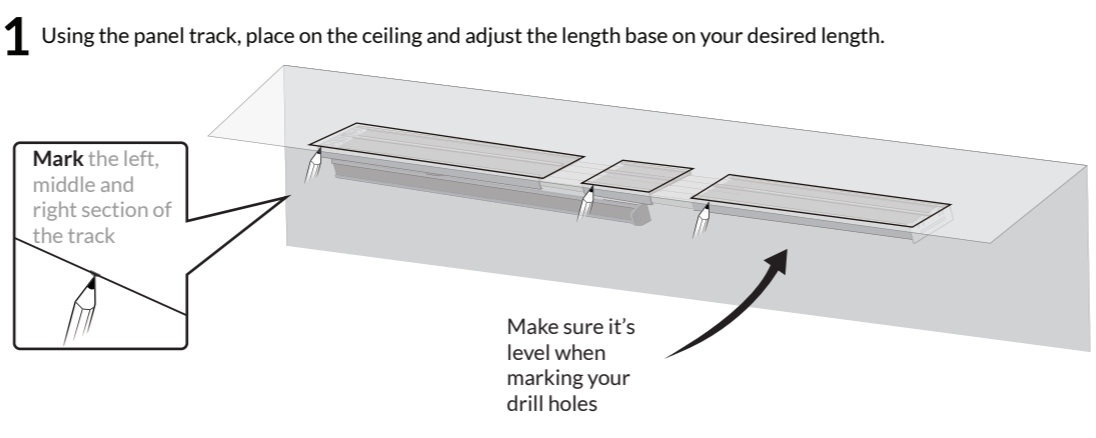

- 4** While holding the Headrail:

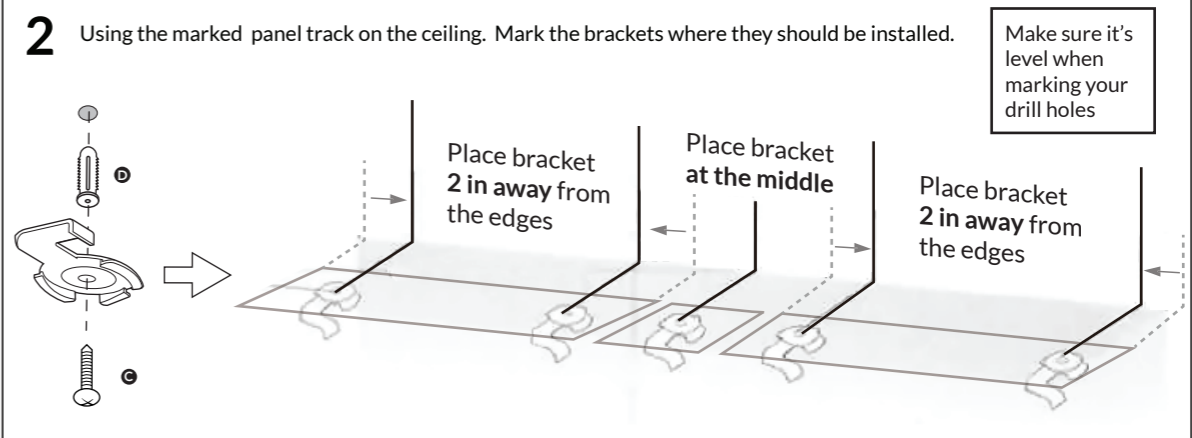

- 5** While holding the Headrail:

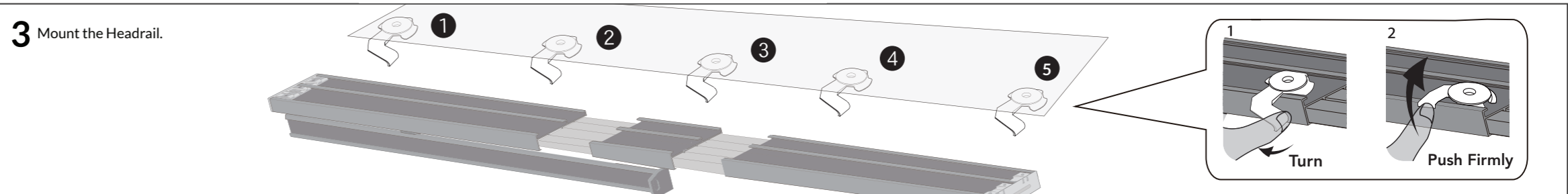


### Ceiling Mount

- 1** Using the panel track, place on the ceiling and adjust the length base on your desired length.



- 2** Using the marked panel track on the ceiling. Mark the brackets where they should be installed.


- 3** Mount the Headrail.

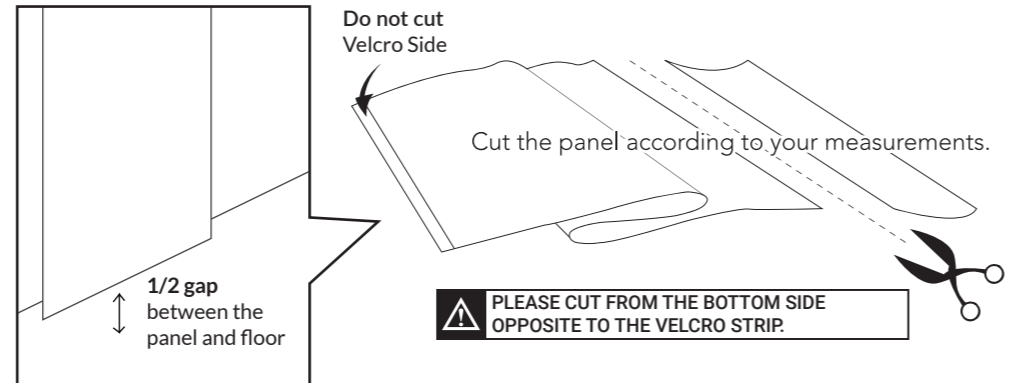


## ATTACHING THE BOTTOM RAIL

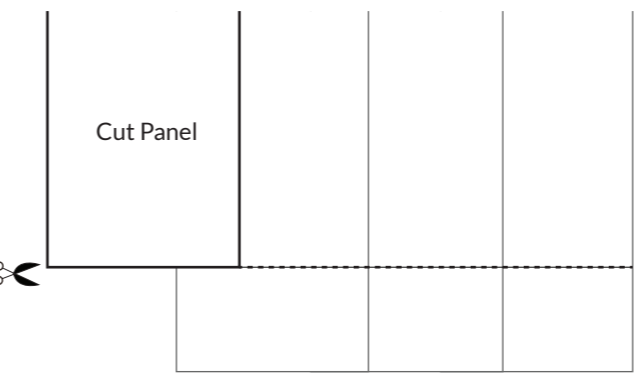
**1** Measure the height you desire for your panels.



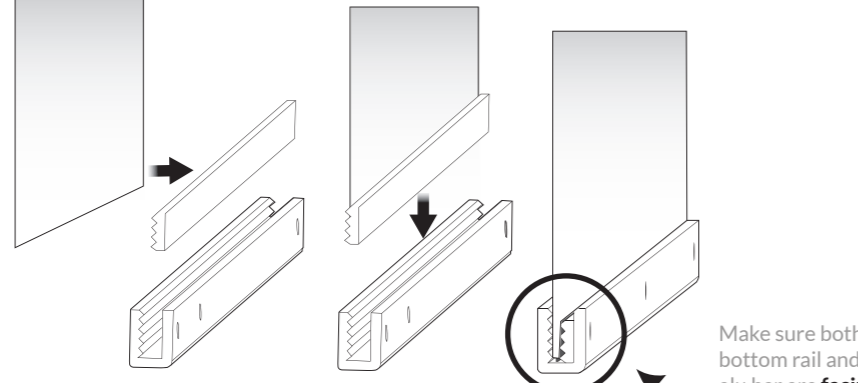
**2**



**3** Use the panel as a template to cut the other panels on the floor.



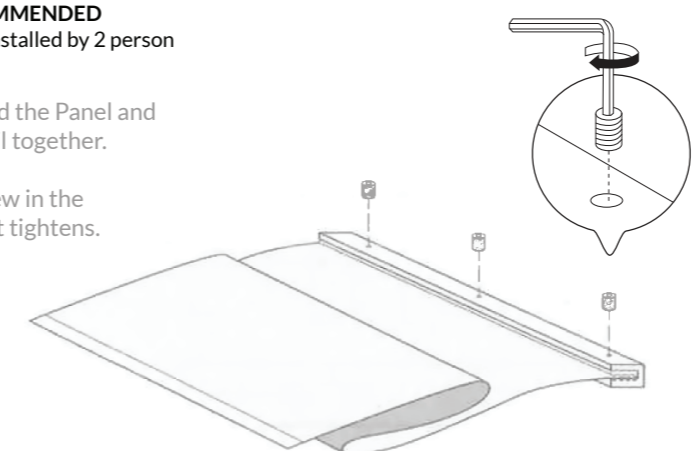
**4** Insert the Panel Sheet to the bottom rail and secure it with the inner alu bar.



**RECOMMENDED** to be installed by 2 person

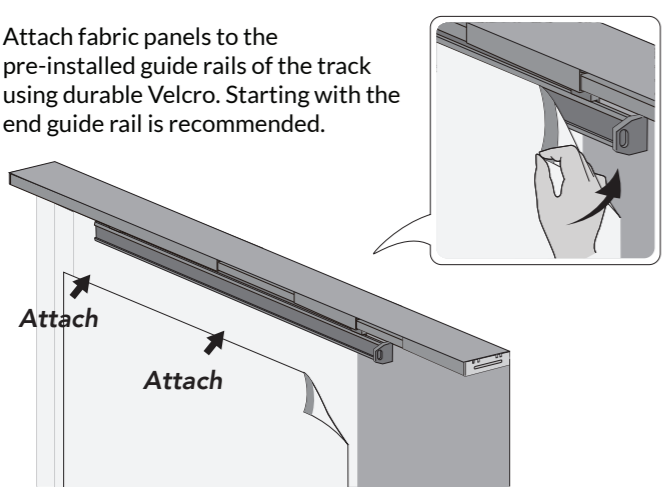
**Person A:** Hold the Panel and the bottom rail together.

**Person B:** screw in the plunger until it tightens.



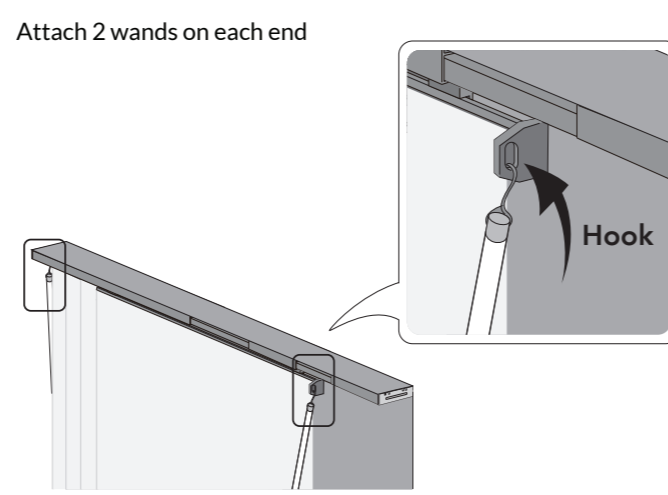
## ATTACHING THE PANEL

Attach fabric panels to the pre-installed guide rails of the track using durable Velcro. Starting with the end guide rail is recommended.




## ATTACHING THE WANDS

Attach 2 wands on each end



## QUICK TIP

45 degrees is the best angle to pull your panels. Drag wand to open and close panels.



## Chicology Ready-Made Blinds Warranty Limited One Year Warranty from the Date of Purchase

### What is Covered:

All of our blinds are warranted against manufacturer defects in materials or workmanship provided that you are the original purchaser of the product, and the product was installed according to our instructions.

### What is Not Covered:

- Normal wear and tear
- Consumer damages caused by accidents, alternations, abuse of the product, exposure to salt air, misuse, or damages from pets or insects.
- Damages resulting from removal and reinstallation in the same or any other window or application, or failure to follow instructions, such as measurement, installation, cleaning, and maintenance.
- Any products that, with the passage of time, has yellowing or cracking of plastic parts.
- Wrong measurements are not covered by the warranty and are not refundable.

### To Report Shipping Damages:

If damage occurred during shipping, please email and call us immediately and report within **14 calendar days** or else you may be denied for your damaged product.

### To Obligations to the consumer:

The obligations of Chicology are limited to the repair or replacements of parts or products found to be defective. Chicology will determine if the product is defective or not and may replace the product. If the product is found to have manufacture defects, we will repair or replace the product. Colors do vary from lot to lot, and may not match original product exactly. Discontinued items will be replaced with the most current product of the same price.

### Your Rights under State law:

This limited warranty gives you specific legal rights, and you may have other rights, which vary from state to state.

### Defective Product:

If you believe your shade has a manufacturing defect, please email and call us.

### Need Further Assistance?

We stand by our products and we're here to help. Call or email us, and expect a reply within 1 business day.

Visit our website for how-to videos and FAQs.

Website: [www.chicology.com/help](http://www.chicology.com/help)  
 Email: [support@chicology.com](mailto:support@chicology.com)  
 Phone: 1 (866) 999-6188  
 Hours: Mon-Fri 8AM to 5PM (PST)



f Chicology Home    p Chicology Home  
 @Chicology Home    y Chicology Home