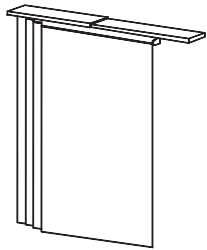


CHICOLOGY

SLIDING PANEL

INSTRUCTION



Congratulations on your purchase!

Chicology Sliding Panel was designed to bring the beauty, style, and function of fabric sliding panels to the homes of today's customers. Through an innovative Adjustable Quad-Rail Track and a limited yet still very versatile line of Premium fabric choices, we were able to deliver the maximum value without sacrificing any quality.

Sliding Panels are great for covering large windows, such as patio doors, as room dividers, closet doors, and more. Depending on the fabric you chose, you can enjoy a gentle shade in a natural setting, create a gorgeous fabric facade, block out the light, or prevent harmful UV rays from entering your home.

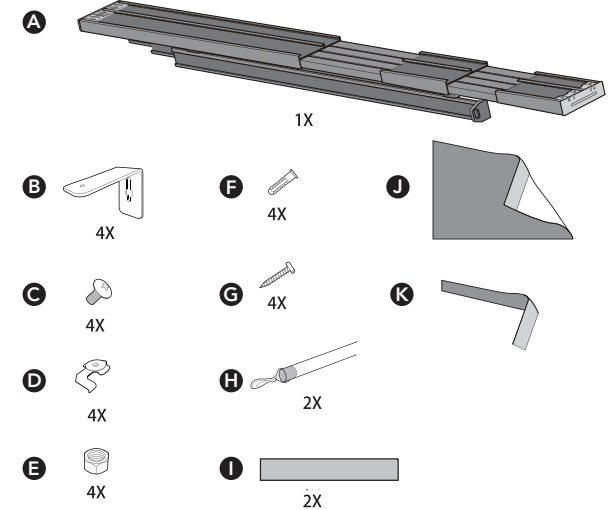
Should you have any questions about your purchase, whether installing or caring for your product, please don't hesitate to contact us. We would be glad to help!

PREPARATION

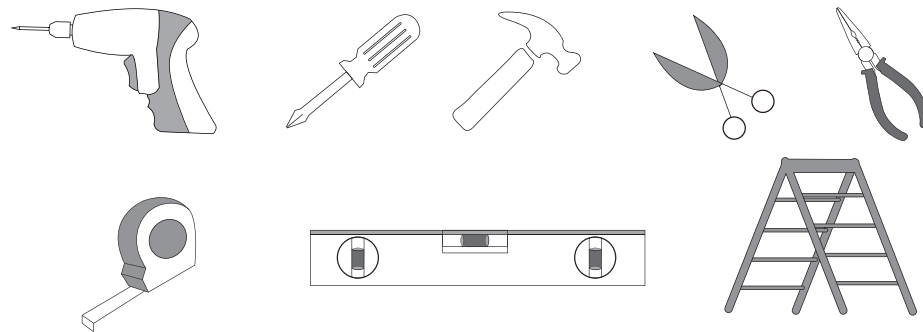
1 Check the Hardware

Check package for the complete set of parts.

- A** Adjustable Quad-Rail Track x 1
- B** Wall Mount "L" Bracket x 4 (for wall mount)
- C** "L" Bracket Connector Screw x 4
- D** Mounting Bracket x 4
- E** Nut x 4
- F** Wall/Ceiling Bracket Anchors x 4
- G** Wall/Ceiling Bracket Screw x 4
- H** Wand x 2
- I** Strip of Strong Double-sided Adhesive x 2
- J** Fabric Panel x 4
- K** Strip of Valance fabric x 1



2 Prepare Tools



3 Prepare Track

Adjust the Quad-Rail Track to the approximate width



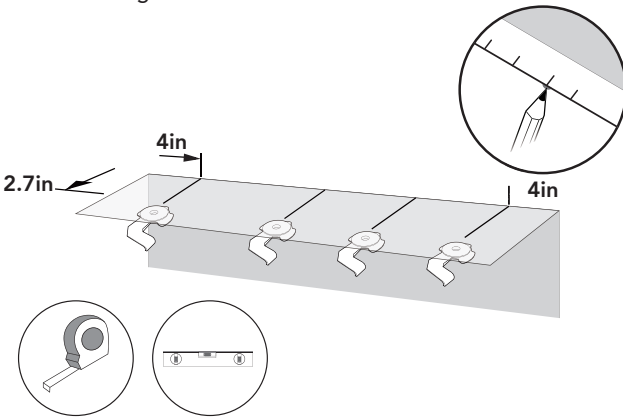
Note: Do not over extend the track and cause it to separate completely.

CEILING MOUNT

1 Measuring

Mark where the **Mounting Brackets** should be installed. **2 Mounting Brackets** should be positioned 4 inches from the left and right edges of the track. The **3rd and/or 4th Mounting Bracket** should be positioned in the approximate middle position of the track.

Brackets must be positioned at precisely the same height. Use a steel tape measure and a level to ensure accuracy. Make sure mounting surface is level.



2 Install the Ceiling Mount Brackets to the ceiling.

Drill all **4 Mounting Brackets** to the ceiling.

Using anchors is recommended.

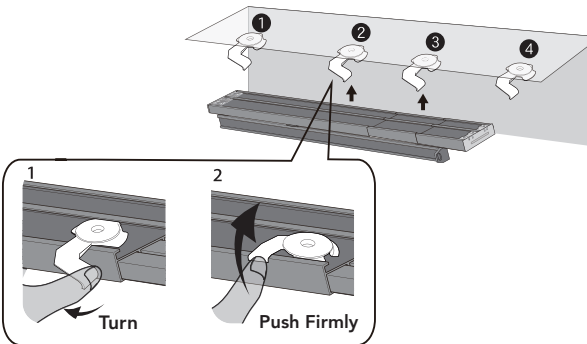
PLEASE MAKE SURE MOUNTING SURFACE IS LEVEL



3 Mount the Head Rail to the ceiling

Position the **Head Rail** to the **Brackets**.

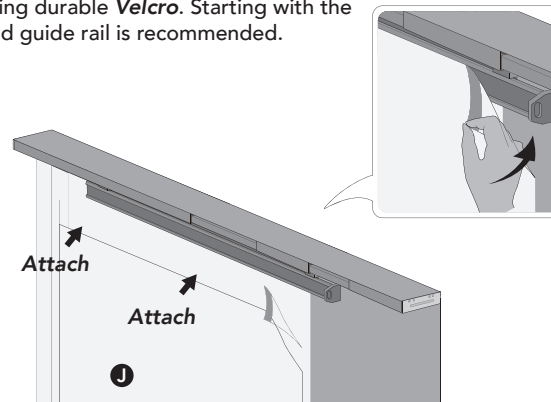
Turn the **Mounting Bracket** wings into the **Head Rail** grooves to securely mount the **Head Rail** onto the **brackets**. Do the same for all **Four Mounting Brackets**.



Use ladder for safety. 2 people is recommended to secure the track.

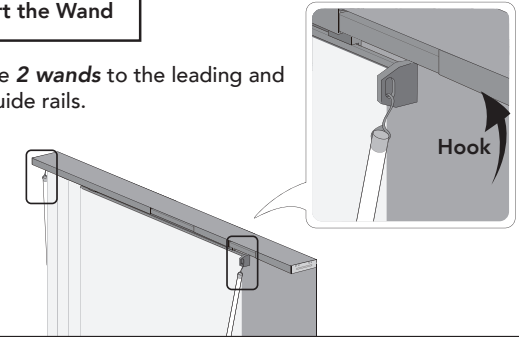
4 Attach the Panels

Attach **fabric panel** pre-installed guide rails of the track using durable **Velcro**. Starting with the end guide rail is recommended.



5 Insert the Wand

Attach the **2 wands** to the leading and ending guide rails.

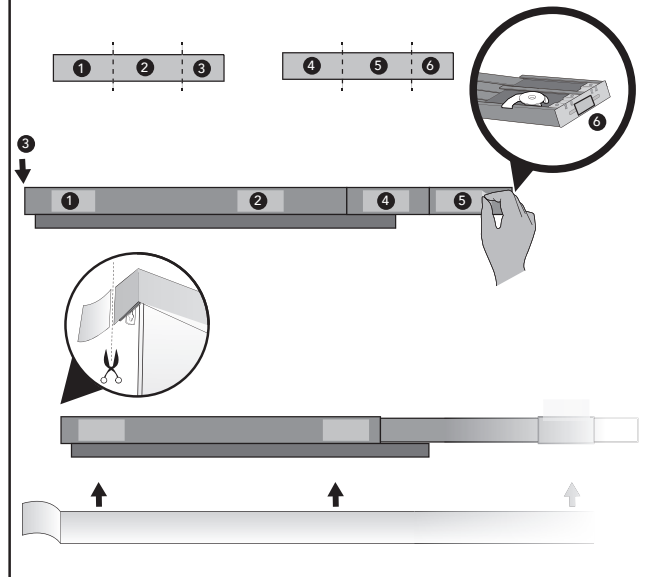


6 Attach the optional Valance

Cut-out 6 individual strips of **double-sided adhesive**. Peel off the protective film from the front of the **double-sided adhesives**. Place 4 strip horizontally on the **head-rail** and 1 strip each on the **side-rail**.

Firmly press the **valance** onto the **Head Rail** on all exposed adhesive parts.

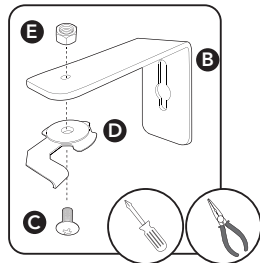
If needed, trim off the excessive **valance fabric** for a clean installation.



WALL MOUNT

1 Connect the Mounting Brackets with Wall Mount "L" Brackets

Using the "L" Bracket Connector Screws, connect the Mounting Brackets with the Wall Mount "L" Brackets and fasten them together.

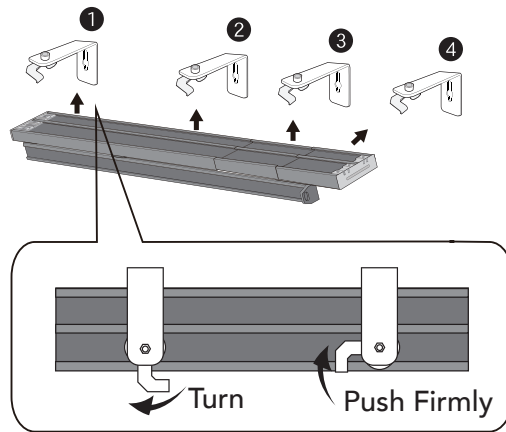


2 Attach the Mounting Brackets to the tracks

Position the Head Rail to the Brackets.

Turn the Mounting Bracket wings into the Head Rail grooves to securely mount the Head Rail onto the brackets.

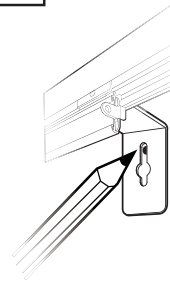
Note: Position each Mounting Bracket 4 inches from the left and right edges of the track. Position the 3rd and/or 4th Mounting Bracket to the approximate middle position of the track.



3 Make the Wall Mount "L" Bracket drill marks

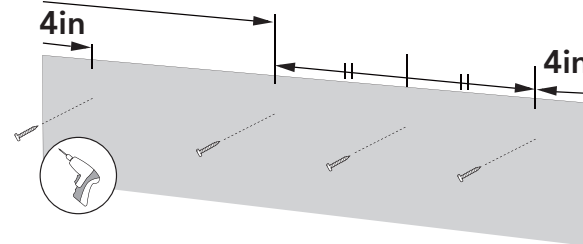
Place the Head Rail to the desired location on the wall.

Mark drill holes of where the Wall Mount "L" Brackets should be installed. Brackets must be positioned at precisely the same height. Use a steel tape measure and a level to ensure accuracy.

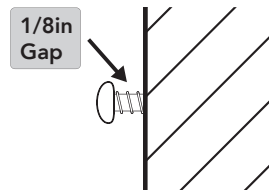


4 Setup the Wall Mount "L" Brackets with screws

Drill the Wall Bracket Screws to the marked places on the wall.



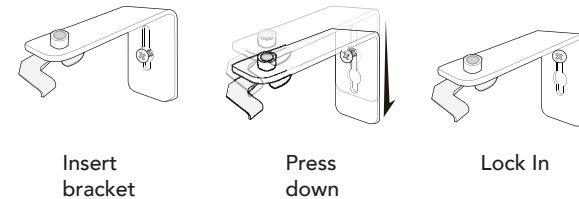
Note: Do not screw to the end. Leave 1/8 in. gap to hold the bracket.



5 Mount the Head Rail to the wall

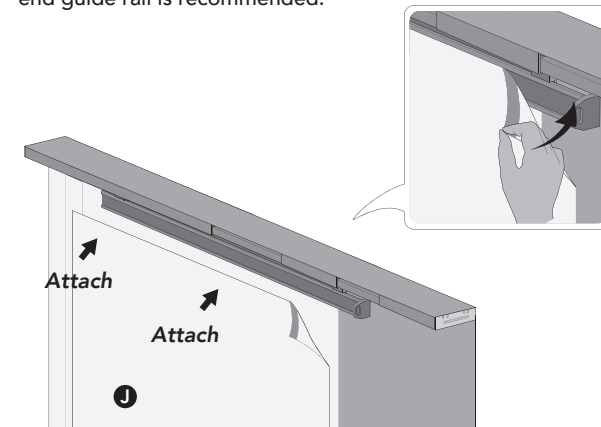
Take the Head Rail with the Wall Mount "L" Brackets installed. Insert the Wall Mount "L" Brackets to the Wall Bracket Screws to mount the Head Rail.

Be sure to press down to lock the "L" Brackets with the Wall Bracket Screws.



6 Attach the Panels

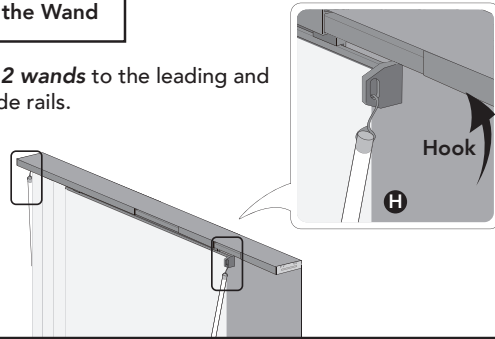
Attach fabric panels to the pre-installed guide rails of the track using durable Velcro. Starting with the end guide rail is recommended.



WALL MOUNT

7 Insert the Wand

Attach the 2 **wands** to the leading and ending guide rails.

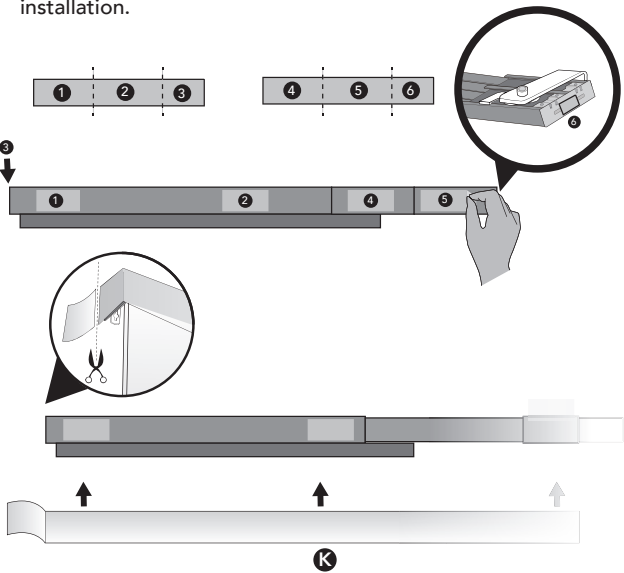


8 Attach the optional Valance

Cut-out 6 individual strips of **double-sided adhesive**. Peel off the protective film from the front of the **double-sided adhesives**. Place 4 strip horizontally on the **head-rail** and 1 strip each on the **side-rail**.

Firmly press the **valance** onto the **Head Rail** on all exposed adhesive parts.

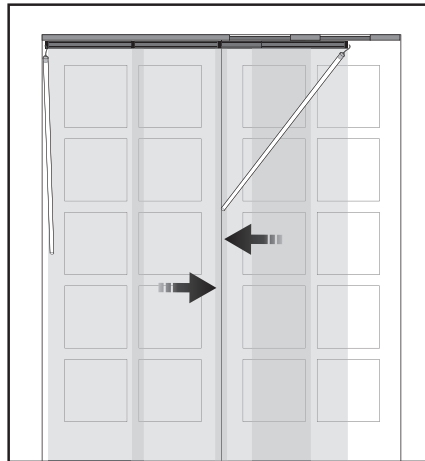
If needed, trim off the excessive **valance fabric** for a clean installation.



Quick How-to-use Guide



45 degrees is the best angle to pull your panels



Drag to open or close.