

# COOLAIR 4000

## READ AND SAVE THESE INSTRUCTIONS

You can watch  
the temperature  
go down!



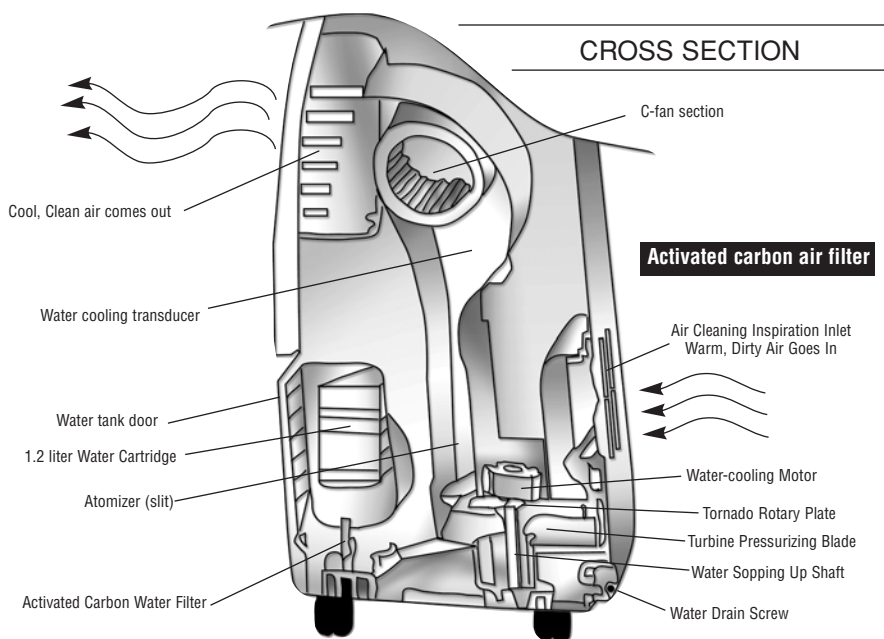
**To purchase additional IHS CoolAir 4000 units at a substantial discount,  
call 1-800-466-9973, and give the operator your Discount Code: CA4W**

## PREPARATIONS

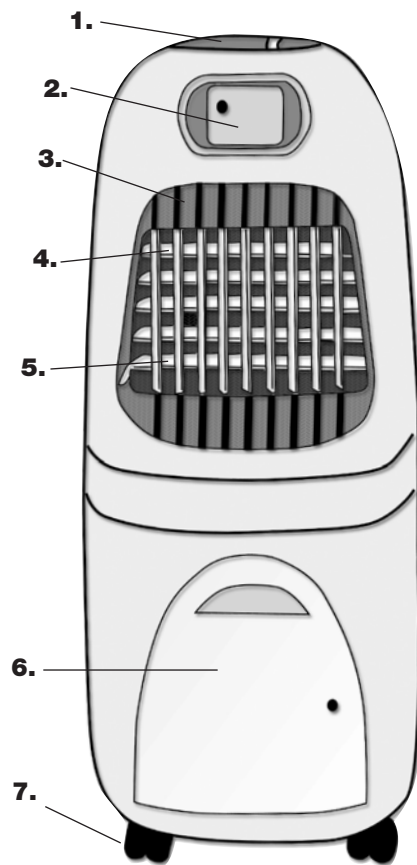
### CAUTION

Please read these instructions carefully before using this product.

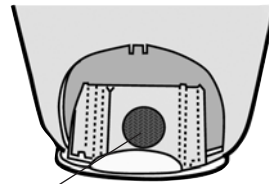
- Closely supervise any children or pets when the CoolAir 4000 is in use.
- Never use the air cooler if the cord of the appliance shows any signs of damage. Clean any dust or dirt off of plug before inserting in socket.
- Do not try to repair or disassemble cooler. Any alterations made to this air cooler will void the warranty.
- **IMPORTANT:** Do not use in an airtight room. Leave at least an 18" gap between the back of the air cooler and the wall.
- Do not place the air cooler in an unstable position. If the cooler is overturned while running, it could be greatly damaged.
- Do not place the air cooler directly in front of a heater or in sunlight as this could damage the cooler.
- Unplug the air cooler before cleaning or replacing any parts. Also unplug it if it will not be used regularly.
- Do not lean on or put heavy objects on the air cooler.
- The CoolAir 4000 is not meant for outdoor or commercial use.
- Do not put anything but clean water in the cooler.



## DESCRIPTION



1. Operating Panel-Remote Controller
2. LCD Display
3. Constant Temperature Cooled Air Outlet
4. Left/Right Direction Adjuster
5. Up/Down Air Regulation Handle
6. Water Tank Panel (inside you will find; the Water Cartridge, Cartridge Installation Outlet and Water Filter Container)
7. Wheels



9.



10.



8.

11.

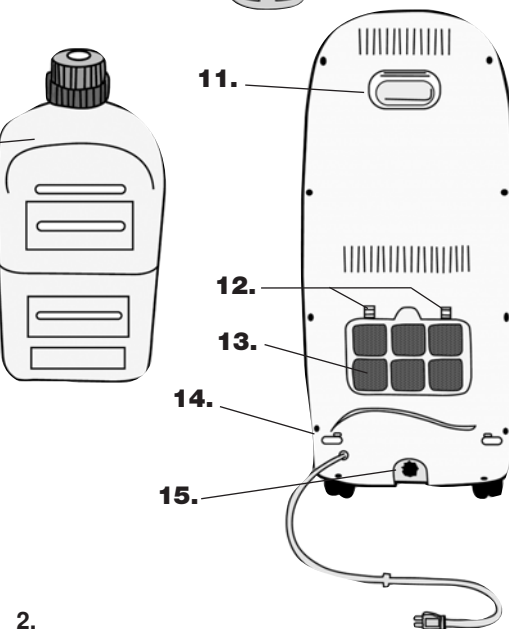
12.

13.

14.

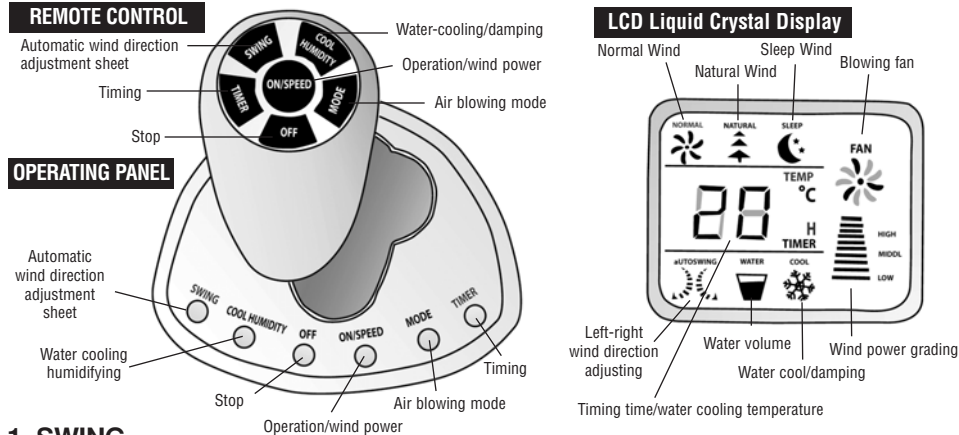
15.

8. 1.2 liter Water Cartridge
9. Cartridge Installation Outlet
10. Water Filter Container
11. Handle
12. Filter Load/Unload Handle
13. Activated Carbon Air Filter
14. Cord Winding Handle
15. Drain Screw



2.

# FUNCTIONS



## 1. SWING

Automatic wind direction adjustment - Press once on this button or on the remote control, the air will move left-right with a range of about a 70° and up/down at 110°. Press the button again and it will stop and blow cool air in one stationary position. The AUTO SWING light will be activated when in this left-right action mode.

## 2. COOL/HUMIDITY

This is the cooling/humidifying function. You must insert the water cartridge (see next page) to activate this function properly. When this button is pushed the COOL icon and WATER icon will light up. This indicates the water is being atomized to cool the air. If there is no water in the cartridge, the electronic buzzer will give a 10 second warning before the unit stops using the water-cooling function. It takes about 2 minutes for the temperature display to begin lowering gradually.

## 3. OFF

When pressed, your air cooler will shut off. Be sure to pull the power supply plug from the outlet when not in use.

## 4. ON/SPEED

This button controls the speed of the fan. The FAN icon will light up and so will the wind power grade function displaying the level you desire, low, medium, or high.

## 5. MODE

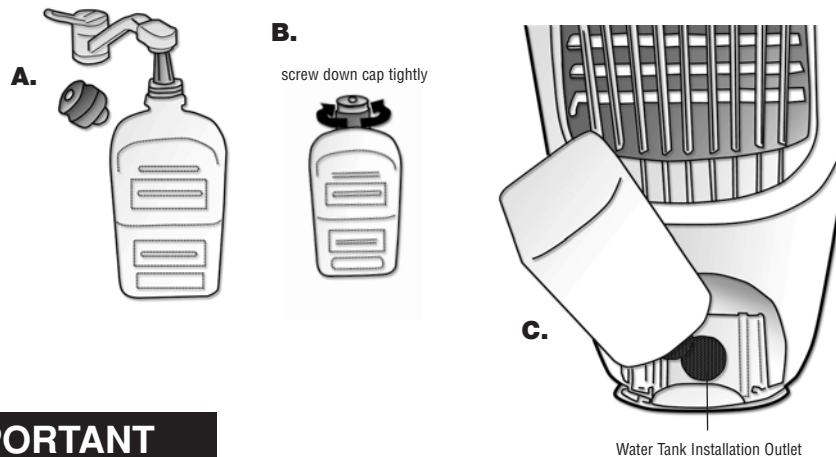
This button controls the concentration of the atomization function. There are three modes you can operate with this single button - Normal Wind, Natural Wind and Sleep Wind. Use the NORMAL for the highest temperature. The NATURAL is not quite as concentrated and the SLEEP cycle is for evening hours or while you are sleeping. The SLEEP mode is the least concentrated mode, meaning the atomization is only happening sporadically.

## 6. TIMER

By pressing this button you may put your air cooler on a timer within the range of 30 minutes to 9.5 hours. The timer goes up in increments of .5 hours. Keep pressing until the amount of time you desire is displayed on the screen. After the time is set, the display will alternately display time remaining and water-cooling temperature.

## INSTRUCTIONS

1. Remove the air cooler from its packaging. Save packaging for storage.
2. Make sure the drainage bolt on the back is tight.
3. If using the remote control, open battery cover of the remote and insert two “AA” batteries, in correct positions.
4. If the evaporative cooling function is desired:
  - A. Fill up water cartridge in (fig. A)
  - B. Screw down cap in (fig. B)
  - C. Fit water cartridge onto its installation outle in (fig. C)
  - D. Press the ON/SPEED and the water cooling COOL/HUMIDITY button



## IMPORTANT

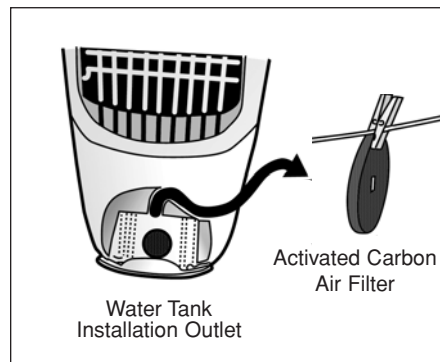
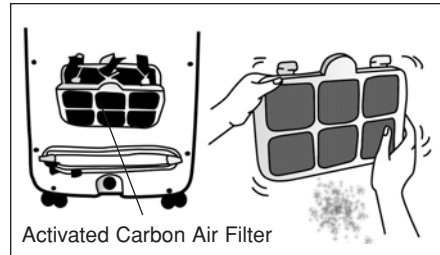
1. Always use only clean cool water, unless using for humidifying purposes in winter, when warm water is best. Do not allow the same water to stay in the air cooler for extended periods. It is recommended that any water left in the air cooler for 3 or more days of non-use be drained away via the drain plug in the back. To remove any residual water in machine, tip machine forward and back.
2. Do not operate machine with water tank door open.
3. When moving the air cooler from room to room, it is recommended to remove water cartridge to avoid any leakage.
4. For maximum efficiency when using the air cooler function, make sure the room is ventilated with a window open. Keep the back of the air cooler away from walls or curtains so air flow is unimpeded. Also keep furniture and other objects away from the front of the blowing outlet for maximum cooling effect.

## CLEANING

**Please be sure to unplug the cooler when you are cleaning the filters or if it is not in use for several hours.**

### Maintenance of Filters

1. Cleaning activated carbon air filters
  - a. Press the filter handles to release the filter. (see fig. at right)
  - b. Shake filter over waste can to remove dust and dirt.
  - c. After cleaning, replace it by attaching at the bottom.
2. Cleaning activated carbon water filter
  - a. Open Water Tank panel. Remove Water Cartridge. Use small pliers to remove Carbon Filter from Carbon Filter Container.
  - b. Rinse filter in water thoroughly and dry naturally. Return to Water Filter Container.



### IMPORTANT

1. For best air purifying, clean air filter after approximately 180 hours of use.
2. Do not clean both filters at the same time.
3. Do not operate cooler without filters.
4. If you leave water in cooler for more than 3 days and a moldy smell occurs, drain off all water and let it completely air dry in a well ventilated place with no direct sunlight. Also rinse out the water filter.

### 3. Maintenance of Air Cooling Machine

Wipe dust or dirt from the machine with a soft, wet cloth. For a stubborn stain, use nonabrasive detergent.

### 4. Maintenance before storage.

Remove water cartridge. Inject some water into water tank and rock gently, then let all water out through drain. Let air dry naturally.

If storing, make sure filters are in place, tighten drainage screws and store in a well ventilated area. The shipping carton is ideal for storage.

## SPECIFICATIONS

Model No.	CoolAir 4000
Dimensions	Approx 13x13x32 inches
Weight	16.5 lbs.
Fan Speeds	3 Steps: strong - medium - weak
Maximum windpower	25m <sup>3</sup> /min 50HZ 28m <sup>3</sup> /mm 60HZ
Modes	Normal, Natural, Sleep
Timer	30 minutes - 9.5 hours
Swing Angle	left to right at a 70° angle/up and down at 110° angle
Water Capacity	Max 1.2 L
Ion	Ions generated naturally during atomization
Air cleaning function	Activated carbon air filter
Water purifying function	Activated carbon
Max power consumption	45w - 50HZ 50w-60HZ (AE100v)
Extras	Remote control - uses 2 "AA" batteries

---

**Warranty  
information  
on reverse**



INTERNATIONAL HOME SHOPPING

7800 Whipple Ave NW  
North Canton OH 44720  
1-800-466-9973

## WARRANTY

This Warranty gives you specific legal rights, and you may also have rights which vary from state to state.

If your air cooler is defective, please contact IHS. With the exception of damages resulting from IHS's failure to comply with any obligation under Federal or State Warranty Law, IHS shall NOT BE LIABLE TO THE PURCHASER OR ANY OTHER PERSON FOR ANY DAMAGES BY REASON OF INJURY TO ANY PERSON, DUE TO ANY DEFECT OR THE MALFUNCTION OF THE AIR COOLER OR ANY PART OR PARTS THERE, OR FOR ANY OTHER REASON.

Some states, however, do not allow the exclusions or limitation on incidental or consequential damages, so the above limitations or exclusion may not apply to you.

THE OBLIGATIONS OF "IHS" HEREIN ARE EXPRESSLY GRANTED IN LIEU OF ALL WARRANTIES, WHETHER EXPRESSED OR IMPLIED, INCLUDING, BUT NOT LIMITED TO, IMPLIED WARRANTIES OF MERCHANTABILITY AND FITNESS FOR A PARTICULAR PURPOSE, AND SHALL BE EFFECTIVE FOR 1 YEAR FROM THE DATE OF ORIGINAL PURCHASE OF THIS AIR COOLER.

ALL IMPLIED WARRANTIES ARE LIMITED TO THE TERM OF THE EXPRESS WARRANTY GRANTED HEREIN.

Some states do not allow limitations on how long an implied warranty lasts, so the above limitations may not apply to you.

A unit returned for repair after the warranty period or a unit that shows damage, for which IHS is not responsible, will be repaired for a reasonable charge as determined by IHS. There will be 3 attempts made to advise purchaser of the cost of repair or replacement before proceeding. All repair charges must be paid prior to return. All transportation charges and shipping expenses are the purchaser's responsibility. IHS will return the unit by the same method it received the unit.

Warrantor, IHS, hereafter (IHS), warrants to the original purchase of this Air Cooler that should it prove to be defective by any reason of improper materials or workmanship: For 1 year from the date of original purchase the warrantor shall provide the repair or replacement of the product without charge to the consumer.

**Unit not intended for commercial use.**

### Warranty Restriction:

- (a) This warranty is invalid if the factory-applied serial number has been altered or removed from the product.
- (b) This warranty does not cover cosmetic damage or damage due to acts of God, accident, misuse, abuse, negligence, or modification of or to any part of this product.
- (c) This warranty does not cover damage due to improper operation or maintenance, connection to improper voltage supply, or attempted repair by anyone other than a facility authorized by IHS.

### Warranty Service:

To obtain warranty service, consumer must:

- (a) Provide proof of purchase in the form of a Bill of Sale or receipted invoice, evidence unit is within the warranty period.
- (b) Ship the unit freight prepaid, in either its original packaging or packaging affording an equal degree of protection, to IHS.

©2007 IHS™ B-6485 BR7424R-1A-2

## International Home Shopping Warranty Registration

Please return this card within 30 days of purchase to  
activate your warranty. Thank You.

E-mail Address \_\_\_\_\_ @ \_\_\_\_\_

Firstname \_\_\_\_\_ M.I. \_\_\_\_\_ Lastname \_\_\_\_\_

Street \_\_\_\_\_ Apt.# \_\_\_\_\_

City \_\_\_\_\_ State \_\_\_\_\_ Zip code \_\_\_\_\_

Model purchased \_\_\_\_\_ Customer# \_\_\_\_\_

Date of purchase: \_\_\_\_\_

Which room are you using your CoolAir 4000 in? (check all that apply)

- Kitchen                       Bedroom                       TV Room  
 Dining Area                       Other \_\_\_\_\_

Please Check:  I understand I can purchase additional CoolAir 4000 units at a discounted price simply by calling 1-800-466-9973, and giving the operator my Discount Code: CA4W.

Send to: CoolAir Warranty, IHS, 7800 Whipple Ave NW, N. Canton, OH 44767