

T400520.1.4

Instruction Manual
Instruction Manual

Manuel d'instruction
Manuel d'instruction


Airfree®

Airfree® T 800
Airfree® T 800

Index

Safety Instructions	3
Applications	4
What Airfree® Destroys.....	4
Airfree® and Mold	4
Installing and Connecting	5
Airfree® Description	6
Technical Characteristics.....	6
How does Airfree® Work?.....	7
Frequently Asked Questions.....	7
Warranty	9
Consignes de sécurité.....	10
Utilisations	11
Ce que détruit Airfree®.....	11
Airfree® et les moisissures	11
Installation et mise en route.....	12
Description de l'Airfree®	13
Caractéristiques techniques	13
Comment fonctionne Airfree® ?	14
Foire aux questions	14
Garantie.....	16

Copyright 2015 Airfree® Produtos Electrónicos S.A. All Rights Reserved.

All rights reserved. No part of this publication may be reproduced, photocopied, transmitted, transcribed, stored in a retrieval system, or translated into any language in any form or by any means without the express prior written consent of Airfree® Produtos Electrónicos S.A.

Copyright 2015 Airfree® Produtos Electrónicos S.A. Tous droits réservés.

Tous droits réservés. Aucune partie de cette publication peut être reproduite, photocopiée, transmise, transcrite, stockée dans un système de récupération ou traduite dans n'importe quelle langue, sous quelque forme ou par quelque moyen, sans l'autorisation expresse préalable de Airfree® Produtos Electrónicos S.A.

Safety Instructions



Airfree® is not intended for use by persons (including children) with reduced physical, sensory or mental capabilities, or lack of experience and knowledge.



Do not place your Airfree® in direct contact with water or liquids as it can cause an electric a harmful shock hazard and damage to the unit itself.



Do not obstruct Airfree® air outlets with items such as towels, clothing, curtains, as it will increase heating inside the ceramic core causing the device to shut off. If such condition persists a general cut-off system will cut power supply requiring replacement of the circuit board by an authorised dealer. This incident is not covered by the Airfree® warranty.



Do not attempt to open Airfree® or touch its internal components. Do not insert any objects as it may cause electric shock. Any attempt to open or tamper Airfree® will void the warranty.



To clean Airfree®, unplug it from the electric outlet and use a dry cloth to wipe off its surface. Do not attempt to open Airfree® to clean it inside. Only Airfree® authorized dealers have the expertise and authorization to repair your Airfree®.



Always keep Airfree® in its vertical position as shown in the picture, otherwise the unit will be shut off until it goes back to the vertical position.



In the event of a return for repair, make sure Airfree® is well protected preferably inside its original box to avoid further damage. To find the nearest Airfree® dealer visit: www.airfree.com



Airfree® shall not be placed near flammable and toxic products.

If the supply cord is damaged, it must be replaced by an authorized repair centre. Please contact your Airfree® dealer.

Applications



Helps relief respiratory allergies and asthma



Children and newborn rooms



Yachts, cruisers, boats, RV's



Video, films, sound and optical equipment



Healthy rooms with pure clean air



Schools, kindergartens



Hospitals, clinics and laboratories



Offices, public buildings



Libraries, museums, archives



Kitchens and pantries food preservation



Restaurants



Hotels, motels and retire homes

What Airfree® Destroys



Mold and Mildew



Dust Mites Allergens



Organic Odors



Viruses



Pet Dander Allergens



Ozone (O3)



Bacteria



Pollens

Airfree® and Mold

Guide for Airfree® installation in mold contaminated rooms

- 1 - Install your Airfree® unit in accordance with the user manual
- 2 - Allow your unit to run for at least one week to achieve significant airborne mold spore reduction.
- 3 - Clean mold infected items and surfaces, since they are a continuous source of new spores.

It is important to stress that Airfree® will not destroy or remove mold from an infected item or surface. Those surfaces must be cleaned manually.

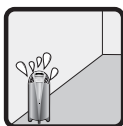
Airfree® will destroy airborne molds, spores and prevents them from contaminating other areas, inhibiting the growth of existing and new colonies.



Plug power cord into the nearest outlet. Make sure the surface is dry (never place Airfree® on wet floor or immerse it in water).



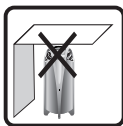
Place Airfree® on a flat surface not exceeding 3' from the floor, not under furniture, shelves, or behind curtains as it will reduce airflow and Airfree® efficiency in reducing microorganisms.



Check if the area is compatible with the unit capacity to achieve best unit performance.



Airfree® must be continuously on in the same room, 24 hours a day.



Airfree® is to be used in rooms with minimum air volume of 330 ft³.



Airfree® can be installed in rooms equipped with air conditioning and heating systems. However it is recommended not to place nearby to avoid potential interference in Airfree® air flow.



Airfree® can be placed in corridors but its air sterilization effects will barely have any effect in connecting rooms.



Airfree® shall not be placed near doors or under windows to avoid sterilized air to exit the room.

Airfree® Description

1- Air Outlets

2- On/Off Led

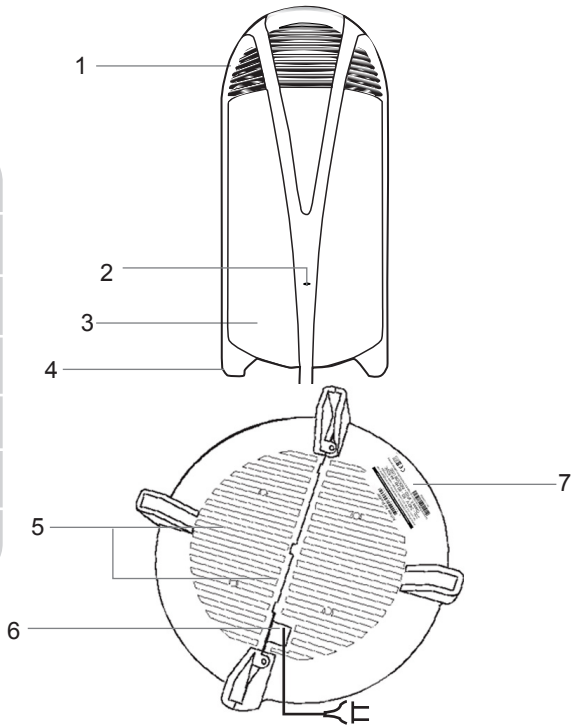
3- Side Shells

4- Air Inlets

5- Base

6- Power Cord

7- Serial Number

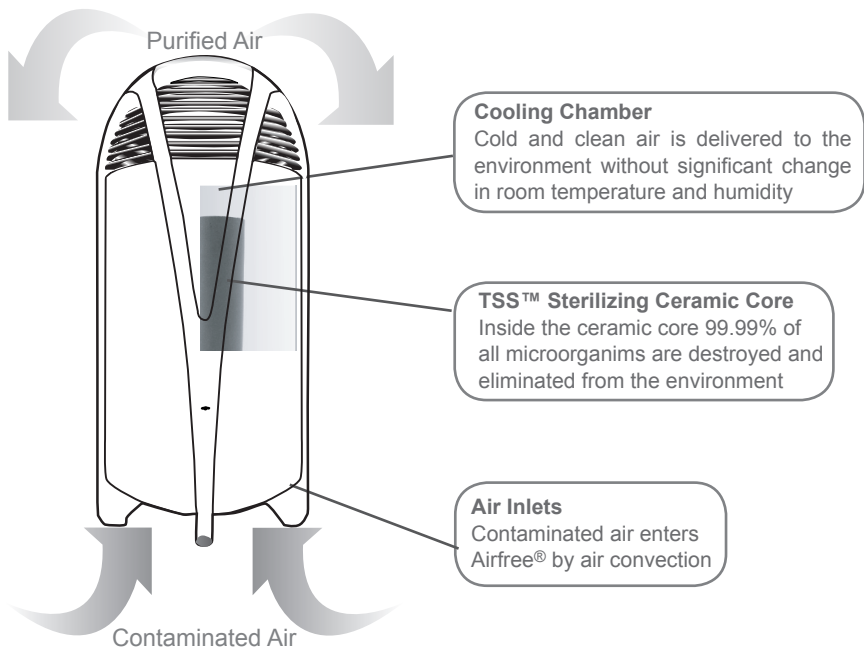


Technical Characteristics



Model	T 800
Capacity	180 ft ²
Electric Consumption	33W
Voltage	110V - 127V
Noise	Totally Silent
Weight	1.5 lb
Dimensions	Height: 11. in Ø 5.1 in

How does Airfree® Work?



How Airfree® works?

Contaminated air silently enters Airfree® by air convection and is sterilized inside Airfree® patented TSS™ ceramic core where all microorganisms are destroyed at high temperatures with meaningless heat contribution to the room. Regardless of how hazardous a virus, fungus or bacteria might be they are fully destroyed by the powerful heat inside the TSS™ ceramic core mini ducts. The heat inside the ceramic core forces sterilized air up to the heat exchanger causing air convection, which generates negative pressure underneath the ceramic core, so contaminated air is “sucked” in at Airfree® bottom air inlets in a continuous silent, and efficient air flow. Every time air passes through the TSS™ ceramic core corrosive ozone is reduced in 26%.

Frequently Asked Questions

1. Are there any side effects?

No. Airfree's new technology uses heat to purify the air with meaningless heat contribution to the room. No side effects, no emissions, NO IONS, nor new particles are generated. Airfree® can be used in homes and offices, quietly, constantly, and efficiently purifying the air.

2. Can I install Airfree® in my walking closet ?

Yes, as long as it has at least 330 ft³. Airfree® should not be placed under shelves or its efficiency will be reduced.

3. Can I use Airfree® in air conditioned rooms?

Yes.

4. How do I know if Airfree® is no longer working?

Check the top lid, if it is warm Airfree® is working.

5. Can I place Airfree® at the corridor to reach adjacent rooms?

No. Airfree® will just reduce air pollution in the corridor's area.

6. Can I place Airfree® in a closed room?

Yes. Please remember such a room must have at least 330 ft³.

7. Can I change Airfree® from one room to another?

Airfree® must always be plugged in the same room 24 hours a day. Airfree's patented technology works gradually and cannot have its cycle interrupted. Moving it from one room to another will interrupt the cycle and will contaminate the room. See question 13 below.

8. Should I turn off Airfree® when I leave house?

No. Airfree® must be always on.

9. What happens if Airfree® is disconnected or there was a black out?

Airfree® will take approximately the same time to recover the previous reduced contamination level.

10. Does CADR measure the effectiveness of the Airfree®?

Not at all. CADR is not designed to test the Airfree® technology. The AHAM seal (usually found on the back of an air cleaner's box) lists three Clean Air Delivery Rate (CADR) numbers: one for tobacco smoke, one for pollen and one for dust. The CADR indicates volume of filtered air delivered by an air cleaner. The reason why CADR is not designed for Airfree® is because Airfree® does not filter but destroys microorganisms instead, such reduction of bacteria, molds, viruses and other microorganisms can only be measured after air sample incubation in a microbiology lab. Airfree® destroys (not trap or attract to other surface) any microorganism regardless of how small they might be. 99.99% of all microorganisms are fully destroyed when passing through the Airfree® patented ceramic core.

11. Does Airfree® eliminate bacteria and viruses?

Yes. Unlike the air filters in the market Airfree® is more efficient with the smallest microorganisms as they are easily carried by Airfree's airflow into the sterilizing TSS™ ceramic core. Please check the independent bacteria and virus tests at our website.

12. How does Airfree® destroy dust mites?

Mold reduction in the environment causes reduction in the mold dependant dust mite population. Airfree® also destroys the harmful toxins and fungus freed into the air by dust mite feces and skeletons that trigger respiratory allergies and asthma.

13. How does Airfree® eliminate fungi and molds?

As mentioned before, Airfree® eliminates airborne microorganisms there included molds, fungi and spores. By eliminating spores new mold colonies are unlikely to develop, representing less future airborne mold spores. Please check the independent mold tests at our website.

14. Does Airfree® reduce tobacco smell?

Yes, Airfree® reduces any kind of organic smell in the ambience including tobacco.

15. How does Airfree® destroy viruses?

Those microscopic microorganisms are easily eliminated inside Airfree's ceramic core capillaries. Contrary to other technologies the smallest the microorganisms the easiest they are destroyed inside the TSS™ ceramic core capillaries. Please check the independent virus test at our website.

16. Does Airfree® make any humidity level change in the room?

No.

17. Does Airfree® release any gas or chemical product?

No. Airfree's sterilization process is natural. Please check our website for conclusive tests regarding particles and ozone.

18. Does Airfree® heat up a room?

No. Airfree® does not make any noticeable increase in the room temperature. Just for comparison two Airfree® devices plugged in the same room will contribute as much heat as one 155 lb adult.

19. Does Airfree® need filter replacement?

No.

20 - Where do the microorganisms go after they are destroyed?

All living microorganisms are basically composed by carbon, oxygen an nitrogen. Since Airfree® reaches nearly 400 °F, all the components decompose into carbone dioxide (the same product released by our respiration) and water. Some carbon (or microscopic ashes) may remain inside the device or over the top lid during the process. It should be noted that all happens in a microscopic level, so all those residues are a very small fraction of the microorganisms original microscopic size, in other words menaingless.

Warranty

This product is warranted by AIRFREE® PRODUCTS, to the original purchaser to be free from defects in material and workmanship under proper use for a period of two years from date of purchase.

During this period, and upon purchase presentation of purchase invoice, this product will be repaired or replaced with same or similar model without charges for parts or labor at distributor address. To be eligible for the warranty, please register at www.airfree.com or complete your warranty card at the time of purchase and mail it to the distributor. To obtain warranty service, please send the device with sales receipt or invoice to the distributor.

This warranty does not apply to a product that has been misused, abused, or altered without limiting the aforementioned, bending or dropping the unit, defects in the house electrical installation or fluctuating power levels that are considered to be defects resulting from misuse or abuse.

AIRFREE® PRODUCTS and its affiliates or wholesalers do not make any specific claim as to medicinal uses of this product nor does the manufacturer warrants that the equipment prevents diseases.

NEITHER THIS WARRANTY NOR ANY WARRANTY, EXPRESSED OR IMPLIED, INCLUDING IMPLIED WARRANTIES OR MERCHANTABILITY, SHALL EXTEND BEYOND THE WARRANTY PERIOD. NO RESPONSIBILITY IS ASSUMED FOR ANY INCIDENTAL OR CONSEQUENTIAL DAMAGES, INCLUDING WITHOUT LIMITATION DAMAGES, SOME STATES DO NOT ALLOW LIMITATION ON HOW LONG AN IMPLIED WARRANTY LASTS; SOME STATES DO NOT ALLOW THE EXCLUSION OR LIMITATION OF INCIDENTAL OR CONSEQUENTIAL DAMAGES, SO THE ABOVE LIMITATIONS OR EXCLUSIONS MAY NOT APPLY TO YOU.

AIRFREE® PRODUCTS HEREBY SPECIFICALLY DISCLAIMS ALL EXPRESSED WARRANTIES NOT OTHERWISE SET FORTH HEREIN AND ANY IMPLIED WARRANTIES OR MERCHANTABILITY OR IMPLIED WARRANTIES FOR FITNESS FOR A PARTICULAR PURPOSE. THERE ARE NO WARRANTIES WHICH EXTEND BEYOND THE DESCRIPTION OF THE FACE HEREOF. This warranty gives you specific legal rights; you may have other rights, which vary from state to state, and country to country.

* AIRFREE® PRODUCTS, Rua Julieta Ferrão 10, 9th Floor, 1600 -131 Lisbon, Portugal

-Phone: 351 - 213 156 222

-Fax: 351 - 213 516 228

-Web: www.airfree.com

-Email: info@airfree.com

Consignes de sécurité



Airfree® n'est pas prévu pour une utilisation par des personnes (enfants compris) avec des capacités physiques, sensorielles ou mentales réduites, ou manque d'expérience et de connaissances.



Ne pas placer votre Airfree® en contact direct avec l'eau ou des liquides, car il peut causer un choc électrique dangereux pour vous et votre famille et endommager l'appareil lui-même.



Ne pas obstruer les sorties d'air Airfree® avec des objets comme des serviettes, des vêtements, des rideaux, car cela augmentera la chaleur à l'intérieur du noyau en céramique ce qui éteindra l'appareil. Si cette condition persiste un système de coupure générale arrêtera l'alimentation nécessitant le remplacement du circuit imprimé par un revendeur agréé. Cet incident n'est pas couvert par la garantie Airfree®.



Ne pas essayer d'ouvrir Airfree® ou de toucher ses composants internes. Ne pas insérer d'objets car cela pourrait causer un choc électrique. Toute tentative d'ouvrir ou de modifier Airfree® annulera la garantie.



Pour nettoyer Airfree®, le débrancher de la prise électrique et utiliser un chiffon sec pour essuyer sa surface. Ne pas essayer d'ouvrir Airfree® pour le nettoyer à l'intérieur. Seuls des revendeurs Airfree® agréés ont l'expertise et l'autorisation de réparer votre Airfree®.



Gardez toujours Airfree® dans sa position verticale, comme indiqué dans l'image, sinon l'appareil s'arrête jusqu'à ce qu'il revienne à la position verticale.



Dans le cas d'un retour pour réparation, s'assurer que Airfree® soit bien protégé de préférence à l'intérieur de sa boîte d'origine pour éviter des dommages supplémentaires. Pour trouver le revendeur Airfree® le plus proche, visiter: www.airfree.com.



Airfree® ne doit pas être placé près de produits inflammables et toxiques.

Si le cordon d'alimentation est endommagé, il doit être remplacé par un centre de réparation agréé. Merci de contacter votre revendeur Airfree®.

Utilisations



Aide à soulager les voies respiratoires allergies et asthme



Hôpitaux, cliniques et laboratoires



Chambres des enfants et nouveaux-nés



Bureaux, bâtiments publics



Yachts, croiseurs, bateaux, RV's



Bibliothèques, musées, archives



Vidéo, films, sons et matériel optique



Cuisines et chambres de conservation des denrées alimentaires



Chambres saines avec air pur et propre



Restaurants



Écoles, jardins d'enfants



Hôtels, motels et maisons de retraite

Ce que détruit Airfree®



La moisissure



Acariens allergènes



Odeurs organiques



Virus



Les squames d'animaux allergènes



Ozone (O₃)



Bactéries



Pollens

Airfree® et les moisissures

Guide d'installation d'Airfree® dans une pièce contaminée par la moisissure.

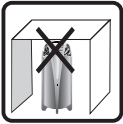
- 1- Installez votre appareil conformément au guide de l'utilisateur;
- 2- Laissez votre appareil en fonctionnement au moins une semaine pour permettre une réduction significative du niveau de spores dans l'air;
- 3- Nettoyez les éléments et surfaces infectées par la moisissure car ils représentent une source continue d'émission de spores.

Il est important de noter que Airfree® ne détruit pas la moisissure des éléments et surfaces infectés. Ceux-ci doivent être nettoyés manuellement.

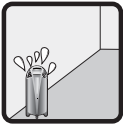
Installation et mise en route



Brancher le cordon d'alimentation dans la prise de courant la plus proche. S'assurer que la surface est sèche (ne jamais placer Airfree® sur un sol humide ou l'immerger dans l'eau).



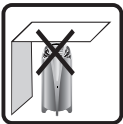
Placer Airfree® sur une surface plane ne dépassant pas une hauteur de 75 cm du sol, ne pas le placer sous un meuble, des étagères, ou derrière des rideaux, car cela réduira la circulation d'air et l'efficacité d'Airfree® en réduisant les micro-organismes.



Vérifier si la zone est compatible avec la capacité de l'appareil pour obtenir les meilleures performances de l'appareil. Utilisation Airfree® dans des pièces plus grandes par rapport à sa capacité réduira considérablement sa capacité de purification.



Airfree® doit être en marche en permanence dans la même pièce, 24 heures par jour.



Airfree® doit être utilisé dans les pièces dont le volume d'air minimale de 10 m³.



Airfree® peut être installé dans des pièces équipées avec la climatisation et des systèmes de chauffage. Toutefois, il est recommandé ne pas de le placer à proximité pour éviter toute interférence avec la circulation d'air Airfree®.



Airfree® peut être placé dans des couloirs mais l'efficacité de la stérilisation de l'air n'aura que très peu d'effet dans les pièces communicantes.



Airfree® ne doit pas être placé près des portes ou sous des fenêtres afin d'éviter que l'air stérilisé/purifié quitte la pièce.

1- Couvercle supérieur

2- Led

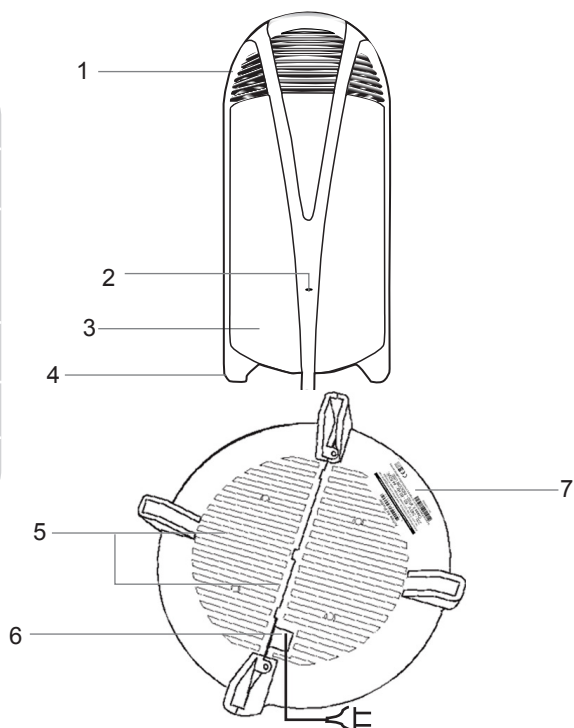
3- Carcasse latérale

4- Base

5- Entrées d'air

6- Cordon d'alimentation

7- Numéro de Série

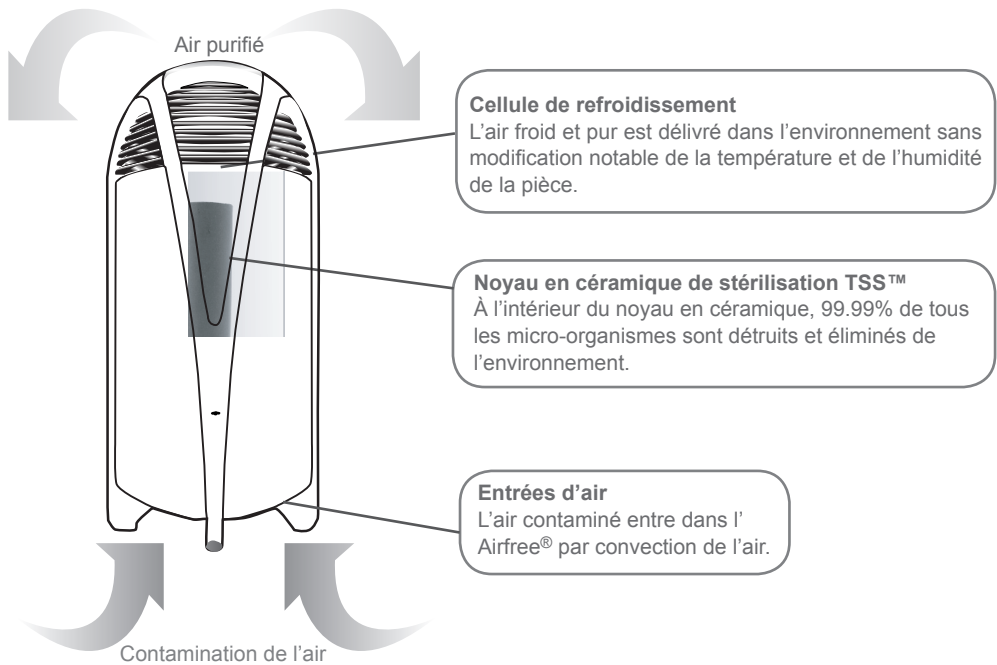


Caractéristiques techniques



Modèle	T 800
Capacité	16 m ²
Électrique Consommation	33 W
Tension	220V - 240V
Bruit	Totalement silencieux
Poids	0.7 kg
Dimensions	Hauteur: 30 cm Ø: 13 cm

Comment fonctionne Airfree® ?



Comment Airfree® fonctionne?

L'air contaminé entre dans l'Airfree® par convection de l'air et il est stérilisé dans le noyau en céramique TSS™ breveté d'Airfree® où tous les micro-organismes sont détruits à hautes températures avec un apport insignifiant de chaleur dans la pièce. Peu importe comment les virus, les champignons ou les bactéries peuvent être dangereux, ils sont entièrement détruits par la chaleur puissante à l'intérieur des mini-conduits du noyau en céramique TSS™. La chaleur à l'intérieur du noyau en céramique envoie l'air stérilisé dans l'échangeur de chaleur provoquant la convection de l'air, qui génère une pression négative sous le noyau en céramique, donc l'air contaminé est « aspiré » par les entrées d'air du bad d'Airfree® par une circulation d'air continue, efficace et silencieuse. Chaque fois que l'air passe à travers le noyau en céramique TSS™, l'ozone corrosif est réduit à 26%.

Foire aux questions

1. Y a-t-il des effets secondaires?

Non. La nouvelle technologie Airfree® utilise la chaleur pour purifier l'air sans apport de chaleur notable dans la pièce. Aucun effet secondaire, aucune émission, AUCUN ION, ni aucune nouvelle particule n'est générée. Airfree® peut être utilisé dans les maisons et les bureaux, silencieusement, en permanence et efficacement pour purifier l'air.

2. Puis-je installer Airfree® dans mon dressing?

Oui, tant qu'il est d'au moins 10 m³. Airfree® ne doit pas être placé sous des étagères car son efficacité sera réduite.

3. Puis-je utiliser Airfree® dans des pièces climatisées?

Oui.

4. Comment puis-je savoir si Airfree® ne fonctionne plus ?

Vérifier le couvercle supérieur, s'il est chaud Airfree® fonctionne.

5. Puis-je placer Airfree® dans un couloir pour atteindre les pièces adjacentes?

Non. Airfree® ne réduira uniquement que la pollution de l'air dans la zone du couloir.

6. Puis-je placer Airfree® dans une pièce fermée ?

Oui. Veiller à ne pas oublier qu'une telle pièce doit être d'au moins 10 m³.

7. Puis-je changer Airfree® d'une pièce à une autre ?

Airfree® doit toujours être branché dans la même pièce 24 heures par jour. La technologie brevetée d'Airfree fonctionne progressivement et son cycle ne peut pas être interrompu. Le déplacer d'une pièce à l'autre interrompra le cycle et la pièce recommencera à être contaminée.

8. Dois-je éteindre Airfree® lorsque je quitte la maison ?

Non. Airfree® doit toujours être allumé.

9. Que se passe-t-il si Airfree® est déconnecté ou s'il y avait une panne de courant ?

Airfree® prendra environ le même temps pour recouvrer le précédent niveau réduit de contamination.

10. CADR mesure-t-il l'efficacité du Airfree® ?

Pas du tout. CADR n'est pas conçu pour tester la technologie Airfree®. Le sceau de l'AHAM (qui se trouve habituellement sur l'arrière de la boîte à filtre à air) répertorie trois numéros du Clean Air Delivery Rate (CADR): un pour la fumée de tabac, un pour le pollen et un pour la poussière. Le CADR indique le volume d'air filtré, envoyé par un filtre à air. La raison pour laquelle CADR n'est pas conçu pour Airfree® est que Airfree® ne filtre pas, mais détruit les micro-organismes, qui fait que cette réduction des bactéries, des moisissures, des virus et des autres micro-organismes ne peut être mesurée que par l'incubation d'un échantillon d'air dans un laboratoire de microbiologie. Airfree® détruit (ne piège pas ou n'attire pas sur d'autre surface) les micro-organismes aussi petits qu'ils puissent être. 99.99% de tous les micro-organismes sont entièrement détruits lors du passage du noyau en céramique breveté Airfree®.

11. Airfree® élimine-t-il les bactéries et les virus ?

Oui. À la différence des filtres à air sur le marché Airfree® est plus efficace avec les plus petits micro-organismes car ils ont plus facilement transportés par la circulation d'air d'Airfree dans le noyau en céramique stérilisant TSS™. Veiller à vérifier les test indépendants pour les bactéries et les virus sur notre site internet.

12. Comment Airfree® détruit les acariens ?

La réduction de la moisissure dans l'environnement entraîne la réduction de la moisissure liée à la population des acariens. Airfree® détruit également les toxines nocives et les champignons libérés dans l'air par les excréments et les squelettes d'acariens qui déclenchent des allergies respiratoires et l'asthme.

13. Comment Airfree® élimine-t-il les champignons et les moisissures ?

Comme mentionné précédemment, Airfree® élimine les micro-organismes en suspension dans l'air tels que les moisissures, les champignons et les spores. En éliminant les spores, les nouvelles colonies de moisissure sont peu susceptibles de se développer, ce qui représente moins de futures moisissures en suspension dans l'air. Veiller à vérifier les test indépendants pour les bactéries et les virus sur notre site internet.

14. Airfree® réduit-il l'odeur de tabac ?

Oui, Airfree® réduit tout type d'odeur organique dans l'ambiance, y compris le tabac.

15. Comment Airfree® détruit-il les virus ?

Ces micro-organismes microscopiques sont facilement éliminés à l'intérieur des capillaires centrales d'Airfree en céramique. Contrairement à d'autres technologies, plus les micro-organismes sont petits, plus ils sont faciles à détruire à l'intérieur des capillaires centrales en céramique du TSS™. Veiller à vérifier les test indépendants pour les bactéries et les virus sur notre site internet.

16. Airfree® produit-il des changements du niveau d'humidité dans la pièce ?

Non.

17. Airfree® libère-t-il des gaz ou des produits chimiques ?

Non. Le procédé de stérilisation Airfree est naturel. Veiller à consulter notre site internet pour les tests concluants concernant les particules et l'ozone.

18. Airfree® chauffe-t-il la pièce ?

Non. Airfree® ne produit aucune augmentation notable de la température de la pièce. Juste pour comparaison deux appareils Airfree® branchés dans la même pièce produiront autant de chaleur autant de chaleur qu'un adulte de 70 kg.

19. Est-ce que Airfree® a besoin de filtre de remplacement ?

Non.

20 - Où vont les micro-organismes après leur destruction ?

Tous les micro-organismes vivants sont essentiellement composées de carbone, d'oxygène et d'azote. Puisque Airfree® atteint près de 200 °C, tous les composants se décomposent en dioxyde de carbone (le même produit libéré par notre respiration) et en eau. Certains carbonés (ou cendres microscopiques) peuvent rester à l'intérieur de l'appareil ou sur le couvercle pendant le processus. Il est à noter que tout se passe à une échelle microscopique, donc tous ces résidus sont une très petite fraction de la taille microscopique originale des micro-organismes, c'est-à-dire insignifiants.

Garantie

Ce produit est garanti par AIRFREE® PRODUCTS, à l'acheteur original, comme exempt de défauts de matériaux et de fabrication sous bonne utilisation pour une période de deux ans à compter de la date d'achat. Pendant cette période, et sur présentation de la facture d'achat comme preuve d'achat, ce produit sera réparé ou remplacé par un modèle identique ou similaire, sans frais pour les pièces ou la main-d'œuvre, à l'adresse du distributeur. Pour avoir droit à la garantie, merci de vous inscrire sur www.airfree.com ou de bien vouloir remplir votre carte de garantie au moment de l'achat et de la poster au distributeur. Pour obtenir le service de garantie, veuillez envoyer l'appareil avec le ticket de caisse ou la facture, au distributeur. Cette garantie ne s'applique pas à un produit qui a été mal utilisé, abusé ou altéré, sans limite de ce qui précède, a été plié ou lancé, et ayant subi les anomalies de l'installation électrique de la maison ou des niveaux de puissance fluctuant qui sont considérés comme des défauts résultant d'une mauvaise utilisation ou d'un abus.

AIRFREE® PRODUCTS ainsi que ses sociétés affiliées et ses grossistes ne font pas de revendication particulière quant à des usages médicaux de ce produit, pas plus que le fabricant ne garantit que l'équipement prévient des maladies.

NI CETTE GARANTIE, NI AUCUNE GARANTIE, EXPLICITE OU IMPLICITE, TELLES QUE LES GARANTIES IMPLICITES OU DE VALEUR MARCHANDE, NE DOIT DÉPASSER LA PÉRIODE DE GARANTIE. AUCUNE RESPONSABILITÉ N'EST ASSUMÉE POUR TOUT DOMMAGE DIRECT OU INDIRECT, Y COMPRIS, SANS LIMITATION DE DOMMAGE, CERTAINS ÉTATS N'AUTORISENT PAS LA LIMITATION SUR LA DURÉE D'UNE GARANTIE IMPLICITE ; CERTAINS ÉTATS N'AUTORISENT PAS L'EXCLUSION OU LA LIMITATION DES DOMMAGES DIRECTS OU INDIRECTS, DONC LES LIMITATIONS OU EXCLUSIONS CI-DESSUS PEUVENT NE PAS VOUS CONCERNER.

AIRFREE® PRODUCTS EXCLUT SPÉCIFIQUEMENT TOUTE GARANTIE EXPLICITE NON DÉCRITE AUTREMENT DANS LE PRÉSENT DOCUMENT AINSI QUE TOUTE GARANTIE IMPLICITE OU DE VALEUR MARCHANDE VISANT À S'ADAPTER À UN USAGE PARTICULIER. IL N'Y A AUCUNE GARANTIE QUI EST PROPOSÉE AU-DELÀ DE LA DESCRIPTION DONNÉE. Cette garantie vous donne des droits légaux spécifiques, et vous pouvez disposer d'autres droits, qui varient selon les états, et les pays.

* AIRFREE® PRODUCTS, Rua Julieta Ferrão 10, 9th Floor, 1600 -131 Lisbon, Portugal

-Téléphone.:351 - 213 156 222

-Fax:351 - 213 516 228

-Web: www.airfree.com

-Courriel: info@airfree.com