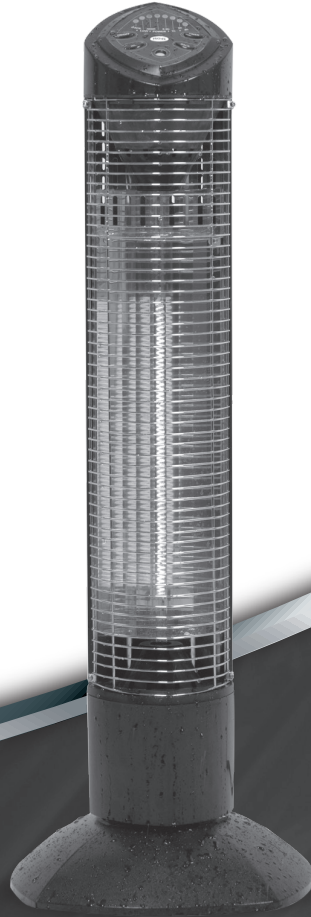




HEA-900
EDENPURE
INDOOR/OUTDOOR
ALL SEASON
INFRARED HEATER



USER MANUAL

EdenPURE[®]

PLEASE READ THIS MANUAL CAREFULLY BEFORE OPERATION.





ALL SEASON INFRARED HEATER

Eden®





CONTENT

CONTENT

1. Important instructions	4
2. Safety warnings	6
3. Parts description	10
4. Heater assembly	11
5. Operation	13
6. Troubleshooting	15
7. Warranty	15





1. IMPORTANT INSTRUCTIONS

Before using your EdenPURE All Season Infrared Heater, please read this owner's manual carefully. Store this manual in a safe place for future reference.

1. Please read all the following instructions before using the EdenPURE All Season Infrared Heater.
2. CAUTION: Risk of electric shock. DO NOT open or try to repair the EdenPURE All Season Infrared Heater yourself.
3. The EdenPURE All Season Infrared Heater is hot when in use. To avoid burns, DO NOT let bare skin touch hot surfaces. If provided, use handles when moving the EdenPURE All Season Infrared Heater.
4. Keep combustible materials, such as furniture, pillow, bedding, paper, clothes and curtains at least 3 feet from the front of the EdenPURE All Season Infrared Heater and keep them away from the sides and rear. DO NOT place towels or other objects on the EdenPURE All Season Infrared Heater.
5. Some fundamental rules must be observed when using the EdenPURE All Season Infrared Heater:
 - Do not touch the heater with wet hands.
 - Do not handle with bare feet.
 - Do not pull on the electric cord or the device itself to unplug it from the socket; pull the plug directly.
 - Do not let children use the EdenPURE All Season Infrared Heater without supervision.
6. DO NOT operate the EdenPURE All Season Infrared Heater if:
 - The AC cord is damaged
 - After a heater malfunction
 - The EdenPURE All Season Infrared Heater has been dropped or damaged in any manner.In these cases, please **call our customer service at 1-800-895-0008**.
7. The EdenPURE All Season Infrared Heater is not intended for use in bathrooms, laundry areas and similar indoor locations. NEVER locate the EdenPURE All Season Infrared Heater where it may fall into a bathtub or any other water container. To protect against electrical hazards, DO NOT immerse the EdenPURE All Season Infrared Heater in water or other liquids.
8. DO NOT touch the control panel or AC connector with wet hands.
9. DO NOT run the AC cord under carpeting. DO NOT cover the AC cord with throw rugs, runners, or similar coverings. Arrange the AC cord away from traffic area where it will not be tripped over.
10. DO NOT insert or allow foreign objects to enter any ventilation or other heater openings as this may cause an electric shock, fire or damage the EdenPURE All Season Infrared Heater.





1. IMPORTANT INSTRUCTIONS

11. To prevent a possible fire, DO NOT block air intakes or exhaust in any manner. DO NOT use the EdenPURE All Season Infrared Heater on a soft surface, like a bed, where heater openings may become blocked.
12. The EdenPURE All Season Infrared Heater gets hot. DO NOT use it in areas where gasoline, paint, explosive and/or other flammable liquids are used or stored. Keep the EdenPURE All Season Infrared Heater away from heated surfaces and open flames.
13. Avoid the use of an extension cord as much as possible because it may overheat and become a fire hazard. However, if you have to use an extension cord, the cord shall be No16AWG minimum size and rated for not less than 1125 Watts.
14. To avoid fire or shock hazard, plug the EdenPURE All Season Infrared Heater directly into a 120V AC electric outlet.
15. To disconnect the EdenPURE All Season Infrared Heater, turn controls to OFF, then remove the AC plug from the AC outlet. Pull firmly on the AC plug. DO NOT unplug by pulling the cord.
16. Always unplug the unit before moving, cleaning or whenever the EdenPURE All Season Infrared Heater is not in use.
17. Use the EdenPURE All Season Infrared Heater only for its intended household use as described in this manual. Any other use is not recommended and may cause fire, electric shock or injury to people. The use of attachments or accessories is not recommended and may cause fire hazards.
18. DO NOT attempt to repair or adjust any electrical or mechanical functions on the EdenPURE All Season Infrared Heater. Doing so will void your warranty. The inside of the unit contains no user serviceable parts. Qualified personnel should perform all servicing only. If you have any questions about this product please call customer service at 1-800-895-0008.
19. Connect to properly grounded outlets only.
20. Keep packaging materials away from children. The materials are potentially dangerous.
21. SAVE THESE INSTRUCTIONS





2. SAFETY WARNINGS

Before using your heater, read the instructions contained in this manual carefully since it contains important information concerning safety during installation, use and maintenance. The manual must be kept and given to the new user in case of transfer of ownership of the EdenPURE All Season Infrared Heater.

- This product uses a panel for heat reflection in order to increase the heating effect and its use is strictly limited to heating in or around the home. Any other use is strictly prohibited.
- The manufacturer cannot be considered responsible for any breakage or accident caused by incorrect use of the product, as established as follows (e.g. uses in industrial or commercial environments).

WARNING!

The symbols shown here represent:



Danger



Prohibition



Failure to follow the rules below could cause serious physical or material damage.



Do not hang combustible objects on the EdenPURE All Season Infrared Heater in operation, such as table cloths etc. Do not cover the EdenPURE All Season Infrared Heater when in operation.
Risk of malfunction or fire.



Do not use the EdenPURE All Season Infrared Heater near inflammable objects or surfaces that obstruct it.
Risk of fire.





2. SAFETY WARNINGS



Do not insert metal objects, such as needles, iron wires etc.
Risk of electric shock, malfunction or fire.



Do not use loose sockets or damaged cables or connections.
Risk of electric shock, short circuit or fire.



Do not touch the AC cord plug or the control panel with damp hands
Risk of electric shock



Do not use the EdenPURE All Season Infrared Heater for uses other than the one it has been designed for (e.g. to dry clothing).
Risk of fire.



Do not use the EdenPURE All Season Infrared Heater to warm domestic animals. Animals could damage the cables and cause a fire.



The EdenPURE All Season Infrared Heater is not suited for persons (as well as children) who are physically, mentally, or sensory disabled, unless they have been supervised or directed by someone responsible for their safety.



It is strictly prohibited to use any other supply voltage that is not the alternating current of 120V.
Risk of electric shock or fire.





2. SAFETY WARNINGS



Do not connect the EdenPURE All Season Infrared Heater into the same AC wall outlet as any other appliance.

Risk of fire.



Do not put heavy objects on the AC cable or sources of heat near it. The AC cable could get damaged.

If the cable is damaged there is risk of electric shock or fire.



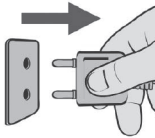
This product must only be used in and around the home.

Risk of fire or malfunction.



This product is able to produce high temperatures. Do not touch it with your bare hands during use.

It could cause burns.



Before cleaning the outside of the EdenPURE All Season Infrared Heater, disconnect it from the electrical supply.

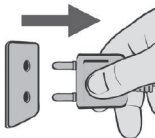
Risk of electric shock.



Do not use atomizer sprays (e.g. insecticides, hair spray, cleaning devices). In addition keep the EdenPURE All Season Infrared Heater away from chemical substances, oil, medicines, etc.

Risk of fire and electrical shock.

The resin or the protective paint could get damaged.



Should abnormal situations occur (e.g. burning smell) Switch off the EdenPURE All Season Infrared Heater immediately and call customer service at 1-800-895-0008. Prolonged use of the EdenPURE All Season Infrared Heater in conditions of anomaly could cause malfunction or fire





2. SAFETY WARNINGS



Do not use the EdenPURE All Season Infrared Heater with a programmer, timer or any other device that switches the EdenPURE All Season Infrared Heater on automatically, since a fire risk exists if the EdenPURE All Season Infrared Heater is covered or positioned incorrectly.



When removing the plug hold it firmly.
Risk of electric shock, short circuit or fire.



Do not fix safety switches with adhesive tape.
Risk of fire.



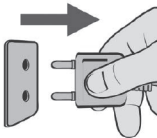
Do not use the EdenPURE All Season Infrared Heater in places where there is high temperature or high humidity.
Risk of malfunction.



It is strictly prohibited to disassemble or repair the EdenPURE All Season Infrared Heater.
Risk of electric shock, damage or fire. If necessary call our customer service at 1-800-895-0008.



Keep away from spray cans.
Risk of explosions or fire.



In case of non-use for a prolonged time, remember to disconnect the EdenPURE All Season Infrared Heater from the electric power supply.
Risk of electric shock or fire.



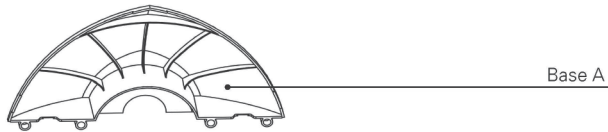
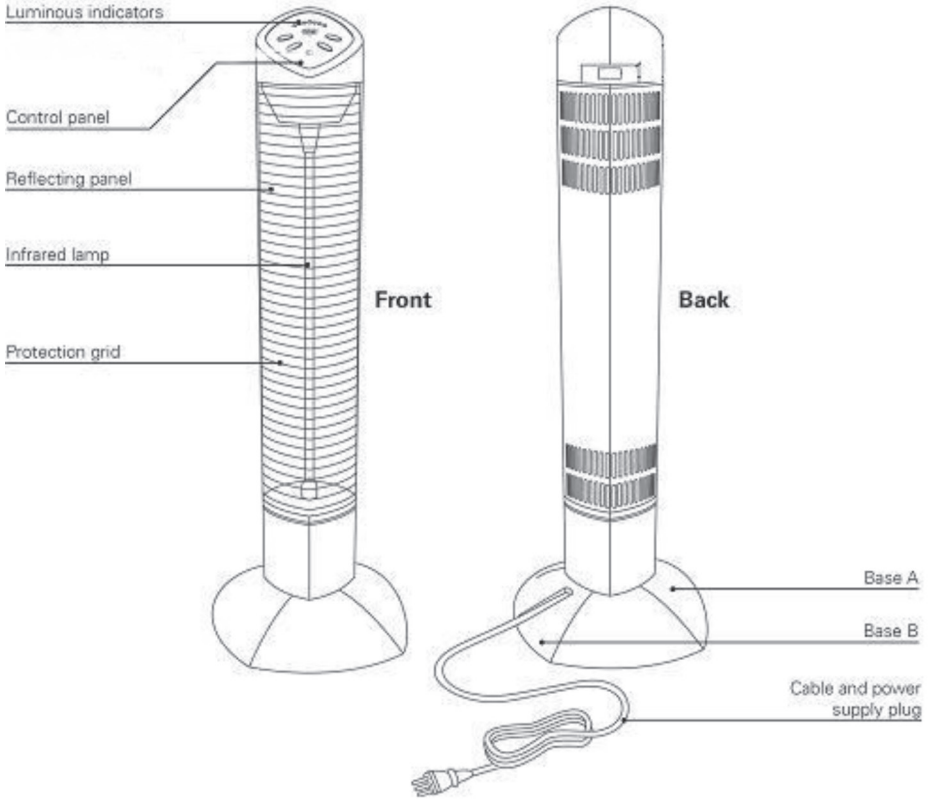
Do not use the EdenPURE All Season Infrared Heater in the immediate surroundings of a bath, shower or swimming pool.



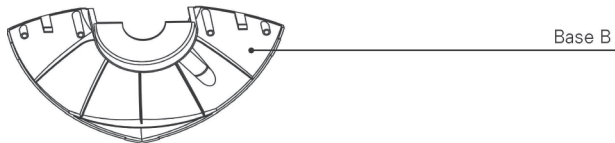


ALL SEASON INFRARED HEATER

3. PARTS DESCRIPTION



Screw (1 piece) to fix the base

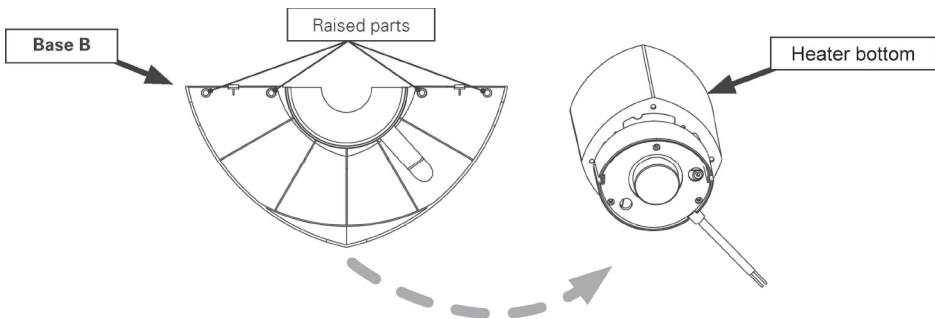




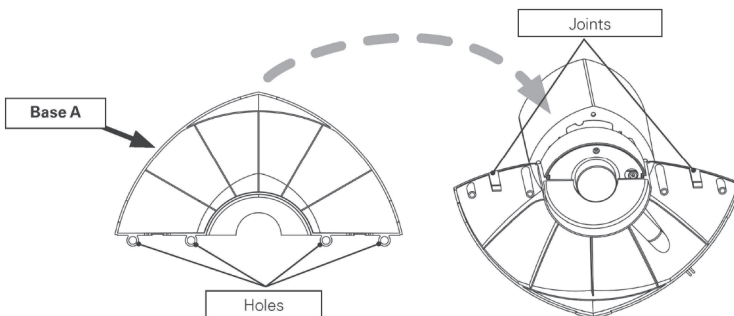
4. HEATER ASSEMBLY



- The base has two sections which must be assembled in a specific order. Before using the EdenPURE All Season Infrared Heater, make sure assembly has been carried out correctly.
 - Keep the packaging in order to store the EdenPURE All Season Infrared Heater in a suitable way when not in use.
 - Do not activate the EdenPURE All Season Infrared Heater before assembly has been completed.
1. Position the main body of the EdenPURE All Season Infrared Heater onto a table to assemble base B.



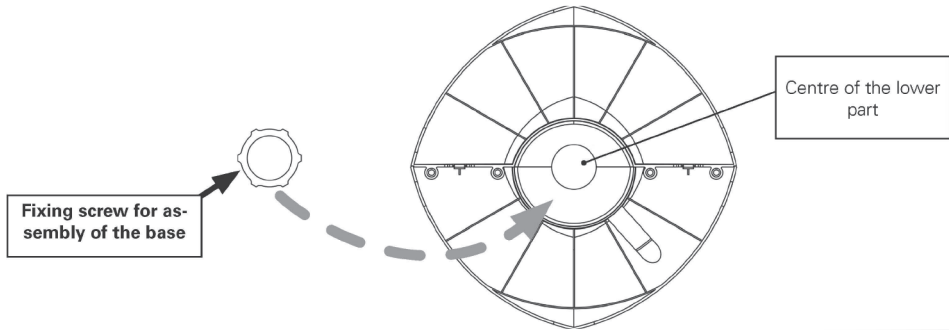
2. When assembling the EdenPURE All Season Infrared Heater, insert the four raised parts of Base B into the corresponding holes of Base A. There are two joints on Base B. Base B must be inserted into Base A until the sound that the two parts have been fitted together is heard.





4. HEATER ASSEMBLY

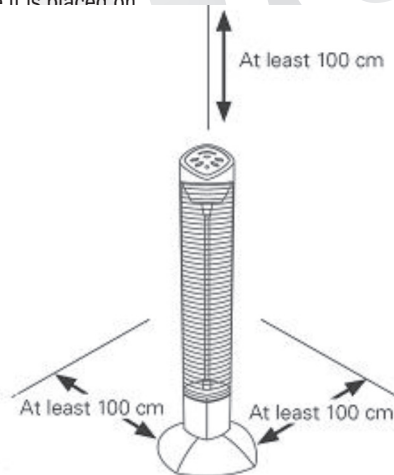
3. Firmly fix the base with the screw in correspondence to its center.



Operation



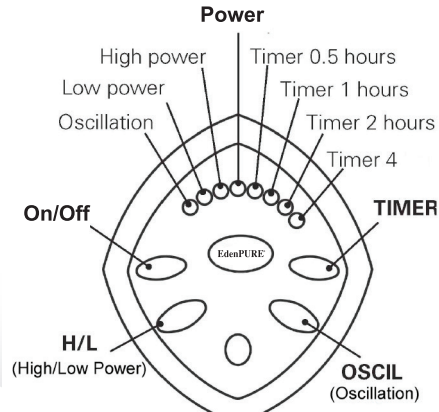
- During use keep the EdenPURE All Season Infrared Heater at a safe distance from flammable objects (e.g. curtains) and from walls (see the diagram below)
- Do not use the EdenPURE All Season Infrared Heater on uneven surfaces and on carpets with long fibers.
- Should the EdenPURE All Season Infrared Heater fall, a switch positioned under the base will automatically switch it off; correct operation of the switch is conditioned by the evenness of the surface it is placed on





5. OPERATION

Start up: After having inserted the AC plug into the AC wall outlet press the **On/Off** button positioned on the left side of the control panel. The green indicator **High Power** (maximum heating) will light up. Press a second time and the EdenPURE All Season Infrared Heater will switch off. The **Power** indicator remains on until the AC plug has been removed.



Temperature control: Press the **H/L** button to set the heating mode:

- Minimum heating: 450 W (L)
- Maximum heating: 900 W (H)

Timer setting

If you wish to set the timer, press the **Timer** button repeatedly until the desired time has been reached. Your unit will run for the set time and then turn off.

To shut off the timer, press the button again until the timer switches off.

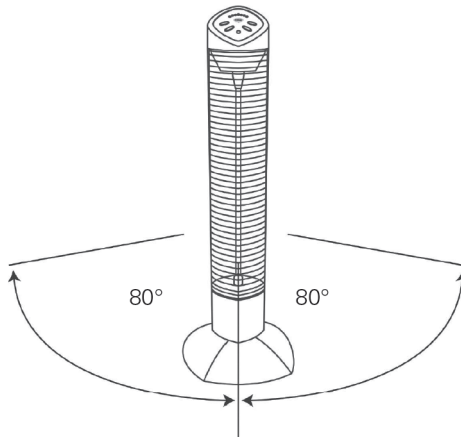
Timer values: 0.5H = 30 min -1H = 1 hour -2H = 2 hours -4H = 4 hours

Oscillation

To activate the oscillating feature, press the **Oscil** button on the EdenPURE All Season Infrared Heater. The heater will then oscillate at an angle of 80° from right to left and the luminous oscillation indicator will light up.

Press the **Oscil** button again to stop the oscillation. The oscillation indicator will switch off.

Do not stop or block the oscillation movement of the EdenPURE All Season Infrared Heater forcefully. This could damage it irreparably.





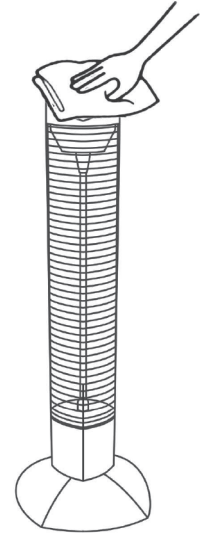
5. OPERATION

Cleaning

- Before cleaning the unit, you must first disconnect it from the AC wall outlet.
- During cleaning, do not dampen the EdenPURE All Season Infrared Heater or spray water onto it.
- To clean the EdenPURE All Season Infrared Heater and the reflector, use a soft cloth. Should the surface be very dirty, dampen the cloth with warm water or with a neutral/delicate detergent before cleaning. Use a soft and dry cloth to remove the excess humidity.
- Do not apply dilutents, petrol, alcohol, kerosene, benzene, abrasive powders, alkaline detergents, rigid brushes, or similar material to the paint or to the coating resins.

Note: deterioration or loss of paint will appear on the EdenPURE All Season Infrared Heater surface, if these are cleaned with chemically treated fabrics or if in contact with these for a long time.

- Should either dust or humidity be found between the AC plug and socket caused by prolonged use, remove and clean the AC plug using a dry cloth, then insert it again.



Storage

Put the EdenPURE All Season Infrared Heater in its original packaging or in a box so that it can be handled and store in a dry place.





6. TROUBLESHOOTING

In case of malfunction or incorrect operation of the EdenPURE All Season Infrared Heater check the following points. If the problem is not solved please call our customer service department at **1-800-895-0008**.

Symptom	Checks to be carried out
There is no heating, even when pressing the H/L push button.	<ul style="list-style-type: none"> • Check that the AC plug is inserted into the wall socket. • Check if the EdenPURE All Season Infrared Heater, is positioned on a flat and even surface during use.
Heater does not oscillate.	<ul style="list-style-type: none"> • Check that the Oscil button is correctly pressed. • Check that the unit is properly attached to the base.

- In case of breakage, immediately disconnect the EdenPURE All Season Infrared Heater from the power supply.
- If the power supply cord is damaged, immediately disconnect the EdenPURE All Season Infrared Heater.

7. WARRANTY

This product is guaranteed against all manufactured faults and defects for a period of two (2) years from the date of purchase. For repairs or product defects, please call our customer service department at: **1-800-895-0008**. Please have your proof of purchase on hand. If we are not able to replace your defective part we will send you a replacement unit.

Important: Any damages caused by an accident or an abusive usage are NOT covered under warranty.





EdenPURE®

1-800-895-0008

www.edenpure.com

