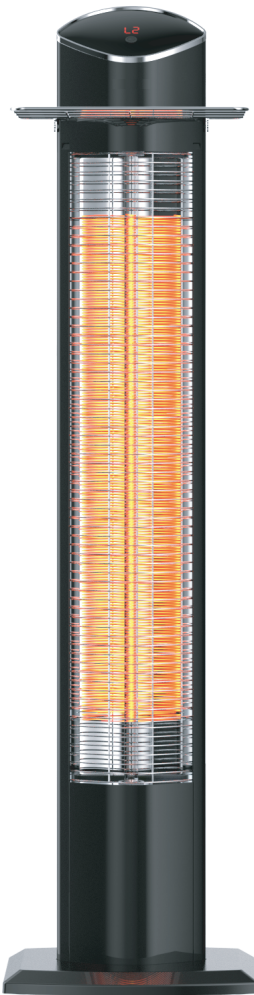


All Season Heater



Owner's Manual Model No.: A6056

READ AND SAVE THESE INSTRUCTIONS

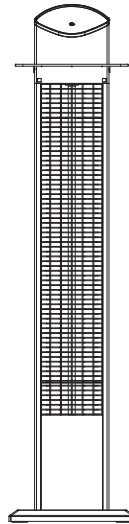
Carefully read and review before attempting to assemble, install, operate, or maintain this product. Observe all safety instructions and information.

**FAILURE TO FOLLOW WARNINGS & OPERATIONAL INSTRUCTIONS
CONTAINED IN THIS MANUAL CAN RESULT IN SEVERE
PROPERTY DAMAGE AND/OR PERSONAL INJURY.**

INTRODUCTION

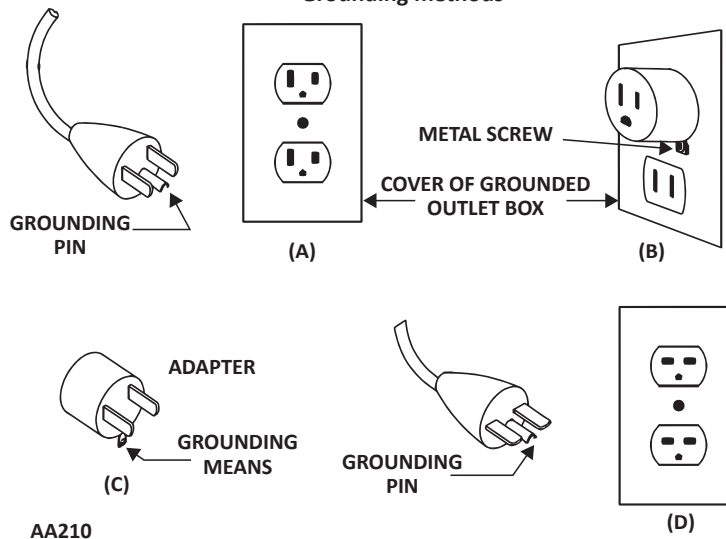
The EdenPURE All Season Heater® is a versatile heating solution suitable for both indoor and outdoor use. The heater is designed to provide instant and comfortable heat, similar to the warmth of the sun. It is constructed with durable materials for outdoor durability and utilizes carbon infrared elements for efficient heat distribution. Whether you need supplemental heating indoors or want to create a cozy outdoor environment, the EdenPURE All Season Heater® offers a reliable and efficient heating solution.

Model: A6056
Voltage: 120VAC
Wattage: 1500W
Hertz : 60Hz



This heater is for use on 120 volts. The cord has a plug as shown at A in Figure 68.1. An adapter as shown at C is available for connecting three-blade grounding-type plugs to two-slot receptacles. The green grounding lug extending from the adapter must be connected to a permanent ground such as a properly grounded outlet box. The adapter should not be used if a three-slot grounded receptacle is available.

Figure 68.1
Grounding methods



Note: It is normal to experience a trace of smoke or odor when operating the unit for the first time. There is no need to be alarmed. This occurrence is due to a drop of oil that may have fallen on the interior coils during the manufacturing process. As the unit heats up, the oil will quickly evaporate, and the smoke or odor should dissipate. You should not encounter this issue again in subsequent uses.

Warning

THESE INSTRUCTIONS SHOULD BE READ CAREFULLY AND RETAINED FOR FUTURE REFERENCE.

We cannot be liable for any damages caused by failure to observe these instructions.

IMPORTANT INSTRUCTIONS

READ CAREFULLY-The infrared heater is designed for safe operation. Nevertheless, installation, maintenance and operation of the heater will be dangerous. Observing the following procedures will reduce the risk of fire, electric shock, injury to persons and keep installation time to a minimum. Save these instructions for future use.

1. Read all instruction before using this heater.
2. Remove the unit from its packaging and check to make sure it is in good condition before using.
3. Do not let children play with parts of package (such as plastic bags).
4. Check the household voltage to ensure it matches the heater's rated specification.
5. Check the power cord and plug carefully before use, to make sure that they are not damaged.
6. Before unplugging the power cord, be sure to turn the power off. When turning the heater on, be sure your hands are dry to prevent electric shock.
7. This heater is hot when in use. To avoid burns, do not let bare skin touch hot surfaces. Use the handle on the back when moving this heater. Keep combustible materials, such as furniture, pillows, bedding, papers, clothes, and curtains at least 3 feet (0.9m) from the front, sides and rear of the heater.
8. Extreme caution is necessary when any heater is used by or near children and whenever the heater is left operating and unattended.
9. Do not use near or in the immediate vicinity of a bath or swimming pool or any source of liquid.
10. To protect against electric shock, do not immerse cord or plug in water or any other liquid.
11. Do not insert or allow foreign objects to enter any ventilation or exhaust opening, as this may cause an electric shock, fire or damage to the heater.
12. Always unplug the heater when not in use.
13. Connect to properly grounded outlets only.
14. Always plug heaters directly into a wall outlet/receptacle. Never use with an extension cord or relocatable power tap (outlet/power strip).
15. Do not allow cord to overhang the counter top where it can be easily pulled by children.
16. Do not put fingers or foreign objects into the grill while in operation.
17. Do not leave the appliance unattended when in use.
18. Never put heater where it may fall into a bathtub or other water source.
19. No liability can be accepted for any damage caused by non-compliance with these instructions or any other improper use or mishandling.


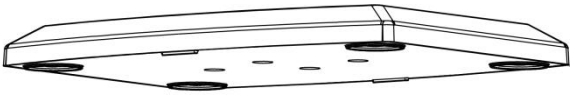
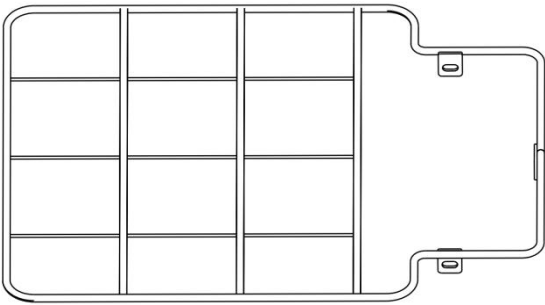
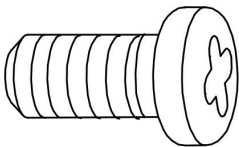
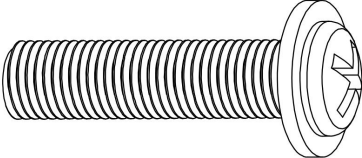
20. This appliance is not intended for use by persons (including children) with reduced physical, sensory or mental capabilities unless they have been given supervision or instruction concerning the use of the appliance by a person responsible for their safety. Children should be supervised to ensure they do not play with the appliance.
21. Use this heater only as described in this manual. Any other use not recommended by the manufacturer may cause fire, electric shock, or injury.
22. Do not operate any heater with a damaged cord or plug, after the heater malfunctions or has been dropped or damaged in any manner. Unplug the heater from the outlet and have it inspected by a reputable electrician before reusing. If the supply cord is damaged in any way, it must be replaced by the manufacturer or a similarly qualified person in order to avoid a hazard.
23. Do not run cord under carpeting. Do not cover cord with throw rugs, runners, or similar coverings. Do not put cord under furniture or appliances. Put cord away from traffic areas and where it will not be tripped over.
24. To disconnect heater, turn controls to off, then remove plug from outlet.
25. To prevent overheating of this appliance, keep the air inlets and outlets clear and free of anything that may cause blockage. Check all inlets and outlets from time to time to ensure it is clear of any dirt or dust accumulation. **DO NOT COVER.**
26. A heater has hot and arcing or sparking parts inside. Do not use it in areas where gasoline, paint, or flammable liquids are used or stored.
27. Parts of the heater may exceed 392°F. Contact with the heating tube, reflector, or metal parts near the heating tube, may cause severe BURNS. To avoid burns, do not let bare skin touch hot surface.
28. **NEVER** place hands under the heating elements. **ALWAYS** allow heating element to cool at least 10 minutes before touching the heating tube or adjacent parts.
29. This product contains recyclable materials. Do not dispose this product as unsorted municipal waste. Please contact your local municipality for the nearest collection point.

SAVE THESE INSTRUCTIONS

ASSEMBLY

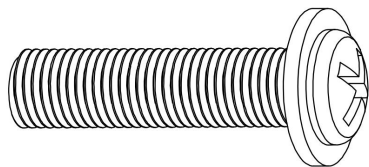
1. Always disconnect the heater from the electrical supply and allow it to cool before assembling the base and the protection bracket.
2. Keep the supply cord away from the body of the heater which will get hot during use.
3. If the heater is going to be used outside, a weatherproof outlet is recommended.
4. Fasten the heater securely on the baseplate using the screws supplied.

PARTS LIST

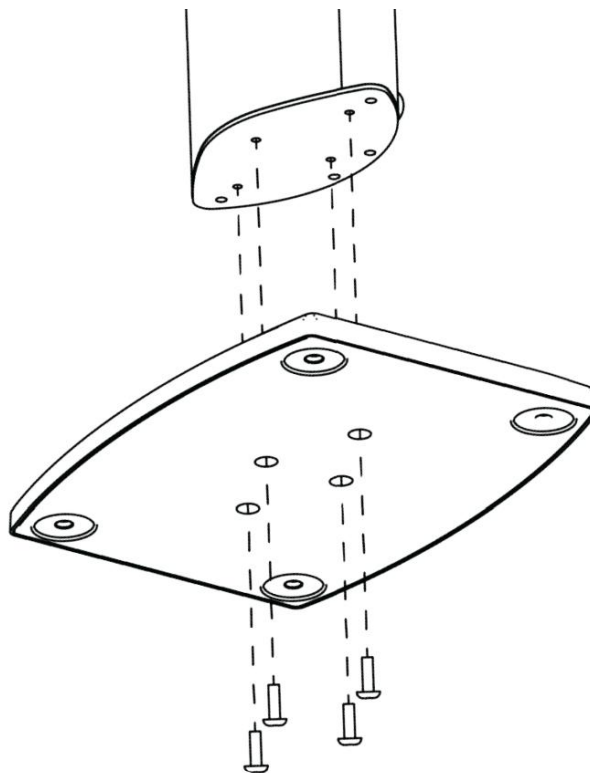
1. Heater (1pc)	2. Base (1pc)
	
	3. Protection Bracket (1pc) 
4. Screw (3pcs)	5. Long Screw (4pcs)
	

ASSEMBLY INSTRUCTIONS:

1. Use 4 long screws to attach base to the heater unit.

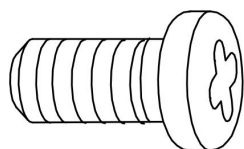


Long Screw (4pcs)

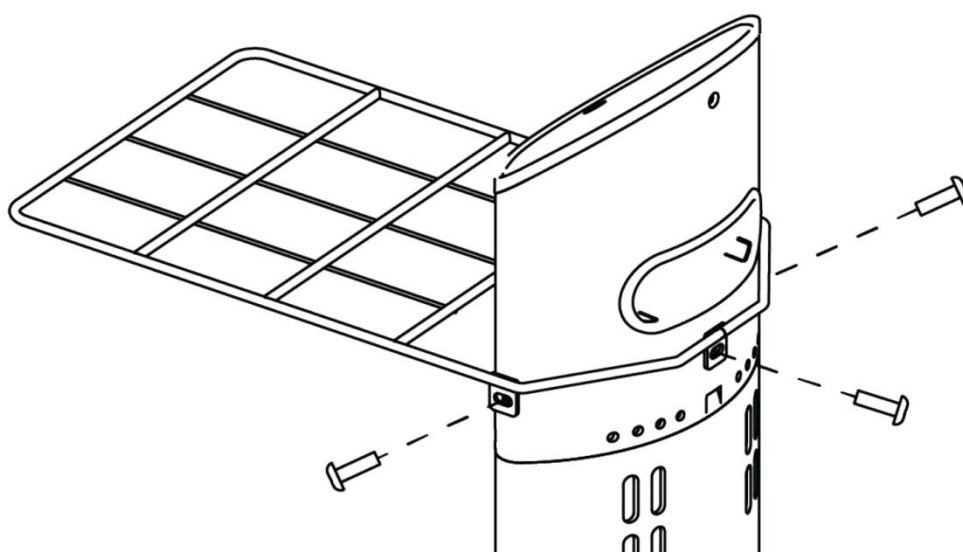


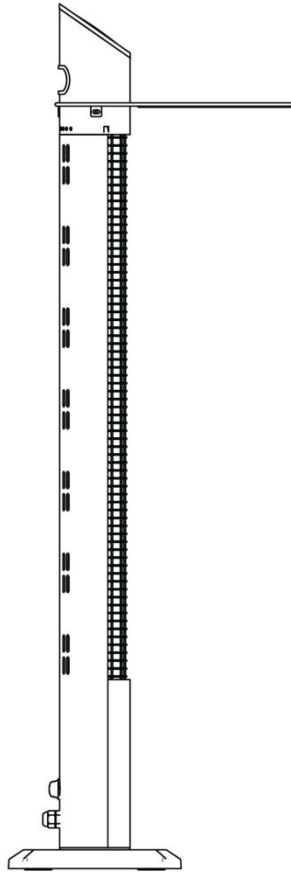
2. Use 3 screws to attach the protection bracket to the heater.

ATTENTION: THE PROTECTION BRACKET MUST BE ASSEMBLED BEFORE PLUGGING THE HEATER IN.



Screw (3pcs)





Noted: The heater has a tip-over protection function. When the heater exceeds a 45° angle, it automatically stops working.

WARNING!
FOR OUTDOOR USE,
HEATER MUST BE
PLUGGED INTO A
GFCI OUTLET.



OPERATING INSTRUCTIONS

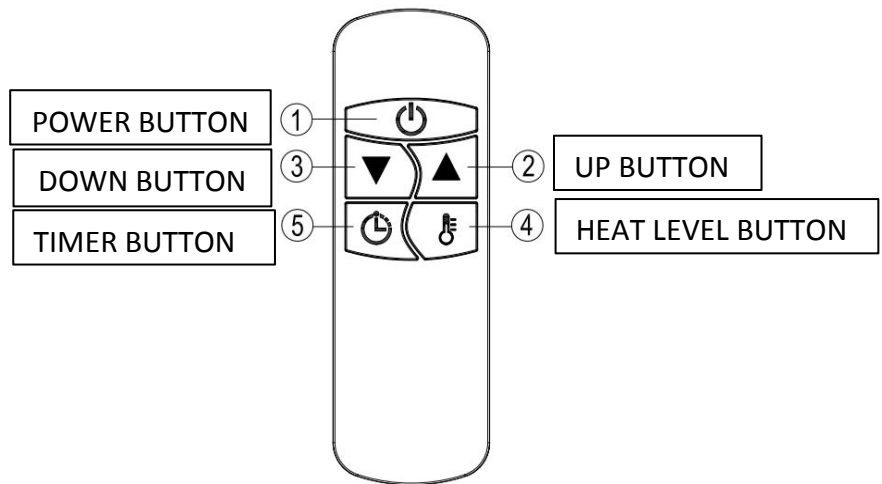
Turn on the ON/OFF Switch on the back of heater, the product is in standby mode display (- -).

OPERATION ON THE HEATER - POWER BUTTON



Press the power button on the top of the unit. Select the heating level (L1 - L2 - standby - off).

REMOTE CONTROL INSTRUCTIONS



POWER BUTTON

1. Power on
2. Power off

UP BUTTON

Increase the heat level L1 to heat level L2
Increase the timer 1 H every increment (00H-24H)

DOWN BUTTON

Decrease the heat level L2 to heat level L1
Decrease the timer 1 H every decrement (24H-00H)

HEAT LEVEL BUTTON

Use to initiate the heat level change, press the Heat Level Button then use the UP/DOWN buttons to increase or decrease the heating level.

TIMER BUTTON

To set the timer, press the timer button, Use the UP/DOWN buttons to set the countdown timer. The timer range is from 0H to 24H, The heater will automatically turn off when the timer expires. Set the time to 0H to disable the timer.

INSERTING BATTERIES (NOT INCLUDED)

To insert batteries into your remote control, follow these steps:

1. Flip the backside of your remote control and locate the battery cover.
2. Remove the battery cover to expose the battery compartment.
3. Insert 2 AAA/Alkaline type batteries, paying attention to the instructions and the correct polarity (+/-) indicated inside the battery compartment.
4. Close the battery cover securely.

NOTICE:

When replacing the batteries, make sure to use the same type of batteries to maintain optimal functionality of your heater. Using different types of batteries may result in the heater not functioning properly.

If the heater is not going to be used for an extended period of time, it is recommended to remove the batteries from the remote control. This precaution helps prevent battery leakage, which can potentially damage the remote control.

Additionally, it is important to keep the remote control away from water or any liquids. Exposing the remote control to liquids can cause damage to the internal components and affect its proper functioning.

Caution:

When the appliance is not going to be used for a long period of time, it is important to turn the heater off and unplug it from the outlet.

Performing periodic inspections and removing dirt and contaminants will help ensure the safe operation of the equipment.

TROUBLESHOOTING

1. Check if the power cord is plugged into an electrical outlet. If it's not plugged in, please plug it in securely.
2. Check if there is electricity to the main fuse. Ensure that the main fuse is not blown or tripped.
3. Error code shows on display:

E1 Error on Display: Control unit has overheated. Check installation clearances. Let heater cool for 15 minutes and restart heater.

MAINTENANCE INSTRUCTIONS

Attention! Careful and regular maintenance to your heater according to our instructions is of utmost importance to ensure long and efficient operation of your appliance.

While cleaning the appliance, visually inspect the reflector, wire, and frame for any signs of deformation. If any deformation is observed, please contact service for assistance at 1-800-225-6595 or visit www.edenpuresupport.com.

Visually inspect the power cord and plug while cleaning the appliance. If there is any deformation or damage, it is advisable to contact the service team for further evaluation and potential repair or replacement.

CLEANING

To clean your infrared heater and ensure its efficient operation, please follow the steps below:

For your safety, unplug the power cord of the heater before starting the cleaning process.

Allow the heater to cool down completely before proceeding with the cleaning.

To clean the outer housing of the heater, use a soft, damp cloth. If necessary, you may use a mild detergent, but ensure that no liquid enters the heater. After cleaning, dry the unit thoroughly with a soft cloth. Please note that it's important to avoid letting any liquids enter the heater.

Avoid using alcohol, gasoline, abrasive powders, furniture polish, or rough brushes to clean the heater. These substances may cause damage or deterioration to the surface of the heater.

Do not spray heater directly with a hose to clean to avoid electrical shock. The heater is IPSS rated and has protection from low-pressure water jets from any direction and protection from limited dust ingress.

Do not submerge the heater in water or any other liquid. Immersion can cause serious damage to the appliance.

Once the cleaning is complete, wait until the heater is completely dry before plugging it back in and using it.

By following these cleaning guidelines, you can help maintain the efficiency and trouble-free operation of your infrared heater for many years.

Storage: Store the heater in a cool, dry location when not in use to prevent dust and dirt build-up. Wrap the power cord with ties. Remove the batteries from the remote control. Use packaging carton to store.

ATTENTION:

Please note the following important guidelines for the maintenance and safety of your heater:

Always disconnect the heater from the electrical power source and allow it to cool down before attempting to perform any maintenance or repairs.

If the heater has accumulated dust or dirt inside the unit or around the heating element, it is recommended to contact service. Do not operate the heater in this condition, as it may pose a safety risk.

The only normal maintenance required is cleaning the external surfaces of the heater. Use a soft cloth to clean the outer surfaces and avoid using any abrasive materials or cleaners that may damage the unit.

Avoid touching the heating element with bare fingers, as residue from your hands can affect the lifespan of the lamp. If accidental contact occurs, remove any finger marks using a soft cloth moistened with mentholated spirit or alcohol.

It is important not to attempt to repair or adjust any electrical or mechanical functions of the heater. The heater does not contain any user-serviceable parts. In the event of damage or breakdown, contact service.

Following these guidelines will help ensure the safe and proper operation of your heater.

RECYCLING

At the end of the electrical product's lifespan, it is important not to dispose of it as household waste. Instead, please consider recycling the product where recycling facilities are available.

To properly dispose of the product, check with your Local Authority or retailer for specific recycling advice and guidelines in your country. They can provide information on the nearest recycling facilities or programs for electrical products.

By recycling the product, you contribute to environmental sustainability and help prevent any potential negative impacts on the environment.

How long is the warranty?

This heater is accompanied by a one-year limited component warranty. If you encounter any issues with your unit and it does not appear to be working properly, we recommend contacting our service center for assistance. You can reach us by calling 1-800-225-6595 or visit www.edenpuresupport.com.

To place an order, call 1-800-360-1070 or visit www.edenpure.com.

EdenPURE
7800 Whipple Ave. NW
N. Canton, OH 44720