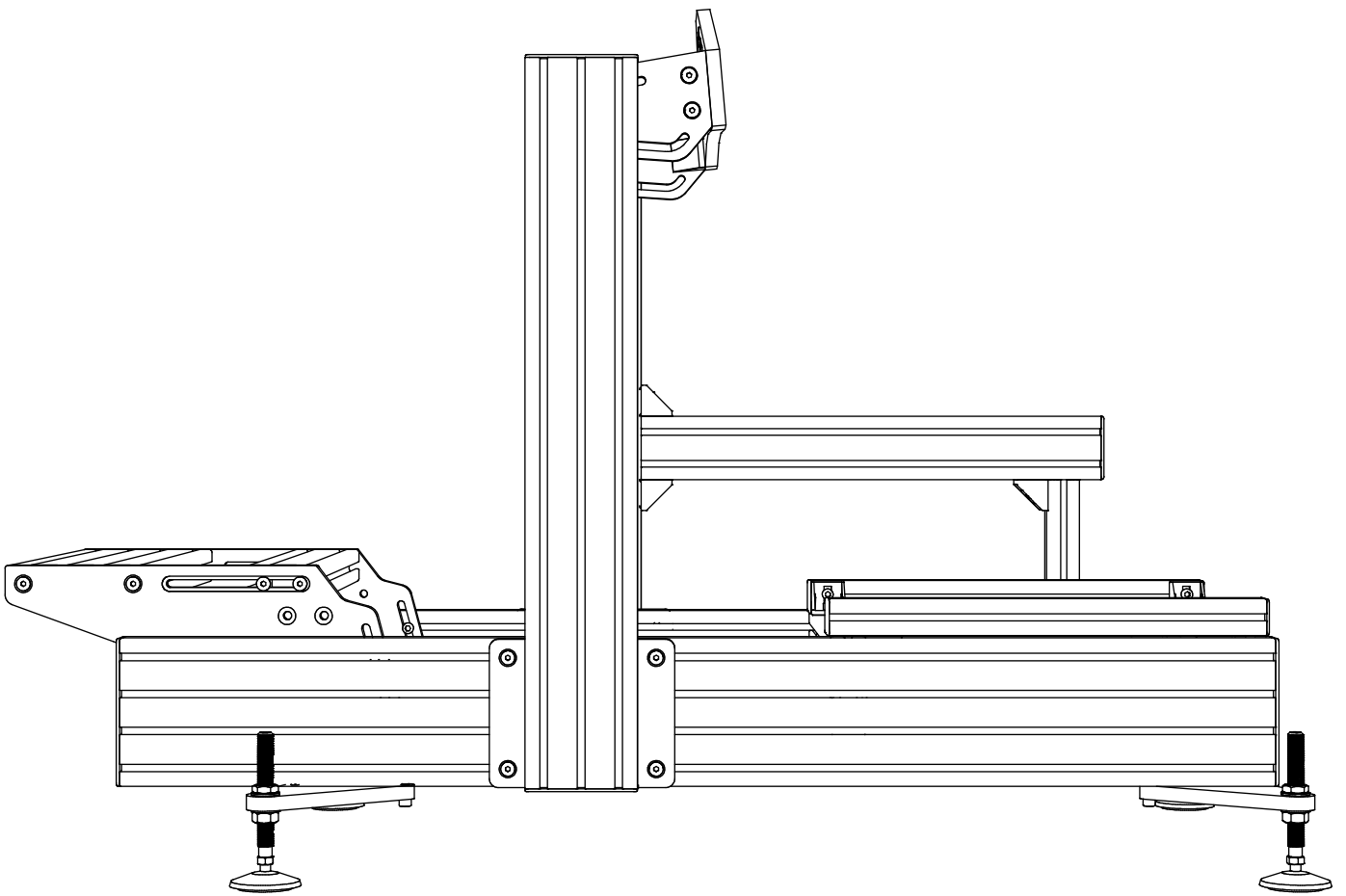


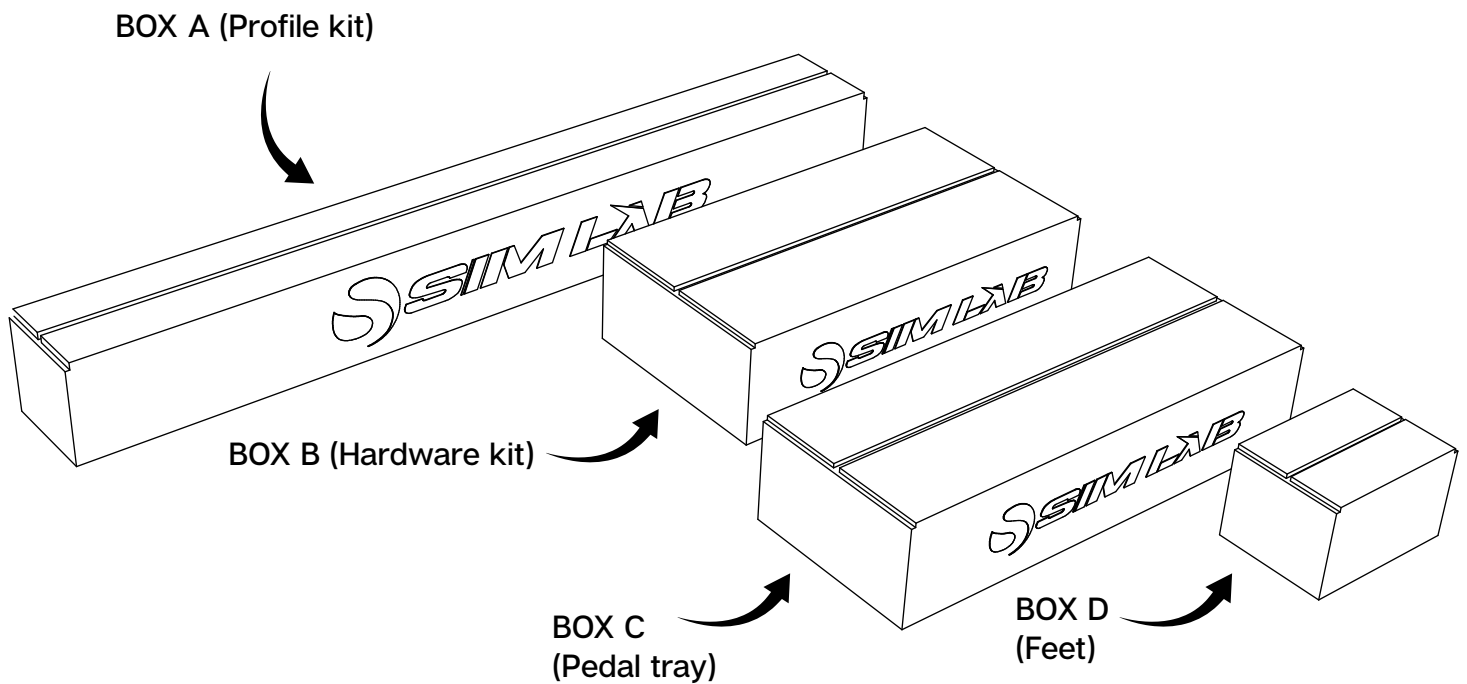
# P1-X

## INSTRUCTION MANUAL

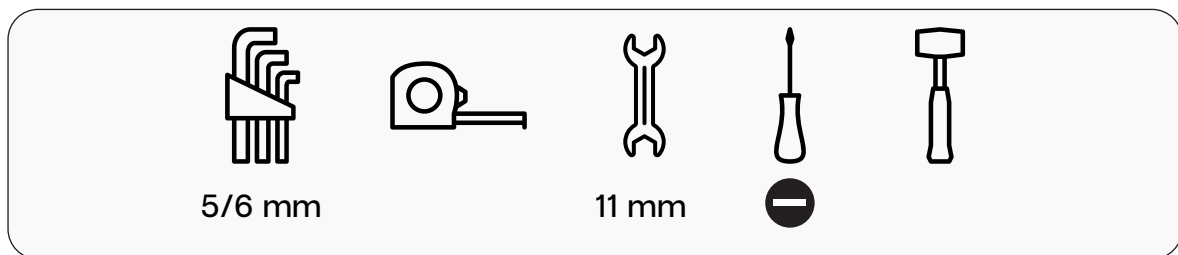


Thank you for purchasing a Sim-Lab P1-X sim racing chassis! On the following pages you will find a detailed instruction how to build this cockpit. Assembling requires a set of simple tools, and general knowledge of how to use them and a bit of technical insight.

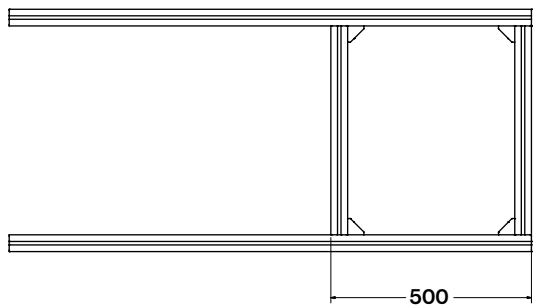
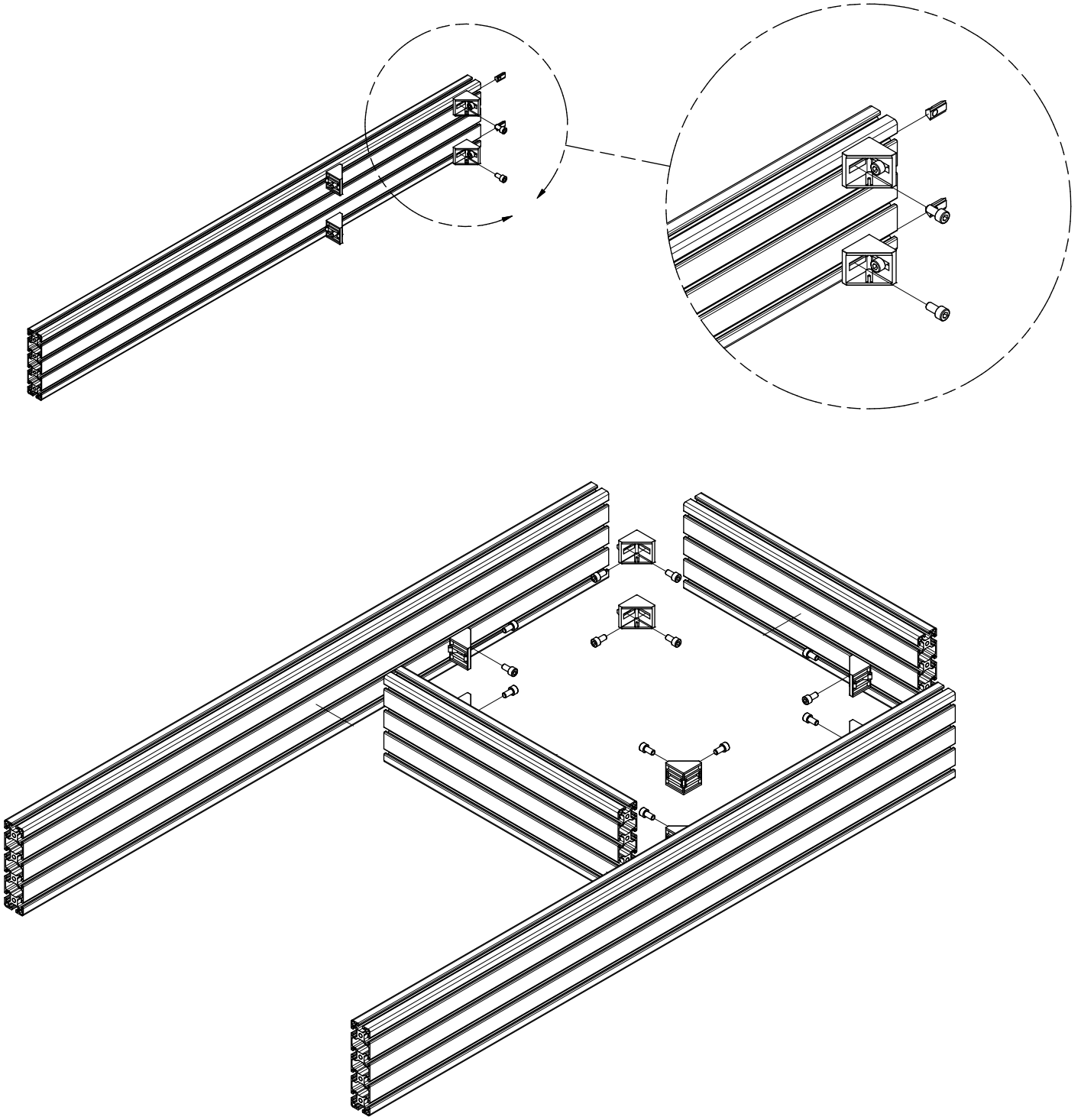
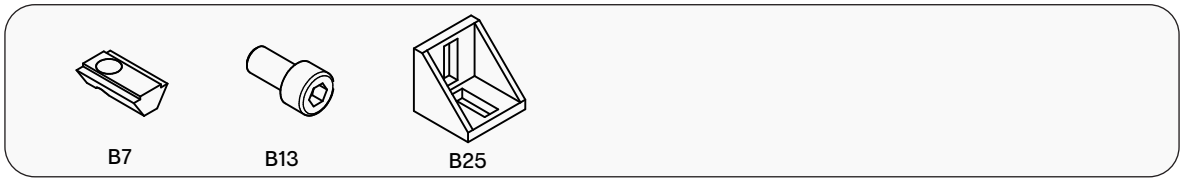
There are 12 Variant of the P1-X sim racing cockpit. Every variant is covered in this manual. Take care to find the illustrations that are applicable to the one you chose. Generally it takes about 3-4 hours to build this cockpit. Before starting please check contents and make sure all the parts are accounted for in the packages.



Required tools:



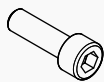
# 1



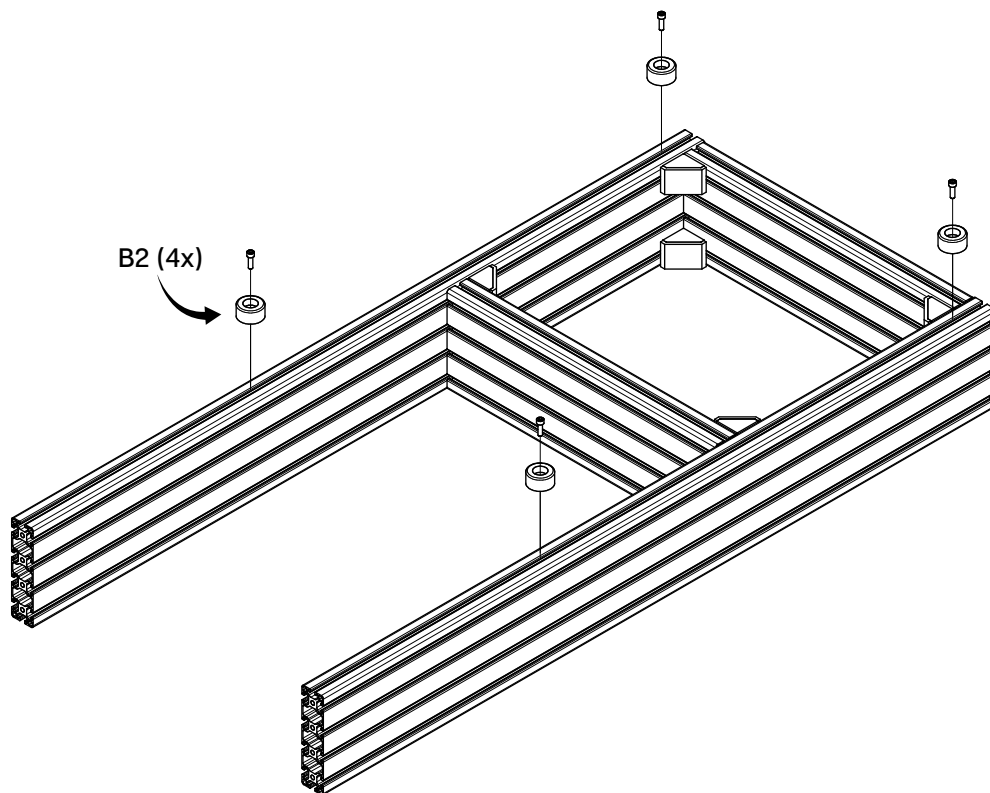
# 2a



B8



B14



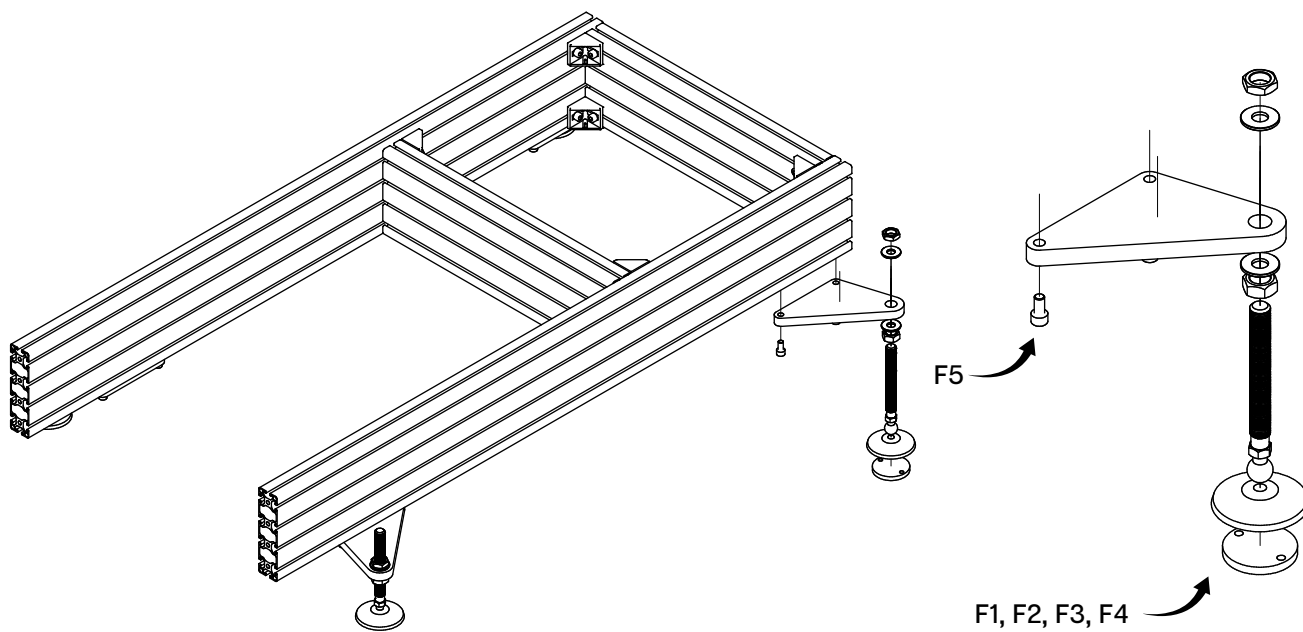
# 2b



B7



B13



# 3



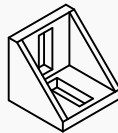
B7



B13

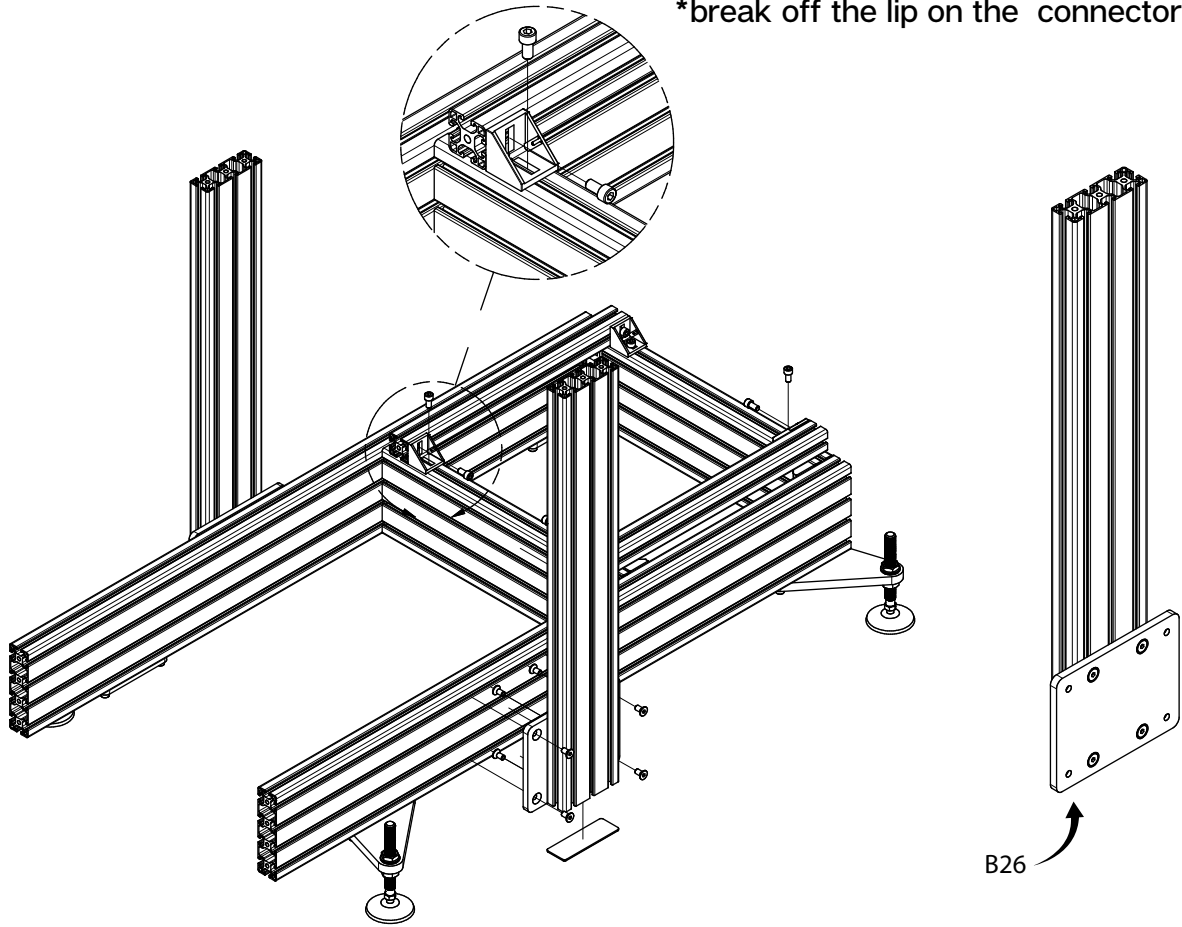


B16



B25

\*break off the lip on the connector bracket



# 4



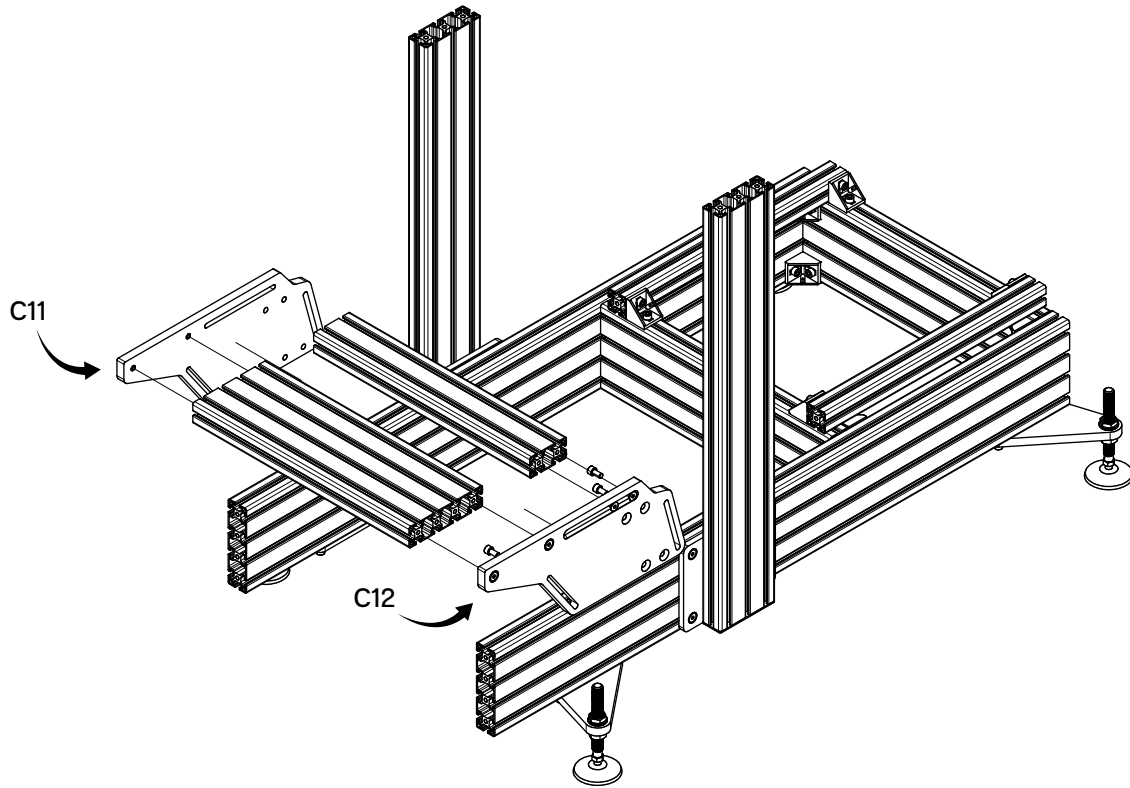
B7



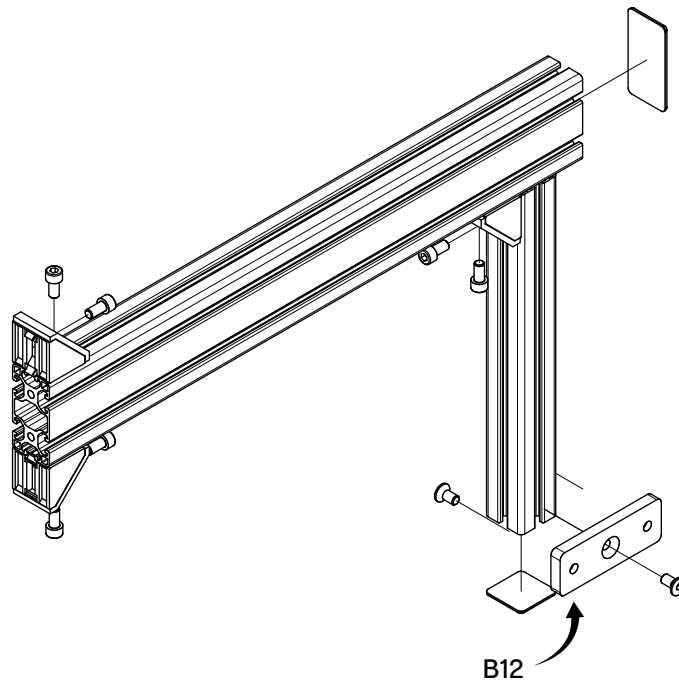
B17



B15

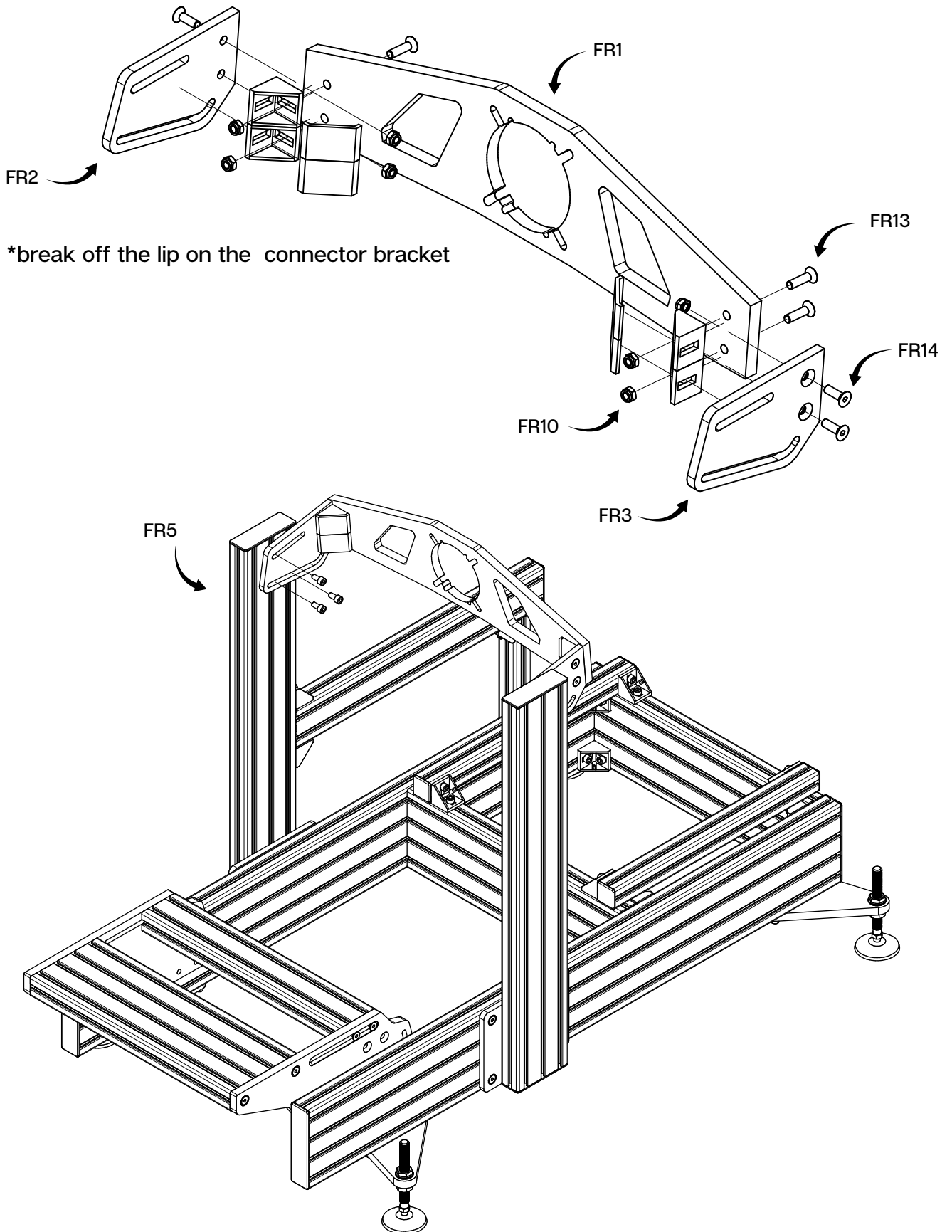


# 5



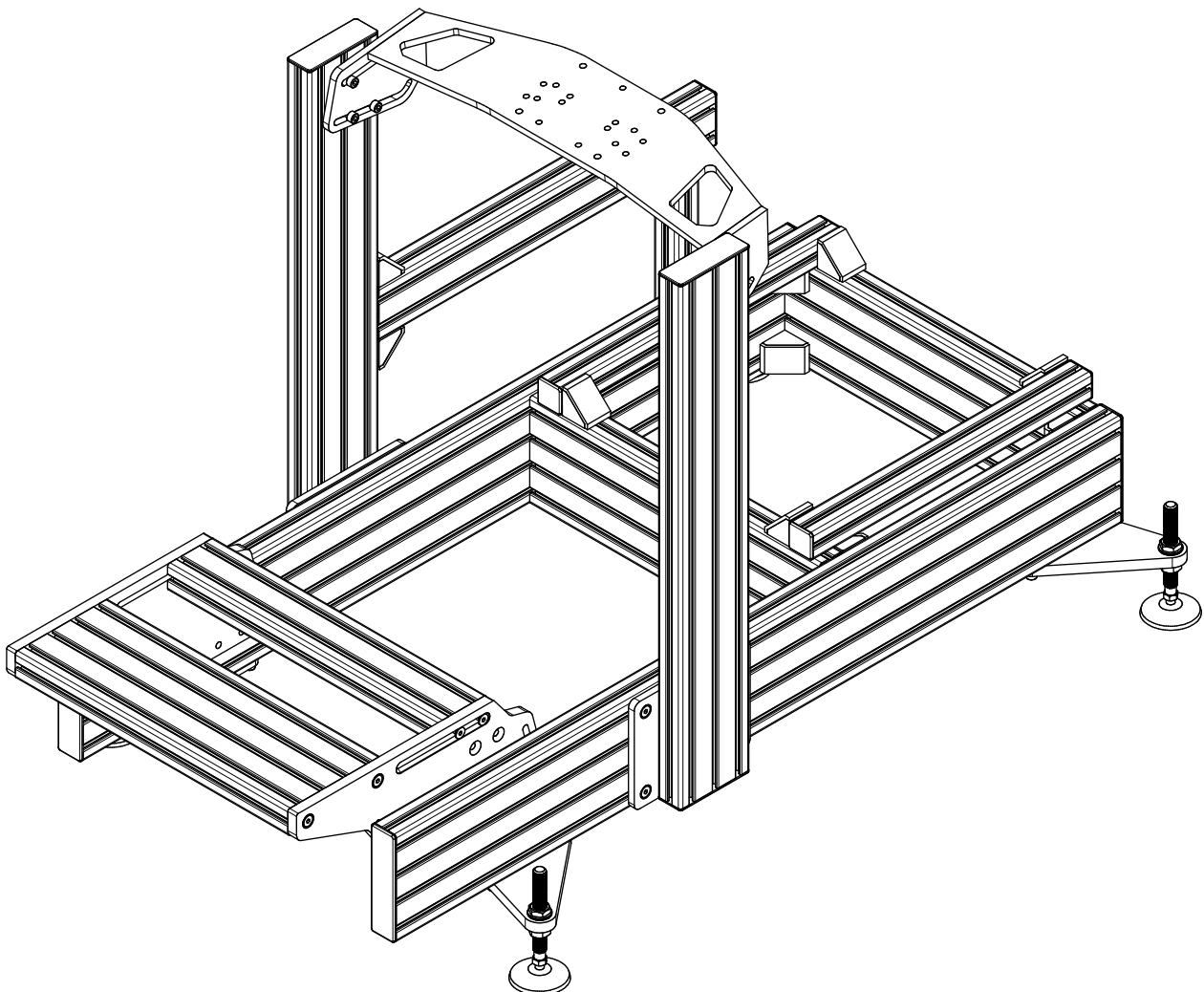
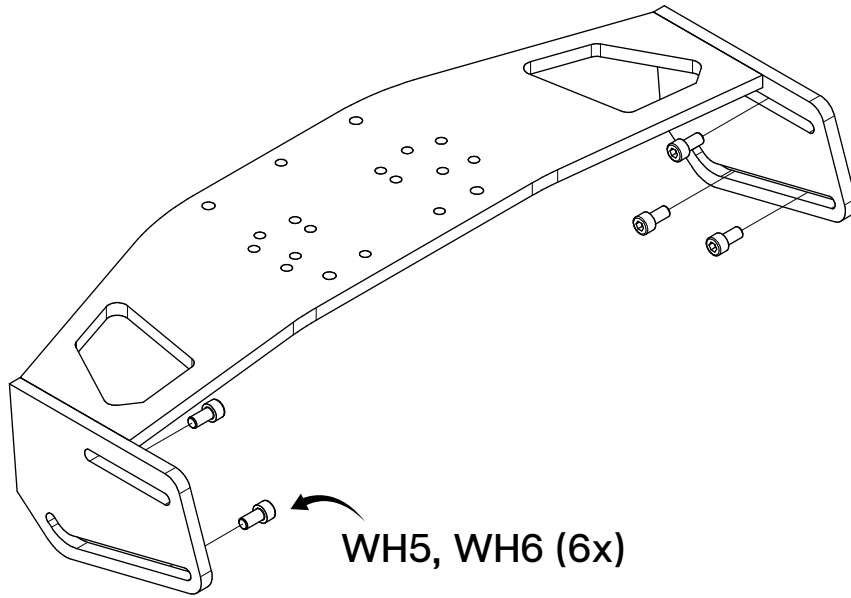
# 6a

## Front mount assembly

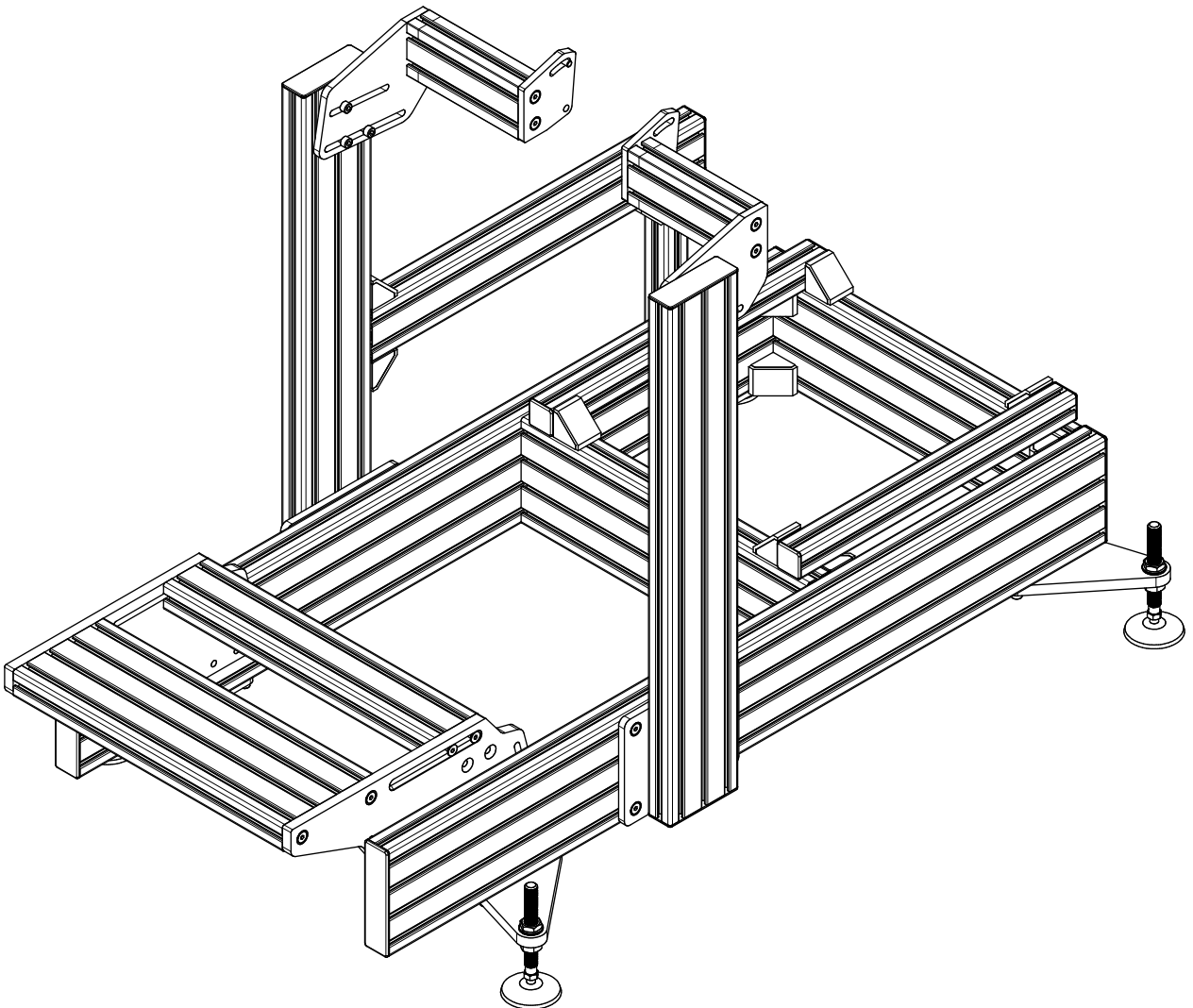
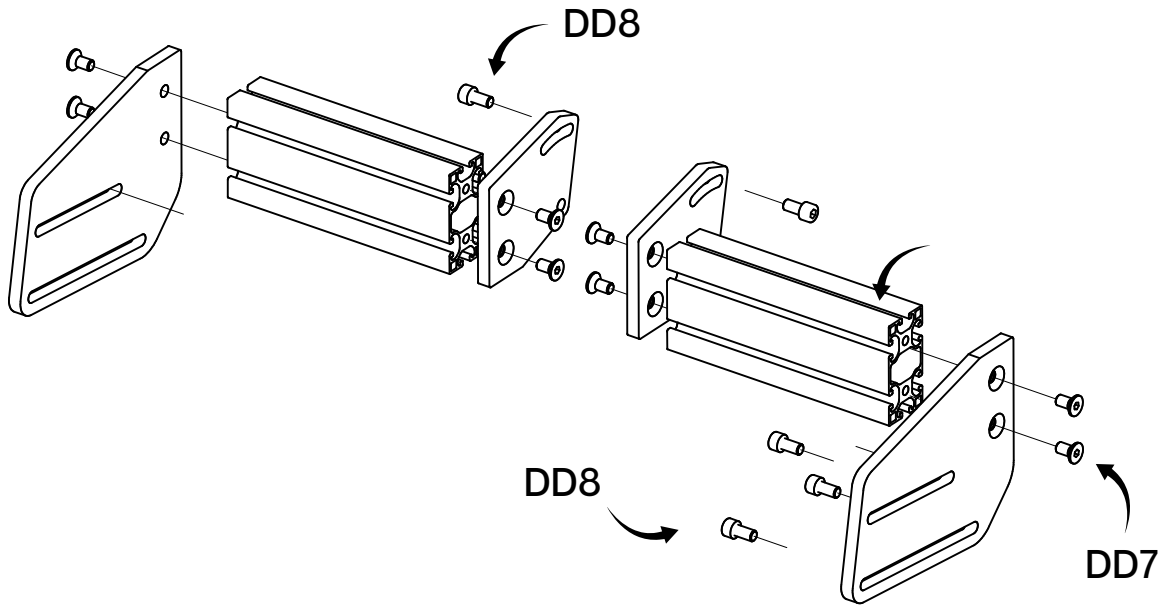


# 6b

## Wheeldeck assembly







## Parts list - Main kit

<b>BOX A</b>		<b>Base Profiles (Black/Grey)</b>	
A1		Profile 40 mm slot 8 (Black/Grey, 40x160L) - 1350mm	2 Units
A2		Profile 40 mm slot 8 (Black/Grey, 40x160L) - 500mm	2 Units
A3		Profile 40 mm slot 8 (Black/Grey, 40x120L) - 780mm	2 Units

<b>BOX B</b>		<b>Hardware kit + Profiles (Black/Grey)</b>	
B1		Cover cap for corner bracket (40x40)	20 Units
B2		Rubber feet	4 Units
B3		End cap profile (40x40L)	9 Units
B4		End cap profile (40x80L)	1 Units
B5		End cap profile (40x120L)	4 Units
B6		End cap profile (40x160L)	4 Units
B7		Slot 8 nut (M8)	70 Units
B8		Slot 8 nut (M6)	20 Units
B9		Slot 8 nut (M4)	4 Units
B10		Slot 8 nut (M5)	4 Units
B11		Washer (Black steel, M8, Plain black)	8 Units
B12		Sandwich plate small 40x40	1 Units
B13		Bolt - DIN 912 (Galvanised, 16mm, M8)	50 Units
B14		Bolt - DIN 912 (Galvanised, 20mm, M6)	4 Units
B15		Bolt - DIN 7991 (Black steel, 25mm, M8)	12 Units
B16		Bolt - DIN 7991 (Black steel, 20mm, M8)	20 Units
B17		Bolt - DIN 912 (Black steel, 25mm, M8)	8 Units
B18		Bolt - DIN 912 (Black steel, 20mm, M8)	10 Units
B19		Bolt - DIN 912 (Black steel, 20mm, M6)	4 Units
B20		Bolt - DIN 912 (Black steel, 12mm, M6)	4 Units
B21		Profile 40 mm slot 8 (Black/Grey, 40x40L) 500mm	2 Units
B22		Profile 40 mm slot 8 (Black/Grey, 40x40L) 320mm	1 Units
B23		Profile 40 mm slot 8 (Black/Grey, 40x40L) 200mm	2 Units
B24		Profile 40 mm slot 8 (Black/Grey, 40x80L) 580mm	1 Units
B25		Corner Bracket (40x40)	20 Units
B26		Sandwich plate P1-X	2 Units

<b>BOX C</b>		<b>P1-X Pedal tray (Black/Grey)</b>	
C1		Slot 8 nut (M5)	12 Units
C2		Slot 8 nut (M6)	12 Units
C3		Slot 8 nut (M8)	10 Units
C4		Washer (Black steel, M8, Plain black)	4 Units
C5		Bolt - DIN 912 (Galvanised, 16mm, M6)	12 Units
C6		Bolt - DIN 7991 (Black steel, 25mm, M8)	10 Units
C7		Bolt - DIN 912 (Black steel, 25mm, M8)	10 Units
C8		Bolt - DIN 912 (Black steel, 16mm, M5)	12 Units
C9		Profile 40 mm slot 8 (Black/Grey, 40x160L) 2x M8 Thread - 470mm	1 Units
C10		Profile 40 mm slot 8 (Black/Grey, 40x80L) 2x M8 Thread - 470mm	1 Units
C11		P1-X pedal plate (Left)	1 Units
C12		P1-X pedal plate (Right)	1 Units

## Parts list - Variants

Front mount			
FR1	Front Mount Bracket [ALU 15mm]		1 Units
FR2	Front mount Side plate (Left)		1 Units
FR3	Front mount Side plate (Right)		1 Units
FR4	Bolt - DIN 912 (Black steel, 20mm, M6)		4 Units
FR5	Bolt - DIN 912 (Black steel, 20mm, M8)		6 Units
FR6	Bolt - DIN 912 (Black steel, 40mm, M8)		4 Units
FR7	Spacer - male / female (10mm, M6)		4 Units
FR8	Corner Bracket (40x40)		4 Units
FR9	Cover cap for corner bracket (40x40)		4 Units
FR10	Nut (M8, DIN 985 locknut, Galvanised)		12 Units
FR11	Washer (Black steel, M8, Plain black)		4 Units
FR12	Slot 8 nut (M8)		4 Units
FR13	Bolt - DIN 7991 (Black steel, 30mm, M8)		4 Units
FR14	Bolt - DIN 7991 (Black steel, 20mm, M8)		4 Units

Wheeldeck plate			
WH1	Side plate wheeldeck		2 Units
WH2	Wheeldeck top plate		1 Units
WH3	Bolt - DIN 912 (Black steel, 16mm, M8)		4 Units
WH4	Slot 8 nut (M8)		6 Units
WH5	Bolt - DIN 912 (Black steel, 20mm, M8)		6 Units
WH6	Washer (Black steel, M8, Plain black)		4 Units

Fanatec Podium mounting bracket			
DD1	Fanatec DD sidemount base holder (Left)		1 Units
DD2	Fanatec DD sidemount base holder (Right)		1 Units
DD3	Fanatec DD sidemount profile holder (Left)		1 Units
DD4	Fanatec DD sidemount profile holder (Right)		1 Units
DD5	Profile 40 mm slot 8 (Black/Grey, 40x80L) - 194mm		2 Units
DD6	Slot 8 nut (M8)		8 Units
DD7	Bolt - DIN 7991 (Black steel, 20mm, M8)		8 Units
DD8	Bolt - DIN 912 (Black steel, 20mm, M8)		8 Units
DD9	Bolt - DIN 912 (Black steel, 20mm, M6)		4 Units
DD10	Washer (Black steel, M8, Plain black)		4 Units

## Parts list - Feet (optional kit)

BOX D	Sim Feet (Optional)		1 Units
F1	Leveling feet Diameter 80mm - M16x125		4 Units
F2	Nut (M16, DIN 934 nut, Galvanised)		8 Units
F3	Washer (Galvanised, M16, Plain black)		8 Units
F4	Slot 8 nut (M8)		8 Units
F5	Bolt - DIN 912 (Black steel, 25mm, M8)		8 Units
F6	Feet Support [alu 15mm]		4 Units