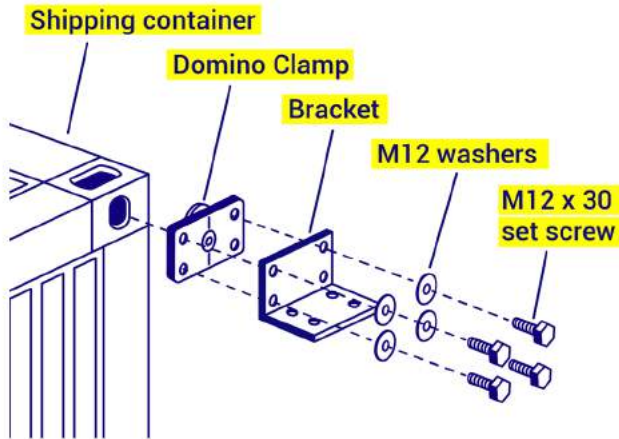




The smartest way to attach almost anything to shipping containers

Angle iron bracket (example template)



Notes

The length of the angle iron (150mm) is arbitrary and can be cut longer if required.

The thickness of the angle iron (10mm) is arbitrary and can be specified thicker or thinner if required.

If using thinner Angle iron, replace set screws with M12x25mm.

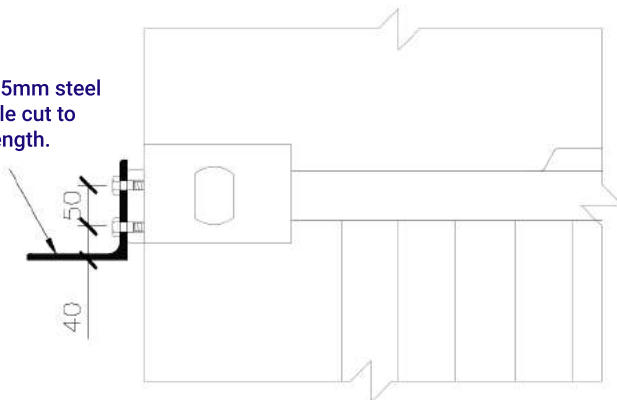
The angle iron can be used vveither way up.

The grade of steel is not specified.

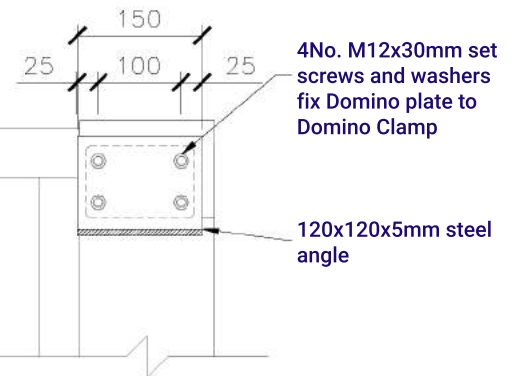
These drawings are for guidance only, and should be used and adapted only at the user's discretion.

Technical Drawings

120x120x5mm steel equal angle cut to 500mm length.

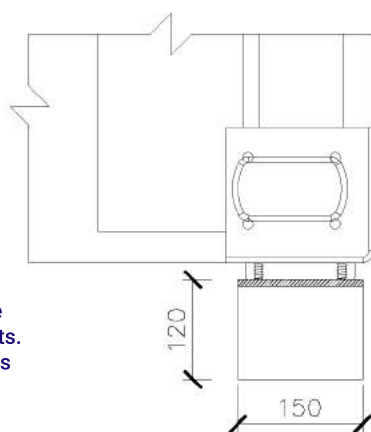


Angle iron bracket (side view)

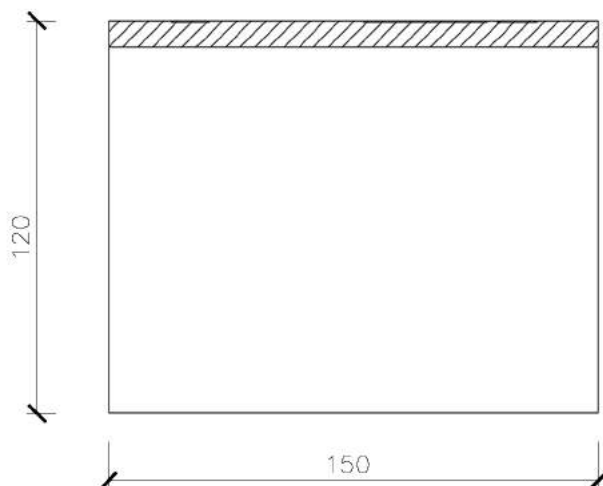


Domino Plate (front view)

The support plate must be drilled for your attachments. Specify drill hole diameters and spacings as required



Support Plate (Top view)



Support Plate (close up)

Use this drawing to specify your hole sizes and measurements.