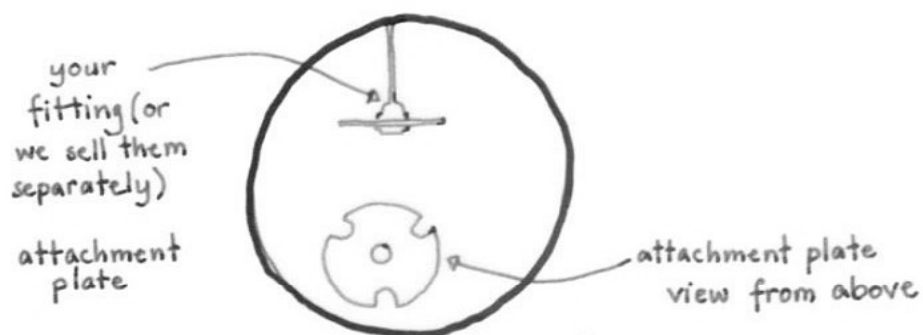
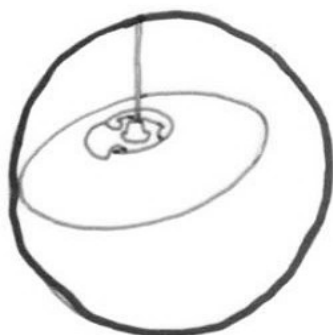


Etheletta Lampshade

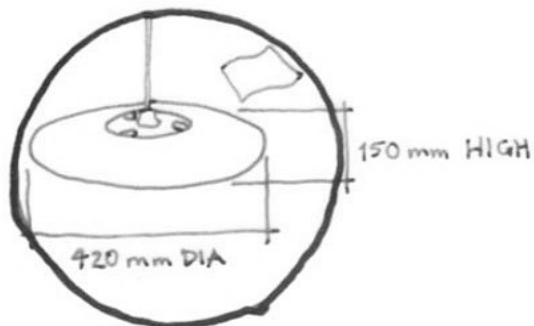
Made in UK



Place attachment plate onto your own fitting-with-shade-ring (fitting E14 or B22).



Hook lampshade onto stainless steel attachment plate by tilting it over one of the 3 U-shaped cut outs on plate.



Balance the lampshade on plate until hanging level. We recommend 5.5W LED lamp (pearl) or 7W, E14 or B22-fitting.

www.onefoottaller.com



www.onefoottaller.com

one foot taller