
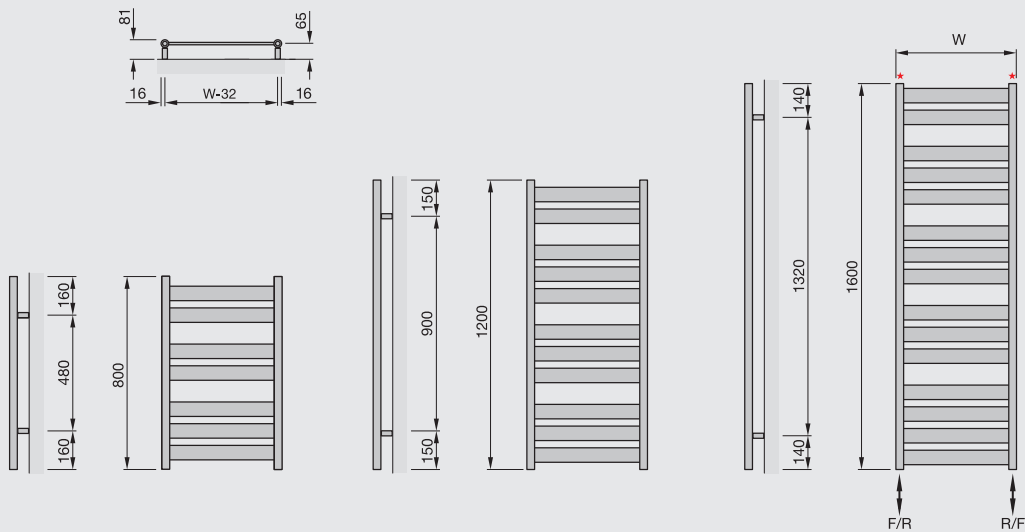



Central Heating Model <b>STOCK</b> listed in black	Height mm	Width mm	Pipe centres mm	Finish	Output $\Delta T=50K$ Watts/Btu All outputs certified to EN 442	Max. Immersion rating Watts	RRP (ex VAT)
 Zehnder Zeta							
<b>PQ6-080-050</b>	800	500	468	white	324/1105	200	<b>£142</b>
<b>PQ6-120-050</b>	1200	500	468	white	476/1624	300	<b>£186</b>
<b>PQ6-160-050</b>	1600	500	468	white	647/2208	400	<b>£260</b>
<b>PQ6-080-050-0346</b>	800	500	468	anthracite	342/1105	200	<b>£178</b>
<b>PQ6-120-050-0346</b>	1200	500	468	anthracite	476/1624	300	<b>£234</b>
<b>PQ6-160-050-0346</b>	1600	500	468	anthracite	647/2208	400	<b>£326</b>
<b>PQ6C-080-050</b>	800	500	468	chrome	203/689	200	<b>£193</b>
<b>PQ6C-080-060</b>	800	600	568	chrome	235/792	200	<b>£230</b>
<b>PQ6C-120-050</b>	1200	500	468	chrome	302/1034	300	<b>£260</b>
<b>PQ6C-120-060</b>	1200	600	568	chrome	350/1204	400	<b>£305</b>
<b>PQ6C-160-050</b>	1600	500	468	chrome	395/1344	400	<b>£361</b>
<b>PQ6C-160-060</b>	1600	600	568	chrome	457/1559	400	<b>£425</b>

Max. working pressure: 4 bar

 Dual Energy: Self Fit - Additional cost to Central Heating model prices see page 52 for details

\* air vent  
Width excludes air vent  
F = flow  
R = return  
Tube: Horizontal oval tube 60 x 10mm  
Tube: Vertical  $\varnothing$  32mm  
All dimensions in mm

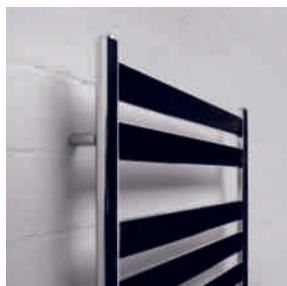


For full  compliant technical specifications, refer to page 53

## Zehnder Zeta



A popular variation of steel ladder rail suitable for installation on an existing central heating system. It is ideally suited for fitting with a dual energy electric immersion heater for use when the central heating is not in operation. The electric model is fitted with a correctly sized simple immersion heater, keeping this elegant ladder-type radiator affordable.



TRAFFIC WHITE



PQ6-120-050-0346 ANTHRACITE

Zehnder Aura

Stock Models														
Model code	Height mm	Width mm	Finish	Overall Projection mm	Pipe Centres mm		Outputs $\Delta T=50K$		Outputs $\Delta T=30K$		n Exponent	Weight kg	Water Content litres	Max. Immersion Rating
					radiator	from wall	Watts	Btu	Watts	Btu				
PBZ-080-040	775	400	white	95 to 105	356	65 to 75	287	979	152	519	1.23	5.58	3.1	200
PBZ-080-050	775	500	white	95 to 105	456	65 to 75	358	1221	194	662	1.20	5.74	3.6	200
PBZ-080-060	775	600	white	95 to 105	556	65 to 75	418	1426	228	777	1.19	6.2	4.1	300
PBZ-120-050	1217	500	white	95 to 105	456	65 to 75	512	1747	273	932	1.23	7.89	5.2	300
PBZ-120-060	1217	600	white	95 to 105	556	65 to 75	598	2040	319	1089	1.23	8.92	5.9	400
PBZ-150-050	1469	500	white	95 to 105	456	65 to 75	631	2153	335	1143	1.24	9.79	6.5	400
PBZ-150-060	1469	600	white	95 to 105	556	65 to 75	740	2525	395	1347	1.23	11.1	7.4	500/400
PBZ-180-050	1856	500	white	95 to 105	456	65 to 75	788	2689	418	1427	1.24	12.07	8.0	500/400
PBZ-180-060	1856	600	white	95 to 105	556	65 to 75	925	3156	491	1675	1.24	13.67	9.1	600
PBCZ-060-040	607	400	chrome	95 to 105	356	65 to 75	151	515	79	269	1.27	3.60	2.6	100/n/a
PBCZ-080-040	775	400	chrome	95 to 105	356	65 to 75	186	635	96	328	1.27	5.6	3.1	100/n/a
PBCZ-080-050	775	500	chrome	95 to 105	456	65 to 75	230	785	120	408	1.28	5.76	3.6	150/120
PBCZ-080-060	775	600	chrome	95 to 105	556	65 to 75	271	925	143	488	1.25	6.23	4.1	150/120
PBCZ-120-040	1217	400	chrome	95 to 105	356	65 to 75	278	949	142	485	1.28	8.0	4.5	200
PBCZ-120-050	1217	500	chrome	95 to 105	456	65 to 75	330	1126	171	583	1.29	7.92	5.2	200
PBCZ-120-060	1217	600	chrome	95 to 105	556	65 to 75	390	1331	203	692	1.28	8.96	5.9	300
PBCZ-150-040	1469	400	chrome	95 to 105	356	65 to 75	346	1181	177	604	1.29	9.8	5.6	300
PBCZ-150-050	1469	500	chrome	95 to 105	456	65 to 75	407	1389	211	718	1.29	9.83	6.5	300
PBCZ-150-060	1469	600	chrome	95 to 105	556	65 to 75	481	1641	250	853	1.28	11.15	7.4	300
PBCZ-180-040	1856	400	chrome	95 to 105	356	65 to 75	432	1473	221	754	1.30	10.45	7.1	300
PBCZ-180-050	1856	500	chrome	95 to 105	456	65 to 75	513	1750	264	901	1.30	12.12	8.0	300
PBCZ-180-060	1856	600	chrome	95 to 105	556	65 to 75	607	2071	316	1077	1.28	13.72	9.1	400
PBCZ-180-075	1856	750	chrome	95 to 105	706	65 to 75	741	2527	387	1321	1.27	17.20	10.7	500

Max. Working Pressure: 10 bar  
Max. Working Temperature: 120°C

Test House: WSP LAB  
Test House No: 1428

Zehnder Aura Curved

Stock Models														
Model code	Height mm	Width mm	Finish	Overall Projection mm	Pipe Centres mm		Outputs $\Delta T=50K$		Outputs $\Delta T=30K$		n Exponent	Weight kg	Water Content litres	Max. Immersion Rating
					radiator	from wall	Watts	Btu	Watts	Btu				
PBTZ-080-050	775	494	white	115 to 125	450	55 to 65	358	1221	194	662	1.20	5.54	3.6	200
PBTZ-080-060	775	595	white	115 to 125	551	55 to 65	418	1426	228	777	1.19	6.2	4.1	300
PBTZ-120-050	1217	494	white	115 to 125	450	55 to 65	512	1747	273	932	1.23	7.89	5.2	300
PBTZ-120-060	1217	595	white	115 to 125	551	55 to 65	598	2040	319	1089	1.23	8.92	5.9	400
PBTZ-180-050	1856	494	white	115 to 125	450	55 to 65	788	2689	418	1427	1.24	12.07	8.0	500/400
PBTZ-180-060	1856	595	white	115 to 125	551	55 to 65	925	3156	491	1675	1.24	13.67	9.1	600
PBTCZ-080-050	775	595	chrome	115 to 125	450	55 to 65	230	785	125	425	1.20	5.76	3.6	150/120
PBTCZ-080-060	1217	494	chrome	115 to 125	551	55 to 65	271	925	148	503	1.19	6.23	4.1	150/120
PBTCZ-120-050	1217	494	chrome	115 to 125	450	55 to 65	330	1126	176	601	1.23	7.92	5.2	200
PBTCZ-120-060	1217	595	chrome	115 to 125	551	55 to 65	390	1331	208	710	1.23	8.96	5.9	300
PBTCZ-180-050	1856	494	chrome	115 to 125	450	55 to 65	513	1750	272	929	1.24	12.12	8.0	300
PBTCZ-180-060	1856	595	chrome	115 to 125	551	55 to 65	607	2071	322	1099	1.24	13.72	9.1	400

Max. Working Pressure: 10 bar  
Max. Working Temperature: 120°C

Test House: WSP LAB  
Test House No: 1428

Zehnder Zeta

Stock Models														
Model code	Height mm	Width mm	Finish	Overall Projection mm	Pipe Centres mm		Outputs $\Delta T=50K$		Outputs $\Delta T=30K$		n Exponent	Weight kg	Water Content litres	Max. Immersion Rating
					radiator	from wall	Watts	Btu	Watts	Btu				
PQ6-080-050	800	500	white	81	468	65	324	1105	172	587	1.24	6.4	2.2	200
PQ6-120-050	1200	500	white	81	468	65	476	1624	253	863	1.24	10.1	3.7	300
PQ6-160-050	1600	500	white	81	468	65	647	2208	345	1177	1.23	13.3	4.6	400
PQ6-080-050-0346	800	500	anthracite	81	468	65	324	1105	172	587	1.24	6.4	2.2	200
PQ6-120-050-0346	1200	500	anthracite	81	468	65	476	1624	253	863	1.24	10.1	3.7	300
PQ6-160-050-0346	1600	500	anthracite	81	468	65	647	2208	345	1177	1.23	13.3	4.6	400
PQ6C-080-050	800	500	chrome	81	468	65	203	689	107	365	1.26	6.4	2.2	200
PQ6C-080-060	800	600	chrome	81	568	65	235	792	124	423	1.25	7.4	2.6	200
PQ6C-120-050	1200	500	chrome	81	468	65	302	1034	157	536	1.28	10.0	3.7	300
PQ6C-120-060	1200	600	chrome	81	568	65	350	1204	184	628	1.26	11.4	4.4	400
PQ6C-160-050	1600	500	chrome	81	468	65	395	1344	206	703	1.27	13.2	4.6	400
PQ6C-160-060	1600	600	chrome	81	568	65	457	1559	239	815	1.27	15.3	5.5	400

Max. Working Pressure: 4 bar  
Max. Working Temperature: 120°C

Test House: HLK STUTT GART  
Test House No: 0626