

# Zehnder Yucca Asym



Stocked Items

In stock items highlighted in black	Height mm	Width mm	Finish	Output $\Delta T=50^{\circ}C$ Watts/btu All outputs certified to EN 442	Dual Fuel Immersion Rating in Watts	RRP (ex VAT)	RRP (inc 20% VAT)
<b>Zehnder Yucca Asym Single (Horizontal tubes on left or right)</b>							
YA-090-050	872	478	white*	351/1198	250	£190	£228.00
YA-130-040	1304	378	white*	430/1467	300	£220	£264.00
YA-130-050	1304	478	white*	517/1764	300	£249	£298.80
YA-130-060	1304	578	white*	599/2044	400	£281	£337.20
YA-170-040	1736	378	white*	571/1948	400	£272	£326.40
YA-170-050	1736	478	white*	686/2341	400	£312	£374.40
YA-170-060	1736	578	white*	795/2713	500	£353	£423.60
YAC-090-050	872	478	chrome	254/867	150	£555	£666.00
YAC-130-040	1304	378	chrome	308/1051	200	£664	£796.80
YAC-130-050	1304	478	chrome	371/1266	250	£772	£926.40
YAC-130-060	1304	578	chrome	432/1474	300	£878	£1,053.60
YAC-170-040	1736	378	chrome	408/1392	250	£851	£1,021.20
YAC-170-050	1736	478	chrome	492/1679	300	£998	£1,197.60
YAC-170-060	1736	578	chrome	572/1952	400	£1,136	£1,363.20

<b>Zehnder Yucca Asym Double (Not available in chrome. Horizontal tubes on left or right)</b>							
YAD-130-040	1304	378	white*	628/2143	400	£334	£400.80
YAD-130-050	1304	478	white*	763/2603	500	£395	£474.00
YAD-130-060	1304	578	white*	893/3047	600	£456	£547.20
YAD-170-040	1736	378	white*	825/2815	500	£422	£506.40
YAD-170-050	1736	478	white*	1002/3419	700	£505	£606.00
YAD-170-060	1736	578	white*	1173/4002	700	£589	£706.80

8 - 10 day lead time.

\*White (RAL 9016)

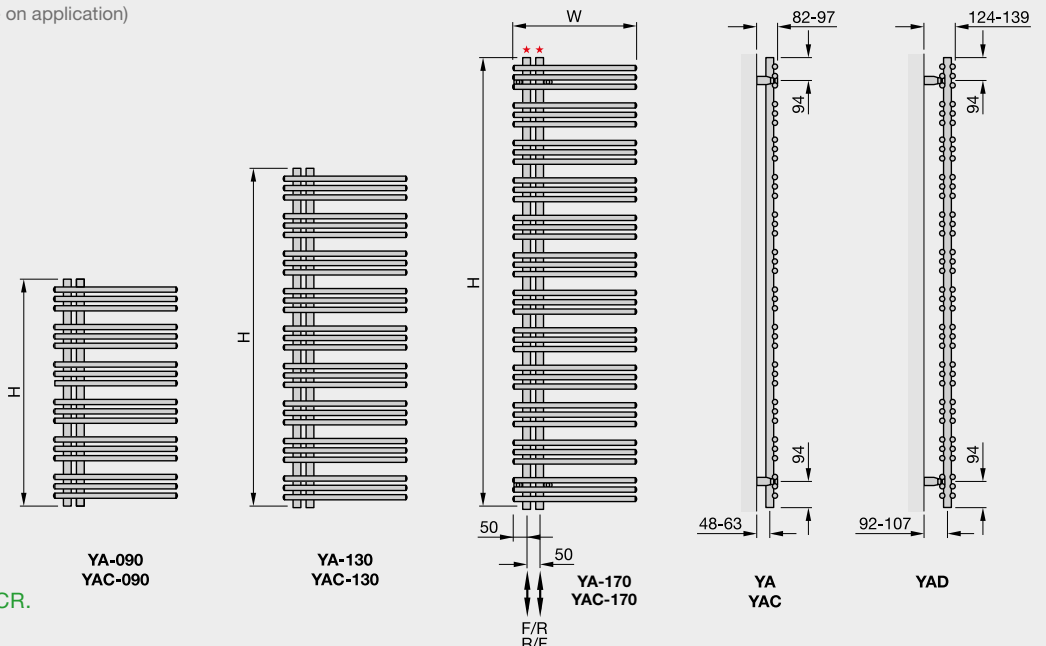
**Dual energy:** Self fit (additional cost to central heating model prices). For more information please scan the QR code.

**Colour finish:** Standard colours from the Zehnder colour chart including matt white finish are priced at: RAL 9016 +25%.  
Colour finish and non-stock products delivery: 3-5 weeks.

Accessories			
Model		RRP (ex VAT)	RRP (inc 20% VAT)
Room divider bracket (to be ordered with radiator where required)			
936011	white	£71	£85.20
936018	chrome	£99	£118.80
936019 + colour code	colour	£89	£106.80

Special lengths brackets made to order (price on application)

\*1/2" air vent  
Height excludes air vent  
F = flow  
R = return  
H = height  
W = width  
Tube: Horizontal  $\varnothing$  20mm  
Tube: Vertical  $\varnothing$  30mm  
All dimensions in mm



Zehnder recommends VALVE-SET-10-CR.  
For more information see page 180.

The **Yucca Asym** is a beautiful but practical towel rail. Available with single or double tubes in either white or chrome, the Yucca Asym can be installed perpendicular to the wall to create a partition.

Yucca Asym is also available in a variety of colours from the Zehnder colour chart.



YAC-130-050 CHROME 0008



Zehnder Yucca as a room divider




YA-130-040 VOLCANIC 0336



YA-170-040 WHITE QUARTZ 0521



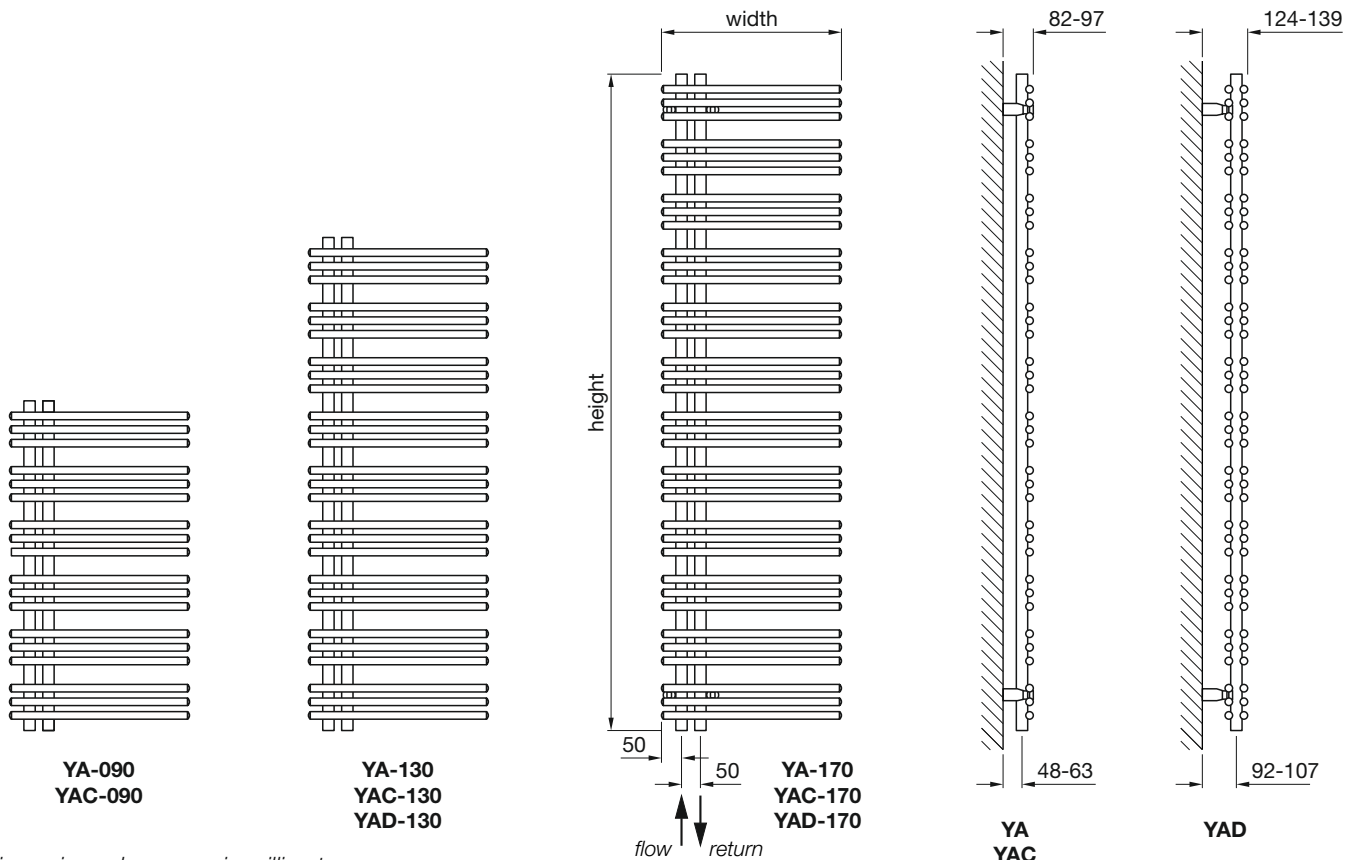
The complete  compliant technical specifications can be viewed by scanning here.



# Zehnder Yucca Asym

always the  
best climate

**zehnder**



All dimensions shown are in millimetres

Test pressure: **15.6 BAR**  
 Max working pressure: **12 BAR**  
 Max working temperature: **110° C**  
 All steel construction: **dia 30mm headers**

Connections: **1/2 inch BSP underside tapplings**

**Not suitable for use on domestic hot water system**

Heat output determined in accordance with EN 442  
 Test Laboratory: WSP, Test House No: 1428

flow & return can be reversed

\* rating for simple immersion/CTEC or CTEW in Watts

Model	Height ± 2mm	Width ± 2mm	Finish	Pipe Centres ± 2mm	Output ΔT=50K		Output ΔT=30K		n	Weight kg	Water Content litres	Max. Immersion Rating*
					Watts	Btu	Watts	Btu				
YA-090-050	872	478	painted	50	351	1198	185	631	1.26	9.2	2.8	250
YA-130-040	1304	378	painted	50	430	1467	225	768	1.27	11.1	3.7	300
YA-130-050	1304	478	painted	50	517	1764	271	925	1.27	13.3	4.2	300
YA-130-060	1304	578	painted	50	599	2044	314	1071	1.27	15.8	4.4	400
YA-170-040	1736	378	painted	50	571	1948	298	1017	1.27	14.8	4.9	400
YA-170-050	1736	478	painted	50	686	2341	358	1221	1.27	17.9	5.6	400
YA-170-060	1736	578	painted	50	795	2713	415	1416	1.27	21.1	6.3	500
YAC-090-050	872	478	chrome	50	254	867	131	447	1.29	9.2	2.8	150
YAC-130-040	1304	378	chrome	50	308	1051	159	543	1.30	11.1	3.7	200
YAC-130-050	1304	478	chrome	50	371	1266	191	652	1.30	13.3	4.2	250
YAC-130-060	1304	578	chrome	50	432	1474	222	757	1.30	15.8	4.4	300
YAC-170-040	1736	378	chrome	50	408	1392	209	713	1.31	14.8	4.9	250
YAC-170-050	1736	478	chrome	50	492	1679	252	860	1.31	17.9	5.6	300
YAC-170-060	1736	578	chrome	50	572	1952	293	1000	1.31	21.1	6.3	400
YAD-130-040	1304	378	painted	50	628	2143	326	1112	1.29	19.4	5.9	400
YAD-130-050	1304	478	painted	50	763	2603	396	1351	1.29	23.9	6.9	500
YAD-130-060	1304	578	painted	50	893	3047	463	1580	1.29	28.7	8.3	600
YAD-170-040	1736	378	painted	50	825	2815	426	1454	1.30	25.4	7.8	500
YAD-170-050	1736	478	painted	50	1002	3419	517	1764	1.30	32.0	9.1	700
YAD-170-060	1736	578	painted	50	1173	4002	605	2064	1.30	38.9	10.4	700

Issue 1.0



Zehnder Group UK Ltd

Concept House  
 Watchmoor Point  
 Camberley  
 Surrey GU15 3AD

Tel: 01276 605800  
 Fax: 01276 24058  
 retailsales@zehnder.co.uk  
 www.zehnder.co.uk

Registered in England: 2296696

## Tools & Material Required

Suitable valves  
PTFE tape  
Silicone thread sealant  
Tape measure  
Allen key - 13mm & 12mm (when installing Zehnder valves)  
Spanner - 13mm & 14mm  
Screwdriver - crosshead  
Electric drill  
Masonry drill bit  
Spirit level  
Stepladder (for taller radiators)

Key	Component	Qty
A	Air Vent - 1/2"	1
B	Blanking Plug	1
C	Clamp - Outer	3
D	Clamp - Inner	3
E	Boss	3
F	Wall Plug	3
G	Bracket	3
H	Screw - Hex Head, 6mm dia x 60mm	3
I	Washer	3
J	Grub Screw	3
K	Allen Key	1

## Assembly Instructions

Sufficient PTFE tape must be applied to valve-tail threads prior to their installation.

Silicone thread sealant should be applied to all threaded components manufactured with 'O-rings'.

Fit valve tails, using correct size Allen key.

Fit air vent (A) & blanking plug (B).

Assemble outer clamps (C), inner clamps (D) & bosses (E) on radiator.

Accurately mark out bracket holes on wall using spirit level.

Drill three holes to a minimum depth of 65mm & insert wall plugs (F).

Screw brackets (G) into wall plugs (F) with 6mm diameter x 70mm screws (H) & washers (I).

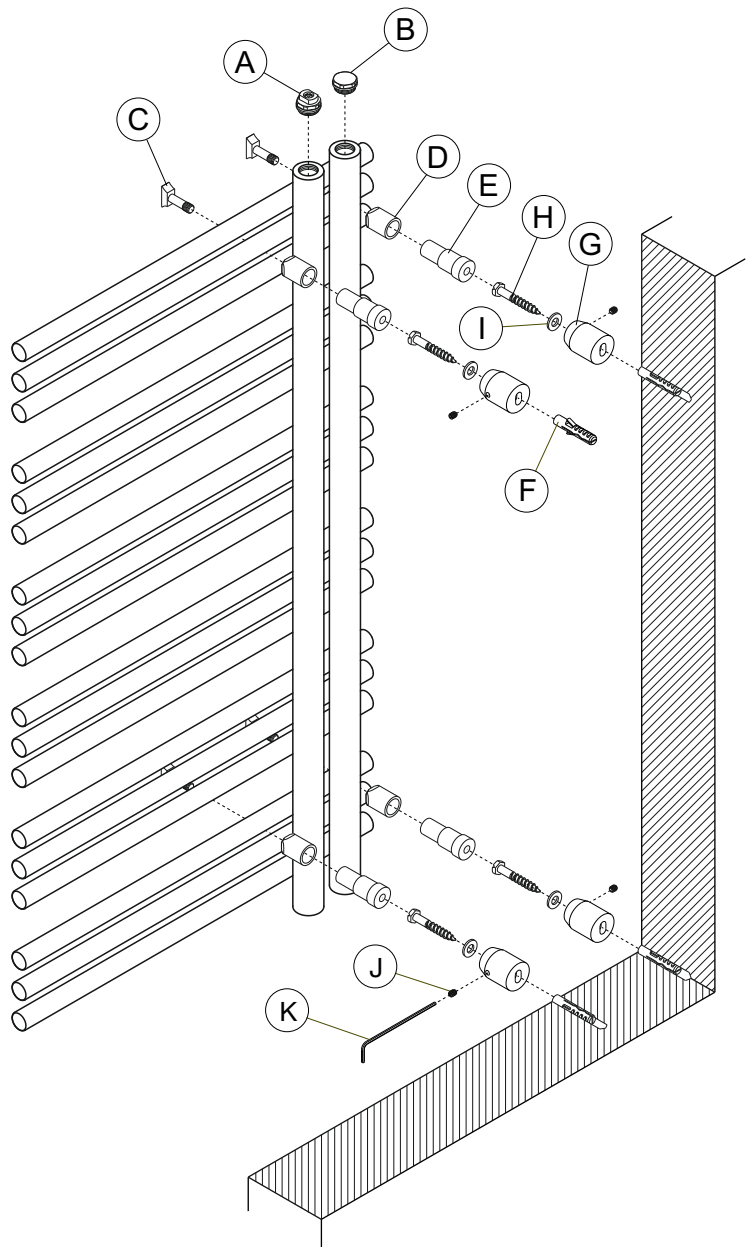
Offer radiator up to wall and slide clamp assembly (C,D & E) into brackets (G).

Secure in position by tightening grub screw (J) with Allen key (K).

Tighten outer clamps (C).

Plumb radiator to heating circuit with flow opposite air vent.

This radiator should be installed onto a central heating system that has been cleaned/flushed and contains water treatment and inhibitors in accordance with BS7593.



Issue 1.0