

Zehnder Subway



Stocked Items

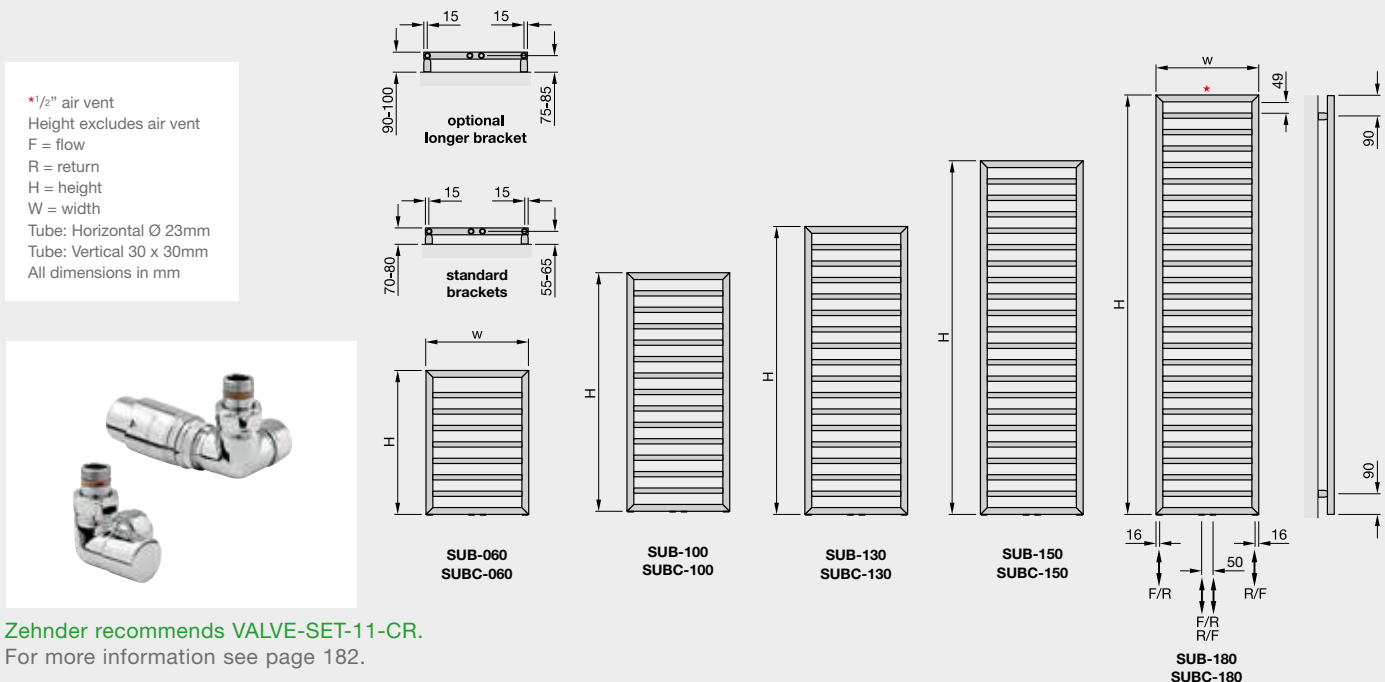
In stock items highlighted in black	Height mm	Width mm	Finish	Output $\Delta T=50^{\circ}C$ Watts/btu All outputs certified to EN 442	Dual Fuel Immersion Rating in Watts	RRP (ex VAT)	RRP (inc 20% VAT)
Zehnder Subway							
SUB-060-045	613	450	white*	310/1058	200	£249	£298.80
SUB-100-045	973	450	white*	401/1368	250	£267	£320.40
SUB-100-060	973	600	white*	499/1703	300	£290	£348.00
SUB-130-045	1261	450	white*	509/1737	300	£295	£354.00
SUB-130-060	1261	600	white*	639/2180	400	£330	£396.00
SUB-150-045	1549	450	white*	615/2098	400	£346	£415.20
SUB-150-060	1549	600	white*	772/2634	500	£385	£462.00
SUB-180-045	1837	450	white*	715/2440	500	£391	£469.20
SUB-180-060	1837	600	white*	898/3064	600	£433	£519.60
SUBC-060-045	613	450	chrome	205/699	100	£540	£648.00
SUBC-100-045	973	450	chrome	265/904	150	£694	£832.80
SUBC-100-060	973	600	chrome	329/1123	200	£784	£940.80
SUBC-130-045	1261	450	chrome	336/1146	200	£786	£943.20
SUBC-130-060	1261	600	chrome	408/1392	250	£871	£1,045.20
SUBC-150-045	1549	450	chrome	413/1409	250	£929	£1,114.80
SUBC-150-060	1549	600	chrome	502/1713	300	£1,030	£1,236.00
SUBC-180-045	1837	450	chrome	486/1658	300	£1,037	£1,244.40
SUBC-180-060	1837	600	chrome	590/2013	400	£1,154	£1,384.80

*White (RAL 9016)

Dual energy: Self fit (additional cost to central heating model prices). For more information please scan the QR code.

Colour finish: Standard colours from the Zehnder colour chart including matt white finish are priced at: RAL 9016 +25%.
Colour finish and non-stock products delivery: 3-5 weeks.

Optional wall brackets: Increases space behind rail by 20mm			
Model		RRP (ex VAT)	RRP (inc 20% VAT)
952111	Zehnder Subway SUB extended bracket kit. White finish.	£58	£69.60
952118	Zehnder Subway SUBC extended bracket kit. Chrome finish.	£58	£69.60
952119	Zehnder Subway SUB extended bracket kit. Colour finish.	£58	£69.60



Zehnder recommends VALVE-SET-11-CR.
For more information see page 182.

The **Subway** is a simple yet elegant towel rail and a popular choice for modern bathrooms. Stocked in either white, chrome and three other colours as standard, the Subway is also available in a variety of colours from the Zehnder colour chart.

Where space is restricted the Zehnder Subway is available with a room divider bracket option. To order this version please stipulate on your purchase order at the time of ordering.

Additional price:
White finish: £57
Colour finish: £71
Chrome finish: £74



The complete CE compliant technical specifications can be viewed by scanning here.



Zehnder Subway



Stocked Items

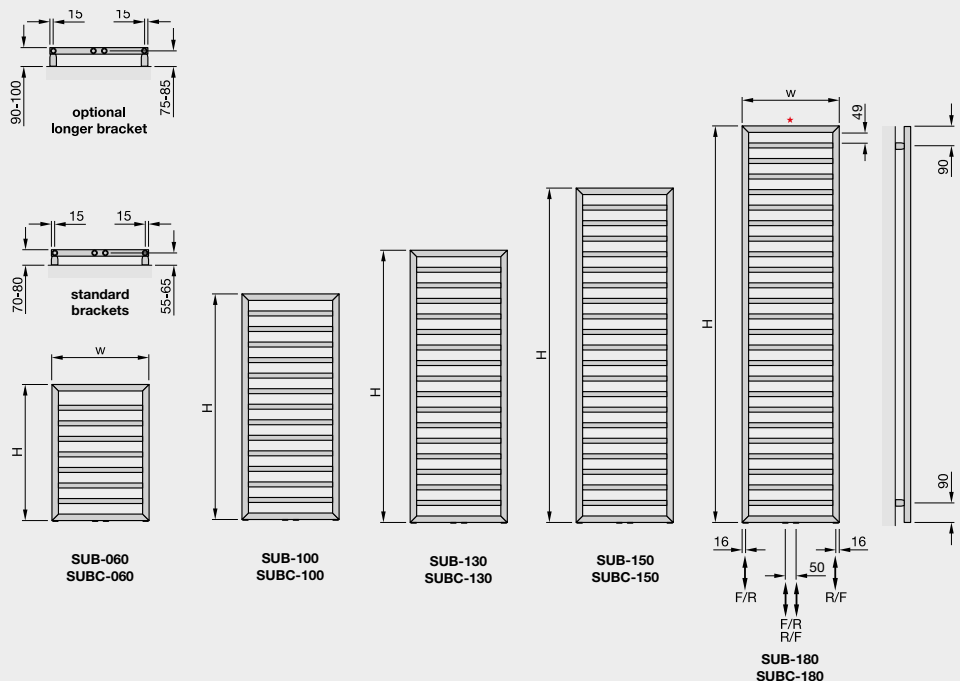
In stock items highlighted in black	Height mm	Width mm	Finish	Output $\Delta T=50^{\circ}C$ Watts/btu All outputs certified to EN 442	Dual Fuel Immersion Rating in Watts	RRP (ex VAT)	RRP (inc 20% VAT)
Zehnder Subway							
SUB-060-045-0335	613	450	titane	310/1058	200	£311	£373.20
SUB-100-045-0335	973	450	titane	401/1368	250	£334	£400.80
SUB-100-060-0335	973	600	titane	499/1703	300	£363	£435.60
SUB-130-045-0335	1261	450	titane	509/1737	300	£369	£442.80
SUB-130-060-0335	1261	600	titane	639/2180	400	£413	£495.60
SUB-150-060-0335	1549	600	titane	772/2634	500	£481	£577.20
SUB-180-045-0335	1837	450	titane	715/2440	500	£489	£586.80
SUB-060-045-0336	613	450	volcanic	310/1058	200	£311	£373.20
SUB-100-045-0336	973	450	volcanic	401/1368	250	£334	£400.80
SUB-100-060-0336	973	600	volcanic	499/1703	300	£363	£435.60
SUB-130-045-0336	1261	450	volcanic	509/1737	300	£369	£442.80
SUB-130-060-0336	1261	600	volcanic	639/2180	400	£413	£495.60
SUB-150-060-0336	1549	600	volcanic	772/2634	500	£481	£577.20
SUB-180-045-0336	1837	450	volcanic	715/2440	500	£489	£586.80
SUB-060-045-0557	613	450	matt black	310/1058	200	£311	£373.20
SUB-100-045-0557	973	450	matt black	401/1368	250	£334	£400.80
SUB-100-060-0557	973	600	matt black	499/1703	300	£363	£435.60
SUB-130-045-0557	1261	450	matt black	509/1737	300	£369	£442.80
SUB-130-060-0557	1261	600	matt black	639/2180	400	£413	£495.60
SUB-150-060-0557	1549	600	matt black	772/2634	500	£481	£577.20
SUB-180-045-0557	1837	450	matt black	715/2440	500	£489	£586.80
SUB-180-060-0557	1837	600	matt black	898/3064	600	£541	£649.20

Dual energy: Self fit (additional cost to central heating model prices). For more information please scan the QR code.

Colour finish: Standard colours from the Zehnder colour chart including matt white finish are priced at: RAL 9016 +25%.
Colour finish and non-stock products delivery: 3-5 weeks.

Optional wall brackets: Increases space behind rail by 20mm		RRP (ex VAT)	RRP (inc 20% VAT)
Model	Zehnder Subway SUB extended bracket kit. Colour finish.	£58	£69.60

*1/2" air vent
Height excludes air vent
F = flow
R = return
H = height
W = width
Tube: Horizontal \varnothing 23mm
Tube: Vertical 30 x 30mm
All dimensions in mm



Zehnder recommends VALVE-SET-11-CR.
For more information see page 180.

With its classic lines and broad appeal, the contemporary **Subway** towel rail offers comfort and superb design in colour and chrome.

Also available in stainless steel finishes. See page 116.

Where space is restricted the Zehnder Subway is available with a room divider bracket option. To order this version please stipulate on your purchase order at the time of ordering.

Additional price:
White finish: £57
Colour finish: £71
Chrome finish: £74



The complete CE compliant technical specifications can be viewed by scanning here.



Zehnder Subway Electric



Stocked Items

In stock items highlighted in black	Height mm	Width mm	Finish	Simple immersion heater Class II IPX4 Zones 1 & 2 Electric rating (Watts)	RRP (ex VAT)	RRP (inc 20% VAT)
Zehnder Subway Electric						
SUBSS130045EAZK	1261	450	white*	500	£404	£484.80
SUBSS150045EAZK	1549	450	white*	600	£466	£559.20
SUBSS150060EAZK	1549	600	white*	750	£509	£610.80
SUBSS180060EAZK	1837	600	white*	900	£566	£679.20
SUBCS130045EAZK	1261	450	chrome	300	£920	£1,104.00
SUBCS150045EAZK	1549	450	chrome	300	£1,078	£1,293.60
SUBCS150060EAZK	1549	600	chrome	500	£1,191	£1,429.20
SUBCS180060EAZK	1837	600	chrome	600	£1,324	£1,588.80

Electric Heating Model	Height mm	Width mm	Finish	Radio frequency remote programmer IPX4 Zone 1 Bath, Zone 2 Shower, Class II Electric rating (Watts)	RRP (ex VAT)	RRP (inc 20% VAT)
Zehnder Subway Electric Heating Model						
SUBE-130-045/GF	1261	450	white*	500	£757	£908.40
SUBE-150-045/GF	1549	450	white*	600	£824	£988.80
SUBE-150-060/GF	1549	600	white*	750	£903	£1,083.60
SUBE-180-060/GF	1837	600	white*	900	£979	£1,174.80
SUBEC-130-045/GF	1261	450	chrome	300	£1,314	£1,576.80
SUBEC-150-045/GF	1549	450	chrome	300	£1,522	£1,826.40
SUBEC-150-060/GF	1549	600	chrome	500	£1,672	£2,006.40
SUBEC-180-060/GF	1837	600	chrome	600	£1,819	£2,182.80

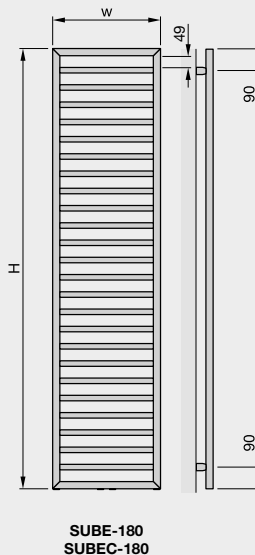
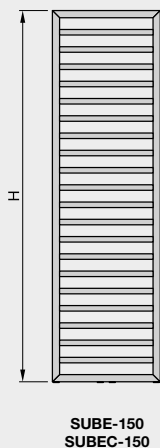
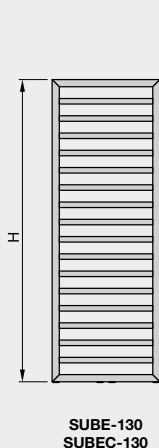
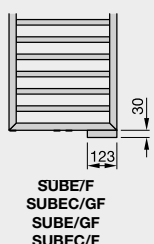
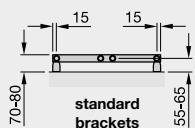
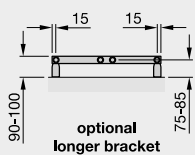
*White (RAL 9016)

The immersion heater is fitted to the right hand header.

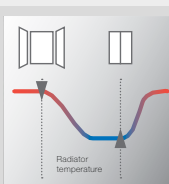
Note: Height does not include the immersion heater. (See diagrams below)

Colour finish: Standard colours from the Zehnder colour chart including matt white finish are priced at: RAL 9016 +25%.
Colour finish and non-stock products delivery: 3-5 weeks.

Optional wall brackets: Increases space behind rail by 20mm			
Model		RRP (ex VAT)	RRP (inc 20% VAT)
954111	Zehnder Subway Electric SUBE extended bracket kit. White finish.	£58	£69.60
954118	Zehnder Subway Electric SUBEC extended bracket kit. Chrome finish.	£58	£69.60
954119	Zehnder Subway Electric SUBE extended bracket kit. Colour finish.	£58	£69.60



H = height
W = width
Tube: Horizontal Ø 23mm
Tube: Vertical 30 x 30mm
All dimensions in mm



Open Window detection

The Integral control unit recognises if a window has been opened for an extended period and switches the radiator off. Once the window is closed, the radiator returns to normal operation.

- External temperature sensor recognises temperature changes.
- Integral thermostat reacts to sensor information
- Radiator automatically switches off if a window is open for an extended period.
- Intelligent heating that saves energy and costs.

The simple elegance of the **Subway Electric** is maintained with either a simple immersion heater or a radio frequency remote programmer. Also available in stainless steel see page 116.

Where space is restricted the Zehnder Subway Electric is available with a room divider bracket option. To order this version please stipulate on your purchase order at the time of ordering.

Additional price:
 White finish: £57
 Colour finish: £71
 Chrome finish: £74



SUBE-150-045/GF PURE WHITE 9010



Electric Option
 Radio frequency remote programmer, scan the QR code.



The complete CE compliant technical specifications can be viewed by scanning here.



SUBEI-150-045/GF STAINLESS STEEL

Zehnder

Subway Stainless Steel



Stocked Items

In stock items highlighted in black	Height mm	Width mm	Finish	Output $\Delta T=50^{\circ}\text{C}$ Watts/btu All outputs certified to EN 442	Dual Fuel Immersion Rating in Watts	RRP (ex VAT)	RRP (inc 20% VAT)
Zehnder Subway Stainless Steel (brushed)							
SUBI-060-045	613	450	s/steel brushed	221/754	150	£610	£732.00
SUBI-130-045	1261	450	s/steel brushed	370/1262	250	£854	£1,024.80
SUBI-130-060	1261	600	s/steel brushed	447/1525	300	£947	£1,136.40
SUBI-150-045	1549	450	s/steel brushed	445/1518	300	£1,007	£1,208.40
SUBI-150-060	1549	600	s/steel brushed	538/1836	300	£1,119	£1,342.80
SUBI-180-045	1837	450	s/steel brushed	523/1784	300	£1,127	£1,352.40
SUBI-180-060	1837	600	s/steel brushed	633/2160	400	£1,251	£1,501.20

Dual energy: Self fit (additional cost to central heating model prices). For more information please scan the QR code.

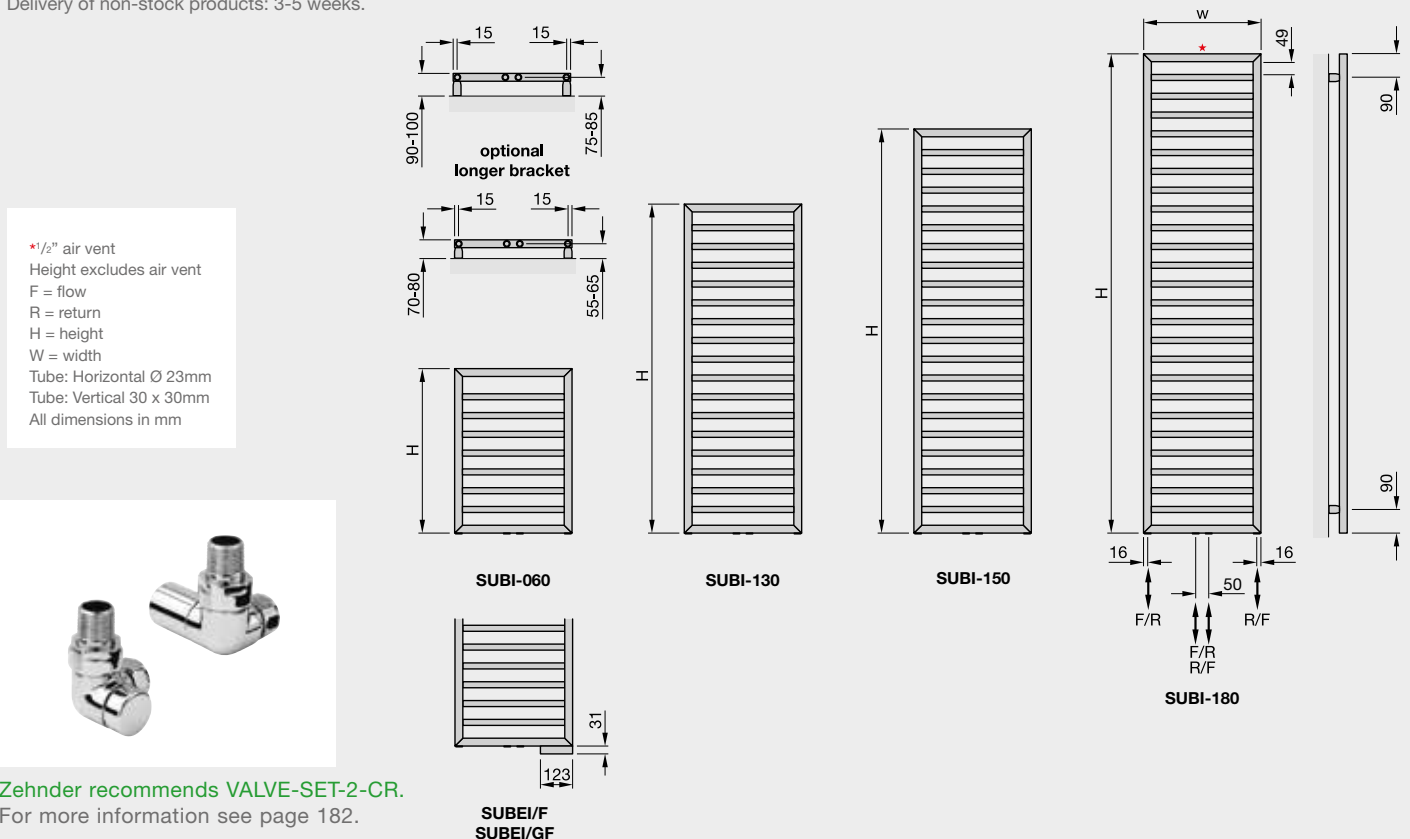
Height mm	Width mm	Finish	Simple immersion heater Class II IPX4 Zones 1 & 2 Electric rating (Watts)				Radio frequency remote programmer IPX4 Zone 1 Bath, Zone 2 Shower, Class II Electric rating (Watts)			
			Model	Electric rating	RRP (ex VAT)	RRP (inc 20% VAT)	Model	Electric rating	RRP (ex VAT)	RRP (inc 20% VAT)
Zehnder Subway Stainless Steel (brushed) Electric Heating Model										
1261	450	s/steel	SUBIS130045EAZK	300	£989	£1,186.80	SUBEI-130-045/GF	300	£1,420	£1,704.00
1549	450	s/steel	SUBIS150045EAZK	300	£1,162	£1,394.40	SUBEI-150-045/GF	300	£1,675	£2,010.00
1549	600	s/steel	SUBIS150060EAZK	500	£1,285	£1,542.00	SUBEI-150-060/GF	500	£1,881	£2,257.20
1837	600	s/steel	SUBIS180060EAZK	600	£1,431	£1,717.20	SUBEI-180-060/GF	600	£2,059	£2,470.80

Note: Height includes immersion heater (See diagrams below).

Optional wall brackets: Increases space behind rail by 20mm

Model		RRP (ex VAT)	RRP (inc 20% VAT)
952119	Zehnder Subway SUB extended bracket kit. Colour finish.	£58	£69.60
954119	Zehnder Subway Electric SUBE extended bracket kit. Colour finish.	£58	£69.60

All brackets for stainless steel radiators are supplied with an Inox painted stainless steel finish.
Delivery of non-stock products: 3-5 weeks.



With its classic lines and broad appeal, the stainless steel **Subway** towel rail offers versatility, comfort and superb design. Ideal for wetrooms and suitable for dual energy installation for year-round comfort.



Simple and Radio Frequency

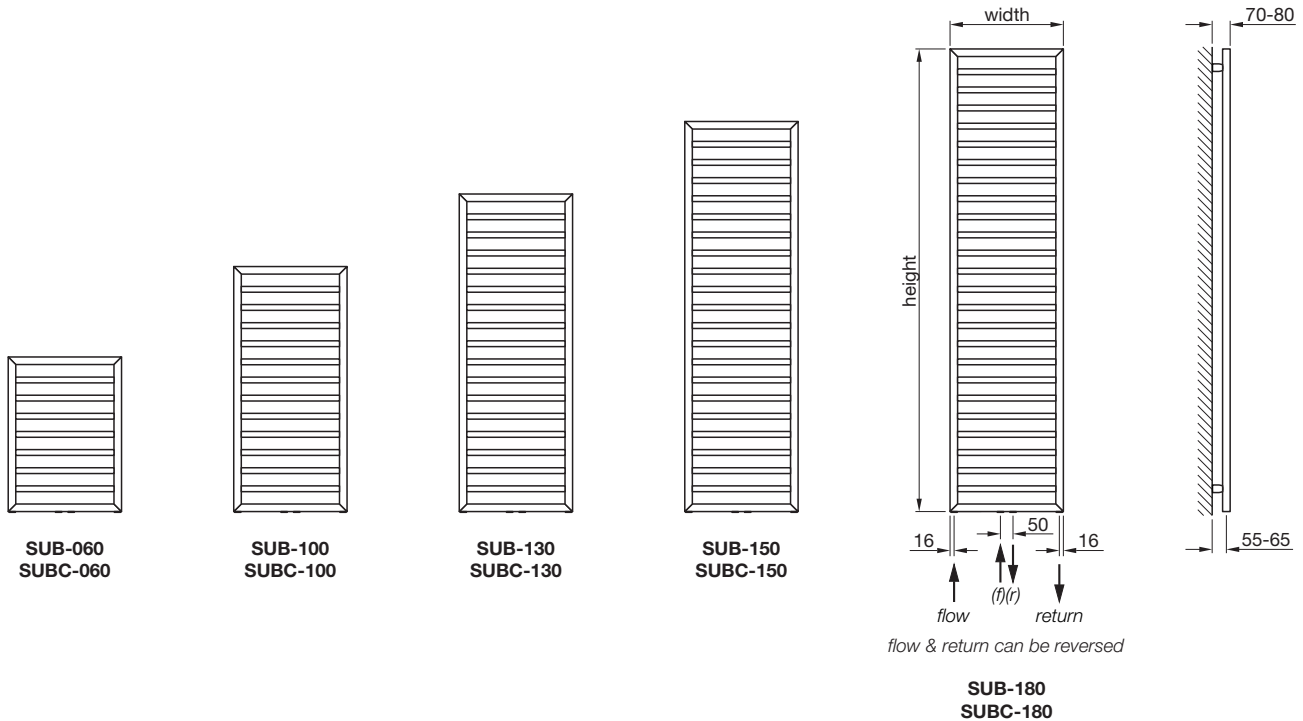


Electric Option
Radio frequency remote programmer, scan the QR code.



The complete CE compliant technical specifications can be viewed by scanning here.





All dimensions shown are in millimetres

- Test pressure: **? BAR**
- Max working pressure: **10 BAR**
- Max working temperature: **120° C**
- All steel construction: **dia 23mm horizontal tubes**
30mm x 30mm headers
- Connections: **½ inch BSP underside tappings**

Not suitable for use on domestic hot water system

Heat output determined in accordance with EN 442
Test Laboratory: HLK Stuttgart, Test Lab Registration No: 0626

* rating for simple immersion/CTEC or CTEW in Watts

Model	Height ± 2mm	Width ± 2mm	Finish	Pipe Centres ± 2mm	Output ΔT=50K		Output ΔT=30K		n	Weight kg	Water Content litres	Max. Immersion Rating*
					Watts	Btu	Watts	Btu				
SUB-060-045	613	450	painted	50/418	310	1058	164	560	1.25	5.2	2.3	200
SUB-100-045	973	450	painted	50/418	401	1368	212	723	1.25	6.7	3.5	300
SUB-100-060	973	600	painted	50/568	499	1703	264	901	1.25	8.3	4.3	300
SUB-130-045	1261	450	painted	50/418	509	1737	269	918	1.25	8.6	4.5	300
SUB-130-060	1261	600	painted	50/568	639	2180	337	1150	1.25	10.5	5.4	400
SUB-150-045	1549	450	painted	50/418	615	2098	325	1109	1.25	10.6	5.4	400
SUB-150-060	1549	600	painted	50/568	772	2634	408	1392	1.25	12.5	7.2	500
SUB-180-045	1837	450	painted	50/418	715	2440	380	1297	1.24	12.2	6.3	500
SUB-180-060	1837	600	painted	50/568	898	3064	477	1628	1.24	14.7	7.7	600
SUBC-060-045	613	450	chrome	50/418	205	699	107	365	1.27	5.0	2.3	100
SUBC-100-045	973	450	chrome	50/418	265	904	139	474	1.27	6.5	3.5	200
SUBC-100-060	973	600	chrome	50/568	329	1123	173	590	1.26	8.1	4.3	200
SUBC-130-045	1261	450	chrome	50/418	335	1143	175	597	1.27	8.4	4.5	200
SUBC-130-060	1261	600	chrome	50/568	406	1385	213	727	1.26	10.2	5.4	300
SUBC-150-045	1549	450	chrome	50/418	420	1433	220	751	1.27	10.1	5.4	300
SUBC-150-060	1549	600	chrome	50/568	508	1733	267	911	1.26	12.3	7.2	300
SUBC-180-045	1837	450	chrome	50/418	485	1655	254	867	1.27	11.8	6.3	300
SUBC-180-060	1837	600	chrome	50/568	592	2020	311	1061	1.26	14.3	7.7	400

Issue 1.0



Tools & Material Required

Suitable valves
PTFE tape
Silicone thread sealant
Tape measure
Allen key - 13mm & 12mm (when installing Zehnder valves)
Spanner - 13mm & 14mm
Screwdriver - crosshead
Pliers
Electric drill
Masonry drill bit
Spirit level
Stepladder (for taller radiators)

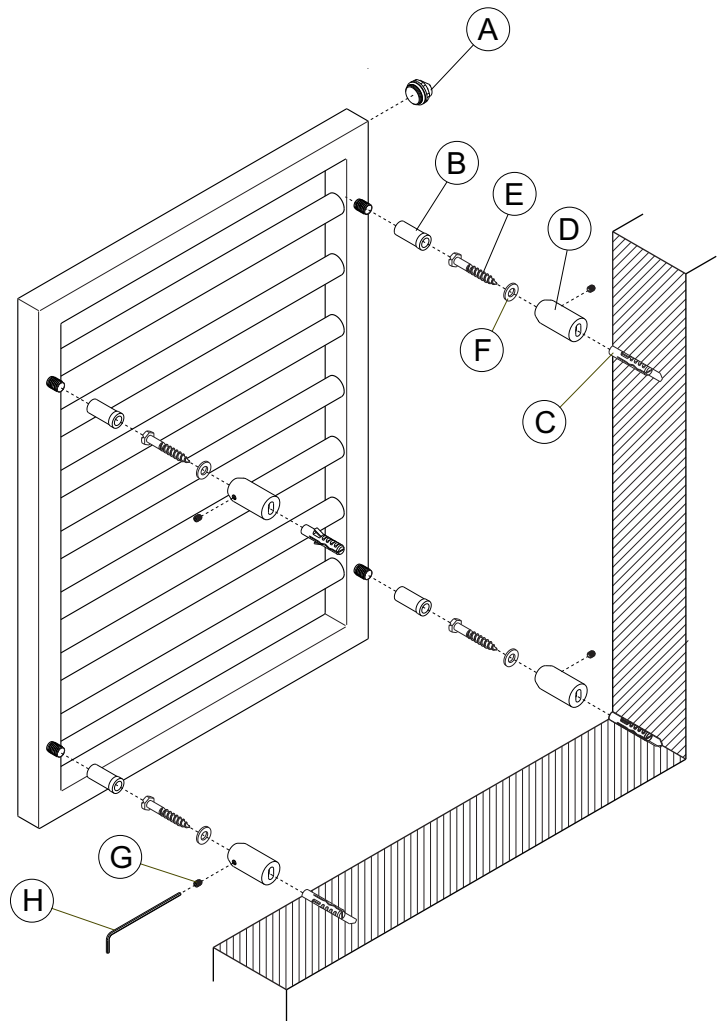
Key	Component	Qty
A	Air Vent - 1/2"	1
B	Boss	4
C	Wall Plug	4
D	Bracket	4
E	Screw, 6mm dia x 50mm	4
F	Washer	4
G	Grub Screw	4
H	Allen Key	1

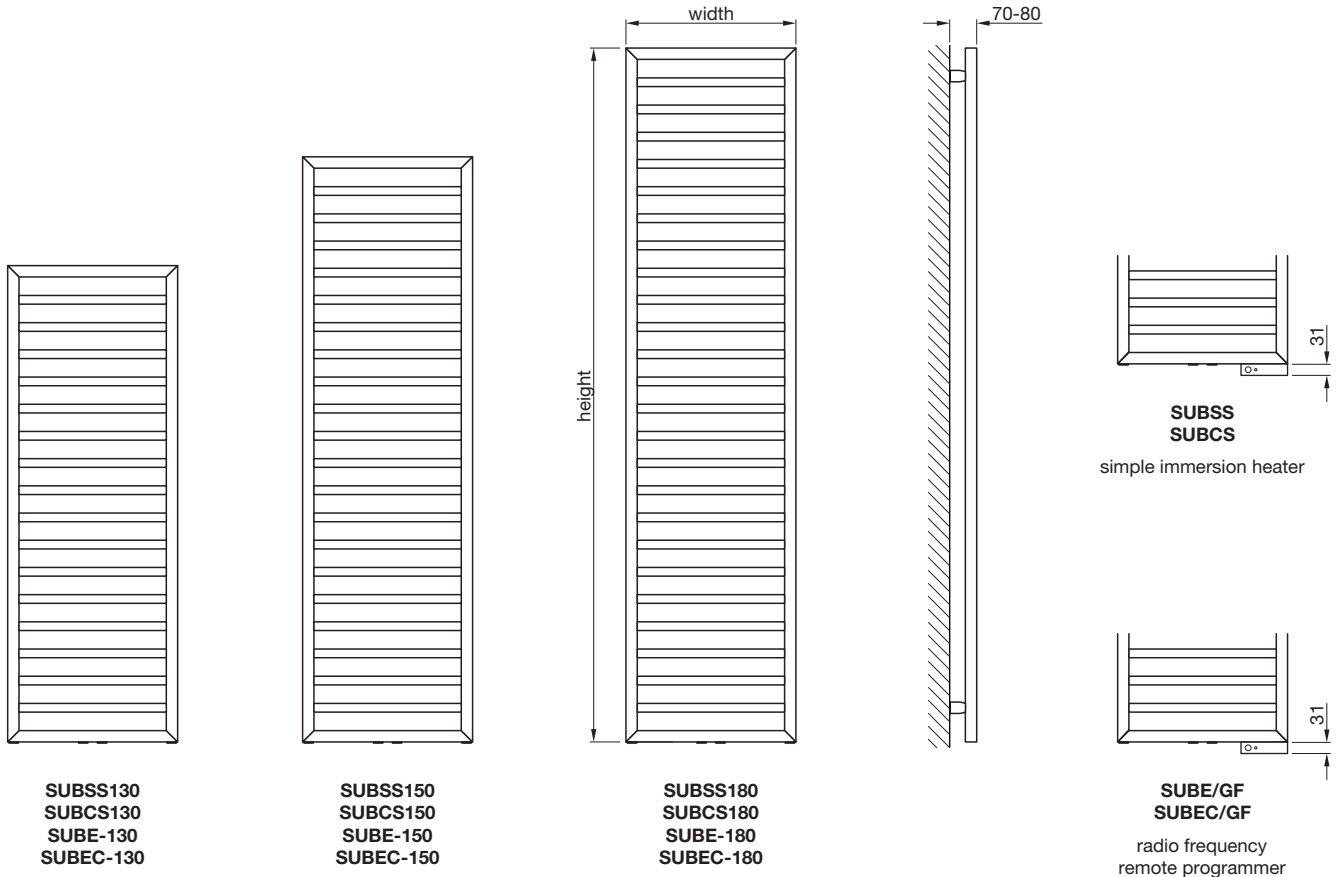
Assembly Instructions

Sufficient PTFE tape must be applied to valve-tail threads prior to their installation.
Silicone thread sealant should be applied to all threaded components manufactured with 'O-rings'.

- Fit valve tails, using correct size Allen key.
- Fit air vent (A).
- Screw bosses (B) to studs on the back of the radiator.
- Accurately mark out bracket holes on wall using spirit level.
- Drill four holes to a minimum depth of 65mm & insert wall plugs (C).
- Attach brackets (D) to wall with screws (E) & washers (F).
- Hang radiator onto wall by inserting bosses (B) into brackets (D).
- Tighten grub screws (G) with Allen key (H).
- Plumb radiator to heating circuit with flow opposite air vent.

This radiator should be installed onto a central heating system that has been cleaned/flushed and contains water treatment and inhibitors in accordance with BS7593.





SUBSS130
SUBCS130
SUBE-130
SUBEC-130

SUBSS150
SUBCS150
SUBE-150
SUBEC-150

SUBSS180
SUBCS180
SUBE-180
SUBEC-180

SUBSS
SUBCS
simple immersion heater

SUBE/GF
SUBEC/GF
radio frequency
remote programmer

All dimensions shown are in millimetres

All steel construction: **dia 23mm horizontal tubes**
30mm x 30mm headers

Connections: **1.2m long flying lead (2 core)**

* does not include immersion heater

Model	Height* ± 2mm	Width ± 2mm	Finish	Output Watts	Weight kg
SUBSS130045EAZK	1261	450	painted	500	12.2
SUBSS150045EAZK	1549	450	painted	600	14.7
SUBSS150060EAZK	1549	600	painted	750	17.9
SUBSS180060EAZK	1837	600	painted	900	21.0
SUBCS130045EAZK	1261	450	chrome	300	12.2
SUBCS150045EAZK	1549	450	chrome	300	14.7
SUBCS150060EAZK	1549	600	chrome	500	17.9
SUBCS180060EAZK	1837	600	chrome	600	21.0
SUBE-130-045/GF	1261	450	painted	500	12.6
SUBE-150-045/GF	1549	450	painted	600	15.3
SUBE-150-060/GF	1549	600	painted	750	18.3
SUBE-180-060/GF	1837	600	painted	900	21.1
SUBEC-130-045/GF	1261	450	chrome	300	12.6
SUBEC-150-045/GF	1549	450	chrome	300	15.3
SUBEC-150-060/GF	1549	600	chrome	500	18.3
SUBEC-180-060/GF	1837	600	chrome	600	21.1

Issue 1.0



Tools & Material Required

Tape measure
Spanner - 13mm & 14mm
Screwdriver - crosshead
Pliers
Electric drill
Masonry drill bit
Spirit level
Stepladder (for taller radiators)

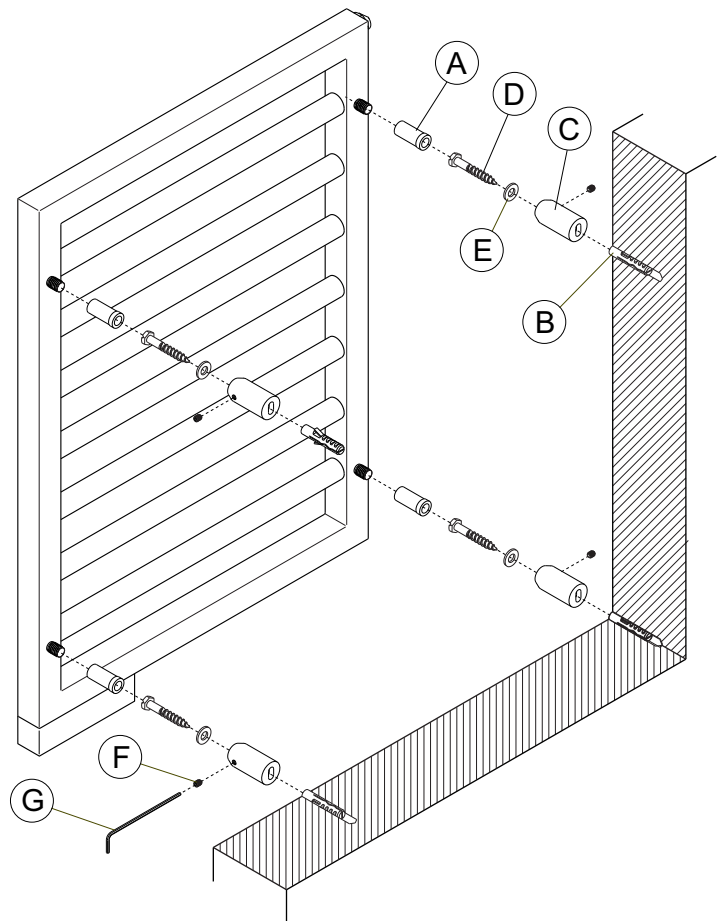
Key	Component	Qty
A	Boss	4
B	Wall Plug	4
C	Bracket	4
D	Screw, 6mm dia x 50mm	4
E	Washer	4
F	Grub Screw	4
G	Allen Key	1

Assembly Instructions

- Screw bosses (A) to studs on the back of the radiator.
- Accurately mark out bracket holes on wall using spirit level.
- Drill four holes to a minimum depth of 65mm & insert wall plugs (B).
- Attach brackets (C) to wall with screws (D) & washers (E).
- Hang radiator onto wall by inserting bosses (A) into brackets (C).
- Tighten grub screws (F) with Allen key (G).

Electric radiators should be fitted only by a qualified electrician and must be earthed and connected to a cable outlet in the bathroom in accordance with I.E.E. wiring regulations. The electrical connection should be made to a '5 amp fused fixed spur' located outside the bathroom.

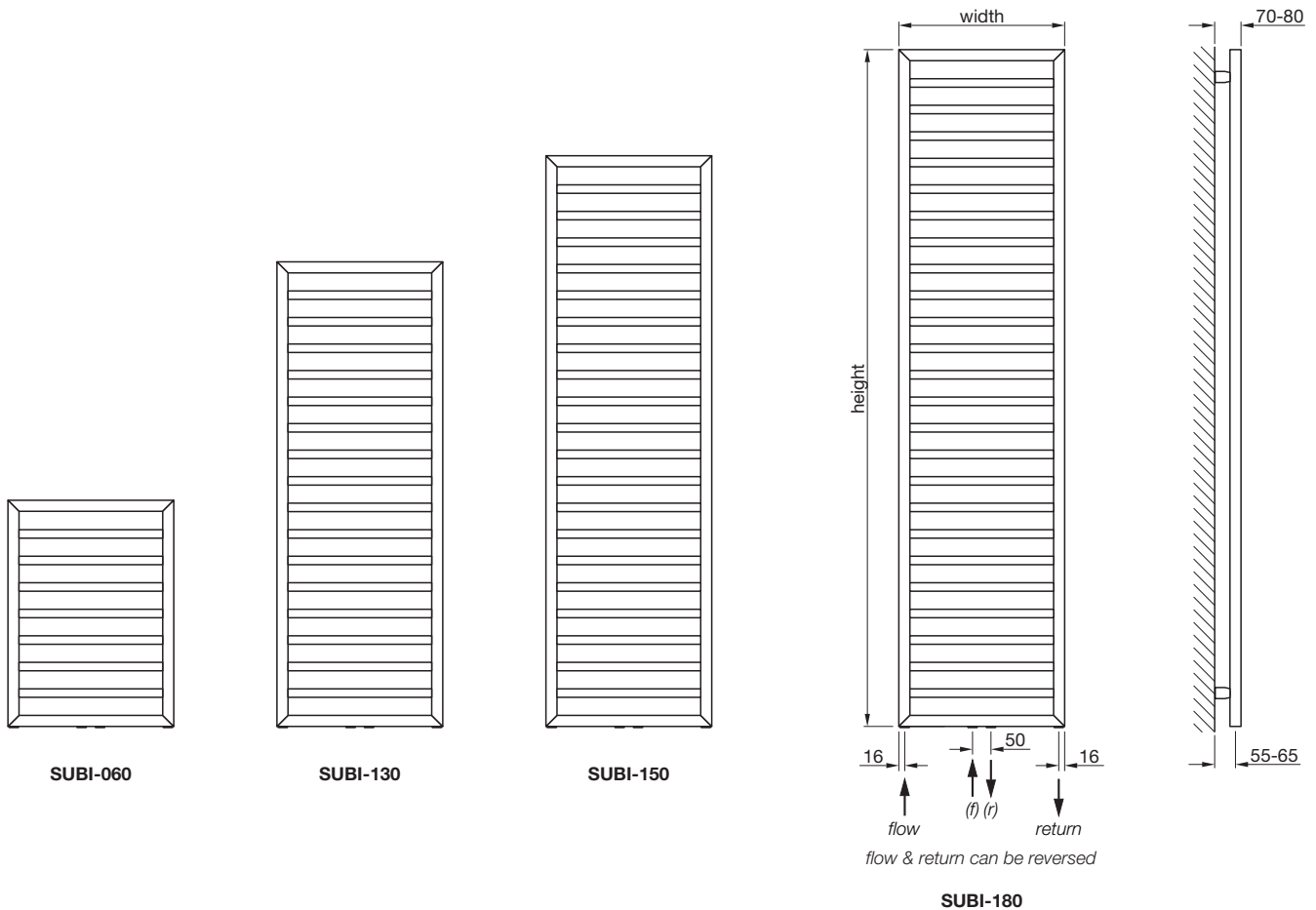
Note: for maintenance purposes, cable outlets must remain accessible and cables must not be buried directly into walls.



Zehnder Subway Stainless Steel

always the
best climate

zehnder



All dimensions shown are in millimetres

- Test pressure: **? BAR**
- Max working pressure: **10 BAR**
- Max working temperature: **120° C**
- All stainless steel construction: **dia 23mm horizontal tubes**
30mm x 30mm headers
- Connections: **½ inch BSP underside tappings**

Not suitable for use on domestic hot water system

Heat output determined in accordance with EN 442
Test Laboratory: HLK Stuttgart, Test Lab Registration No: 0626

* rating for simple immersion/CTEC or CTEW in Watts

Model	Height ± 2mm	Width ± 2mm	Finish	Pipe Centres ± 2mm	Output ΔT=50K		Output ΔT=30K		n	Weight kg	Water Content litres	Max. Immersion Rating*
					Watts	Btu	Watts	Btu				
SUBI-060-045	613	450	brushed	50/418	221	754	116	396	1.27	5.1	2.3	150
SUBI-130-045	1261	450	brushed	50/418	370	1262	193	659	1.27	8.7	4.5	200
SUBI-130-060	1261	600	brushed	50/568	447	1525	235	802	1.26	10.4	5.4	300
SUBI-150-045	1549	450	brushed	50/418	445	1518	233	795	1.27	10.4	5.4	300
SUBI-150-060	1549	600	brushed	50/568	538	1836	283	966	1.26	12.4	7.2	300
SUBI-180-045	1837	450	brushed	50/418	523	1784	272	928	1.28	12.2	6.3	300
SUBI-180-060	1837	600	brushed	50/568	633	2160	334	1140	1.25	14.4	7.7	400

Issue 1.0



Zehnder Group UK Ltd

Concept House
Watchmoor Point
Camberley
Surrey GU15 3AD

Tel: 01276 605800
Fax: 01276 24058
retailsales@zehnder.co.uk
www.zehnder.co.uk

Registered in England: 2296696

Zehnder Subway Stainless Steel

always the
best climate

zehnder

Tools & Material Required

Suitable valves
PTFE tape
Silicone thread sealant
Tape measure
Allen key - 13mm & 12mm (when installing Zehnder valves)
Spanner - 13mm & 14mm
Screwdriver - crosshead
Pliers
Electric drill
Masonry drill bit
Spirit level
Stepladder (for taller radiators)

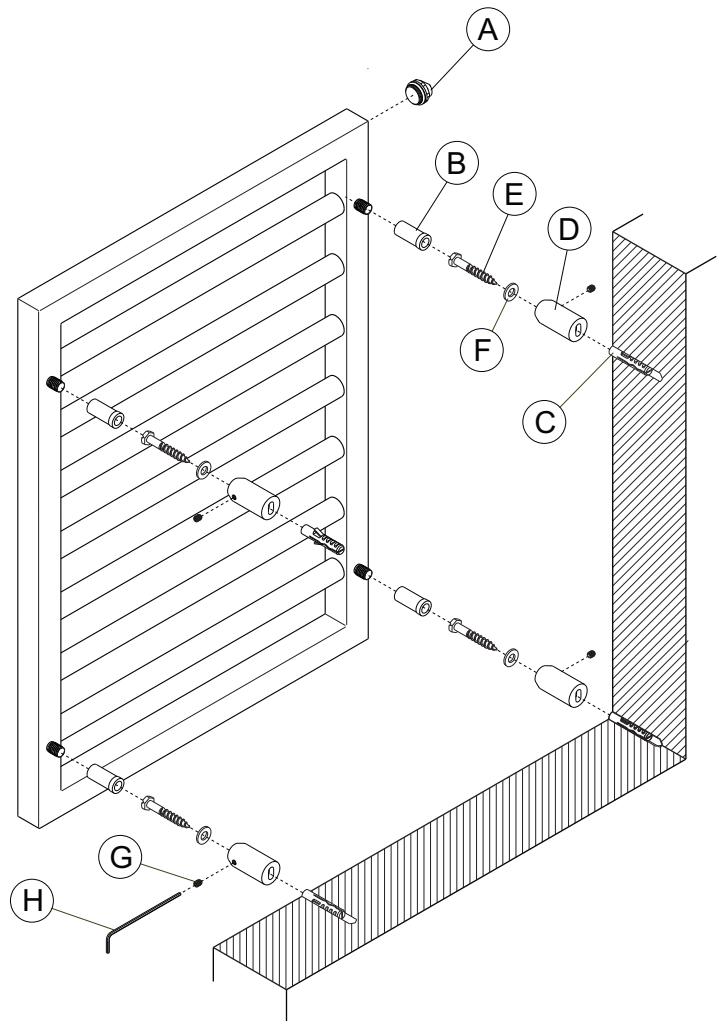
Key	Component	Qty
A	Air Vent - 1/2"	1
B	Boss	4
C	Wall Plug	4
D	Bracket	4
E	Screw, 6mm dia x 50mm	4
F	Washer	4
G	Grub Screw	4
H	Allen Key	1

Assembly Instructions

Sufficient PTFE tape must be applied to valve-tail threads prior to their installation.
Silicone thread sealant should be applied to all threaded components manufactured with 'O-rings'.

- Fit valve tails, using correct size Allen key.
- Fit air vent (A).
- Screw bosses (B) to studs on the back of the radiator.
- Accurately mark out bracket holes on wall using spirit level.
- Drill four holes to a minimum depth of 65mm & insert wall plugs (C).
- Attach brackets (D) to wall with screws (E) & washers (F).
- Hang radiator onto wall by inserting bosses (B) into brackets (D).
- Tighten grub screws (G) with Allen key (H).
- Plumb radiator to heating circuit with flow opposite air vent.

This radiator should be installed onto a central heating system that has been cleaned/flushed and contains water treatment and inhibitors in accordance with BS7593.



Issue 1.0



Zehnder Group UK Ltd

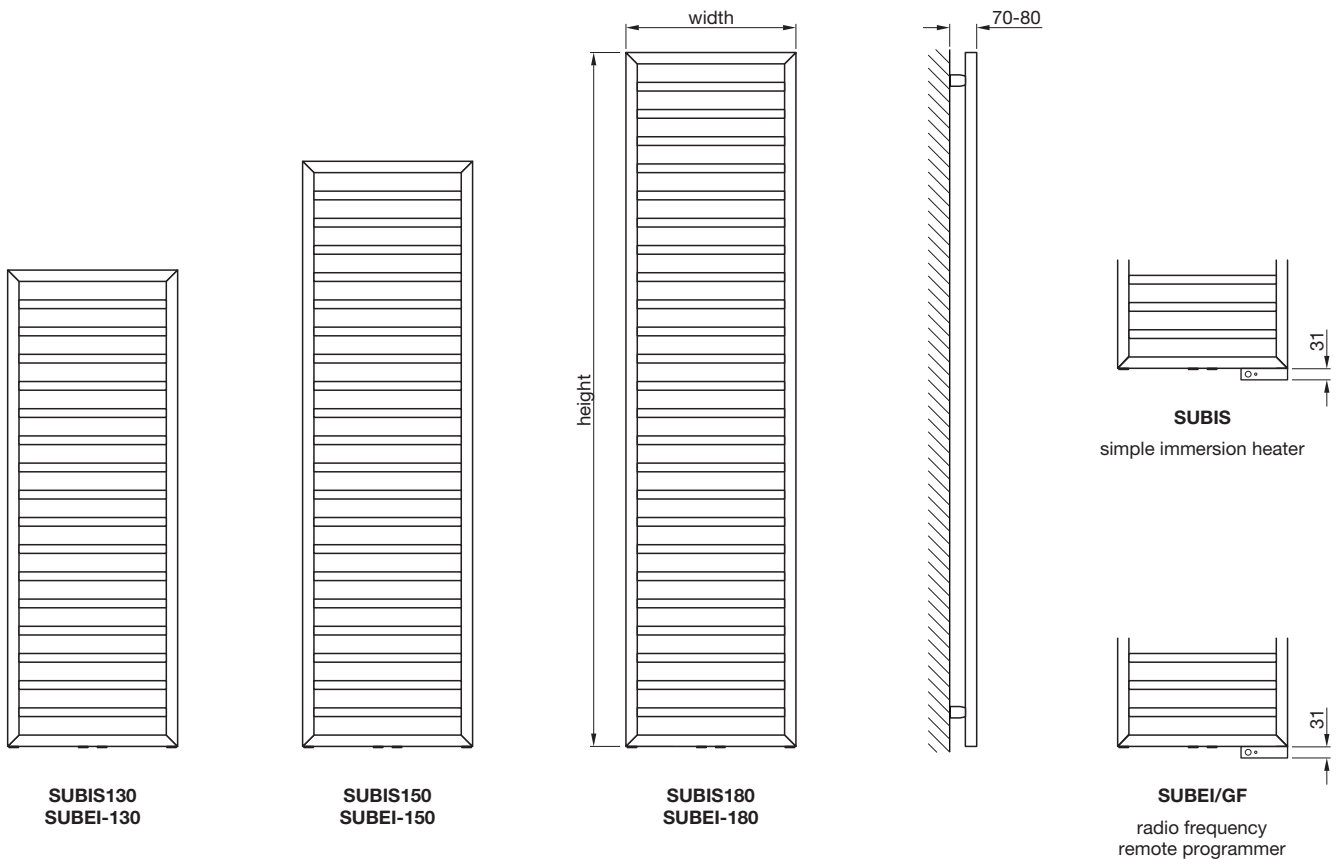
Concept House
Watchmoor Point
Camberley
Surrey GU15 3AD

Tel: 01276 605800
Fax: 01276 24058
retailsales@zehnder.co.uk
www.zehnder.co.uk

Registered in England: 2296696

Zehnder Subway Stainless Steel Electric

always the best climate **zehnder**



All dimensions shown are in millimetres

All stainless steel construction: **dia 23mm horizontal tubes**
30mm x 30mm headers

Connections: **1.2m long flying lead (2 core)**

* does not include immersion heater

Model	Height* ± 2mm	Width ± 2mm	Finish	Output Watts	Weight kg
SUBIS130045EAZK	1261	450	brushed	300	12.2
SUBIS150045EAZK	1549	450	brushed	300	14.7
SUBIS150060EAZK	1549	600	brushed	500	17.9
SUBIS180060EAZK	1837	600	brushed	600	21.0
SUBEI-130-045/GF	1261	450	brushed	300	12.6
SUBEI-150-045/GF	1549	450	brushed	300	15.3
SUBEI-150-060/GF	1549	600	brushed	500	18.3
SUBEI-180-060/GF	1837	600	brushed	600	21.1

Issue 1.0



Zehnder Group UK Ltd

Concept House
Watchmoor Point
Camberley
Surrey GU15 3AD

Tel: 01276 605800
Fax: 01276 24058
retailsales@zehnder.co.uk
www.zehnder.co.uk

Registered in England: 2296696

Zehnder Subway Stainless Steel Electric

always the
best climate

zehnder

Tools & Material Required

Tape measure
Spanner - 13mm & 14mm
Screwdriver - crosshead
Pliers
Electric drill
Masonry drill bit
Spirit level
Stepladder (for taller radiators)

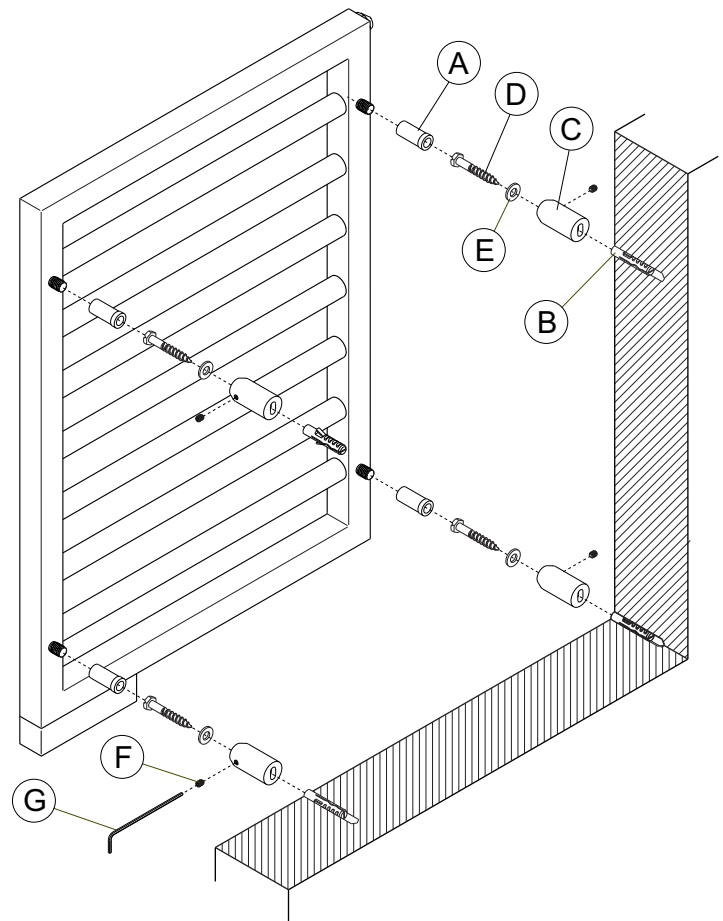
Key	Component	Qty
A	Boss	4
B	Wall Plug	4
C	Bracket	4
D	Screw, 6mm dia x 50mm	4
E	Washer	4
F	Grub Screw	4
G	Allen Key	1

Assembly Instructions

Screw bosses (A) to studs on the back of the radiator.
Accurately mark out bracket holes on wall using spirit level.
Drill four holes to a minimum depth of 65mm & insert wall plugs (B).
Attach brackets (C) to wall with screws (D) & washers (E).
Hang radiator onto wall by inserting bosses (A) into brackets (C).
Tighten grub screws (F) with Allen key (G).

Electric radiators should be fitted only by a qualified electrician and must be earthed and connected to a cable outlet in the bathroom in accordance with I.E.E. wiring regulations. The electrical connection should be made to a '5 amp fused fixed spur' located outside the bathroom.

Note: for maintenance purposes, cable outlets must remain accessible and cables must not be buried directly into walls.



Issue 1.0



Zehnder Group UK Ltd

Concept House
Watchmoor Point
Camberley
Surrey GU15 3AD

Tel: 01276 605800
Fax: 01276 24058
retailsales@zehnder.co.uk
www.zehnder.co.uk

Registered in England: 2296696