

Zehnder Ribbon



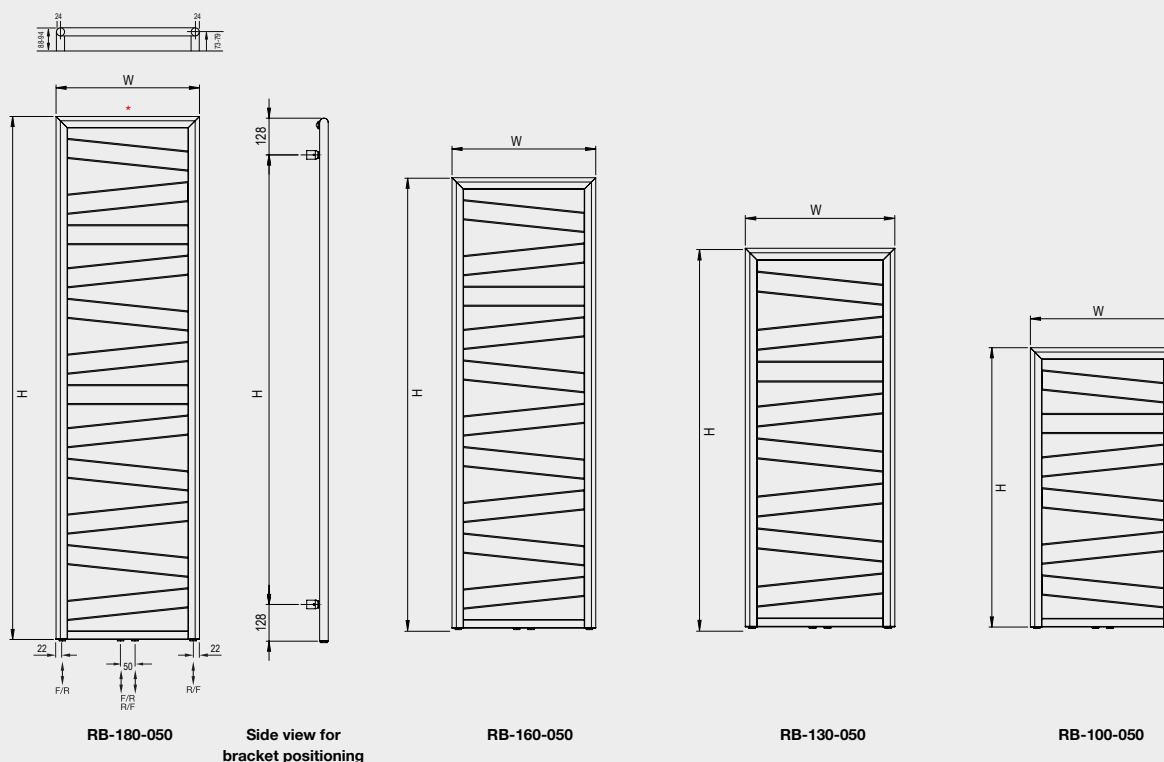
Stocked Items

In stock items highlighted in black	Height mm	Width mm	Finish	Output $\Delta T=50^{\circ}\text{C}$ Watts/btu All outputs certified to EN 442	Dual Fuel Immersion Rating in Watts	RRP (ex VAT)	RRP (inc 20% VAT)
Zehnder Ribbon							
RB-100-050	965	500	white*	398/1358	250	£347	£416.40
RB-130-050	1266	500	white*	509/1737	300	£416	£499.20
RB-160-050	1567	500	white*	621/2119	400	£485	£582.00
RB-180-050	1823	500	white*	723/2467	500	£552	£662.40
RB-100-050-0557	965	500	matt black	398/1358	250	£434	£520.80
RB-130-050-0557	1266	500	matt black	509/1737	300	£520	£624.00
RB-160-050-0557	1567	500	matt black	621/2119	400	£606	£727.20
RB-180-050-0557	1823	500	matt black	723/2467	500	£690	£828.00
RBC-100-050	965	500	chrome	261/891	150	£832	£998.40
RBC-130-050	1266	500	chrome	327/1116	200	£1,011	£1,213.20
RBC-160-050	1567	500	chrome	393/1341	250	£1,179	£1,414.80
RBC-180-050	1823	500	chrome	461/1573	300	£1,344	£1,612.80

*White (RAL 9016)

Dual energy: Self fit (additional cost to central heating model prices). For more information please scan the QR code.

Colour finish: Standard colours from the Zehnder colour chart including matt white finish are priced at: RAL 9016 + 25%.
Colour finish and non-stock products delivery: 3-5 weeks.



Zehnder recommends VALVE-SET-2-CR
For more information see page 182.


*1/2" air vent
Width excludes air vent
F = flow
R = return
H = height
W = width
All dimensions in mm
Tube: horizontal 70 x 8mm
Tube: vertical 30 x 4mm
D-shaped tubes

The super sleek and stylish **Ribbon** towel radiator is suitable for modern bathroom interiors and available in a range of sizes, and in over 40 finishes including chrome, white and matt black.



PIGEON BLUE



The complete  compliant technical specifications can be viewed by scanning here.



Zehnder Ribbon Electric

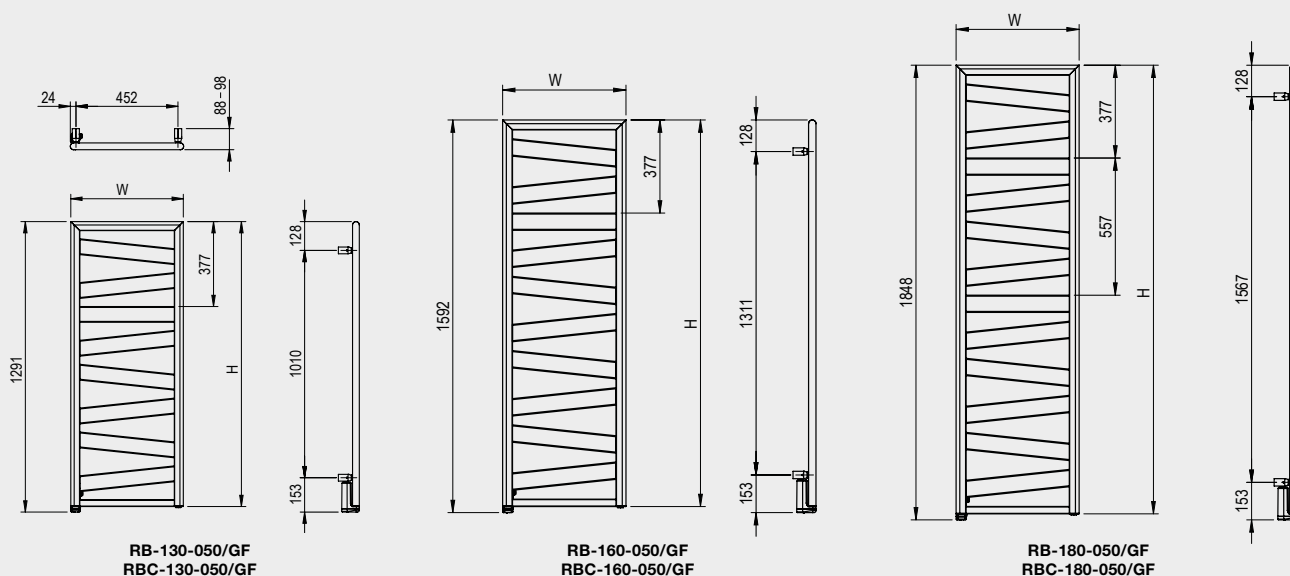


Electric Heating Model	Height mm	Width mm	Finish	Watts Radio frequency remote programmer IPX4 Zone 1 Bath, Zone 2 Shower, Class II	RRP (ex VAT)	RRP (inc 20% VAT)
Zehnder Ribbon Electric						
RB-130-050/GF	1266	500	white*	500	£748	£897.60
RB-160-050/GF	1567	500	white*	600	£833	£999.60
RB-180-050/GF	1823	500	white*	750	£922	£1,106.40
RB-130-050/GF-0557	1266	500	matt black	500	£935	£1,122.00
RB-160-050/GF-0557	1567	500	matt black	600	£1,041	£1,249.20
RB-180-050/GF-0557	1823	500	matt black	750	£1,153	£1,383.60
RBC-130-050/GF	1266	500	chrome	300	£1,334	£1,600.80
RBC-160-050/GF	1567	500	chrome	300	£1,539	£1,846.80
RBC-180-050/GF	1823	500	chrome	500	£1,751	£2,101.20

Note: Height does not include the immersion heater. (See diagrams below)

*White (RAL 9016)

Colour finish: Standard colours from the Zehnder colour chart including matt white finish are priced at: RAL 9016 + 25%.
Colour finish and non-stock products delivery: 3-5 weeks.



Immersion heater = 25
All dimensions in mm
Tube: horizontal 70 x 8mm
Tube: vertical 30 x 4mm
D-shaped tubes

Ribbon Electric is available in three different sizes ideal for any modern bathroom interior. Complies with the new Eco Design Directive.



Electric Option
Radio frequency remote programmer, scan the QR code.

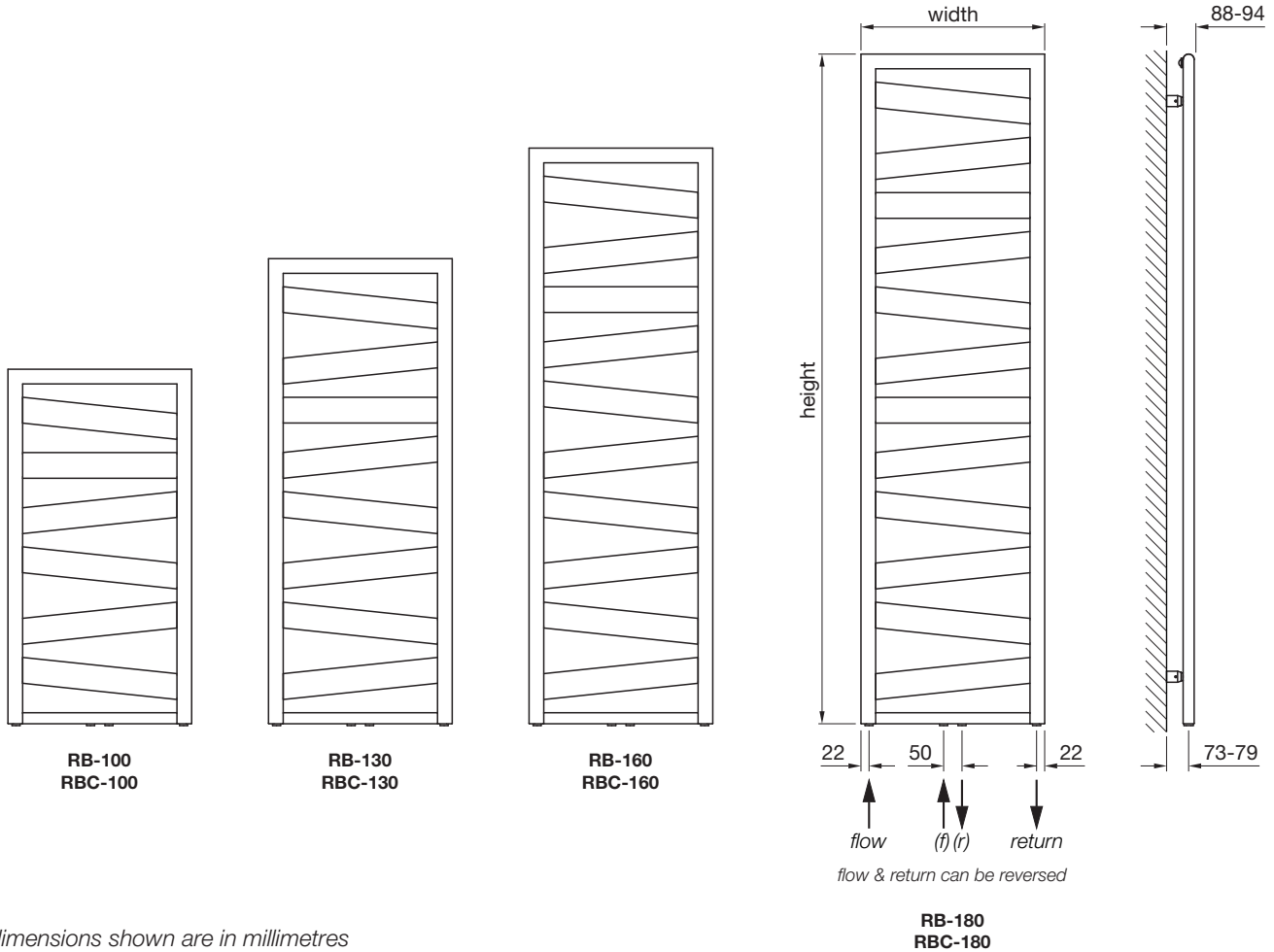


Immersion Heater



The complete CE compliant technical specifications can be viewed by scanning here.





All dimensions shown are in millimetres

- Test pressure: **5.2 BAR**
- Max working pressure: **4 BAR**
- Max working temperature: **95° C**
- All steel construction: **40mm x 30mm D-shaped outer frame**
70mm x 8mm inner tubes
- Connections: **½ inch BSP underside tappings**

Not suitable for use on domestic hot water system

Heat output determined in accordance with EN 442
Test Laboratory: WSP-LAB, Test House No: 1428

* rating for simple immersion/CTEC or CTEW in Watts

Model	Height ± 2mm	Width ± 2mm	Finish	Pipe Centres ± 2mm	Output ΔT=50K		Output ΔT=30K		n	Weight kg	Water Content litres	Max. Immersion Rating*
					Watts	Btu	Watts	Btu				
RB-100-050	965	500	painted	50/456	398	1358	211	720	1.24	8.4	3.4	250
RB-130-050	1266	500	painted	50/456	509	1737	271	925	1.24	10.7	4.1	300
RB-160-050	1567	500	painted	50/456	621	2119	330	1126	1.23	13.1	4.8	400
RB-180-050	1823	500	painted	50/456	723	2467	383	1307	1.25	15.1	5.7	500
RBC-100-050	965	500	chrome	50/456	261	891	137	467	1.27	8.5	3.4	200
RBC-130-050	1266	500	chrome	50/456	327	1116	171	583	1.27	10.8	4.1	200
RBC-160-050	1567	500	chrome	50/456	393	1341	205	699	1.28	13.1	4.8	250
RBC-180-050	1823	500	chrome	50/456	461	1573	240	819	1.28	15.4	5.7	300

Issue 1.0



Tools & Material Required

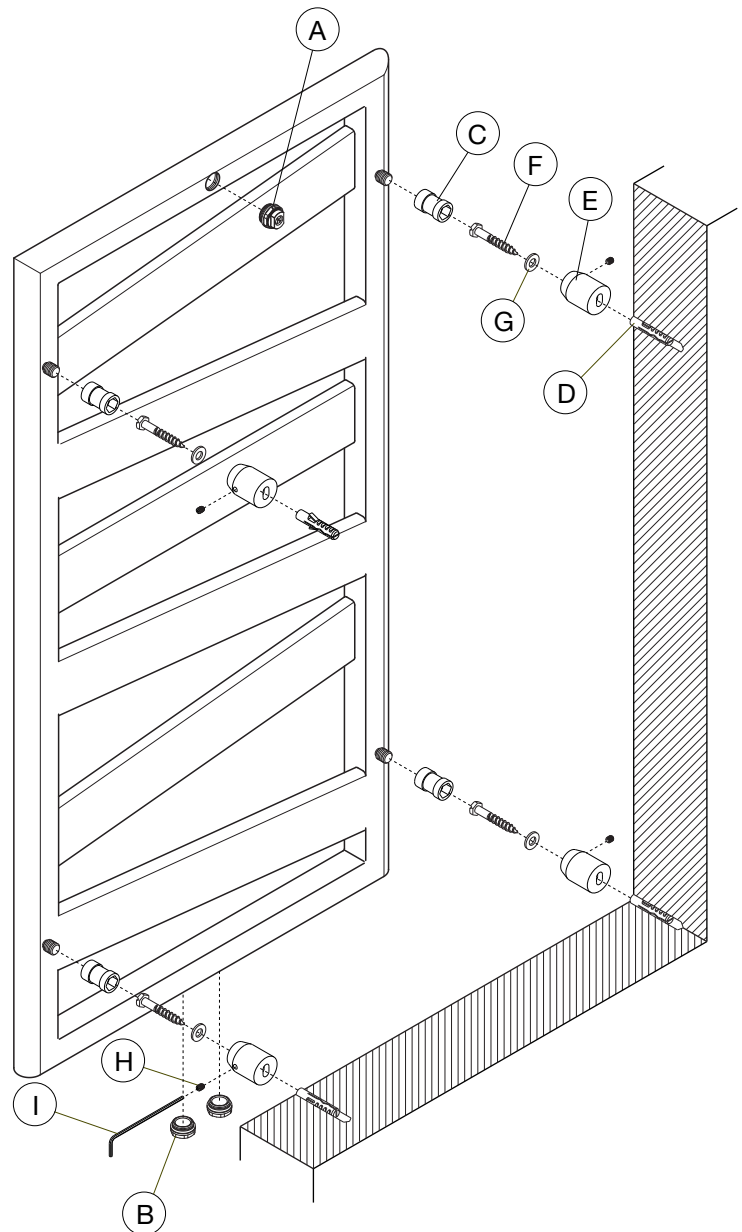
Suitable valves
PTFE tape
Silicone thread sealant
Tape measure
Allen key - 13mm & 12mm (when installing Zehnder valves)
Spanner - 13mm & 14mm
Screwdriver - crosshead & flathead
Pliers
Electric drill
Masonry drill bit
Spirit level
Stepladder (for taller radiators)

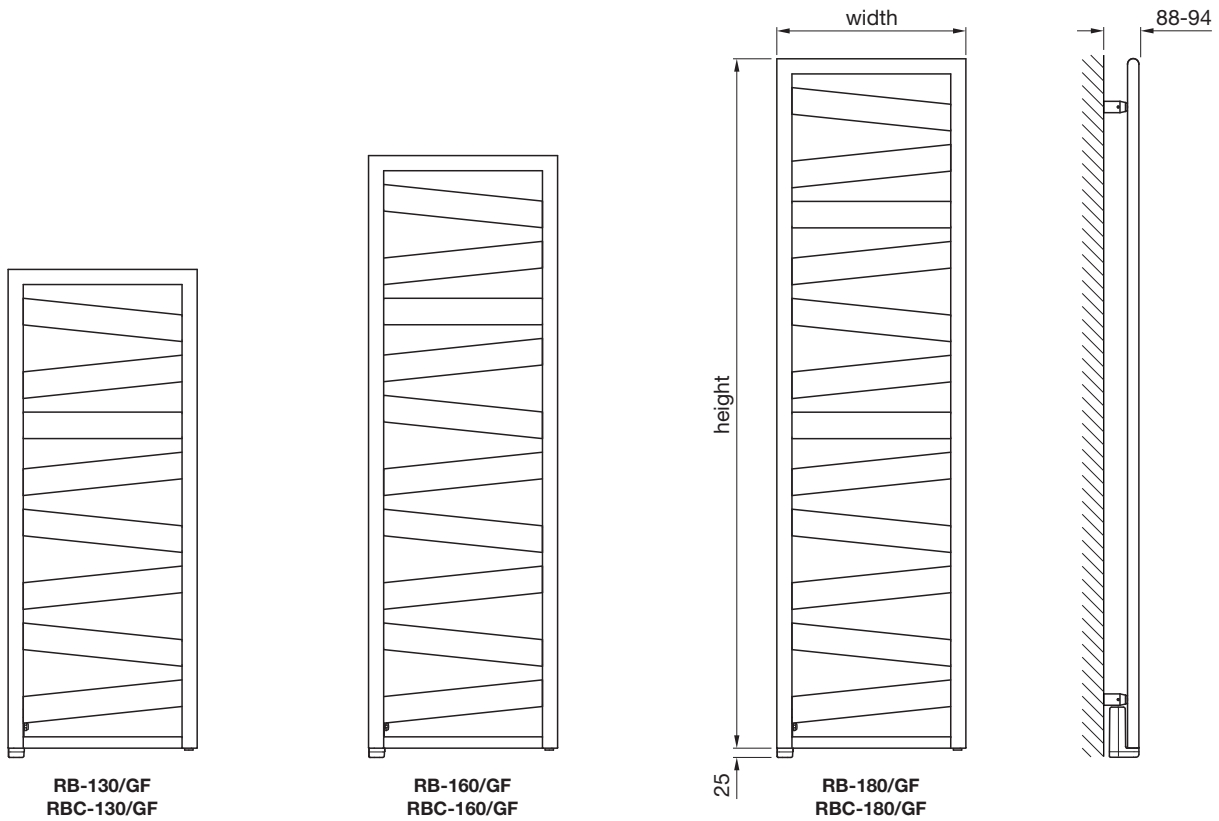
Key	Component	Qty
A	Air Vent - 1/2"	1
B	Blanking Plug	2
C	Boss	4
D	Wall Plug	4
E	Bracket	4
F	Screw, 6mm dia x 50mm	4
G	Washer	4
H	Grub Screw	4
I	Allen Key	1

Assembly Instructions

Sufficient PTFE tape must be applied to valve-tail threads prior to their installation.
Silicone thread sealant should be applied to all threaded components manufactured with 'O-rings'.

- Fit valve tails, using correct size Allen key.
 - Fit air vent (A), blanking plugs (B).
 - Screw bosses (C) to studs on the back of the radiator.
 - Accurately mark out bracket holes on wall using spirit level.
 - Drill four holes to a minimum depth of 65mm & insert wall plugs (D).
 - Attach brackets (E) to wall with screws (F) & washers (G).
 - Hang radiator onto wall by inserting bosses (C) into brackets (E).
 - Tighten grub screws (H) with Allen key (I).
 - Plumb radiator to heating circuit with flow opposite air vent.
 - Air vent is recessed so flathead screwdriver must be used to vent radiator.
- This radiator should be installed onto a central heating system that has been cleaned/flushed and contains water treatment and inhibitors in accordance with BS7593.





All dimensions shown are in millimetres

All steel construction: **40mm x 30mm D-shaped outer frame**
70mm x 8mm inner tubes

Connections: **1.2m long flying lead (2 core)**

** does not include immersion heater*

Model	Height* ± 2mm	Width ± 2mm	Finish	Output Watts	Weight kg
RB-130-050/GF	1266	500	painted	500	14.5
RB-160-050/GF	1567	500	painted	600	17.5
RB-180-050/GF	1823	500	painted	750	20.2
RBC-130-050/GF	1266	500	chrome	300	14.6
RBC-160-050/GF	1567	500	chrome	300	17.5
RBC-180-050/GF	1823	500	chrome	500	20.5

Issue 1.0



Tools & Material Required

Tape measure
Screwdriver - crosshead
Pliers
Electric drill
Masonry drill bit
Spirit level
Stepladder (for taller radiators)

Key	Component	Qty
A	Boss	4
B	Wall Plug	4
C	Bracket	4
D	Screw, 6mm dia x 50mm	4
E	Washer	4
F	Grub Screw	4
G	Allen Key	1

Assembly Instructions

- Screw bosses (A) to studs on the back of the radiator.
- Accurately mark out bracket holes on wall using spirit level, to dimensions as shown on Technical Data Sheet.
- Drill four holes to a minimum depth of 65mm & insert wall plugs (B).
- Attach brackets (C) to wall with screws (D) & washers (E).
- Hang radiator onto wall by inserting bosses (A) into brackets (C).
- Tighten grub screws (F) with Allen key (G).

Electric radiators should be fitted only by a qualified electrician and must be earthed and connected to a cable outlet in the bathroom in accordance with I.E.E. wiring regulations. The electrical connection should be made to a '5 amp fused fixed spur' located outside the bathroom.

Note: for maintenance purposes, cable outlets must remain accessible and cables must not be buried directly into walls.

