

Zehnder Quaro Spa



Stocked Items

In stock items highlighted in black	Height mm	Width mm	Finish	Output $\Delta T=50^{\circ}C$ Watts/btu All outputs certified to EN 442	Dual Fuel Immersion Rating in Watts	RRP (ex VAT)	RRP (inc 20% VAT)
Zehnder Quaro Spa							
QS-075-045	803	450	white*	332/1133	200	£255	£306.00
QS-120-045	1251	450	white*	493/1682	300	£278	£333.60
QS-120-055	1251	550	white*	580/1979	400	£313	£375.60
QS-150-045	1507	450	white*	588/2006	400	£333	£399.60
QS-150-055	1507	550	white*	694/2368	500	£365	£438.00
QS-180-055	1827	550	white*	851/2904	600	£415	£498.00
QS-075-045-0346	803	450	anthracite	332/1133	200	£319	£382.80
QS-120-045-0346	1251	450	anthracite	493/1682	300	£348	£417.60
QS-120-055-0346	1251	550	anthracite	580/1979	400	£391	£469.20
QS-150-045-0346	1507	450	anthracite	588/2006	400	£416	£499.20
QS-150-055-0346	1507	550	anthracite	694/2368	500	£456	£547.20
QS-180-055-0346	1827	550	anthracite	851/2904	600	£519	£622.80
QSC-075-045	803	450	chrome	206/703	150	£600	£720.00
QSC-120-045	1251	450	chrome	313/1068	200	£769	£922.80
QSC-120-055	1251	550	chrome	376/1283	250	£852	£1,022.40
QSC-150-045	1507	450	chrome	371/1266	250	£944	£1,132.80
QSC-150-055	1507	550	chrome	443/1512	300	£1,013	£1,215.60
QSC-180-055	1827	550	chrome	544/1856	400	£1,148	£1,377.60

*White (RAL 9016)

Dual energy: Self fit (additional cost to central heating model prices). For more information please scan the QR code.

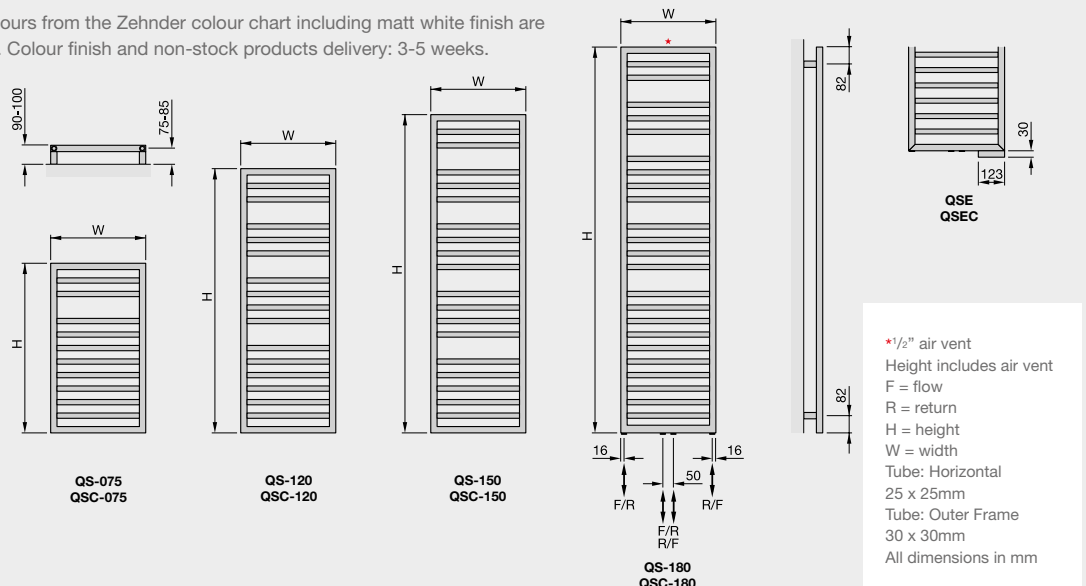
Electric Heating Model	Height mm	Width mm	Finish	Radio Frequency controller Rating Watts Class II IPX4 Zones 1 and 2	RRP (ex VAT)	RRP (inc 20% VAT)
Zehnder Quaro Spa Electric						
QSE-075-045/GF	833	450	white*	300	£657	£788.40
QSE-120-045/GF	1281	450	white*	300	£678	£813.60
QSE-120-055/GF	1281	550	white*	500	£715	£858.00
QSE-150-045/GF	1537	450	white*	500	£733	£879.60
QSE-150-055/GF	1537	550	white*	600	£769	£922.80
QSE-180-055/GF	1857	550	white*	750	£818	£981.60
QSEC-120-045/GF	1281	450	chrome	300	£1,194	£1,432.80
QSEC-120-055/GF	1281	550	chrome	300	£1,276	£1,531.20
QSEC-150-045/GF	1537	450	chrome	300	£1,368	£1,641.60
QSEC-150-055/GF	1537	550	chrome	300	£1,440	£1,728.00
QSEC-180-055/GF	1857	550	chrome	500	£1,573	£1,887.60

*White (RAL 9016)

Colour finish: Standard colours from the Zehnder colour chart including matt white finish are priced at: RAL 9016 + 25%. Colour finish and non-stock products delivery: 3-5 weeks.



Zehnder recommends VALVE-SET-11-CR. For more information see page 180.



The **Quaro Spa** has an elegant square profile frame and horizontal heating pipes. Beautifully designed with clarity and simplicity, even the right-angled wall brackets are stylish. Generously spaced tubes give plenty of room for warming fluffy towels.

Available in chrome, white and anthracite as standard and in any additional colour from the Zehnder Colour chart as a Made to Order option.

Where space is restricted the Zehnder Quaro Spa is available with a room divider bracket option. To order this version please stipulate on your purchase order at the time of ordering.

Additional price:
 White finish: £57
 Colour finish: £71
 Chrome finish: £74



eco
DESIGN

Electric Option

Radio frequency remote programmer, scan the QR code.



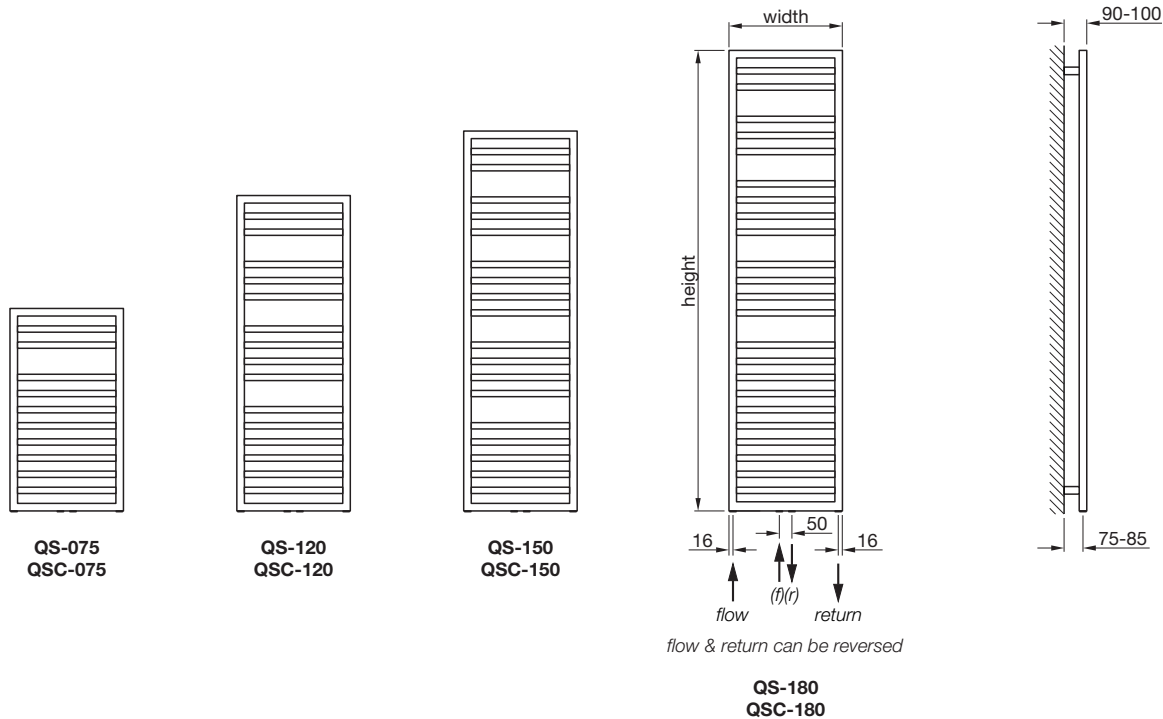
Receiver for RF Controller



EN 442 **CE**

The complete CE compliant technical specifications can be viewed by scanning here.





All dimensions shown are in millimetres

Test pressure: **13 BAR**
 Max working pressure: **10 BAR**
 Max working temperature: **120° C**
 All steel construction: **30mm x 30mm outer frame**
25mm x 25mm horizontal tubes
 Connections: **½ inch BSP underside tapings**

Not suitable for use on domestic hot water system

Heat output determined in accordance with EN 442
 Test Laboratory: WSP-LAB, Test House No: 1428

* rating for simple immersion/CTEC or CTEW in Watts

Model	Height ± 2mm	Width ± 2mm	Finish	Pipe Centres ± 2mm	Output ΔT=50K		Output ΔT=30K		n	Weight kg	Water Content litres	Max. Immersion Rating*
					Watts	Btu	Watts	Btu				
QS-075-045	803	450	painted	50/418	332	1133	177	605	1.23	7.5	3.7	200
QS-120-045	1251	450	painted	50/418	493	1682	262	894	1.24	10.3	5.4	300
QS-120-055	1251	550	painted	50/518	580	1979	308	1051	1.24	12.0	6.3	400
QS-150-045	1507	450	painted	50/418	588	2006	312	1065	1.24	11.9	6.5	400
QS-150-055	1507	550	painted	50/518	694	2368	368	1256	1.24	14.0	7.4	500
QS-180-055	1827	550	painted	50/518	851	2904	452	1542	1.24	16.9	9.2	600
QSC-075-045	803	450	chrome	50/418	206	703	108	368	1.27	7.1	3.7	150
QSC-120-045	1251	450	chrome	50/418	313	1068	163	556	1.28	9.8	5.4	200
QSC-120-055	1251	550	chrome	50/518	376	1283	197	672	1.27	11.6	6.3	250
QSC-150-045	1507	450	chrome	50/418	371	1266	192	655	1.29	11.3	6.5	250
QSC-150-055	1507	550	chrome	50/518	443	1512	230	785	1.29	13.4	7.4	300
QSC-180-055	1827	550	chrome	50/518	544	1856	283	966	1.28	16.1	9.2	400

Issue 1.0



Tools & Material Required

Suitable valves
PTFE tape
Silicone thread sealant
Tape measure
Allen key - 13mm & 12mm (when installing Zehnder valves)
Spanner - 13mm & 14mm
Screwdriver - crosshead
Electric drill
Masonry drill bit
Spirit level
Stepladder (for taller radiators)

Key	Component	Qty
A	Air Vent - 1/2"	1
B	Air Vent Cover	1
C	Wall Plug	4
D	Bracket	4
E	Screw, 6mm dia x 50mm	4
F	Washer	4
G	Screw, Flange Head	4
H	Allen Key	1

Assembly Instructions

Sufficient PTFE tape must be applied to valve-tail threads prior to their installation.

Silicone thread sealant should be applied to all threaded components manufactured with 'O-rings'.

Fit valve tails, using correct size Allen key.

Fit air vent (A).

Accurately mark out bracket holes on wall using spirit level.

Drill four 8mm diameter holes to a minimum depth of 60mm & insert wall plugs (C).

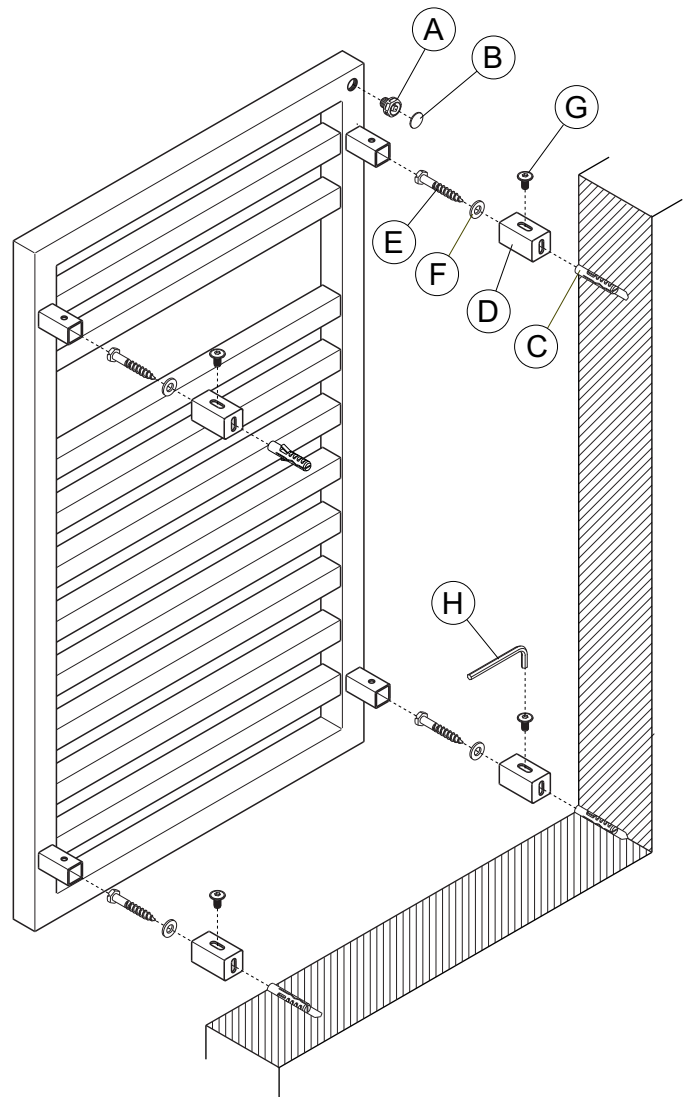
Screw brackets (D) into wall plugs (C) with 6mm diameter x 60mm screws (E) and washers (F).

Slide boss on radiator into bracket (D) and secure in position by tightening flange head screw (G) with allen key (H).

Plumb radiator to heating circuit with flow opposite air vent.

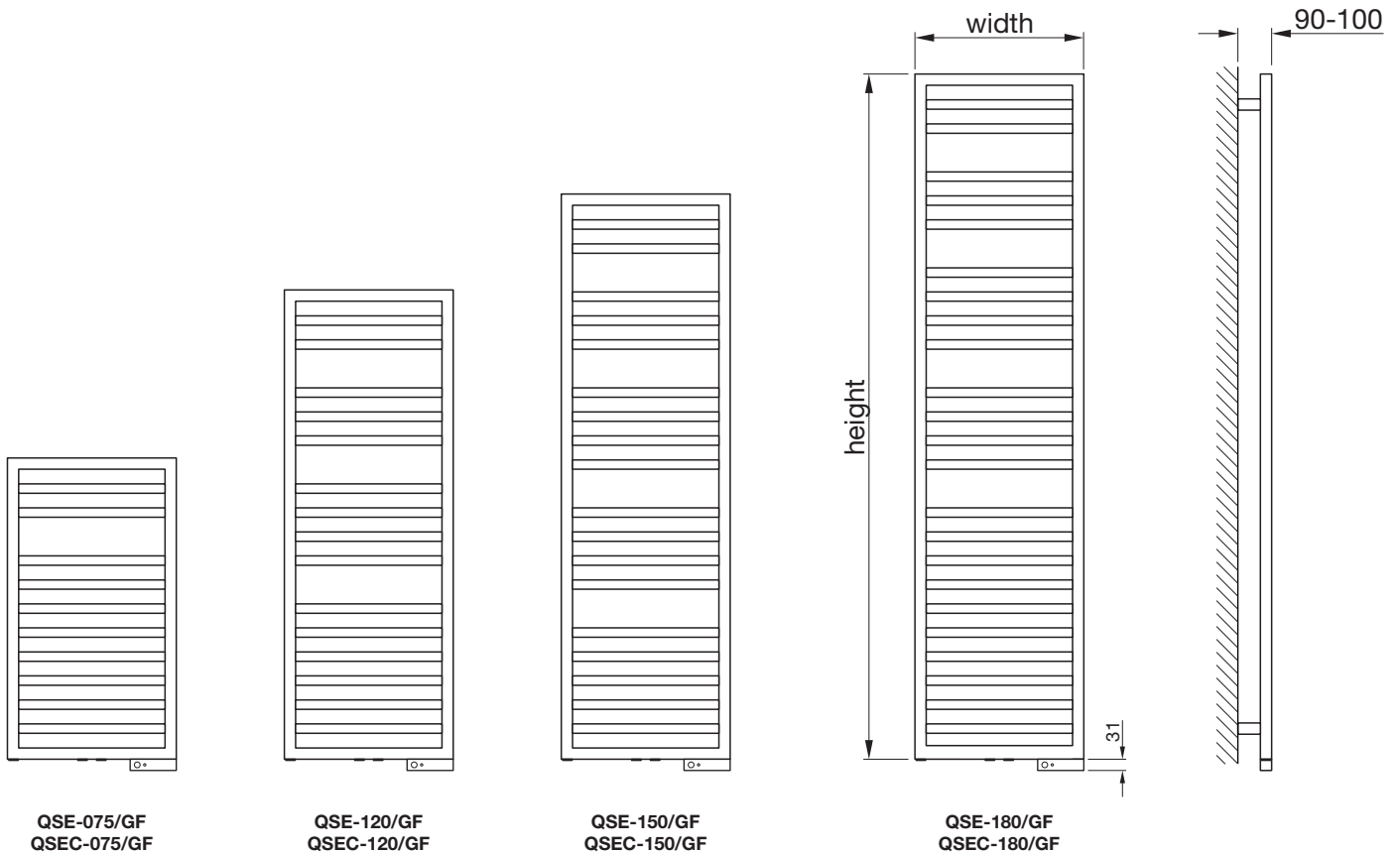
Fit air vent cover (B) to air vent (A).

This radiator should be installed onto a central heating system that has been cleaned/flushed and contains water treatment and inhibitors in accordance with BS7593.



Zehnder Quaro Spa Electric

always the
best climate



QSE-075/GF
QSEC-075/GF

QSE-120/GF
QSEC-120/GF

QSE-150/GF
QSEC-150/GF

QSE-180/GF
QSEC-180/GF

All dimensions shown are in millimetres

All steel construction: **35mm x 35mm outer frame**
25mm x 25mm horizontal tubes

Connections: **1.2m long flying lead (2 core)**

** does not include immersion heater*

Model	Height* ± 2mm	Width ± 2mm	Finish	Output Watts	Weight kg
QSE-075-045/GF	833	450	painted	300	11.3
QSE-120-045/GF	1281	450	painted	300	15.4
QSE-120-055/GF	1281	550	painted	500	17.8
QSE-150-045/GF	1537	450	painted	500	17.9
QSE-150-055/GF	1537	550	painted	600	20.8
QSE-180-055/GF	1857	550	painted	750	25.3
QSEC-120-045/GF	1281	450	painted	300	14.7
QSEC-120/055/GF	1281	550	painted	300	17.2
QSEC-150-045/GF	1537	450	painted	300	17.1
QSEC-150-055/GF	1537	550	painted	300	19.9
QSEC-180-055/GF	1857	550	painted	500	24.3

Issue 1.0



Zehnder Group UK Ltd

Concept House
Watchmoor Point
Camberley
Surrey GU15 3AD

Tel: 01276 605800
Fax: 01276 24058
retailsales@zehnder.co.uk
www.zehnder.co.uk

Registered in England: 2296696

Tools & Material Required

Tape measure
Screwdriver - crosshead
Electric drill
Masonry drill bit
Spirit level
Stepladder (for taller radiators)

Key	Component	Qty
A	Wall Plug	4
B	Bracket	4
C	Screw, 6mm dia x 50mm	4
D	Washer	4
E	Screw, Flange Head	4
F	Allen Key	1

Assembly Instructions

Accurately mark out bracket holes on wall using spirit level.

Drill four 8mm diameter holes to a minimum depth of 60mm & insert wall plugs (A).

Screw brackets (B) into wall plugs (A) with 6mm diameter x 60mm screws (C) and washers (D).

Slide boss on radiator into bracket (A) and secure in position by tightening flange head screw (E) with allen key (F).

Electric radiators should be fitted only by a qualified electrician and must be earthed and connected to a cable outlet in the bathroom in accordance with I.E.E. wiring regulations. The electrical connection should be made to a '5 amp fused fixed spur' located outside the bathroom.

Note: for maintenance purposes, cable outlets must remain accessible and cables must not be buried directly into walls.

