

# Zehnder Pera

Formerly the Bisque Pera

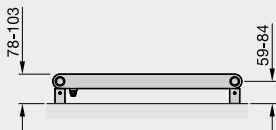


Stocked Items

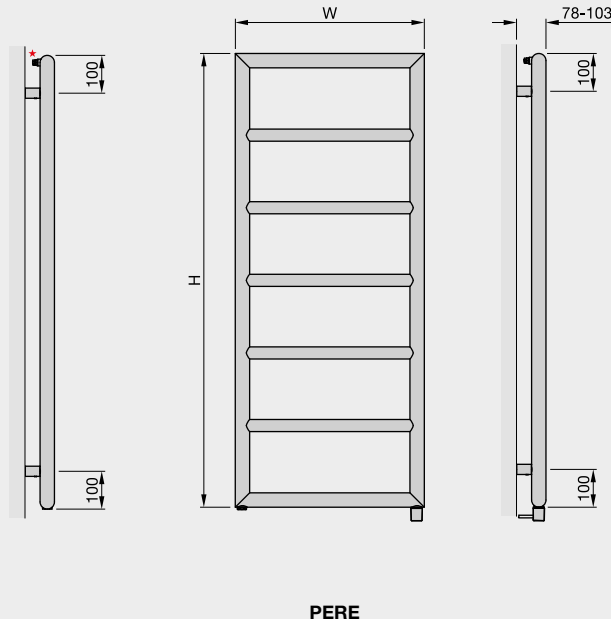
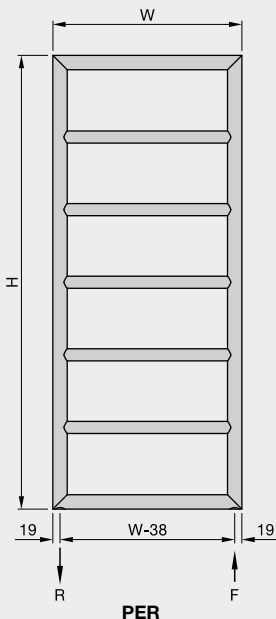
In stock items highlighted in black	Height mm	Width mm	Finish	Output $\Delta T=50^{\circ}C$ Watts/btu All outputs certified to EN 442	Dual Fuel Immersion Rating in Watts	RRP (ex VAT)	RRP (inc 20% VAT)
Zehnder Pera							
PER-080-050	800	500	stainless steel mirror	187/638	150	£692	£830.40
PER-120-050	1200	500	stainless steel mirror	269/918	200	£882	£1,058.40
PER-150-050	1500	500	stainless steel mirror	334/1140	250	£1,079	£1,294.80
PER-080-050-N209	800	500	brushed brass	187/638	150	£752	£902.40
PER-120-050-N209	1200	500	brushed brass	269/918	200	£957	£1,148.40
PER-150-050-N209	1500	500	brushed brass	334/1140	250	£1,169	£1,402.80
PER-080-050-N211	800	500	brushed black chrome	187/638	150	£752	£902.40
PER-120-050-N211	1200	500	brushed black chrome	269/918	200	£957	£1,148.40
PER-150-050-N211	1500	500	brushed black chrome	334/1140	250	£1,169	£1,402.80
PER-080-050-N213	800	500	brushed bronze	187/638	150	£752	£902.40
PER-120-050-N213	1200	500	brushed bronze	269/918	200	£957	£1,148.40
PER-150-050-N213	1500	500	brushed bronze	334/1140	250	£1,169	£1,402.80

In stock items highlighted in black	Height mm	Width mm	Finish	Simple immersion heater Class I IPX4 Zone 1 Bath, Zone 2 Shower Electric rating (Watts)	RRP (ex VAT)	RRP (inc 20% VAT)
Zehnder Pera Electric Heating Model						
PERE-080-050/F	870	500	stainless steel mirror	150	£758	£909.60
PERE-120-050/F	1270	500	stainless steel mirror	200	£949	£1,138.80
PERE-150-050/F	1570	500	stainless steel mirror	250	£1,146	£1,375.20

**Dual energy:** Self fit (additional cost to central heating model prices).  
For more information please scan the QR code on the following page.



\*1/2" air vent  
Width excludes air vent  
F = flow  
R = return  
H = height  
W = width  
Tube: Horizontal  $\varnothing 32\text{mm}$   
Tube: Vertical  $\varnothing 38\text{mm}$   
Immersion heater: 70mm  
All dimensions in mm



**Supplementary Heater Connection**  
Electric DE-PACK thermostat supplied in chrome to match rail. \*pipe centres may be affected.



**Electric models**  
Rails supplied as standard with non-adjustable thermostat. Please allow 100 mm beneath the rail for the flex.

formerly the  
BISQUE PERA

Less is definitely more with this chic stainless steel towel rail as the refined construction allows the tubes to meld gently into one another. The **Pera** brings a quiet elegance to both modern and traditional bathrooms.



BRUSHED BRONZE



STAINLESS STEEL MIRROR



BRUSHED BRASS




For PVD finishes  
Zehnder recommends VALVE SET 35.



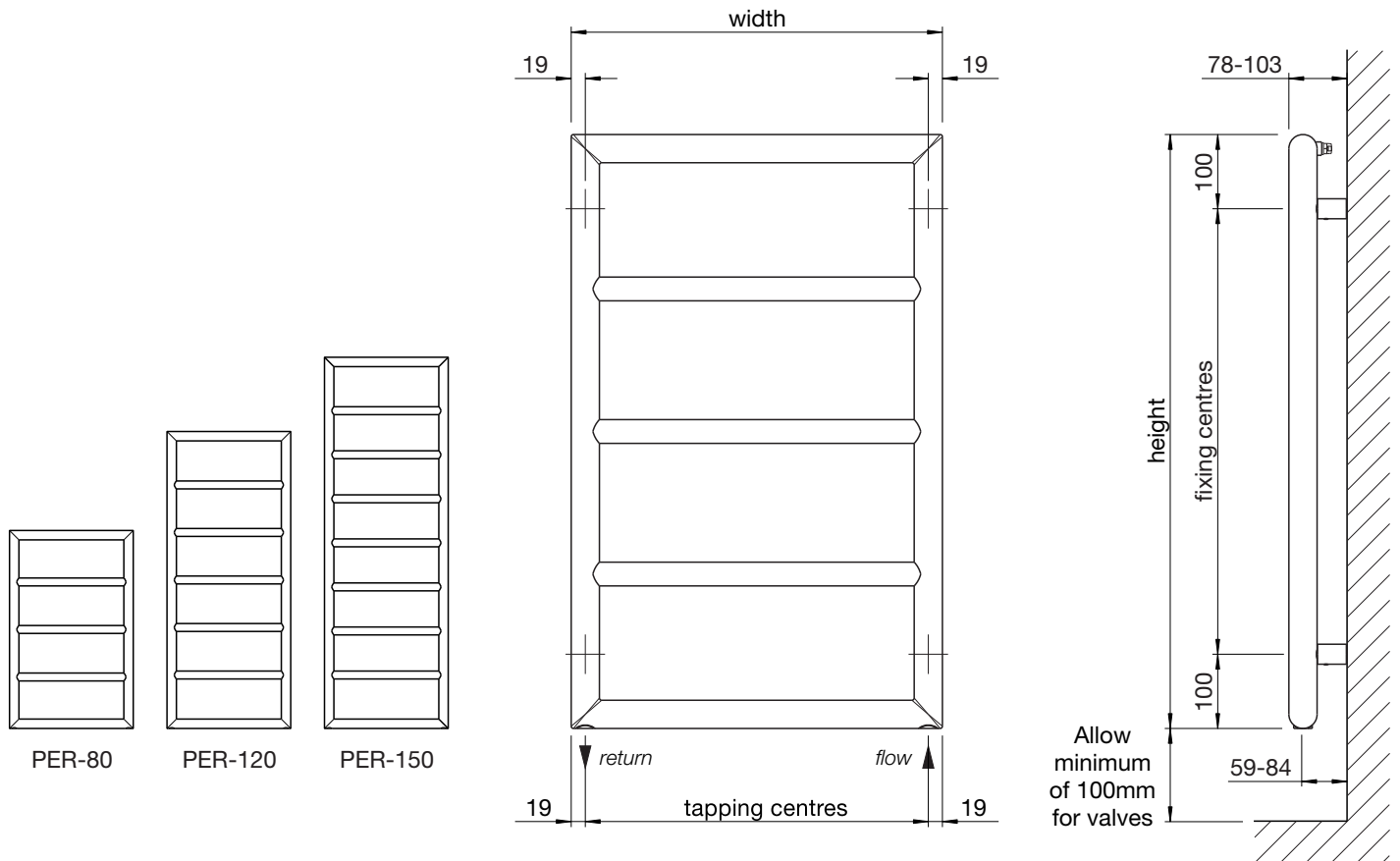
Zehnder recommends VALVE SET 27.



Also available in  
Brushed, Bronze,  
Brushed Brass and  
Stainless Steel Mirror

The complete  compliant technical specifications can be viewed by scanning here.





All dimensions shown are in millimetres

Test pressure: **5.2 BAR**  
 Max working pressure: **4 BAR**  
 Max working temperature: **90° C**  
 All stainless steel construction: **dia 32mm x 1mm tubes**  
**dia 38mm x 1.5mm headers**  
 Connections: **½ inch BSP underside tappings**

Heat output determined in accordance with EN 442  
 Test Laboratory:

Model	Height ± 2mm	Width ± 2mm	Finish	Output ΔT=50K		Output ΔT=30K		n	Weight kg	Water Content litres
				Watts	Btu	Watts	Btu			
PER-080-050	1000	500	mirror/PVD	187	638	98	334	1.27	5.0	3.1
PER-120-050	1380	500	mirror/PVD	269	918	144	491	1.23	7.3	4.5
PER-150-050	1760	500	mirror/PVD	334	1140	179	611	1.22	8.9	5.7

Issue 1.0



## Tools & Material Required

Suitable valves  
PTFE tape  
Silicone thread sealant  
Tape measure  
Screwdriver - crosshead  
Screwdriver - flathead  
Electric drill  
Masonry drill bit - 8mm diameter  
Spirit level  
Stepladder (for taller radiators)

Key	Component	Qty
A	Air Vent - 1/4"	1
B	Wall Plug	4
C	Bracket	4
D	Screw - Rnd Head, 6mm dia x 50mm	4
E	Grub Screw	4
F	Allen Key	1

## Assembly Instructions

*Sufficient PTFE tape must be applied to valve-tail threads prior to their installation.*  
*Silicone thread sealant should be applied to all threaded components manufactured with 'O-rings'.*

Fit valve tails, using correct size Allen key.

Fit air vent (A) to radiator.

Accurately mark out bracket holes on wall using spirit level.

Drill four 8mm diameter holes to a minimum depth of 60mm & insert wall plugs (B).

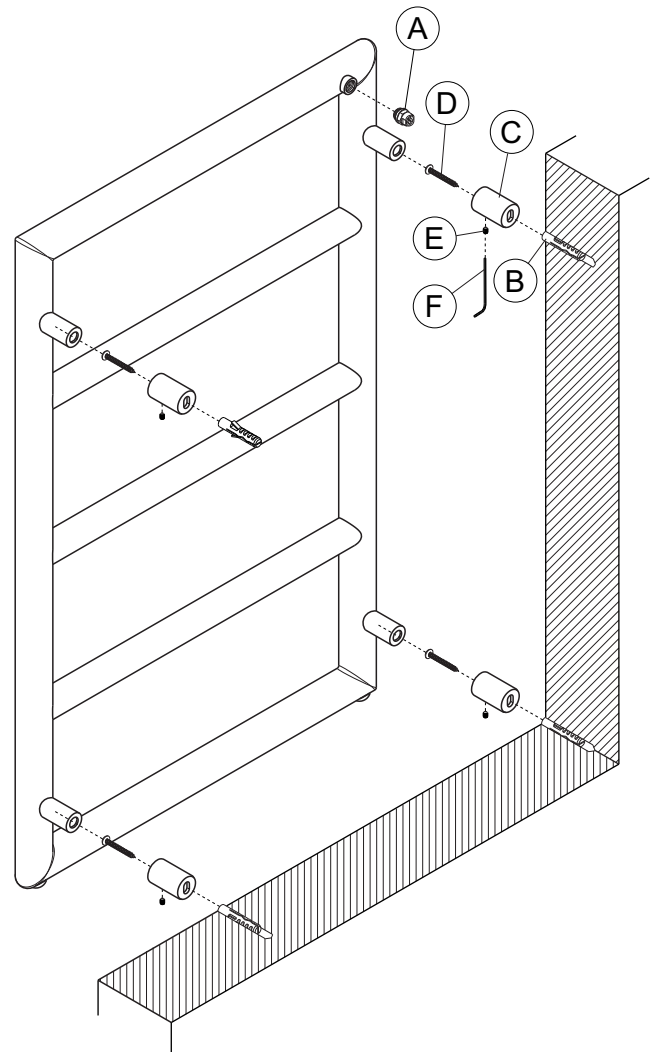
Screw brackets (C) into wall plugs (B) with 6mm diameter x 50mm screws (E).

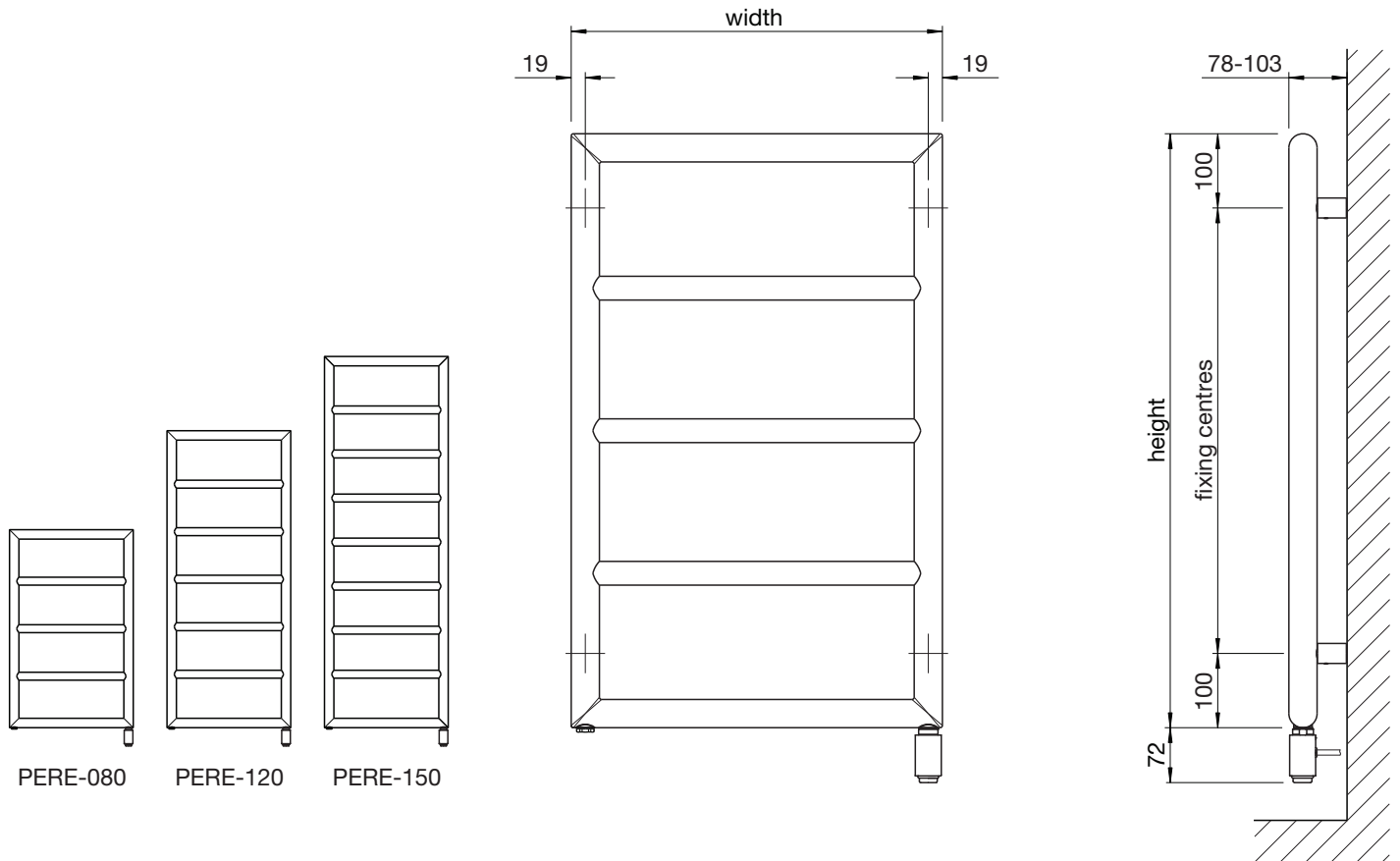
Slide boss on radiator into bracket (C) and secure in position by tightening grub screw (E) with allen key (F).

Check the radiator is mounted perfectly vertical to minimise the risk of trapping air.

Plumb radiator to heating circuit with flow opposite air vent.

This radiator should be installed onto a central heating system that has been cleaned/flushed and contains water treatment and inhibitors in accordance with BS7593.





All dimensions shown are in millimetres

All stainless steel construction: **dia 32mm x 1mm tubes**  
**dia 38mm x 1.5mm headers**

Connections: **1.2m long flying lead (3 core)**

Immersion heater rating: **IPX4 or better**

\* does not include immersion heater

Model	Height* ± 2mm	Width ± 2mm	Finish	Output Watts	Weight kg
PERE-080-050/F	800	500	mirror	150	8
PERE-120-050/F	1200	500	mirror	200	12
PERE-150-050/F	1500	500	mirror	250	15

Issue 1.0



This product has been manufactured in accordance with our stringent quality requirements to give you total satisfaction. To get the most out of your radiator we advise you to read these instructions carefully and keep them to hand.

## WARNINGS



**CAUTION (TOWEL DRYER):** to avoid any danger to very young children, you are advised to install this appliance so that the lowest heating bar is at least 600mm off the floor.



**CAUTION (RADIATOR):** to avoid overheating, do not cover the appliance.



Do not sit on the heating appliance.



Caution, hot surface.

Caution - some parts of this product can become very hot and cause burns. Particular attention has to be given where children and vulnerable people are present.

Children of less than 3 years should be kept away unless continuously supervised.

Children aged from 3 years and less than 8 years shall only switch on/off the appliance provided that it has been placed or installed in its intended normal operating position and they have been given supervision or instruction concerning the use of the appliance in a safe way and understanding the hazards involved. Children aged from 3 years and less than 8 years shall not plug in, regulate and clean the appliance or perform user maintenance.

This appliance can be used by children aged from 8 years and above and persons with reduced physical, sensory or mental capabilities or lack of experience and knowledge if they have been given supervision or instruction concerning use of the appliance in a safe way and understand the hazards involved. Children shall not play with the appliance. Cleaning and user maintenance shall not be made by children without supervision.

This appliance should be connected, according to rules and standards in application, only by an authorized person.

A towel radiator must be used for the purpose for which it is intended and not as a table, chair, toy, ladder, etc.

It is protected from ingress of water and can be installed within zone 1 (bath and shower) for IPx5 or zone 1 (bath) and zone 2 (shower) for IPx4 (see section 2.1) as long as the electrical controls are out of reach of anyone using the bath or shower.

The electricity supply must be protected by a residual current device with a maximum of 30mA, especially when installed in a room containing a bathtub or shower.

**WARNING:** This heater is not equipped with a device to control the room temperature. Do not use this heater in small rooms when they are occupied by persons not capable of leaving the room on their own, unless constant supervision is provided.

**WARNING:** This appliance is intended only for drying textiles washed in water.

**IMPORTANT:** If the power cable is damaged, for safety reasons it must be replaced by the manufacturer, the manufacturer's after-sales service department or a similarly qualified person.

**IMPORTANT:** The heating appliance must not be placed underneath a power outlet.

**IMPORTANT:** This appliance is not intended for use at altitudes exceeding 2000 m.

## OVERVIEW OF YOUR ELECTRICAL RADIATOR

This heating appliance is filled with a precise quantity of liquid. Any repair work requiring the product to be opened should only be carried out by the manufacturer or their after-sales service department, which should also be contacted in the event of a leak.

When disposing of the heating appliance, comply with the local regulations.

This electrical appliance with circulating fluid is delivered ready to use. It is plugged and filled with fluid before leaving the factory. This fluid requires no maintenance.

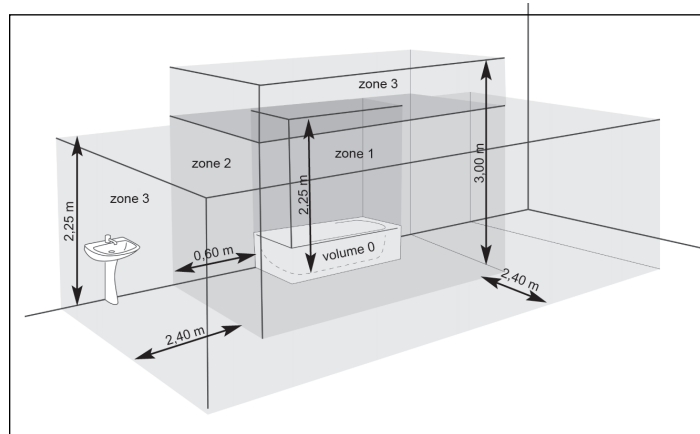
As soon as the appliance is switched on, you will notice certain differences compared to a standard electric heating system:

- the electric heating element heats the fluid, which gradually and naturally starts circulating in your appliance.
- the properties of the fluid are such that it takes approximately ten minutes for the radiator to reach its optimum surface temperature depending on the model and the room temperature when the appliance is switched on.
- this principle also ensures consistent and sustained heating even when the element is no longer powered.

The flexible cable supplied with your appliance is designed to be connected to the mains via a junction box that must be placed behind the appliance.

In a kitchen or bathroom, the junction box must be positioned at least 25cm from the floor.

The appliance must be installed as described in this document and in accordance with the applicable European and local standards as well as the rules of good professional practice.

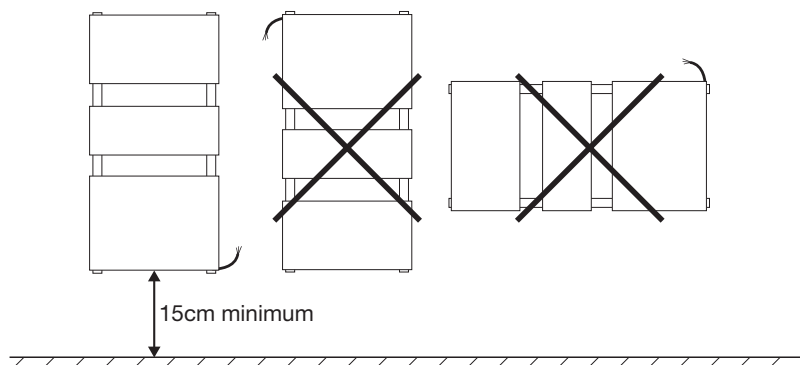
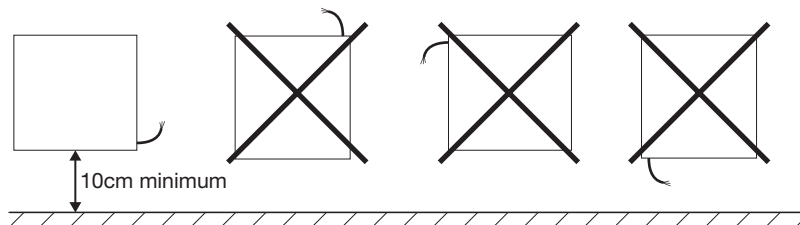


**IMPORTANT:** The example shown only concerns a bathtub. For other bathroom fixtures please consult your installer.

**IMPORTANT:** The system must be fitted with an omni-polar circuit-breaker with a minimum contact opening of 3mm.

To ensure your system is safe:

- ensure that an area of at least 50cm in front of the appliance is clear of objects which might hinder air circulation (furniture, chairs etc.);
- position a shelf at least 10cm above the top of your radiator;
- use mounting screws suitable for your wall.



**NOTE:** Electric towel radiators are designed to be covered safely. However, to ensure that your appliance works efficiently, you are advised not to cover it completely. Doing so will increase the temperature and cause the internal cutout to turn off the appliance.



**CAUTION**

Always turn off the electricity supply (circuit-braker or remove the fuse before making any connections

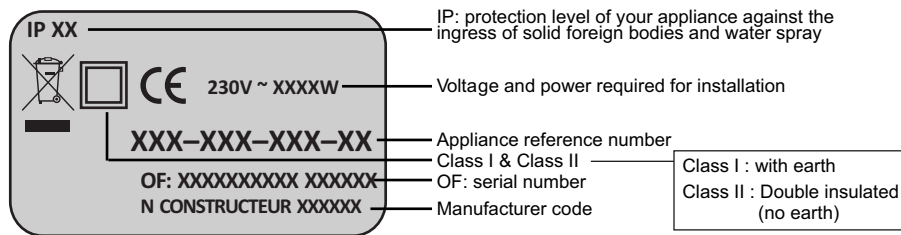
## POSITIONING YOUR APPLIANCE

To get the most out of your appliance and enjoy the highest standards of comfort, we recommend that you install the appliance near places with high heat loss (windows, doors, etc.) wherever possible.

You will find a complete set of assembly instructions in your appliance's box.

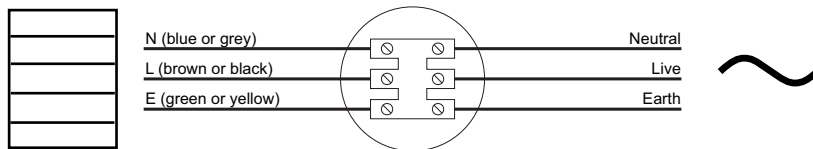
## CONNECTING THE APPLIANCE

The technical specifications of your radiator are shown on its nameplate. Please note these down before installing it and before requesting any after-sales assistance.



When connecting the appliance to the mains, you must observe:

- the voltage indicated on the nameplate;
- conventional wire colour coding:
  - blue or grey - neutral
  - brown or black - live
  - green or yellow - earth



## ROUTINE MAINTENANCE OPERATIONS

Before carrying out any maintenance operation on your appliance, ensure that it is switched off.

High-quality materials and surface treatment protect your radiator.

To maximise the service life of your radiator we recommend you take the following precautions:

- to make the most of the performance of radiators containing a heat transfer fluid, it is advisable to check after five or six years of operation the quality of the fluid and replace it if necessary.
- never use abrasive or corrosive products on the outer surfaces of the appliance (except the electrical parts); use warm, soapy water.
- use a soft, dry cloth without any solvents to clean the control box.

## TROUBLESHOOTING

Should your radiator fail to function, check that your radiator is properly connected to an appropriate power supply.

If your radiator is connected to a master device, timer or programming unit, please refer to the manufacturer's instructions.

Nonetheless, should you fail to solve the problem encountered, please contact your supplier's after-sales service for assistance.



## AFTER-SALES SERVICE

If your appliance stops working or you require spare parts, contact your installer or dealer.

Prior to making contact and to ensure your problem is dealt with quickly and effectively, please make a note of:

- the details shown on the appliance's nameplate;
- the sales reference for your appliance shown on your dated purchase invoice.

## GUARANTEE

*(See general conditions of sale for your country)*

The heating body of your electric radiator is guaranteed against manufacturing defects for ten (10) years from the date of purchase, while the other components are guaranteed for two (2) years.

It complies with the EMC Directive: 2004/108/EC regarding electromagnetic compatibility of equipment, with Low Voltage directive: 2006/95/EC regarding electrical equipment designed for use within certain voltage limits and with European standards EN 60.335.1, EN 60.335.2.43 and EN 60.335.2.30 and subsequent amendments.

Dated proof of purchase must be presented to activate the guarantee. The guarantee does not cover radiator transport, removal and installation costs.

The guarantee shall not apply if the appliance is installed, used or maintained in a way that does not comply with standards in force in the relevant country, good professional practice or the manufacturer's instructions.

## ENVIRONMENTAL REGULATIONS

RoHS: complies with Directive 2011/65/EU

WEEE: complies with Directive 2002/96/EC



Disposal of end-of-life electrical and electronic appliances. This symbol indicates that this product should not be disposed of with household waste. It must be taken to a suitable collection point to be recycled. By disposing of this product correctly, you will help prevent potential negative consequences for the environmental and human health.

## Tools & Material Required

Tape measure  
Screwdriver - crosshead  
Screwdriver - flathead  
Electric drill  
Masonry drill bit - 10mm diameter  
Spirit level  
Stepladder (for taller radiators)

Key	Component	Qty
A	Wall Plug	4
B	Bracket	4
C	Screw - Crosshead, 6.3mm dia x 60mm	4
D	Grub Screw	4
E	Allen Key	1

## Assembly Instructions

Accurately mark out bracket holes on wall using spirit level.

Drill four 10mm diameter holes to a minimum depth of 70mm & insert wall plugs (A).

Screw brackets (B) into wall plugs (A) with 6.3mm diameter x 60mm screws (C).

Slide boss on radiator into bracket (B) and secure in position by tightening grub screw (D) with allen key (E).

Electric radiators should be fitted only by a qualified electrician and must be earthed and connected to a cable outlet in the bathroom in accordance with I.E.E. wiring regulations. The electrical connection should be made to a '5 amp fused fixed spur' located outside the bathroom.

*Note: for maintenance purposes, cable outlets must remain accessible and cables must not be buried directly into walls.*

