

Zehnder Osbourne

Formerly the Bisque Osbourne

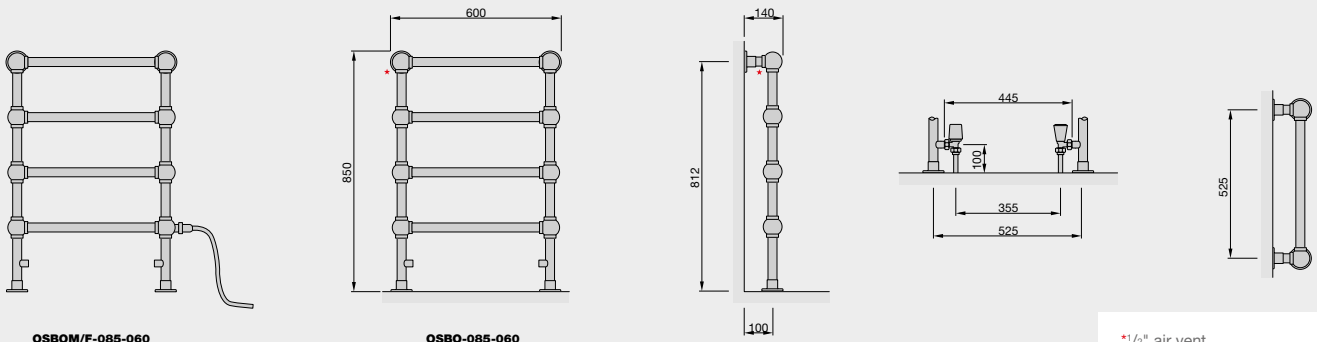


Stocked Items

In stock items highlighted in black	Height mm	Width mm	Finish	Output $\Delta T=50^{\circ}C$ Watts/btu All outputs certified to EN 442	RRP (ex VAT)	RRP (inc 20% VAT)
Zehnder Osbourne						
OSBO-085-060-CPHO	850	600	chrome	246/839	£1,073	£1,287.60
OSBO-085-060-BNHO	850	600	bright nickel	246/839	£1,340	£1,608.00
OSBO-085-060-AGHO	850	600	antique gold	246/839	£1,982	£2,378.40
OSBO-085-060-DGHO	850	600	dark gold	246/839	£1,982	£2,378.40
OSBO-085-060-PBHO	850	600	polished brass	246/839	£1,877	£2,252.40
OSBO-085-060-ABHO	850	600	antique brass	246/839	£1,877	£2,252.40
OSBO-085-060-BZHO	850	600	antique bronze	246/839	£1,877	£2,252.40
OSBO-085-060-ACHO	850	600	antique copper	246/839	£1,877	£2,252.40
OSBO-085-060-PCHO	850	600	polished copper	246/839	£1,877	£2,252.40
OSBO-085-060-BCHO	850	600	brushed copper	246/839	£1,877	£2,252.40

In stock items highlighted in black	Height mm	Width mm	Finish	Output $\Delta T=50^{\circ}C$ Watts/btu All outputs certified to EN 442	Dual Fuel Immersion Rating in Watts	RRP (ex VAT)	RRP (inc 20% VAT)
Zehnder Osbourne Dual Energy Heating Model							
OSBOM/F-085-060-CPDE	850	600	chrome	246/839	150	£1,274	£1,528.80
OSBOM/F-085-060-BNDE	850	600	bright nickel	246/839	150	£1,542	£1,850.40
OSBOM/F-085-060-AGDE	850	600	antique gold	246/839	150	£2,185	£2,622.00
OSBOM/F-085-060-DGDE	850	600	dark gold	246/839	150	£2,185	£2,622.00
OSBOM/F-085-060-PBDE	850	600	polished brass	246/839	150	£2,078	£2,493.60
OSBOM/F-085-060-ABDE	850	600	antique brass	246/839	150	£2,078	£2,493.60
OSBOM/F-085-060-BZDE	850	600	antique bronze	246/839	150	£2,078	£2,493.60
OSBOM/F-085-060-ACDE	850	600	antique copper	246/839	150	£2,078	£2,493.60
OSBOM/F-085-060-PCDE	850	600	polished copper	246/839	150	£2,078	£2,493.60
OSBOM/F-085-060-BCDE	850	600	brushed copper	246/839	150	£2,078	£2,493.60

In stock items highlighted in black	Height mm	Width mm	Finish	Simple immersion heater Class I IPX4 Zone 1 Bath, Zone 2 Shower Electric rating (Watts)	RRP (ex VAT)	RRP (inc 20% VAT)
Zehnder Osbourne Electric Heating Model						
OSBOE/F-085-060-CPEO	850	600	chrome	150	£1,369	£1,642.80
OSBOE/F-085-060-BNEO	850	600	bright nickel	150	£1,657	£1,988.40
OSBOE/F-085-060-AGEO	850	600	antique gold	150	£2,349	£2,818.80
OSBOE/F-085-060-DGEO	850	600	dark gold	150	£2,349	£2,818.80
OSBOE/F-085-060-PBEO	850	600	polished brass	150	£2,232	£2,678.40
OSBOE/F-085-060-ABEO	850	600	antique brass	150	£2,232	£2,678.40
OSBOE/F-085-060-BZEO	850	600	antique bronze	150	£2,232	£2,678.40
OSBOE/F-085-060-ACEO	850	600	antique copper	150	£2,232	£2,678.40
OSBOE/F-085-060-PCEO	850	600	polished copper	150	£2,232	£2,678.40
OSBOE/F-085-060-BCEO	850	600	brushed copper	150	£2,232	£2,678.40



*1/2" air vent
 Tube: Horizontal $\varnothing 31.8mm$
 Tube: Vertical $\varnothing 31.8mm$
 All dimensions in mm

formerly the
BISQUE OSBOURNE

This distinguished, ball jointed towel rail is a great choice for traditional bathrooms and has plenty of space for luxurious, fluffy towels. Made from chromed brass the **Osbourne** can be used on both central heating and hot water systems. It is also available to order in a range of fabulous finishes including nickel, brass and antique bronze.

The Zehnder Osbourne is also available in a number of Deluxe finishes, turn to the back of this catalogue to find out more.

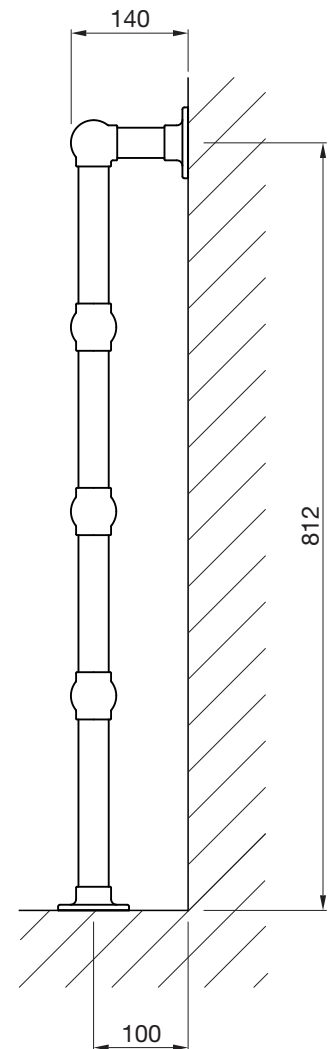
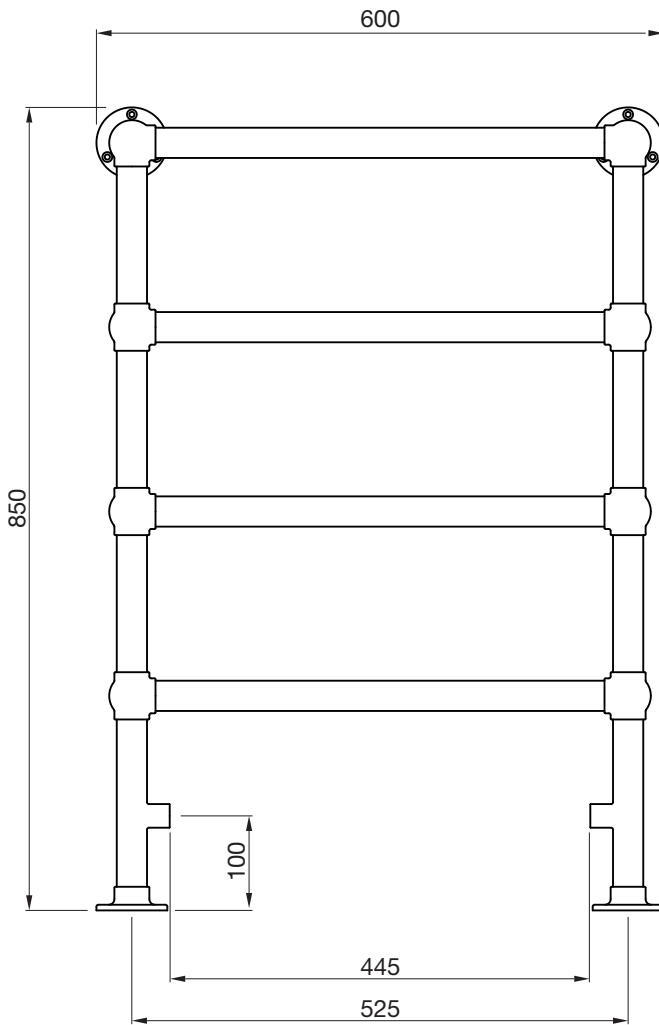


ANTIQUÉ BRONZE



For pipes from the wall or floor
Zehnder recommends VALVE SET 8.





All dimensions shown are in millimetres

Test pressure: **6.9 BAR**
 Max working pressure: **5 BAR**
 Max working temperature: **120° C**
 All brass construction: **dia 31.8mm round tubes**
 Connections: **½ inch BSP tapplings**

Heat output determined in accordance with EN 442
 Test Laboratory: BSRIA

Model	Height ± 2mm	Width ± 2mm	Finish	Output ΔT=50K		Output ΔT=30K		n	Weight kg	Water Content litres
				Watts	Btu	Watts	Btu			
OSBO-085-060	850	600	chrome	246	839	128	437	1.23	4.8	3.0

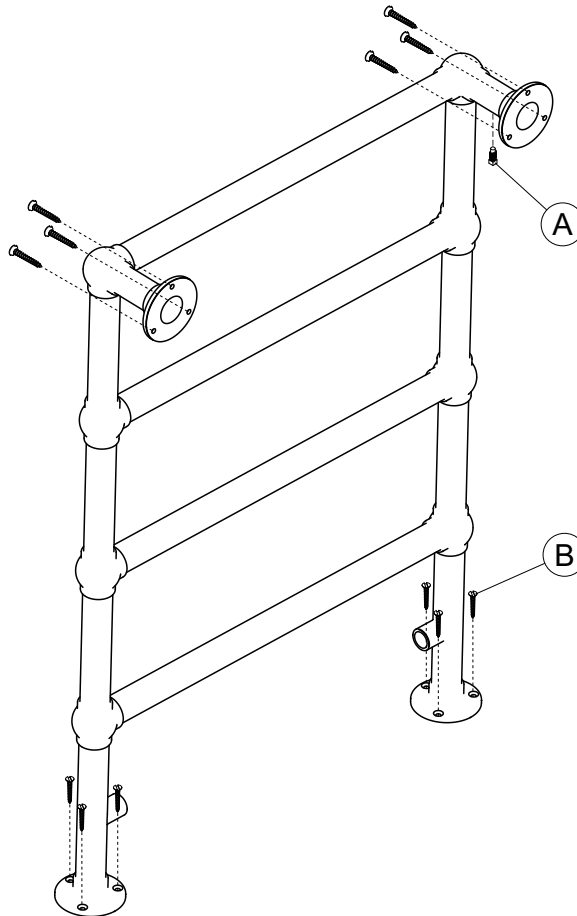
Issue 1.0



Tools & Material Required

Suitable valves
PTFE tape
Silicone thread sealant
Tape measure
Allen key - 13mm & 12mm (when installing Zehnder valves)
Spanner - 13mm & 14mm
Screwdriver - flathead
Electric drill
Masonry drill bit

Key	Component	Qty
A	Air Vent	1
B	Screw	12



Assembly Instructions

*Sufficient PTFE tape must be applied to valve-tail threads prior to their installation.
Silicone thread sealant should be applied to all threaded components manufactured with 'O-rings'.*

Fit valve tails, using correct size Allen key.

Fit air vent (A).

Accurately mark out bracket holes on floor & wall.

Drill twelve fixing holes. Screws (B) are supplied but ensure that appropriate fixings are used for the type of wall the radiator is being mounted on.

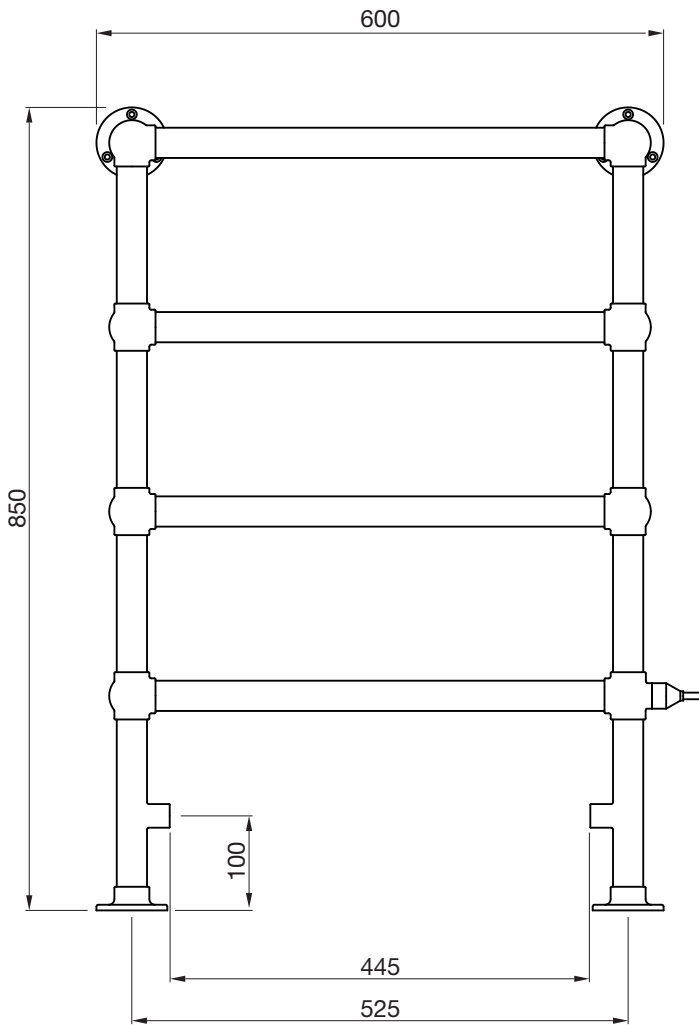
Screw radiator to floor & wall.

Plumb radiator to heating circuit. To enable more efficient bleeding of the radiator, it is recommended that the flow enters the radiator in the right-hand header.

This radiator should be installed onto a central heating system that has been cleaned/flushed and contains water treatment and inhibitors in accordance with BS7593.

Zehnder Osbourne Dual Energy

always the
best climate **zehnder**



All dimensions shown are in millimetres

Test pressure: **6.9 BAR**
 Max working pressure: **5 BAR**
 Max working temperature: **120° C**
 All brass construction: **dia 31.8mm round tubes**
 Connections: **½ inch BSP tappings**
 Electrical connection: **1.2m long flying lead (3 core)**
 Immersion heater rating: **IPX4 or better**

Heat output determined in accordance with EN 442
 Test Laboratory: BSRIA

Model	Height ± 2mm	Width ± 2mm	Finish	Immersion Output Watts	Output ΔT=50K		Output ΔT=30K		n	Weight kg	Water Content litres
					Watts	Btu	Watts	Btu			
OSBOM/F-085-060	850	600	chrome	150	246	839	128	437	1.23	4.8	3.0

Issue 1.0



Zehnder Group UK Ltd

Concept House
 Watchmoor Point
 Camberley
 Surrey GU15 3AD

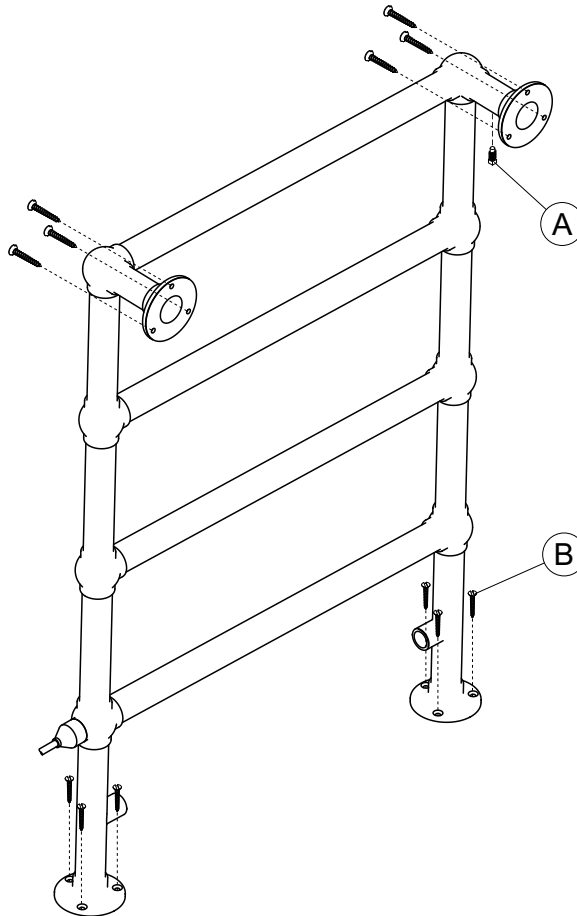
Tel: 01276 605800
 Fax: 01276 24058
 retailsales@zehnder.co.uk
 www.zehnder.co.uk

Registered in England: 2296696

Tools & Material Required

Suitable valves
PTFE tape
Silicone thread sealant
Tape measure
Allen key - 13mm & 12mm (when installing Zehnder valves)
Spanner - 13mm & 14mm
Screwdriver - flathead
Electric drill
Masonry drill bit

Key	Component	Qty
A	Air Vent	1
B	Screw	12



Assembly Instructions

*Sufficient PTFE tape must be applied to valve-tail threads prior to their installation.
Silicone thread sealant should be applied to all threaded components manufactured with 'O-rings'.*

Fit valve tails, using correct size Allen key.

Fit air vent (A).

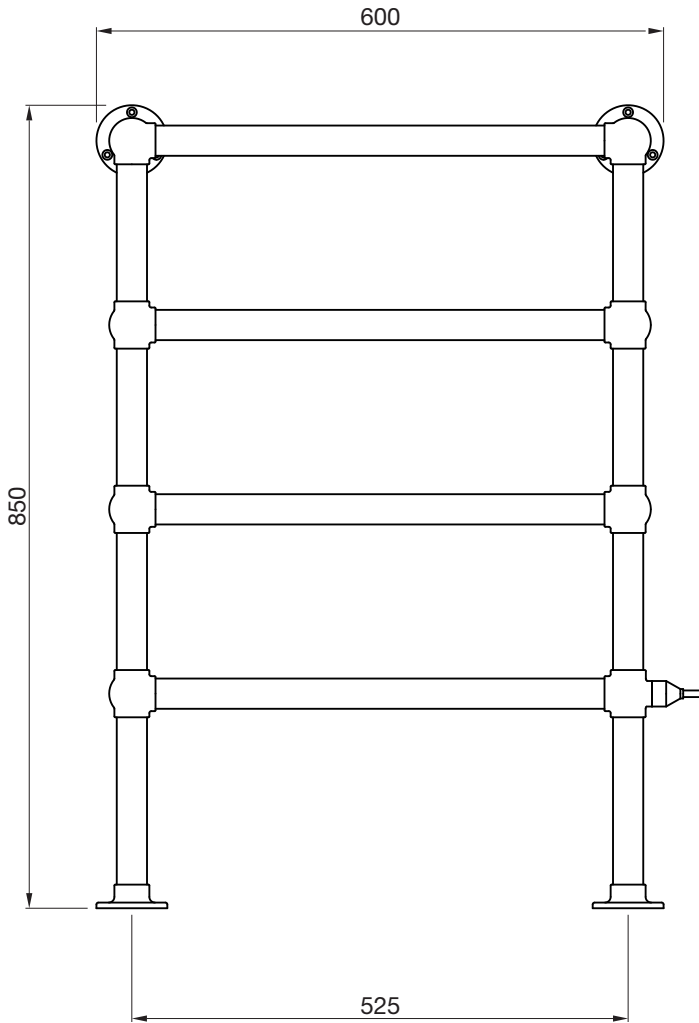
Accurately mark out bracket holes on floor & wall.

Drill twelve fixing holes. Screws (B) are supplied but ensure that appropriate fixings are used for the type of wall the radiator is being mounted on.

Screw radiator to floor & wall.

Plumb radiator to heating circuit. To enable more efficient bleeding of the radiator, it is recommended that the flow enters the radiator in the right-hand header.

This radiator should be installed onto a central heating system that has been cleaned/flushed and contains water treatment and inhibitors in accordance with BS7593.



All dimensions shown are in millimetres

All brass construction: **dia 31.8mm round tubes**
 Connection: **1.2m long flying lead (3 core)**
 Immersion heater rating: **IPX4 or better**

Model	Height* ± 2mm	Width ± 2mm	Finish	Output Watts	Weight kg
OSBOE/F-085-060	850	600	chrome	150	7.6

Issue 1.0



Tools & Material Required

Screwdriver - flathead
Electric drill
Masonry drill bit

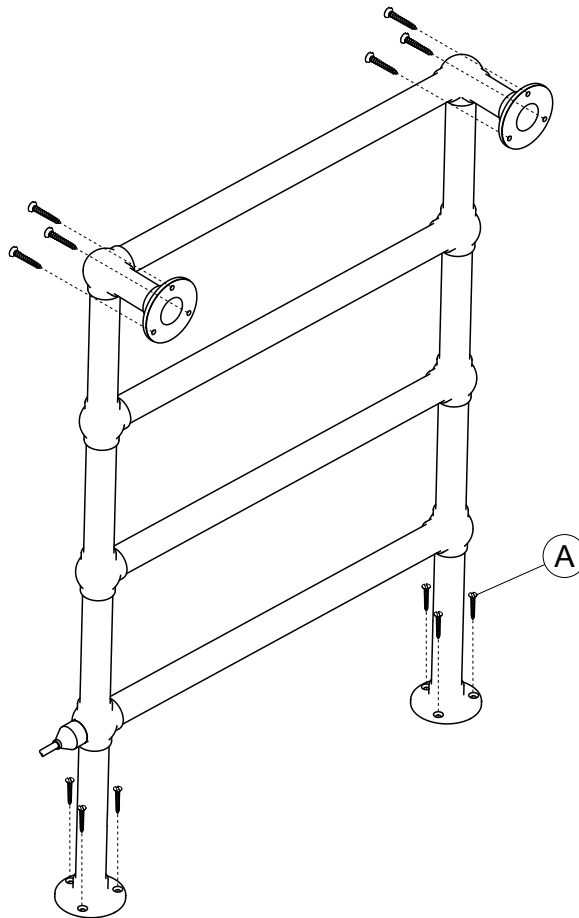
Key

A Screw

Component

Qty

12



Assembly Instructions

Accurately mark out bracket holes on floor & wall.

Drill twelve fixing holes. Screws (A) are supplied but ensure that appropriate fixings are used for the type of wall the radiator is being mounted on.
Screw radiator to floor & wall.

Electric radiators should be fitted only by a qualified electrician and must be earthed and connected to a cable outlet in the bathroom in accordance with I.E.E. wiring regulations. The electrical connection should be made to a '5 amp fused fixed spur' located outside the bathroom.

Note: for maintenance purposes, cable outlets must remain accessible and cables must not be buried directly into walls.