

Zehnder Orbit

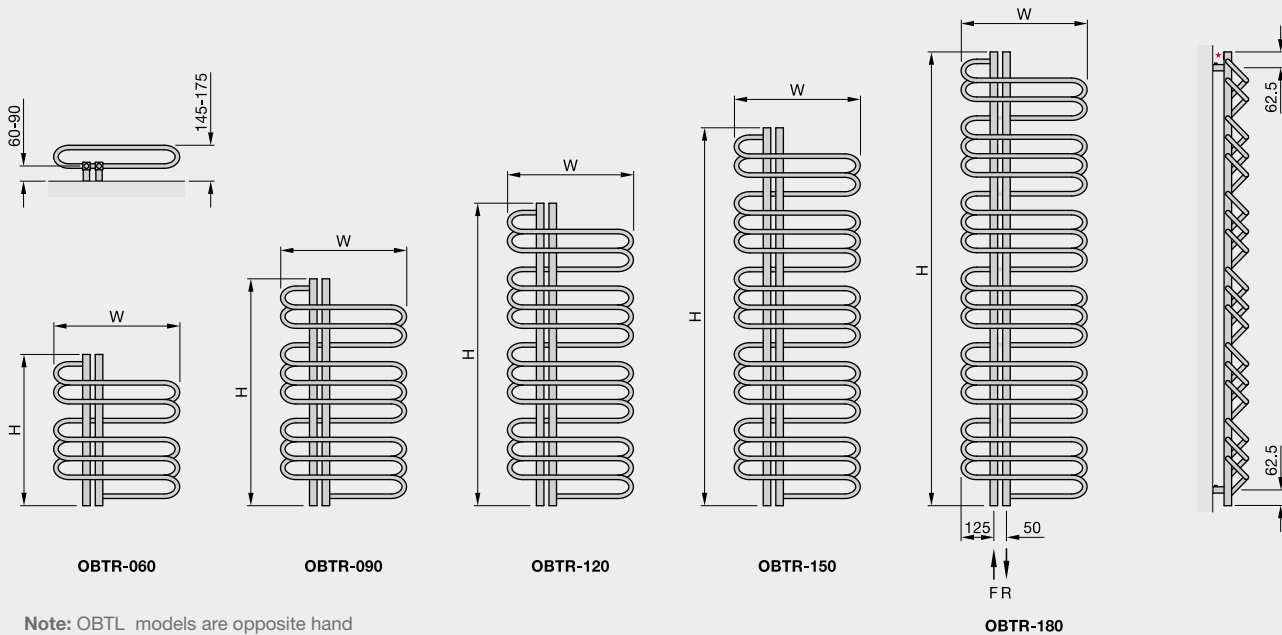
Formerly the Bisque Orbit



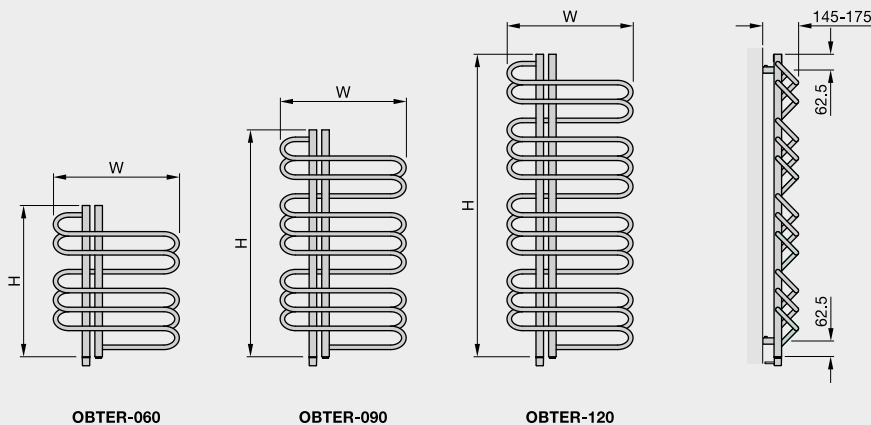
Stocked Items

In stock items highlighted in black	Height mm	Width mm	Finish	Output ΔT=50°C Watts/btu All outputs certified to EN 442	RRP (ex VAT)	RRP (inc 20% VAT)
Zehnder Orbit						
OBTL-060-050	600	500	stainless steel mirror	192/655	£600	£720.00
OBTL-090-050	900	500	stainless steel mirror	295/1007	£850	£1,020.00
OBTL-120-050	1200	500	stainless steel mirror	403/1375	£1,114	£1,336.80
OBTL-150-050	1500	500	stainless steel mirror	516/1761	£1,360	£1,632.00
OBTL-180-050	1800	500	stainless steel mirror	636/2170	£1,533	£1,839.60
OBTR-060-050	600	500	stainless steel mirror	192/655	£600	£720.00
OBTR-090-050	900	500	stainless steel mirror	295/1007	£850	£1,020.00
OBTR-120-050	1200	500	stainless steel mirror	403/1375	£1,114	£1,336.80
OBTR-150-050	1500	500	stainless steel mirror	516/1761	£1,360	£1,632.00
OBTR-180-050	1800	500	stainless steel mirror	636/2170	£1,533	£1,839.60

In stock items highlighted in black	Height mm	Width mm	Finish	Simple immersion heater Class I IPX4 Zone 1 Bath, Zone 2 Shower Electric rating (Watts)	RRP (ex VAT)	RRP (inc 20% VAT)
Zehnder Orbit Electric Heating Model						
OBTER-060-050/F	600	500	stainless steel mirror	150	£699	£838.80
OBTER-090-050/F	900	500	stainless steel mirror	200	£965	£1,158.00
OBTER-120-050/F	1200	500	stainless steel mirror	250	£1,242	£1,490.40



Note: OBTL models are opposite hand



*1/2" air vent
Width excludes air vent
F = flow
R = return
H = height
W = width
Tube: Horizontal Ø18mm
Tube: Vertical 30mm x 30mm
Immersion heater: 36mm
All dimensions in mm

formerly the
BISQUE ORBIT

Made of highly polished stainless steel, the **Orbit** towel rail will shine in any bathroom or kitchen. Its looping tubes allow plenty of space for towels and cleverly hidden air vents complete the neat look. This stellar product can go on the central heating or hot water system.




OBTL model



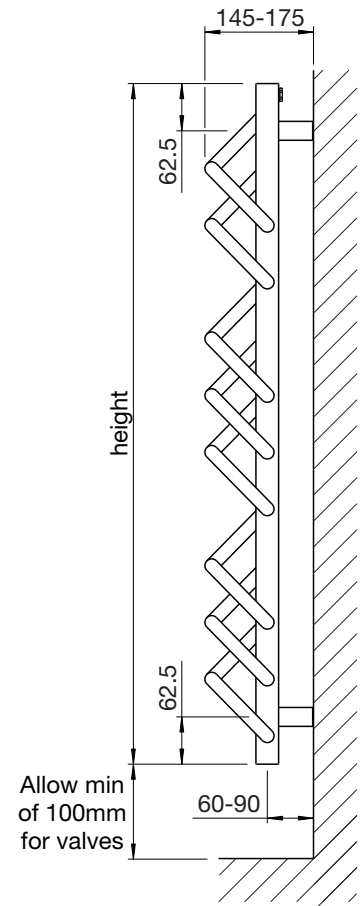
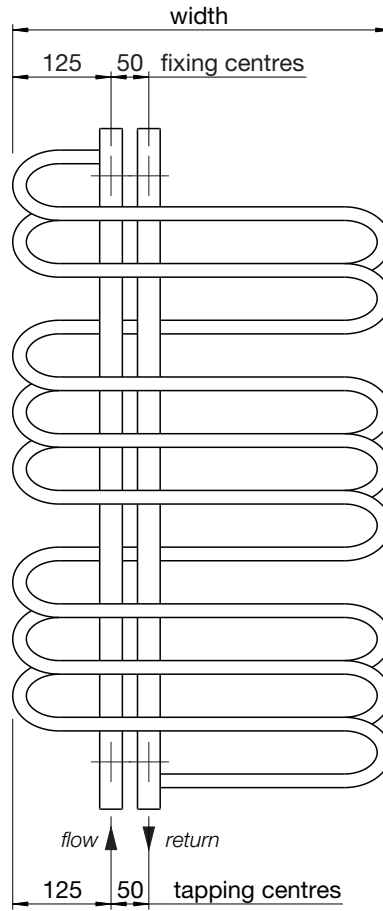
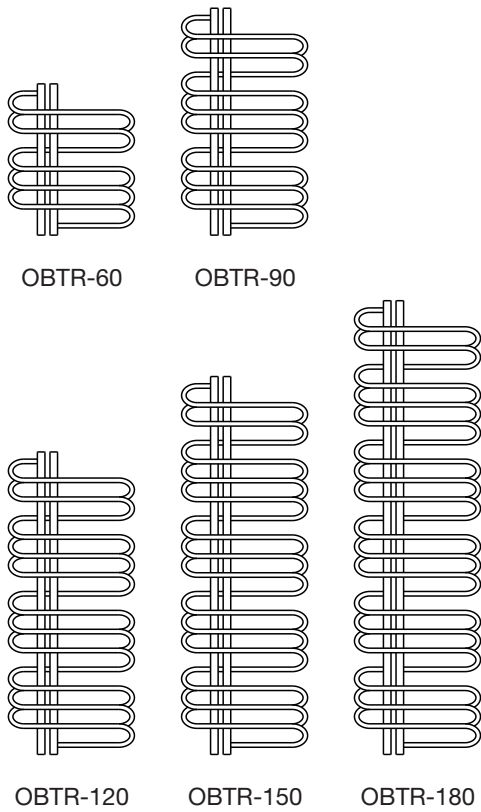
For pipes from the wall
Zehnder recommends VALVE SET 5.



The complete  compliant technical specifications can be viewed by scanning here.



OBTL models are opposite hand

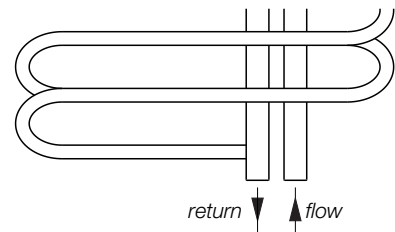


This radiator is not suitable for dual energy conversion

All dimensions shown are in millimetres

Test pressure: **11.7 BAR**
 Max working pressure: **9 BAR**
 Max working temperature: **120° C**
 All stainless steel construction: **30mm x 30mm x 1.2mm headers**
dia 18mm x 1.2mm tubes
 Connections: **½ inch BSP underside tappings**

Heat output determined in accordance with EN 442
 Test Laboratory:



OBTL connection details

Model	Height ± 2mm	Width ± 2mm	Finish	Output ΔT=50K		Output ΔT=30K		n	Weight kg	Water Content litres
				Watts	Btu	Watts	Btu			
OBTR-060-050	600	500	mirror	215	734	115	392	1.17	4.0	1.9
OBTR-090-050	900	500	mirror	301	1027	161	549	1.22	6.0	3.0
OBTR-120-050	1200	500	mirror	416	1419	220	751	1.24	7.9	3.7
OBTR-150-050	1500	500	mirror	500	1706	265	904	1.26	9.9	4.8
OBTR-180-050	1800	500	mirror	634	2163	337	1150	1.22	11.7	6.0
OBTL-060-050	600	500	mirror	215	734	115	392	1.17	4.0	1.9
OBTL-090-050	900	500	mirror	301	1027	161	549	1.22	6.0	3.0
OBTL-120-050	1200	500	mirror	416	1419	220	751	1.24	7.9	3.7
OBTL-150-050	1500	500	mirror	500	1706	265	904	1.26	9.9	4.8
OBTL-180-050	1800	500	mirror	634	2163	337	1150	1.22	11.7	6.0

Issue 1.0



Tools & Material Required

Suitable valves
PTFE tape
Silicone thread sealant
Tape measure
Allen key - 13mm & 12mm (when installing Zehnder valves)
Spanner - 13mm & 14mm
Screwdriver - crosshead
Pliers
Electric drill
Masonry drill bit
Spirit level
Stepladder (for taller radiators)

Key	Component	Qty
A	Air Vent	1
B	Blanking Plug	1
C	Wall Plug	4
D	Bracket	4
E	Screw - Cross Head, 6mm dia x 60mm	4
F	Grub Screw	4
G	Allen Key	1

Assembly Instructions

Sufficient PTFE tape must be applied to valve-tail threads prior to their installation.

Silicone thread sealant should be applied to all threaded components manufactured with 'O-rings'.

Fit valve tails, using correct size Allen key.

Fit air vent (A) and blanking plug (B).

Accurately mark out bracket holes on wall using spirit level.

Drill four holes to a minimum depth of 65mm & insert wall plugs (C).

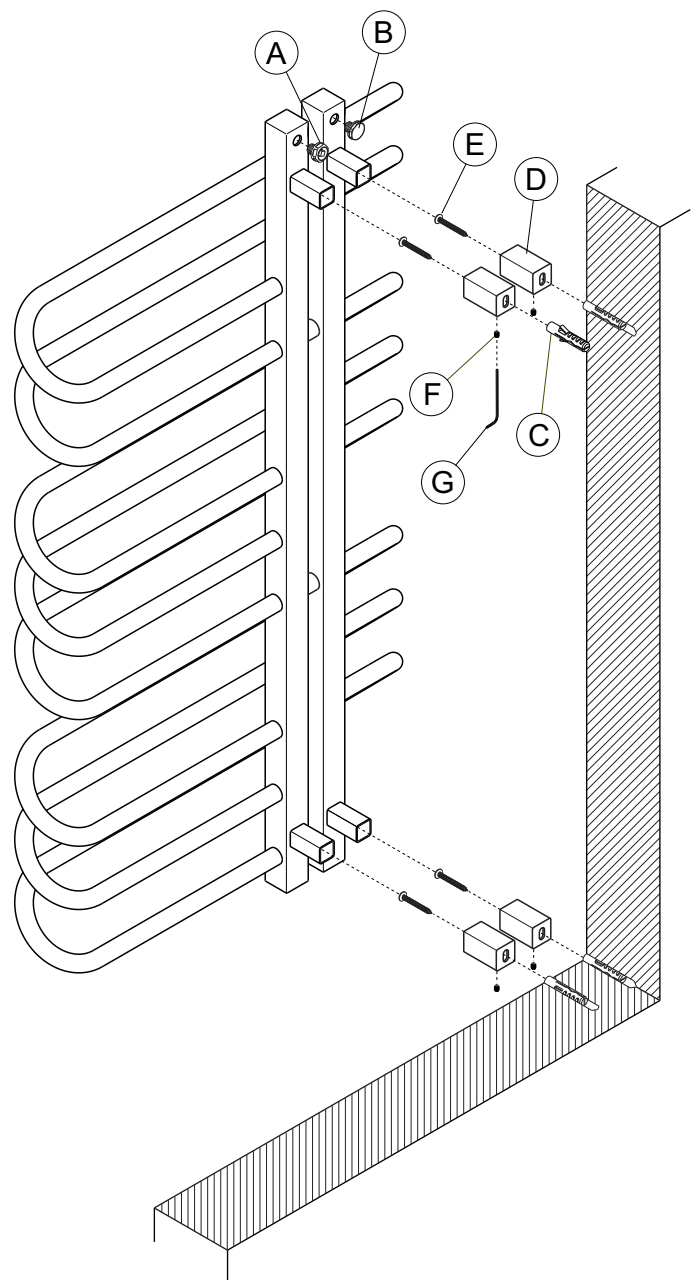
Screw brackets (D) into wall plugs (C) with 6mm diameter x 60mm screws (E).

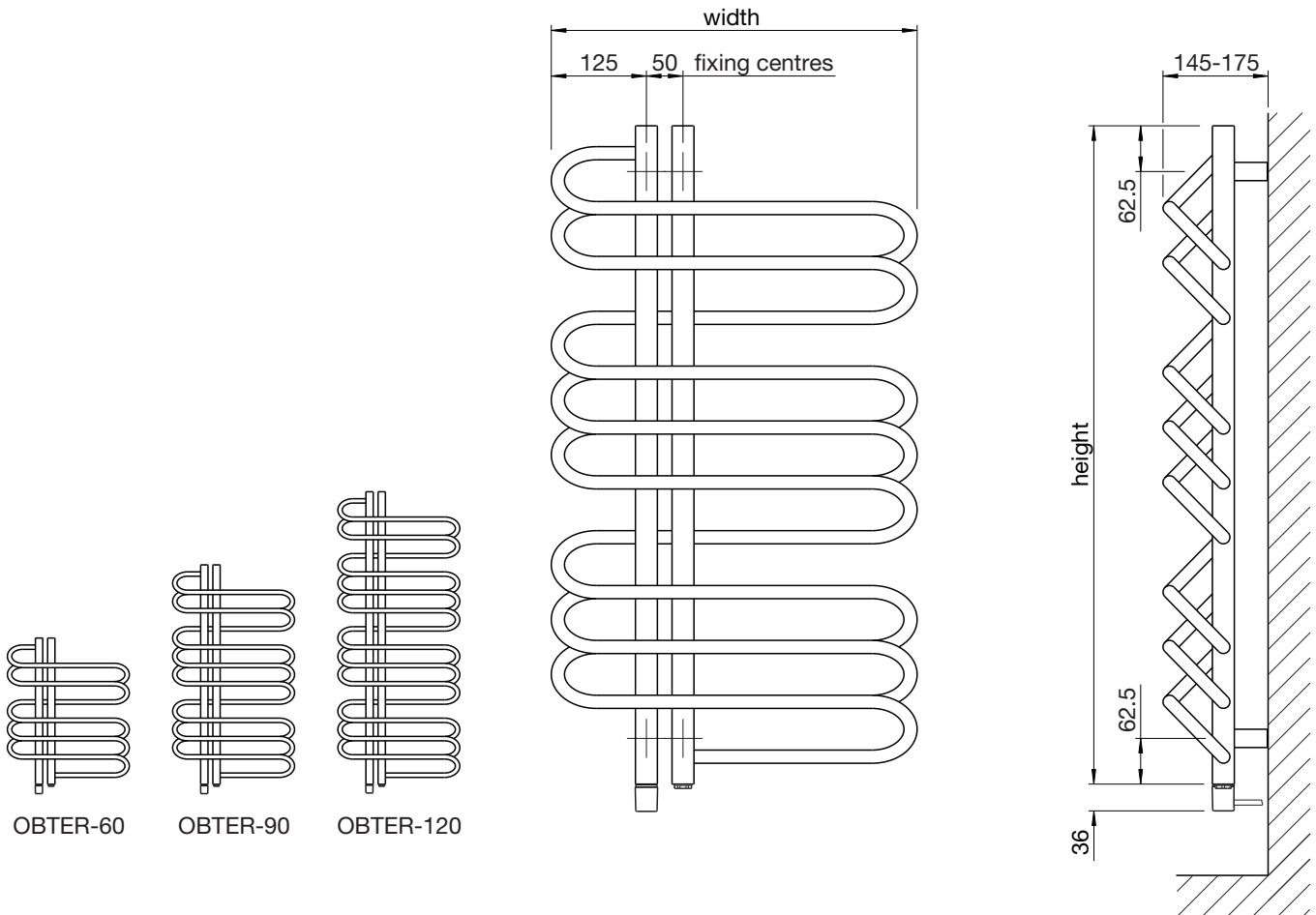
Offer radiator up to wall and slide square posts on the rear of the radiator into brackets (D).

Secure radiator in position by tightening grub screw (F) with Allen key (G).

Plumb radiator to heating circuit with flow opposite air vent.

This radiator should be installed onto a central heating system that has been cleaned/flushed and contains water treatment and inhibitors in accordance with BS7593.





All dimensions shown are in millimetres

All stainless steel construction: **30mm x 30mm x 1.5mm headers
dia 18mm x 1.2mm round tubes**

Connections: **1.2m long flying lead (3 core)**

Immersion heater rating: **IPX4 or better**

* does not include immersion heater

Model	Height* ± 2mm	Width ± 2mm	Finish	Output Watts	Weight kg
OBTER-060-050/F	600	500	mirror	150	5.9
OBTER-090-050/F	900	500	mirror	200	9.0
OBTER-120-050/F	1200	500	mirror	250	11.6

Issue 1.0



This product has been manufactured in accordance with our stringent quality requirements to give you total satisfaction. To get the most out of your radiator we advise you to read these instructions carefully and keep them to hand.

WARNINGS



CAUTION (TOWEL DRYER): to avoid any danger to very young children, you are advised to install this appliance so that the lowest heating bar is at least 600mm off the floor.



CAUTION (RADIATOR): to avoid overheating, do not cover the appliance.



Do not sit on the heating appliance.



Caution, hot surface.

Caution - some parts of this product can become very hot and cause burns. Particular attention has to be given where children and vulnerable people are present.

Children of less than 3 years should be kept away unless continuously supervised.

Children aged from 3 years and less than 8 years shall only switch on/off the appliance provided that it has been placed or installed in its intended normal operating position and they have been given supervision or instruction concerning the use of the appliance in a safe way and understanding the hazards involved. Children aged from 3 years and less than 8 years shall not plug in, regulate and clean the appliance or perform user maintenance.

This appliance can be used by children aged from 8 years and above and persons with reduced physical, sensory or mental capabilities or lack of experience and knowledge if they have been given supervision or instruction concerning use of the appliance in a safe way and understand the hazards involved. Children shall not play with the appliance. Cleaning and user maintenance shall not be made by children without supervision.

This appliance should be connected, according to rules and standards in application, only by an authorized person.

A towel radiator must be used for the purpose for which it is intended and not as a table, chair, toy, ladder, etc.

It is protected from ingress of water and can be installed within zone 1 (bath and shower) for IPx5 or zone 1 (bath) and zone 2 (shower) for IPx4 (see section 2.1) as long as the electrical controls are out of reach of anyone using the bath or shower.

The electricity supply must be protected by a residual current device with a maximum of 30mA, especially when installed in a room containing a bathtub or shower.

WARNING: This heater is not equipped with a device to control the room temperature. Do not use this heater in small rooms when they are occupied by persons not capable of leaving the room on their own, unless constant supervision is provided.

WARNING: This appliance is intended only for drying textiles washed in water.

IMPORTANT: If the power cable is damaged, for safety reasons it must be replaced by the manufacturer, the manufacturer's after-sales service department or a similarly qualified person.

IMPORTANT: The heating appliance must not be placed underneath a power outlet.

IMPORTANT: This appliance is not intended for use at altitudes exceeding 2000 m.

OVERVIEW OF YOUR ELECTRICAL RADIATOR

This heating appliance is filled with a precise quantity of liquid. Any repair work requiring the product to be opened should only be carried out by the manufacturer or their after-sales service department, which should also be contacted in the event of a leak.

When disposing of the heating appliance, comply with the local regulations.

This electrical appliance with circulating fluid is delivered ready to use. It is plugged and filled with fluid before leaving the factory. This fluid requires no maintenance.

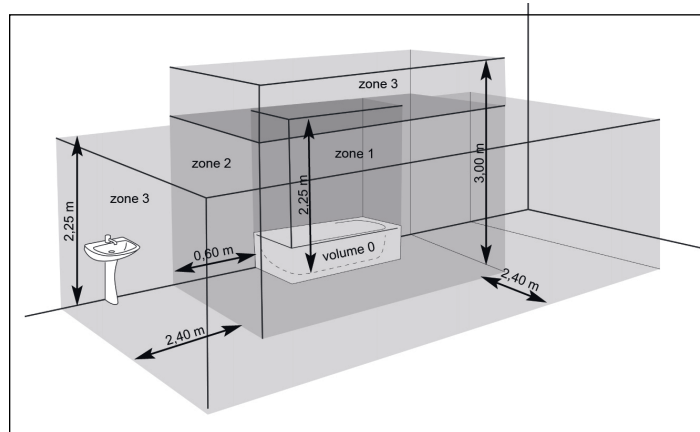
As soon as the appliance is switched on, you will notice certain differences compared to a standard electric heating system:

- the electric heating element heats the fluid, which gradually and naturally starts circulating in your appliance.
- the properties of the fluid are such that it takes approximately ten minutes for the radiator to reach its optimum surface temperature depending on the model and the room temperature when the appliance is switched on.
- this principle also ensures consistent and sustained heating even when the element is no longer powered.

The flexible cable supplied with your appliance is designed to be connected to the mains via a junction box that must be placed behind the appliance.

In a kitchen or bathroom, the junction box must be positioned at least 25cm from the floor.

The appliance must be installed as described in this document and in accordance with the applicable European and local standards as well as the rules of good professional practice.

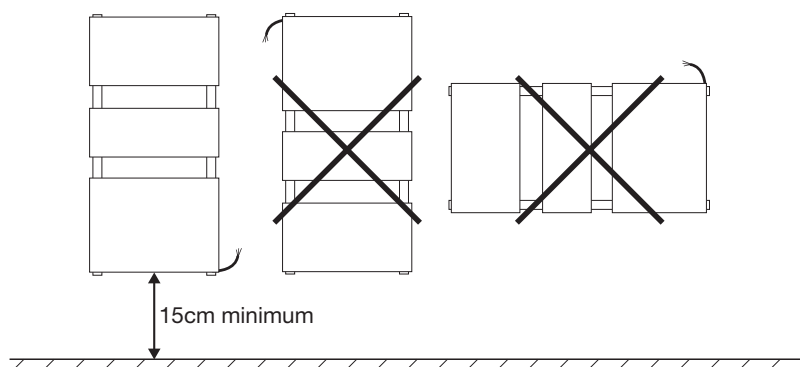
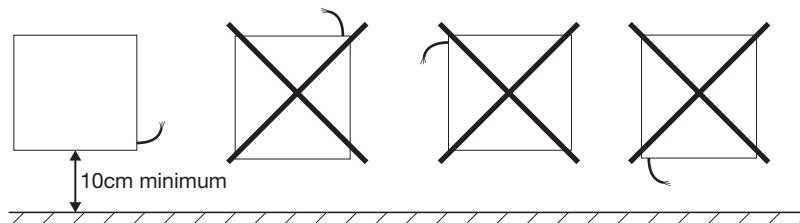


IMPORTANT: The example shown only concerns a bathtub. For other bathroom fixtures please consult your installer.

IMPORTANT: The system must be fitted with an omni-polar circuit-breaker with a minimum contact opening of 3mm.

To ensure your system is safe:

- ensure that an area of at least 50cm in front of the appliance is clear of objects which might hinder air circulation (furniture, chairs etc.);
- position a shelf at least 10cm above the top of your radiator;
- use mounting screws suitable for your wall.



NOTE: Electric towel radiators are designed to be covered safely. However, to ensure that your appliance works efficiently, you are advised not to cover it completely. Doing so will increase the temperature and cause the internal cutout to turn off the appliance.



CAUTION

Always turn off the electricity supply (circuit-braker or remove the fuse before making any connections

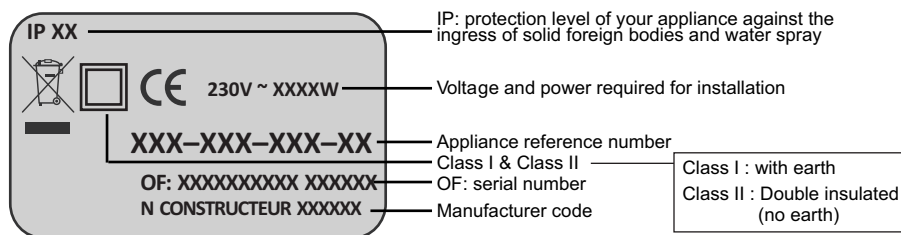
POSITIONING YOUR APPLIANCE

To get the most out of your appliance and enjoy the highest standards of comfort, we recommend that you install the appliance near places with high heat loss (windows, doors, etc.) wherever possible.

You will find a complete set of assembly instructions in your appliance's box.

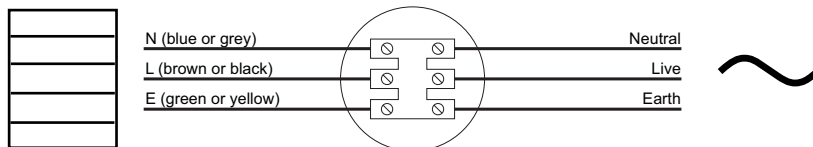
CONNECTING THE APPLIANCE

The technical specifications of your radiator are shown on its nameplate. Please note these down before installing it and before requesting any after-sales assistance.



When connecting the appliance to the mains, you must observe:

- the voltage indicated on the nameplate;
- conventional wire colour coding:
 - blue or grey - neutral
 - brown or black - live
 - green or yellow - earth



ROUTINE MAINTENANCE OPERATIONS

Before carrying out any maintenance operation on your appliance, ensure that it is switched off.

High-quality materials and surface treatment protect your radiator.

To maximise the service life of your radiator we recommend you take the following precautions:

- to make the most of the performance of radiators containing a heat transfer fluid, it is advisable to check after five or six years of operation the quality of the fluid and replace it if necessary.
- never use abrasive or corrosive products on the outer surfaces of the appliance (except the electrical parts); use warm, soapy water.
- use a soft, dry cloth without any solvents to clean the control box.

TROUBLESHOOTING

Should your radiator fail to function, check that your radiator is properly connected to an appropriate power supply.

If your radiator is connected to a master device, timer or programming unit, please refer to the manufacturer's instructions.

Nonetheless, should you fail to solve the problem encountered, please contact your supplier's after-sales service for assistance.

AFTER-SALES SERVICE

If your appliance stops working or you require spare parts, contact your installer or dealer.

Prior to making contact and to ensure your problem is dealt with quickly and effectively, please make a note of:

- the details shown on the appliance's nameplate;
- the sales reference for your appliance shown on your dated purchase invoice.

GUARANTEE

(See general conditions of sale for your country)

The heating body of your electric radiator is guaranteed against manufacturing defects for ten (10) years from the date of purchase, while the other components are guaranteed for two (2) years.

It complies with the EMC Directive: 2004/108/EC regarding electromagnetic compatibility of equipment, with Low Voltage directive: 2006/95/EC regarding electrical equipment designed for use within certain voltage limits and with European standards EN 60.335.1, EN 60.335.2.43 and EN 60.335.2.30 and subsequent amendments.

Dated proof of purchase must be presented to activate the guarantee. The guarantee does not cover radiator transport, removal and installation costs.

The guarantee shall not apply if the appliance is installed, used or maintained in a way that does not comply with standards in force in the relevant country, good professional practice or the manufacturer's instructions.

ENVIRONMENTAL REGULATIONS

RoHS: complies with Directive 2011/65/EU

WEEE: complies with Directive 2002/96/EC



Disposal of end-of-life electrical and electronic appliances. This symbol indicates that this product should not be disposed of with household waste. It must be taken to a suitable collection point to be recycled. By disposing of this product correctly, you will help prevent potential negative consequences for the environmental and human health.

Tools & Material Required

Screwdriver - crosshead
Pliers
Electric drill
Masonry drill bit
Spirit level
Stepladder (for taller radiators)

Key	Component	Qty
A	Wall Plug	4
B	Bracket	4
C	Screw - Cross Head, 6mm dia x 60mm	4
D	Grub Screw	4
E	Allen Key	1

Assembly Instructions

Accurately mark out bracket holes on wall using spirit level.

Drill four holes to a minimum depth of 65mm & insert wall plugs (A).

Screw brackets (B) into wall plugs (A) with 6mm diameter x 60mm screws (C).

Offer radiator up to wall and slide square posts on the rear of the radiator into brackets (B).

Secure radiator in position by tightening grub screw (D) with Allen key (E).

Electric radiators should be fitted only by a qualified electrician and must be earthed and connected to a cable outlet in the bathroom in accordance with I.E.E. wiring regulations. The electrical connection should be made to a '5 amp fused fixed spur' located outside the bathroom.

Note: for maintenance purposes, cable outlets must remain accessible and cables must not be buried directly into walls.

