

Zehnder Klaro



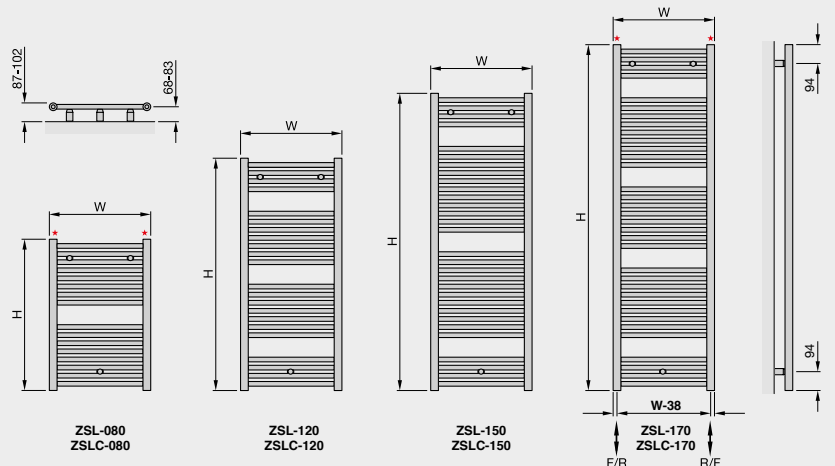
Stocked Items

In stock items highlighted in black	Height mm	Width mm	Finish	Output $\Delta T=50^{\circ}C$ Watts/btu All outputs certified to EN 442	Dual Fuel Immersion Rating in Watts	RRP (ex VAT)	RRP (inc 20% VAT)
Zehnder Klaro							
ZSL-080-045	748	450	white*	354/1208	250	£166	£199.20
ZSL-080-050	748	500	white*	388/1324	250	£171	£205.20
ZSL-080-060	748	600	white*	455/1552	300	£182	£218.40
ZSL-120-045	1148	450	white*	521/1778	300	£197	£236.40
ZSL-120-050	1148	500	white*	571/1948	400	£202	£242.40
ZSL-120-060	1148	600	white*	670/2286	400	£217	£260.40
ZSL-150-050	1466	500	white*	716/2443	500	£250	£300.00
ZSL-150-060	1466	600	white*	839/2863	500	£263	£315.60
ZSL-170-050	1708	500	white*	824/2811	500	£281	£337.20
ZSL-170-060	1708	600	white*	966/3296	600	£288	£345.60
ZSL-080-045-0336	748	450	volcanic	354/1208	250	£208	£249.60
ZSL-120-050-0336	1148	500	volcanic	571/1948	400	£253	£303.60
ZSL-120-060-0336	1148	600	volcanic	670/2286	400	£271	£325.20
ZSL-150-050-0336	1466	500	volcanic	716/2443	500	£313	£375.60
ZSL-150-060-0336	1466	600	volcanic	839/2863	500	£329	£394.80
ZSL-170-050-0336	1708	500	volcanic	824/2811	500	£351	£421.20
ZSL-170-060-0336	1708	600	volcanic	966/3296	600	£360	£432.00
ZSL-080-045-0523	748	450	beige quartz	354/1208	250	£208	£249.60
ZSL-120-050-0523	1148	500	beige quartz	571/1948	400	£253	£303.60
ZSL-120-060-0523	1148	600	beige quartz	670/2286	400	£271	£325.20
ZSL-150-050-0523	1466	500	beige quartz	716/2443	500	£313	£375.60
ZSL-150-060-0523	1466	600	beige quartz	839/2863	500	£329	£394.80
ZSL-170-050-0523	1708	500	beige quartz	824/2811	500	£351	£421.20
ZSL-170-060-0523	1708	600	beige quartz	966/3296	600	£360	£432.00
ZSL-080-045-0557	748	450	matt black	354/1208	250	£208	£249.60
ZSL-120-050-0557	1148	500	matt black	571/1948	400	£253	£303.60
ZSL-120-060-0557	1148	600	matt black	670/2286	400	£271	£325.20
ZSL-150-050-0557	1466	500	matt black	716/2443	500	£313	£375.60
ZSL-150-060-0557	1466	600	matt black	839/2863	500	£329	£394.80
ZSL-170-050-0557	1708	500	matt black	824/2811	500	£351	£421.20
ZSL-170-060-0557	1708	600	matt black	966/3296	600	£360	£432.00
ZSLC-080-050	748	500	chrome	283/966	200	£344	£412.80
ZSLC-080-060	748	600	chrome	332/1133	200	£373	£447.60
ZSLC-120-050	1148	500	chrome	417/1423	300	£439	£526.80
ZSLC-120-060	1148	600	chrome	489/1668	300	£477	£572.40
ZSLC-150-050	1466	500	chrome	475/1621	300	£565	£678.00
ZSLC-150-060	1466	600	chrome	560/1911	400	£611	£733.20
ZSLC-170-050	1708	500	chrome	601/2050	400	£652	£782.40
ZSLC-170-060	1708	600	chrome	705/2405	500	£707	£848.40

*White (RAL 9016)

Dual energy: Self fit (additional cost to central heating model prices).
For more information please scan the QR code on the following page.

Colour finish: Standard colours from the Zehnder colour chart including matt white finish are priced at: RAL 9016 + 25%. Colour finish and non-stock products delivery: 3-5 weeks.



*1/2" air vent
† width excludes air vent
F = flow
R = return
Tube: Horizontal \varnothing 23mm
Vertical \varnothing 38mm
Air vent can be moved either side depending on flow position.

The **Klaro** is an affordable style, suitable for central heating systems or for use with an immersion heater during summer when the central heating is turned off.



VOLCANIC



Zehnder recommends VALVE-SET-2-CR. information see page 182.



The complete CE compliant technical specifications can be viewed by scanning here.



Zehnder Klaro Electric



Stocked Items

In stock items highlighted in black	Height mm	Width mm	Finish	Simple electric immersion heater Class II IPX4 Zones 1 & 2 Electric rating (Watts)	RRP (ex VAT)	RRP (inc 20% VAT)
Zehnder Klaro Electric						
ZLSS080045EAKZ	748	450	white*	200	£262	£314.40
ZLSS080050EAKZ	748	500	white*	400	£282	£338.40
ZLSS080060EAKZ	748	600	white*	400	£300	£360.00
ZLSS120050EAKZ	1148	500	white*	400	£338	£405.60
ZLSS120060EAKZ	1148	600	white*	500	£373	£447.60
ZLSS150050EAKZ	1466	500	white*	500	£404	£484.80
ZLSS150060EAKZ	1466	600	white*	600	£442	£530.40
ZLSS170050EAKZ	1708	500	white*	600	£444	£532.80
ZLSS170060EAKZ	1708	600	white*	600	£481	£577.20
ZLCS080050EAKZ	748	500	chrome	200	£452	£542.40
ZLCS080060EAKZ	748	600	chrome	200	£492	£590.40
ZLCS120050EAKZ	1148	500	chrome	400	£581	£697.20
ZLCS120060EAKZ	1148	600	chrome	400	£652	£782.40
ZLCS150050EAKZ	1466	500	chrome	400	£738	£885.60
ZLCS150060EAKZ	1466	600	chrome	400	£820	£984.00
ZLCS170050EAKZ	1708	500	chrome	400	£802	£962.40
ZLCS170060EAKZ	1708	600	chrome	500	£867	£1,040.40

*White (RAL 9016)

When using the simple immersion heater, mount the radiators with the immersion heater to the left or right as required.

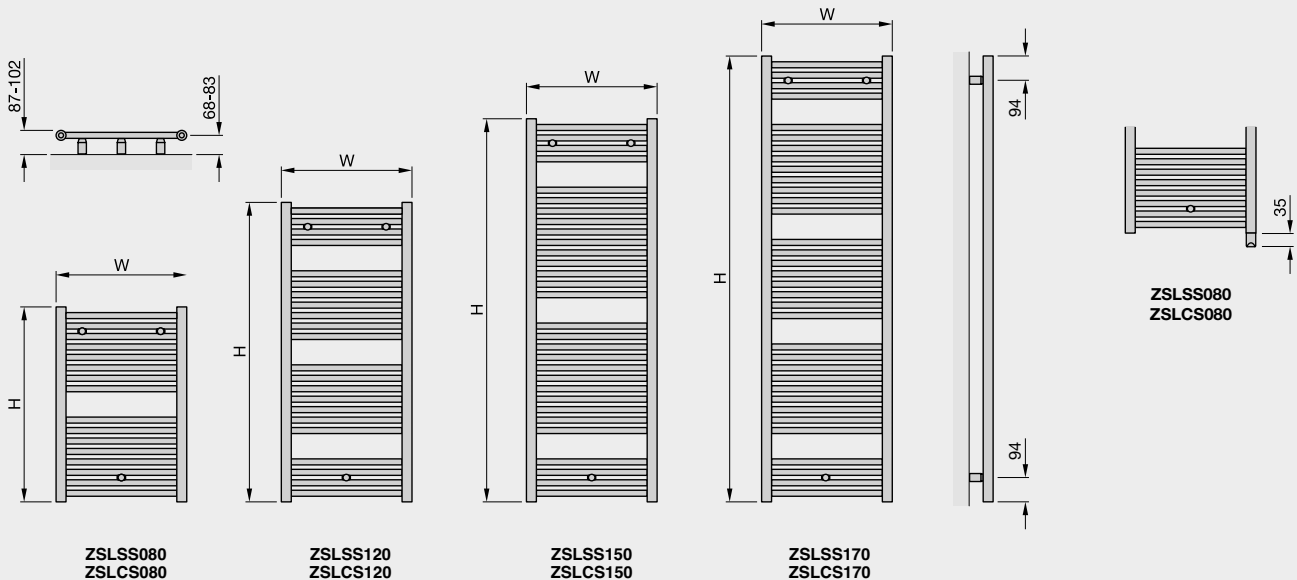
Note: Height does not include the immersion heater. (See diagrams below)



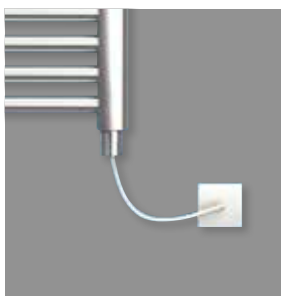
Colour finish: Standard colours from the Zehnder colour chart including matt white finish are priced at: RAL 9016 + 25%.

Colour finish and non-stock products delivery: 3-5 weeks.

H = height
W = width
Tube: Horizontal Ø 23mm
Tube: Vertical Ø 38mm
All dimensions in mm



The **Klaro Electric** towel rail will keep towels warm and fluffy all year round. It's a practical solution and makes a stylish addition to any bathroom.

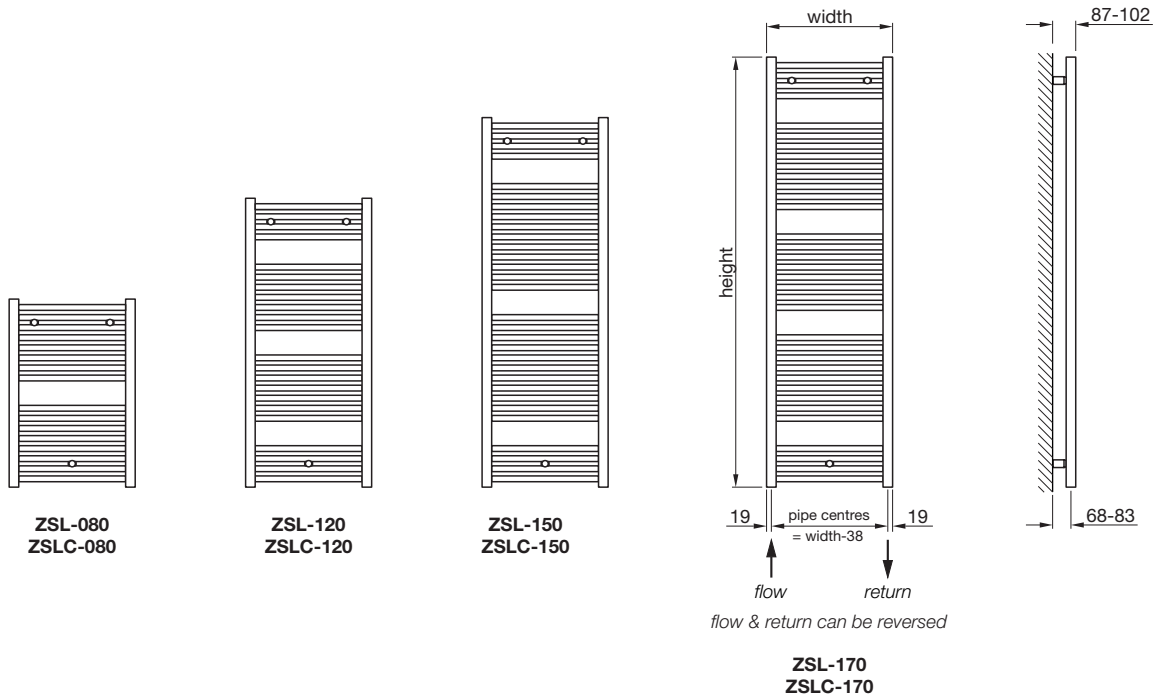


Simple Immersion



The complete CE compliant technical specifications can be viewed by scanning here.





All dimensions shown are in millimetres

Test pressure: **6.8 BAR**
 Max working pressure: **4 BAR**
 Max working temperature: **110° C**
 All steel construction: **dia 23mm horizontal tubes**
dia 38mm headers
 Connections: **½ inch BSP underside tappings**

Not suitable for use on domestic hot water system

Heat output determined in accordance with EN 442
 Test Laboratory: HLK Stuttgart, Test Lab Registration No: 0626

* rating for simple immersion/CTEC or CTEW in Watts

Model	Height ± 2mm	Width ± 2mm	Finish	Pipe Centres ± 2mm	Output ΔT=50K		Output ΔT=30K		n	Weight kg	Water Content litres	Max. Immersion Rating*
					Watts	Btu	Watts	Btu				
ZSL-080-045	748	450	painted	412	354	1208	187	638	1.25	5.4	3.6	250
ZSL-080-050	748	500	painted	462	388	1324	205	699	1.25	5.8	3.8	250
ZSL-080-060	748	600	painted	562	455	1552	239	815	1.26	6.7	4.3	300
ZSL-120-045	1148	450	painted	412	521	1778	272	928	1.27	8.1	5.4	300
ZSL-120-050	1148	500	painted	462	571	1948	300	1024	1.26	8.7	5.8	400
ZSL-120-060	1148	600	painted	562	670	2286	352	1201	1.26	9.8	6.6	400
ZSL-150-050	1466	500	painted	462	716	2443	372	1269	1.28	10.9	7.4	500
ZSL-150-060	1466	600	painted	562	839	2863	436	1488	1.28	12.3	8.5	500
ZSL-170-050	1708	500	painted	462	824	2811	424	1447	1.30	12.2	8.5	500
ZSL-170-060	1708	600	painted	562	966	3296	502	1713	1.28	14.2	9.6	600
ZSLC-080-050	748	500	chrome	462	283	966	146	498	1.30	5.8	3.8	200
ZSLC-080-060	748	600	chrome	562	332	1133	172	587	1.29	6.7	4.3	200
ZSLC-120-050	1148	500	chrome	462	417	1423	214	730	1.31	8.7	5.8	300
ZSLC-120-060	1148	600	chrome	562	489	1668	250	853	1.31	9.8	6.6	300
ZSLC-150-050	1466	500	chrome	462	475	1621	241	822	1.33	10.5	7.4	300
ZSLC-150-060	1466	600	chrome	562	560	1911	287	979	1.31	12.1	8.5	400
ZSLC-170-050	1708	500	chrome	462	601	2050	309	1054	1.30	12.2	8.5	400
ZSLC-170-060	1708	600	chrome	562	705	2405	361	1232	1.31	14.2	9.6	500

Issue 1.0



Tools & Material Required

Suitable valves
PTFE tape
Silicone thread sealant
Tape measure
Allen key - 13mm & 12mm (when installing Zehnder valves)
Spanner - 13mm & 14mm
Screwdriver - crosshead
Electric drill
Masonry drill bit
Spirit level
Stepladder (for taller radiators)

Key	Component	Qty
A	Air Vent - 1/2"	1
B	Blanking Plug	1
C	Clamp - Outer	3
D	Clamp - Inner	3
E	Boss	3
F	Wall Plug	3
G	Bracket	3
H	Screw - Hex Head, 6mm dia x 60mm	3
I	Washer	3
J	Grub Screw	3
K	Allen Key	1

Assembly Instructions

Sufficient PTFE tape must be applied to valve-tail threads prior to their installation.

Silicone thread sealant should be applied to all threaded components manufactured with 'O-rings'.

Fit valve tails, using correct size Allen key.

Fit air vent (A) & blanking plug (B).

Loosely assemble outer clamps (C), inner clamps (D) & bosses (E) on radiator.

Accurately mark out bracket holes on wall using spirit level.

Drill three holes to a minimum depth of 65mm & insert wall plugs (F). Screw brackets (G) into wall plugs (F) with 6mm diameter x 70mm screws (H) & washers (I).

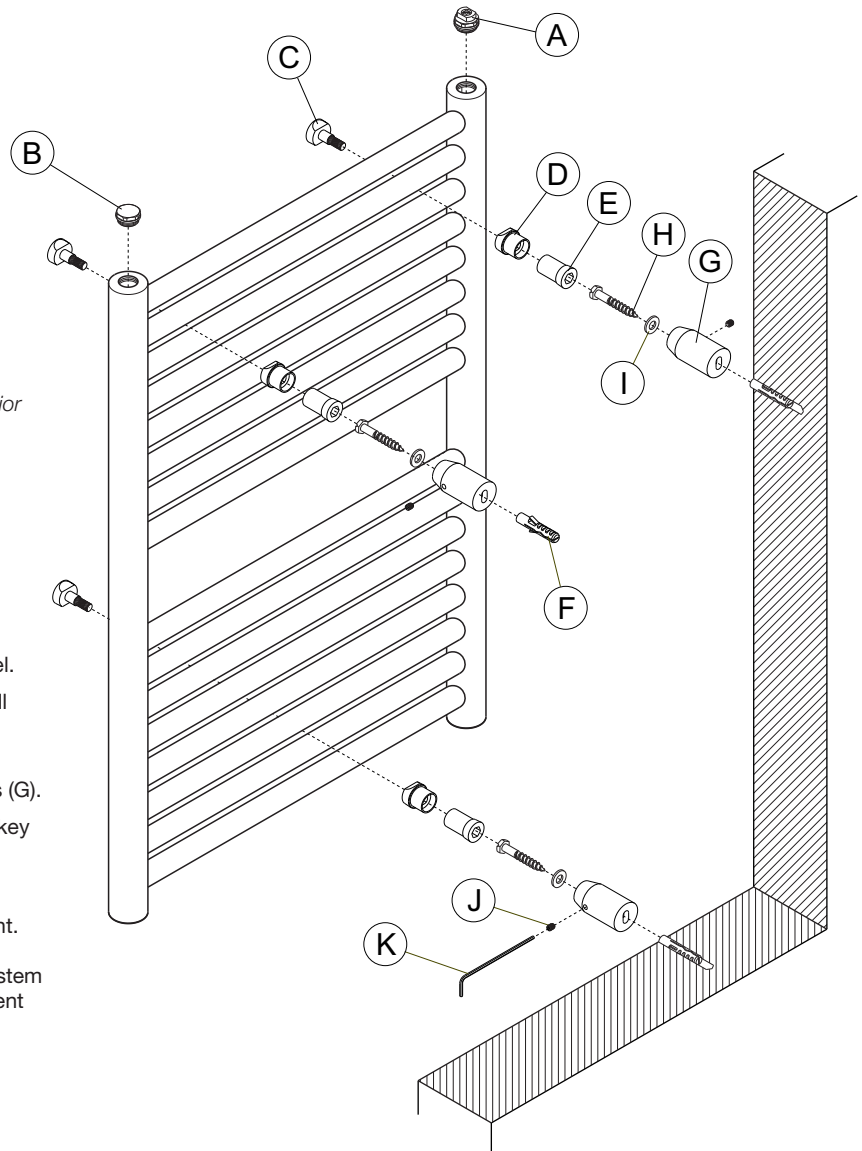
Offer radiator up to wall and slide bosses (E) into brackets (G).

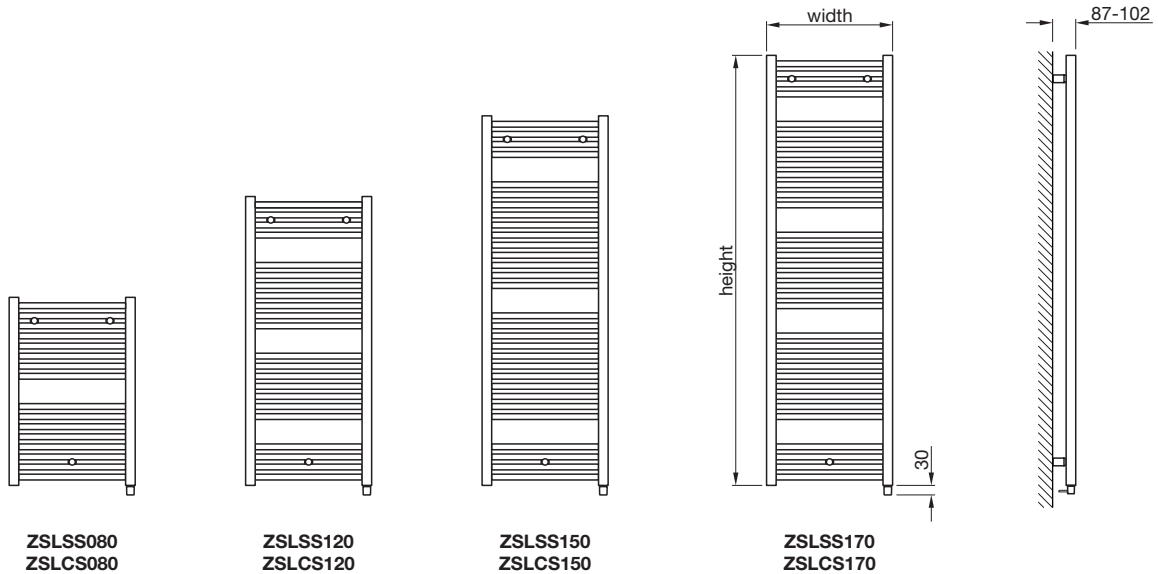
Secure in position by tightening grub screw (J) with Allen key (K).

Tighten outer clamps (C).

Plumb radiator to heating circuit with flow opposite air vent.

This radiator should be installed onto a central heating system that has been cleaned/flushed and contains water treatment and inhibitors in accordance with BS7593.





All dimensions shown are in millimetres

All steel construction: **dia 23mm horizontal tubes**
dia 38mm headers

Connections: **1.2m long flying lead (2 core)**

* does not include immersion heater

Model	Height* ± 2mm	Width ± 2mm	Finish	Output Watts	Weight kg
ZLSS080045EAZK	748	450	painted	200	9.3
ZLSS080050EAZK	748	500	painted	400	10.0
ZLSS080060EAZK	748	600	painted	400	11.5
ZLSS120050EAZK	1148	500	painted	400	14.1
ZLSS120060EAZK	1148	600	painted	500	16.3
ZLSS150050EAZK	1466	500	painted	500	18.7
ZLSS150060EAZK	1466	600	painted	600	21.4
ZLSS170050EAZK	1708	500	painted	600	21.3
ZLSS170060EAZK	1708	600	painted	600	24.6
ZLCS080050EAZK	748	500	chrome	200	10.0
ZLCS080060EAZK	748	600	chrome	200	11.5
ZLCS120050EAZK	1148	500	chrome	400	14.1
ZLCS120060EAZK	1148	600	chrome	400	16.3
ZLCS150050EAZK	1466	500	chrome	400	18.7
ZLCS150060EAZK	1466	600	chrome	400	21.4
ZLCS170050EAZK	1708	500	chrome	400	21.3
ZLCS170060EAZK	1708	600	chrome	500	24.6

Issue 1.0



Tools & Material Required

Tape measure
Spanner - 13mm & 14mm
Screwdriver - crosshead
Electric drill
Masonry drill bit
Spirit level
Stepladder (for taller radiators)

Key	Component	Qty
A	Clamp - Outer	3
B	Clamp - Inner	3
C	Boss	3
D	Wall Plug	3
E	Bracket	3
F	Screw - Hex Head, 6mm dia x 60mm	3
G	Washer	3
H	Grub Screw	3
I	Allen Key	1

Assembly Instructions

Loosely assemble outer clamps (A), inner clamps (B) & bosses (C) on radiator.

Accurately mark out bracket holes on wall using spirit level.

Drill three holes to a minimum depth of 65mm & insert wall plugs (D). Screw brackets (E) into wall plugs (D) with 6mm diameter x 70mm screws (F) & washers (G).

Offer radiator up to wall and slide bosses (C) into brackets (E).

Secure in position by tightening grub screw (H) with Allen key (I).

Tighten outer clamps (A).

Electric radiators should be fitted only by a qualified electrician and must be earthed and connected to a cable outlet in the bathroom in accordance with I.E.E. wiring regulations. The electrical connection should be made to a '5 amp fused fixed spur' located outside the bathroom.

Note: for maintenance purposes, cable outlets must remain accessible and cables must not be buried directly into walls.

