



Zehnder
Flow Form

No longer hidden behind grilles, the industrial heating element appears as a beautiful object in its own right. Flow Form's spiral fin, designed for technical efficiency, adds a dramatic twist to modern living.

zehnder

always the
best climate

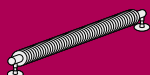
STUDIO
COLLECTION



GENERAL PURPOSE RADIATORS

Zehnder Flow Form & Flow Form Electric

Formerly the Bisque Flow Form

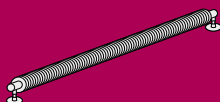


FFZ-130-100 : white & colours
FFZI-130-100 : stainless steel brushed

height: 130 mm
length: 1000 mm
diameter: 88 mm
output: 246 watts / 839 btu
stainless steel output:
163 watts / 556 btu
pipe centres: length plus valves

+ VAT

white (RAL 9016):	£408	£489.60
colours:	£510	£612.00
stainless steel brushed:	£367	£440.40

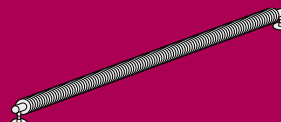


FFZ-130-150 : white & colours
FFZI-130-150 : stainless steel brushed

height: 130 mm
length: 1500 mm
diameter: 88 mm
output: 361 watts / 1232 btu
stainless steel output:
240 watts / 819 btu
pipe centres: length plus valves

+ VAT

white (RAL 9016):	£516	£619.20
colours:	£645	£774.00
stainless steel brushed:	£444	£532.80



FFZ-130-200 : white & colours
FFZI-130-200 : stainless steel brushed

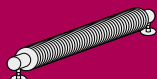
height: 130 mm
length: 2000 mm
diameter: 88 mm
output: 498 watts / 1699 btu
stainless steel output:
316 watts / 1078 btu
pipe centres: length plus valves

+ VAT

white (RAL 9016):	£624	£748.80
colours:	£780	£936.00
stainless steel brushed:	£518	£621.60



For pipes from floor we recommend valve set 27 see page 181.

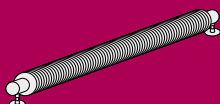


FFZ-190-100 : white & colours
FFZC-190-100 : chrome
FFZI-190-100 : stainless steel brushed

height: 190 mm
length: 1000 mm
diameter: 133 mm
output: 370 watts / 1262 btu
output chrome: 346 watts / 1181 btu
stainless steel output:
222 watts / 757 btu
pipe centres: length plus valves

+ VAT

white (RAL 9016):	£513	£615.60
colours:	£641	£769.20
chrome:	£898	£1,077.60
stainless steel brushed:	£461	£553.20

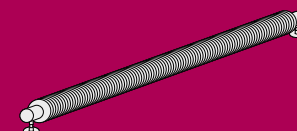


FFZ-190-150 : white & colours
FFZC-190-150 : chrome
FFZI-190-150 : stainless steel brushed

height: 190 mm
length: 1500 mm
diameter: 133 mm
output: 565 watts / 1928 btu
output chrome: 513 watts / 1750 btu
stainless steel output:
340 watts / 1160 btu
pipe centres: length plus valves

+ VAT

white (RAL 9016):	£631	£757.20
colours:	£789	£946.80
chrome:	£1,104	£1,324.80
stainless steel brushed:	£543	£651.60



FFZ-190-200 : white & colours
FFZC-190-200 : chrome
FFZI-190-200 : stainless steel brushed

height: 190 mm
length: 2000 mm
diameter: 133 mm
output: 797 watts / 2719 btu
output chrome: 706 watts / 2409 btu
stainless steel output:
464 watts / 1583 btu
pipe centres: length plus valves

+ VAT

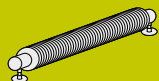
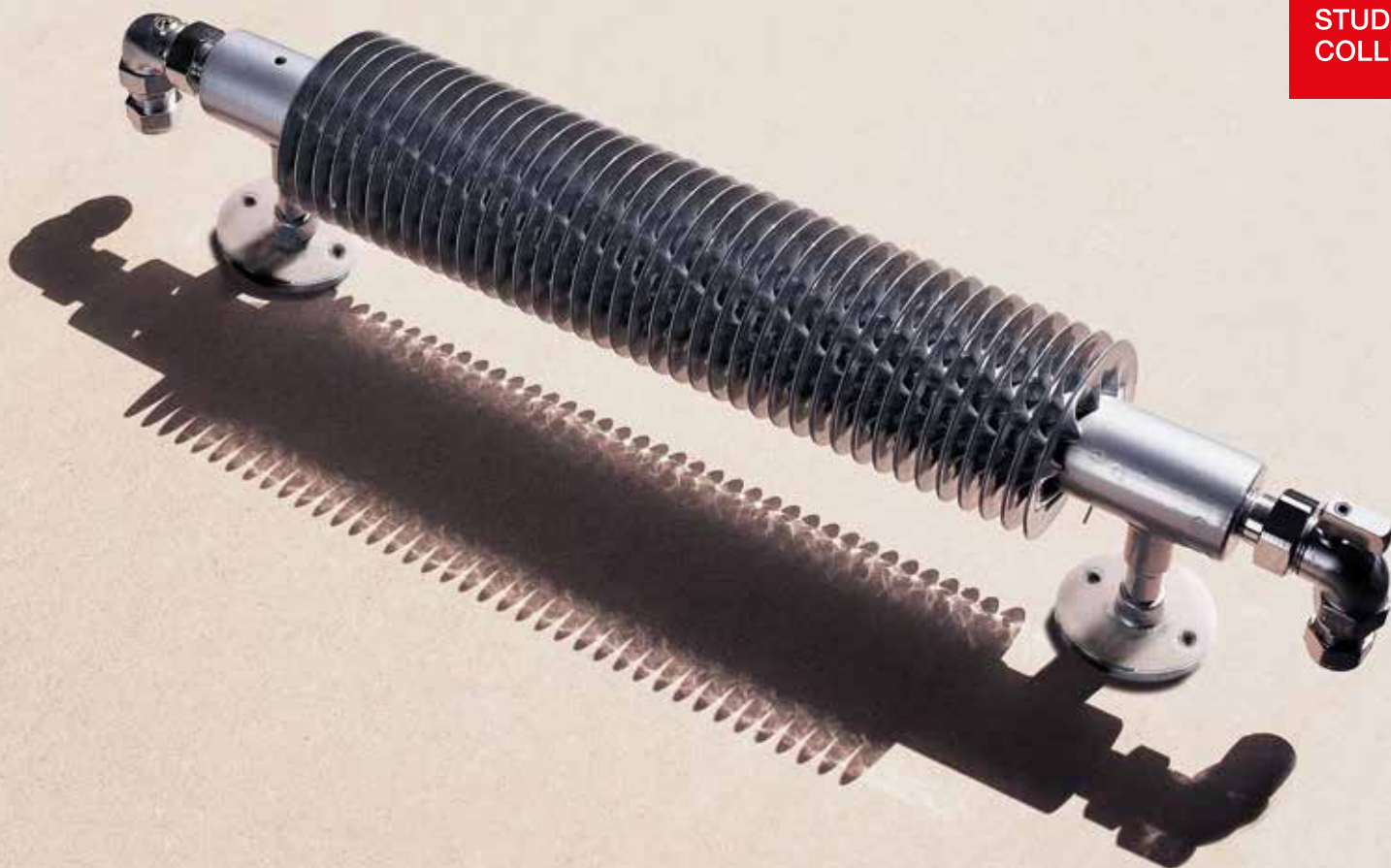
white (RAL 9016):	£749	£898.80
colours:	£936	£1,123.20
chrome:	£1,311	£1,573.20
stainless steel brushed:	£622	£746.40



For pipes from wall we recommend valve set 28 see page 181.

It's all in the detail...

- prices inclusive of VAT are shown in pink
- prices highlighted with a tint box indicate stock items / colours chrome & stainless steel brushed: please allow 5 - 6 weeks
- this radiator may only be installed horizontally on the floor



FFZ-190-100/AF : white & colours
FFZC-190-100/AF : chrome

height: 190 mm
length: 1000 mm
diameter: 133 mm

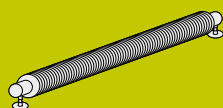
output: 500 watts

output chrome: 400 watts



+ VAT

white (RAL 9016):	£613	£735.60
colours:	£766	£919.20
chrome:	£998	£1,197.60



FFZ-190-150/AF : white & colours
FFZC-190-150/AF : chrome

height: 190 mm
length: 1500 mm
diameter: 133 mm

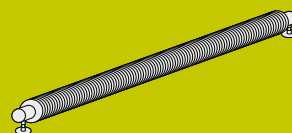
output: 600 watts

output chrome: 500 watts



+ VAT

white (RAL 9016):	£751	£901.20
colours:	£939	£1,126.80
chrome:	£1,224	£1,468.80



FFZ-190-200/AF : white & colours
FFZC-190-200/AF : chrome

height: 190 mm
length: 2000 mm
diameter: 133 mm

output: 1000 watts


output chrome: 750 watts



+ VAT

white (RAL 9016):	£889	£1,066.80
colours:	£1,111	£1,333.20
chrome:	£1,451	£1,741.20

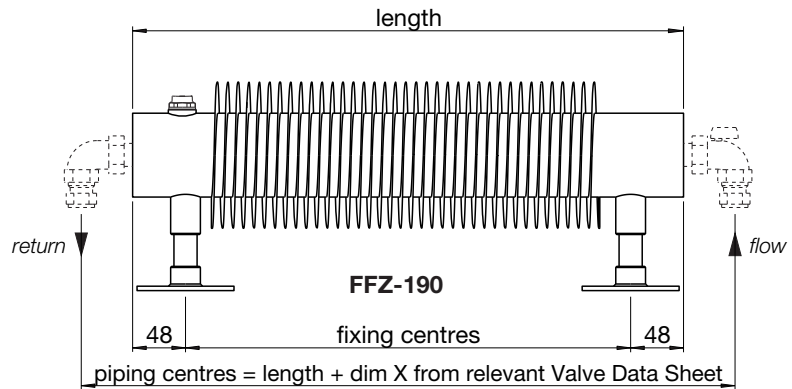
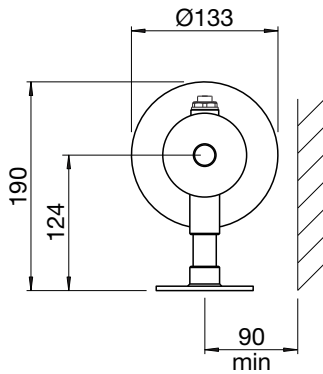
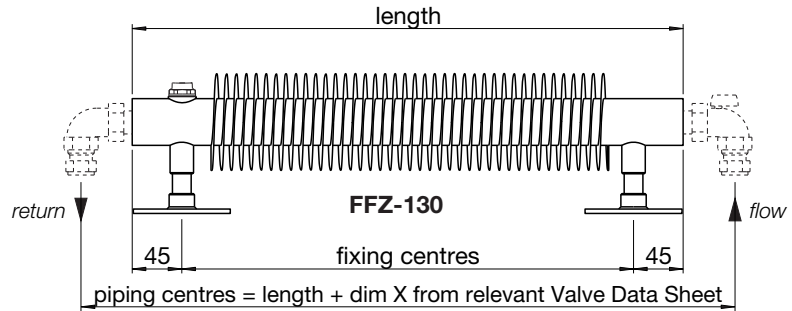
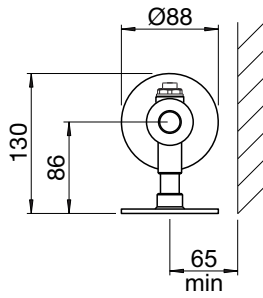
formerly the
BISQUE FLOW FORM

The complete  compliant technical specifications can be viewed by scanning here.



Zehnder Flow Form

always the best climate **zehnder**

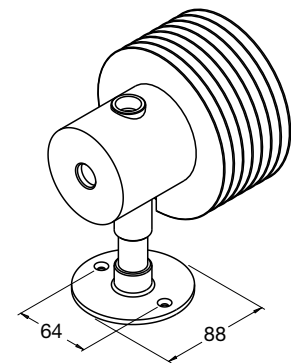


All dimensions shown are in millimetres

- Test pressure: **16.9 BAR**
- Max working pressure: **10 BAR**
- Max working temperature: **95° C**
- All steel construction
- Connections: **½ inch BSP opposite end tapings**

This radiator may only be installed horizontally on floor

Heat output determined in accordance with EN 442
Test Laboratory: 1428WSP



Mounting Foot Detail

Model	Height ± 2mm	Width ± 2mm	Finish	Output ΔT=50K		Output ΔT=30K		n	Weight kg	Water Content litres
				Watts	Btu	Watts	Btu			
FFZ-130-100	130	1000	paint	246	839	132	450	1.22	5.6	1.2
FFZ-130-150	130	1500	paint	361	1232	192	655	1.23	8.3	1.7
FFZ-130-200	130	2000	paint	498	1699	263	897	1.25	11.3	2.2
FFZI-130-100	130	1000	st stl brushed	163	556	87	297	1.23	5.6	1.2
FFZI-130-150	130	1500	st stl brushed	240	819	129	440	1.22	8.3	1.7
FFZI-130-200	130	2000	st stl brushed	316	1078	170	580	1.21	11.3	2.2
FFZ-190-100	190	1000	paint	370	1262	198	676	1.22	10.3	3.7
FFZ-190-150	190	1500	paint	565	1928	299	1020	1.24	15.5	5.6
FFZ-190-200	190	2000	paint	797	2719	423	1443	1.24	20.7	7.5
FFZC-190-100	190	1000	chrome	346	1181	183	624	1.25	10.3	3.7
FFZC-190-150	190	1500	chrome	513	1750	270	921	1.26	15.5	5.6
FFZC-190-200	190	2000	chrome	706	2443	371	1266	1.26	20.7	7.5
FFZI-190-100	190	1000	st stl brushed	222	757	118	403	1.24	10.3	3.7
FFZI-190-150	190	1500	st stl brushed	340	1160	182	621	1.22	15.5	5.6
FFZI-190-200	190	2000	st stl brushed	464	1583	250	853	1.21	20.7	7.5

Issue 1.0



Zehnder Group UK Ltd

Concept House
Watchmoor Point
Camberley
Surrey GU15 3AD

Tel: 01276 605800
Fax: 01276 24058
retailsales@zehnder.co.uk
www.zehnder.co.uk

Registered in England: 2296696

Zehnder Flow Form

always the
best climate

zehnder

Tools & Material Required

Screws - 4mm diameter x 60mm length
Suitable valves
PTFE tape
Silicone thread sealant
Tape measure
Allen key - 13mm & 12mm (when installing Zehnder valves)
Spanner - 17mm
Screwdriver
Electric drill
Masonry drill bit

Key	Component	Qty
A	Air Vent - 1/2"	1
B	Screw, 4mm dia x 60mm*	6
C	Air Vent Key	1

* Screws not supplied

Assembly Instructions

Sufficient PTFE tape must be applied to valve-tail threads prior to their installation.
Silicone thread sealant should be applied to all threaded components manufactured with 'O-rings'.

Fit valve tails, using correct size Allen key.

Fit air vent (A).

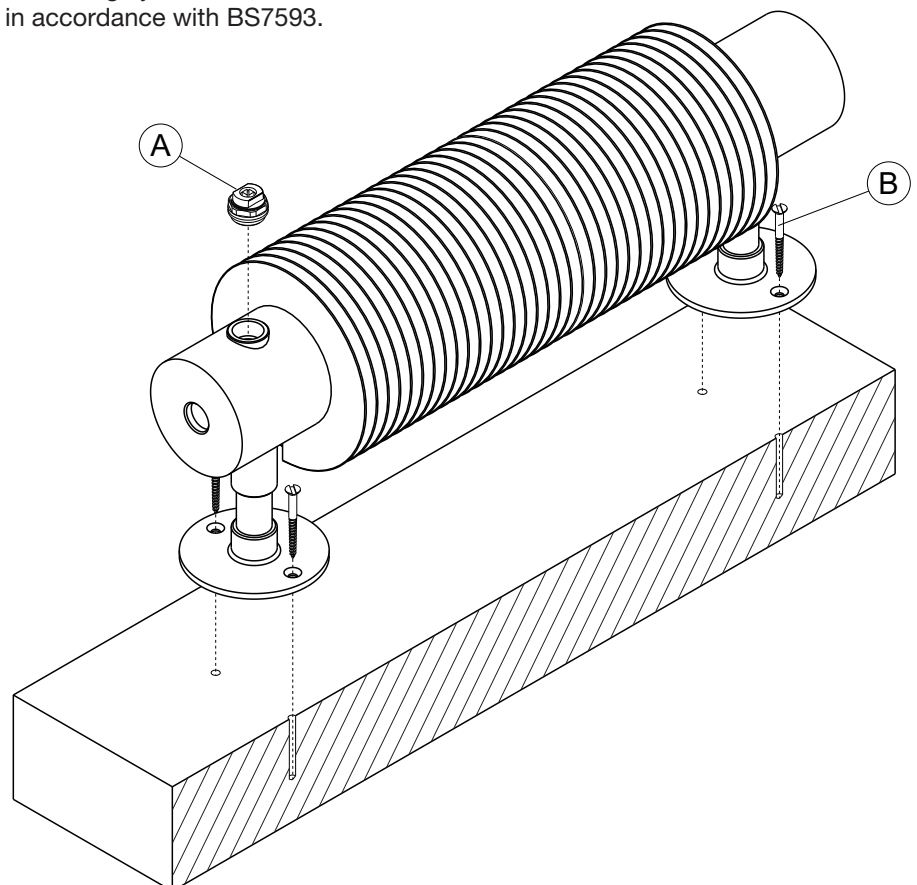
Accurately mark out holes for mounting feet on floor to dimensions as shown on Technical Data Sheet.

Drill four holes to suit screws (B).

Fix radiator to floor with screws (B).

Plumb radiator to heating circuit with flow opposite air vent.

This radiator should be installed onto a central heating system that has been cleaned/flushed and contains water treatment and inhibitors in accordance with BS7593.



Issue 1.0

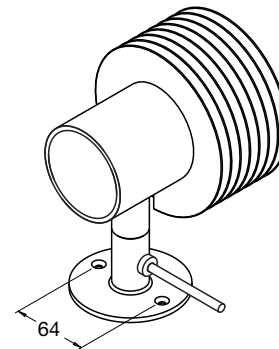
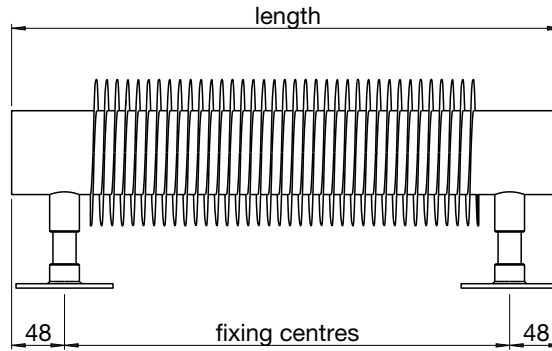
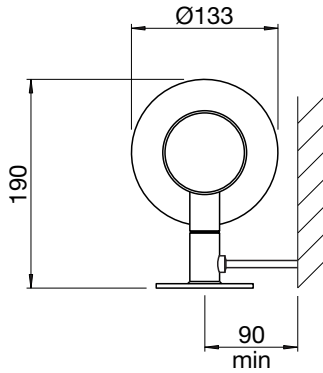


Zehnder Group UK Ltd

Concept House
Watchmoor Point
Camberley
Surrey GU15 3AD

Tel: 01276 605800
Fax: 01276 24058
retailsales@zehnder.co.uk
www.zehnder.co.uk

Registered in England: 2296696



Mounting Foot Detail

All dimensions shown are in millimetres

All steel construction:

Connections: **1.2m long flying lead (class II)**

Immersion heater rating: **IPX4 or better**

This radiator may only be installed horizontally on floor

Model	Height ± 2mm	Width ± 2mm	Finish	Output Watts	Weight kg
FFZ-190-100/AF	190	1000	painted	500	13.5
FFZ-190-150/AF	190	1500	painted	600	20.4
FFZ-190-200/AF	190	2000	painted	1000	27.3
FFZC-190-100/AF	190	1000	chrome	400	13.5
FFZC-190-150/AF	190	1500	chrome	500	20.4
FFZC-190-200/AF	190	2000	chrome	750	27.3

Issue 1.0



Tools & Material Required

Screws - 4mm diameter x 60mm length
Tape measure
Screwdriver
Electric drill
Masonry drill bit

Key	Component	Qty
A	Screw, 4mm dia x 60mm*	4

* Screws not supplied

Assembly Instructions

Accurately mark out holes for mounting feet on floor to dimensions as shown on Technical Data Sheet.

Drill four holes to suit screws (A).

Fix radiator to floor with screws (A).

Electric radiators should be fitted only by a qualified electrician and must be earthed and connected to a cable outlet in the bathroom in accordance with I.E.E. wiring regulations. The electrical connection should be made to a '5 amp fused fixed spur' located outside the bathroom.

Note: for maintenance purposes, cable outlets must remain accessible and cables must not be buried directly into walls.

