

Zehnder Fare Tech



Stocked Items

In stock items highlighted in black	Height mm	Width mm	Finish	No. of sections	With factory fitted controls, IPX4 Zone 1 Bath, Zone 2 Shower, Class II Electric Rating (Watts)	Weight kg	RRP (ex VAT)	RRP (inc 20% VAT)
Zehnder Fare Tech Electric								
TADE-057-041/CF	575	429	white*	4	500	9	£514	£616.80
TADE-057-049/CF	575	509	white*	5	750	11	£553	£663.60
TADE-057-065/CF	575	669	white*	7	1000	14	£630	£756.00
TADE-057-081/CF	575	829	white*	9	1250	17	£707	£848.40
TADE-057-089/CF	575	909	white*	10	1500	18	£746	£895.20
TADE-057-129/CF	575	1309	white*	15	2000	26	£939	£1,126.80

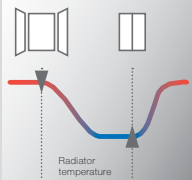
Projection from wall to front of radiator: 148mm max.

*White (RAL 9010)

Temperature controller: Backlit LCD digital display screen gives complete control. Temperature can be adjusted in 0.5°C increments. 3 pre-set programmes and 5 mode settings. Open window detection system and parental lock. 7 day programmable function.

Colour finish: Standard colours from the Zehnder colour chart including matt white finish which are priced at: white RAL 9010 + 25%. Colour finish and non-stock products delivery: 3–5 weeks.

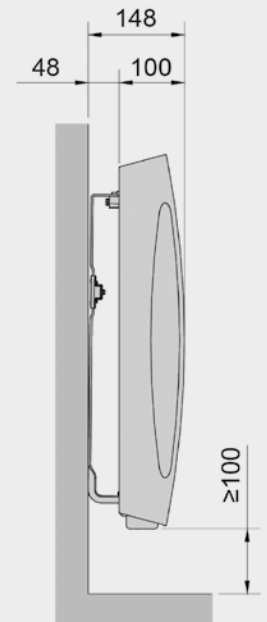
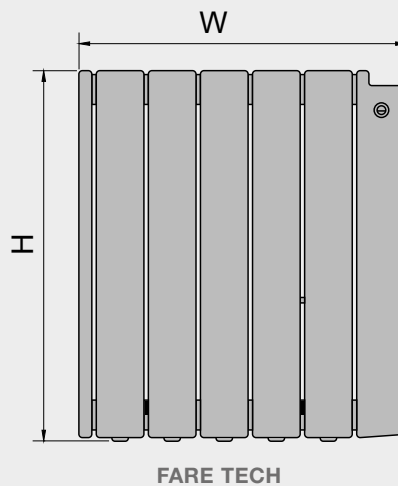
Accessories			
Model		RRP (ex VAT)	RRP (inc 20% VAT)
887220	Zehnder Connect hub for Fare Tech radiator. White (RAL 9016)	£256	£307.20



Open Window detection

The Integral control unit recognises if a window has been opened for an extended period and switches the radiator off. Once the window is closed, the radiator returns to normal operation.

- Temperature changes are quickly recognised via the external temperature sensor.
- The integral thermostat proactively reacts to sensor information; delivering the perfect indoor climate.
- Intuitive radiator which automatically switches off if a window is open for an extended period.
- An intelligent heating solution which lowers costs and energy consumption.



H = height
W = width
All dimensions in mm



The Zehnder Fare Tech can now be controlled via the Zehnder Connect App. Scan the QR code on the following page to find out more.

The **Fare Tech** electric radiator combines beauty and brains. Manufactured from aluminium, its unique, elegantly curved shape allows comfortable radiant heat to disperse optimally throughout the room, whilst its smart integrated control panel allows the room temperature to be easily set and energy consumption controlled.

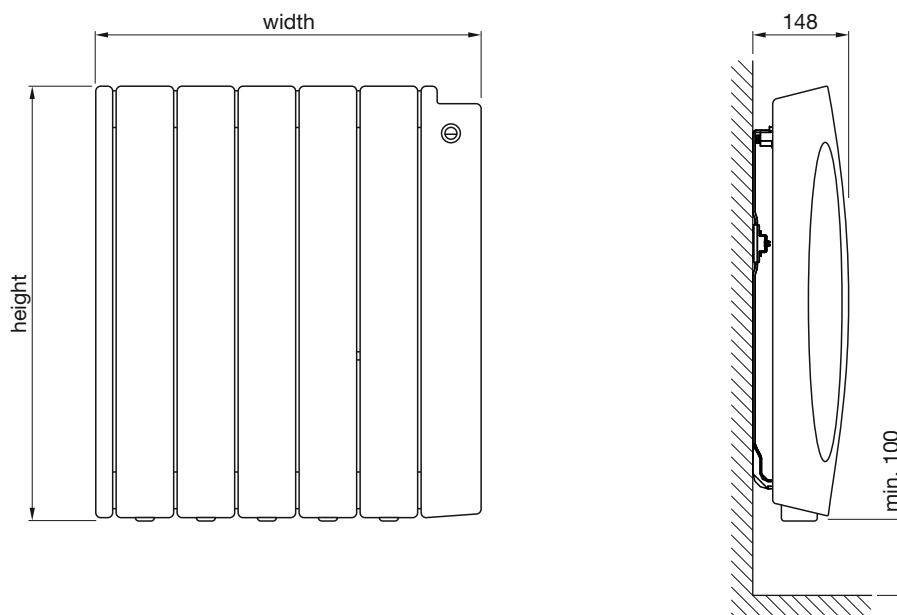


Temperature Controller. For more information please scan the QR code on the right.



The complete CE compliant technical specifications can be viewed by scanning here.





All dimensions shown are in millimetres

Construction: **aluminium extrusion**
Connections: **1.2m long flying lead (2 core)**

Model	Height ± 2mm	Width ± 2mm	Finish	No. of Sections	Output Watts	Weight kg
TAD-057-041/CF	575	429	painted	4	500	9.2
TAD-057-049/CF	575	509	painted	5	750	11.2
TAD-057-065/CF	575	669	painted	7	1000	14.2
TAD-057-081/CF	575	829	painted	9	1250	17.2
TAD-057-089/CF	575	909	painted	10	1500	18.2
TAD-057-129/CF	575	1309	painted	15	2000	26.2

Issue 1.0



Tools & Material Required

Screwdriver
Electric drill
Masonry drill bit

Key	Component	Qty
A	Horizontal Levelling Piece	1
B	Bracket	2
C	Spirit Level	1
D	Wall Plug	4
E	Fixing Lug	2
F	Screw, 6mm dia x 50mm	4

Assembly Instructions

Attach horizontal levelling piece (A) to two brackets (B).

Accurately mark out bracket holes on wall using spirit level (C), to dimensions as shown on Technical Data Sheet.

Drill four holes to a minimum depth of 65mm & insert wall plugs (D).

Fix brackets (B) to wall with screws (F) then remove horizontal levelling piece (A) and spirit level (C).

Attach fixing lug (E) to rear of radiator.

Hang bottom of radiator onto bottom of bracket (B) then push top of radiator back until lug (E) locates in top of bracket (B). Tighten screw in lug (E) to secure radiator in place.

Electric radiators should be fitted only by a qualified electrician and must be earthed and connected to a cable outlet in the bathroom in accordance with I.E.E. wiring regulations. The electrical connection should be made to a '5 amp fused fixed spur' located outside the bathroom.

Note: for maintenance purposes, cable outlets must remain accessible and cables must not be buried directly into walls.

