

# Zehnder Charleston



Stocked Items

In stock items highlighted in black	Height mm	Width mm	Overall Projection	No. of sections	Finish	Output $\Delta T=50^{\circ}\text{C}$ Watts/btu All outputs certified to EN 442	RRP (ex VAT)	RRP (inc 20% VAT)
<b>Zehnder Charleston Horizontal - 2 column</b>								
2050-10	492	486	90	10	white*	384/1310	£226	£271.20
2050-14	492	670	90	14	white*	538/1836	£316	£379.20
2050-18	492	854	90	18	white*	691/2358	£407	£488.40
2050-22	492	1038	90	22	white*	845/2883	£497	£596.40
2050-26	492	1222	90	26	white*	998/3405	£588	£705.60
2060-10	592	486	90	10	white*	453/1546	£234	£280.80
2060-14	592	670	90	14	white*	634/2163	£327	£392.40
2060-18	592	854	90	18	white*	815/2781	£420	£504.00
2060-22	592	1038	90	22	white*	997/3402	£514	£616.80
2060-24	592	1130	90	24	white*	1080/3685	£560	£672.00
2060-28	592	1314	90	28	white*	1260/4299	£654	£784.80
<b>Zehnder Charleston Horizontal - 3 column</b>								
3050-14	500	670	128	14	white*	722/2463	£375	£450.00
3050-18	500	854	128	18	white*	929/3170	£482	£578.40
3050-22	500	1038	128	22	white*	1135/3873	£590	£708.00
3050-26	500	1222	128	26	white*	1342/4579	£697	£836.40
3050-30	500	1406	128	30	white*	1548/5282	£804	£964.80
3060-10	600	486	128	10	white*	609/2078	£283	£339.60
3060-14	600	670	128	14	white*	853/2910	£396	£475.20
3060-18	600	854	128	18	white*	1096/3740	£509	£610.80
3060-20	600	946	128	20	white*	1220/4163	£566	£679.20
3060-24	600	1130	128	24	white*	1464/4995	£679	£814.80
3060-27	600	1268	128	27	white*	1645/5613	£764	£916.80
3060-30	600	1406	128	30	white*	1827/6234	£849	£1,018.80
3060-34	600	1590	128	34	white*	2071/7066	£962	£1,154.40
3075-14	750	670	128	14	white*	1040/3548	£445	£534.00
3075-22	750	1038	128	22	white*	1635/5579	£699	£838.80
3075-26	750	1222	128	26	white*	1932/6592	£826	£991.20
3060-10-0346	600	486	128	10	anthracite	609/2078	£354	£424.80
3060-14-0346	600	670	128	14	anthracite	853/2910	£495	£594.00
3060-18-0346	600	854	128	18	anthracite	1096/3740	£636	£763.20
3060-20-0346	600	946	128	20	anthracite	1220/4163	£708	£849.60
3060-24-0346	600	1130	128	24	anthracite	1464/4995	£849	£1,018.80
<b>Zehnder Charleston Horizontal - 4 column</b>								
4030-20	300	946	164	20	white*	840/2866	£569	£682.80
4030-30	300	1406	164	30	white*	1260/4299	£854	£1,024.80
4060-14	600	670	164	14	white*	1117/3811	£417	£500.40
4060-18	600	854	164	18	white*	1436/4900	£536	£643.20
4060-20	600	946	164	20	white*	1596/5446	£596	£715.20
4060-24	600	1130	164	24	white*	1920/6551	£715	£858.00
4075-14	750	670	164	14	white*	1364/4654	£503	£603.60
4075-18	750	854	164	18	white*	1753/5981	£647	£776.40
4075-22	750	1038	164	22	white*	2143/7312	£791	£949.20
4075-26	750	1222	164	26	white*	2532/8639	£935	£1,122.00

Model code breakdown: eg. 3060-20 = 3 (number of columns), 060 (600mm high), 20 (number of sections).

\*White (RAL 9016)

**Colour finish:** Standard colours from the Zehnder colour chart including matt white finish are priced at: RAL 9016 + 25%.

Colour finish and non-stock products delivery: 3-5 weeks.

Expect manufacturers marks on Charleston Technoline finishes. See page 134 for more information.

The **Charleston** multi-column is equally at home in modern and traditional environments and is available in a wide range of stocked horizontal and vertical sizes. It can also be Made to Measure, angled or curved.



0422 Black-silver hammered finish (gloss).



0421 Copper-black hammered finish (gloss).



Technoline 0325. For more information see page 190.



Scan the QR code to watch the Zehnder LaZer welding made process.



2050-18 TRAFFIC WHITE 9016

For further technical drawings please see page 88.  
Please note: the flow and return of this radiator can be reversed by turning the whole radiator around.

Don't forget to use your Charleston radiator packaging to protect your new radiator whilst decorating – see the cardboard outer for details.

\*1/2" air vent  
Width excludes air vent  
F = flow  
R = return  
H = height  
W = width  
Tube: Vertical Ø25mm  
All dimensions in mm  
Manufacturing tolerance of +/-0.6mm per section

The complete CE compliant technical specifications can be viewed by scanning here.

# Zehnder Charleston



Stocked Items

In stock items highlighted in black	Height mm	Width mm	Overall Projection	No. of sections	Finish	Output ΔT=50°C Watts/btu All outputs certified to EN 442	RRP (ex VAT)	RRP (inc 20% VAT)
<b>Zehnder Charleston Vertical - 2 column</b>								
2180-6	1792	302	90	6	white*	744/2539	£334	£400.80
2180-8	1792	394	90	8	white*	992/3385	£446	£535.20
2180-10	1792	486	90	10	white*	1240/4231	£557	£668.40
2180-12	1792	578	90	12	white*	1488/5077	£668	£801.60
2180-8-0325	1792	394	90	8	technoline	992/3385	£558	£669.60
2180-10-0325	1792	486	90	10	technoline	1240/4231	£696	£835.20
2180-12-0325	1792	578	90	12	technoline	1488/5077	£835	£1,002.00
2180-6-0346	1792	302	90	6	anthracite	744/2539	£418	£501.60
2180-8-0346	1792	394	90	8	anthracite	992/3385	£558	£669.60
2180-10-0346	1792	486	90	10	anthracite	1240/4231	£696	£835.20
2180-12-0346	1792	578	90	12	anthracite	1488/5077	£835	£1,002.00

<b>Zehnder Charleston Vertical - 3 column</b>								
3180-6	1800	302	128	6	white*	996/3398	£458	£549.60
3180-8	1800	394	128	8	white*	1328/4531	£611	£733.20
3180-10	1800	486	128	10	white*	1660/5664	£764	£916.80
3180-6-0346	1800	302	128	6	anthracite	996/3398	£573	£687.60
3180-8-0346	1800	394	128	8	anthracite	1328/4531	£764	£916.80
3180-10-0346	1800	486	128	10	anthracite	1660/5664	£955	£1,146.00

Model code breakdown: eg. 3180-6 = 3 (number of columns), 180 (1800mm high), 6 (number of sections).

\*White (RAL 9016)

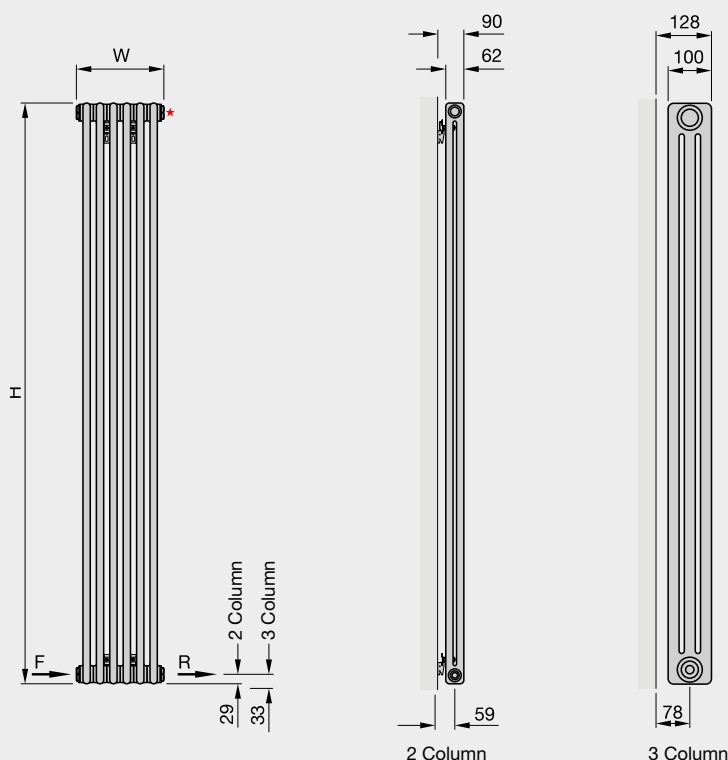
**Colour finish:** Standard colours from the Zehnder colour chart including matt white finish are priced at: RAL 9016 + 25%.  
Colour finish and non-stock products delivery: 3-5 weeks.

Accessories		RRP (ex VAT)	RRP (inc 20% VAT)
Model			
966018	Charleston chrome towel bar 366mm	£145	£174.00
966028	Charleston chrome towel bar 918mm	£167	£200.40
The Charleston chrome towel bar (above) can be cut down to fit if required			
CTR-28	Chrome towel rail. Spans across 6 elements	£165	£198.00
CTR-37	Chrome towel rail. Spans across 8 elements	£167	£200.40
CTR-46	Chrome towel rail. Spans across 10 elements	£169	£202.80
CTR-55	Chrome towel rail. Spans across 12 elements	£171	£205.20
CTR-64	Chrome towel rail. Spans across 14 elements	£173	£207.60

Chrome towel rail contains full length rail and two brackets

\*\*1/2" air vent  
Width excludes air vent  
F = flow  
R = return  
H = height  
W = width  
Tube: Vertical Ø 25mm  
All dimensions in mm  
Manufacturing tolerance of +/-0.6mm per section

For further technical drawings please see next page



The **Charleston** is one of our most versatile radiators. The vertical sizes are perfect for any living space areas including stairs, alcoves and by french windows.



Chrome Towel Bar 966018



CTR Chrome Towel Rail



Zehnder recommends **VALVE-SET-11-CR**. For more information see page 182.



Please note, this radiator has underside valve connections. A further charge is added for this connection



The complete CE compliant technical specifications can be viewed by scanning here.



# Zehnder Charleston Made to Measure



Stocked Items

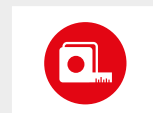
Nominal height mm	Model code	Output 50ΔT Watts/BTU	RRP white (ex VAT)	RRP colour (ex VAT)
<b>2 column</b>				
260	2026	21/72	£22.30	£27.88
292	2030	24/81	£22.35	£27.94
342	2035	28/94	£22.40	£28.00
392	2040	31/106	£22.45	£28.06
442	2045	35/119	£22.50	£28.13
492	2050	38/131	£22.60	£28.25
542	2055	42/143	£23.00	£28.75
592	2060	45/155	£23.35	£29.19
742	2075	55/188	£27.05	£33.81
892	2090	64/218	£32.30	£40.38
992	2100	70/239	£36.20	£45.25
1192	2120	83/282	£43.95	£54.94
1492	2150	104/355	£51.70	£64.63
1792	2180	124/423	£55.70	£69.63
1992	2200	138/471	£63.30	£79.13

Model code	Output 50ΔT Watts/BTU	RRP white (ex VAT)	RRP colour (ex VAT)
<b>3 column</b>			
3026	28/95	£26.45	£33.06
3030	32/109	£26.50	£33.13
3035	37/126	£26.60	£33.25
3040	42/143	£26.65	£33.31
3045	47/160	£26.75	£33.44
3050	52/176	£26.80	£33.50
3055	56/192	£27.65	£34.56
3060	61/208	£28.30	£35.38
3075	74/254	£31.75	£39.69
3090	87/297	£37.45	£46.81
3100	95/324	£42.65	£53.31
3120	115/392	£54.25	£67.81
3150	140/478	£67.20	£84.00
3180	166/566	£76.35	£95.44
3200	183/624	£87.85	£109.81

Model code	Output 50ΔT Watts/BTU	RRP white (ex VAT)	RRP colour (ex VAT)
<b>4 column</b>			
4026	37/125	£28.40	£35.50
4030	42/143	£28.45	£35.56
4035	49/165	£29.10	£36.38
4040	55/187	£29.50	£36.88
4045	61/209	£29.55	£36.94
4050	68/232	£29.65	£37.06
4055	74/251	£29.75	£37.19
4060	80/272	£29.80	£37.25
4075	97/332	£35.95	£44.94
4090	114/389	£43.95	£54.94
4100	125/427	£49.10	£61.38
4120	147/502	£68.50	£85.63
4150	180/614	£86.55	£108.19
4180	213/727	£98.20	£122.75
4200	234/798	£111.10	£138.88

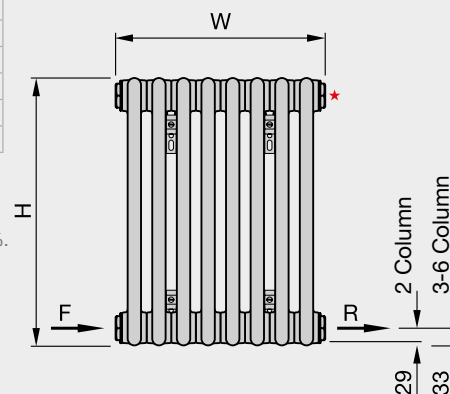
Nominal height mm	Model code	Output 50ΔT Watts/BTU	RRP white (ex VAT)	RRP colour (ex VAT)
<b>5 column</b>				
260	5026	45/154	£37.00	£46.25
300	5030	52/177	£38.75	£48.44
350	5035	60/204	£39.40	£49.25
400	5040	68/232	£40.05	£50.06
450	5045	76/259	£41.35	£51.69
500	5050	84/285	£42.65	£53.31
550	5055	91/310	£43.95	£54.94
600	5060	99/336	£45.20	£56.50
750	5075	120/409	£50.40	£63.00
900	5090	141/481	£55.55	£69.44
1000	5100	154/525	£63.30	£79.13
1200	5120	179/611	£80.10	£100.13
1500	5150	219/747	£105.95	£132.44
1800	5180	259/884	£120.65	£150.81
2000	5200	285/972	£135.90	£169.88

Model code	Output 50ΔT Watts/BTU	RRP white (ex VAT)	RRP colour (ex VAT)
<b>6 column</b>			
6026	54/183	£46.25	£57.81
6030	61/209	£48.60	£60.75
6035	71/242	£50.40	£63.00
6040	81/275	£51.70	£64.63
6045	90/306	£54.20	£67.75
6050	99/338	£56.85	£71.06
6055	108/369	£59.45	£74.31
6060	117/399	£62.00	£77.50
6075	143/488	£64.60	£80.75
6090	167/570	£69.75	£87.19
6100	183/624	£80.10	£100.13
6120	210/717	£98.20	£122.75
6150	256/873	£124.05	£155.06
6180	303/1034	£145.10	£181.38
6200	334/1140	£165.00	£206.25



Made to Measure

\*1/2" air vent  
Width excludes air vent  
F = flow  
R = return  
H = height  
W = width  
Tube: Vertical Ø 25mm  
All dimensions in mm



Output and pricing given per section.

**Colour finish:** Standard colours from the Zehnder colour chart including matt white finish are priced at RAL9016 + 25%. Colour finish and non-stock products delivery: 3-5 weeks.

There are other sizes available on request. Angled and curved radiators are also available.

All prices exclude VAT.

### Technical Information

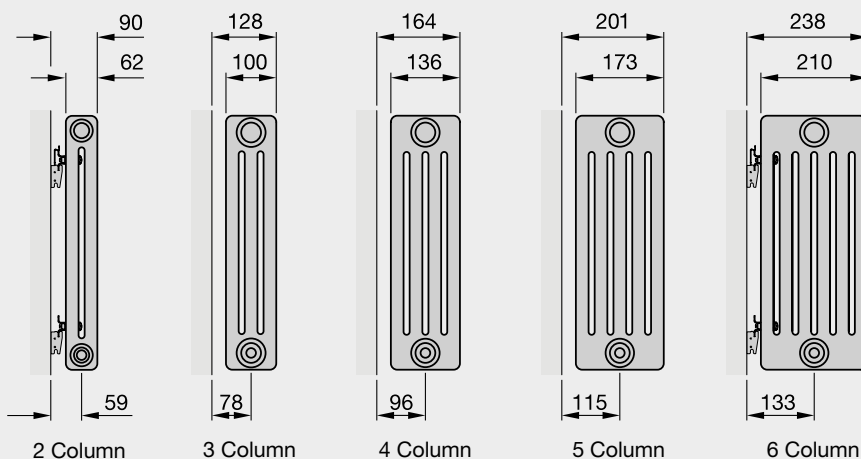
**Please note:** We only supply complete radiators. Additional sections cannot be joined to our stock range of radiators. The number of sections/length is virtually unlimited. Practicality regarding weights, handling and accessibility should be taken into consideration. Large radiators may be supplied in modules to be assembled on site. Lead times – Please allow 6-8 weeks for curved, angled and engineered to drawing.

Prices are for radiators with standard bottom opposite end connections. For underside connections add £15 per radiator.

Angled and curved radiators are also available.

Angled radiators: Prices on application. Please contact your Zehnder stockist or a member of our sales team for further details.

Curved radiators: Please multiply the prices for standard radiators by 2.



The **Zehnder Charleston** multi-column can be Made to Measure, with bespoke angles and curves.



**Charleston curved on welded feet**  
Deliveries vary for curved or angled radiators. Please allow at least 8 weeks for delivery. They are also priced on application.



**Zehnder recommends VALVE-SET-37.**  
For more information see page 182.



**TRAFFIC WHITE 9016 (Made to Measure) 2 column angled**

<b>Optional Foot Supports</b>				
Model	No of feet	RRP white (ex VAT)	RRP colour (ex VAT)	
<b>Welded-on fixed - 150mm (WF150) or adjustable fixed - 120-170mm (WF120) feet with cover plate Price per radiator</b>				
	8 - 20 sections	2	£86.00	£107.50
	21 - 40 sections	3	£129.00	£161.25
	41 - 60 sections	4	£172.00	£215.00
<b>Welded-on traditional - 75mm (WF75), 100mm (WF100) or 150mm (WTF150) feet Price per radiator</b>				
	2 - 20 sections	2 pairs	£118.00	£147.50
	21 - 40 sections	3 pairs	£177.00	£221.25
	41 - 60 sections	4 pairs	£236.00	£295.00
<b>Adjustable foot (100-150mm) Price per foot</b>				
	<b>976131 white</b>	1	<b>£42.00</b>	
	<b>976139 colour</b>	1		£52.50
Must always be used with wall brackets				
<b>Cast iron foot (100mm high) Price per foot</b>				
	<b>ZPGG-9016 White</b>	1	<b>£30.00</b>	
<b>EasyFix brackets</b>				
	<b>SMB-2PC</b>		<b>£44.00</b>	£55.00
	<b>SMB-3PC</b>		<b>£66.00</b>	£82.50
	<b>SMB-4PC</b>		<b>£88.00</b>	£110.00
	<b>SMB-5PC</b>		<b>£110.00</b>	£137.50

Prices for EasyFix Brackets are given as a guide – please contact us to determine which brackets you require depending on the size of your radiator.  
Note: The amount of pieces required depends on the radiator height and width.

The complete CE compliant technical specifications can be viewed by scanning here.



# Zehnder Charleston with welded-on-feet

Formerly the Bisque Classic

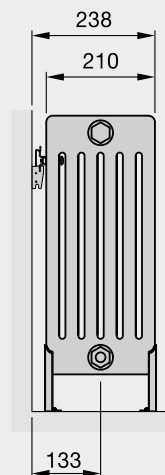
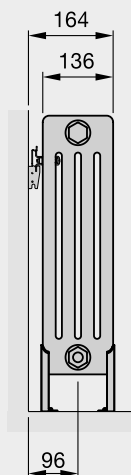
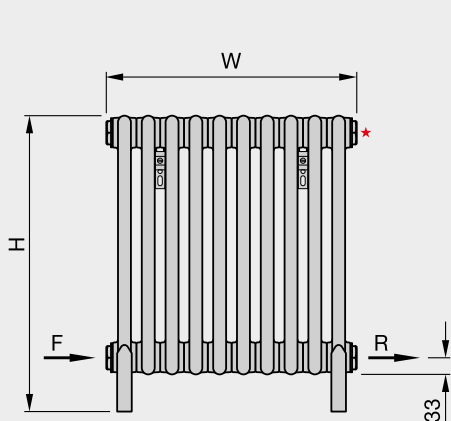


Stocked Items

In stock items highlighted in black	Height mm	Width mm	Overall projection	No. of sections	Feet height mm	Finish	Output $\Delta T=50^{\circ}\text{C}$ Watts/btu All outputs certified to EN 442	RRP (ex VAT)	RRP (inc 20% VAT)
<b>Zehnder Charleston Horizontal - 4 column with 75mm welded-on feet</b>									
4040-14-F	475	670	164	14	75	white*	769/2624	£531	£637.20
4040-18-F	475	854	164	18	75	white*	989/3374	£649	£778.80
4040-22-F	475	1038	164	22	75	white*	1209/4125	£826	£991.20
4040-26-F	475	1222	164	26	75	white*	1429/4876	£944	£1,132.80
4050-10-F	575	486	164	10	75	white*	676/2307	£415	£498.00
4050-14-F	575	670	164	14	75	white*	946/3228	£533	£639.60
4050-18-F	575	854	164	18	75	white*	1217/4152	£652	£782.40
4050-22-F	575	1038	164	22	75	white*	1487/5074	£829	£994.80
4050-26-F	575	1222	164	26	75	white*	1757/5995	£948	£1,137.60
4050-28-F	575	1314	164	28	75	white*	1893/6459	£1,007	£1,208.40
4060-10-F	675	486	164	10	75	white*	798/2723	£416	£499.20
4060-14-F	675	670	164	14	75	white*	1117/3811	£535	£642.00
4060-18-F	675	854	164	18	75	white*	1437/4903	£654	£784.80
4060-22-F	675	1038	164	22	75	white*	1756/5991	£833	£999.60
4060-26-F	675	1222	164	26	75	white*	2075/7080	£952	£1,142.40
4060-28-F	675	1314	164	28	75	white*	2235/7626	£1,011	£1,213.20
4050-10-F-0346	575	486	164	10	75	anthracite	676/2307	£519	£622.80
4050-14-F-0346	575	670	164	14	75	anthracite	946/3228	£666	£799.20
4050-18-F-0346	575	854	164	18	75	anthracite	1217/4152	£815	£978.00
4050-22-F-0346	575	1038	164	22	75	anthracite	1487/5074	£1,036	£1,243.20
4050-26-F-0346	575	1130	164	26	75	anthracite	1757/5995	£1,185	£1,422.00
4050-28-F-0346	575	1314	164	28	75	anthracite	1893/6459	£1,259	£1,510.80
4060-10-F-0346	675	486	164	10	75	anthracite	798/2723	£520	£624.00
4060-14-F-0346	675	670	164	14	75	anthracite	1117/3811	£669	£802.80
4060-18-F-0346	675	854	164	18	75	anthracite	1437/4903	£818	£981.60
4060-22-F-0346	675	1038	164	22	75	anthracite	1756/5991	£1,041	£1,249.20
4060-26-F-0346	675	1222	164	26	75	anthracite	2075/7080	£1,190	£1,428.00
4060-28-F-0346	675	1314	164	28	75	anthracite	2235/7626	£1,264	£1,516.80
<b>Zehnder Charleston Horizontal - 6 column with 75mm welded-on feet</b>									
6040-30-F	475	1406	238	30	75	white*	2415/8240	£1,728	£2,073.60
6040-30-F-0346	475	1406	238	30	75	anthracite	2415/8240	£2,160	£2,592.00

\*White (RAL 9016)

**Colour finish:** Standard colours from the Zehnder colour chart including matt white finish are priced at: RAL 9016 + 25%.  
Colour finish and non-stock products delivery: 3-5 weeks.



\*1/2" air vent  
Width excludes air vent  
F = flow  
R = return  
H = height  
W = width  
Tube: Vertical  $\varnothing$  25mm  
All dimensions in mm  
Manufacturing tolerance of  $\pm 0.6$ mm per section


formerly the  
BISQUE CLASSIC

The **Charleston** multi-column is equally at home in modern and traditional environments and is available in a wide range of stocked horizontal and vertical sizes. It can also be Made to Measure, angled or curved.



Zehnder recommends **VALVE-SET-36**.  
For more information see page 182.



The complete  compliant technical specifications can be viewed by scanning here.



Made to Measure 4030, 20 sections ANTHRACITE 0346



# Zehnder Charleston Bar



Stocked Items

In stock items highlighted in black	Height mm	Width mm	Overall projection	No. of sections	Bar length mm	Finish	Output $\Delta T=50^{\circ}\text{C}$ Watts/btu All outputs certified to EN 442	RRP (ex VAT)	RRP (inc 20% VAT)
<b>Zehnder Charleston Bar</b>									
CPV2075-6	742	302	134	6	412	white*	330/1125	£369	£442.80
CPV2090-10	892	486	134	10	412	white*	639/2179	£548	£657.60
CPV2120-10	1192	486	134	10	412	white*	827/2820	£671	£805.20
CPV2150-10	1492	486	134	10	412	white*	1040/3546	£752	£902.40
CPV2150-12	1492	578	134	12	412	white*	1248/4256	£859	£1,030.80
CPV2150-14	1492	670	134	14	596	white*	1456/4965	£965	£1,158.00
CPV2150-16	1492	762	134	16	596	white*	1664/5674	£1,073	£1,287.60
CPV2180-10	1792	486	134	10	412	white*	1240/4228	£807	£968.40
CPV2180-12	1792	578	134	12	412	white*	1488/5074	£927	£1,112.40
CPV2180-14	1792	670	134	14	596	white*	1736/5920	£1,042	£1,250.40
CPV2180-16	1792	762	134	16	596	white*	1984/6765	£1,162	£1,394.40
CPV3150-10	1500	486	172	10	412	white*	1400/4774	£914	£1,096.80
CPV3150-12	1500	578	172	12	412	white*	1680/5729	£1,053	£1,263.60
CPV3150-14	1500	670	172	14	596	white*	1960/6684	£1,194	£1,432.80
CPV3150-16	1500	762	172	16	596	white*	2240/7638	£1,334	£1,600.80
CPV3180-10	1800	486	172	10	412	white*	1660/3956	£1,026	£1,231.20
CPV3180-12	1800	578	172	12	412	white*	1992/6793	£1,186	£1,423.20
CPV3180-14	1800	670	172	14	596	white*	2324/7925	£1,347	£1,616.40
CPV3180-16	1800	762	172	16	596	white*	2656/9057	£1,509	£1,810.80

1 x Chrome Bar included. See diagrams below for detail.

If you require an additional towel bar please see Accessories section below.

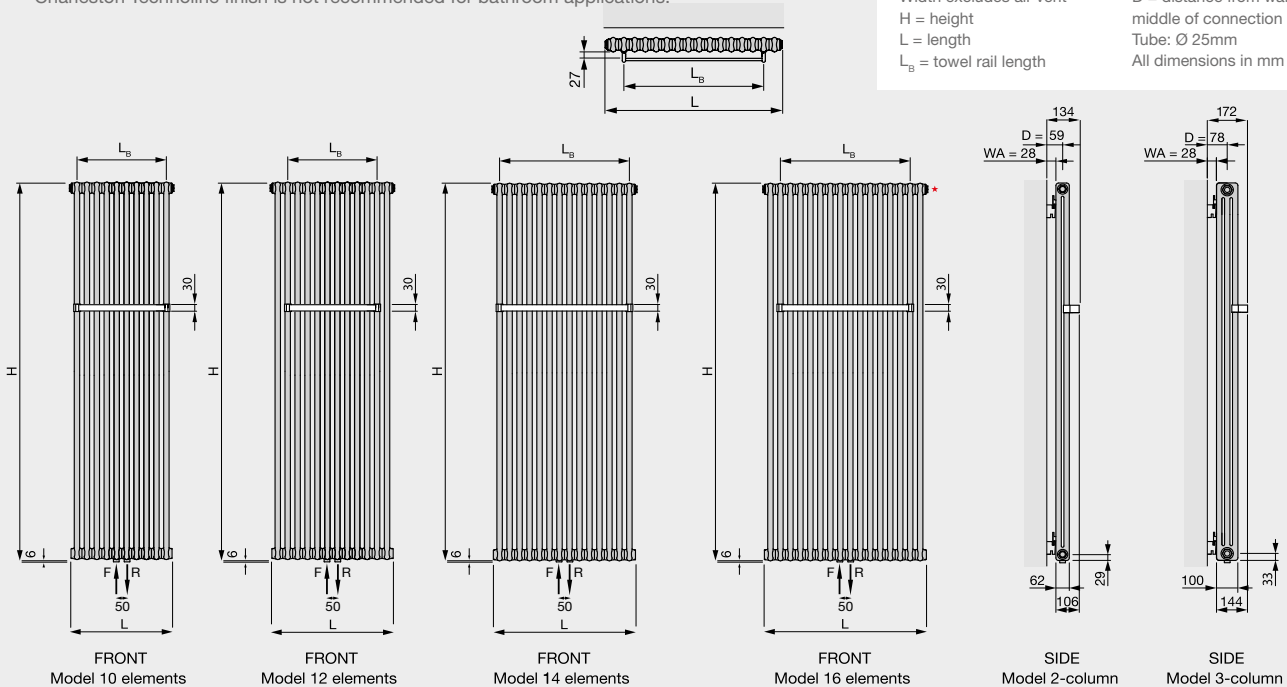
\*White (RAL 9016)

Accessories		RRP (ex VAT)	RRP (inc 20% VAT)
Model			
601020	Lambs wool brush	£32	£38.40
The Charleston chrome towel bar (below) can be cut down to fit if required			
966018	Additional Zehnder Charleston chrome towel bar 366mm. Spans up to 9 sections.	£145	£174.00
966028	Additional Zehnder Charleston chrome towel bar 918mm. Spans up to 21 sections.	£167	£200.40

**Colour finish:** Standard colours from the Zehnder colour chart including matt white finish are priced at: RAL 9016 + 25%. Colour finish and non-stock products delivery: 3-5 weeks. Charleston Technoline finish is not recommended for bathroom applications.

\*1/2" air vent  
Width excludes air vent  
H = height  
L = length  
 $L_b$  = towel rail length

WA = wall clearance  
D = distance from wall to middle of connection  
Tube:  $\varnothing$  25mm  
All dimensions in mm



The popular **Charleston Bar** multi-column with chrome towel bar combines warmth and practicality. Perfect for kitchens and bathrooms.



**Charleston Chrome Towel Bar**  
(included with radiator)




**JET BLACK 9005**



Zehnder recommends **VALVE-SET-11-CR**.  
For more information see page 182.



The complete  compliant technical specifications can be viewed by scanning here.



Zehnder

# Charleston Electric & Plinth

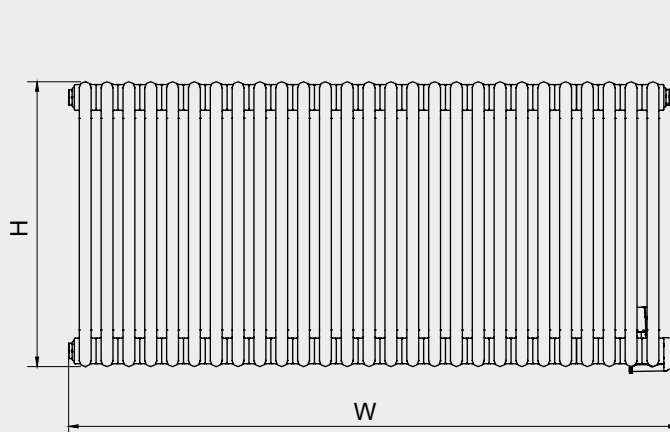


In stock items highlighted in black	Height mm	Width mm	No. of columns	No. of sections	Finish	Radio frequency remote programmer IPX4 Zone 1 Bath, Zone 2 Shower, Class II. Electric rating (Watts)	Weight kg	RRP (ex VAT)	RRP (inc 20% VAT)
<b>Zehnder Charleston Electric</b>									
NZ3-060-050/GF	600	502	3	10	white*	500	27.0	£647	£776.40
NZ3-060-059/GF	600	594	3	12	white*	750	30.0	£754	£904.80
NZ3-060-073/GF	600	732	3	15	white*	1000	41.0	£817	£980.40
NZ3-060-087/GF	600	870	3	18	white*	1250	47.0	£954	£1,144.80
NZ3-060-101/GF	600	1008	3	21	white*	1500	58.0	£1,029	£1,234.80
NZ3-060-128/GF	600	1284	3	27	white*	2000	70.0	£1,238	£1,485.60
<b>Zehnder Charleston Plinth Electric</b>									
NZ5-030-096/GF-F	300	962	5	20	white*	1000	42.4	£1,075	£1,290.00

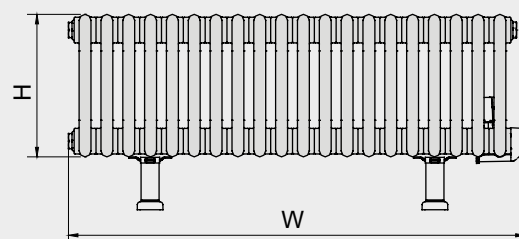
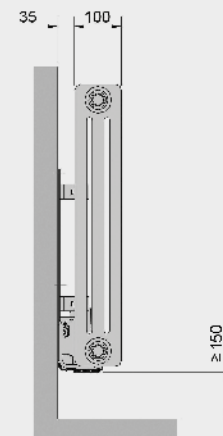
**Colour finish:** Standard colours from the Zehnder colour chart including matt white finish are priced at: RAL 9016 + 25%.  
Colour finish and non-stock products.  
\*White (RAL 9016)

Accessories			
Model		RRP (ex VAT)	RRP (inc 20% VAT)
601020	Lambswool cleaning brush	£32	£38.40
966018	Zehnder Charleston towel bar 366mm	£145	£174.00
966028	Zehnder Charleston towel bar 918mm	£167	£200.40

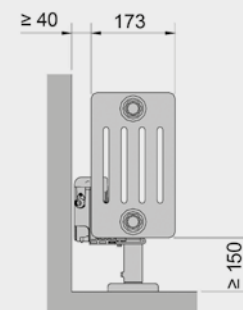
Please note: Towel bars can be cut to size to fit perfectly to the size of your selected radiator



CHARLESTON ELECTRIC



CHARLESTON PLINTH



H = height  
W = width  
Width includes controller  
All dimensions in mm

The **Charleston** is an electric, oil-filled multi-column radiator available in six sizes that would suit a variety of rooms, especially loft conversions.

The complementary **Charleston Plinth** low level model is perfectly suited to conservatories for use in front of low-level windows.



NZ3-060-087/GF TRAFFIC WHITE 9016

The complete CE compliant technical specifications can be viewed by scanning here.



NZ5-030-096/GF-F TRAFFIC WHITE 9016

The complete CE compliant technical specifications can be viewed by scanning here.



Zehnder

# Charleston Electric

with 150mm welded-on-feet



Formerly the Bisque Classic Electric

In stock items highlighted in black	Height mm	Width mm	No. of columns	No. of sections	Finish	Radio frequency remote programmer IPX4 Zone 1 Bath, Zone 2 Shower, Class II. Electric rating (Watts)	Weight kg	RRP (ex VAT)	RRP (inc 20% VAT)
<b>Zehnder Charleston Electric with 150mm welded-on-feet</b>									
NZ3-060-050/GF-F	750	502	3	10	white*	500	27.0	£765	£918.00
NZ3-060-059/GF-F	750	594	3	12	white*	750	30.0	£872	£1,046.40
NZ3-060-073/GF-F	750	732	3	15	white*	1000	41.0	£935	£1,122.00
NZ3-060-087/GF-F	750	870	3	18	white*	1250	47.0	£1,072	£1,286.40
NZ3-060-101/GF-F	750	1008	3	21	white*	1500	58.0	£1,206	£1,447.20
NZ3-060-128/GF-F	750	1284	3	27	white*	2000	70.0	£1,415	£1,698.00
NZ4-040-059/GF-F	550	594	4	12	white*	750	24.0	£904	£1,084.80
NZ4-040-078/GF-F	550	778	4	16	white*	1000	32.0	£1,100	£1,320.00
NZ4-040-096/GF-F	550	962	4	20	white*	1250	40.0	£1,296	£1,555.20
NZ4-040-106/GF-F	550	1058	4	23	white*	1500	46.0	£1,444	£1,732.80
NZ4-050-050/GF-F	650	502	4	10	white*	750	24.0	£796	£955.20
NZ4-050-069/GF-F	650	686	4	14	white*	1000	33.0	£995	£1,194.00
NZ4-050-078/GF-F	650	778	4	16	white*	1250	38.0	£1,093	£1,311.60
NZ4-050-092/GF-F	650	916	4	19	white*	1500	45.0	£1,242	£1,490.40
NZ4-060-046/GF-F	750	456	4	9	white*	750	26.0	£759	£910.80
NZ4-060-059/GF-F	750	594	4	12	white*	1000	34.0	£912	£1,094.40
NZ4-060-078/GF-F	750	778	4	16	white*	1250	45.0	£1,118	£1,341.60
NZ4-060-092/GF-F	750	916	4	19	white*	1500	53.0	£1,273	£1,527.60
NZ4-060-115/GF-F	750	1146	4	24	white*	2000	67.0	£1,528	£1,833.60

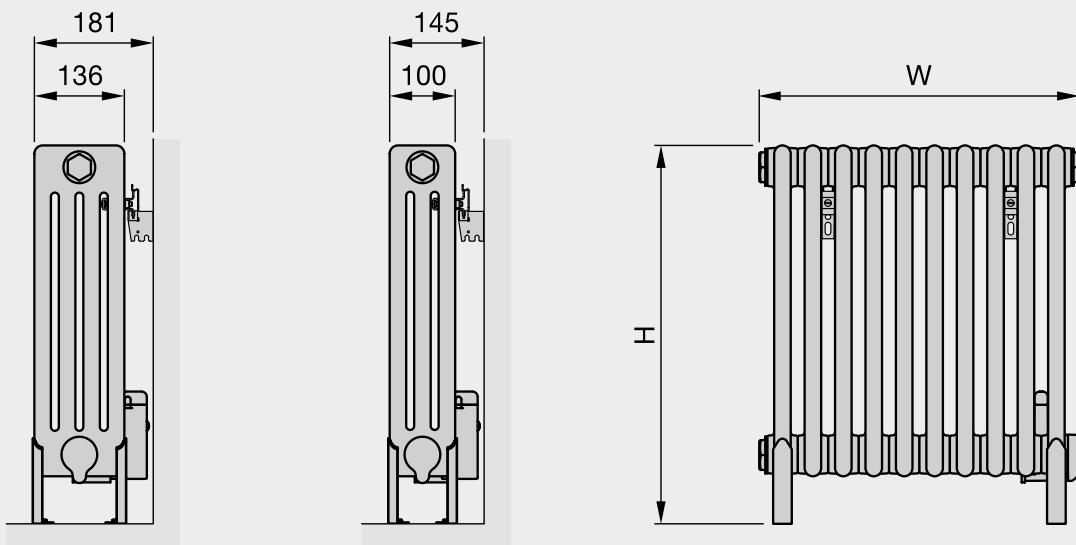
**Colour finish:** Standard colours from the Zehnder colour chart including matt white finish are priced at: RAL 9016 + 25%.

Colour finish and non-stock products.

\*White (RAL 9016)

Accessories			
Model		RRP (ex VAT)	RRP (inc 20% VAT)
601020	Lambswool cleaning brush	£32	£38.40
966018	Zehnder Charleston towel bar 366mm	£145	£174.00
966028	Zehnder Charleston towel bar 918mm	£167	£200.40

Please note: Towel bars can be cut to size to fit perfectly to the size of your selected radiator




H = height  
W = width  
Width includes controller  
All dimensions in mm

Compliant with 2018 Eco Design requirements

The Zehnder **Charleston Electric** with welded on feet is an electric, floor standing oil filled multi-column radiator that suits a variety of rooms, especially loft conversions.



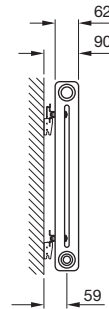
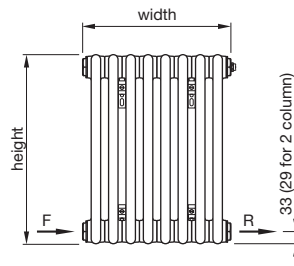
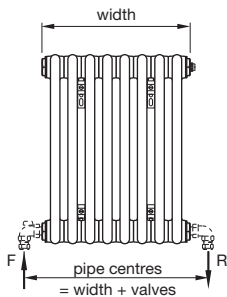
The complete  compliant technical specifications can be viewed by scanning here.



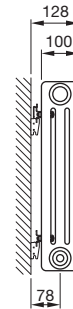
# Zehnder Charleston - horizontal

always the  
best climate

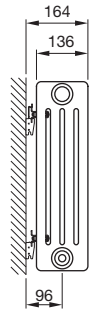
**zehnder**



2 column



3 column



4 column

All dimensions shown are in millimetres

Test pressure: **15 BAR**  
 Max working pressure: **10 BAR**  
 Max working temperature: **110° C**  
 All steel construction: **dia 25mm tubes**  
 Connections: **½ inch BSP btm opp end tapings**

Heat output determined in accordance with EN 442  
 Test Laboratory: WSP-LAB, Test Lab Registration No: 1428

**Not suitable for use on domestic hot water system**

Model	Height ± 2mm	Width ± 1.5%	Finish	Output ΔT=50K		Output ΔT=30K		n	Weight kg	Water Content litres
				Watts	Btu	Watts	Btu			
2050-10	492	486	painted	384	1310	203	693	1.25	7.31	5.0
2050-14	492	670	painted	538	1836	284	969	1.25	10.05	7.0
2050-18	492	854	painted	692	2361	365	1245	1.25	12.79	9.0
2050-22	492	1038	painted	845	2883	446	1522	1.25	15.53	11.0
2050-26	492	1222	painted	999	3409	527	1798	1.25	18.27	13.0
2060-10	592	486	painted	453	1546	239	816	1.25	8.62	6.0
2060-14	592	670	painted	634	2163	336	1146	1.25	11.89	8.4
2060-18	592	854	painted	815	2781	431	1471	1.25	15.15	10.8
2060-22	592	1038	painted	997	3402	527	1798	1.25	18.42	13.2
2060-24	592	1130	painted	1087	3709	575	1962	1.25	20.05	14.4
2060-28	592	1314	painted	1268	4327	671	2290	1.25	23.31	16.8
3050-14	500	670	painted	722	2464	377	1286	1.27	14.98	11.2
3050-18	500	854	painted	929	3170	485	1655	1.27	19.10	14.4
3050-22	500	1038	painted	1135	3873	593	2023	1.27	23.22	17.6
3050-26	500	1222	painted	1341	4576	701	2392	1.27	27.34	20.8
3050-30	500	1406	painted	1548	5282	808	2757	1.27	31.46	24.0
3060-10	600	486	painted	609	2078	319	1088	1.27	12.82	9.0
3060-14	600	670	painted	853	2911	446	1522	1.27	17.72	12.6
3060-18	600	854	painted	1096	3740	574	1959	1.27	22.63	16.2
3060-20	600	946	painted	1218	4156	638	2177	1.27	25.08	18.0
3060-24	600	1130	painted	1462	4989	765	2610	1.27	29.98	21.6
3060-27	600	1268	painted	1645	5613	861	2938	1.27	33.66	24.3
3060-30	600	1406	painted	1827	6234	957	3265	1.27	37.34	27.0
3060-34	600	1590	painted	2071	7067	1084	3699	1.27	42.24	30.6
3075-14	750	670	painted	1040	3549	546	1863	1.26	21.84	15.4
3075-22	750	1038	painted	1635	5579	858	2928	1.26	34.00	24.2
3075-26	750	1222	painted	1932	6592	1015	3463	1.26	40.08	28.6
4030-20	300	946	painted	838	2859	436	1488	1.28	18.06	14.0
4030-30	300	1406	painted	1257	4289	653	2228	1.28	26.81	21.0
4060-14	600	670	painted	1117	3811	585	1996	1.27	23.99	16.8
4060-18	600	854	painted	1437	4903	752	2566	1.27	30.69	21.6
4060-20	600	946	painted	1596	5446	835	2849	1.27	34.04	24.0
4060-24	600	1130	painted	1915	6534	1003	3422	1.27	40.73	28.8
4075-14	750	670	painted	1363	4651	716	2443	1.26	29.38	19.6
4075-18	750	854	painted	1753	5981	920	3139	1.26	37.62	25.2
4075-22	750	1038	painted	2142	7309	1125	3839	1.26	45.86	30.8
4075-26	750	1222	painted	2531	8636	1329	4535	1.26	54.09	36.4

Issue 1.0



Zehnder Group UK Ltd

Concept House  
 Watchmoor Point  
 Camberley  
 Surrey GU15 3AD

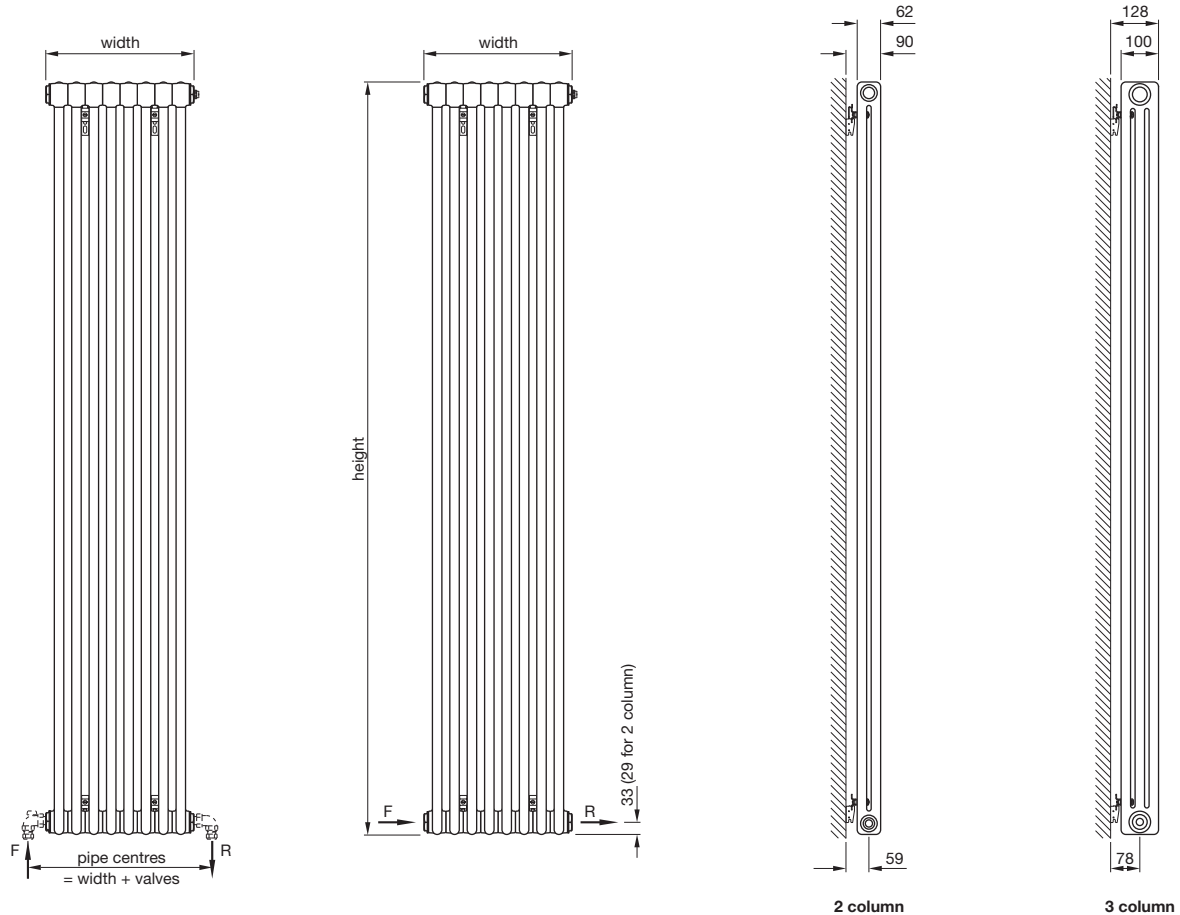
Tel: 01276 605800  
 Fax: 01276 24058  
 retailsales@zehnder.co.uk  
 www.zehnder.co.uk

Registered in England: 2296696

# Zehnder Charleston - vertical

always the  
best climate

**zehnder**



All dimensions shown are in millimetres

Test pressure: **15 BAR**  
 Max working pressure: **10 BAR**  
 Max working temperature: **110° C**  
 All steel construction: **dia 25mm tubes**  
 Connections: **½ inch BSP btm opp end tapings**

**Not suitable for use on domestic hot water system**

Heat output determined in accordance with EN 442  
 Test Laboratory: WSP-LAB, Test Lab Registration No: 1428

Model	Height ± 2mm	Width ± 1.5%	Finish	Output ΔT=50K		Output ΔT=30K		n	Weight kg	Water Content litres
				Watts	Btu	Watts	Btu			
2180-6	1792	302	painted	747	2549	387	1320	1.29	14.80	9.0
2180-8	1792	394	painted	995	3395	516	1761	1.29	19.58	12.0
2180-10	1792	486	painted	1244	4245	644	2197	1.29	24.36	15.0
2180-12	1792	578	painted	1493	5094	773	2638	1.29	29.14	18.0
3180-6	1800	302	painted	994	3392	508	1733	1.32	22.02	14.4
3180-8	1800	394	painted	1325	4521	677	2310	1.32	29.17	19.2
3180-10	1800	486	painted	1656	5651	846	2887	1.32	36.33	24.0

Issue 1.0



Zehnder Group UK Ltd

Concept House  
 Watchmoor Point  
 Camberley  
 Surrey GU15 3AD

Tel: 01276 605800  
 Fax: 01276 24058  
 retailsales@zehnder.co.uk  
 www.zehnder.co.uk

Registered in England: 2296696



## Tools & Material Required

Wall plugs - 10mm  
Screws - 7mm diameter x 60mm length  
Suitable valves  
PTFE tape  
Silicone thread sealant  
Tape measure  
Allen key - 13mm & 12mm (when installing Zehnder valves)  
Spanner - 13mm & 14mm  
Socketdriver - 10mm long reach  
Electric drill  
Masonry drill bit - 10mm diameter  
Spirit level  
Stepladder

Key	Component	Qty
A	Air Vent - 1/2" (factory fitted)	1
B	Wall Plug*	4
C	Bracket	4
D	Screw - Hex Head, 7mm dia x 60mm*	4
E	Clamp Assembly	4
F	Security Clip	2

\* Wall Plugs & Screws not supplied

## Assembly Instructions

Sufficient PTFE tape must be applied to valve-tail threads prior to their installation.

Silicone thread sealant should be applied to all threaded components manufactured with 'O-rings'.

Fit valve tails, using correct size Allen key.

Accurately mark out bracket holes on wall.

Drill 10mm diameter holes in wall to a minimum depth of 65mm and insert wall plugs (B).

Attach brackets (C) to wall with screws (D) as shown and level.

Tightly fix the radiator tubes into the upper clamp assemblies (E).

Loosely fit the lower clamp assemblies (E) to the radiator.

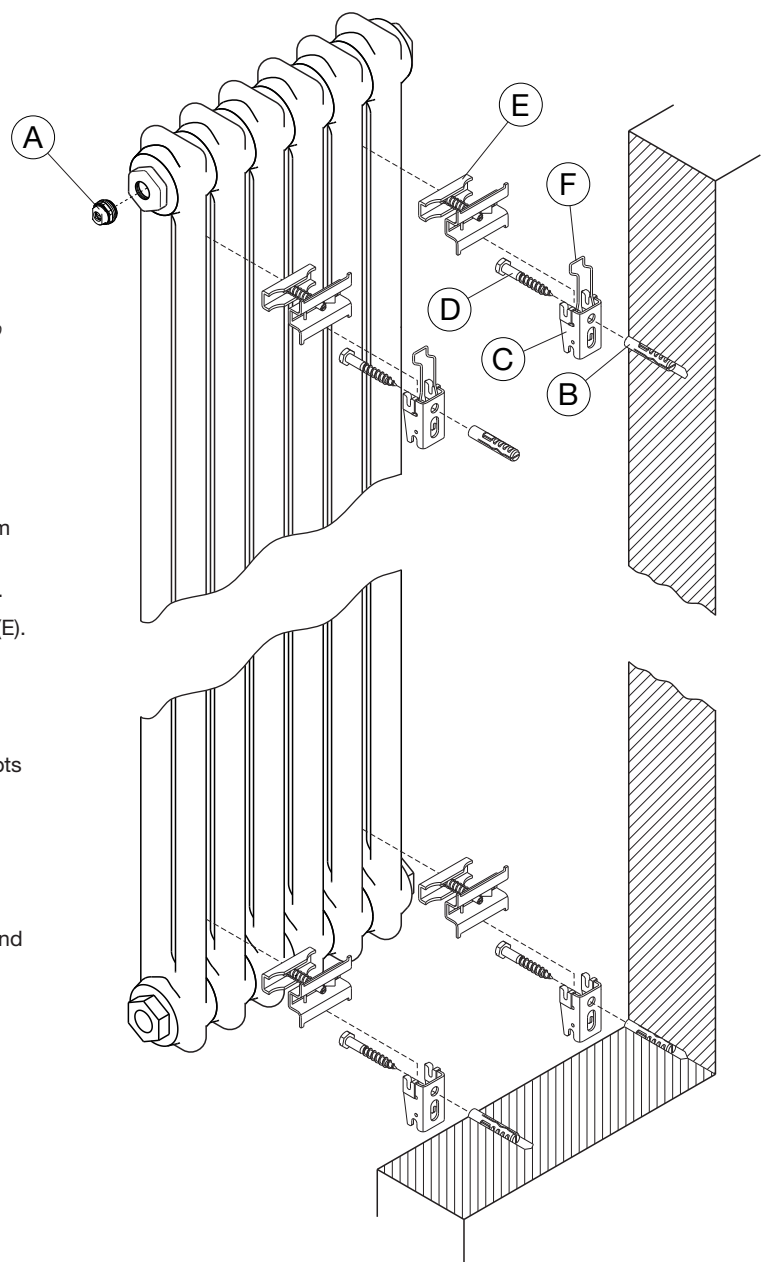
Lift the radiator on to the wall and locate the upper clamp assemblies (E) into the slots in the upper brackets (B).

Slide the lower clamp assemblies (E) until they locate in the slots in the lower brackets (B) and tighten clamps.

Fix security clip (F) into position over upper clamps (E).

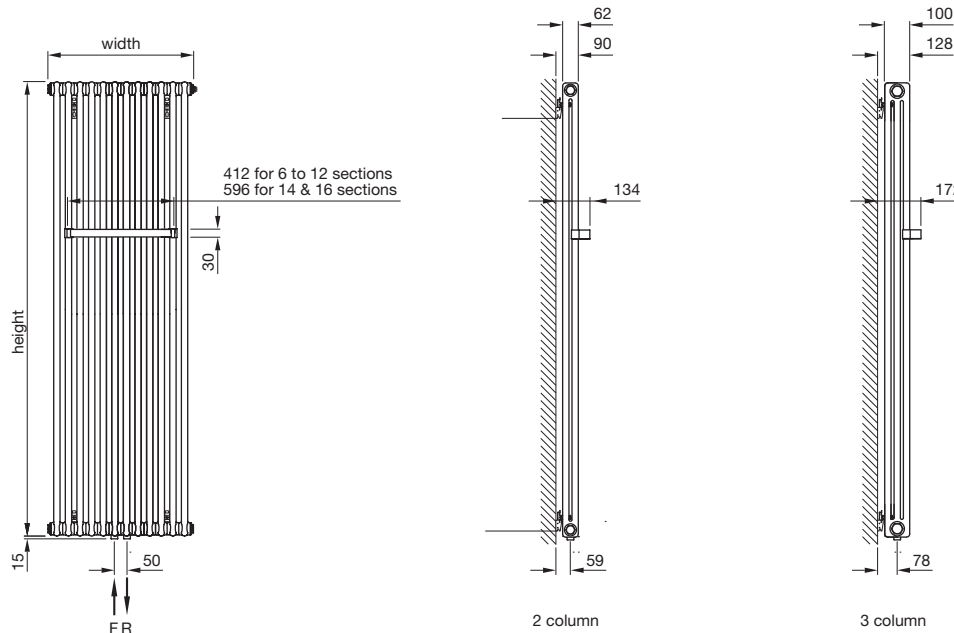
Plumb radiator to heating circuit with flow opposite air vent.

This radiator should be installed onto a central heating system that has been cleaned/flushed and contains water treatment and inhibitors in accordance with BS7593.



# Zehnder Charleston Bar

always the  
best climate **zehnder**



All dimensions shown are in millimetres

Test pressure: **15 BAR**  
 Max working pressure: **10 BAR**  
 Max working temperature: **110° C**  
 All steel construction: **dia 25mm tubes**  
 Connections: **½ inch BSP btm opp end tappings**

**Not suitable for use on domestic hot water system**

Heat output determined in accordance with EN 442  
 Test Laboratory: WSP-LAB, Test Lab Registration No: 1428

Model	Height ± 2mm	Width ± 1.5%	Finish	Output ΔT=50K		Output ΔT=30K		n	Weight kg	Water Content litres
				Watts	Btu	Watts	Btu			
CPV2075-6	742	302	white/colour	330	1126	175	597	1.24	8.91	4.2
CPV2090-10	892	486	white/colour	639	2180	342	1167	1.23	14.93	8.0
CPV2120-10	1192	486	white/colour	827	2822	426	1454	1.30	18.86	11.0
CPV2150-10	1492	486	white/colour	1038	3542	539	1839	1.29	22.80	13.0
CPV2150-12	1492	578	white/colour	1246	4252	647	2208	1.29	26.80	15.6
CPV2150-14	1492	670	white/colour	1453	4958	755	2576	1.29	30.79	18.2
CPV2150-16	1492	762	white/colour	1661	5668	863	2945	1.29	34.79	20.8
CPV2180-10	1792	486	white/colour	1244	4245	647	2208	1.29	26.73	15.0
CPV2180-12	1792	578	white/colour	1493	5094	777	2651	1.29	31.51	18.0
CPV2180-14	1792	670	white/colour	1742	5994	906	3091	1.29	36.29	21.0
CPV2180-16	1792	762	white/colour	1991	6794	1036	3535	1.29	41.07	24.0
CPV3150-10	1500	486	white/colour	1402	4784	718	2450	1.31	32.82	20.0
CPV3150-12	1500	578	white/colour	1683	5743	861	2938	1.31	38.80	24.0
CPV3150-14	1500	670	white/colour	1963	6698	1005	3429	1.31	44.77	28.0
CPV3150-16	1500	762	white/colour	2243	7653	1148	3917	1.31	50.75	32.0
CPV3180-10	1800	486	white/colour	1656	5651	846	2887	1.32	38.70	24.0
CPV3180-12	1800	578	white/colour	1987	6780	1015	3463	1.32	45.85	28.8
CPV3180-14	1800	670	white/colour	2318	7909	1184	4040	1.32	53.01	33.6
CPV3180-16	1800	762	white/colour	2650	9042	1353	4617	1.32	60.16	38.4

Issue 1.0



Zehnder Group UK Ltd

Concept House  
 Watchmoor Point  
 Camberley  
 Surrey GU15 3AD

Tel: 01276 605800  
 Fax: 01276 24058  
 retailsales@zehnder.co.uk  
 www.zehnder.co.uk

Registered in England: 2296696

# Zehnder Charleston Bar

always the  
best climate

**zehnder**

## Tools & Material Required

Wall plugs - 10mm  
Screws - 7mm diameter x 60mm length  
Suitable valves  
PTFE tape  
Silicone thread sealant  
Tape measure  
Allen key - 13mm & 12mm (when installing Zehnder valves)  
Spanner - 13mm & 14mm  
Socketdriver - 10mm long reach  
Electric drill  
Masonry drill bit - 10mm diameter  
Spirit level  
Stepladder

Key	Component	Qty
A	Air Vent - 1/2" (factory fitted)	1
B	Wall Plug*	4
C	Bracket	4
D	Screw - Hex Head, 7mm dia x 60mm*	4
E	Clamp Assembly	4
F	Security Clip	2

\* Wall Plugs & Screws not supplied

## Assembly Instructions

Sufficient PTFE tape must be applied to valve-tail threads prior to their installation.

Silicone thread sealant should be applied to all threaded components manufactured with 'O-rings'.

Fit valve tails, using correct size Allen key.

Accurately mark out bracket holes on wall.

Drill 10mm diameter holes in wall to a minimum depth of 65mm and insert wall plugs (B).

Attach brackets (C) to wall with screws (D) as shown and level.

Tightly fix the radiator tubes into the upper clamp assemblies (E).

Loosely fit the lower clamp assemblies (E) to the radiator.

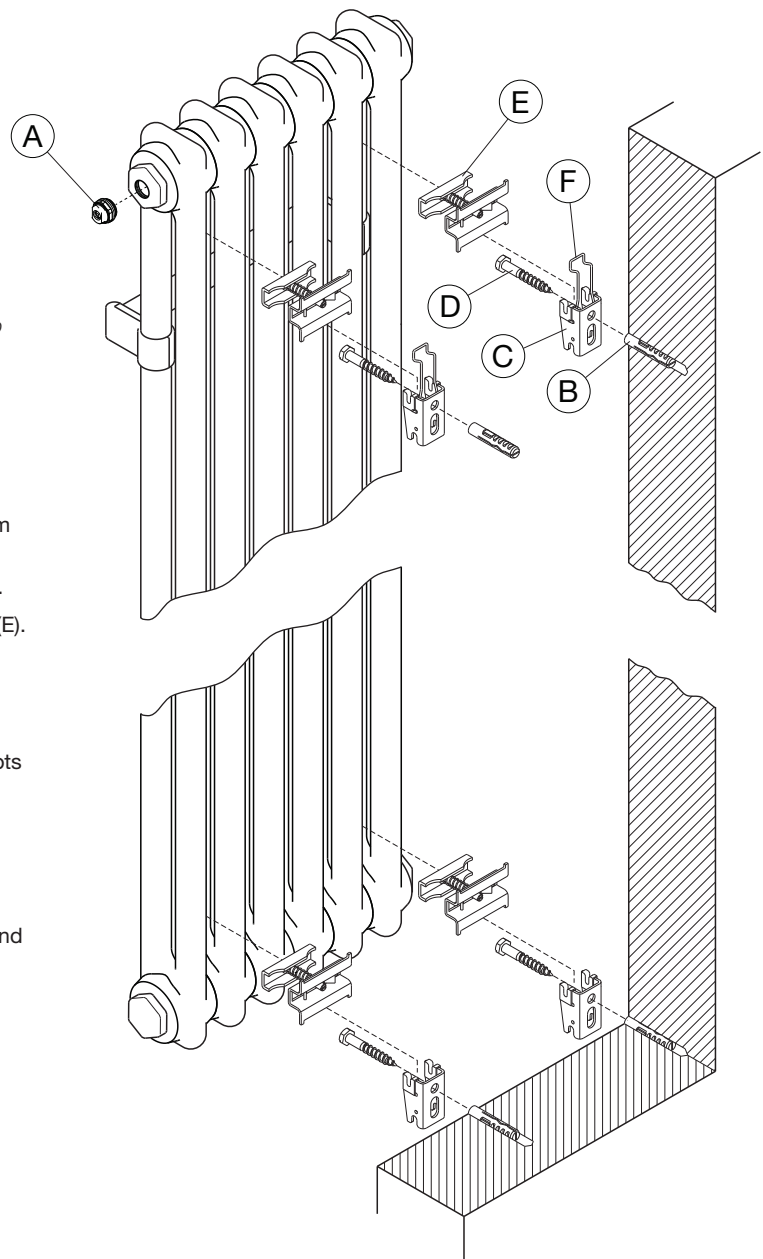
Lift the radiator on to the wall and locate the upper clamp assemblies (E) into the slots in the upper brackets (B).

Slide the lower clamp assemblies (E) until they locate in the slots in the lower brackets (B) and tighten clamps.

Fix security clip (F) into position over upper clamps (E).

Plumb radiator to heating circuit with flow opposite air vent.

This radiator should be installed onto a central heating system that has been cleaned/flushed and contains water treatment and inhibitors in accordance with BS7593.



Issue 1.0

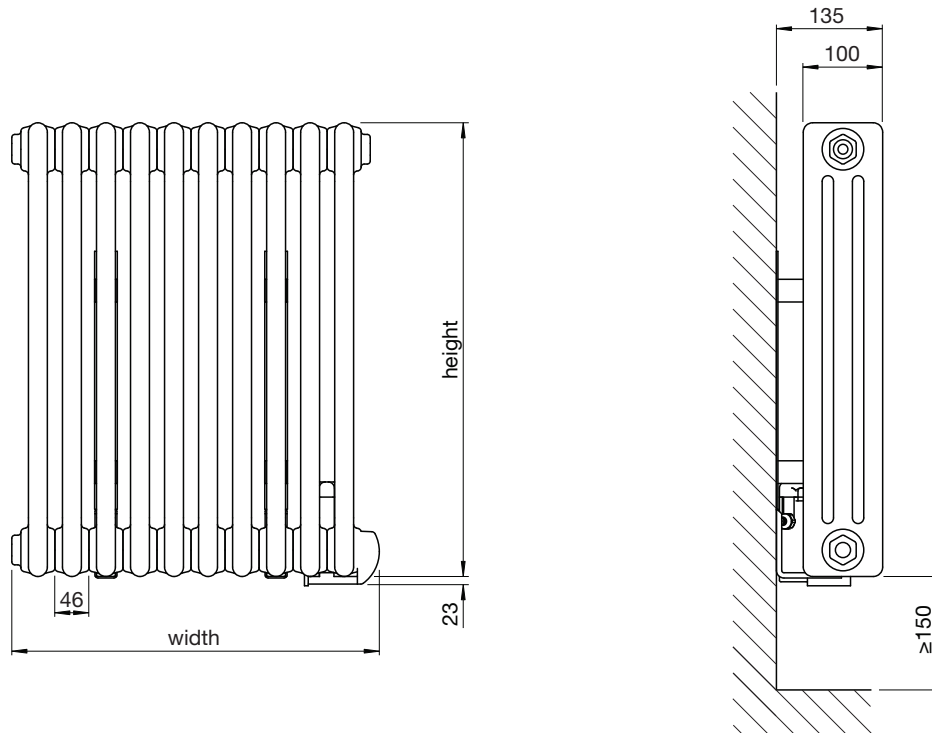


Zehnder Group UK Ltd

Concept House  
Watchmoor Point  
Camberley  
Surrey GU15 3AD

Tel: 01276 605800  
Fax: 01276 24058  
retailsales@zehnder.co.uk  
www.zehnder.co.uk

Registered in England: 2296696



All dimensions shown are in millimetres

All steel construction: **dia 25mm x 1.25mm tubes**

Connections: **1.2m long flying lead (2 core)**

Model	Height ± 2mm	Width ± 1.5%	Number of Sections	Output Watts	Weight kg
NZ-060-053/GF	600	502	10	500	27.0
NZ-060-062/GF	600	594	12	750	30.0
NZ-060-076/GF	600	732	15	1000	41.0
NZ-060-089/GF	600	870	18	1250	47.0
NZ-060-103/GF	600	1008	21	1500	58.0
NZ-060-131/GF	600	1284	27	2000	70.0

Issue 1.0



## Tools & Material Required

Wall plugs - 10mm  
Screws - 7mm diameter x 60mm length  
Tape measure  
Screwdriver - to suit screws  
Electric drill  
Masonry drill bit - 10mm diameter  
Spirit level

Key	Component	Qty
A	Wall Plug*	4
B	Bracket	2
C	Screw - Hex Head, 7mm dia x 60mm*	4

\* Wall Plugs & Screws not supplied

## Assembly Instructions

Mark out position of holes on wall using tape measure and spirit level.

Drill 10mm diameter holes in wall to a minimum depth of 65mm and insert wall plugs (A).

Screw brackets (B) into wall using screws (C).

Place radiator in position on brackets (B) and push back towards the wall until the clips on the bracket hold the radiator securely.

Electric radiators should be fitted only by a qualified electrician and must be connected to a cable outlet in the bathroom in accordance with I.E.E. wiring regulations. The electrical connection should be made to a '13 amp fused fixed spur' located outside the bathroom.

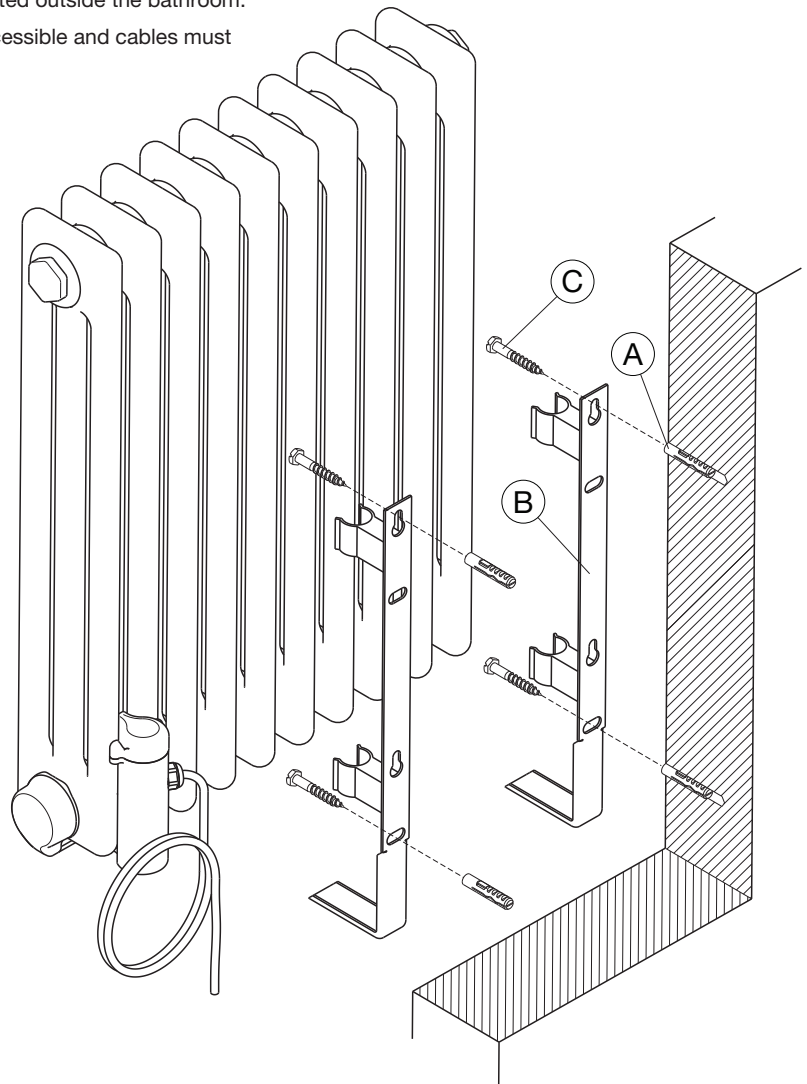
Note: for maintenance purposes, cable outlets must remain accessible and cables must not be buried directly into walls.

## Wiring Guide

Brown - live  
Grey/Blue - neutral  
Black - pilot wire. **This wire should NOT be wired to earth under any circumstances.**

## Caution:

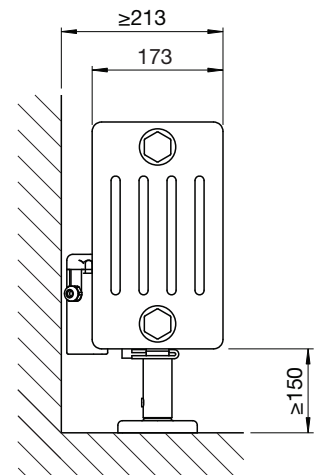
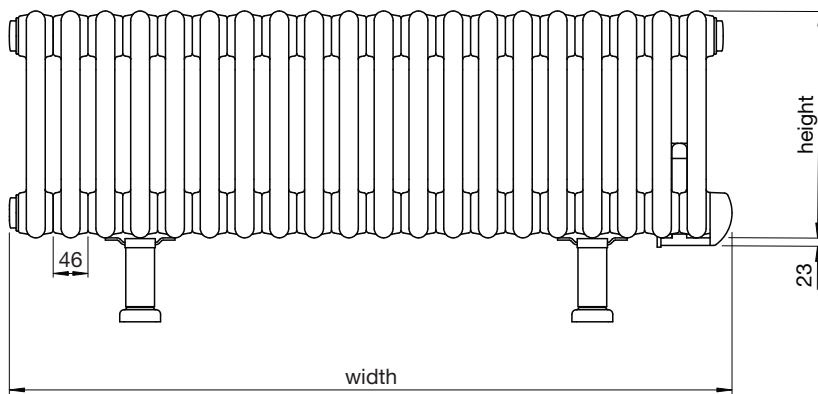
To avoid overheating, this appliance must not be covered.  
The control and thermostat must be kept clear at all times



Issue 1.0

# Zehnder Charleston Plinth Electric

always the  
best climate **zehnder**



All dimensions shown are in millimetres

All steel construction: **dia 25mm x 1.25mm tubes**  
Connections: **1.2m long flying lead (2 core)**

Model	Height ± 2mm	Width ± 1.5%	Number of Sections	Output Watts	Weight kg
NZ-030-100/GF	300	962	20	1000	42.4

Issue 1.0



Zehnder Group UK Ltd

Concept House  
Watchmoor Point  
Camberley  
Surrey GU15 3AD

Tel: 01276 605800  
Fax: 01276 24058  
retailsales@zehnder.co.uk  
www.zehnder.co.uk

Registered in England: 2296696

## Tools & Material Required

Wall plugs - 10mm  
Screws - 7mm diameter x 60mm length  
Tape measure  
Screwdriver - to suit screws  
Allen key  
Electric drill  
Masonry drill bit - 10mm diameter

Key	Component	Qty
A	Wall Plug*	4
B	Bracket	2
C	Cover	2
D	Sliding Post	2
E	Screw - Hex Head, 7mm dia x 60mm*	4

\* Wall Plugs & Screws not supplied

## Assembly Instructions

Mark out position of holes on floor using tape measure.  
Drill 10mm diameter holes in wall to a minimum depth of 65mm and insert wall plugs (A).  
Screw brackets (B) into floor using screws (E) & fit covers (C).  
Attach sliding posts (D) to underside of radiator.

Place radiator in position on brackets (B) and fix in place to desired height by tightening grub screw in sliding posts (D).

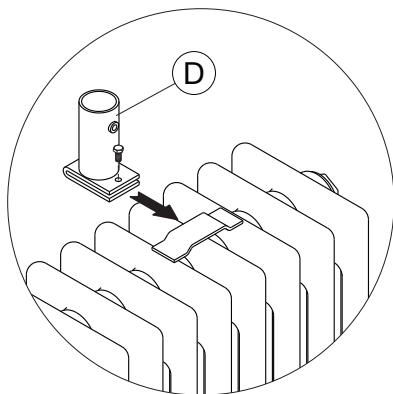
Electric radiators should be fitted only by a qualified electrician and must be connected to a cable outlet in the bathroom in accordance with I.E.E. wiring regulations. The electrical connection should be made to a '13 amp fused fixed spur' located outside the bathroom.

## Wiring Guide

Brown - live  
Grey/Blue - neutral  
Black - pilot wire. **This wire should NOT be wired to earth under any circumstances.**

## Caution:

To avoid overheating, this appliance must not be covered.  
The control and thermostat must be kept clear at all times



underside of radiator

