

Zehnder Blok

Formerly the Bisque Blok



Stocked Items

In stock items highlighted in black	Height mm	Width mm	Finish	Output $\Delta T=50^{\circ}C$ Watts/btu All outputs certified to EN 442	RRP (ex VAT)	RRP (inc 20% VAT)
Zehnder Blok						
BLA-060-033	590	327	white*	297/1013	£439	£526.80
BLA-060-066	590	655	white*	593/2023	£698	£837.60
BLA-060-082	590	819	white*	741/2528	£871	£1,045.20
BLA-060-099	590	984	white*	890/3037	£981	£1,177.20
BLA-060-115	590	1148	white*	1038/3542	£1,127	£1,352.40
BLA-130-033	1290	327	white*	562/1918	£544	£652.80
BLA-160-033	1590	327	white*	675/2303	£597	£716.40
BLA-160-050	1590	491	white*	1012/3453	£822	£986.40
BLA-190-033	1890	327	white*	789/2692	£656	£787.20
BLA-190-050	1890	491	white*	1184/4040	£887	£1,064.40
BLA-190-066	1890	655	white*	1578/5384	£1,147	£1,376.40
BLA-060-033-0336	590	327	volcanic	297/1013	£439	£526.80
BLA-060-066-0336	590	655	volcanic	593/2023	£698	£837.60
BLA-060-082-0336	590	819	volcanic	741/2528	£871	£1,045.20
BLA-060-099-0336	590	984	volcanic	890/3037	£981	£1,177.20
BLA-060-115-0336	590	1148	volcanic	1038/3542	£1,127	£1,352.40
BLA-130-033-0336	1290	327	volcanic	562/1918	£544	£652.80
BLA-160-033-0336	1590	327	volcanic	675/2303	£597	£716.40
BLA-160-050-0336	1590	491	volcanic	1012/3453	£822	£986.40
BLA-190-033-0336	1890	327	volcanic	789/2692	£656	£787.20
BLA-190-050-0336	1890	491	volcanic	1184/4040	£887	£1,064.40
BLA-190-066-0336	1890	655	volcanic	1578/5384	£1,147	£1,376.40

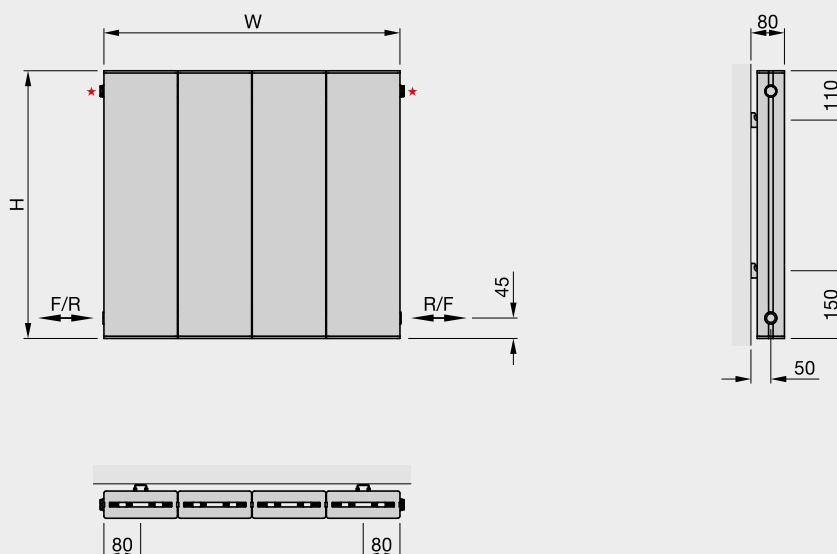
*White (RAL 9016)

Also available in Aluminium, Champagne, Nickel Look, Marron and White Sable colour Finishes: Exclusive Aluminium radiator colour finishes are priced at RAL9016 + 25%. Colour finish delivery: 4-6 weeks.

To make this a towel radiator please add a BLAR-33 towel rail to the order. Max. 1 rail per radiator. Please note: towel rails are only suitable for radiators 327mm in width.

Accessories				
Model		Finish	RRP (ex VAT)	RRP (inc 20% VAT)
BLARS-033	Zehnder Blok Rail for cloakroom. Length spans 2 elements (adds 38mm to front face)	Polished Aluminium	£169	£202.80
BLAR-033	Zehnder Blok Rail. Length spans 2 elements (adds 66mm to front face)	Polished Aluminium	£169	£202.80

*1/2" air vent
Width excludes air vent
F = flow
R = return
H = height
W = width
All dimensions in mm



formerly the
BISQUE BLOK

Calm and chic, the **Blok** towel radiator complements the clean lines of modern bathrooms and kitchens. Compact and with a good heat output, this energy efficient radiator is suitable for both large and small spaces.



BLA-060-033 TRAFFIC WHITE 9016




Model BLA-060-033 using BLARS-033 is designed for cloakrooms and comes with a narrower towel rail so it can fit into small spaces.



Zehnder recommends VALVE SET 37.



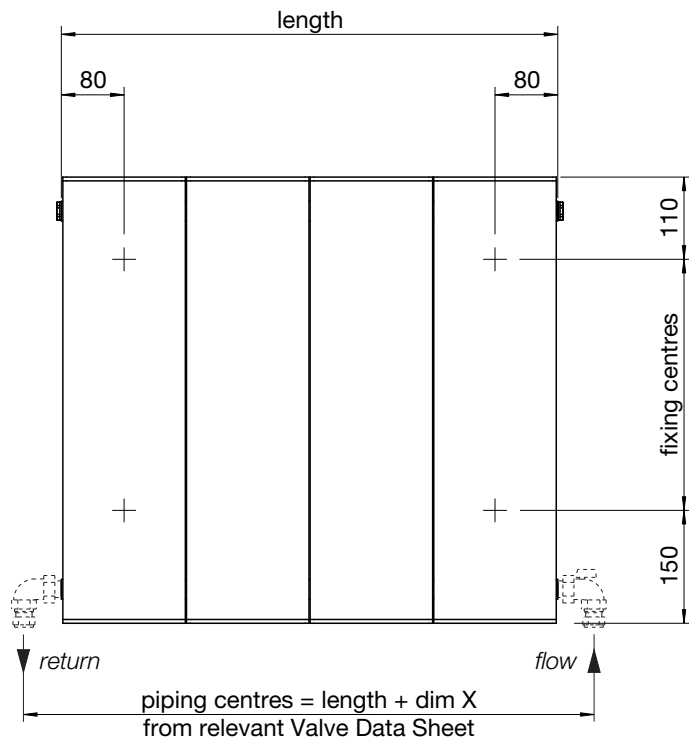
BLA-160-033-0336 VOLCANIC 0336
with optional towel rail BLAR-033

The complete  compliant technical specifications can be viewed by scanning here.

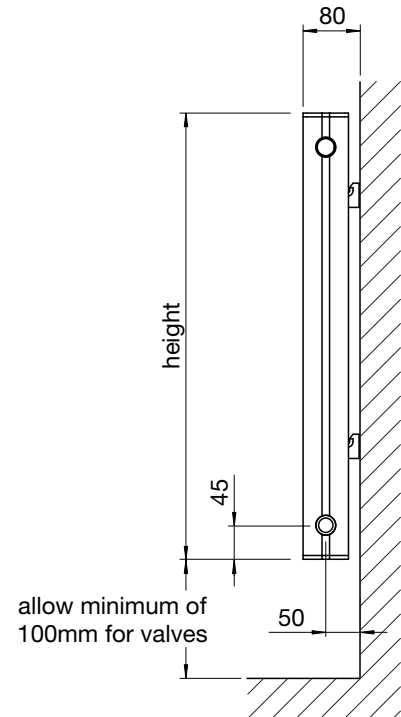


Zehnder Blok

always the
best climate **zehnder**



*note: flow & return can be reversed if required
see separate sheet for instructions*



All dimensions shown are in millimetres

Test pressure: **8 BAR**
 Max working pressure: **6 BAR**
 Max working temperature: **90° C**
 All stainless steel construction: **extruded aluminium section with aluminium water circuit
plastic chrome end trims**
 Connections: **½ inch BSP opposite end tappings**

Heat output determined in accordance with EN 442
 Test Laboratory: M.R.T, Test Lab Registration No: 1695

Model	Height ± 2mm	Width ± 2mm	Finish	Output ΔT=50K		Output ΔT=30K		n	Weight kg	Water Content litres
				Watts	Btu	Watts	Btu			
BLA-060-033	590	327	painted	297	1013	156	532	1.27	4.33	0.59
BLA-060-066	590	655	painted	593	2023	312	1065	1.27	8.66	1.19
BLA-060-082	590	819	painted	741	2528	390	1331	1.27	10.83	1.49
BLA-060-099	590	984	painted	890	3037	467	1593	1.27	12.99	1.79
BLA-060-115	590	1148	painted	1038	3542	545	1860	1.27	15.16	2.08
BLA-130-033	1290	327	painted	562	1918	292	996	1.27	8.52	1.09
BLA-160-033	1590	327	painted	675	2303	349	1191	1.28	10.32	1.31
BLA-160-050	1590	491	painted	1012	3453	524	1788	1.28	15.48	1.95
BLA-190-033	1890	327	painted	789	2692	407	1389	1.30	12.11	1.51
BLA-190-050	1890	491	painted	1184	4040	610	2081	1.30	18.17	2.27
BLA-190-066	1890	655	painted	1578	5384	813	2774	1.30	24.23	3.03

Issue 1.0



Zehnder Group UK Ltd

Concept House
 Watchmoor Point
 Camberley
 Surrey GU15 3AD

Tel: 01276 605800
 Fax: 01276 24058
 retailsales@zehnder.co.uk
 www.zehnder.co.uk

Registered in England: 2296696

Tools & Material Required

Suitable valves
PTFE tape
Silicone thread sealant
Tape measure
Screwdriver - crosshead
Screwdriver - flathead
13mm socket/spanner
Electric drill
Masonry drill bit - 10mm diameter
Spirit level
Stepladder (for taller radiators)

Key	Component	Qty
A	Air Vent - 1/2"	1
B	Blanking Plug	1
C	Wall Plug	4
D	Bracket	4
E	Plastic Insert	8
F	Screw - Hex Head, 8mm dia x 650mm	4

Assembly Instructions

Sufficient PTFE tape must be applied to valve-tail thread prior to its installation.
Silicone thread sealant should be applied to all threaded components manufactured with 'O-rings'.

Fit air vent (A) & blanking plug (B).

Accurately mark out bracket holes on wall using spirit level.

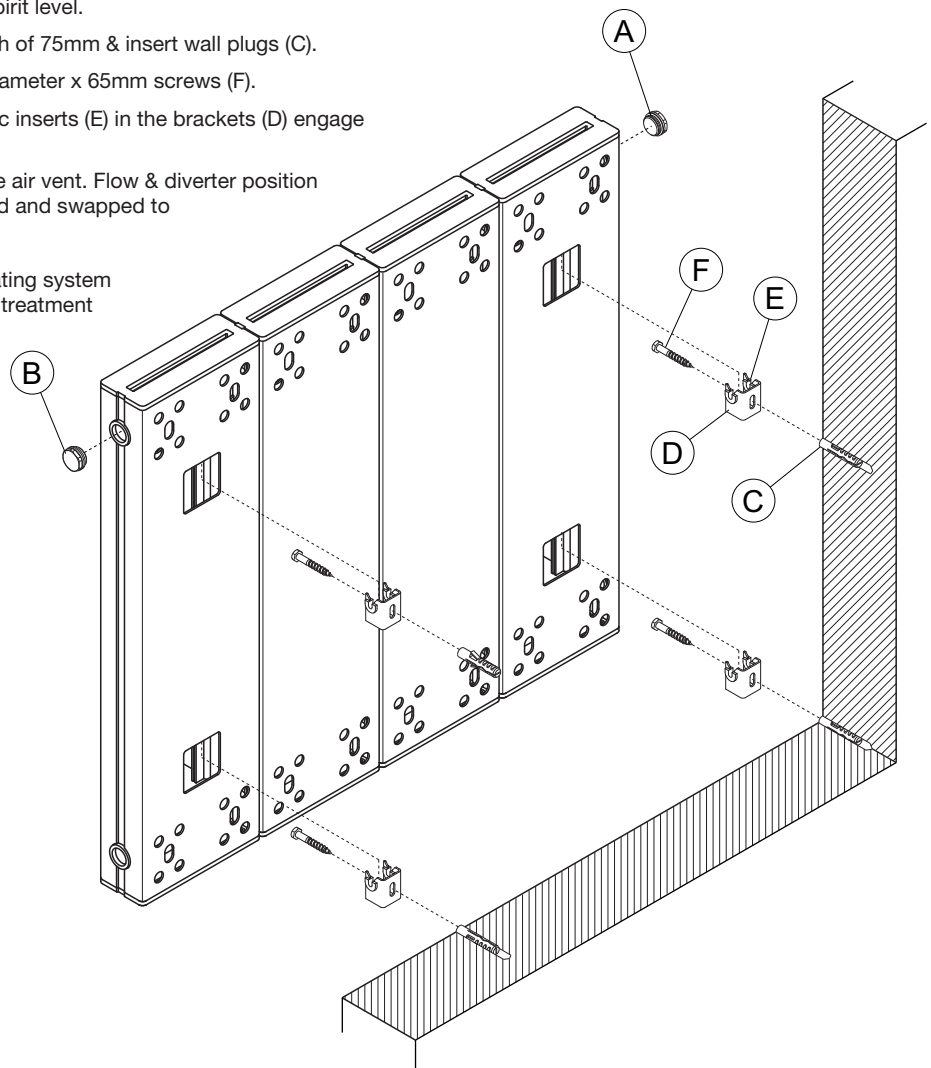
Drill four 10mm diameter holes to a minimum depth of 75mm & insert wall plugs (C).

Screw brackets (D) into wall plugs (C) with 8mm diameter x 65mm screws (F).

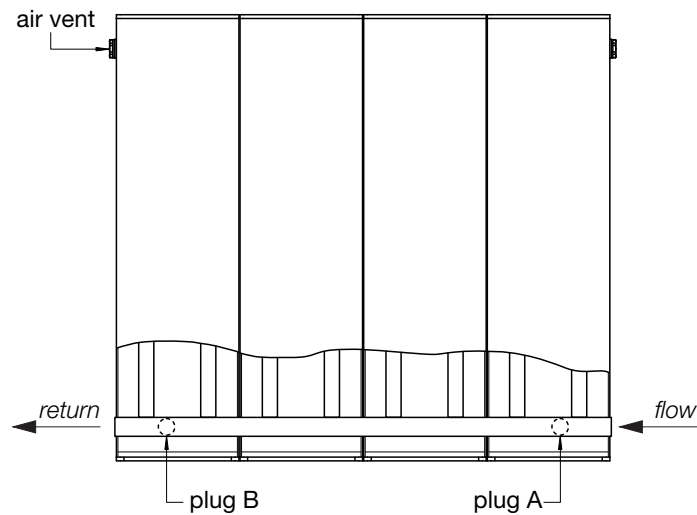
Hang radiator on brackets, ensuring that the plastic inserts (E) in the brackets (D) engage with the rear face of the radiator.

Plumb radiator to heating circuit with flow opposite air vent. Flow & diverter position indicated by a yellow plug. Diverter can be removed and swapped to other side if required.

This radiator should be installed onto a central heating system that has been cleaned/flushed and contains water treatment and inhibitor suitable for a mixed metal system in accordance with BS7593.



Issue 1.0



Radiator Baffle Position
(viewed from front of radiator)

For Standard Right Hand Flow

- do nothing as the diverter is factory fitted under plug A

For Left Hand Flow

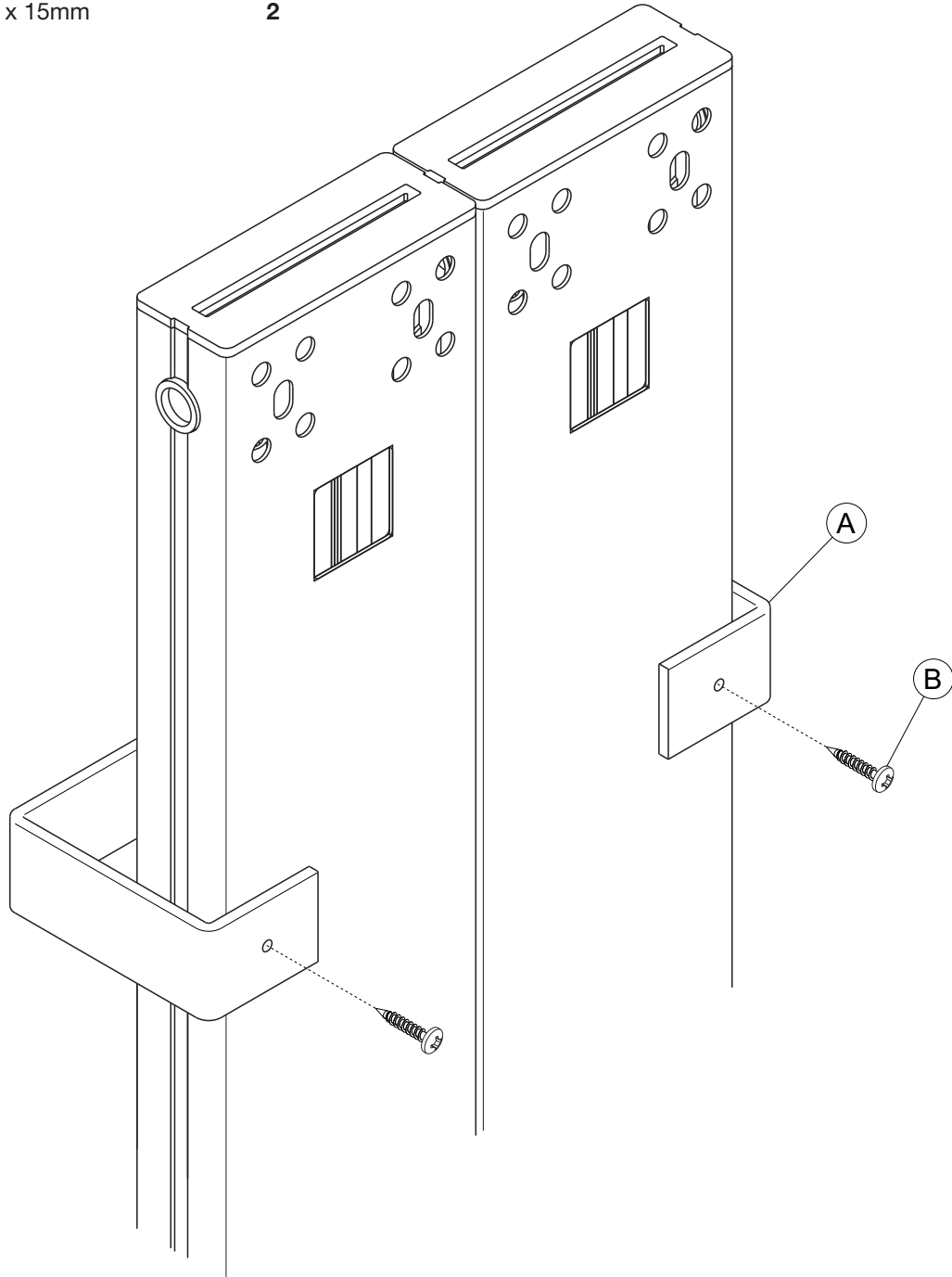
- remove plugs A & B
- push the diverter from position A to position B
- replace plugs A & B
- air vent should be fitted diagonally opposite to flow

Zehnder Blok Towel Rail

always the
best climate

zehnder

Key	Component	Qty
A	Towel Rail	1
B	Screw - 5mm dia x 15mm	2



Assembly Instructions

The towel rail should be fitted to the radiator before it is hung on the wall.

Slide the towel rail (A) over the bottom of the radiator and fix in place with screws (B) using the mounting holes on the rear of the radiator at the desired height.

Issue 1.0



Zehnder Group UK Ltd

Concept House
Watchmoor Point
Camberley
Surrey GU15 3AD

Tel: 01276 605800
Fax: 01276 24058
retailsales@zehnder.co.uk
www.zehnder.co.uk

Registered in England: 2296696