

# Zehnder Balmoral

Formerly the Bisque Balmoral



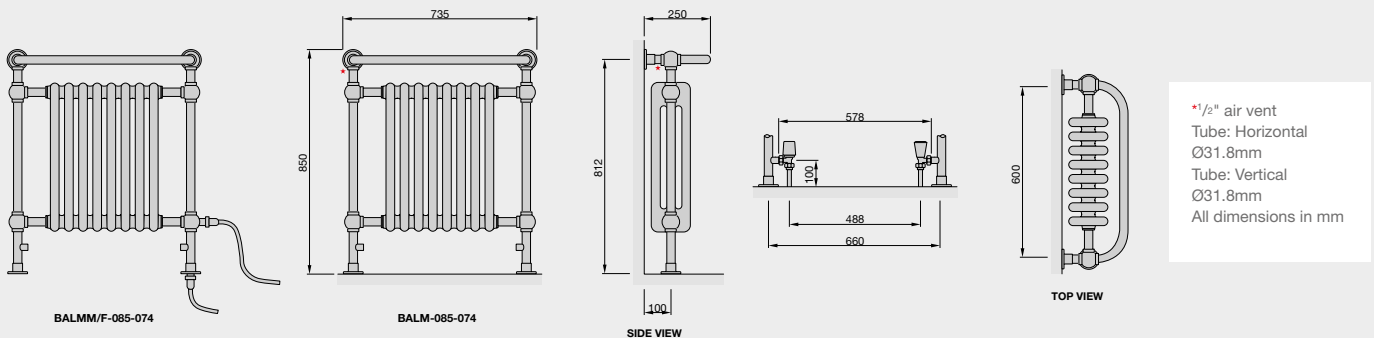
Stocked Items

In stock items highlighted in black	Height mm	Width mm	Finish	Output $\Delta T=50^{\circ}C$ Watts/btu All outputs certified to EN 442	RRP (ex VAT)	RRP (inc 20% VAT)
<b>Zehnder Balmoral</b>						
<b>BALM-085-074-CPHO</b>	850	735	chrome	683/2330	<b>£1,646</b>	<b>£1,975.20</b>
BALM-085-074-BNHO	850	735	bright nickel	683/2330	£2,213	£2,655.60
BALM-085-074-AGHO	850	735	antique gold	683/2330	£3,273	£3,927.60
BALM-085-074-DGHO	850	735	dark gold	683/2330	£3,273	£3,927.60
BALM-085-074-PBHO	850	735	polished brass	683/2330	£3,097	£3,716.40
BALM-085-074-ABHO	850	735	antique brass	683/2330	£3,097	£3,716.40
BALM-085-074-BZHO	850	735	antique bronze	683/2330	£3,097	£3,716.40
BALM-085-074-ACHO	850	735	antique copper	683/2330	£3,097	£3,716.40
BALM-085-074-PCHO	850	735	polished copper	683/2330	£3,097	£3,716.40
BALM-085-074-BCHO	850	735	brushed copper	683/2330	£3,097	£3,716.40

In stock items highlighted in black	Height mm	Width mm	Finish	Output $\Delta T=50^{\circ}C$ Watts/btu All outputs certified to EN 442	Dual Fuel Immersion Rating in Watts	RRP (ex VAT)	RRP (inc 20% VAT)
<b>Zehnder Balmoral Dual Energy Heating Model</b>							
<b>BALMM/F-085-074-CPDE</b>	850	735	chrome	683/2330	400	£1,971	£2,365.20
BALMM/F-085-074-BNDE	850	735	bright nickel	683/2330	400	£2,414	£2,896.80
BALMM/F-085-074-AGDE	850	735	antique gold	683/2330	400	£3,474	£4,168.80
BALMM/F-085-074-DGDE	850	735	dark gold	683/2330	400	£3,474	£4,168.80
BALMM/F-085-074-PBDE	850	735	polished brass	683/2330	400	£3,298	£3,957.60
BALMM/F-085-074-ABDE	850	735	antique brass	683/2330	400	£3,298	£3,957.60
BALMM/F-085-074-BZDE	850	735	antique bronze	683/2330	400	£3,298	£3,957.60
BALMM/F-085-074-ACDE	850	735	antique copper	683/2330	400	£3,298	£3,957.60
BALMM/F-085-074-PCDE	850	735	polished copper	683/2330	400	£3,298	£3,957.60
BALMM/F-085-074-BCDE	850	735	brushed copper	683/2330	400	£3,298	£3,957.60

In stock items highlighted in black	Height mm	Width mm	Finish	Simple immersion heater Class I IPX4 Zone 1 Bath, Zone 2 Shower Electric rating (Watts)	RRP (ex VAT)	RRP (inc 20% VAT)
<b>Zehnder Balmoral Electric Heating Model</b>						
<b>BALME/F-085-074-CPEO</b>	850	735	chrome	400	£2,117	£2,540.40
BALME/F-085-074-BNEO	850	735	bright nickel	400	£2,593	£3,111.60
BALME/F-085-074-AGEO	850	735	antique gold	400	£3,736	£4,483.20
BALME/F-085-074-DGEO	850	735	dark gold	400	£3,736	£4,483.20
BALME/F-085-074-PBEO	850	735	polished brass	400	£3,546	£4,255.20
BALME/F-085-074-ABEO	850	735	antique brass	400	£3,546	£4,255.20
BALME/F-085-074-BZEO	850	735	antique bronze	400	£3,546	£4,255.20
BALME/F-085-074-ACEO	850	735	antique copper	400	£3,546	£4,255.20
BALME/F-085-074-PCEO	850	735	polished copper	400	£3,546	£4,255.20
BALME/F-085-074-BCEO	850	735	brushed copper	400	£3,546	£4,255.20

**Colour finish:** Central column radiator can be painted. Standard colours from the Zehnder colour chart including matt white finish are priced on application. Colour finishes are only available on the Chrome central heating version of the Zehnder Balmoral. Colour finish and non-stock products delivery: 3-5 weeks



\*1/2" air vent  
Tube: Horizontal  
Ø31.8mm  
Tube: Vertical  
Ø31.8mm  
All dimensions in mm

formerly the  
BISQUE BALMORAL

The **Balmoral** is the perfect radiator for large, vintage bathrooms as it will both heat the space and keep your towels warm and dry.


Suitable for use on central heating systems, this Victorian style, ball jointed towel rail comes with a beautiful chrome finish but can also be ordered in a range of fabulous finishes including bright nickel, polished brass and antique brass

The Zehnder Balmoral is also available in a number of Deluxe finishes, turn to the back of this catalogue to find out more.

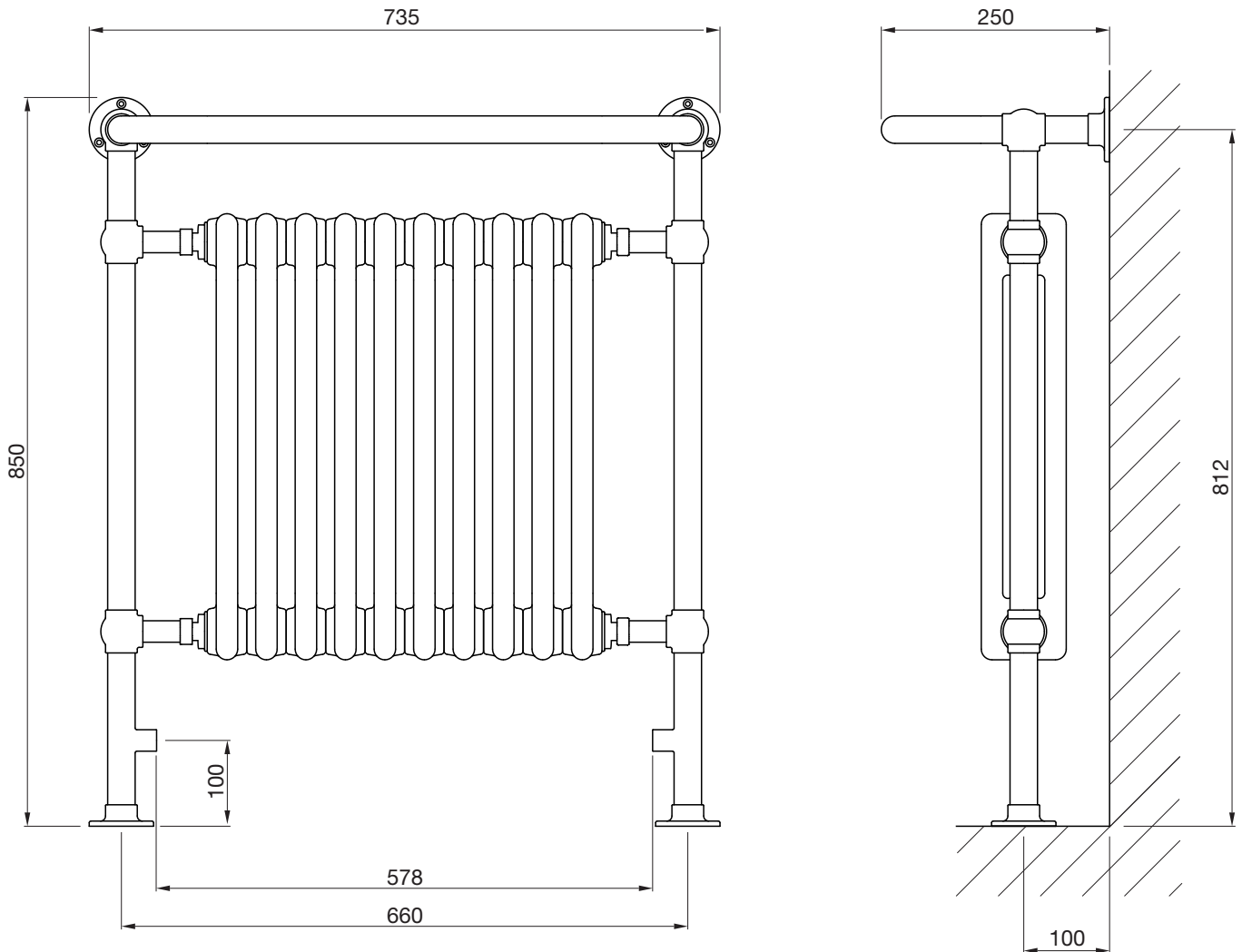


Zehnder recommends VALVE SET 8.



The complete  compliant technical specifications can be viewed by scanning here.





All dimensions shown are in millimetres

Test pressure: **6.9 BAR**  
 Max working pressure: **5 BAR**  
 Max working temperature: **120° C**  
 Inset radiator construction: **dia 25mm round steel tubes**  
 Towel rail construction: **dia 31.8mm round brass tubes**  
 Connections: **½ inch BSP tapings**

Heat output determined in accordance with EN 442  
 Test Laboratory: BSRIA

Model	Height ± 2mm	Width ± 2mm	Finish	Output ΔT=50K		Output ΔT=30K		n	Weight kg	Water Content litres
				Watts	Btu	Watts	Btu			
BALM-085-074	850	735	chrome	683	2330	355	1211	1.31	24	10

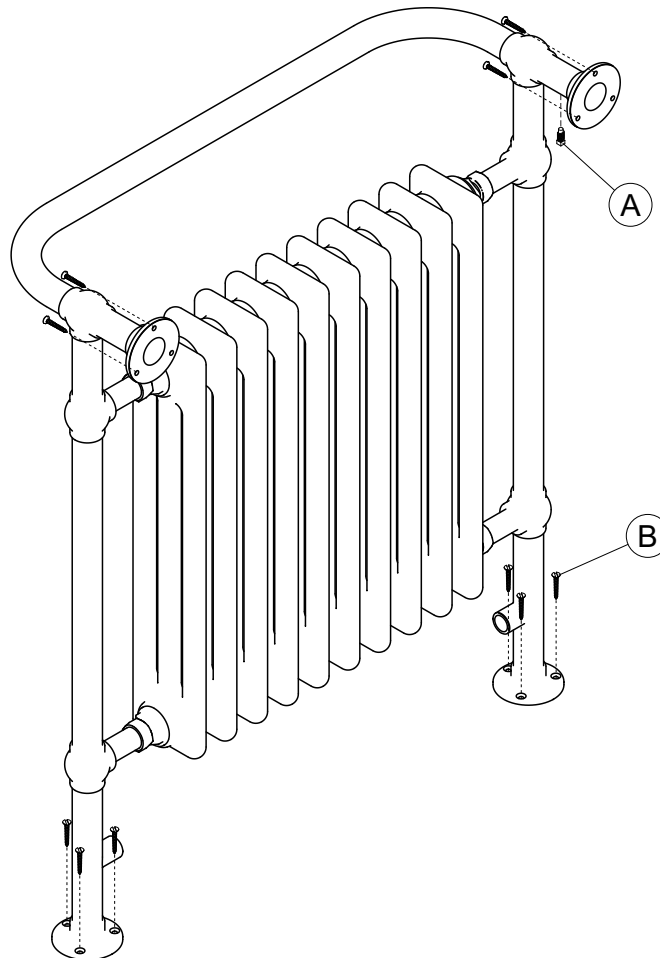
Issue 1.0



## Tools & Material Required

Suitable valves  
PTFE tape  
Silicone thread sealant  
Tape measure  
Allen key - 13mm & 12mm (when installing Zehnder valves)  
Spanner - 13mm & 14mm  
Screwdriver - flathead  
Electric drill  
Masonry drill bit

Key	Component	Qty
A	Air Vent	1
B	Screw	12



## Assembly Instructions

*Sufficient PTFE tape must be applied to valve-tail threads prior to their installation.  
Silicone thread sealant should be applied to all threaded components manufactured with 'O-rings'.*

Fit valve tails, using correct size Allen key.

Fit air vent (A).

Accurately mark out bracket holes on floor & wall.

Drill twelve fixing holes. Screws (B) are supplied but ensure that appropriate fixings are used for the type of wall the radiator is being mounted on.

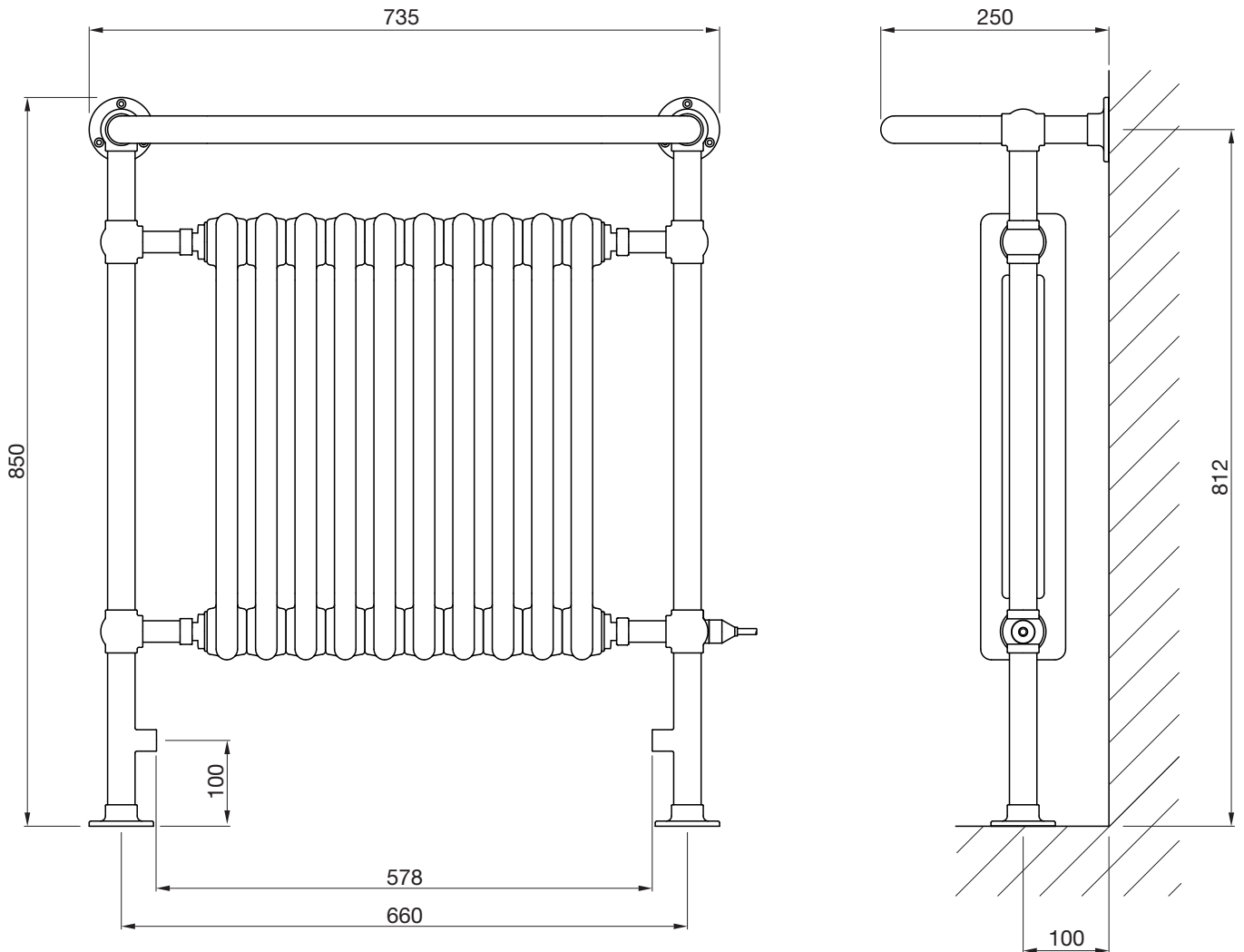
Screw radiator to floor & wall.

Plumb radiator to heating circuit. To enable more efficient bleeding of the radiator, it is recommended that the flow enters the radiator in the right-hand header.

This radiator should be installed onto a central heating system that has been cleaned/flushed and contains water treatment and inhibitors in accordance with BS7593.

# Zehnder Balmoral Dual Energy

always the  
best climate **zehnder**



All dimensions shown are in millimetres

Test pressure: **6.9 BAR**  
 Max working pressure: **5 BAR**  
 Max working temperature: **120° C**  
 Inset Radiator construction: **dia 25mm round steel tubes**  
 Towel rail construction: **dia 31.8mm round brass tubes**  
 Connections: **½ inch BSP tappings**  
 Electrical connection: **1.2m long flying lead (3 core)**  
 Immersion heater rating: **IPX4 or better**

Heat output determined in accordance with EN 442  
 Test Laboratory: BSRIA

Model	Height ± 2mm	Width ± 2mm	Finish	Immersion Output Watts	Output ΔT=50K Watts	Output ΔT=50K Btu	Output ΔT=30K Watts	Output ΔT=30K Btu	n	Weight kg	Water Content litres
BALMM/F-085-074	850	735	chrome	400	683	2330	355	1211	1.31	24	10

Issue 1.0



Zehnder Group UK Ltd

Concept House  
 Watchmoor Point  
 Camberley  
 Surrey GU15 3AD

Tel: 01276 605800  
 Fax: 01276 24058  
 retailsales@zehnder.co.uk  
 www.zehnder.co.uk

Registered in England: 2296696

# Zehnder Balmoral Dual Energy

always the  
best climate

**zehnder**

## Tools & Material Required

Suitable valves  
PTFE tape  
Silicone thread sealant  
Tape measure  
Allen key - 13mm & 12mm (when installing Zehnder valves)  
Spanner - 13mm & 14mm  
Screwdriver - flathead  
Electric drill  
Masonry drill bit

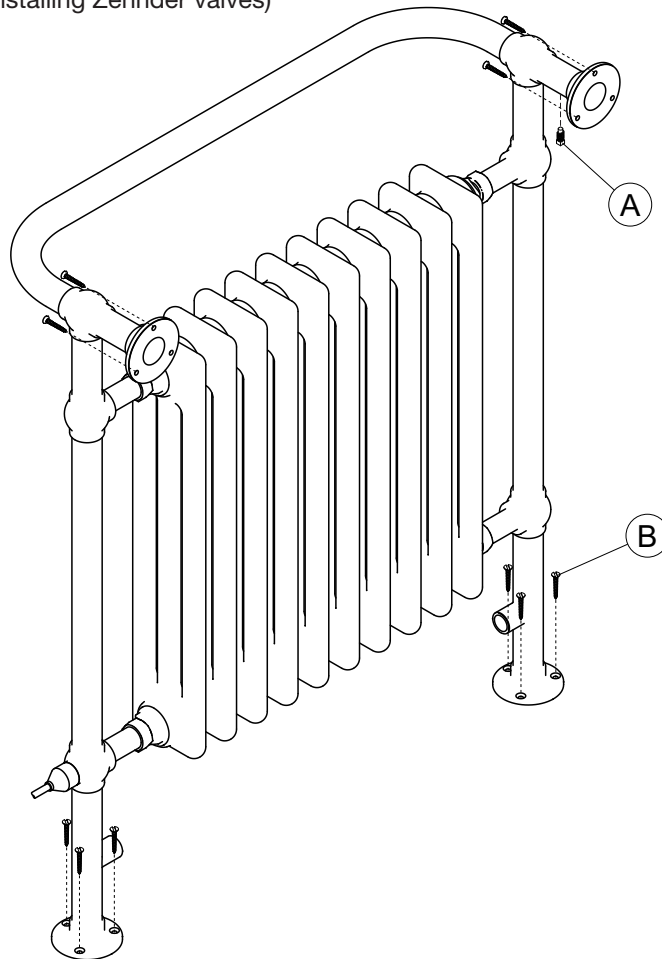
## Key

**A** Air Vent  
**B** Screw

## Component

## Qty

**1**  
**12**



## Assembly Instructions

*Sufficient PTFE tape must be applied to valve-tail threads prior to their installation.  
Silicone thread sealant should be applied to all threaded components manufactured with 'O-rings'.*

Fit valve tails, using correct size Allen key.

Fit air vent (A).

Accurately mark out bracket holes on floor & wall.

Drill twelve fixing holes. Screws (B) are supplied but ensure that appropriate fixings are used for the type of wall the radiator is being mounted on.

Screw radiator to floor & wall.

Plumb radiator to heating circuit. To enable more efficient bleeding of the radiator, it is recommended that the flow enters the radiator in the right-hand header.

This radiator should be installed onto a central heating system that has been cleaned/flushed and contains water treatment and inhibitors in accordance with BS7593.

Electric radiators should be fitted only by a qualified electrician and must be earthed and connected to a cable outlet in the bathroom in accordance with I.E.E. wiring regulations. The electrical connection should be made to a '5 amp fused fixed spur' located outside the bathroom.

*Note: for maintenance purposes, cable outlets must remain accessible and cables must not be buried directly into walls.*

Issue 1.0

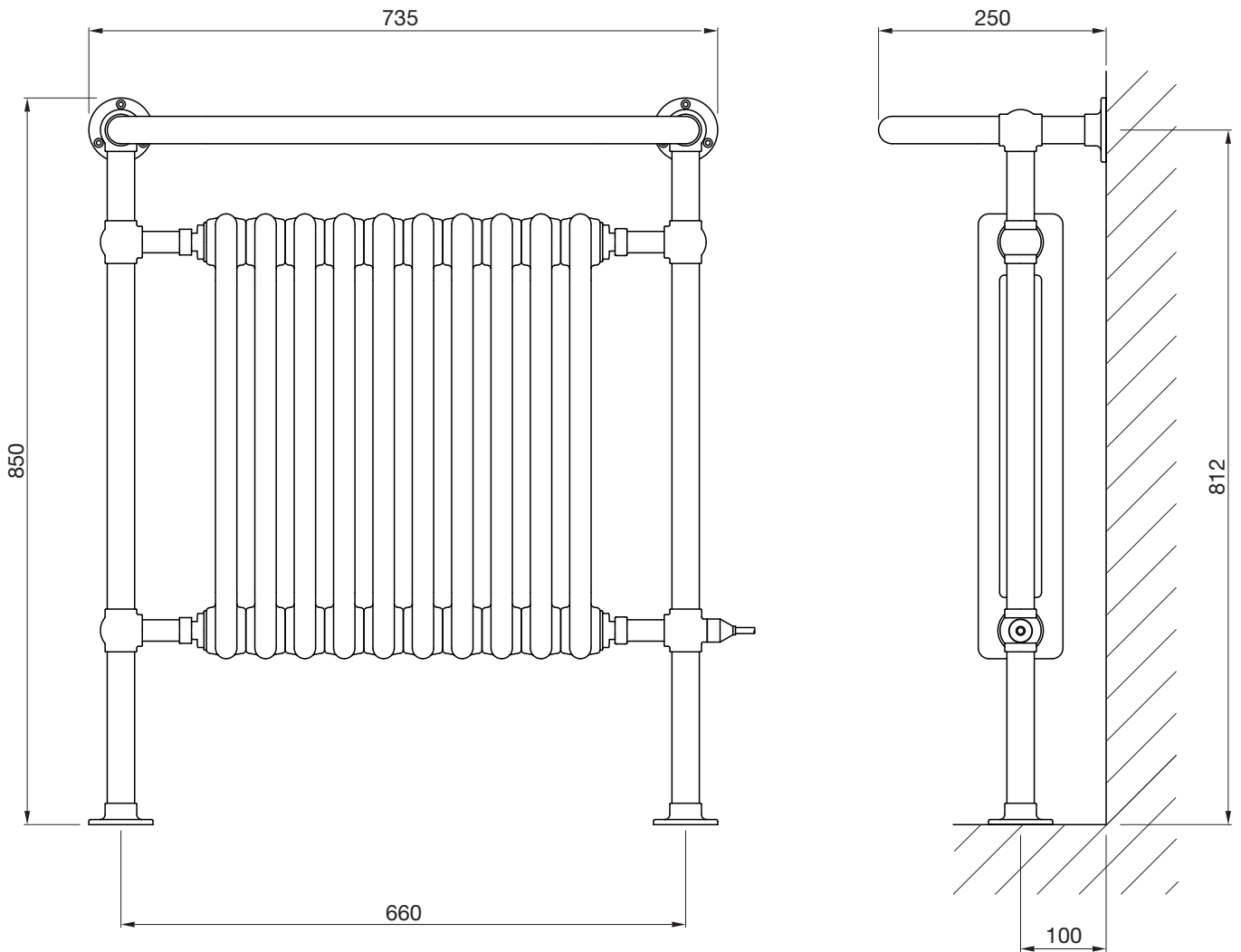


Zehnder Group UK Ltd

Concept House  
Watchmoor Point  
Camberley  
Surrey GU15 3AD

Tel: 01276 605800  
Fax: 01276 24058  
retailsales@zehnder.co.uk  
www.zehnder.co.uk

Registered in England: 2296696



All dimensions shown are in millimetres

Inset radiator construction: **dia 25mm round steel tubes**  
 Towel rail construction: **dia 31.8mm round brass tubes**  
 Connection: **1.2m long flying lead (3 core)**  
 Immersion heater rating: **IPX4 or better**

Model	Height* ± 2mm	Width ± 2mm	Finish	Output Watts	Weight kg
BALME/F-085-074	850	735	chrome	400	34

Issue 1.0



## Tools & Material Required

Screwdriver - flathead  
Electric drill  
Masonry drill bit

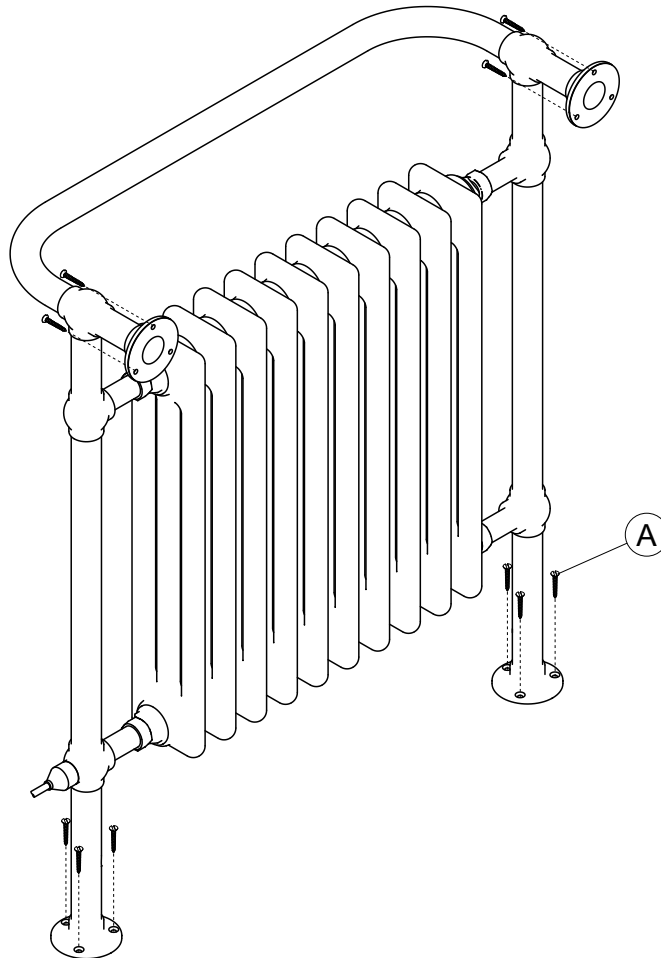
## Key

A Screw

## Component

## Qty

12



## Assembly Instructions

Accurately mark out bracket holes on floor & wall.

Drill twelve fixing holes. Screws (A) are supplied but ensure that appropriate fixings are used for the type of wall the radiator is being mounted on.  
Screw radiator to floor & wall.

Electric radiators should be fitted only by a qualified electrician and must be earthed and connected to a cable outlet in the bathroom in accordance with I.E.E. wiring regulations. The electrical connection should be made to a '5 amp fused fixed spur' located outside the bathroom.

*Note: for maintenance purposes, cable outlets must remain accessible and cables must not be buried directly into walls.*