

Zehnder Ax Spa



Stocked Items

In stock items highlighted in black	Height mm	Width mm	Finish	Output $\Delta T=50^{\circ}C$ Watts/btu All outputs certified to EN 442	Dual Fuel Immersion Rating in Watts	RRP (ex VAT)	RRP (inc 20% VAT)
Zehnder Ax Spa Single tube							
ZA-048-040	484	400	white*	230/785	n/a	£197	£236.40
ZA-060-080	575	800	white*	458/1563	300	£274	£328.80
ZA-060-090	575	900	white*	515/1757	300	£298	£357.60
ZA-060-100	575	1000	white*	573/1955	400	£324	£388.80
ZA-060-120	575	1200	white*	687/2344	400	£372	£446.40
ZA-080-050	836	500	white*	427/1457	300	£246	£295.20
ZA-120-050	1188	500	white*	586/1999	400	£322	£386.40
ZA-120-060	1188	600	white*	685/2337	400	£365	£438.00
ZA-150-040	1540	400	white*	614/2095	400	£342	£410.40
ZA-150-050	1540	500	white*	738/2518	500	£397	£476.40
ZA-150-060	1540	600	white*	862/2941	600	£450	£540.00
ZA-180-050	1804	500	white*	884/3016	600	£470	£564.00
ZA-180-060	1804	600	white*	1032/3521	700	£532	£638.40
ZA-048-040-0336	484	400	volcanic	230/785	n/a	£246	£295.20
ZA-060-080-0336	575	800	volcanic	458/1563	300	£343	£411.60
ZA-060-090-0336	575	900	volcanic	515/1757	300	£373	£447.60

Zehnder Ax Spa Double tube							
ZAD-120-050	1188	500	white*	844/2880	n/a	£521	£625.20
ZAD-150-050	1540	500	white*	1049/3579	n/a	£656	£787.20
ZAD-180-050	1804	500	white*	1262/4306	n/a	£784	£940.80
ZAD-180-060	1804	600	white*	1485/5067	n/a	£914	£1,096.80

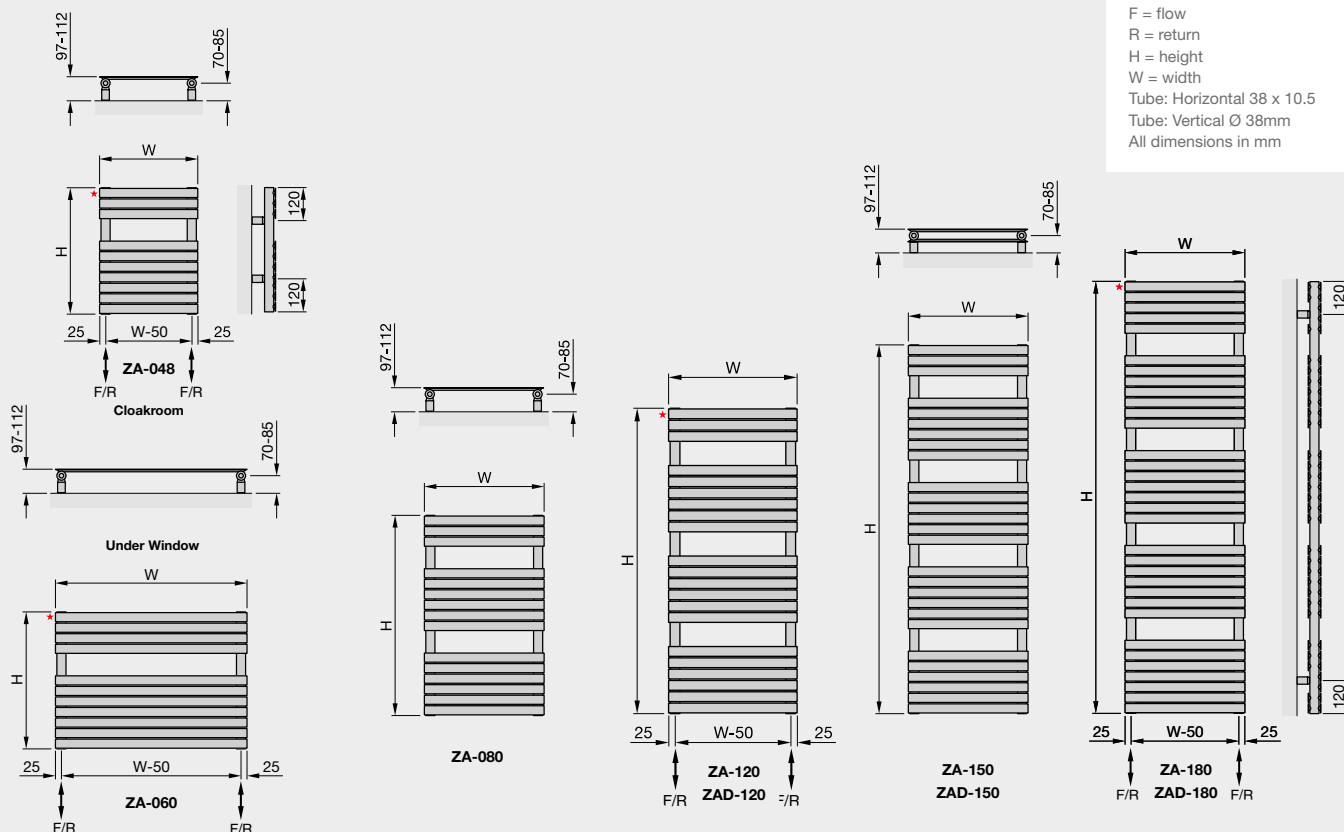
Projection: 97-112mm

*White (RAL 9016)

Dual energy: Self fit (additional cost to central heating model prices). Not available for ZAD. For more information please scan the QR code.

Colour finish: Standard colours from the Zehnder colour chart including matt white finish are priced at: RAL 9016 + 25%.
Colour finish and non-stock products delivery: 3-5 weeks.

*1/8" air vent
Width excludes air vent
F = flow
R = return
H = height
W = width
Tube: Horizontal 38 x 10.5
Tube: Vertical \varnothing 38mm
All dimensions in mm



With its single or double tube options, the unique **Ax Spa** can meet all bathroom-heating requirements. It is also available as an oil-filled electric radiator. Perfect for narrow spaces, and the hidden brackets allow maximum space for towels.



ZA-120-050 VOLCANIC 0336



ZA-150-050 TRAFFIC WHITE 9016



ZA-060-080 VOLCANIC 0336



Zehnder recommends VALVE-SET-10-CR.



ZA-060-080 TRAFFIC WHITE 9016

The complete  compliant technical specifications can be viewed by scanning here.



Zehnder

Ax Spa Chrome & Electric



Stocked Items

In stock items highlighted in black	Height mm	Width mm	Finish	Output $\Delta T=50^{\circ}C$ Watts/btu All outputs certified to EN 442	Dual Fuel Immersion Rating in Watts	RRP (ex VAT)	RRP (inc 20% VAT)
Zehnder Ax Spa Single tube							
ZAC-080-040	836	400	chrome	250/853	150	£481	£577.20
ZAC-080-050	836	500	chrome	300/1024	200	£564	£676.80
ZAC-120-040	1188	400	chrome	340/1160	200	£646	£775.20
ZAC-120-050	1188	500	chrome	410/1399	250	£759	£910.80
ZAC-120-060	1188	600	chrome	480/1638	300	£870	£1,044.00
ZAC-150-050	1540	500	chrome	520/1774	300	£952	£1,142.40
ZAC-150-060	1540	600	chrome	605/2064	400	£1,101	£1,321.20
ZAC-180-050	1804	500	chrome	620/2115	400	£1,137	£1,364.40
ZAC-180-060	1804	600	chrome	725/2474	500	£1,324	£1,588.80

Dual energy: Self fit (additional cost to central heating model prices). For more information please scan the QR code.

Electric Heating Model	Height mm	Width mm	Finish	Watts Radio frequency remote programmer IPX4 Zone 1 Bath, Zone 2 Shower, Class II	RRP (ex VAT)	RRP (inc 20% VAT)
Zehnder Ax Spa Electric						
ZAE-120-050/GF	1210	500	white*	500	£614	£736.80
ZAE-150-040/GF	1562	400	white*	500	£636	£763.20
ZAE-150-050/GF	1562	500	white*	750	£687	£824.40
ZAE-180-060/GF	1826	600	white*	1000	£808	£969.60
ZAE-180-080/GF	1826	800	white*	1250	£922	£1,106.40

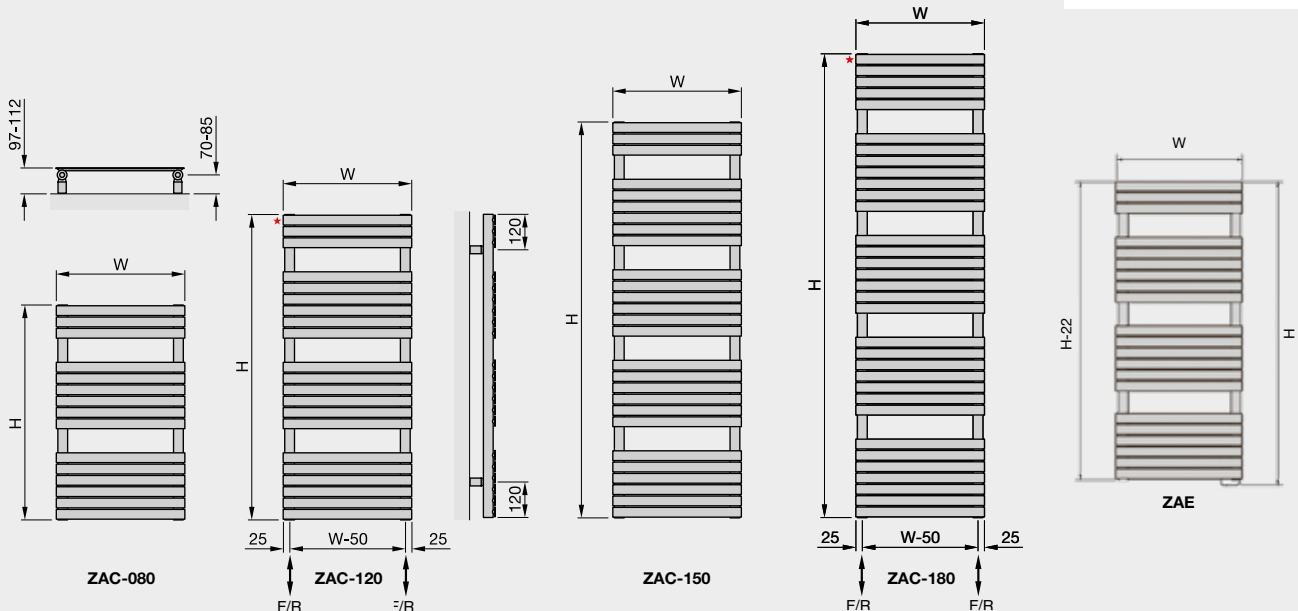
Note: Height includes the immersion heater. (See diagrams below). Chrome finish not available for electric option.

*White (RAL 9016)

Colour finish: Standard colours from the Zehnder colour chart including matt white finish are priced at: RAL 9016 + 25%.
Colour finish and non-stock products delivery: 3-5 weeks.

Note: Electric chrome not available

*1/8" air vent
Width excludes air vent
F = flow
R = return
H = height
W = width
Tube: Horizontal 38 x 10.5
Tube: Vertical \varnothing 38mm
Immersion heater: 22
All dimensions in mm



The **Ax Spa** is available in modern chrome as well as a range of contemporary colours. The electric version offers a flexible bathroom heating solution.



Zehnder recommends VALVE-SET-10-CR.

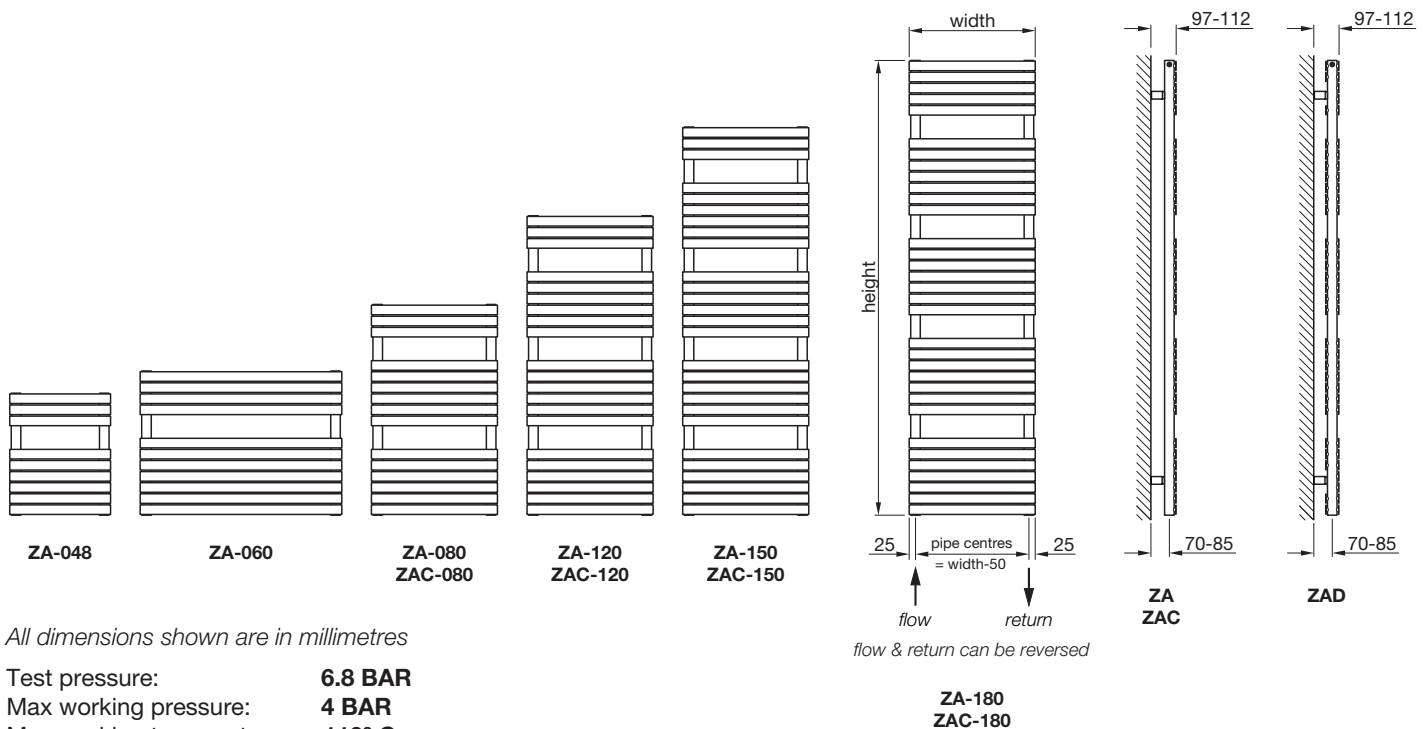


Electric Option
Radio frequency remote programmer, scan the QR code.



The complete CE compliant technical specifications can be viewed by scanning here.





All dimensions shown are in millimetres

Test pressure: **6.8 BAR**
 Max working pressure: **4 BAR**
 Max working temperature: **110° C**
 All steel construction: **38mm x 10.5mm horizontal tubes
 dia 38mm headers**
 Connections: **½ inch BSP underside tapings**

Heat output determined in accordance with EN 442
 Test Laboratory: CETIAT, Test Lab Registration No: 1623

Not suitable for use on domestic hot water system

* rating for simple immersion/CTEC or CTEW in Watts

Model	Height ± 2mm	Width ± 2mm	Finish	Pipe Centres ± 2mm	Output ΔT=50K		Output ΔT=30K		n	Weight kg	Water Content litres	Max. Immersion Rating*
					Watts	Btu	Watts	Btu				
ZA-048-040	484	400	painted	350	230	785	122	416	1.24	4.5	1.3	n/a
ZA-060-080	575	800	painted	750	458	1563	243	829	1.24	10.2	1.7	300
ZA-060-090	575	900	painted	850	515	1757	273	931	1.24	11.3	1.8	300
ZA-060-100	575	1000	painted	950	573	1955	304	1037	1.24	12.4	1.8	400
ZA-060-120	575	1200	painted	1150	687	2344	365	1245	1.24	14.5	1.9	400
ZA-080-050	836	500	painted	450	427	1457	226	771	1.25	8.6	2.3	300
ZA-120-050	1188	500	painted	450	586	1999	311	1061	1.24	12.0	3.3	400
ZA-120-060	1188	600	painted	550	685	2337	364	1242	1.24	13.7	3.5	400
ZA-150-040	1540	400	painted	350	614	2095	325	1109	1.24	13.2	3.8	400
ZA-150-050	1540	500	painted	450	738	2518	392	1338	1.24	15.4	4.0	500
ZA-150-060	1540	600	painted	550	862	2941	460	1570	1.23	17.6	4.6	600
ZA-180-050	1804	500	painted	450	884	3016	471	1607	1.23	18.6	5.1	600
ZA-180-060	1804	600	painted	550	1032	3521	551	1880	1.23	21.3	5.4	700
ZAC-080-040	836	400	chrome	350	250	853	130	444	1.28	7.4	2.3	150
ZAC-080-050	1188	500	chrome	450	300	1024	156	532	1.28	8.6	2.3	200
ZAC-120-040	1188	400	chrome	350	340	1160	177	604	1.28	10.3	3.2	200
ZAC-120-050	1188	500	chrome	450	410	1399	213	727	1.28	12.0	3.3	250
ZAC-120-060	1188	600	chrome	550	480	1638	250	853	1.28	13.7	3.5	300
ZAC-150-050	1540	500	chrome	450	520	1774	270	921	1.28	15.4	4.0	300
ZAC-150-060	1540	600	chrome	550	605	2064	315	1075	1.28	17.6	4.6	400
ZAC-180-050	1804	500	chrome	450	620	2115	322	1099	1.28	18.6	5.1	400
ZAC-180-060	1804	600	chrome	550	725	2474	377	1286	1.28	21.3	5.4	500
ZAD-120-050	1188	500	painted	450	844	2880	439	1498	1.28	20.6	4.4	n/a
ZAD-150-050	1540	500	painted	450	1049	3579	547	1866	1.27	26.5	5.3	n/a
ZAD-180-050	1804	500	painted	450	1262	4306	654	2231	1.29	32.2	5.7	n/a
ZAD-180-060	1804	600	painted	550	1485	5067	771	2631	1.28	37.6	6.9	n/a

Issue 1.0



Tools & Material Required

Suitable valves
PTFE tape
Silicone thread sealant
Tape measure
Allen key - 13mm & 12mm (when installing Zehnder valves)
Electric drill
Masonry drill bit - 8mm diameter
Spirit level
Stepladder (for taller radiators)

Key	Component	Qty
A	Air Vent - 1/8"	1
B	Wall Plug	4
C	Bracket	4
D	Screw - 6mm dia x 50mm	4
E	Washer	4
F	Grub Screw	4
G	Allen Key	1

Assembly Instructions

Sufficient PTFE tape must be applied to valve-tail threads prior to their installation.

Silicone thread sealant should be applied to all threaded components manufactured with 'O-rings'.

Fit valve tails, using correct size Allen key.

Fit air vent (A).

Accurately mark out bracket holes on wall using spirit level.

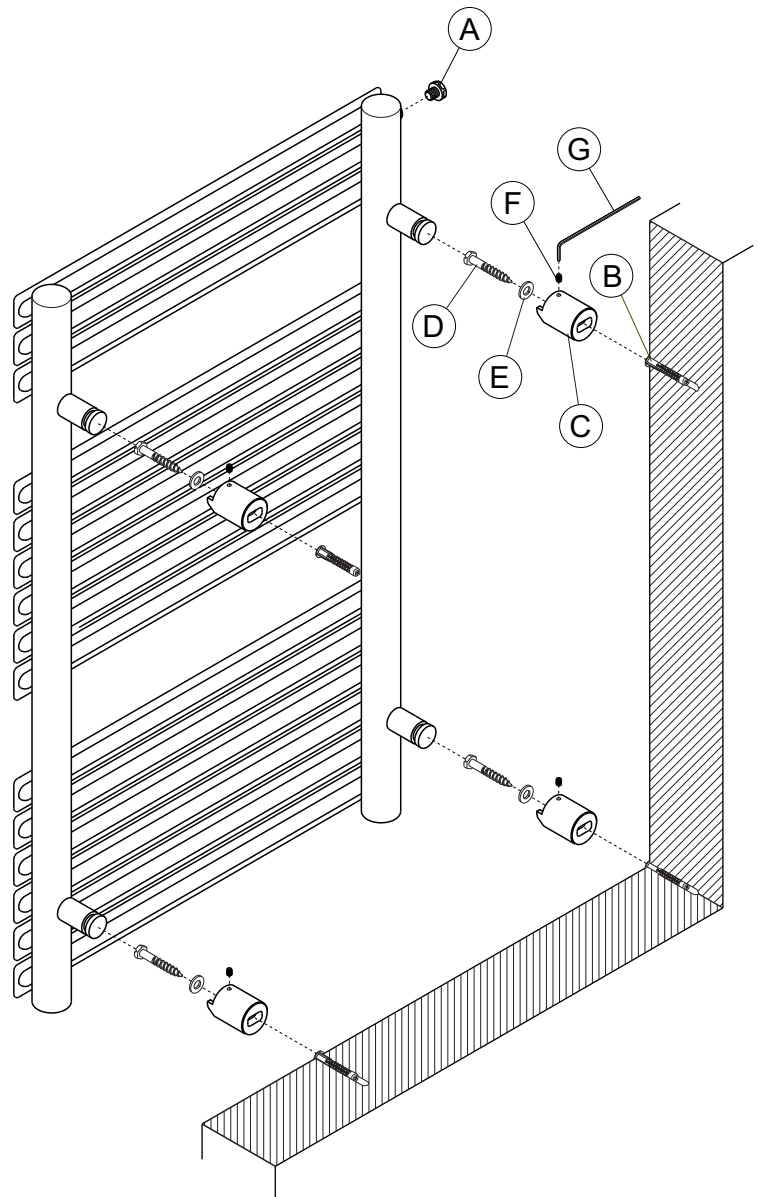
Drill four holes & insert wall plugs (B).

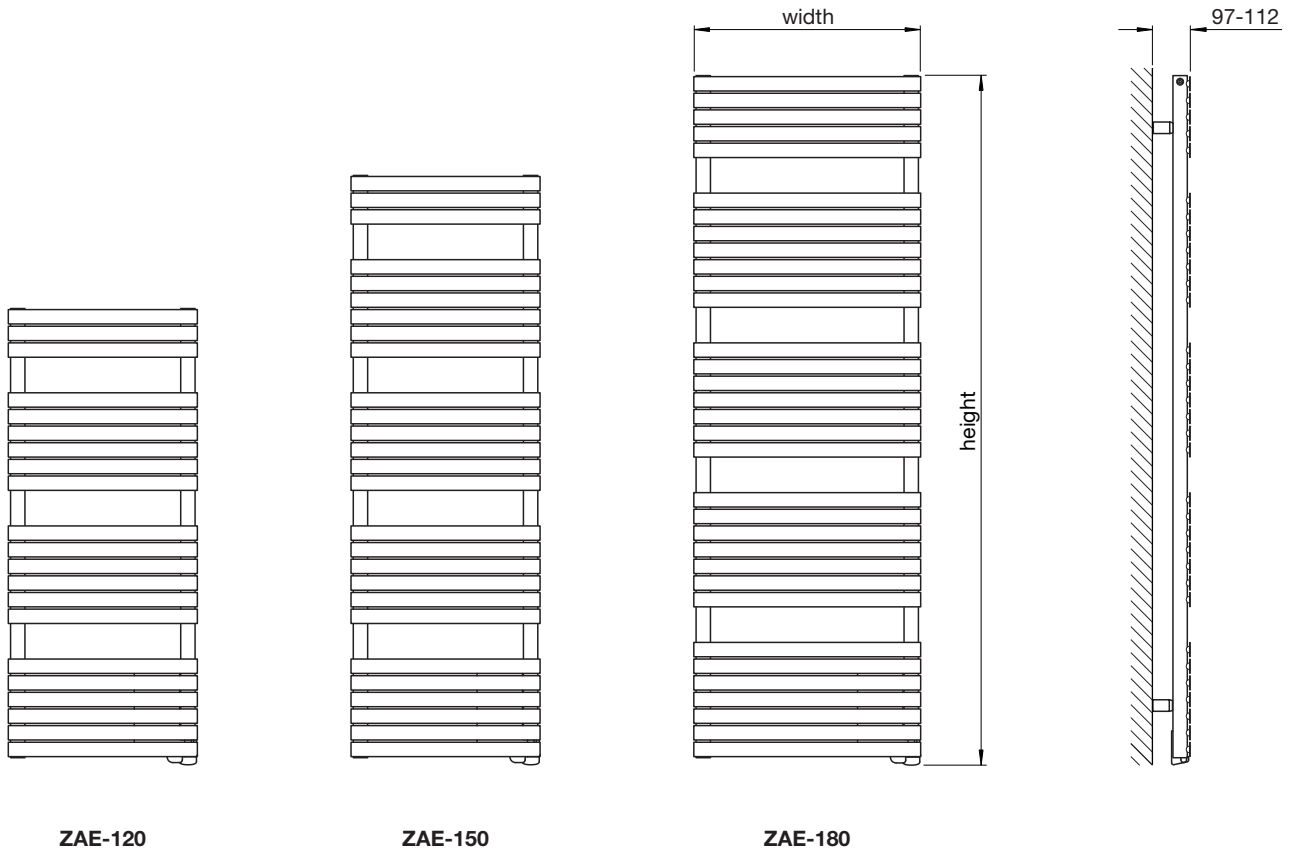
Attach brackets (C) to wall with screws (D) & washers (E).

Slide post on radiator into bracket (C) and secure in position by tightening grub screw (F) with allen key (G).

Plumb radiator to heating circuit with flow opposite air vent.

This radiator should be installed onto a central heating system that has been cleaned/flushed and contains water treatment and inhibitors in accordance with BS7593.





All dimensions shown are in millimetres

All steel construction: **38mm x 10.5mm horizontal tubes
dia 38mm headers**

Connections: **1.2m long flying lead (2 core)**

Model	Height ± 2mm	Width ± 2mm	Finish	Output Watts	Weight kg
ZAE-120-050/GF	1210	500	painted	500	16.2
ZAE-150-040/GF	1562	400	painted	500	17.9
ZAE-150-050/GF	1562	500	painted	750	20.3
ZAE-180-060/GF	1826	600	painted	1000	27.0
ZAE-180-080/GF	1826	800	painted	1250	32.9

Issue 1.0



Tools & Material Required

Tape measure
Electric drill
Masonry drill bit - 8mm diameter
Spirit level
Stepladder (for taller radiators)

Key	Component	Qty
A	Wall Plug	4
B	Bracket	4
C	Screw - 6mm dia x 50mm	4
D	Washer	4
E	Grub Screw	4
F	Allen Key	1

Assembly Instructions

Accurately mark out bracket holes on wall using spirit level.

Drill four holes & insert wall plugs (A).

Attach brackets (B) to wall with screws (C) & washers (D).

Slide post on radiator into bracket (B) and secure in position by tightening grub screw (E) with allen key (F).

Electric radiators should be fitted only by a qualified electrician and must be earthed and connected to a cable outlet in the bathroom in accordance with I.E.E. wiring regulations. The electrical connection should be made to a '5 amp fused fixed spur' located outside the bathroom.

Note: for maintenance purposes, cable outlets must remain accessible and cables must not be buried directly into walls.

