

Central Heating Model STOCK listed in black	Height mm	Width mm	Finish	Output $\Delta T=50K$ Watts/Btu All outputs certified to EN 442	Max. Immersion rating Watts*	RRP (ex VAT)
Zehnder Aura 22mm tube						
PBN-080-040	775	400	white	287/979	200	£113
PBN-080-050	775	500	white	358/1221	200	£121
PBN-080-060	775	600	white	418/1426	300	£127
PBN-120-050	1217	500	white	512/1747	300	£143
PBN-120-060	1217	600	white	598/2040	400	£149
PBN-150-050	1469	500	white	631/2153	400	£168
PBN-150-060	1469	600	white	740/2525	500/400	£173
PBN-180-050	1856	500	white	788/2689	500/400	£182
PBN-180-060	1856	600	white	925/3156	600	£192
PBN-080-040-0346	775	400	Anthracite	287/979	200	£141
PBN-080-050-0346	775	500	Anthracite	358/1221	200	£151
PBN-080-060-0346	775	600	Anthracite	418/1426	300	£159
PBN-120-040-0346	1217	400	Anthracite	427/1457	300	£170
PBN-120-050-0346	1217	500	Anthracite	512/1747	300	£179
PBN-120-060-0346	1217	600	Anthracite	598/2040	400	£186
PBN-180-050-0346	1856	500	Anthracite	788/2689	500/400	£228
PBN-180-060-0346	1856	600	Anthracite	925/3156	600	£240
PBCN-060-040	607	400	chrome	151/515	100/n/a	£111
PBCN-060-080	607	800	chrome	280/955	150	£173
PBCN-060-100	607	1000	chrome	345/1177	200	£189
PBCN-080-040	775	400	chrome	186/635	100/n/a	£135
PBCN-080-050	775	500	chrome	230/785	150/120	£141
PBCN-080-060	775	600	chrome	271/925	150/120	£148
PBCN-100-050	1027	500	chrome	287/979	200	£159
PBCN-120-040	1217	400	chrome	278/949	200	£169
PBCN-120-050	1217	500	chrome	330/1126	200	£173
PBCN-120-060	1217	600	chrome	390/1331	300	£177
PBCN-150-040	1469	400	chrome	346/1181	300	£203
PBCN-150-050	1469	500	chrome	407/1389	300	£210
PBCN-150-060	1469	600	chrome	481/1641	300	£218
PBCN-180-040	1856	400	chrome	432/1473	300	£224
PBCN-180-050	1856	500	chrome	513/1750	300	£231
PBCN-180-060	1856	600	chrome	607/2071	400	£238
PBCN-180-075	1856	750	chrome	741/2527	500	£251

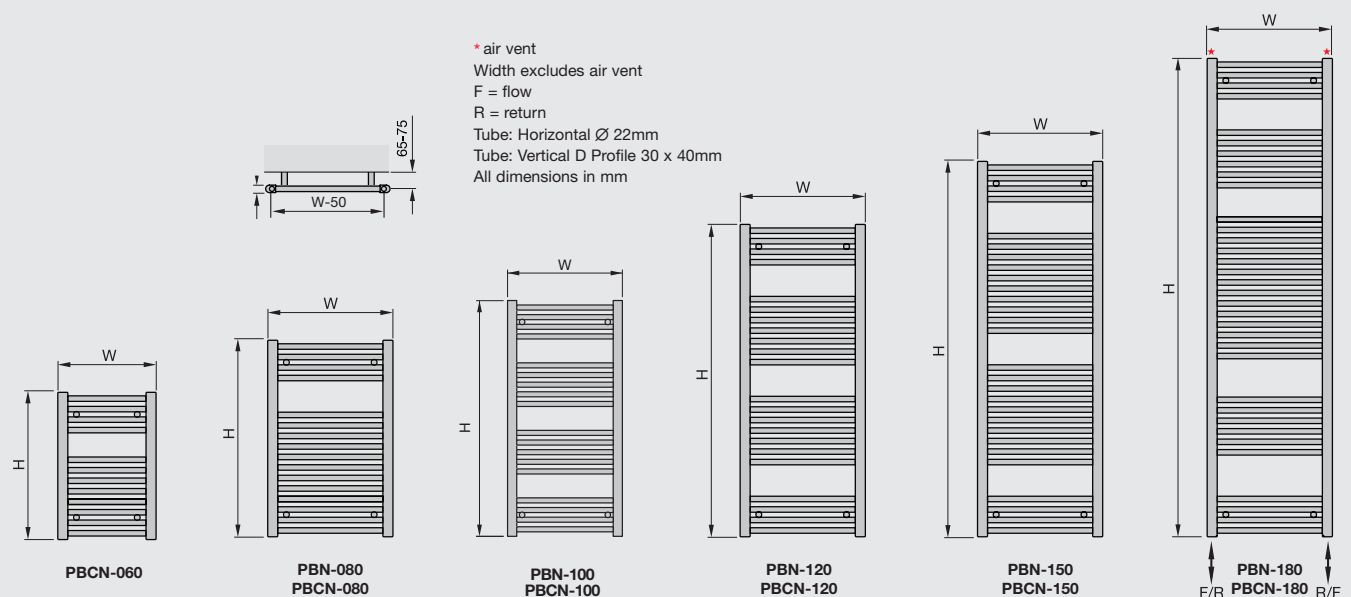
Max. working pressure: 10 bar

*Rating for simple immersion/CTEC or CTEW

Dual Energy: Self Fit - Additional cost to Central Heating model prices see page 70 for details

Optional wall brackets

Model	RRP (ex VAT)
926511	Set of 4 replacement brackets in white for PBN models £29
926518	Set of 4 replacement brackets in chrome for PBCN models £29



The complete compliant technical specifications can be found between pages 71 and 79.

Zehnder Aura



A classic ladder-style towel warmer in sizes to suit all popular heating sizes and types of décor. Easily connected to an existing central heating system, or fitted with a dual energy electric element for summer use. (See page 70 for details).



Suitable for dual energy installations. See page 70 for details.



Zehnder recommends VALVE-SET-1-CR. For more information see page 70.



PBN-120-050 TRAFFIC WHITE 9016

Electric Heating Model STOCK listed in black	Height mm	Width mm	Finish	Simple electric immersion heater Class II IPX4, Zones 1 and 2	RRP (ex VAT)
⚡ Zehnder Aura Electric 22mm tube					
PBEZ-080-40/F	821	400	white	300	£211
PBEZ-090-50/F	941	500	white	500	£216
PBEZ-120-50/F	1261	500	white	750	£255
PBEZ-120-60/F	1261	600	white	750	£255
PBEZ-150-60/F	1501	600	white	1000	£273
PBEZ-180-50/F	1901	500	white	1000	£303
PBECZ-080-40/F	821	400	chrome	150	£255
PBECZ-090-50/F	941	500	chrome	200	£261
PBECZ-120-50/F	1261	500	chrome	300	£307
PBECZ-120-60/F	1261	600	chrome	400	£311
PBECZ-180-50/F	1901	500	chrome	500	£382

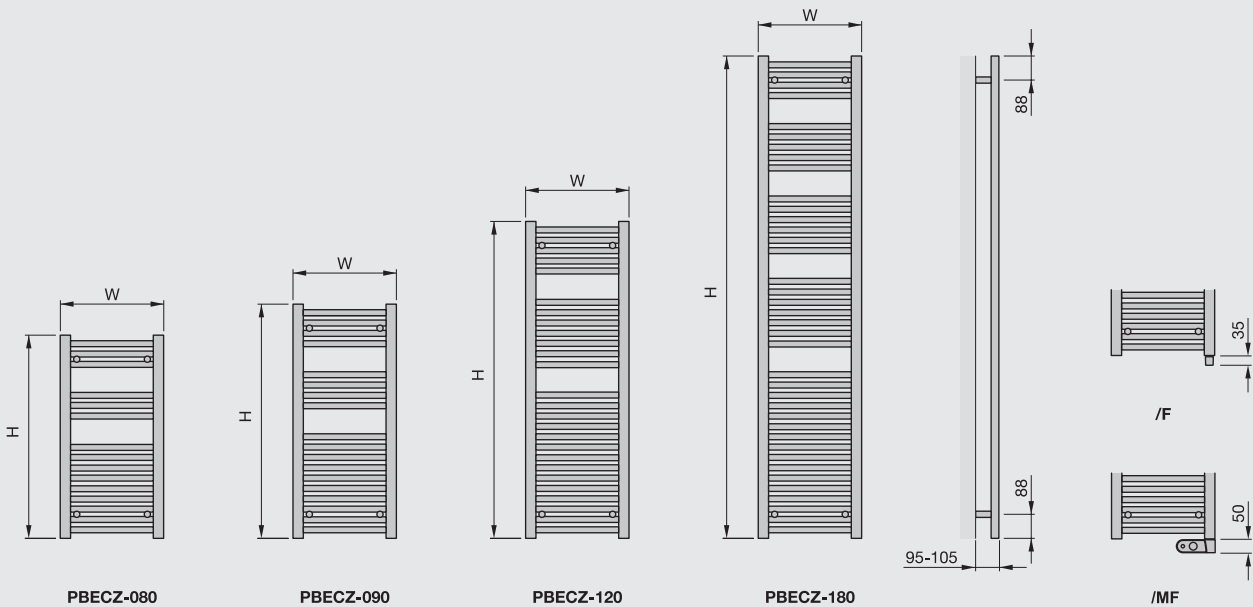
Electric Heating Model STOCK listed in black	Height mm	Width mm	Finish	Adjustable thermostatic controller Class II IPX4 with 7 day programmer	RRP (ex VAT)
⚡ Zehnder Aura Electric 22mm tube					
PBECZ-120-50/MF	1287	500	chrome	300	£357
PBECZ-120-60/MF	1287	600	chrome	400	£360

Height measurements of electric models include electric heaters

Optional wall brackets

Model	RRP (ex VAT)
926588	Set of 4 replacement brackets in chrome for PBECZ models £29

Tube: Horizontal Ø 22mm
 Tube: Vertical D Profile 30 x 40mm
 All dimensions in mm



Zehnder Aura Electric



A classic yet stylish chrome electric towel radiator which is perfect for modern homes. Choose from a factory-fitted simple immersion heater or an adjustable thermostatic controller.



Simple Immersion heater



Adjustable thermostatic controller.
Eco Design compliant with only the
adjustable thermostatic controller



PBECZ-120-50/MF CHROME 0008

Central Heating Model STOCK listed in black	Height mm	Width mm	Finish	Output $\Delta T=50K$ Watts/Btu All outputs certified to EN 442	Max. Immersion rating Watts*	RRP (ex VAT)
Zehnder Aura Bow 22mm tube						
PBTN-080-050 *	775	494	white	358/1221	200	£127
PBTN-080-060 *	775	595	white	418/1426	300	£130
PBTN-120-050 *	1217	494	white	512/1747	300	£154
PBTN-120-060 *	1217	595	white	598/2040	400	£159
PBTN-180-050 *	1856	494	white	788/2689	500/400	£196
PBTN-180-060 *	1856	595	white	925/3156	600	£205
PBTCN-080-050	775	494	chrome	230/785	150/120	£145
PBTCN-080-060	775	595	chrome	271/925	150/120	£151
PBTCN-120-050	1217	494	chrome	330/1126	200	£177
PBTCN-120-060	1217	595	chrome	390/1331	300	£182
PBTCN-180-050	1856	494	chrome	513/1750	300	£243
PBTCN-180-060	1856	595	chrome	607/2071	400	£251

Max. working pressure: 10 bar

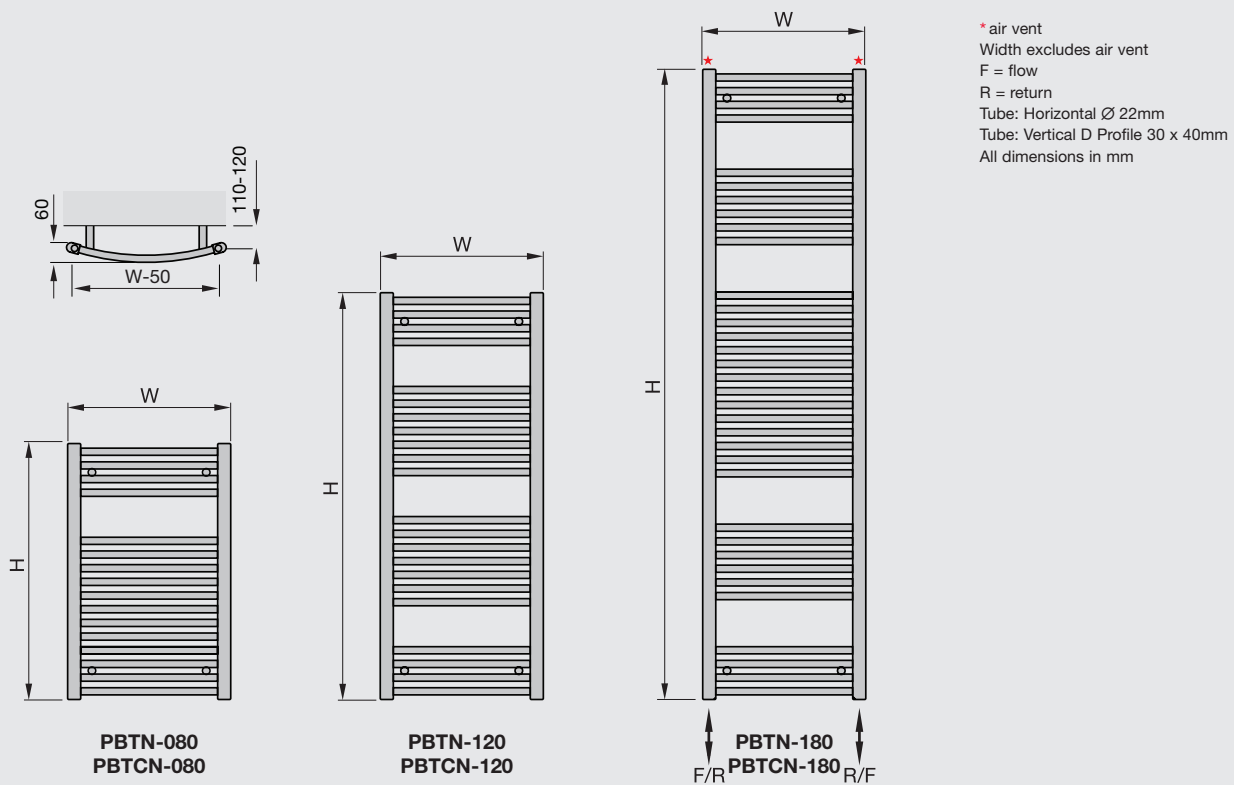
*Rating for simple immersion/CTEC or CTEW

*8 to 10 day lead time

Dual Energy: Self Fit - Additional cost to Central Heating model prices see page 70 for details

Optional wall brackets

Model		RRP (ex VAT)
926521	Set of 4 replacement brackets in white for PBTN models	£29
926528	Set of 4 replacement brackets in chrome for PBTCN models	£29



The complete compliant technical specifications can be found between pages 71 and 79.

Zehnder Aura Bow



A stylish, modern curved ladder radiator for warming towels. Suitable for connection to an existing central heating system or fitted with a dual energy electric element for summer usage. (See page 70 for details).



PBTCN-120-050 CHROME 0008



Suitable for dual energy installations. See page 70 for details.



Zehnder recommends VALVE-SET-1-CR. For more information see page 70.



PBTCN-080-060 CHROME 0008

Zehnder Aura (page 8)

Stock Models														
Model code	Height mm	Width mm	Finish	Overall Projection mm	Pipe Centres mm		Outputs $\Delta T=50K$		Outputs $\Delta T=30K$		n Exponent	Weight kg	Water Content litres	Max. Immersion Rating
					radiator	from wall	Watts	Btu	Watts	Btu				
PBN-080-040	775	400	white	95 to 105	350	65 to 75	287	979	152	519	1.23	4.8	3.1	200
PBN-080-050	775	500	white	95 to 105	450	65 to 75	358	1221	194	662	1.20	5.7	3.6	200
PBN-080-060	775	600	white	95 to 105	550	65 to 75	418	1426	228	777	1.19	6.5	4.1	300
PBN-120-050	1217	500	white	95 to 105	450	65 to 75	512	1747	273	932	1.23	8.1	5.2	300
PBN-120-060	1217	600	white	95 to 105	550	65 to 75	598	2040	319	1089	1.23	9.2	5.9	400
PBN-150-050	1469	500	white	95 to 105	450	65 to 75	631	2153	335	1143	1.24	10	6.5	400
PBN-150-060	1469	600	white	95 to 105	550	65 to 75	740	2525	395	1347	1.23	11.4	7.4	500/400
PBN-180-050	1856	500	white	95 to 105	450	65 to 75	788	2689	418	1427	1.24	12.1	8.0	500/400
PBN-180-060	1856	600	white	95 to 105	550	65 to 75	925	3156	491	1675	1.24	13.7	9.1	600
PBN-080-040-0346	775	400	anthracite	95 to 105	350	65 to 75	287	979	152	519	1.23	4.8	3.1	200
PBN-080-050-0346	775	500	anthracite	95 to 105	450	65 to 75	358	1221	194	662	1.2	5.7	3.6	200
PBN-080-060-0346	775	600	anthracite	95 to 105	550	65 to 75	418	1426	228	778	1.19	6.5	4.1	300
PBN-120-040-0346	1217	400	anthracite	95 to 105	350	65 to 75	427	1457	227	775	1.23	8.1	4.7	300
PBN-120-050-0346	1217	500	anthracite	95 to 105	450	65 to 75	512	1747	273	931	1.23	9.2	5.2	300
PBN-120-060-0346	1217	500	anthracite	95 to 105	450	65 to 75	598	2040	319	1088	1.23	10	5.9	400
PBN-180-050-0346	1856	500	anthracite	95 to 105	450	65 to 75	788	2689	418	1426	1.24	11.4	8	500/400
PBN-180-060-0346	1856	500	anthracite	95 to 105	450	65 to 75	925	3156	491	1675	1.24	12.1	9.1	600
PBCN-060-040	607	400	chrome	95 to 105	350	65 to 75	151	515	79	269	1.27	3.7	2.6	100/n/a
PBCN-060-080	607	800	chrome	95 to 105	750	65 to 75	280	955	149	508	1.24	5.9	3.4	150
PBCN-060-100	607	1000	chrome	95 to 105	950	65 to 75	345	1177	184	628	1.23	6.9	3.8	200
PBCN-080-040	775	400	chrome	95 to 105	350	65 to 75	186	635	96	328	1.27	4.8	3.1	100/n/a
PBCN-080-050	775	500	chrome	95 to 105	450	65 to 75	230	785	120	408	1.28	5.7	3.6	150/120
PBCN-080-060	775	600	chrome	95 to 105	550	65 to 75	271	925	143	488	1.25	6.5	4.1	150/120
PBCN-100-050	1027	500	chrome	95 to 105	450	65 to 75	287	979	149	508	1.28	7.4	4.5	200
PBCN-120-040	1217	400	chrome	95 to 105	350	65 to 75	278	949	142	485	1.28	7	4.5	200
PBCN-120-050	1217	500	chrome	95 to 105	450	65 to 75	330	1126	171	583	1.29	8.1	5.2	200
PBCN-120-060	1217	600	chrome	95 to 105	550	65 to 75	390	1331	203	692	1.28	9.2	5.9	300
PBCN-150-040	1469	400	chrome	95 to 105	350	65 to 75	346	1181	177	604	1.29	8.6	5.6	300
PBCN-150-050	1469	500	chrome	95 to 105	450	65 to 75	407	1389	211	718	1.29	10	6.5	300
PBCN-150-060	1469	600	chrome	95 to 105	550	65 to 75	481	1641	250	853	1.28	11.4	7.4	300
PBCN-180-040	1856	400	chrome	95 to 105	350	65 to 75	432	1473	221	754	1.30	10.4	7.1	300
PBCN-180-050	1856	500	chrome	95 to 105	450	65 to 75	513	1750	264	901	1.30	12.1	8.0	300
PBCN-180-060	1856	600	chrome	95 to 105	550	65 to 75	607	2071	316	1077	1.28	13.7	9.1	400
PBCN-180-075	1856	750	chrome	95 to 105	700	65 to 75	741	2527	387	1321	1.27	16.1	10.7	500

Max. Working Pressure: 10 bar Test House: WSP LAB
 Max. Working Temperature: 120°C Test House No: 1428

Zehnder Aura Bow (page 12)

Stock Models														
Model code	Height mm	Width mm	Finish	Overall Projection mm	Pipe Centres mm		Outputs $\Delta T=50K$		Outputs $\Delta T=30K$		n Exponent	Weight kg	Water Content litres	Max. Immersion Rating
					radiator	from wall	Watts	Btu	Watts	Btu				
PBTN-080-050	775	494	white	115 to 125	444	55 to 65	358	1221	194	662	1.20	5.7	3.6	200
PBTN-080-060	775	595	white	115 to 125	545	55 to 65	418	1426	228	777	1.19	6.5	4.1	300
PBTN-120-050	1217	494	white	115 to 125	444	55 to 65	512	1747	273	932	1.23	8.1	5.2	300
PBTN-120-060	1217	595	white	115 to 125	545	55 to 65	598	2040	319	1089	1.23	9.2	5.9	400
PBTN-180-050	1856	494	white	115 to 125	444	55 to 65	788	2689	418	1427	1.24	12.1	8.0	500/400
PBTN-180-060	1856	595	white	115 to 125	545	55 to 65	925	3156	491	1675	1.24	13.7	9.1	600
PBTCN-080-050	775	494	chrome	115 to 125	444	55 to 65	230	785	125	425	1.20	5.7	3.6	150/120
PBTCN-080-060	775	595	chrome	115 to 125	545	55 to 65	271	925	148	503	1.19	6.5	4.1	150/120
PBTCN-120-050	1217	494	chrome	115 to 125	444	55 to 65	330	1126	176	601	1.23	8.1	5.2	200
PBTCN-120-060	1217	595	chrome	115 to 125	545	55 to 65	390	1331	208	710	1.23	9.2	5.9	300
PBTCN-180-050	1856	494	chrome	115 to 125	444	55 to 65	513	1750	272	929	1.24	12.1	8.0	300
PBTCN-180-060	1856	595	chrome	115 to 125	545	55 to 65	607	2071	322	1099	1.24	13.7	9.1	400

Max. Working Pressure: 10 bar Test House: WSP LAB
 Max. Working Temperature: 120°C Test House No: 1428