



zehnder

always the
best climate

STUDIO
COLLECTION



Zehnder
Archibald

Move over Jeeves. This award-winning hottie caters perfectly for the modern home. Its sleek, sinuous form will ensure that your towels are served warm and dry. Designed by Leo Salzedo for Zehnder.

HEATED TOWEL RAILS FOR BATHROOMS

Zehnder Archibald

Formerly the Bisque Archibald



ABZ-120-50 : white & colours
ABZC-120-50 : chrome

height: 1230 mm
length: 525 mm

white output: 336 watts / 1146 btu
chrome output: 233 watts / 795 btu

+ VAT

white (RAL 9016):	£640	£768.00
colours:	£800	£960.00
chrome:	£876	£1,051.20

ABZ-120-50/AF : white & colours
ABZC-120-50/AF : chrome



height: 1230 mm
length: 525 mm

white output: 200 watts
colour output: 200 watts

chrome output: 200 watts

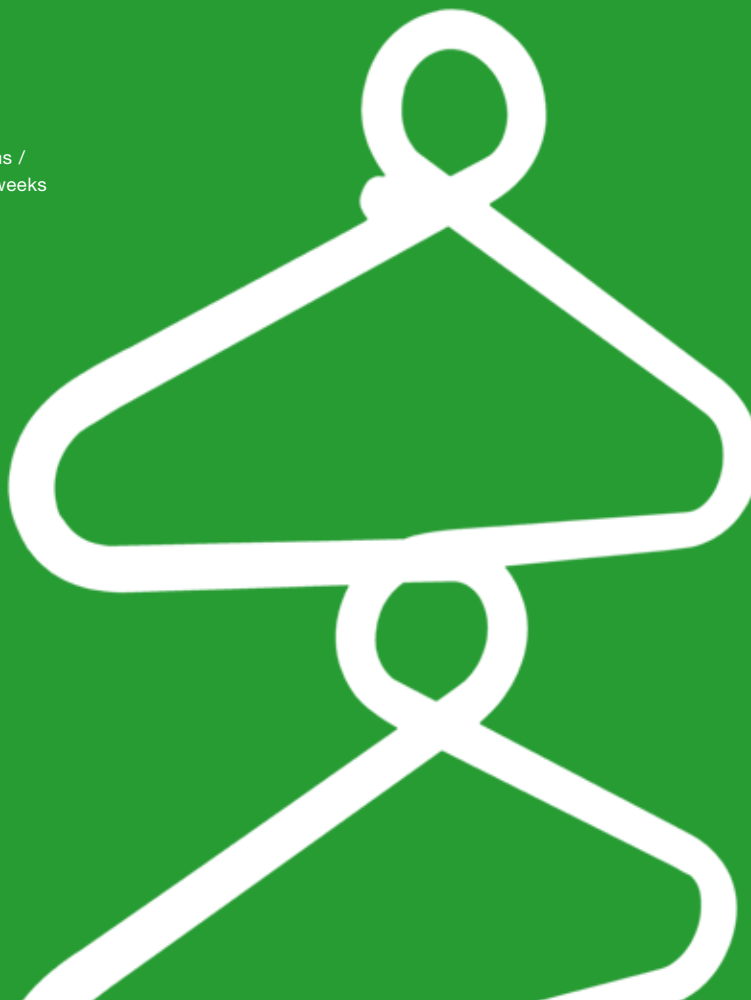
+ VAT

white (RAL 9016):	£863	£1,035.60
colours:	£1,079	£1,294.80
chrome:	£1,099	£1,318.80

For pipes from wall or the floor we recommend valve set 27 see page 181.

It's all in the detail...

- prices inclusive of VAT are shown in green
- prices highlighted by a tint box indicate stock items / white (RAL 9016) and colours: please allow 5 – 6 weeks
- projection from wall to front face: 104 – 108 mm



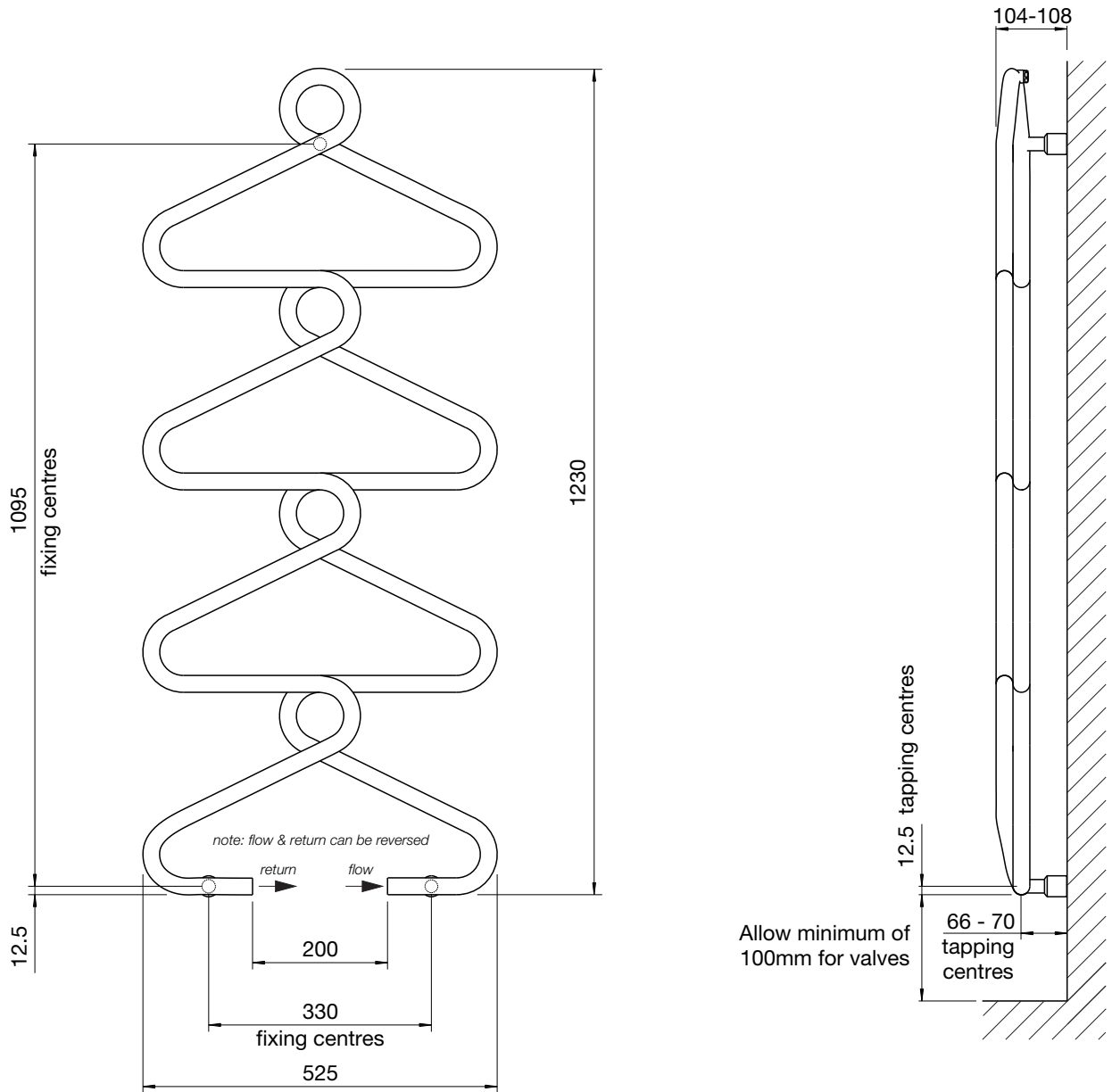
Designed by Leo Salzedo



formerly the
BISQUE ARCHIBALD

The complete  compliant technical specifications can be viewed by scanning here.





All dimensions shown are in millimetres

Test pressure: **18 BAR**
 Max working pressure: **12 BAR**
 Max working temperature: **95° C**
 All steel construction: **dia 25mm x 1.5mm tubes**
 Connections: **½ inch BSP middle tapplings**

Heat output determined in accordance with EN 442
 Test Laboratory: 1428WSP

Model	Height ± 2mm	Width ± 2mm	Finish	Output ΔT=50K		Output ΔT=30K		n	Weight kg	Water Content litres
				Watts	Btu	Watts	Btu			
ABZ-120-50	1230	525	painted	336	1146	180	614	1.22	4.6	2.3
ABZC-120-50	1230	525	chrome	233	795	123	420	1.25	4.6	2.3

Issue 1.0



Tools & Material Required

Suitable valves
PTFE tape
Silicone thread sealant
Tape measure
Allen key - 13mm & 12mm (when installing Zehnder valves)
Spanner - 17mm
Screwdriver - large flathead
Electric drill
Masonry drill bit
Spirit level
Stepladder (for taller radiators)

Key	Component	Qty
A	Air Vent - 1/4"	1
B	Wall Plug	3
C	Bracket	3
D	Screw, 7mm dia x 70mm	3
E	Grub Screw	6
F	Allen Key - 3mm	1

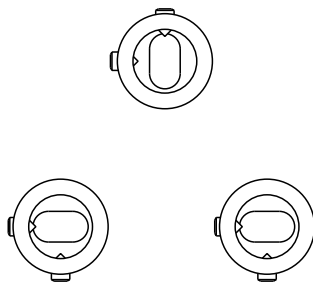


fig 1. bracket positions

Assembly Instructions

Sufficient PTFE tape must be applied to valve-tail threads prior to their installation.

Silicone thread sealant should be applied to all threaded components manufactured with 'O-rings'.

Fit valve tails, using correct size Allen key.

Fit air vent (A).

Accurately mark out bracket holes on wall using spirit level, to dimensions as shown on Technical Data Sheet.

Depending on radiator height, drill three holes to a minimum depth of 65mm & insert wall plugs (B).

Attach brackets (C) to wall with screws (D).

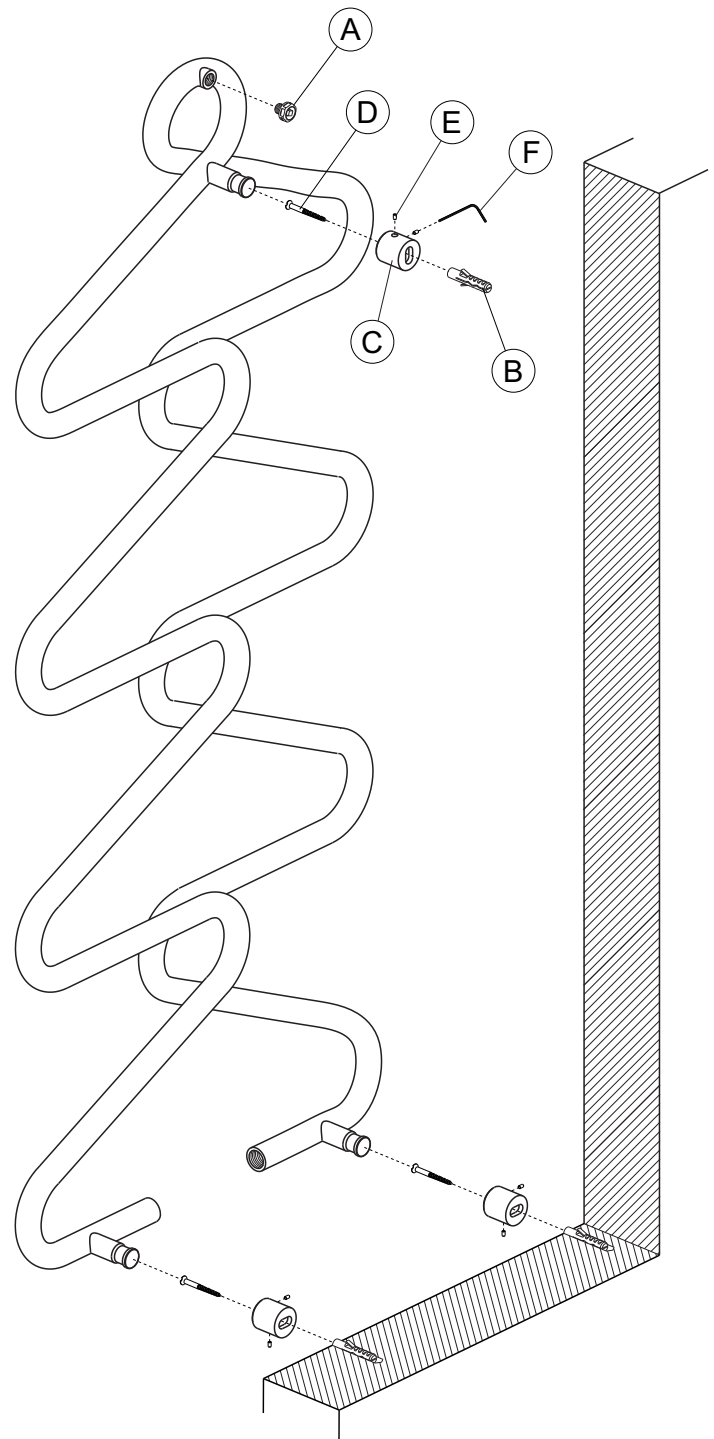
Position brackets (C) on wall with grub screw holes as shown in figure 1 for maximum rigidity before tightening screws (D).

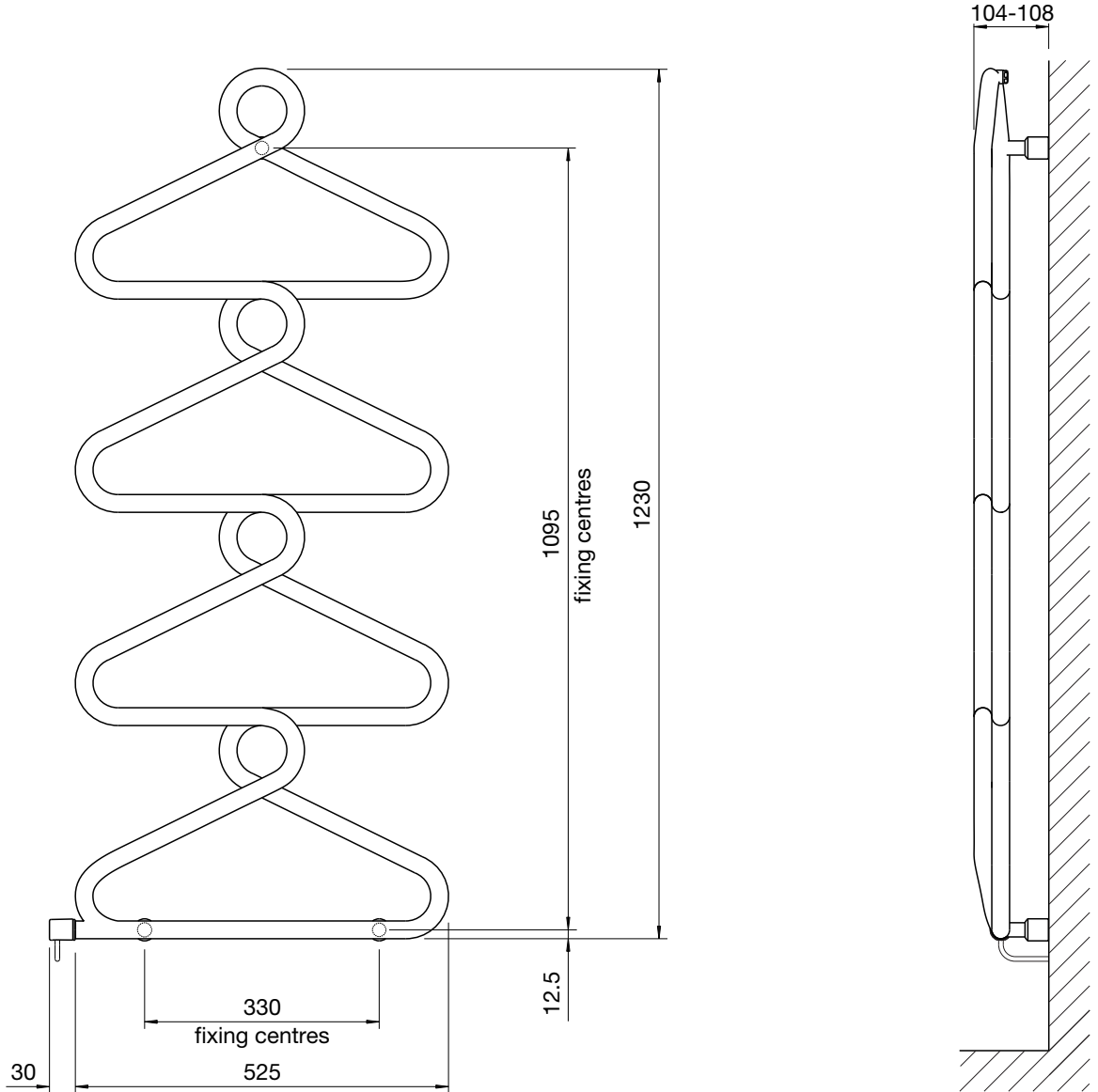
Hang radiator onto brackets (C) by inserting lugs into brackets (C).

Tighten grub screws (E) with Allen key (F).

Plumb radiator to heating circuit with flow opposite air vent.

This radiator should be installed onto a central heating system that has been cleaned/flushed and contains water treatment and inhibitors in accordance with BS7593.





All dimensions shown are in millimetres

All steel construction: **dia 25mm x 1.5mm tubes**
Connections: **1.2m long flying lead (2 core)**

* does not include immersion heater

Model	Height ± 2mm	Width* ± 2mm	Finish	Output Watts	Weight kg
ABZ-120-50/AF	1230	525	painted	200	7.2
ABZC-120-50/AF	1230	525	chrome	200	7.2

Issue 1.0



Tools & Material Required

Tape measure
Screwdriver - large flathead
Electric drill
Masonry drill bit
Spirit level
Stepladder (for taller radiators)

Key	Component	Qty
A	Wall Plug	3
B	Bracket	3
C	Screw, 7mm dia x 70mm	3
D	Grub Screw	6
E	Allen Key - 3mm	1

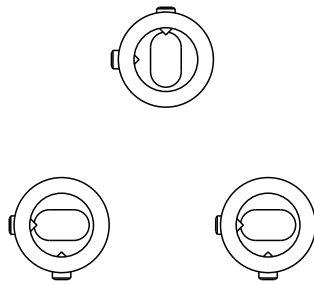


fig 1. bracket positions

Assembly Instructions

Accurately mark out bracket holes on wall using spirit level, to dimensions as shown on Technical Data Sheet.

Depending on radiator height, drill three holes to a minimum depth of 65mm & insert wall plugs (A).

Attach brackets (B) to wall with screws (C).

Position brackets (B) on wall with grub screw holes as shown in figure 1 for maximum rigidity before tightening screws (C).

Hang radiator onto brackets (B) by inserting lugs into brackets (B).

Tighten grub screws (D) with Allen key (E).

Electric radiators should be fitted only by a qualified electrician and must be earthed and connected to a cable outlet in the bathroom in accordance with I.E.E. wiring regulations. The electrical connection should be made to a '5 amp fused fixed spur' located outside the bathroom.

Note: for maintenance purposes, cable outlets must remain accessible and cables must not be buried directly into walls.

