

Zehnder Alura



Stocked Items

In stock items highlighted in black	Height mm	Width mm	Finish	No. of sections	With factory fitted controls, IPX4 Zone 1 Bath, Zone 2 Shower, Class II Electric Rating (Watts)	Weight kg	RRP (ex VAT)	RRP (inc 20% VAT)
Zehnder Alura								
ALE-050-036/F	575	377	white*	3	500	7	£379	£454.80
ALE-075-046/F	575	477	white*	4	750	9	£413	£495.60
ALE-100-056/F	575	577	white*	5	1000	11	£466	£559.20
ALE-125-076/F	575	777	white*	7	1250	15	£546	£655.20
ALE-150-086/F	575	877	white*	8	1500	17	£605	£726.00
ALE-200-116/F	575	1177	white*	11	2000	23	£743	£891.60

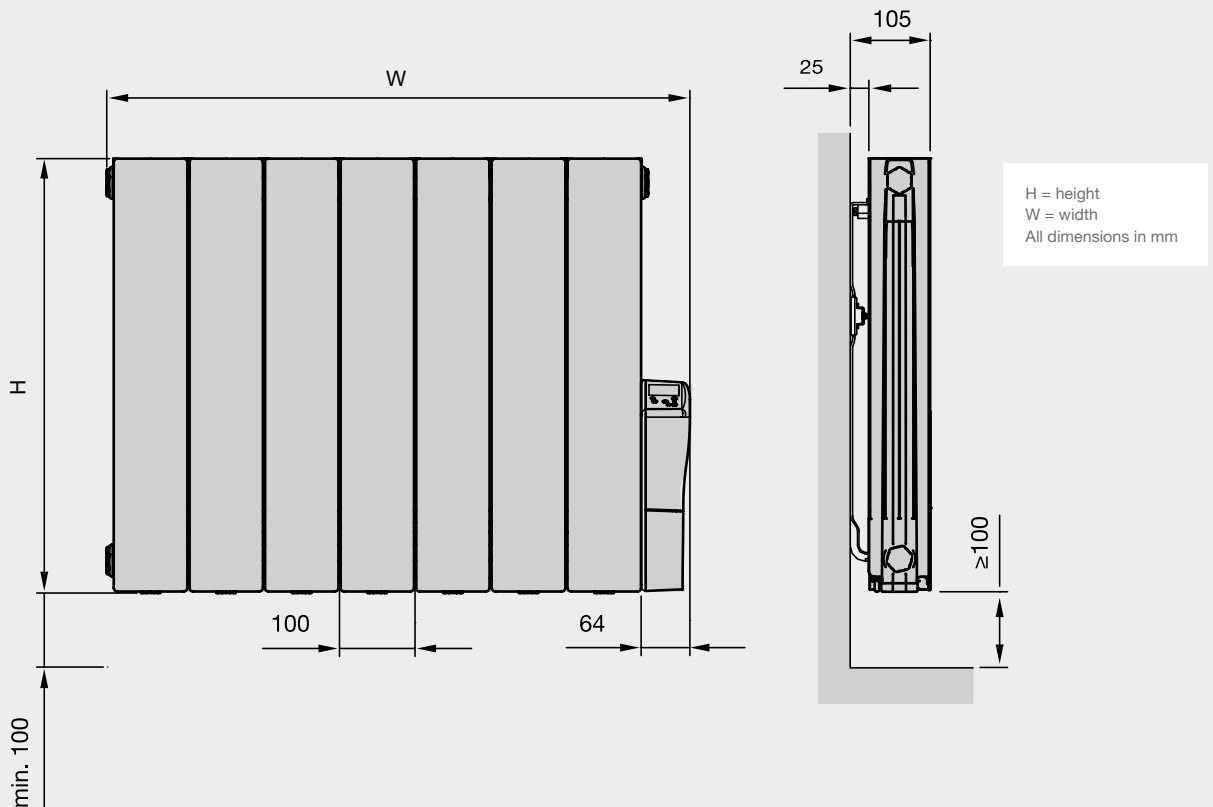
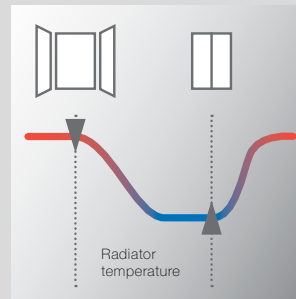
*white (RAL 9010)

Temperature controller: Backlit LCD digital display screen gives complete control. Temperature can be adjusted in 0.5°C increments. 3 pre-set programmes and 5 mode settings. Open window detection system and parental lock. 7 day programmable function.

Open Window detection

The Integral control unit recognises if a window has been opened for an extended period and switches the radiator off. Once the window is closed, the radiator returns to normal operation.

- Temperature changes are quickly recognised via the external temperature sensor
- The integral thermostat proactively reacts to sensor information; delivering the perfect indoor climate
- Intuitive radiator which automatically switches off if a window is open for an extended period
- An intelligent heating solution which lowers costs and energy consumption



The **Alura**, is a fast response electric aluminium radiator with a high heat output despite its compact size. It is lightweight and easy to install, plus the straightforward digital controls make it easy and economical to use. H shaped mounting brackets with a removable spirit level and locking system are also included.

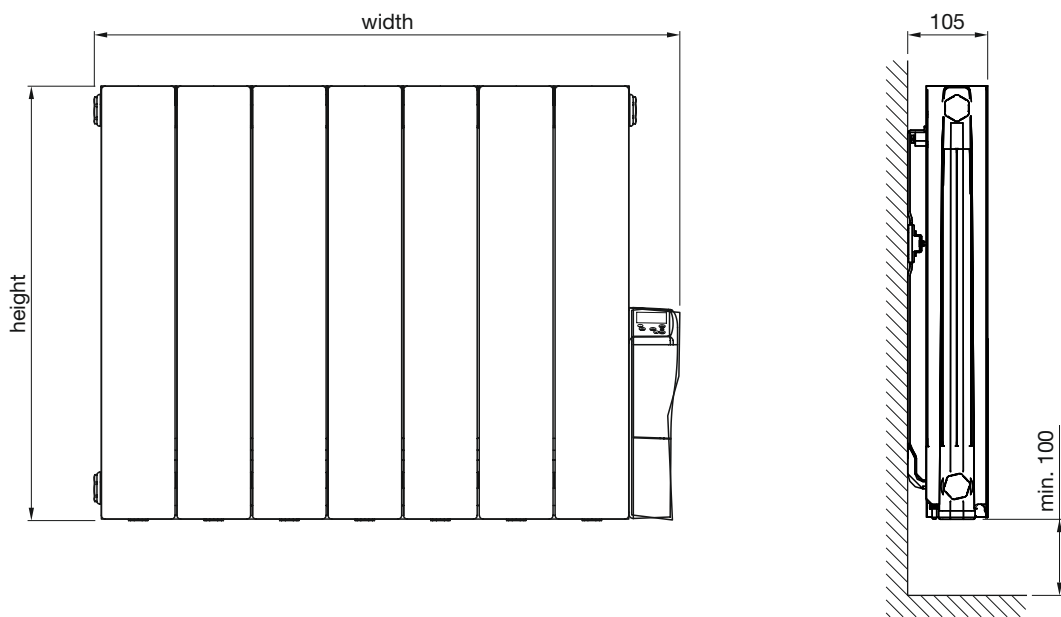


Alura Control

ALE-100-056/F PURE WHITE 9010

The complete CE compliant technical specifications can be viewed by scanning here.





All dimensions shown are in millimetres

Construction: **aluminium extrusion**
Connections: **1.2m long flying lead (2 core)**

* does not include immersion heater

Model	Height ± 2mm	Width ± 2mm	Finish	No. of Sections	Output Watts	Weight kg
ALE-050-036/F	575	377	painted	3	500	7.0
ALE-075-046/F	575	477	painted	4	750	9.0
ALE-100-056/F	575	577	painted	5	1000	11.0
ALE-125-076/F	575	777	painted	7	1250	15.0
ALE-150-086/F	575	877	painted	8	1500	17.0
ALE-200-116/F	575	1177	painted	11	2000	23.0

Issue 1.0



Tools & Material Required

Screwdriver
Electric drill
Masonry drill bit

Key	Component	Qty
A	Horizontal Levelling Piece	1
B	Bracket	2
C	Spirit Level	1
D	Wall Plug	4
E	Fixing Lug	2
F	Screw, 6mm dia x 50mm	4

Assembly Instructions

Attach horizontal levelling piece (A) to two brackets (B).

Accurately mark out bracket holes on wall using spirit level (C), to dimensions as shown on Technical Data Sheet.

Drill four holes to a minimum depth of 65mm & insert wall plugs (D).

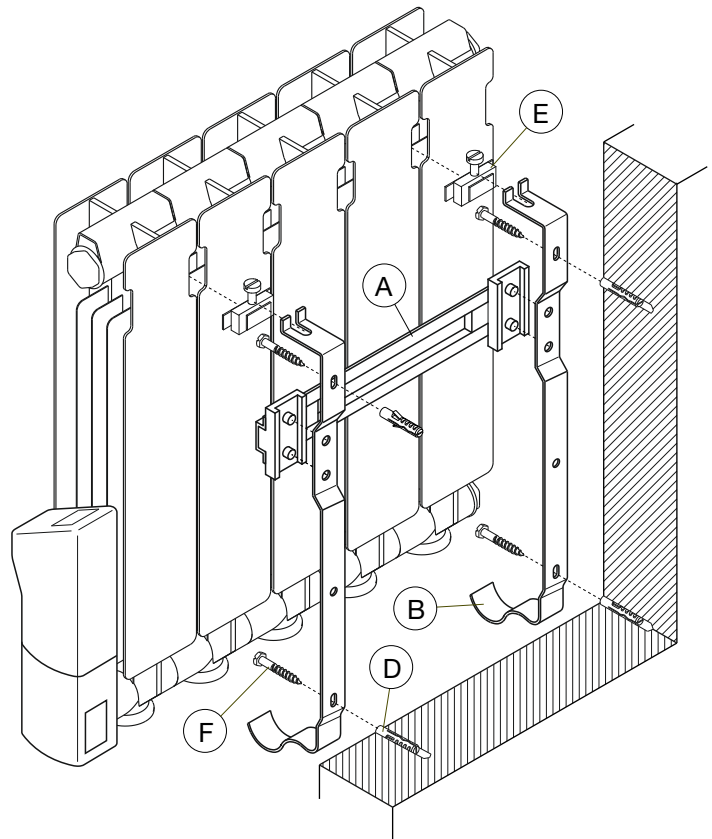
Fix brackets (B) to wall with screws (F) then remove horizontal levelling piece (A) and spirit level (C).

Attach fixing lug (E) to rear of radiator.

Hang bottom of radiator onto bottom of bracket (B) then push top of radiator back until lug (E) locates in top of bracket (B). Tighten screw in lug (E) to secure radiator in place

Electric radiators should be fitted only by a qualified electrician and must be earthed and connected to a cable outlet in the bathroom in accordance with I.E.E. wiring regulations. The electrical connection should be made to a '5 amp fused fixed spur' located outside the bathroom.

Note: for maintenance purposes, cable outlets must remain accessible and cables must not be buried directly into walls.



* Wall Plugs, Screws & Washers not supplied

