

Zehnder Aluminium Garda S90



Stocked Items

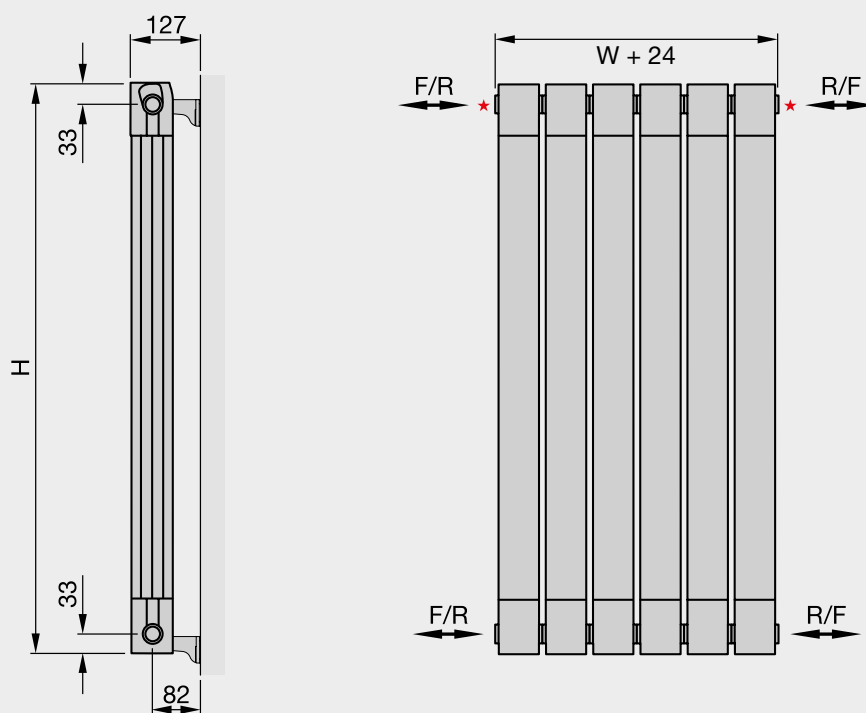
In stock items highlighted in black	Height mm	Width mm	Number of sections	Finish	Overall Projection mm	Output $\Delta T=50^{\circ}\text{C}$ Watts/btu All outputs certified to EN 442	RRP (ex VAT)	RRP (inc 20% VAT)
Zehnder Aluminium Garda S90								
GAR-Z-900\4	966	320	4	white*	127	728/2484	£312	£374.40
GAR-Z-900\6	966	480	6	white*	127	1092/3726	£468	£561.60
GAR-Z-1400\4	1466	320	4	white*	127	1000/3412	£440	£528.00
GAR-Z-1400\6	1466	480	6	white*	127	1500/5118	£660	£792.00
GAR-Z-1800\3	1866	240	3	white*	127	900/3071	£390	£468.00
GAR-Z-1800\4	1866	320	4	white*	127	1200/4094	£520	£624.00
GAR-Z-1800\5	1866	400	5	white*	127	1500/5118	£650	£780.00
GAR-Z-1800\6	1866	480	6	white*	127	1800/6142	£780	£936.00

*White (RAL 9010). Colour finishes are not available. Width excludes air vent and bushes (Additional 24mm)

The Aluminium Garda S90 is a high output, low water content, extruded aluminium radiator, sectional in manufacture, supplied with a bracket pack comprised of wall fixing brackets, plugs, bushes and an air vent.

Joining nipples, gaskets and an assembly tool must be purchased separately.

Accessories			
Model		RRP (ex VAT)	RRP (inc 20% VAT)
A32/1	Gasket for nipples, plugs and adaptors for Aluminium Garda S90 - Black.	£1.80	£2.16
A33/1	1 inch steel joining nipple for Aluminium Garda S90.	£3.70	£4.44
A82	Installation bush and bracket pack for Aluminium Garda S90.	£32	£38.40
A36/4	Towel rail for 4 section Aluminium Garda S90. White RAL9010	£76	£91.20
A36/5	Towel rail for 5 section Aluminium Garda S90. White RAL9010	£89	£106.80
A36/6	Towel rail for 6 section Aluminium Blitz Super and Aluminium Garda S90. White RAL9010	£97	£116.40



*1/2" air vent
Width excludes air vent
F = flow
R = return
H = height
W = width
All dimensions in mm



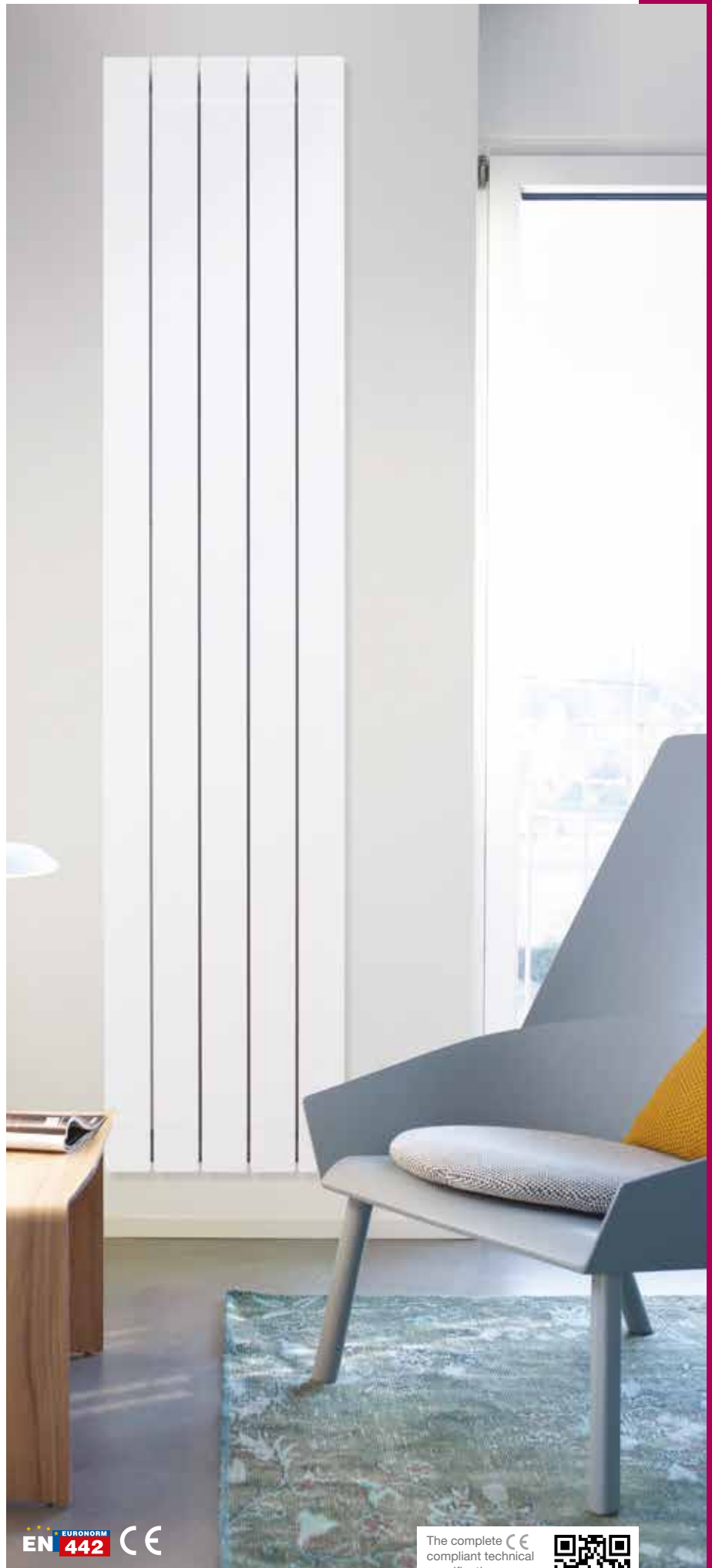
Zehnder recommends VALVE-SET-10-CR.
For more information see page 182.


Space-saving, economical and efficient, the vertical **Aluminium Garda S90** radiator is fast to respond and easy to handle. It has the practical option of a towel bar.

By **fondital**



Aluminum Garda S90 Towel Bar

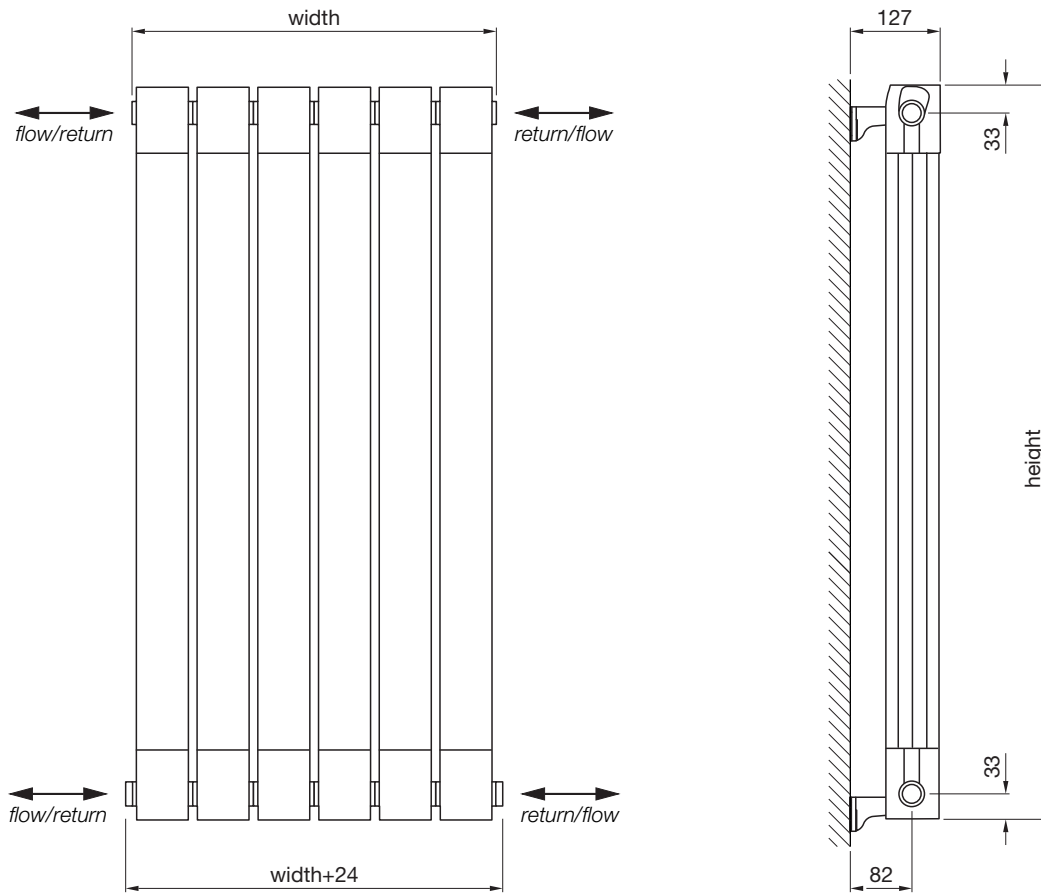


The complete  compliant technical specifications can be viewed by scanning here.



Zehnder Aluminium Garda S90

always the
best climate **zehnder**



All dimensions shown are in millimetres

Test pressure: **24 BAR**
 Max working pressure: **16 BAR**
 Max working temperature: **120° C**
 All aluminium construction: **extruded sections**
 Connections: **½ inch BSP opposite end tapings**

Not suitable for use on domestic hot water system

Heat output determined in accordance with EN 442
 Test Laboratory: CETIAT, Test House No: 1623

* width excudes air vent & bushes (additional 24mm)

Model	Height ± 2mm	Width* ± 2mm	No. of Sections	Finish	Pipe Centres ± 2mm	Output ΔT=50K		Output ΔT=30K		n	Weight kg	Water Content litres
						Watts	Btu	Watts	Btu			
GAR-Z-900/4	966	320	4	painted	n/a	728	2484	364	1242	1.36	7.0	1.7
GAR-Z-900/6	966	480	6	painted	n/a	1092	3726	545	1860	1.36	10.4	2.6
GAR-Z-1400/4	1466	320	4	painted	n/a	1000	3412	499	1703	1.36	9.8	2.5
GAR-Z-1400/6	1466	480	6	painted	n/a	1500	5118	749	2555	1.36	14.7	3.7
GAR-Z-1800/3	1866	240	3	painted	n/a	900	3071	450	1535	1.36	10.2	2.3
GAR-Z-1800/4	1866	320	4	painted	n/a	1200	4094	600	2047	1.36	13.6	3.1
GAR-Z-1800/5	1866	400	5	painted	n/a	1500	5118	750	2559	1.36	17.0	3.9
GAR-Z-1800/6	1866	480	6	painted	n/a	1800	6142	900	3071	1.36	20.3	4.7

Issue 1.0



Zehnder Group UK Ltd

Concept House
 Watchmoor Point
 Camberley
 Surrey GU15 3AD

Tel: 01276 605800
 Fax: 01276 24058
 retailsales@zehnder.co.uk
 www.zehnder.co.uk

Registered in England: 2296696

Zehnder Aluminium Garda S90

always the
best climate

zehnder

Tools & Material Required

Suitable valves
PTFE tape
Silicone thread sealant
Tape measure
Allen key - 13mm & 12mm (when installing Zehnder valves)
Spanner - 13mm & 14mm
Electric drill
Masonry drill bit
Spirit level
Stepladder for taller models

Key	Component	Qty
A	Air Vent - 1/2"	1
B	Wall Plug*	4
C	Bracket	4
D	Screw - Hex Head, 6mm dia x 50mm*	4
E	Washer*	4

* Wall Plugs, Screws & Washers not supplied

Assembly Instructions

Sufficient PTFE tape must be applied to valve-tail threads prior to their installation.
Silicone thread sealant should be applied to all threaded components manufactured with 'O-rings'.

Fit valve tails, using correct size Allen key.

Fit air vent (A).

Accurately mark out bracket holes on wall using spirit level.

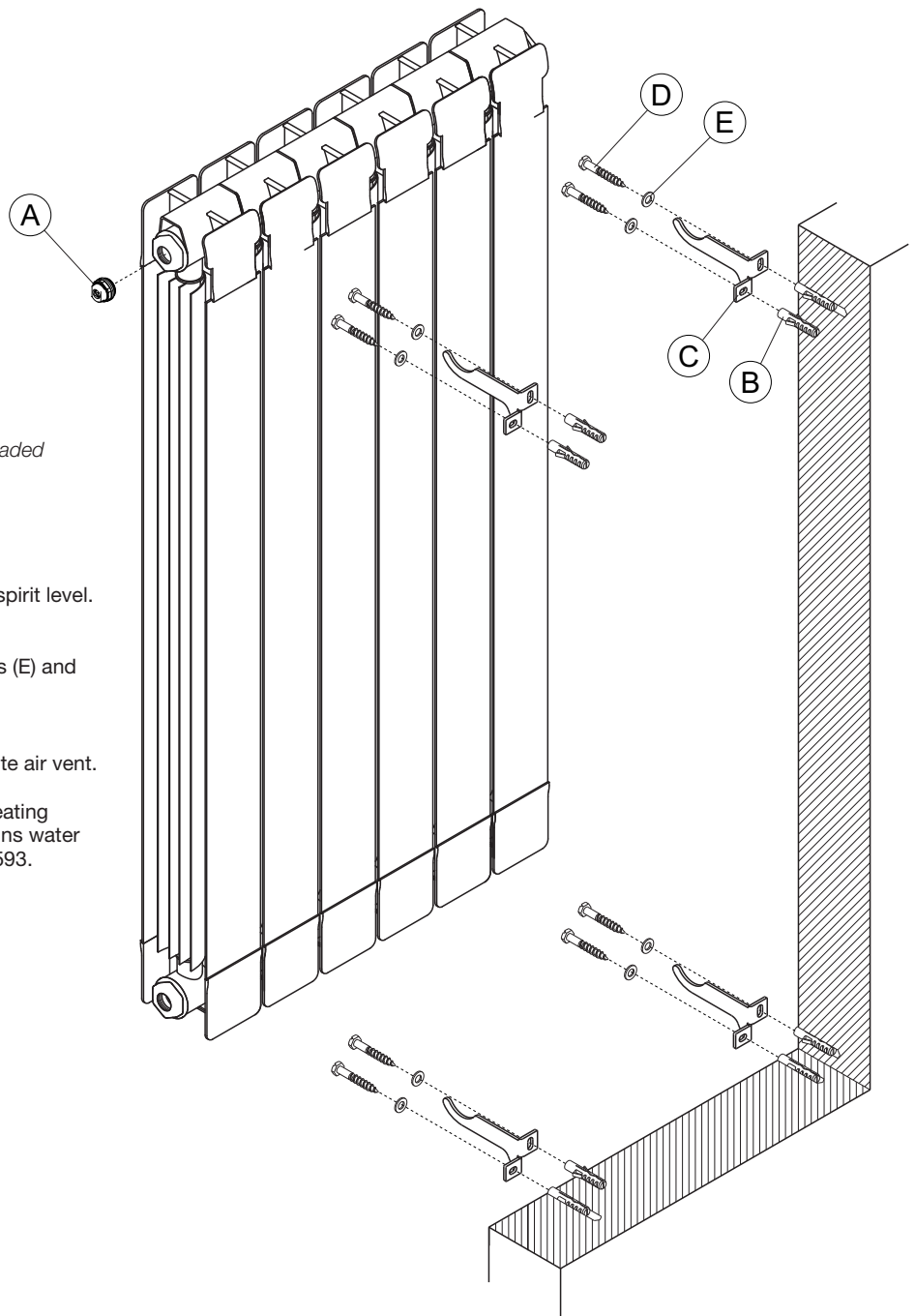
Drill four holes & insert wall plugs (C).

Screw brackets (D) into wall plugs (C) with screws (E) and washers (F).

Slide radiator on to brackets (D).

Plumb radiator to heating circuit with flow opposite air vent.

This radiator should be installed onto a central heating system that has been cleaned/flushed and contains water treatment and inhibitors in accordance with BS7593.



Issue 1.0



Zehnder Group UK Ltd

Concept House
Watchmoor Point
Camberley
Surrey GU15 3AD

Tel: 01276 605800
Fax: 01276 24058
retailsales@zehnder.co.uk
www.zehnder.co.uk

Registered in England: 2296696