

Zehnder

Aluminium Blitz Super



Stocked Items

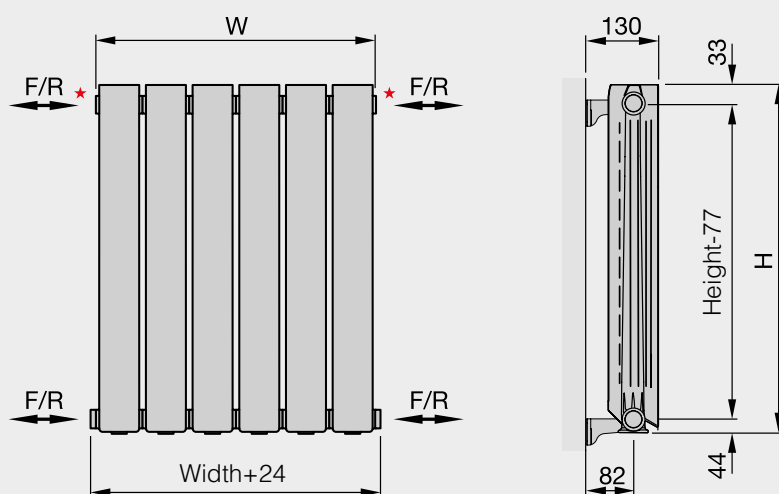
In stock items highlighted in black	Height mm	Width mm	Number of sections	Finish	Overall Projection mm	Output ΔT=50°C Watts/btu All outputs certified to EN 442	RRP (ex VAT)	RRP (inc 20% VAT)
Zehnder Blitz Super horizontal								
BS350/100-6	395	480	6	white*	130	546/1863	£216	£259.20
BS350/100-8	395	640	8	white*	130	728/2484	£288	£345.60
BS350/100-10	395	800	10	white*	130	910/3105	£360	£432.00
BS350/100-12	395	960	12	white*	130	1092/3726	£432	£518.40
BS350/100-14	395	1120	14	white*	130	1274/4347	£504	£604.80
BS500/100-6	545	480	6	white*	130	737/2516	£222	£266.40
BS500/100-8	545	640	8	white*	130	983/3354	£296	£355.20
BS500/100-10	545	800	10	white*	130	1229/4193	£370	£444.00
BS500/100-12	545	960	12	white*	130	1475/5032	£444	£532.80
BS500/100-14	545	1120	14	white*	130	1721/5871	£518	£621.60
BS600/100-6	645	480	6	white*	130	848/2895	£228	£273.60
BS600/100-8	645	640	8	white*	130	1131/3860	£304	£364.80
BS600/100-10	645	800	10	white*	130	1414/4824	£380	£456.00
BS600/100-12	645	960	12	white*	130	1697/5789	£456	£547.20
BS600/100-14	645	1120	14	white*	130	1980/6754	£532	£638.40

*White (RAL 9010). Colour finishes are not available. Width excludes air vent and bushes (Additional 24mm)

The Blitz Super is a high output, low water content, die-cast aluminium radiator, sectional in manufacture, supplied with a bracket pack comprising wall fixing brackets, plugs, bushes and an air vent.

Joining nipples, gaskets and an assembly tool must be purchased separately.

Accessories			
Model		RRP (ex VAT)	RRP (inc 20% VAT)
905110	Aluminium assembly tool 300	£69	£82.80
905120	Aluminium assembly tool 600	£69	£82.80
905130	Aluminium assembly tool 900	£69	£82.80
905140	Aluminium assembly tool 1200	£69	£82.80
A2/1	1 inch steel joining nipple - for use with Aluminium Blitz Super	£3.40	£4.08
A10/1	Joining nipple gasket for joining the Aluminium Blitz Super. White RAL 9010	£0.80	£0.96
A11/1	Gasket for end plugs for Aluminium Blitz Super - Green	£1.80	£2.16
A81	Installation bush and bracket pack for Aluminium Blitz Super	£32	£38.40
A80	Service assembly kit for the the Aluminium Blitz Super radiator	£31	£37.20



*1/2" air vent
Width excludes air vent
F = flow
R = return
H = height
W = width
All dimensions in mm

Connections: 4 x 1/2", suitable for bottom opposite ends (BOE), top bottom opposite ends (TBOE) or top bottom same end (TBSE).

Aluminium radiators give a fast response and comfortable heat with high thermal efficiency. Energy saving and easy to handle plus corrosion resistant, the **Blitz Super** is a modern radiator in every sense.

By **fondital**



Zehnder recommends VALVE-SET-10-CR.



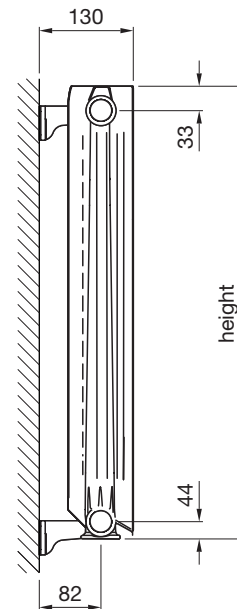
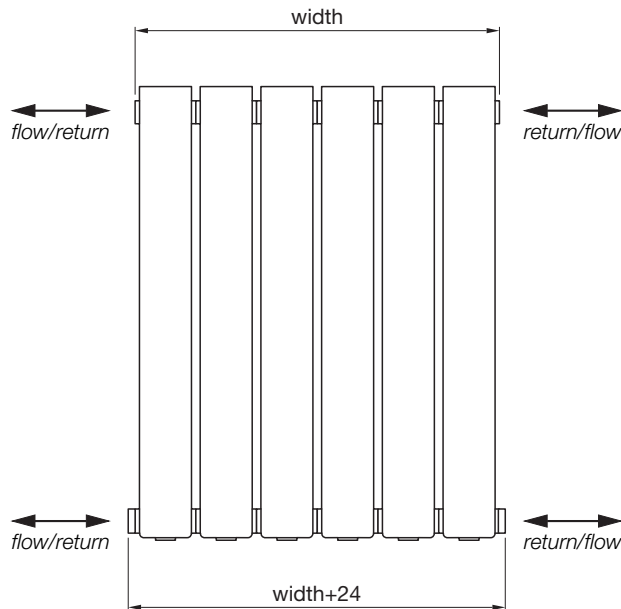
The complete CE compliant technical specifications can be viewed by scanning here.



Zehnder Aluminium Blitz Super

always the
best climate

zehnder



All dimensions shown are in millimetres

Test pressure: **24 BAR**
 Max working pressure: **16 BAR**
 Max working temperature: **120° C**
 All aluminium construction: **extruded sections**
 Connections: **½ inch BSP opposite end tapings**

Not suitable for use on domestic hot water system

Heat output determined in accordance with EN 442
 Test Laboratory: Laboratorio Misura Ricerche Termotechniche, Test House No: 1695

* width excludes air vent & bushes (additional 24mm)

Model	Height ± 2mm	Width* ± 2mm	No. of Sections	Finish	Pipe Centres ± 2mm	Output ΔT=50K		Output ΔT=30K		n	Weight kg	Water Content litres
						Watts	Btu	Watts	Btu			
BS350/100-6	395	480	6	painted	n/a	554	1890	288	983	1.28	5.8	1.4
BS350/100-8	395	640	8	painted	n/a	739	2521	384	1310	1.28	7.7	1.9
BS350/100-10	395	800	10	painted	n/a	924	3153	480	1638	1.28	9.6	2.4
BS350/100-12	395	960	12	painted	n/a	1109	3784	576	1965	1.28	11.5	2.9
BS350/100-14	395	1120	14	painted	n/a	1294	4415	672	2293	1.28	13.4	3.4
BS500/100-6	545	480	6	painted	n/a	744	2539	382	1303	1.30	7.8	1.6
BS500/100-8	545	640	8	painted	n/a	992	3385	510	1740	1.30	10.4	2.2
BS500/100-10	545	800	10	painted	n/a	1240	4231	637	2173	1.30	13.0	2.7
BS500/100-12	545	960	12	painted	n/a	1488	5977	764	2607	1.30	15.6	3.2
BS500/100-14	545	1120	14	painted	n/a	1736	5923	892	3044	1.30	18.2	3.8
BS600/100-6	645	480	6	painted	n/a	861	2938	443	1512	1.30	8.9	1.7
BS600/100-8	645	640	8	painted	n/a	1148	3917	590	2013	1.30	11.9	2.3
BS600/100-10	645	800	10	painted	n/a	1435	4896	738	2518	1.30	14.9	2.9
BS600/100-12	645	960	12	painted	n/a	1722	5875	886	3023	1.30	17.9	3.5
BS600/100-14	645	1120	14	painted	n/a	2009	6855	1033	3525	1.30	20.9	4.1

Issue 1.0



Zehnder Group UK Ltd

Concept House
 Watchmoor Point
 Camberley
 Surrey GU15 3AD

Tel: 01276 605800
 Fax: 01276 24058
 retailsales@zehnder.co.uk
 www.zehnder.co.uk

Registered in England: 2296696

Zehnder Aluminium Blitz Super

always the
best climate

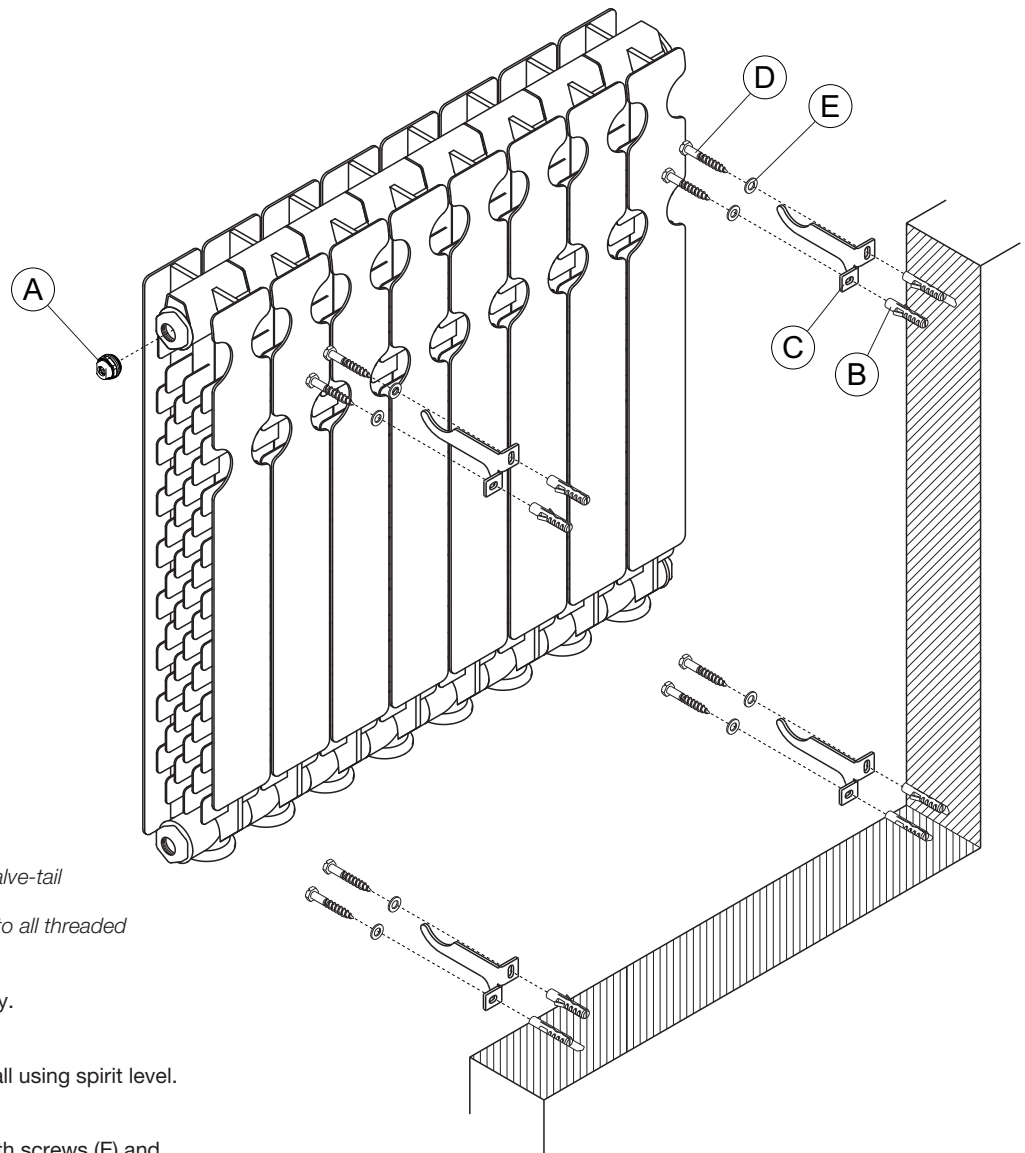
zehnder

Tools & Material Required

Suitable valves
PTFE tape
Silicone thread sealant
Tape measure
Allen key - 13mm & 12mm (when installing Zehnder valves)
Spanner - 13mm & 14mm
Electric drill
Masonry drill bit
Spirit level
Stepladder for taller models

Key	Component	Qty
A	Air Vent - 1/2"	1
B	Wall Plug*	4
C	Bracket	4
D	Screw - Hex Head, 6mm dia x 50mm*	4
E	Washer*	4

* Wall Plugs, Screws & Washers not supplied



Assembly Instructions

Sufficient PTFE tape must be applied to valve-tail threads prior to their installation.
Silicone thread sealant should be applied to all threaded components manufactured with 'O-rings'.

Fit valve tails, using correct size Allen key.

Fit air vent (A).

Accurately mark out bracket holes on wall using spirit level.

Drill four holes & insert wall plugs (C).

Screw brackets (D) into wall plugs (C) with screws (E) and washers (F).

Slide radiator on to brackets (D).

Plumb radiator to heating circuit with flow opposite air vent.

This radiator should be installed onto a central heating system that has been cleaned/flushed and contains water treatment and inhibitors in accordance with BS7593.

Issue 1.0



Zehnder Group UK Ltd

Concept House
Watchmoor Point
Camberley
Surrey GU15 3AD

Tel: 01276 605800
Fax: 01276 24058
retailsales@zehnder.co.uk
www.zehnder.co.uk

Registered in England: 2296696