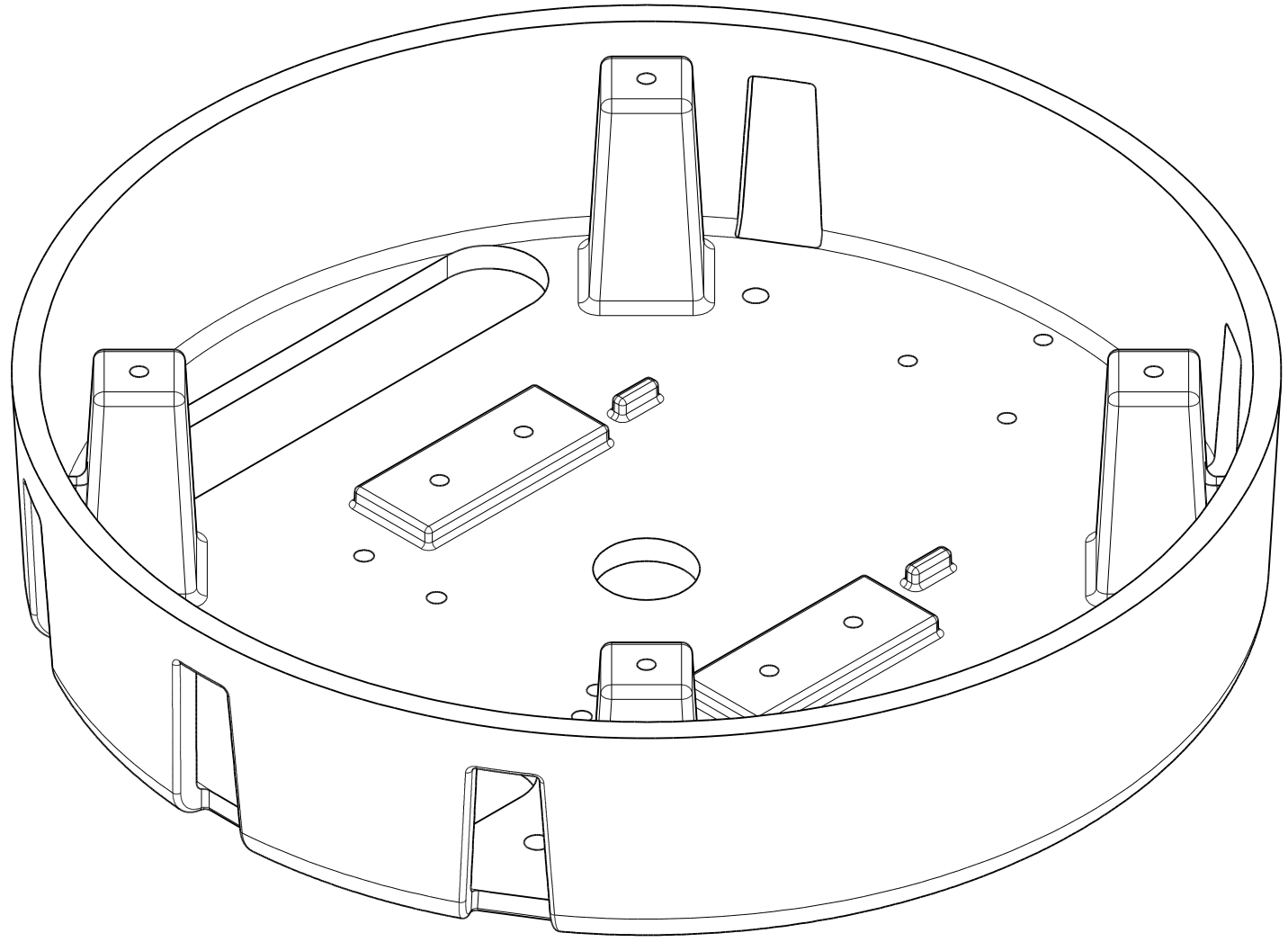
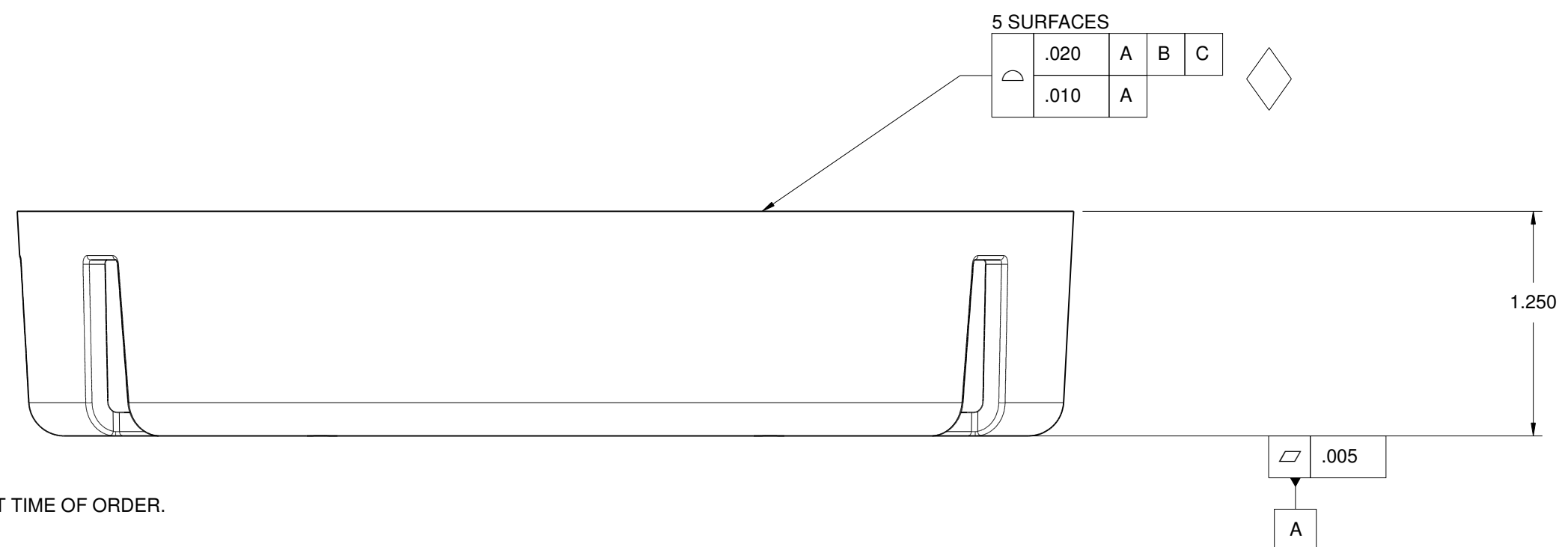
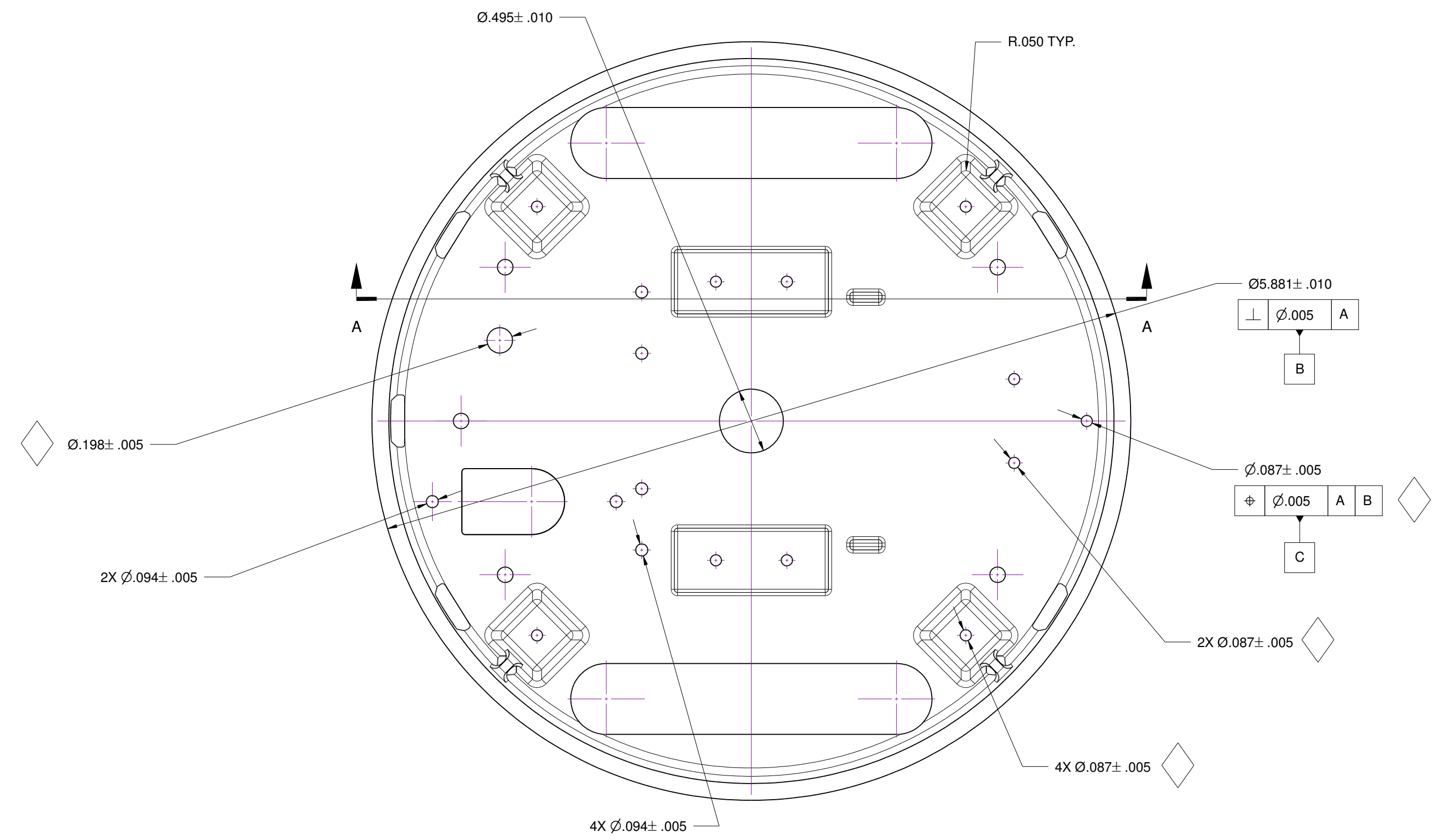
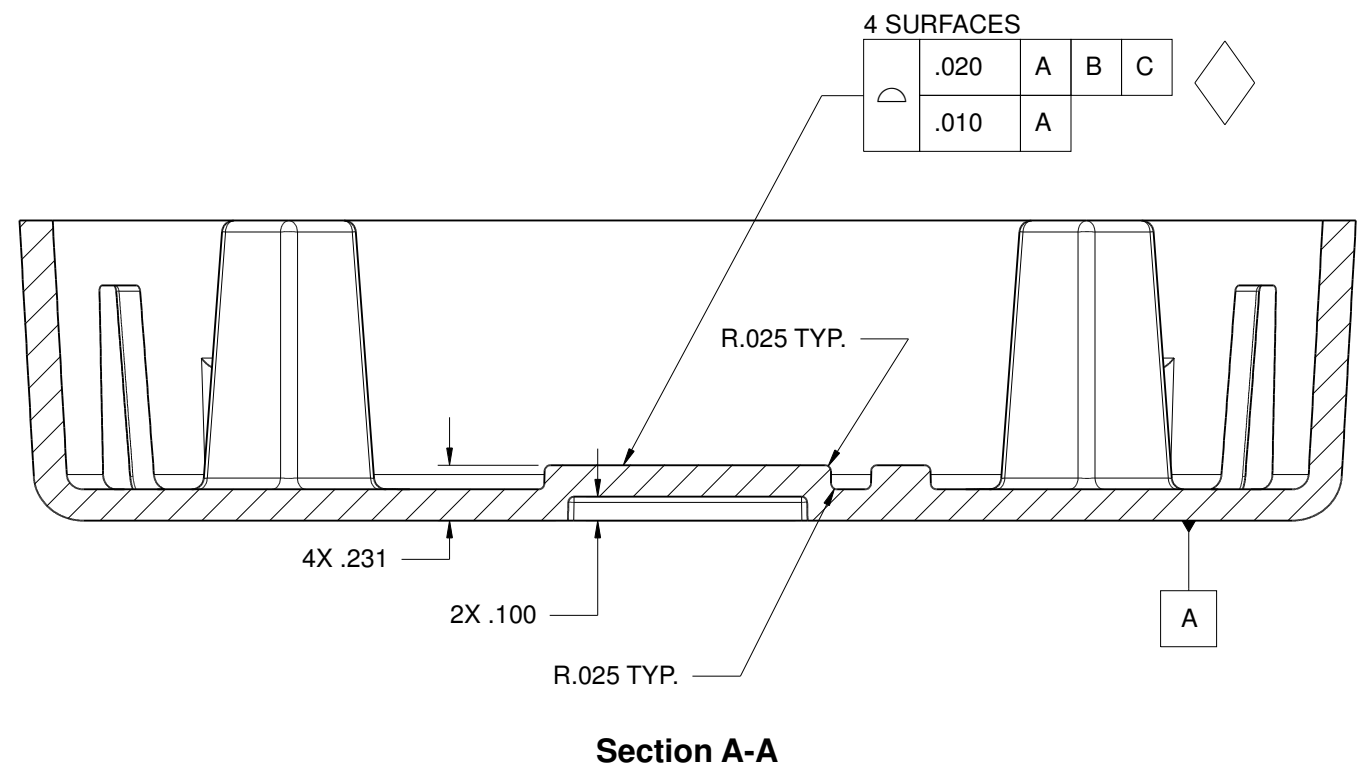


REVISIONS				
ZONE	REV	DESCRIPTION	DATE	APPROVED
	13	PRINT RELEASED FOR PRODUCTION	6/15/2014	ALH

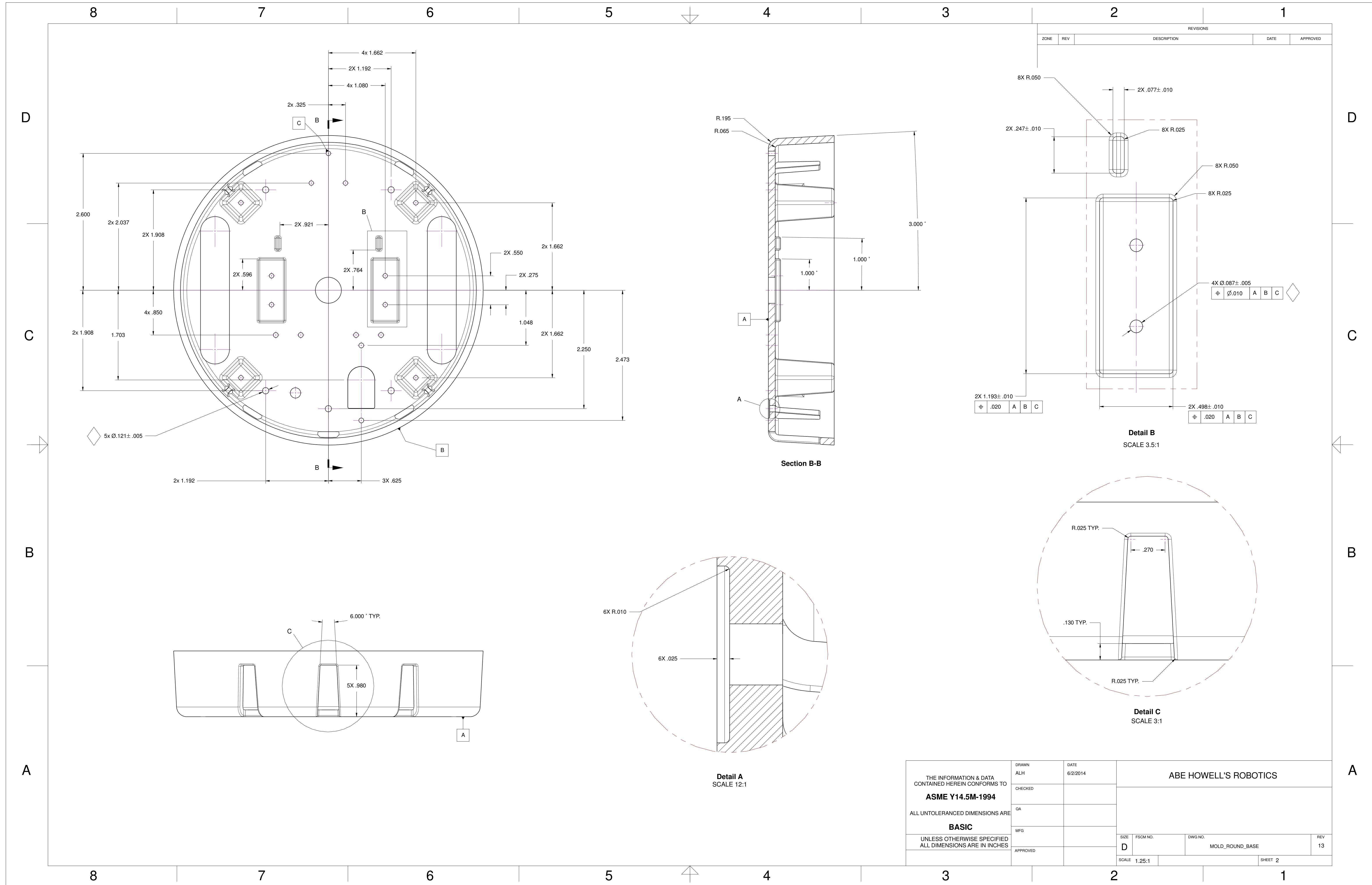


1. UNLESS OTHERWISE SPECIFIED THE FOLLOWING TOLERANCES APPLY:

\varnothing	.020	A	B	C	AND	\oplus	$\varnothing .014$	A	B	C
---------------	------	---	---	---	-----	----------	--------------------	---	---	---

- 2. CONDITION PART FOR SAFE HANDLING PER UL#1439.
- 3. MATERIAL: ABS PORENE SP-100 OR ENGINEERING APPROVED EQUIVALENT. COLORANT: SPECIFIED AT TIME OF ORDER.
- 4. DIAMOND SYMBOL IDENTIFIES CRITICAL TO FUNCTION DIMENSIONS.

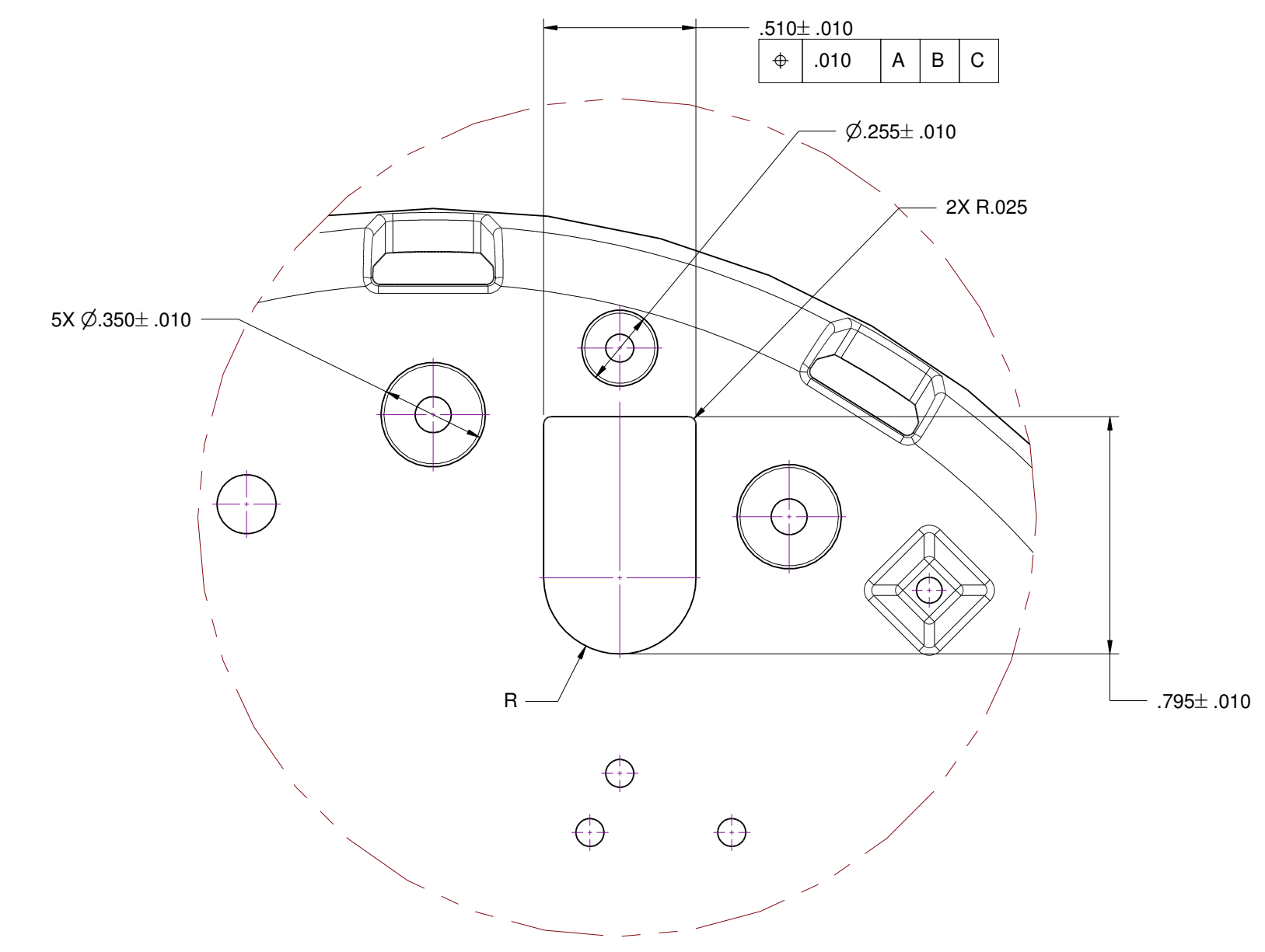
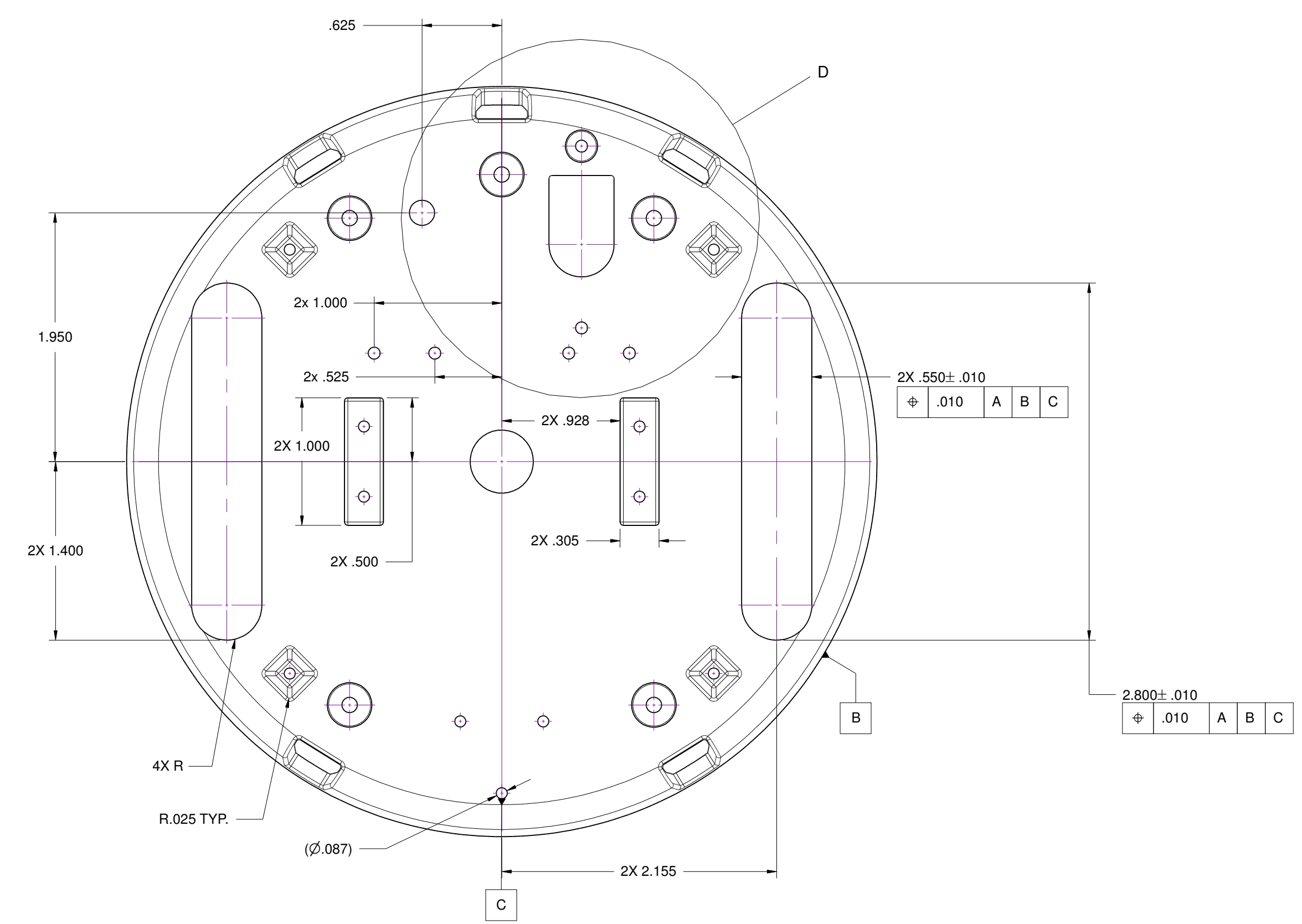
THE INFORMATION & DATA CONTAINED HEREIN CONFORMS TO ASME Y14.5M-1994 ALL UNTOLERANCED DIMENSIONS ARE BASIC UNLESS OTHERWISE SPECIFIED ALL DIMENSIONS ARE IN INCHES	DRAWN ALH	DATE 6/2/2014	ABE HOWELL'S ROBOTICS			
	CHECKED					
	QA		SIZE D	FSCM NO.	DWG NO. MOLD_ROUND_BASE	REV 13
	APPROVED		SCALE 1.25:1	SHEET 1		



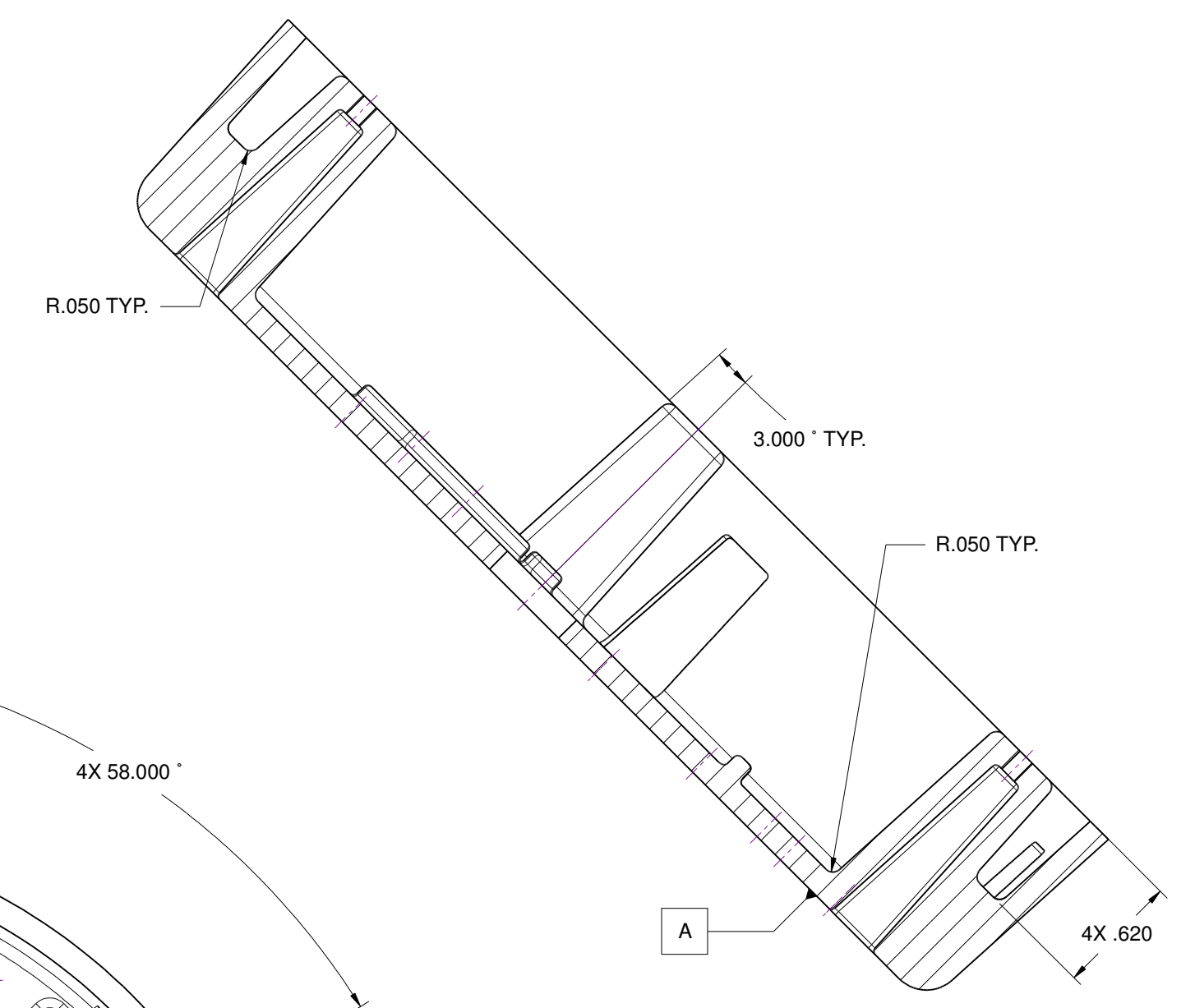
REVISIONS				
ZONE	REV	DESCRIPTION	DATE	APPROVED

THE INFORMATION & DATA CONTAINED HEREIN CONFORMS TO ASME Y14.5M-1994 ALL UNTOLERANCED DIMENSIONS ARE BASIC UNLESS OTHERWISE SPECIFIED ALL DIMENSIONS ARE IN INCHES		DRAWN ALH	DATE 6/2/2014	ABE HOWELL'S ROBOTICS	
		CHECKED			
		QA			
		MFG			
		APPROVED		SIZE D	REV 13
		SCALE 1.25:1		DWG NO. MOLD_ROUND_BASE	SHEET 2

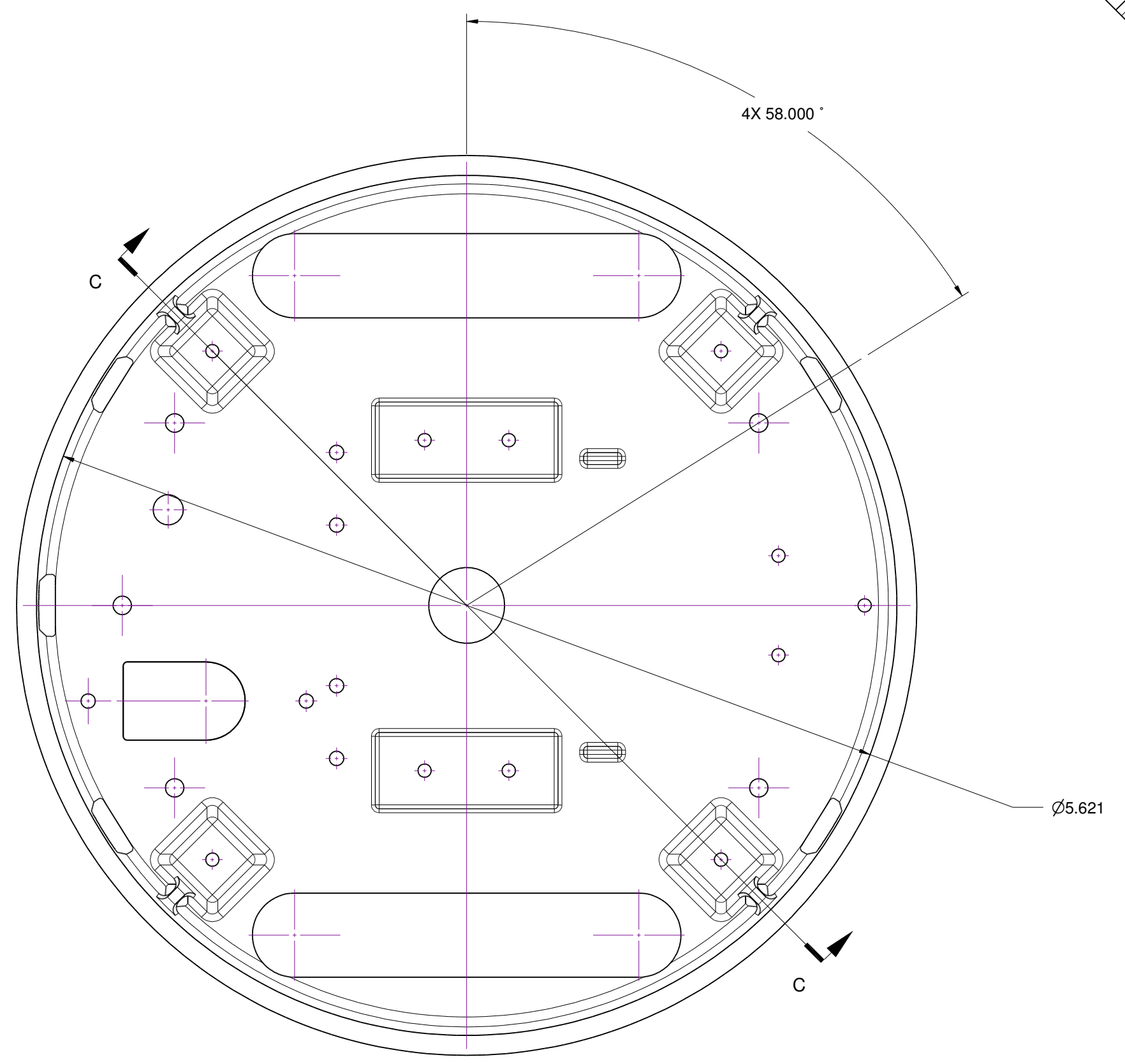
REVISIONS				
ZONE	REV	DESCRIPTION	DATE	APPROVED



Detail D
SCALE 2:1



Section C-C



THE INFORMATION & DATA CONTAINED HEREIN CONFORMS TO
ASME Y14.5M-1994
ALL UNTOLERANCED DIMENSIONS ARE
BASIC
UNLESS OTHERWISE SPECIFIED ALL DIMENSIONS ARE IN INCHES

DRAWN ALH	DATE 6/2/2014
CHECKED	
QA	
MFG	
APPROVED	

ABE HOWELL'S ROBOTICS			
SIZE D	FSCM NO.	DWG NO. MOLD_ROUND_BASE	REV 13
SCALE 1.25:1	SHEET 3		