

CABINET SUPPORT & LIFT MECHANISMS

Your Builders'
Hardware Partner

Magnificent
MARKETING

• DIRECT IMPORTER • WHOLESALER • RETAILER

ADDRESS: 531 T.ALONZO ST., STA. CRUZ
MANILA

HOURS: MONDAY-SATURDAYS,
8AM - 5PM

CONTACT: 8 - 733 5738 ; 7 - 000 5295

EMAIL: magnificenthardware@gmail.com

WEBSITE: www.magnificenthardware.com

FACEBOOK: @magnificentmarketing

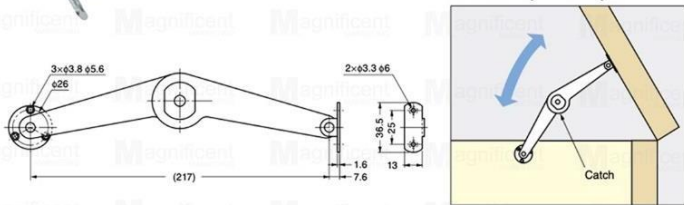
VIBER: 0936 979 2353

STAY HINGE

Material: Steel | Finish: Chrome | Type: Left & Right handed

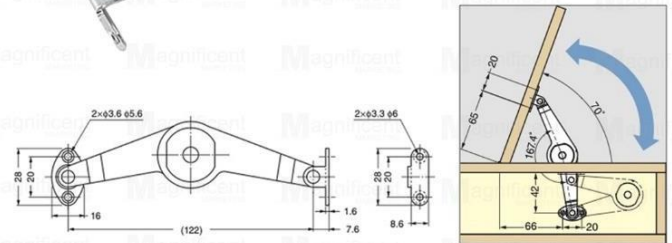
#S20

Size Length: 9"



#S21

Size Length: 5"



PNEUMATIC LID STAY GAS STRUTS

#001-80N

80N = 8KG



#001-100N

100N = 10KG

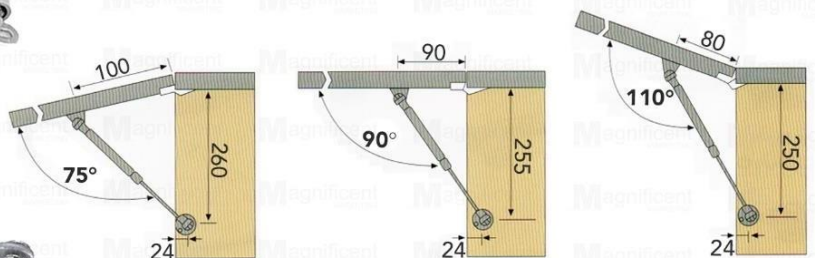
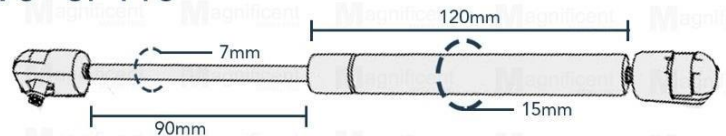


#001-120N

120N = 12KG



- Material: Steel
- Suitable for wood & aluminum-framed door
- Pneumatic feature means that once the door is opened, it will continue to open effortlessly by itself
- Up open doors: Can be installed in 75°, 90° or 110°



#006 HYDRAULIC / SOFT DOWN LID STAY

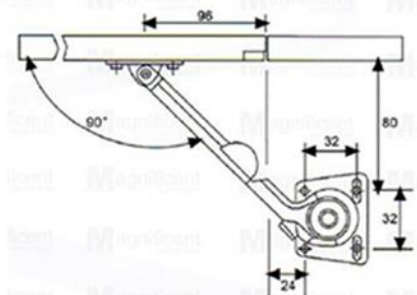
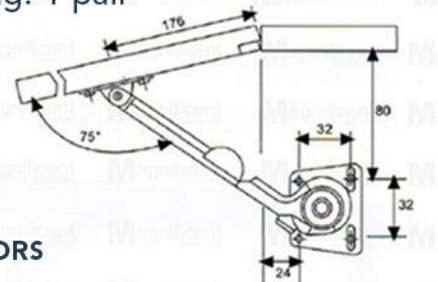


- Material: Zinc Alloy
- Finish: Chrome Plated
- Ordinary lid stay for Down-turn doors
- Soft-down stay for Upward and Top-opening flap doors
- To achieve soft down effect, item must be paired with soft closing concealed hinges
- Built-in one-way rotary clutch-dampening mechanism
- Compact design for appearance and maximizing cabinet space
- Max weight capacity: 3-4kg
- Up-open doors can be installed in 75 or 90 or 100 degrees
- Down-turn doors can be installed in 90 degrees
- Packaging: 1 pair



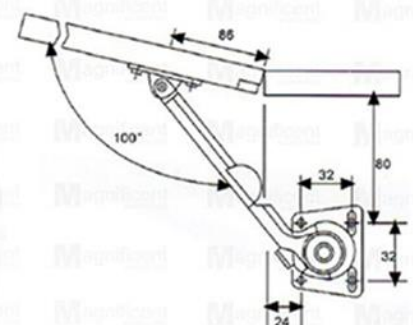
UPWARD AND TOP-OPENING DOORS

Paired with soft closing concealed hinges



DOWN TURN DOORS

Ordinary Lid Stay



CABINET SUPPORT & LIFT MECHANISM

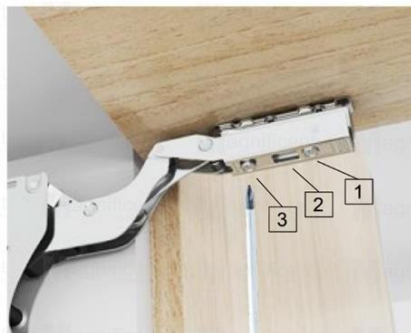
#123

HEAVY DUTY LIFT UP MECHANISM

- Cabinet Height: 360-500mm
- Cabinet Length: 600-900mm
- Weight Capacity: Until 5kg
- Built-in damping system
- Maximum opening angle is 110° angle
- When closing, soft closes at 25° angle
- Free stop function available
- Force adjustable function available
- No hinge needed for the cabinet



force of opening or closing is adjustable.



panel can make 3D adjustment

- up & down
- left right
- front back



decoration covers



Search

Tajima



INSTALLATION GUIDE
YOUTUBE LINK:

<https://youtu.be/GZUFQzBySSs>

Tajima Soft Closing Lift Up Mechanism

Tajima

CABINET SUPPORT & LIFT MECHANISM

#225

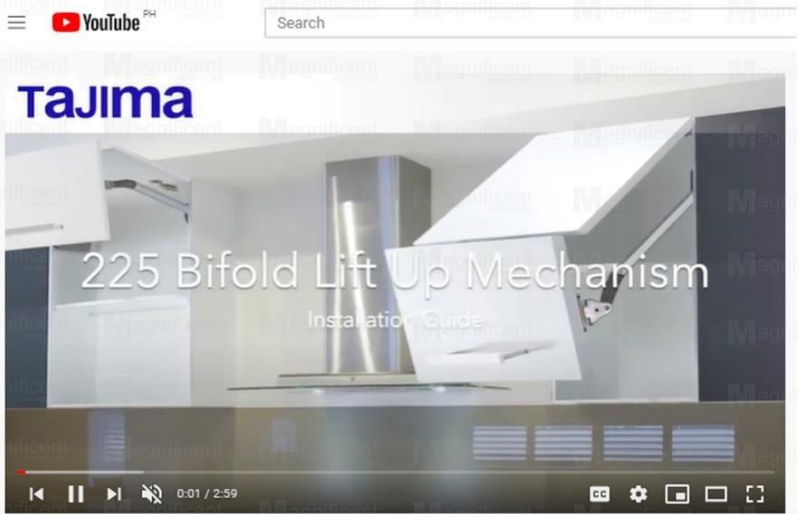
UPWARD FOLD BIFOLD / DOUBLE DOOR LIFT UP MECHANISM

- Applicable only for bi-fold doors that fold in the center when opening
- Used for wooden or aluminum frame doors
- Aluminum Bar Length: 300mm
- Cabinet Height: 700-850mm
- Cabinet Length: Below 1000mm
- Weight Capacity: Until 8kg
- Soft closing & free stop function available



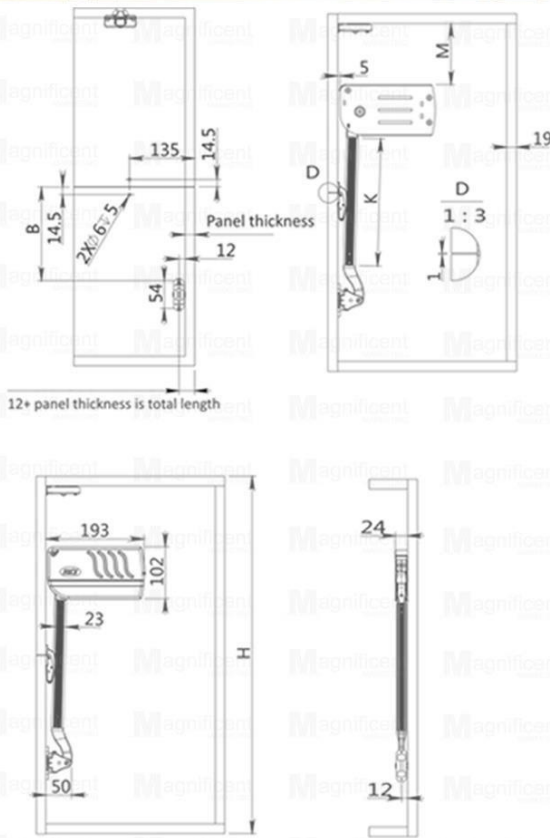
INSTALLATION GUIDE

YOUTUBE LINK: <https://youtu.be/PGWC2jmZjwU>



Tajima Upward Lift Up Mechanism for Bifolding Door Installation Guide

Upward Folding Door Lift System



Cabinet Height: H	600	650	700	750	800	850	900	950	1000
Installation Size: M	100	150	100	120	200	250	200	250	250
Installation Size: B	163	188	213	208	263	288	263	288	313
Alu. Bar Length: K	200	200	300	300	300	300	350	350	400

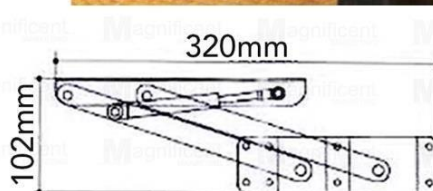
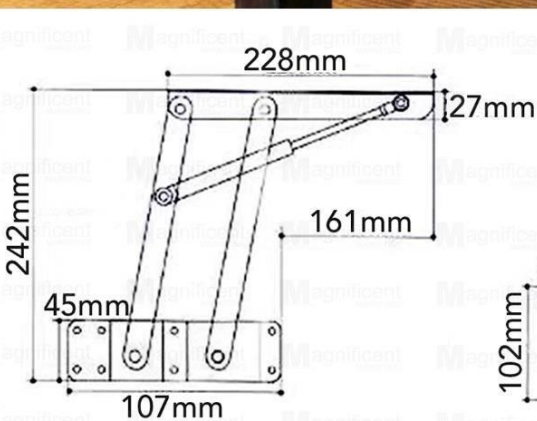
NOTE: The above data should be used with installation card
Unit:mm

CABINET SUPPORT & LIFT MECHANISM

#127

TABLE LIFT MECHANISM

- Material: Steel
- Force: 130N
- Max Weight Capacity: 13kg
- Thickness of lift: 2.5mm and 4mm.
- Size: 6.77" x 8.94" x 9.45" / 17.2 x 22.7 x 24(cm)
- Angle range: (125 degree angle).
- Length of the bottom section: approx.6.77"/17.2cm.



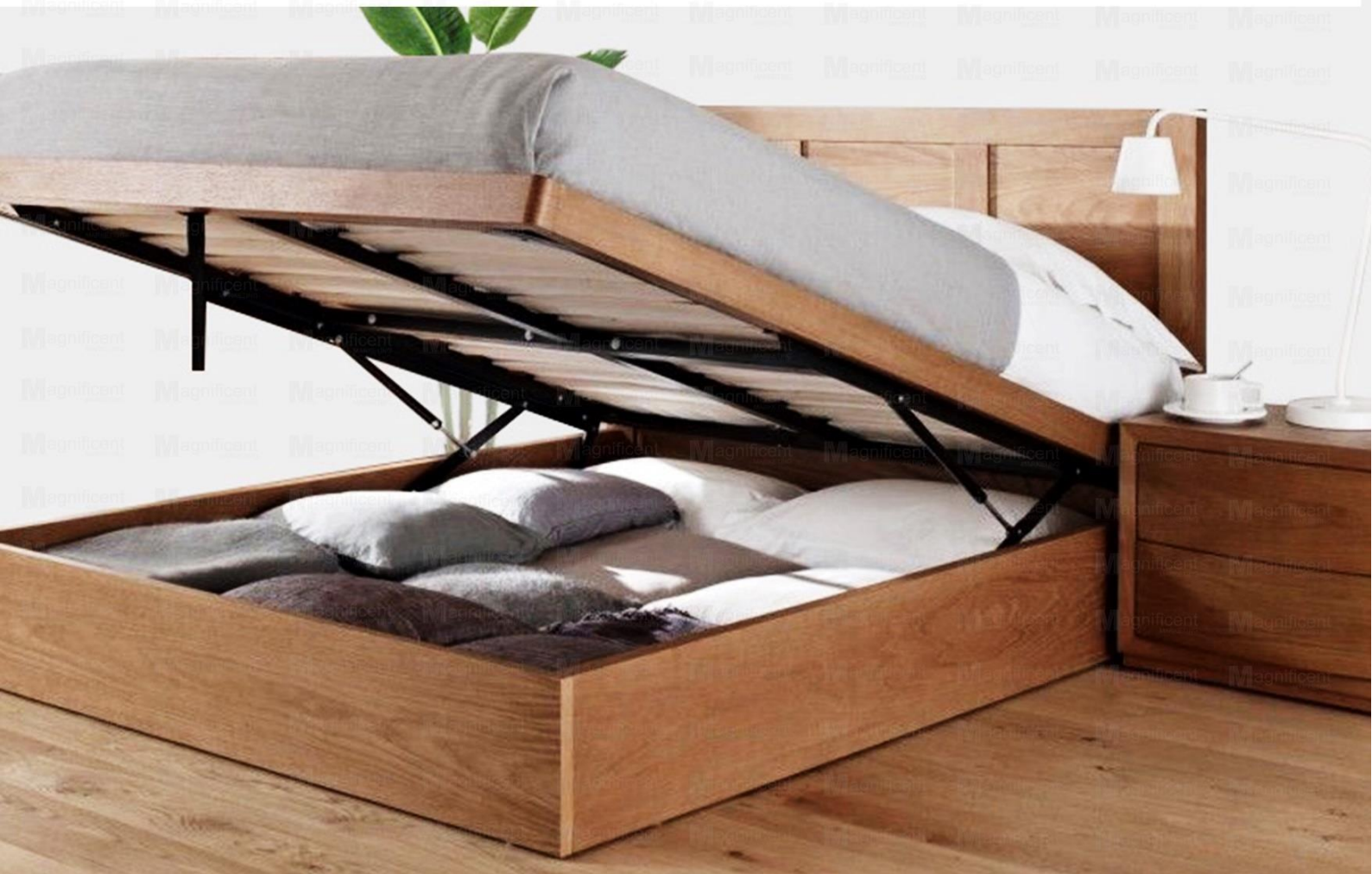
Tajima

CABINET SUPPORT & LIFT MECHANISM

#129

BED LIFT MECHANISM

- Material: Steel
- Thickness: 3.5mm
- Capacity: 80 kg per set
- Bed size: 1800x2000mm
- It maximizes utilization of space by the creation of a hidden storage.



Tajima