

SLIDING CABINET, DOOR & SLIDING GATE



Mmagnificent
MARKETING

• DIRECT IMPORTER • WHOLESALER • RETAILER

Your Builders' Hardware Partner

ADDRESS: 531 TALONZO ST., STA. CRUZ
MANILA
HOURS: MONDAY-SATURDAYS,
8AM - 5PM
CONTACT: 8 - 733 5738 ; 7 - 000 5295

EMAIL: magnificenthardware@gmail.com
WEBSITE: www.magnificenthardware.com
FACEBOOK: @magnificentmarketing
VIBER: 0936 979 2353

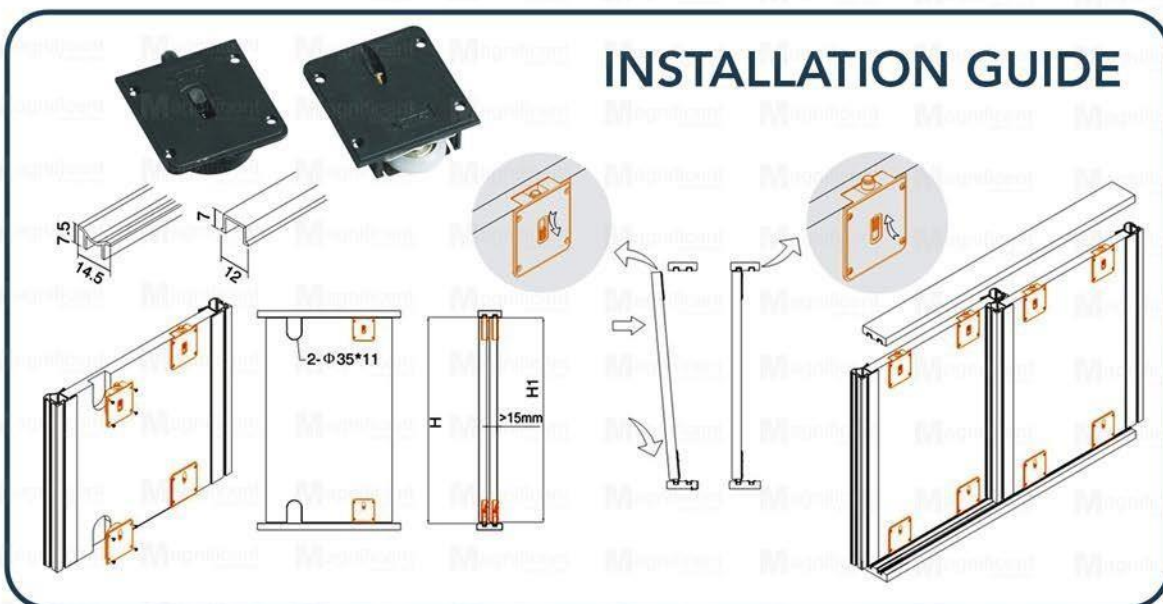
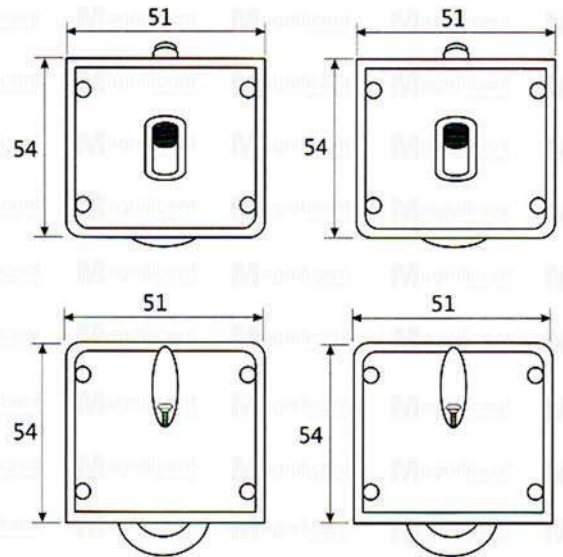
SLIDING DOOR

#G35 ROLLER & RAIL TRACK

SLIDING CABINET WARDROBE

Roller Material: Nylon
Roller Casing: ABS Plastic

Rail Material: Aluminum
Rail Length: 2 meters



SLIDING DOOR

#382 ROLLER & RAIL TRACK

SLIDING CABINET DOOR

ROLLER

Material: Nylon, Body Steel
Capacity: 120kg/set

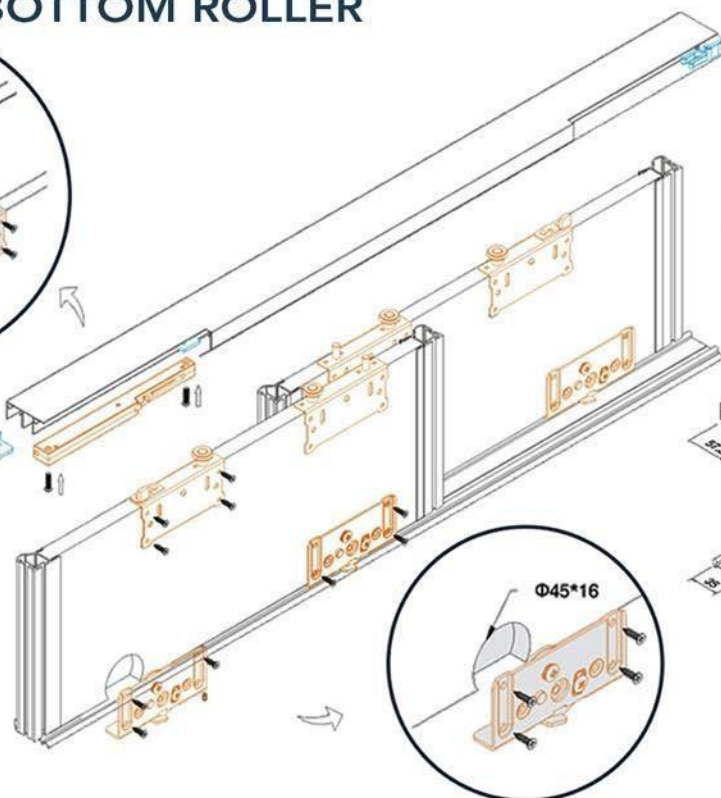
TRACK

Material: Aluminum
Length: 3 Meter
Upper and Lower Included

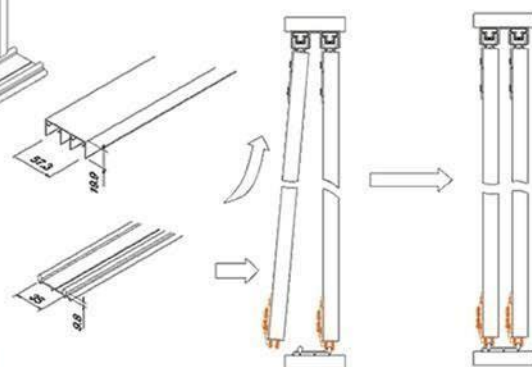
TOP ROLLER



BOTTOM ROLLER



INSTALLATION METHOD



ALUMINUM RAIL TRACK 3 METER

TOP RAIL



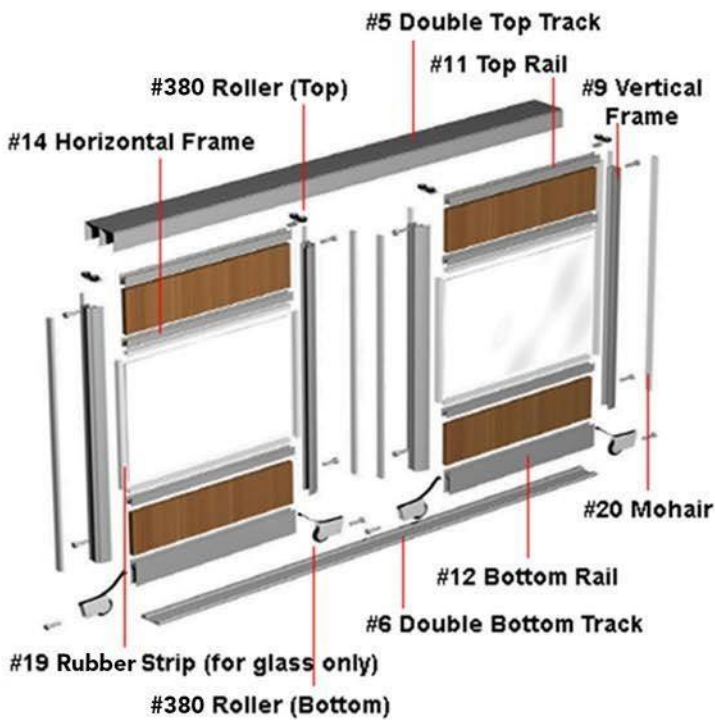
BOTTOM RAIL



Tajima

SLIDING WARDROBE MECHANISM

SLIDING DOOR



- #5 Double Top Track: 3 Meter
- #6 Double Bottom Track: 3 Meter
- #11 Top Rail: 3 Meter
- #12 Bottom Rail: 3 Meter
- #9 Vertical Profile: 2.4 Meter

Optional:

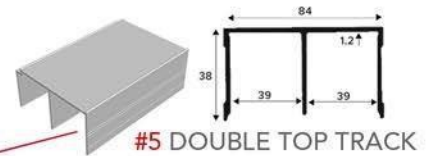
- #14 Horizontal Frame: 3 Meter

- **#380 Roller**
Roller Material: Nylon

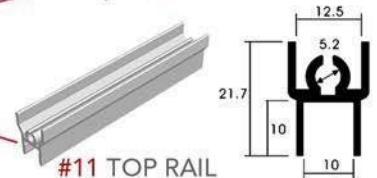


Thickness sizes recommended:

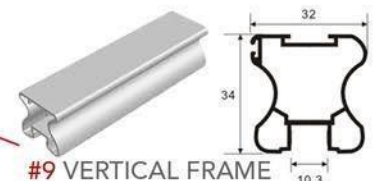
- For Plywood: **6mm thickness**
- For Glass: **5mm thickness**



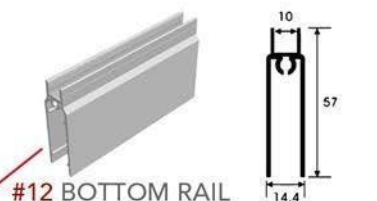
#5 DOUBLE TOP TRACK



#11 TOP RAIL



#9 VERTICAL FRAME

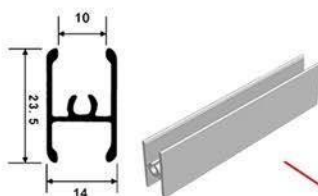


#12 BOTTOM RAIL



#6 DOUBLE BOTTOM TRACK

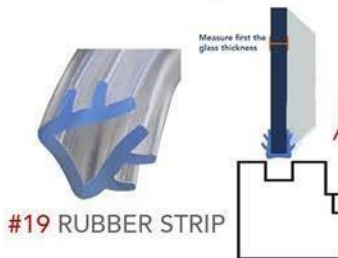
#382 SLIDING ROLLER



#14 HORIZONTAL FRAME



#20 MOHAIR



#19 RUBBER STRIP

EXCLUSIVE FOR
GLASS DIVIDER ONLY

Tajima

SLIDING DOOR

#1408

SLIDING DOOR MECHANISM

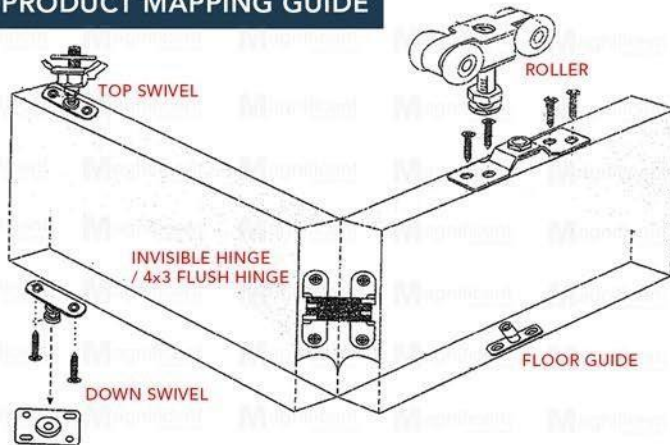
- Capacity: 80kg/set
- Includes top swivel, bottom swivel, floor guide and screws
- Sliding roller, door track, and hinges are sold separately.



INSTALLATION METHOD ON TOP SWIVEL

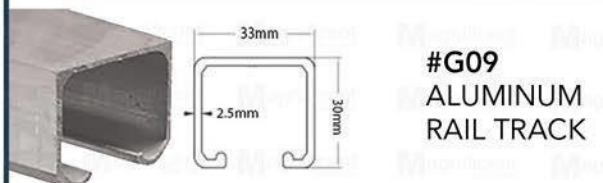


PRODUCT MAPPING GUIDE



INSTALLATION METHOD OF BOTTOM SWIVEL

ADD ON



Tajima

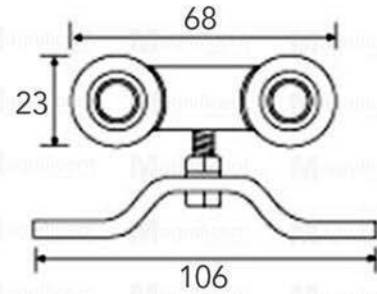
SLIDING DOOR

#435

NYLON BODY
HANGING ROLLER



Roller Size: D23mm
Roller Material: Nylon
Capacity: 60kg/set
Includes stoppers, floor guide
and screws

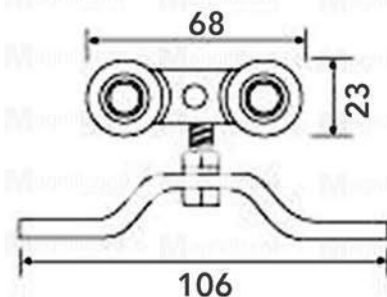


#885

STEEL AND NYLON ROLLER
FOR SLIDING DOOR WARDROBE



- Roller Size: D22mm
- Roller Material: Nylon / Steel
- Capacity: 50kg/set
- Includes stoppers, floor guide
and screws



Tajima

SLIDING DOOR

#20 Roller

- Roller Size: D24mm
- Roller Material: Steel / Nylon
- Capacity: 75kg/set
- Includes wall brackets, stoppers, floor guide and screws



#K094

- Roller Size: D24mm
- Roller Material: Nylon / Steel
- Capacity: 75kg/set
- Includes stoppers, floor guide and screws

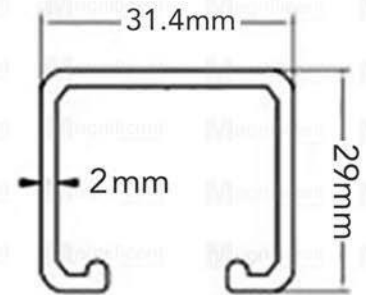


#G09

ALUMINUM DOOR TRACK



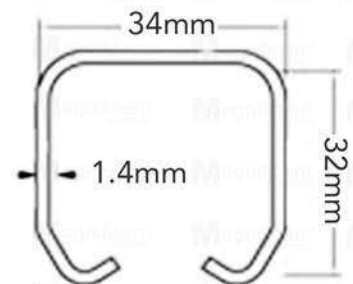
Material: Aluminum
Length: 2 meter or 3 meter
Thickness: 2mm



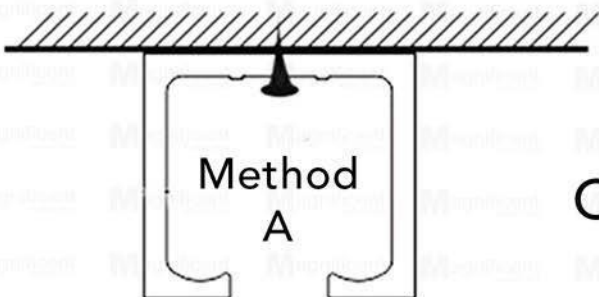
STEEL HANGING TRACK



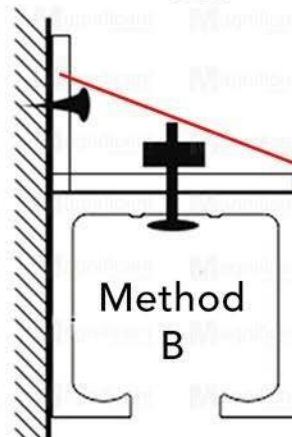
Material: Steel
Length: 2 meter or 3 meter



INSTALLATION GUIDE



OR



ADD-ON



#4301
Wall Bracket

CEILING MOUNTED

WALL MOUNTED

CAN BE PAIRED WITH OUR ROLLERS



KO94 Roller



20 Roller



435 Roller



885 Roller

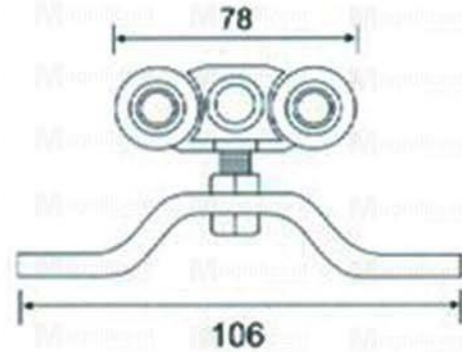
SLIDING DOOR

#A416

HEAVY DUTY SLIDING ROLLER



Roller Size: D27mm
Roller Material: Nylon
Body Material: Nylon
Capacity: 120kg/set
Includes stoppers, floor guide
and screws

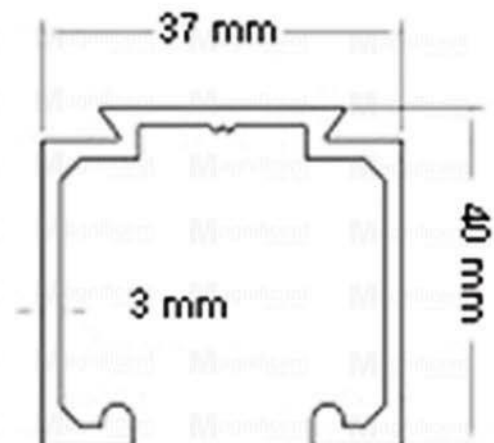


#G13

ALUMINUM DOOR TRACK



Material: Aluminum
Length: 2 Meter and 3 Meter
Compatible for 27mm Roller

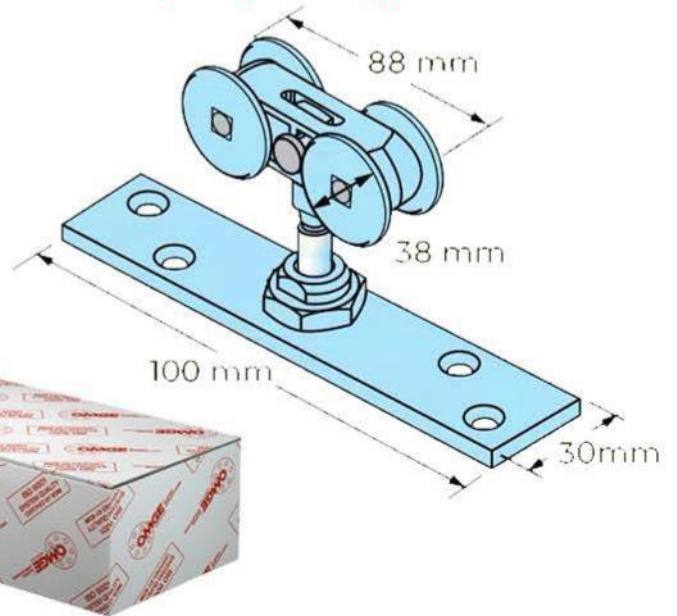


Tajima

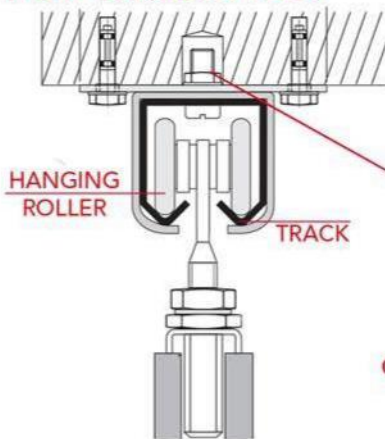
#50s

HEAVY DUTY
HANGING ROLLERS

- Thread: M12
- Roller Size: D38mm
- Roller Material: Steel
- Capacity: 180kg/set



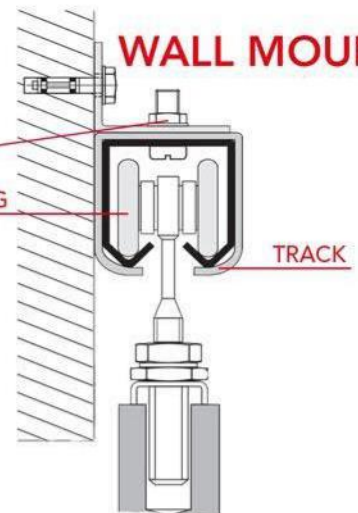
TOP MOUNTED



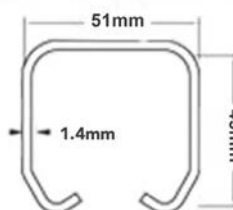
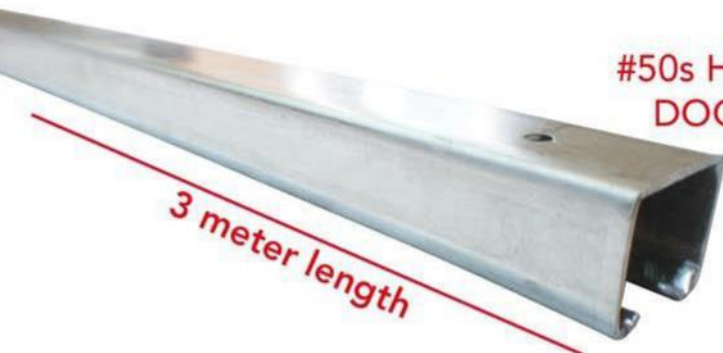
#4303 WALL MOUNT BRACKET



WALL MOUNTED



#50s HEAVY DUTY DOOR TRACK



#4304 STOPPER



SLIDING DOOR

Mini Barn Door

SLIDING CABINET MINI BARN DOOR



- Material: Iron
- Finish: Black Powder Coated
- Door Track: 1.5meter
- Door Weight: Up to 30kg
- Door Thickness: 38mm
- All mounting accessories are included

ACCESSORIES

1 pc	1 pc	2 pcs	1 pc	4 pcs
2 pcs	1 pc	4 pcs	2 pcs	



Nylon made,super quiet
Slide like butter
Super mini
Test beyond 120,000 rolls

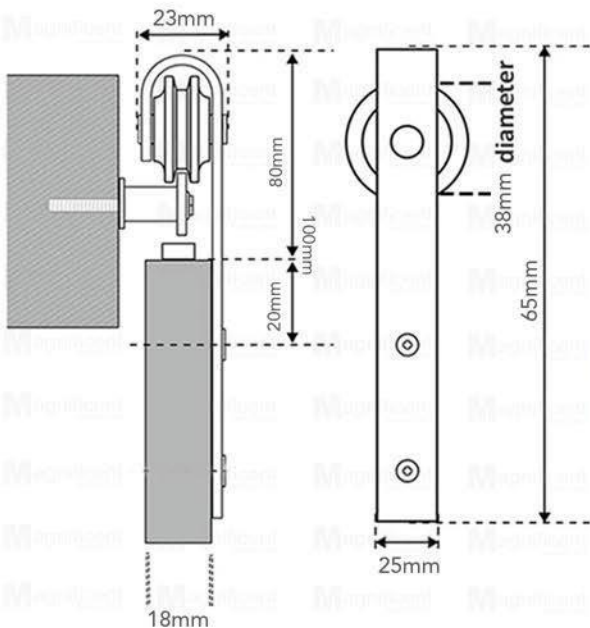
2 Lifetime Lubricated bearing
Test beyond 120,000 rolls
Slide like butter!



Made in rubber and steel
Anti-collision,quiet
Stop door,prevent if form sliding off



Install on the top of door
Prevent door be lifted off track



L SHAPE FLOOR GUIDE

No need make groove, no restriction
on the bottom of the cabinet

THE KIT INCLUDES TWO KINDS OF GATE
GUIDES FOR MORE DIY FUN

T SHAPE FLOOR GUIDE

More hidden and beautiful,
need to make groove

Tajima

SLIDING DOOR

#1343

SLIDING BARN DOOR
SOFT-CLOSE



- Material: Iron
- Finish: Black Powder Coated
- Door Weight: Up to 80kg
- All mounting accessories are included

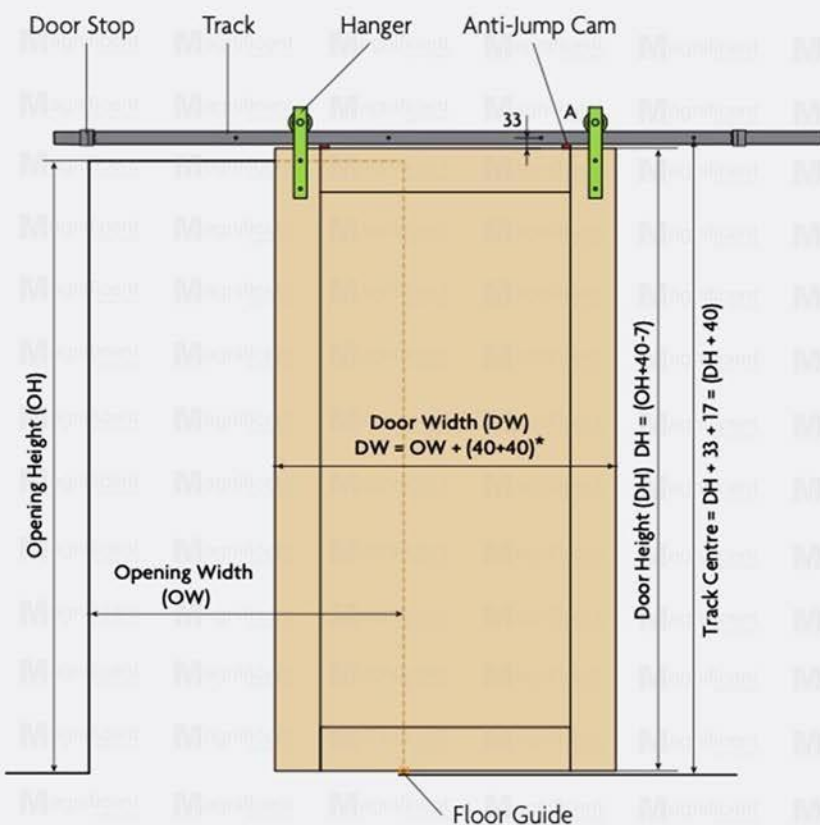
Track Length	Max. Door Size
2 meters (2000mm)	1000 x 46mm
3 meters (3000mm)	1500 x 46mm

ACCESSORIES				
2 pcs	2 pcs	8 pcs	2 pcs	1 pc
INCLUDED	1 pc	SOFTCLOSE MECHANISM		

PREMIUM NYLON WHEELS
Super smoothly and quietly

SUPERIOR QUALITY BEARING
Tested beyond 100,000 rolls

RUBBER CUSHIONED STOPPERS
Stop your door to the tighten Point



Tajima

SLIDING GATE

Tajima #80s

U-GROOVE SLIDING GATE

HEAVY DUTY:

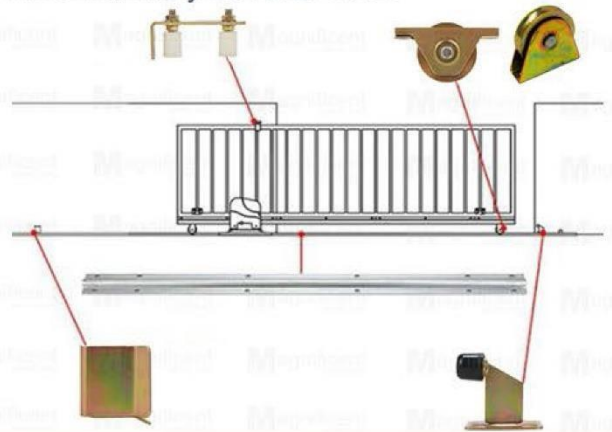
Slide gate end catcher work out great for preventing gates from being lifted off the tracks Great for heavy duty industry door

STOP POINT DESIGN:

With rubber stop tip design, it dampen chatter from metal to metal contact

GREAT FOR:

Sliding swing door, rolling gates, the electric chain link fence, heavy industrial doors



80s U-Groove Sliding Gate Specifications

80s U-GROOVE ROLLER



Material: Galvanized Steel
Wheel Diameter: 3 inches
Capacity: 200kg / Wheel
Fits the U-Track Rail

STAINLESS STEEL 304 U-GROOVE ROLLER

Material: Stainless 304
Type: U-Groove
Roller Size: 48mm / 68mm
Overall Height: 54mm
Capacity: 150kg - 250kg



80s U-RAIL TRACK

Material: Steel
Length: 1 meter
Width: 60mm



80s UPPER GUIDE

Material: Galvanized Steel and
Dual nylon rollers
Size: 64mm x 150mm
Roller Material: Nylon
Roller Diameter: 30mm

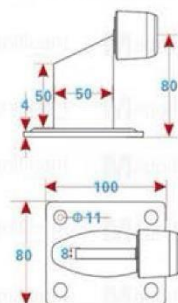


80s END CATCHER & END STOPPER

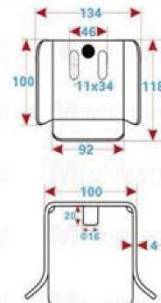
Material: Steel



End Stopper



End Catcher



STOPPER

CATCHER