



# CONCEALED HINGES & DRAWER SLIDES

**M**magnificent  
MARKETING

• DIRECT IMPORTER • WHOLESALER • RETAILER

## Your Builders' Hardware Partner

**ADDRESS:** 531 T.ALONZO ST., STA. CRUZ  
MANILA

**HOURS:** MONDAY-SATURDAYS,  
8AM - 5PM

**CONTACT:** 8 - 733 5738 ; 7 - 000 5295

**EMAIL:** [magnificenthardware@gmail.com](mailto:magnificenthardware@gmail.com)

**WEBSITE:** [www.magnificenthardware.com](http://www.magnificenthardware.com)

**FACEBOOK:** @magnificentmarketing

**VIBER:** 0936 979 2353

# 706 & 708

ORDINARY HINGE

SOFTCLOSE HINGE

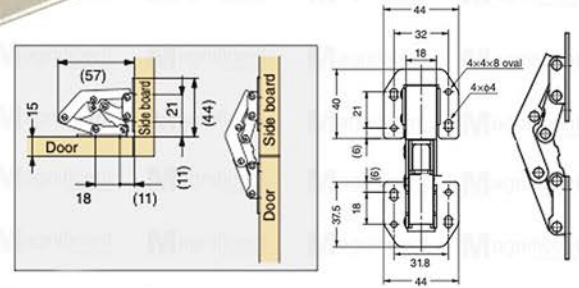
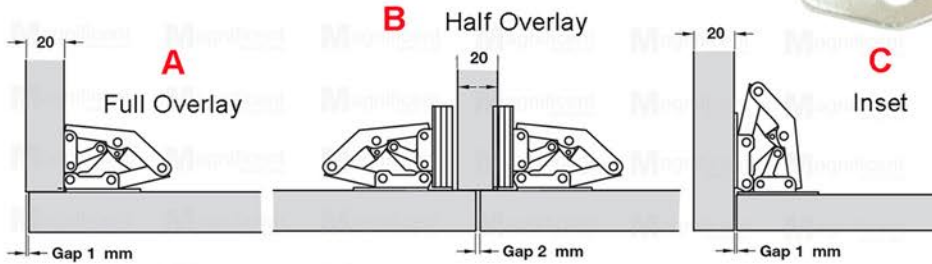
# GIANO

UNIVERSAL EASY ON CONCEALED HINGE

- Opening angle: 90°
- Door thickness: 0-20mm
- Surface mounted hinge type
- No need to bore a hole on the cabinet doors
- Can be used on all door types (full, half overlay or inset)



SOFT CLOSING DAMPER



# 604 & 608

ORDINARY HINGE

SOFTCLOSE HINGE



## CONCEALED HINGE

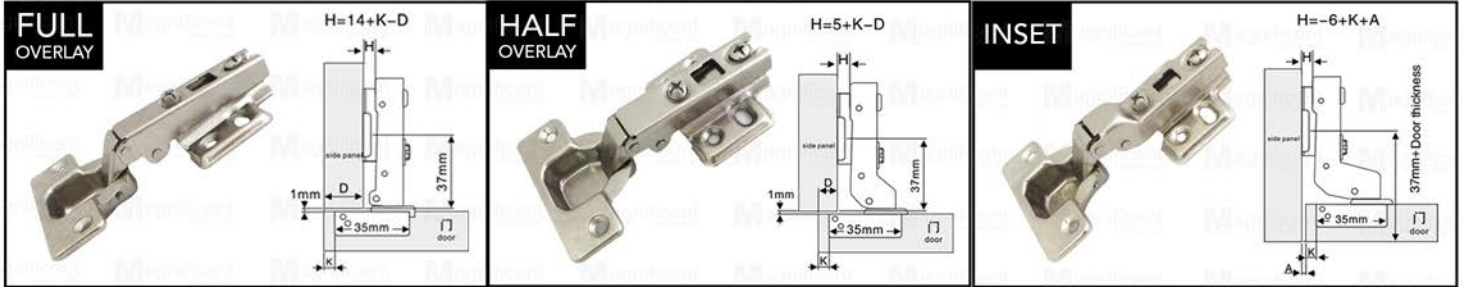
- Opening angle: 105°
- Diameter of hinge cup: 35mm
- Door thickness: 14mm-23mm
- Two-way hinge with 4 holes
- Slide-on (Plate cannot be separated)

FOR SOFT CLOSE HINGE:

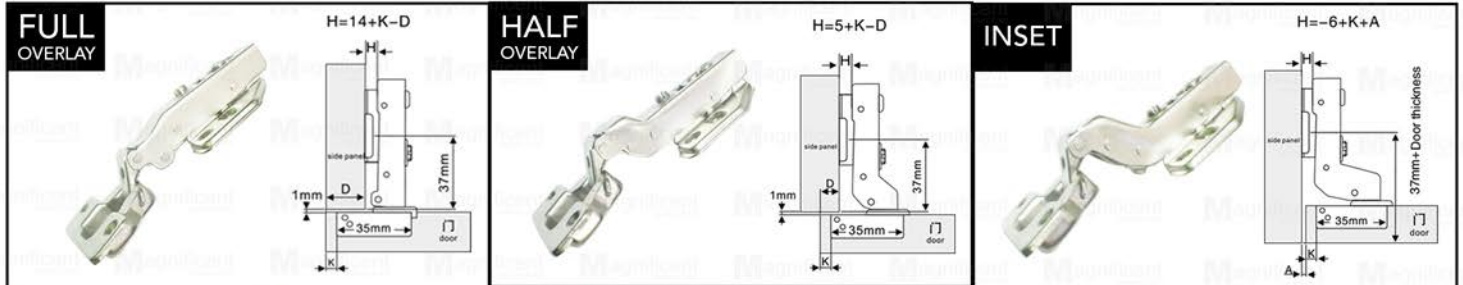
- Built in damper
- includes 1 cover



### 604 ORDINARY CONCEALED HINGE



### 608 SOFTCLOSE CONCEALED HINGE



H = height of the hinge base D = Required overlay on side board K = Distance between door edge and drilling hole on hinge cup A = Gap between door and side board



# 610

STAINLESS 304

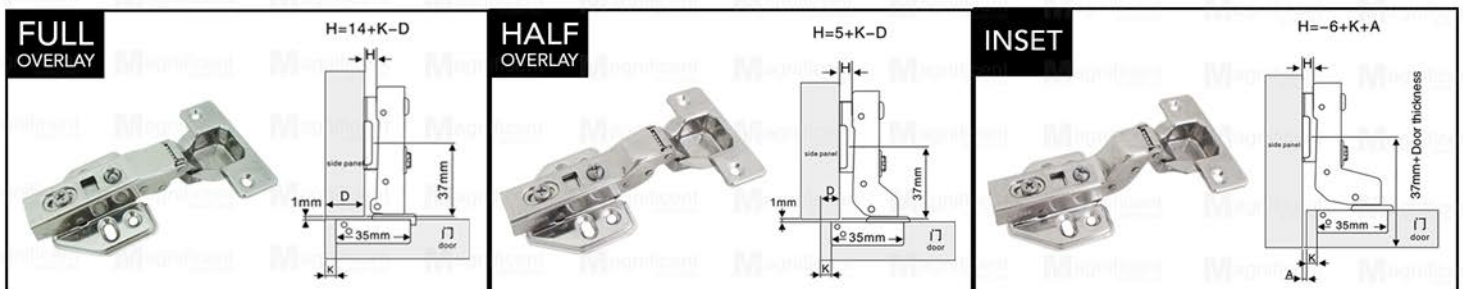
# GIANO

## HYDRAULIC CONCEALED HINGE

- Opening angle: 105°
- Diameter of hinge cup: 35mm
- Door thickness: 14mm-23mm
- Stainless 304 material
- Soft closing (Built in damper)
- Clip-on (Plate can be separated)

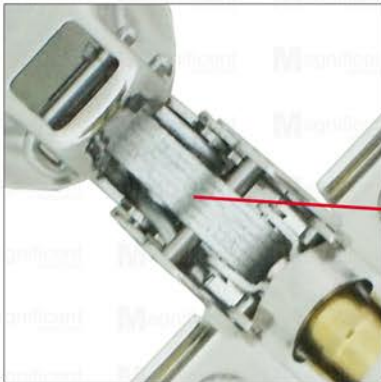


STAINLESS STEEL 304



H = height of the hinge base D = Required overlay on side board K = Distance between door edge and drilling hole on hinge cup A = Gap between door and side board

### Five Piece Plate Arms



Great strength to unsure quality

### Bold Thick Solid Rivets



It's for long term use and don't easily fall off

### Hydraulic Cylinder



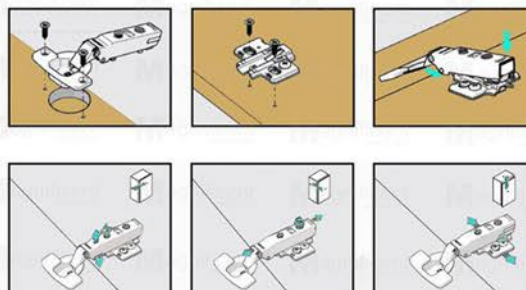
Closing these hinges will be mute silent

### Clip On Detachable



Dismantling these hinges for cleaning purposes is fairly convenient

## INSTALLATION GUIDE



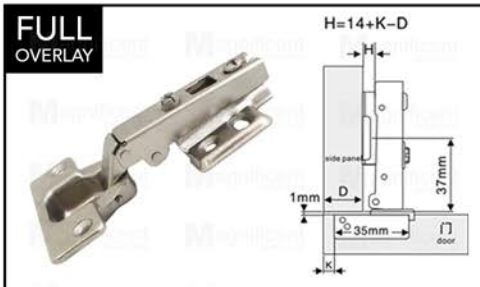
# 616

NO SPRING HINGE

# GIANO

## PUSH TO OPEN CONCEALED HINGE

- Opening angle: 110°
- Diameter of hinge cup: 35mm
- Door thickness: 14mm-23mm
- Rebounding/No spring (Hinge always open)
- Slide-on (Plate cannot be separated)
- Must be paired with PUSH CATCHES to function



H = height of the hinge base D = Required overlay on side board  
K = Distance between door edge and drilling hole on hinge cup  
A = Gap between door and side board



## PUSH CATCHES



#S1500



#S1501



#500 S



#1081



#500 D

# 135A & 165A

ANGLE HINGE

# GIANO

## CORNER CABINET CONCEALED HINGE

### 135A HINGE

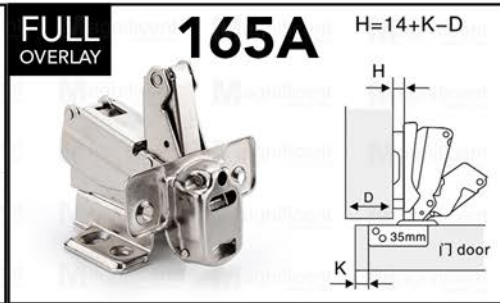
- Opening angle: 135°
- Diameter of hinge cup: 35mm
- Door thickness: 14mm-21mm
- Slide-on (Plate cannot be separated)

### 165A HINGE

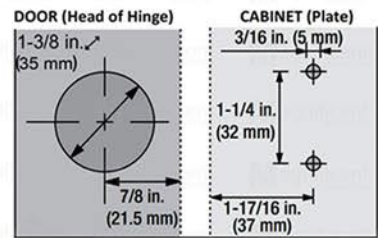
- Opening angle: 165°
- Diameter of hinge cup: 35mm
- Door thickness: 14mm-23mm
- Soft closing (Built in damper)
- Clip-on (Plate can be separated)

#135A

#165A



### 165A INSTALLATION

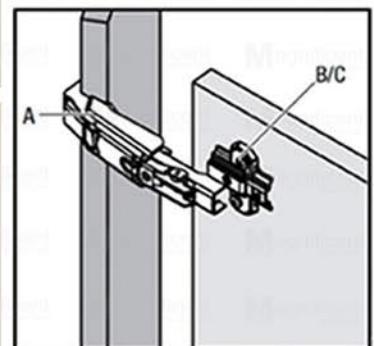
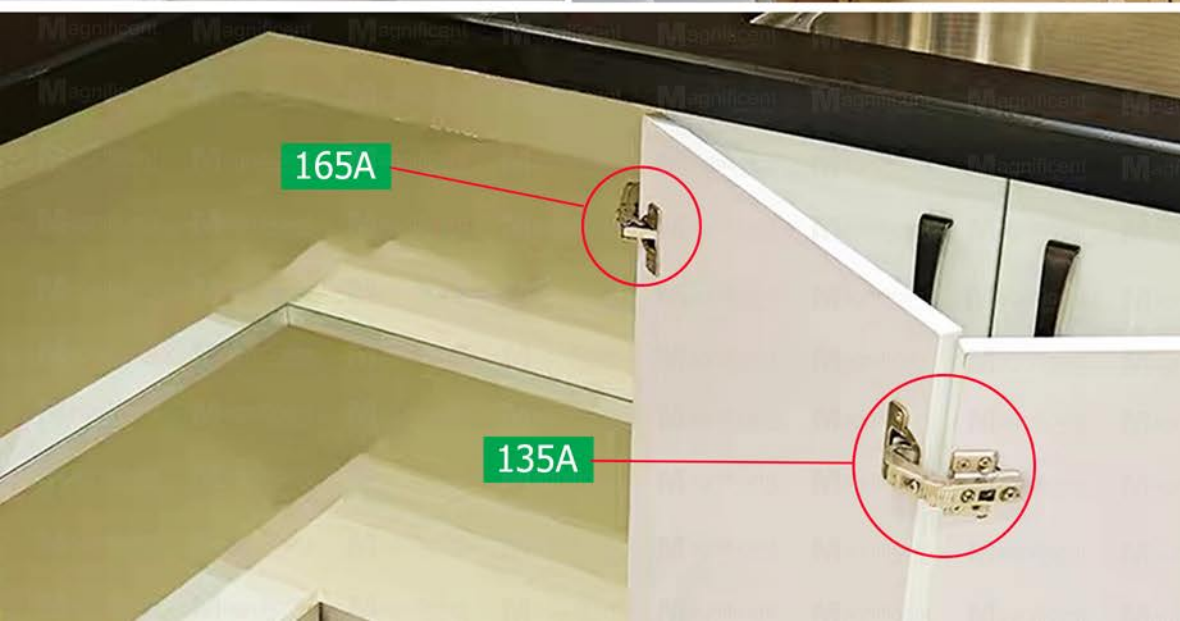
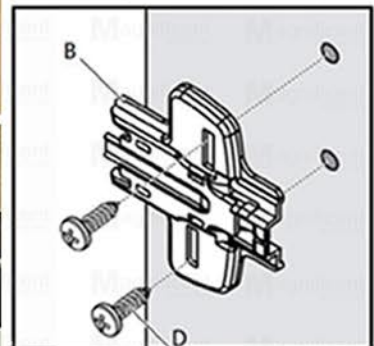
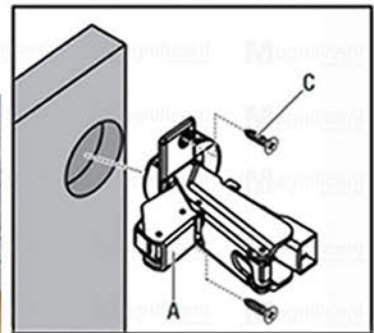


H = height of the hinge base

K = Distance between door edge and drilling hole on hinge cup

D = Required overlay on side board

A = Gap between door and side board



# 701

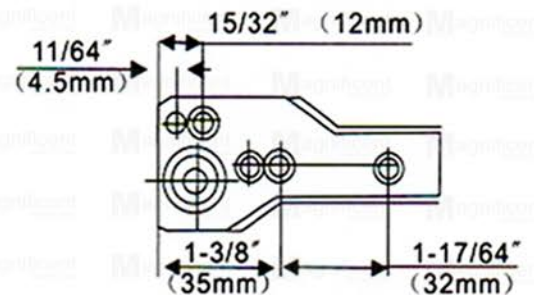
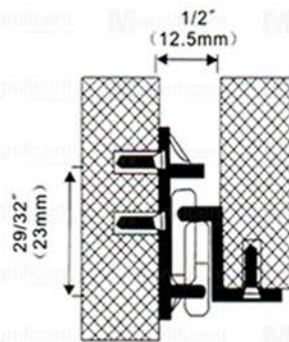
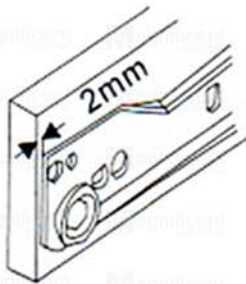
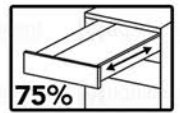
## ORDINARY BOTTOM MOUNTED



Slide number	A mm	B mm	C mm	D mm	E mm	F mm	G mm	H mm	I mm	J mm	L mm
701-12"	68	96	64	32	32	8					300
701-14"	68	96	64	32	32	32	26				350
701-16"	68	96	32	32	32	64	32	12			400
701-18"	68	96	32	32	32	32	64	32	32	30	450
701-20"	68	96	32	64	32	96	32	32	32	16	500
701-22"	68	96	32	64	32	96	96	32	34		550
701-24"	68	96	32	64	32	32	64	96	32	64	600

- Material: Hardened rolled steel
- Finish: White epoxy powder coat
- Slide Thickness: 1.2mm
- Load Capacity: 25kg/pair (based on 18")
- Type of pull out: 3/4 Extension
- Detachable drawer
- Two fold ball bearing (includes inner & outer member)

L = LENGTH



Bottom Mount



**INSTALL THE RUNNER UNDERNEATH THE DRAWER**  
fasten the drawers with screws with holes as a guide



**INSERT THE DRAWER INTO THE FURNITURE**  
push the drawer into the cabinet



**INSTALL THE OTHER SIDE OF THE RUNNER ON THE FURNITURE**  
provide an allowance of at least 2mm on the edge of the figure



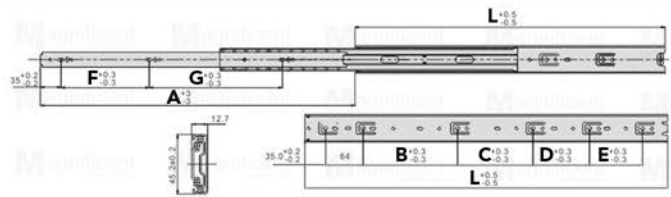
# 755

## ORDINARY FULL EXTENSION THREE FOLD



Slide number	A mm	B mm	C mm	D mm	E mm	F mm	G mm	L mm
755-10"	250	96				160		250
755-12"	300	160				96	128	300
755-14"	350	160				128	128	350
755-16"	400	160	96			128	160	400
755-18"	450	160	128			160	192	450
755-20"	500	160	128			192	192	500
755-22"	550	160	128	96		224	224	550
745-24"	600	160	128	96		224	256	600

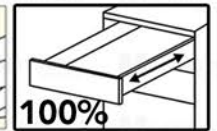
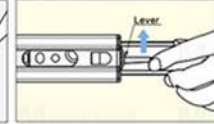
- Material: Hardened rolled steel
- Finish: Black chromate
- Slide width: 45mm
- Slide thickness: 1.0x1.0x1.2mm
- Load Capacity: 35kg/pair (based on 18")
- Type of Pull Out: Full extension
- Three fold ball bearing (includes inner, intermediate & outer member)
- Full Extension: Allow the full length of the drawer to open
- Rail Disconnect: Detachable by lifting the lever
- Hold-in Detent: Secures drawer in fully closed position to prevent drawer from creeping open



Full Extension (3 Members)



Easy to Detach







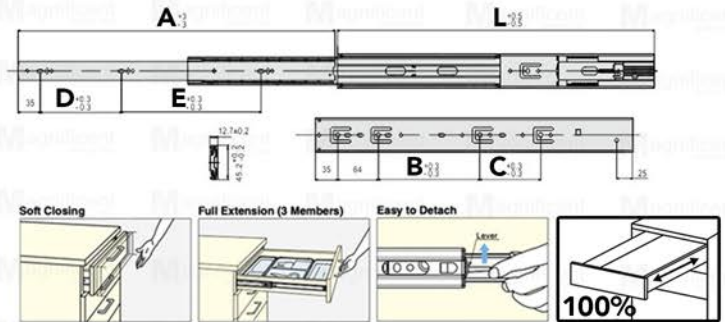
# 745

## SOFT CLOSING FULL EXTENSION THREE FOLD



- Material: Hardened rolled steel
- Finish: Zinc Plated
- Slide width: 45mm
- Slide thickness: 1.2x1.2x1.5mm
- Load Capacity: 35kg/pair (based on 18")
- Type of Pull Out: Soft closing & Full extension
- Three fold ball bearing (includes inner, intermediate & outer member)
- Full Extension: Allow the full length of the drawer to open
- Soft Close: Built in damper that closes drawer silently and smoothly
- Rail Disconnect: Detachable by lifting the lever
- Hold-in Detent: Secures drawer in fully closed position to prevent drawer from creeping open

Slide number	A mm	B mm	C mm	D mm	E mm	L mm
745-10"	250			96		250
745-12"	300	96		96	128	300
745-14"	350	96		128	128	350
745-16"	400	160		128	160	400
745-18"	450	160		160	192	450
745-20"	500	160	96	192	192	500
745-22"	550	160	128	224	224	550
745-24"	600	160	160	224	256	600



# 765

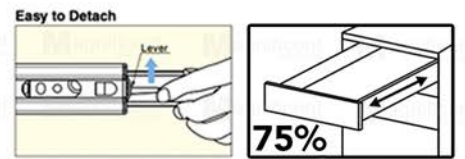
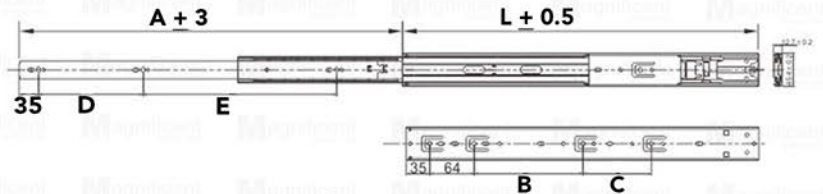
## PUSH TO OPEN DRAWER SLIDE



Slide number	A mm	B mm	C mm	D mm	E mm	L mm
765-10"	250			128		234
765-12"	300			96	96	298
765-14"	350	96		128	96	345
765-16"	400	160		128	128	395
765-18"	450	160		160	128	445



- Material: Hardened rolled steel
- Finish: Zinc Plated
- Slide width: 45mm
- Slide thickness: 1.2x1.2x1.5mm
- Load Capacity: 35kg/pair (based on 18")
- Type of Pull Out: 3/4 Extension
- Push To Open: Allows opening of the drawer without the need for a drawer handle
- Three fold ball bearing (includes inner, intermediate & outer member)
- Rail Disconnect: Detachable by lifting the lever
- Hold-in Detent: Secures drawer in fully closed position to prevent drawer from creeping open



# 3590

## UNDERMOUNT WITH BRACKET



Slide number	Slide Length	Travel Length	Number of Holes	
			Inner Rail	Outer Rail
3590-12"	323.8(12-3/4")	215.9(8-1/2")	11	7
3590-14"	374.6(14-3/4")	266.7(10-1/2")	11	7
3590-16"	425.4(16-3/4")	304.8(12")	11	6
3590-18"	476.2(18-3/4")	317.5(12-1/2")	11	7
3590-20"	527(20-3/4")	368.3(14-1/2")	11	7
3590-22"	577.8(22-3/4")	419.1(16-1/2")	11	7

- Material: Hardened rolled steel
- Finish: Zinc plated
- Load Capacity: 15kg/pair (based on 18")
- Type of pull out: 3/4 Extension
- Under carriage mounting with bracket
- Plastic tacks are NOT INCLUDED

