

Furniture & Cabinet Locks



ADDRESS: 531 T.ALONZO ST., STA. CRUZ MANILA
HOURS: MONDAY-SATURDAYS, 8AM - 5PM
CONTACT: 8 - 733 5738 ; 7 - 000 5295

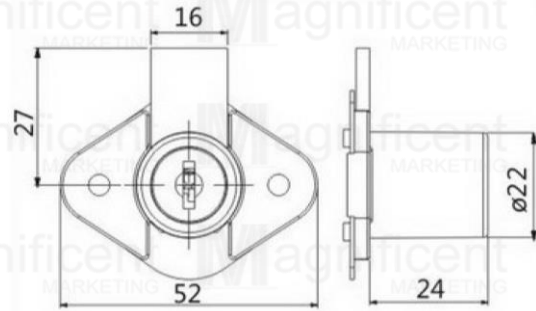
EMAIL: magnificenthardware@gmail.com
WEBSITE: www.magnificenthardware.com
FACEBOOK: @magnificentmarketing
VIBER: 0936 979 2353

#106 CP

- D22xL24mm
- CP – **Php139/pc**
- BP – **Php139/pc**
- Material: Zinc Alloy
- Wood Thickness: 20-24mm
- Fixing Hole Size: 23mm
- Packaging: 25sets/carton



Includes:
-1 Lock
-2 Keys
-1 Bezel

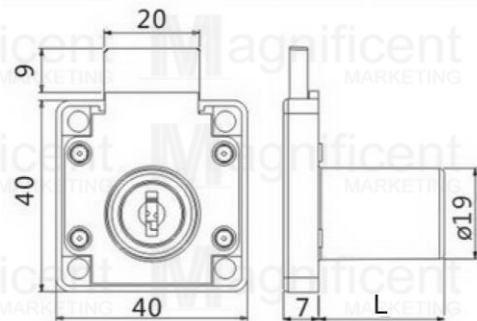


#137 CP MASTER KEY SERIES

- D19xL26mm – **Php169/pc**
- D19xL32mm – **Php189/pc**
- **L32mm Master Key /Series Lock CP – Php205/pc**
- Add Master Key – Php200pc**
- Material: Zinc Alloy
- Wood Thickness:
 - 20-24mm – use L26mm
 - 24-30mm – use L32mm
- Fixing Hole Size: 20mm
- Packaging:
 - L26mm – 25sets/carton
 - L32mm – 20sets/carton



Includes:
-1 Lock
-2 Keys
-1 Bezel

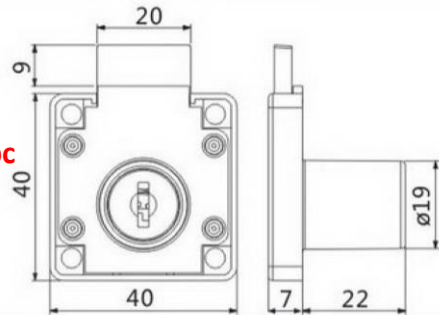


#138 CP MASTER KEY SERIES

- D19xL22mm
- Ordinary Lock CP – **Php119/pc**
- Ordinary Lock BK Black – **Php179/pc**
- Ordinary Lock BP Brass – **Php179/pc**
- Master Key Series Lock CP – Php155/pc**
- Add Master Key – Php200/pc**
- Material: Zinc Alloy
- Wood Thickness: 16-20mm
- Fixing Hole Size: 20mm
- Packaging: 30sets/carton



Includes:
-1 Lock
-2 Keys
-1 Bezel

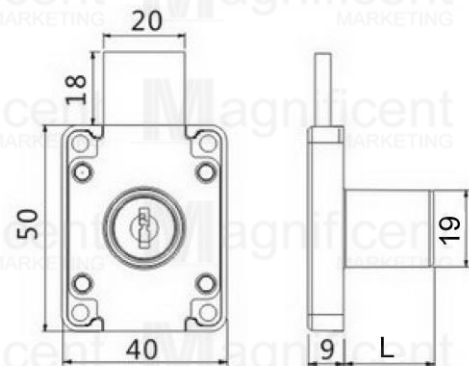


#139 CP [DOUBLE TURN]

- D19xL22mm – **Php189/pc**
- D19xL32mm – **Php199/pc**
- Material: Zinc Alloy
- Wood Thickness:
 - 20-24mm – use L26mm
 - 24-30mm – use L32mm
- Fixing Hole Size: 20mm
- **Two Turn Locking Feature**
- Packaging:
 - L22mm – 25sets/carton
 - L32mm – 10sets/carton



Includes:
-1 Lock
-2 Keys
-1 Bezel

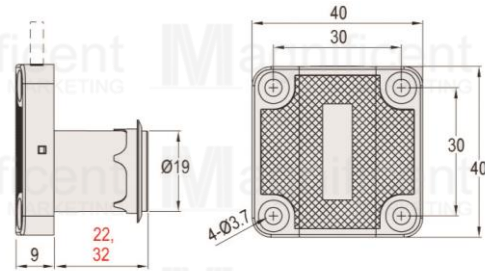




Includes:
-1 Lock
-2 Keys
-1 Bezel

#9001 NP

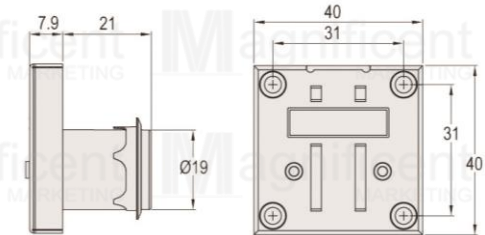
- D19xL22mm – **Php129/pc**
- D19xL32mm – **Php149/pc**
- Material: Zinc Alloy
- Wood Thickness:
16-20mm – use L22mm
24-30mm – use L32mm
- Fixing Hole Size: 20mm
- Packaging: 12sets/carton



Includes:
-1 Lock
-2 Keys
-1 Bezel

#9011 NP

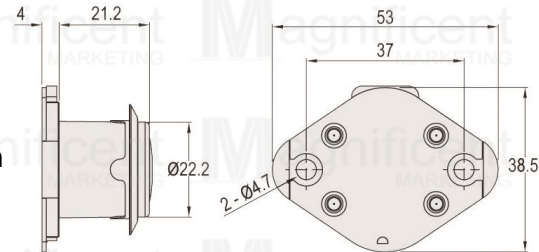
- D19xL21mm – **Php89/pc**
- Material: Zinc Alloy
- Wood Thickness: 16-20mm
- Fixing Hole Size: 20mm
- Packaging: 12sets/carton



Includes:
-1 Lock
-2 Keys
-1 Bezel

#9018

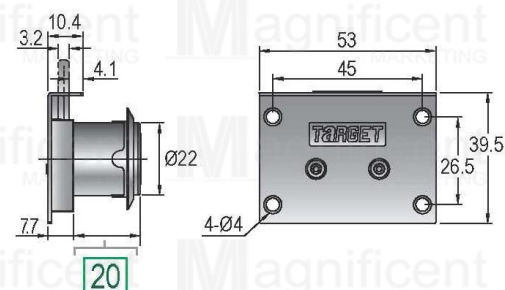
- D22.2xL21.2mm
NP – **Php159/pc**
BP – **Php169/pc**
- Wood Thickness: 16-20mm
- Fixing Hole Size: 23mm
- Packaging: 12sets/carton



Includes:
-1 Lock
-2 Keys
-1 Bezel

#9022

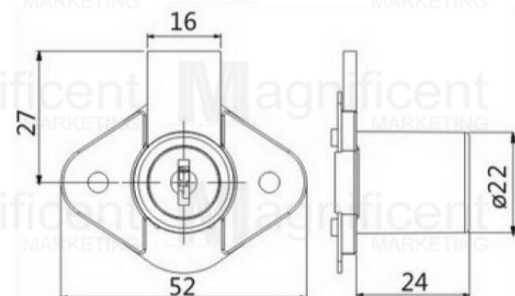
- D22xL20mm – **Php139/pc**
- Wood Thickness: 16-20mm
- Fixing Hole Size: 23mm
- Packaging: 12sets/carton



Includes:
-1 Lock
-2 Keys
-1 Bezel

#4510 BP

- D22xL24mm – **Php169/pc**
- Material: Zinc Alloy
- Wood Thickness: 20-24mm
- Fixing Hole Size: 23mm
- Packaging: 12sets/carton



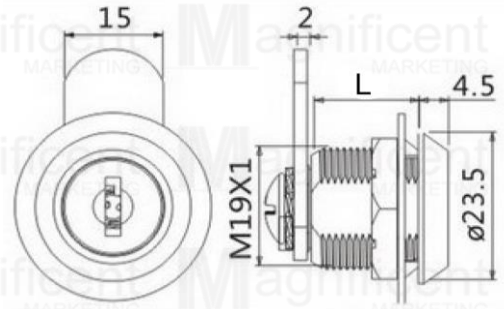


Includes:

- 1 Lock
- 2 Keys
- 1 Cam
- 1 Washer
- Accessories

#103 CP

- D19xL16mm – **Php109/pc**
- D19xL20mm – **Php119/pc**
- D19xL25mm – **Php125/pc**
- D19xL30mm – **Php129/pc**
- Material: Zinc Alloy
- Wood Thickness:
 - 4-5mm: Use L16mm
 - 4-7mm: Use L20mm
 - 7-16mm: Use L25mm
 - 16-21mm: Use L30mm
- Fixing Hole Size: 18mm
- Packaging:
 - L16mm, L20mm - 40sets/carton
 - L25mm, L30mm - 30sets/carton



TARGET
LOCK

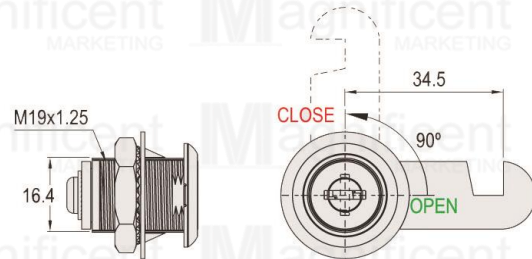
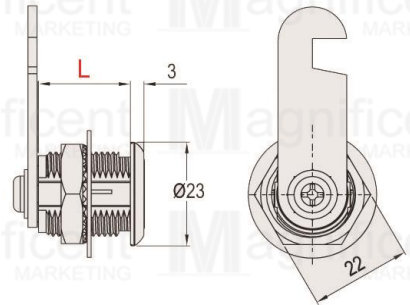


Includes:

- 1 Lock
- 2 Keys
- 1 Cam
- 1 Washer
- Accessories

#9007 NP

- D23xL16mm – **Php100/pc**
- D23xL20mm – **Php130/pc**
- D23xL25mm – **Php140/pc**
- D23xL30mm – **Php150/pc**
- Material: Zinc Alloy
- Wood Thickness:
 - 4-5mm: Use L16mm
 - 4-7mm: Use L20mm
 - 7-16mm: Use L25mm
 - 16-21mm: Use L30mm
- Fixing Hole Size: 23mm
- Packaging: 24sets/carton

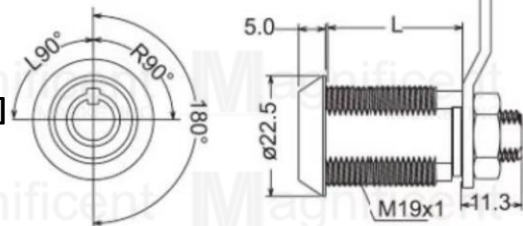


Includes:

- 1 Lock
- 2 Keys
- 1 Cam
- 1 Washer
- Accessories

#3302 CP (TUBULAR CAM LOCK)

- D22xL17mm – **Php179/pc [Brass Key]**
- D22xL27mm – **Php179/pc [Plastic Key]**
- Material: Zinc Alloy
- Wood Thickness: 4-7mm
- Fixing Hole Size: 22mm
- Packaging: 30-40sets/carton



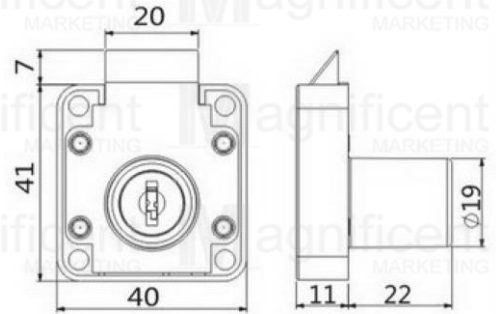


Includes:
 -1 Lock
 -2 Keys
 -1 Bezel
 -1 Strike Plate

#128 CP

AUTO LATCH/SLAM LOCK

- D19xL22mm – Php189/pc
- Material: Zinc Alloy
- Wood Thickness: 16-20mm
- Fixing Hole Size: 20mm
- Packaging: 25sets/carton

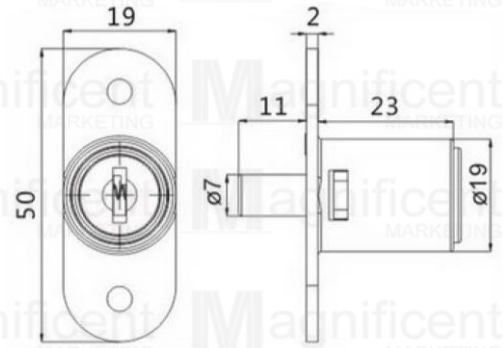


Includes:
 -1 Lock
 -2 Keys
 -1 Bezel

#105 CP

PUSH LOCK

- D19xL23mm – Php149/pc
- Material: Zinc Alloy
- Wood Thickness: 16-22mm
- Fixing Hole Size: 20mm
- Packaging: 30sets/carton



TARGET LOCK

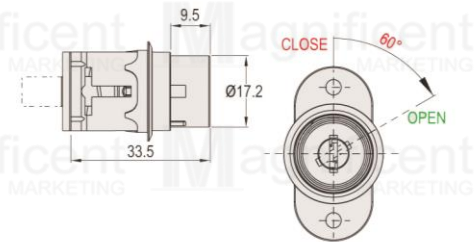
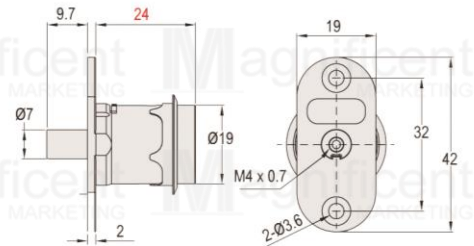


Includes:
 -1 Lock
 -2 Keys
 -1 Bezel

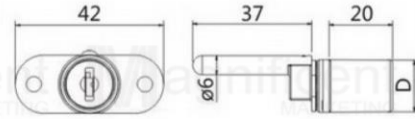
#9204 NP

PUSH LOCK

- D19xL24mm – Php129/pc
- Material: Zinc Alloy
- Wood Thickness: 16-22mm
- Fixing Hole Size: 20mm
- Packaging: 12sets/carton



CENTRAL LOCKS

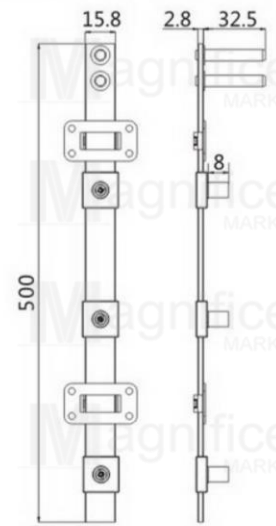


#288 CP (Front Central Lock)

- D16.5xL20mm Lock Only – Php179/pc
- D19xL20mm Lock Only – Php179/pc
- Lock With Bar – Php289/set
- Aluminum Bar: 500mm
- Material: Zinc Alloy
- Wood Thickness: 16-20mm
- Fixing Hole Size: 20mm
- Packaging: 30sets/carton

Includes:

- 1 Lock
- 1 Bar
- 2 Keys
- 1 Bezel
- Accessories

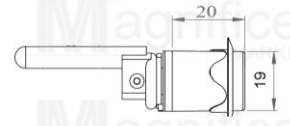


#299 CP

- D19xL20mm – Php185/pc
- Material: Zinc Alloy
- Wood Thickness: 16-20mm
- Fixing Hole Size: 20mm
- Packaging: 30sets/carton

Includes:

- 1 Lock
- 2 Keys
- 1 Bezel
- Accessories

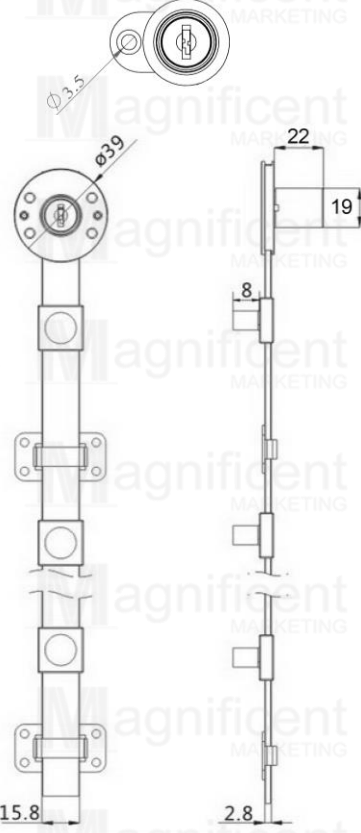


#108A CP (Side Central Lock)

- D19xL22mm Lock with Bar – Php269/set
- Aluminum Bar: 500mm
- Material: Zinc Alloy
- Wood Thickness: 16-20mm
- Fixing Hole Size: 20mm
- Packaging: 24sets/carton

Includes:

- 1 Lock
- 1 Bar
- 2 Keys
- 1 Bezel
- Accessories

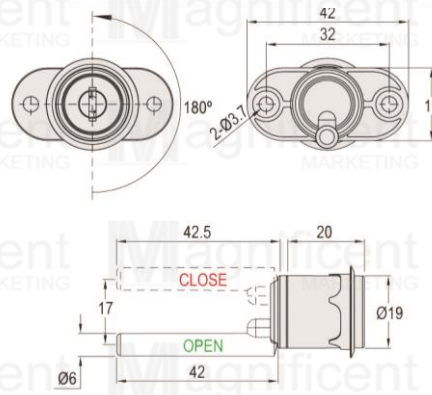


#9003 NP

- D19xL20mm – Php119/pc
- Material: Zinc Alloy
- Wood Thickness: 16-20mm
- Fixing Hole Size: 20mm
- Packaging: 12sets/carton

Includes:

- 1 Lock
- 2 Keys
- 1 Bezel
- Accessories



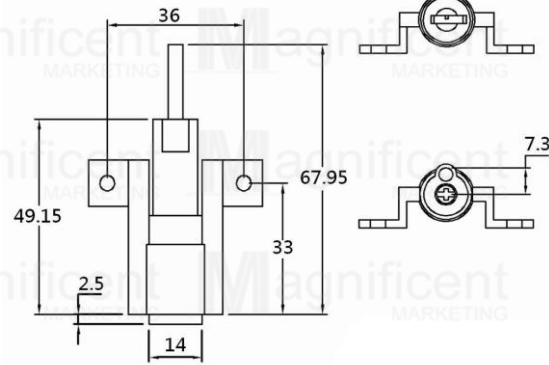


Includes:

- 1 Lock
- 2 Keys

#T102 CP

- D14mm – Php229/pc
- Tail length: 16mm
- Material: Zinc Alloy
- Packaging: 75sets/carton

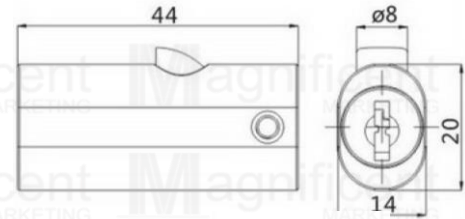


Includes:

- 1 Lock
- 2 Keys

#228 CP

- H20xW13.8mm – Php175/pc
- Material: Zinc Alloy
- Packaging: 35sets/carton

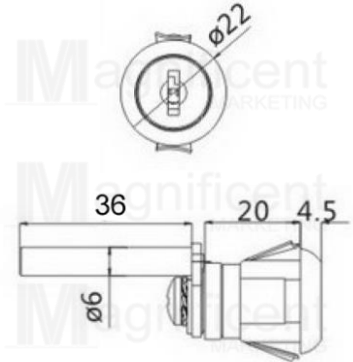


Includes:

- 1 Lock
- 2 Keys
- 1 Washer
- 1 Screw

#287 CP

- D22xL20mm – Php169/pc
- Material: Zinc Alloy
- Metal Thickness After Painting: 0.6-0.9mm
- Fixing Hole Size: 19mm
- Packaging: 40sets/carton



Cyber Lock®

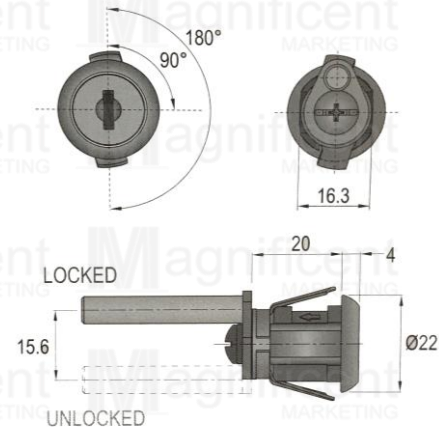


Includes:

- 1 Lock
- 2 Keys
- 1 Washer
- 1 Screw

#201Q NP

- D22xL20mm – Php229/pc
- Material: Zinc Alloy
- Metal Thickness After Painting: 0.6-0.9mm
- Fixing Hole Size: 19mm
- Packaging: 80sets/carton

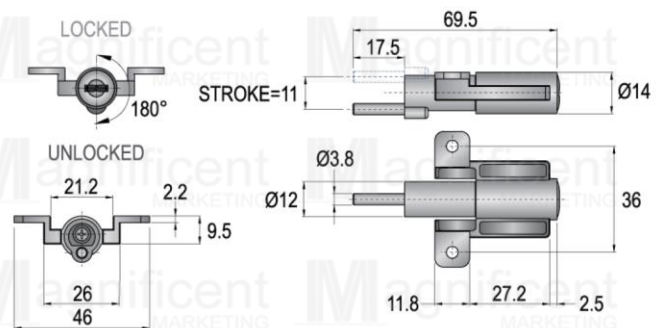


Includes:

- 1 Lock
- 2 Keys

#513 CP

- D14mm – Php160/pc
- Tail length: 17.5mm
- Material: Zinc Alloy
- Packaging: 25sets/carton



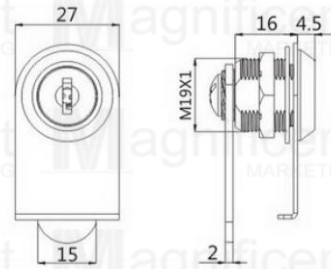


Includes:

- 1 Lock
- 2 Keys
- 1 Cam
- 1 Strike Plate
- Accessories

#218 CP

- D19xL16mm – **Php119/pc**
- Material: Zinc Alloy
- Glass Thickness: 4-7mm
- Fixing Hole Size: 19mm
- Packaging: 25sets/carton

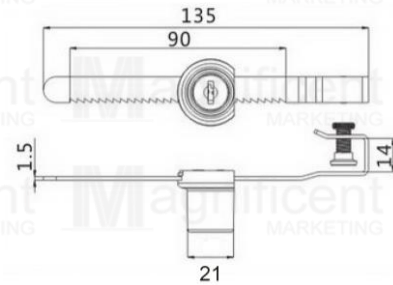


Includes:

- 1 Lock
- 1 Bar
- 2 Keys
- 2 Screws

#220 CP

- D19xL18.5mm – **Php149/pc**
- D21xL18.5mm – **Php169/pc**
- Ratchet Bar: 135mm
- Material: Zinc Alloy
- Glass Thickness: 4-10mm
- No glass drilling required
- Packaging: 20sets/carton

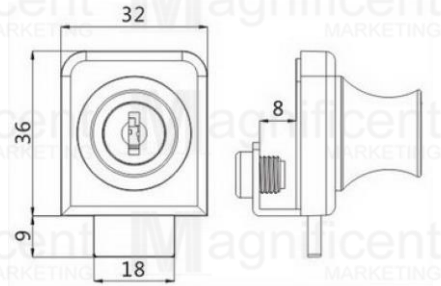


Includes:

- 1 Lock
- 2 Keys
- 2 Screws
- 1 Strike Plate

#239 CP

- D19xW32mm – **Php199/pc**
- Material: Zinc Alloy
- Glass Thickness: 4-7mm
- No glass drilling required
- Downward/Upward locking function
- Housing serves as a handle
- Packaging: 25sets/carton

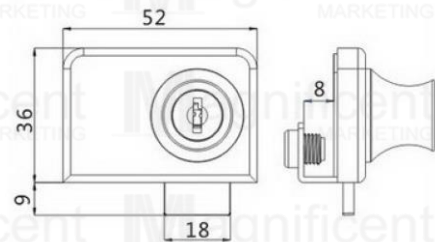


Includes:

- 1 Lock
- 2 Keys
- 2 Screws
- 1 Strike Plate

#258 CP

- D19xW52mm – **Php229/pc**
- Material: Zinc Alloy
- Glass Thickness: 4-7mm
- No glass drilling required
- Downward/Upward locking function
- Housing serves as a handle
- Packaging: 20sets/carton



General

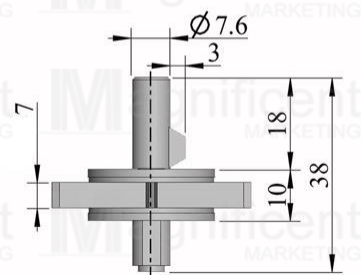
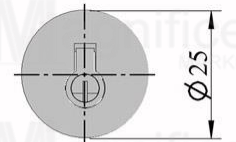


Includes:

- 1 Lock
- 2 Keys
- 2 Washers

#221 NP

- D7.6mm – **Php259/pc**
- Material: Zinc Alloy
- Glass Thickness: 4-7mm
- Packaging: 50sets/carton

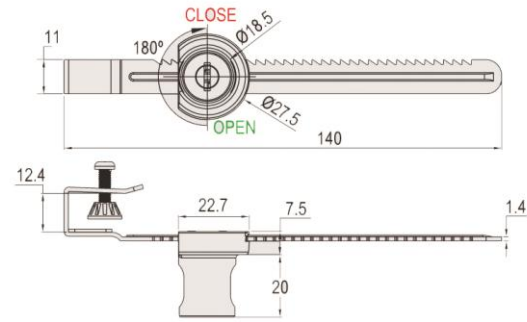




#9013 NP

- D18.5xL20mm – Php169/pc
- Ratchet Bar: 140mm
- Material: Zinc Alloy
- Glass Thickness: 4-10mm
- No glass drilling required
- Packaging: 12sets/carton

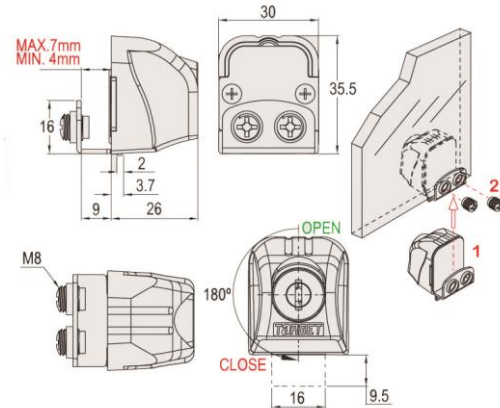
Includes:
-1 Lock
-1 Bar
-2 Keys
-2 Screws



#9014 NP

- L35.5xW30mm – Php129/pc
- Material: Zinc Alloy
- External Housing: ABS Plastic
- Glass Thickness: 4-7mm
- No glass drilling required
- Downward locking function
- Packaging: 12sets/carton

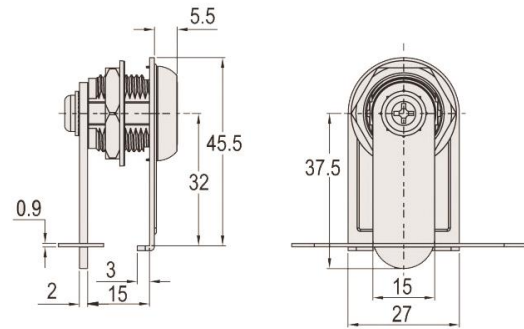
Includes:
-1 Lock
-2 Keys
-1 Foam Pad
-1 Bracket
-2 Screws



#9109 NP

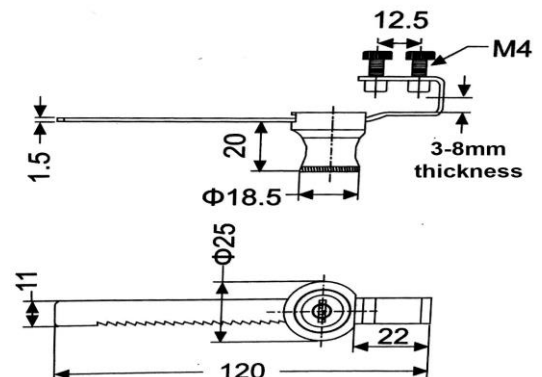
- L16mm – Php109/pc
- Material: Zinc Alloy
- Glass Thickness: 4-7mm
- Fixing Hole Size: 19mm
- Packaging: 12sets/carton

Includes:
-1 Lock
-2 Keys
-1 Cam
-1 Strike Plate
-Accessories



CHINA #110 CP

- D18.5xL20mm – Php79/pc
- Ratchet Bar: 120mm
- Material: Zinc Alloy
- Glass Thickness: 4-10mm
- No glass drilling required
- Packaging: 20sets/carton





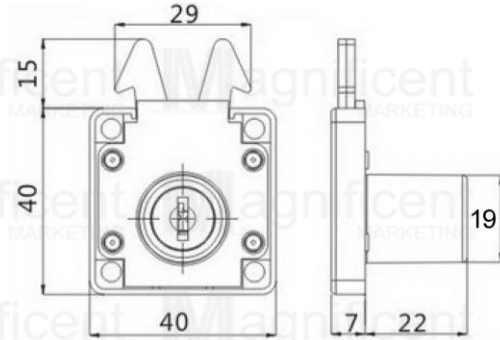
#202 CP

MORTISE/ROLLER SHUTTER LOCK

- D19xL22mm – Php175/pc
- Material: Zinc Alloy
- Wood Thickness: 16-20mm
- Fixing Hole Size: 20mm
- Packaging: 25sets/carton

Includes:

- 1 Lock
- 2 Keys
- 1 Bezel
- 1 Strike Plate



TARGET LOCK



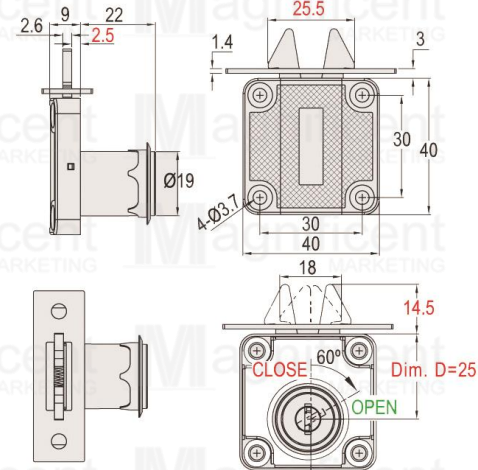
#9205 NP

MORTISE/ROLLER SHUTTER LOCK

- D19xL22mm – Php129/pc
- Material: Zinc Alloy
- Wood Thickness: 16-20mm
- Fixing Hole Size: 20mm
- Packaging: 12sets/carton

Includes:

- 1 Lock
- 2 Keys
- 1 Bezel
- 1 Strike Plate

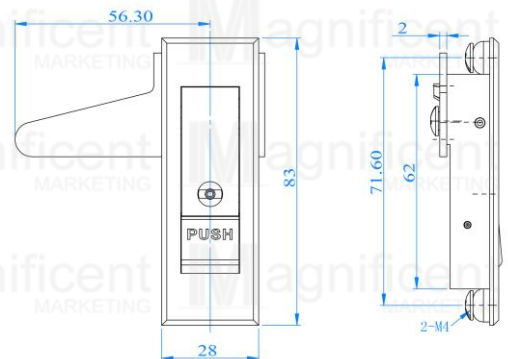


ELECTRIC PANEL LOCKS



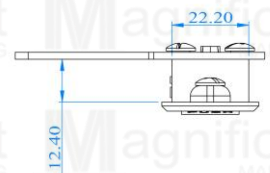
#245A CP Keyed

- L83xW28mm – Php169/pc
- Material: Zinc Alloy
- Mounting Hole Size: 99mm
- Packaging: 25sets/carton



#245B CP Keyless

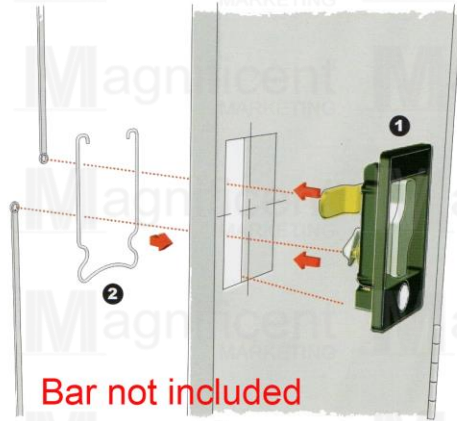
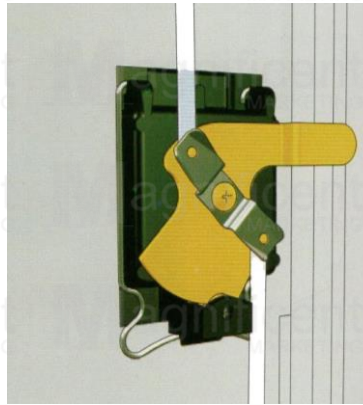
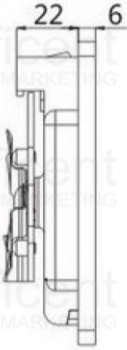
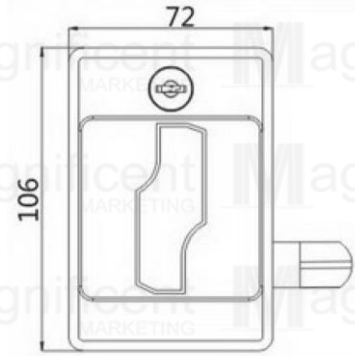
- L83xW28mm – Php149/pc
- Material: Zinc Alloy
- Mounting Hole Size: 99mm
- Packaging: 25sets/carton



COMPACT SHELVES PANEL CAM LOCKS FOR STEEL CABINETS

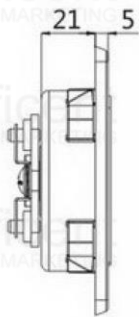
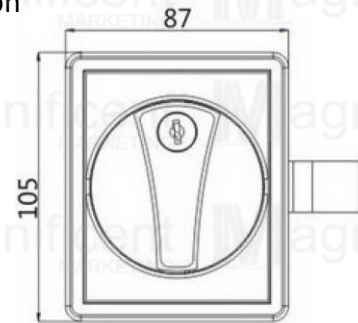
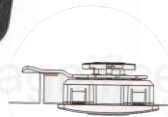
#178 CP

- W72xL106mm – Php369/pc
- Material: Zinc Alloy
- Packaging: 5sets/carton

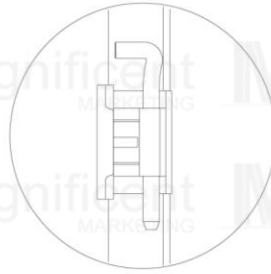
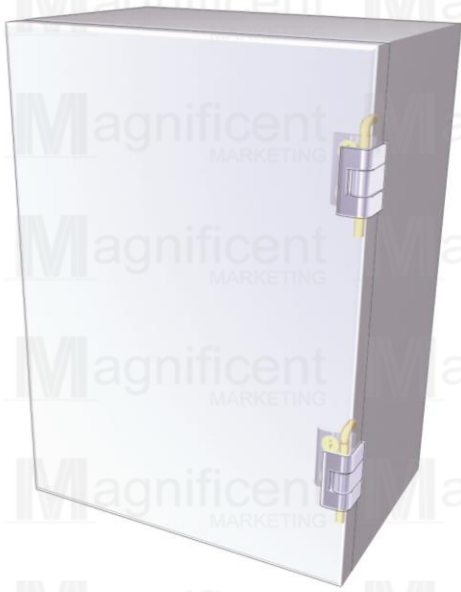


#076 CP

- W87xL105mm – Php289/pc
- Material: Plastic & Zinc Alloy
- Packaging: 5sets/carton



CONTROL BOX HINGES

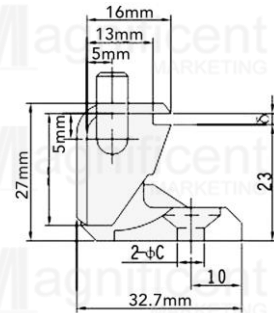
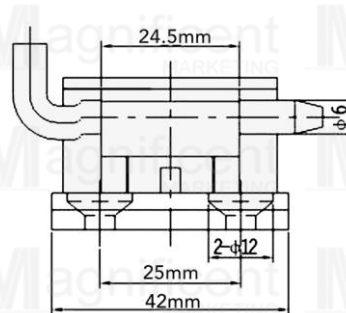


CHINA #170 CP (BIG)

- **Php169/pc**
- Material: Zinc Alloy
- Door Thickness: 2mm or less
- Packaging: 20sets/carton



Includes:
-1 Hinge
-1 Pin

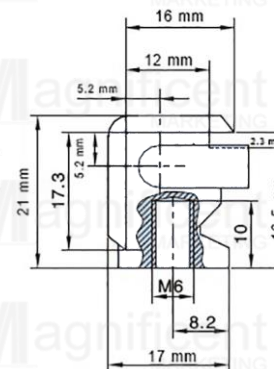
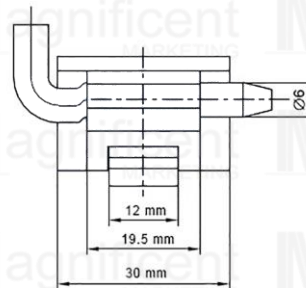


CHINA #171 BK (SMALL)

- **Php89/pc**
- Material: Zinc Alloy
- Door Thickness: 2mm or less
- Packaging: 20sets/carton



Includes:
-1 Hinge
-1 Pin



ELECTRIC PANEL LOCKS

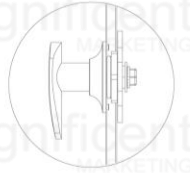
General



- Includes:
- 1 Handle Lock
 - 2 Keys
 - 1 Cam
 - 1 Hexagonal Nut
 - 1 Screw

A19 CP Keyed

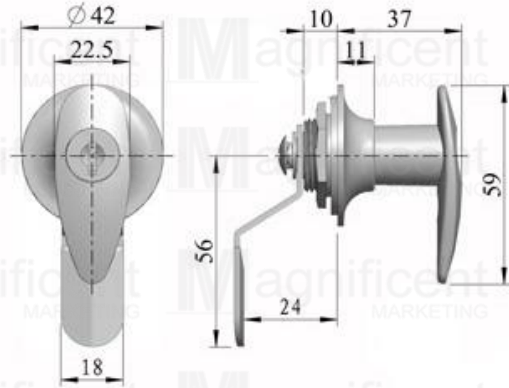
- **Php259/pc**
- Material: Zinc Alloy
- Packaging: 25sets/carton



- Includes:
- 1 Handle
 - 1 Cam
 - 1 Hexagonal Nut
 - 1 Screw

B19 CP Keyless

- **Php249/pc**
- Material: Zinc Alloy
- Packaging: 25sets/carton



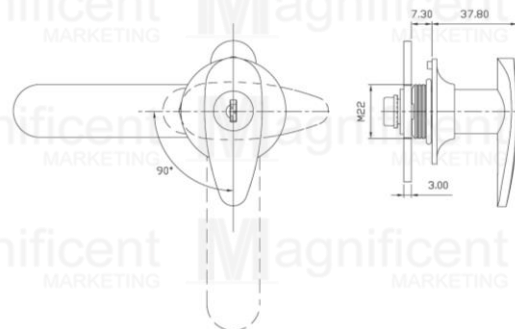
Cyber Lock®



- Includes:
- 1 Handle
 - 2 Keys
 - 1 Cam
 - 1 Hexagonal Nut
 - 1 Ring
 - 1 Screw

A19 CP Keyed

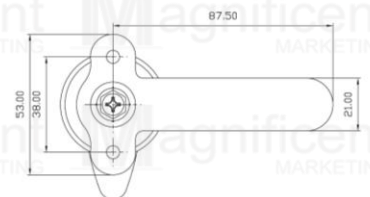
- **Php339/pc**
- Material: Zinc Alloy
- Packaging: 25sets/carton



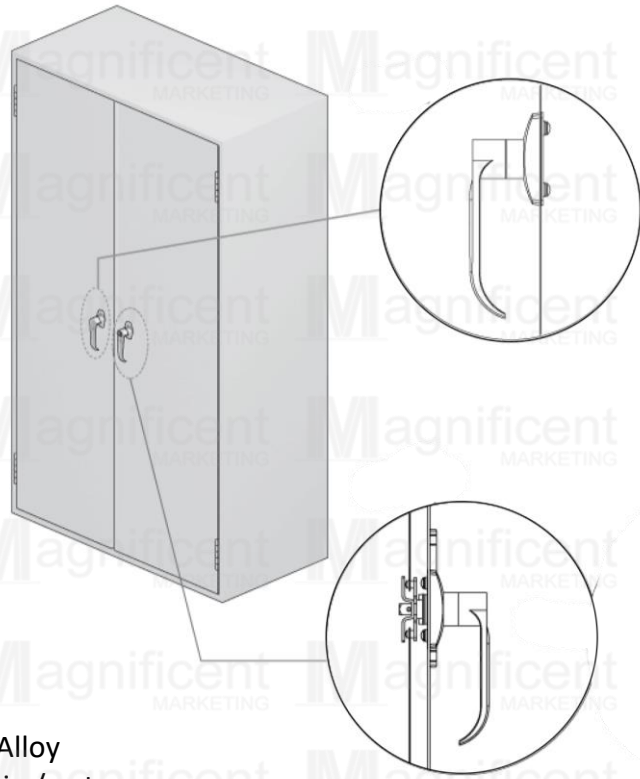
- Includes:
- 1 Handle
 - 1 Cam
 - 1 Hexagonal Nut
 - 1 Ring
 - 1 Screw

B19 CP Keyless

- **Php309/pc**
- Material: Zinc Alloy
- Packaging: 25sets/carton



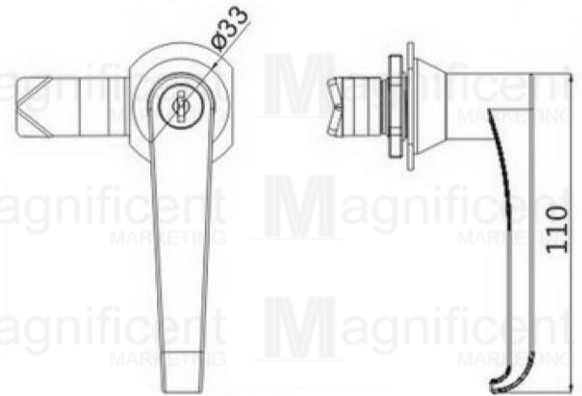
METAL STORAGE LOCKS



#185 CP

- **Php649/pair**
- **Material: Zinc Alloy**
- **Packaging: 8pairs/carton**

- Includes:
- 1 Handle
 - 1 Handle Lock
 - 2 Keys
 - 2 Cam



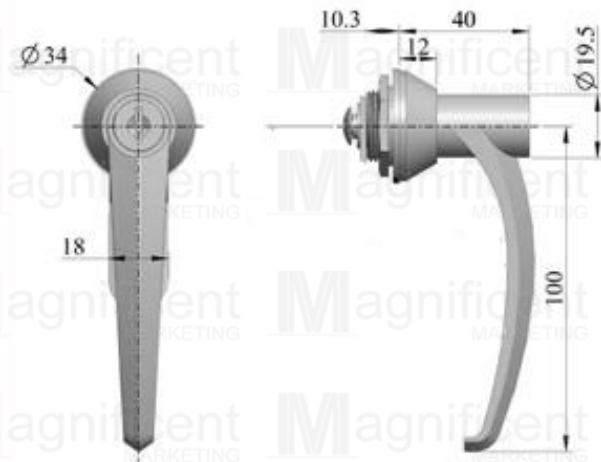
General



#266 CP

- **Php589/pair**
- **Material: Zinc Alloy**
- **Packaging: 6pairs/carton**

- Includes:
- 1 Handle
 - 1 Handle Lock
 - 2 Keys
 - 2 Cam



OTHER LOCKS



#4400 BP

CUPBOARD LOCK

- L60.4xW32xH9mm – Php89/pc
- Surface mounted
- Packaging: 15sets/carton



DRAW LATCHES



44mm

STAINLESS DRAW LATCH

#SS17-1" CP

- Php79/pc
- Packaging: 120sets/carton



54mm

STAINLESS DRAW LATCH

#SS17-2" CP

- Php119/pc
- Packaging: 100sets/carton



64mm

STAINLESS DRAW LATCH

#SS17-3" CP

- Php139/pc
- Packaging: 50sets/carton

STEEL DRAW LATCH

#C120-1" CP

- Php59/pc
- Packaging: 120sets/carton

STEEL DRAW LATCH

#C120-2" CP

- Php99/pc
- Packaging: 100sets/carton

STEEL DRAW LATCH

#C120-3" CP

- Php109/pc
- Packaging: 50sets/carton