

# DOOR CLOSER, FLOOR HINGE & PANIC DEVICE



**M**magnificent  
MARKETING

• DIRECT IMPORTER • WHOLESALER • RETAILER

## Your Builders' Hardware Partner

**ADDRESS:** 531 T.ALONZO ST., STA. CRUZ  
MANILA  
**HOURS:** MONDAY-SATURDAYS,  
8AM - 5PM  
**CONTACT:** 8 - 733 5738 ; 7 - 000 5295

**EMAIL:** [magnificenthardware@gmail.com](mailto:magnificenthardware@gmail.com)  
**WEBSITE:** [www.magnificenthardware.com](http://www.magnificenthardware.com)  
**FACEBOOK:** @magnificentmarketing  
**VIBER:** 0936 979 2353

# DOOR CLOSER

## FOR WOODEN & METAL DOOR

#71, #72, #73  
Surface Applied Door Closer

Mechanism automatically closes a door after someone opens it

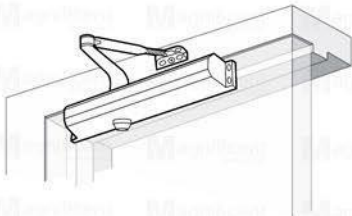
**ADJUSTABLE SUPPORT ARM**  
The telescopic arm can be adjusted to flex freely even if the door frame and the door leaf are not on the same plane

**ALUMINUM ALLOY**  
Strong aluminum alloy sealing strong refused spill

**TWO STAGE SPEED REGULATION**  
High strength 45 carbon steel hardness higher life long

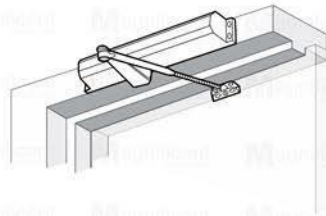


REGULAR ARM INSTALLATION



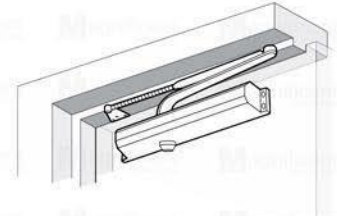
The door closer is installed on the door side where hinges are apparent (PULL SIDE)

TOP JAMB INSTALLATION



The door closer is installed on the door side where hinges are not apparent (PUSH SIDE)

PARALLEL ARM INSTALLATION



The door closer is installed on the door side where hinges are not apparent (PUSH SIDE)

Information	#71	#72	#73
Width of door max (mm)	850 - 950	950 - 1100	1250 - 1400
Weight of door max (kg)	45	60	80
Dimension:			
Length	150	176	202
Width	36	41	45
Height	55	63	69
Passed durability test	500,000 Cycles	500,000 Cycles	500,000 Cycles

# Tajima



# DOOR CLOSER

## FOR WOODEN DOOR

#93

Concealed Door Closer



90 DEGREE HOLD OPEN

### Information

Width of door max (mm)	950
Weight of door max (kg)	60
Dimension:	
Length	230
Width	31
Height	61.5
Passed durability test	500,000 Cycles

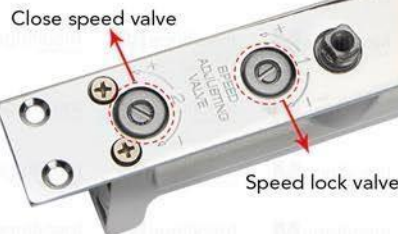
#### DOOR CLOSER MAIN BODY

Made of aluminum alloy using the electroplating process



#### TWO SPEED ADJUSTMENT

CLOSE/LOCK SPEED  
Rotate the screw to the left or right to change closing speed



#### OPENING AND CLOSING

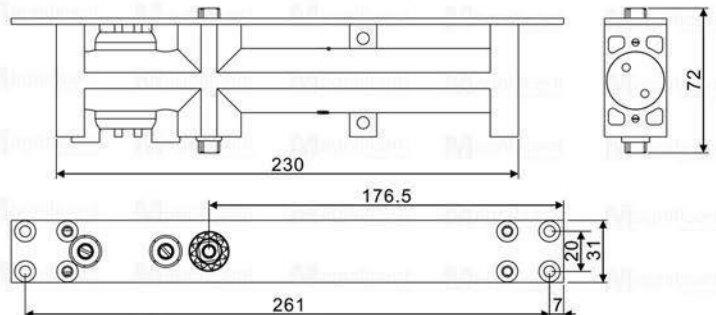
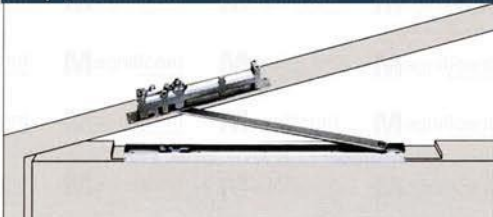
WITHOUT DIFFERENCE  
Axis screws are used to fix the motion axis



#### Standard installation



#### Top jamb installation



Tajima

# DOOR CLOSER

## FOR ALUMINUM DOOR

#30-32

Concealed over head  
door closer

**90°** 90 DEGREE HOLD OPEN

Fully adjustable in door alignment, vertical positioning, heel to frame positioning via arm, arm channel and bottom pivot.

Compact body size fits in 1012mmx45mm (4"x1 3/4") transom.

Spring tension for medium duty use with maximum door weight of 110kg.

Each closer is supplied with either side or end loading arm and bottom pivot.

Easy and accurate speed adjustment by dual speed regulating valves.

Maximum door opening (back stop) angle at 90° in each direction.

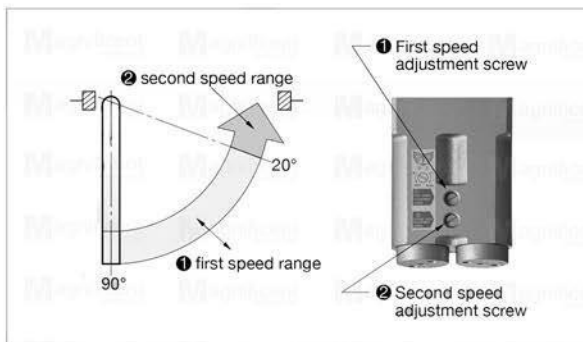
Center pivoted, applicable to single and double action.



## Speed adjustment

Turn adjustment screw

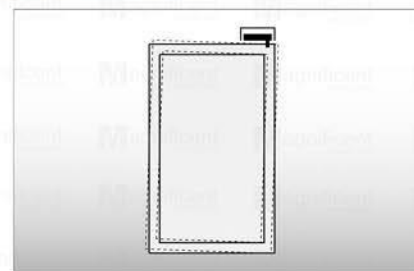
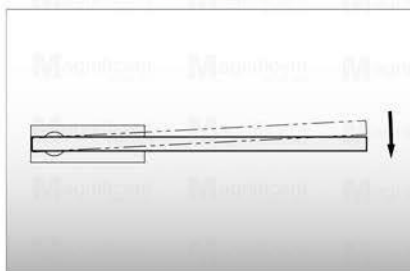
1. for desired first speed
2. then turn adjustment screw to produce a suitable second speed



Information	#30-32
Weight of door max (kg)	110
External width of door (mm)	1,050
Internal width of door (mm)	900
Adjustable closing speed	YES
Hold-on open	90° Degree

**Adjusting door closed position** Closed position adjustable by screw A after loosening screw C

**Adjusting door parallel position** Clearance adjustable by screw B after loosening screw C



**Tajima**



# DOOR CLOSER

## #AP001

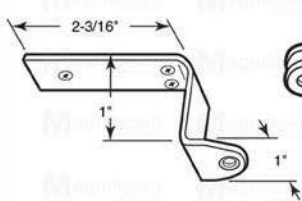
### ALUMINUM DOOR CLOSER



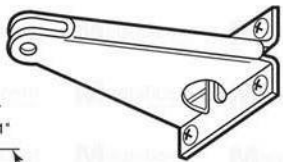
#### Information

Material	Aluminum
Width of door max (mm)	up to 1.25" +
Weight of door max (kg)	35kg
Power Size	Medium Duty
Cylinder Size	32mm(1-1/4")
Length Size	265mm(10.5")

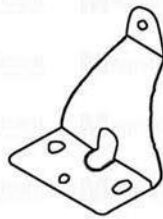
#### ACCESSORIES INCLUDED



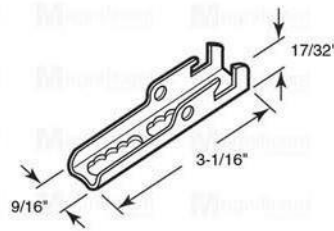
Side Mount  
Bracket



Top Mount  
Bracket



Door  
Bracket



Door  
Bracket



Pin for  
jamb bracket



Hold open clip



Washer & Torx for pin



Speed  
adjusting screw

Repair kit

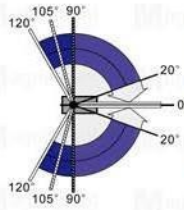


# ALPHA

# FLOOR HINGE

## #4003

FOR WOOD, METAL  
OR GLASS DOOR



### Information

Width of door max (mm) 650-950

Weight of door max (kg) 90

Weight of body (kg) 7.66

#### Dimension:

Length 310

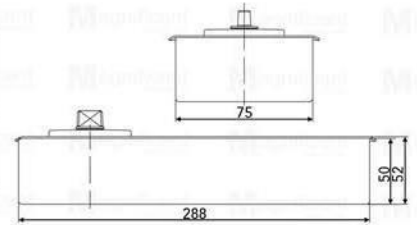
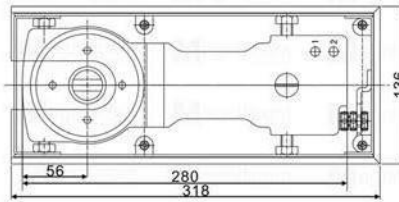
Width 124

Height 58

Passed durability test 500,000 Cycles



**90°** 90 DEGREE HOLD OPEN



### CLOSING SPEED ADJUSTMENT

1. 90° - 15° Door closing speed
2. 15° - 0° Closing Speed

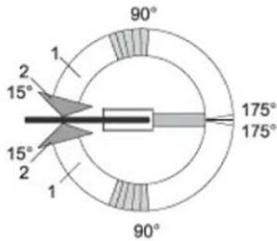
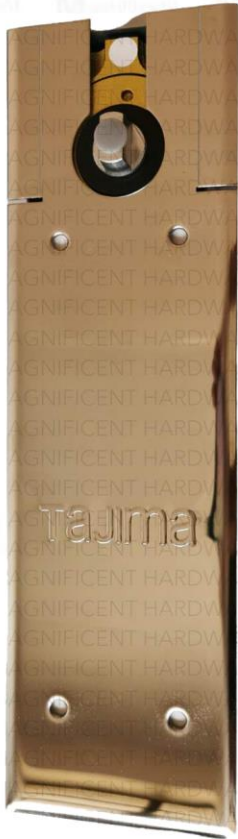
# Tajima



# FLOOR HINGE

## #4008

FOR WOOD, METAL  
OR GLASS DOOR



### Information

Width of door max (mm) 1500mm

Weight of door max (kg) 300kg

Max open angle 360°

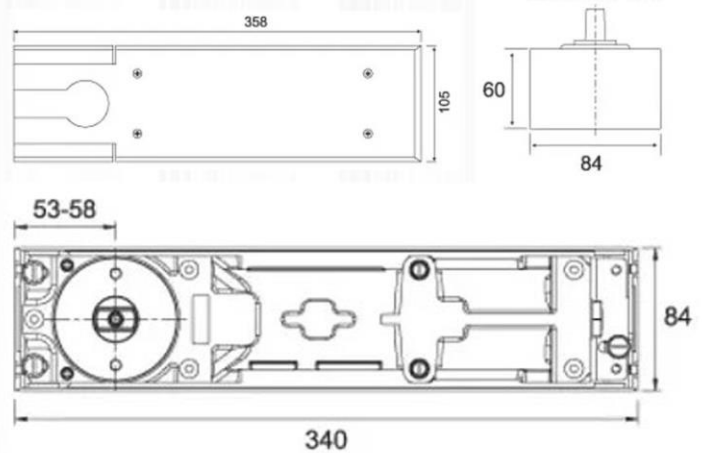
### Dimension:

Length 340

Width 84

Height 60

Passed durability test 1,000,000 Cycles



### TECHNICAL DATA

HOLD OPEN		90° / 180°
CLOSING SPEED ADJUSTMENT	SPEED 1	180° - 15°
	SPEED 2	15° - 0°
APPLICABLE TEMPERATURE		-45°C - 45°C
APPLICABILITY: LEFT OPEN, RIGHT OPEN, SINGLE SIDE OPEN OR BOTH SIDE OPEN		



# Tajima

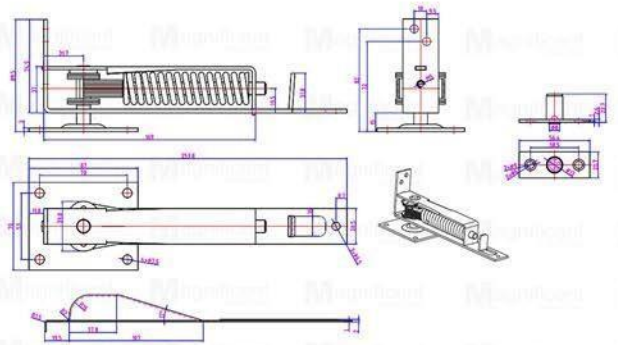


# FLOOR HINGE

## #777 FLOOR HINGE

### Information

Width of door max (mm)	35-45
Weight of door max (kg)	35
Type	Adjustable Spring
Hold-open	90° Angle



Antique



Gold



Silver



Corona

ロツク



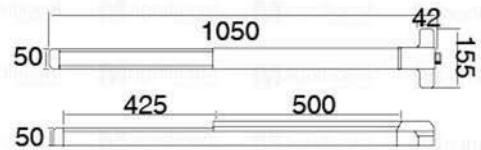
# DOOR SECURITY

## PANIC DEVICE

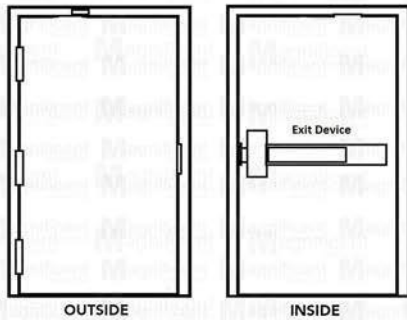
#PD002(STEEL) & #PD003(STAINLESS)  
Emergency Exit Device

### Information

Material	Steel or Stainless
Length	1 meter
Included	Cylinder Lock Mounting accessories

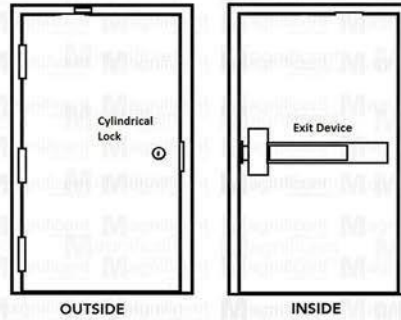


Installing cylinder lock is OPTIONAL



If there is no cylinder lock, there is no passage from the outside

Installing cylinder lock is OPTIONAL



If there is a cylinder lock, there is passage from the outside

### PANICE DEVICE INSTALLATION GUIDE

**1** outboard installation of trumpet head, open a hole according to the configured size M5(2)

**2** install the cylinder collar with screws make the lock-tongue extend to 7mm of door surface

**3** put the switched plate into the hole

fix the lock one door with screws take the front and back cover off before install it

**4** the front and back cover fix on the door with screws

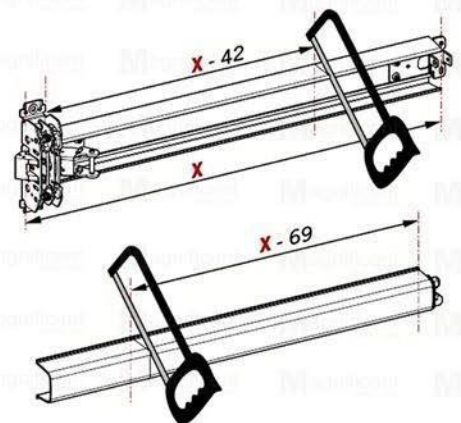
**5** the situation of single door

installation of single door sealing plate

Backset: measure from edge of 55.3

**6** please operate according to the drawing lest the lock function not well

### PANIC DEVICE CUT



# Tajima



## PANIC DEVICE

#PD005(SOLID STEEL)  
Emergency Exit Device

### Information

Material Solid Steel

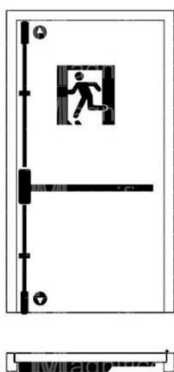
Length 1 meter

All mounting accessories included

Can be used for wood or metal doors



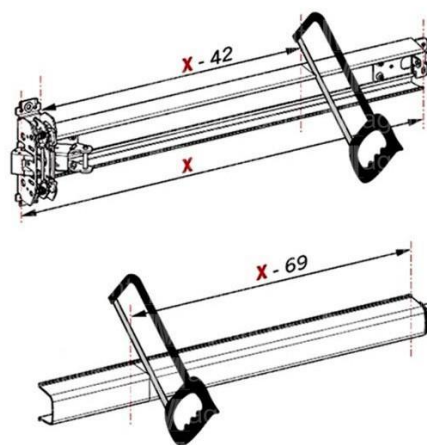
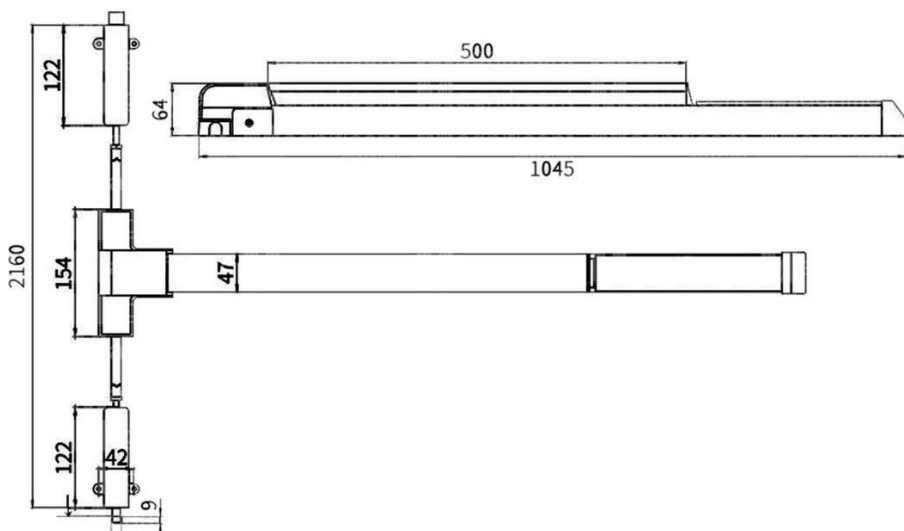
FOR SINGLE DOOR



FOR DOUBLE DOOR



## PANIC DEVICE CUT





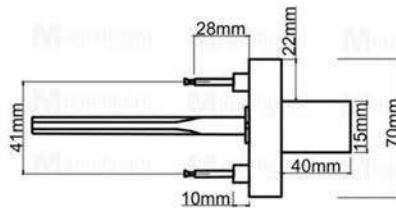
# DOOR SECURITY

## LEVER LOCK

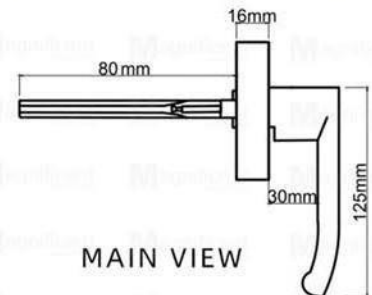
#08 PANIC DEVICE  
LEVER LOCK



SIDE VIEW



TOP VIEW



MAIN VIEW

### Information

Finish	Nickel Satin
Flange diameter	72mm
Backset	60mm (2-3/8")
Door Thickness	45mm (1-3/4") tp 55mm (2-1/8")
Included	3 keys



WATCH OUR YOUTUBE TUTORIAL

SKU: PD003\_PanicDevice

Tajima Panic Device Exit Door Hardware Installation

<https://youtu.be/tzcbiS2iohl>

**Tajima**