

DOORS AND CABINET HINGES



Mmagnificent
MARKETING

• DIRECT IMPORTER • WHOLESALER • RETAILER

Your Builders' Hardware Partner

ADDRESS: 531 T.ALONZO ST., STA. CRUZ
MANILA
HOURS: MONDAY-SATURDAYS,
8AM - 5PM
CONTACT: 8 - 733 5738 ; 7 - 000 5295

EMAIL: magnificenthardware@gmail.com
WEBSITE: www.magnificenthardware.com
FACEBOOK: @magnificentmarketing
VIBER: 0936 979 2353

DOOR HINGES

PIVOT HINGE

360° DEGREE ROTATING



small

big

Information

Material:	Stainless Steel
Weight of door max (kg)	
Small	70kg
Large	100kg
Rotation	360° Degree
Dimension:	
Small	100 x 25 mm
Large	150 x 30 mm
Diameter size:	18mm
Thickness	4mm

FOR CENTER SWING PANEL



CONCEALED PIVOT HINGE

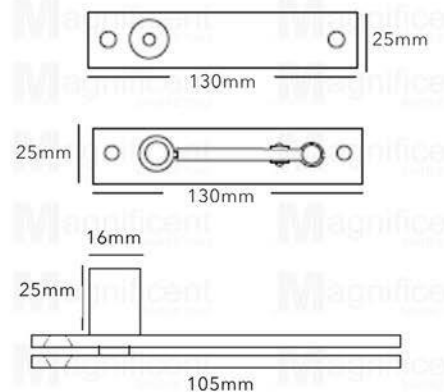
360° DEGREE ROTATING



Information

Material:	Stainless Steel
Weight of door max (kg)	140kg
Rotation	360° Degree

FOR SIDE SWING PANEL



Tajima

DOOR HINGES

STAINLESS 304 PIVOT HINGE

360° DEGREE ROTATING

Information

Material:	Stainless Steel 304
Weight of door max (kg)	400kg
Rotation	360° Dregree

FOR CENTER SWING PANEL



Measurement



Tajima

DOOR HINGES

LOOSE PIN BALL BEARING

DOOR HINGE

Silver

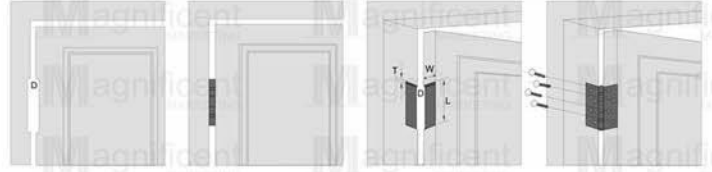
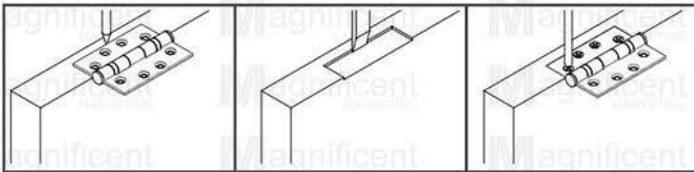
Black



- Material: Stainless Steel 304
- Finish: Stainless or Matte Black
- Loose Pin
- Ball Bearing
- Packaging: 2 pieces
- Stainless screws included

A width	B length	C thickness
3"	3"	2mm
3.5"	3.5"	2.5mm
4"	3"	3mm
4"	4"	3mm

INSTALLATION GUIDES



BUCCI

DOOR HINGES

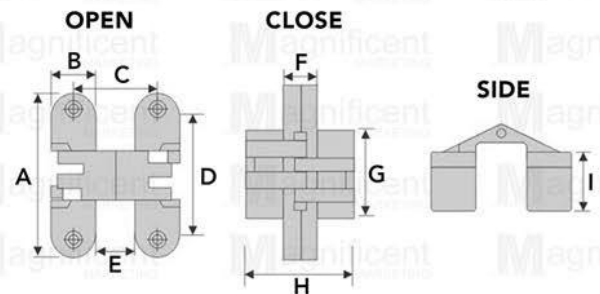
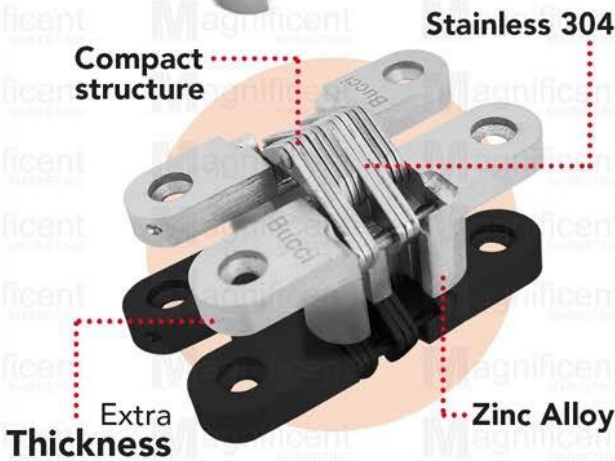
INVISIBLE HINGE



- Material: Stainless Steel 304
- Finish: Satin Brass/Chrome
- Kindly check size chart
- Packaging: 2 pieces
- Comes with screws



Features



Item No.	DIMENSIONS (in mm)										Weight per pair
	A	B	C	D	E	F	G	H	I	Thickness	
#203	45	14	23	33	10	10	18	35	17	20	10kg
#204	60	13	25	50	10	12	30	37	18	20	20kg
#208	70	16	30	55	12	15	32	46	23	25	30kg
#212	95	19	35	77	16	23	50	55	29	30	50kg
#216	118	28	54	91	26	25	63	81	41	40	80kg
220	139	35	50/80	105/115	30	27	72	100	50	50	100kg

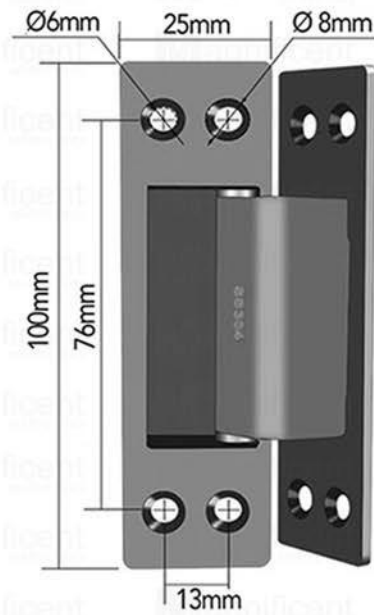
DOOR HINGES

INVISIBLE HINGE

STAINLESS STEEL 304 HINGE



- Material: Stainless Steel 304
- Finish: Stainless or Matte Black
- Screws included
- Length: 100mm x 25mm
- Packaging: 1 piece
- Function: 120° Door opening
- Screws included



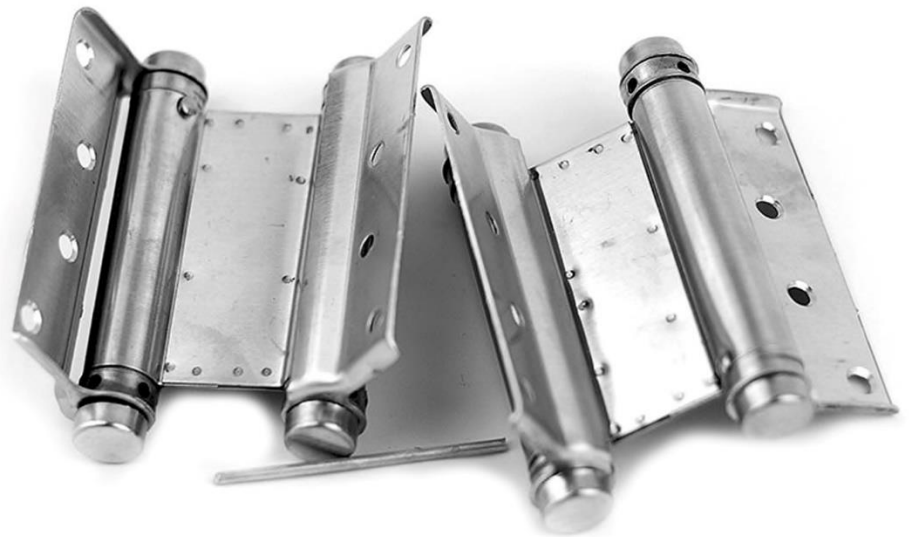
DOOR HINGES

DOUBLE ACTION HINGE

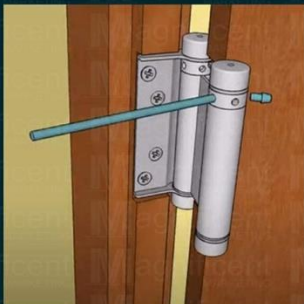


- Easy opening & closing action is faster than floor springs or transom type closers
- Stainless steel options are tough, ideal for exterior doors & cold room stores
- Quiet operation makes them suitable for quality restaurants
- Packaging: 2 Pieces

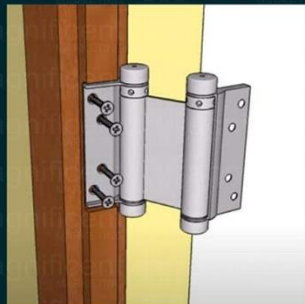
SIZE	Door Thickness	Door Weight (per pair)
3 inches	20-32mm	15kg
4 inches	25-43mm	20kg



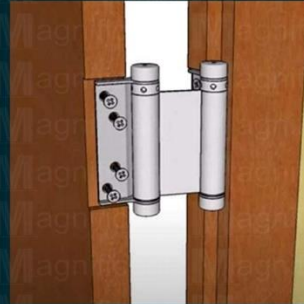
INSTALLATION



1. REMOVE THE PIN
Use the bar to remove the pin first



2. PREPARING THE FRAME
Mark the holes and then screw the hinges to the frame



3. PREPARE THE DOOR
Mark the holes and then screw the hinges to the door



4. ADJUST THE RESILIENCE
Stick the adjusting bar to the adjusting hole to adjust the hole position and then insert the pin to fix the position (Different holes represent different resilience)

Tajima

DOOR HINGES

LIGHT DUTY FLAG HINGE

STAINLESS 304



- Material: Stainless Steel 304
- For PVC Door
- Size: 64x100mm
- Packaging: 1 piece
- Screws included

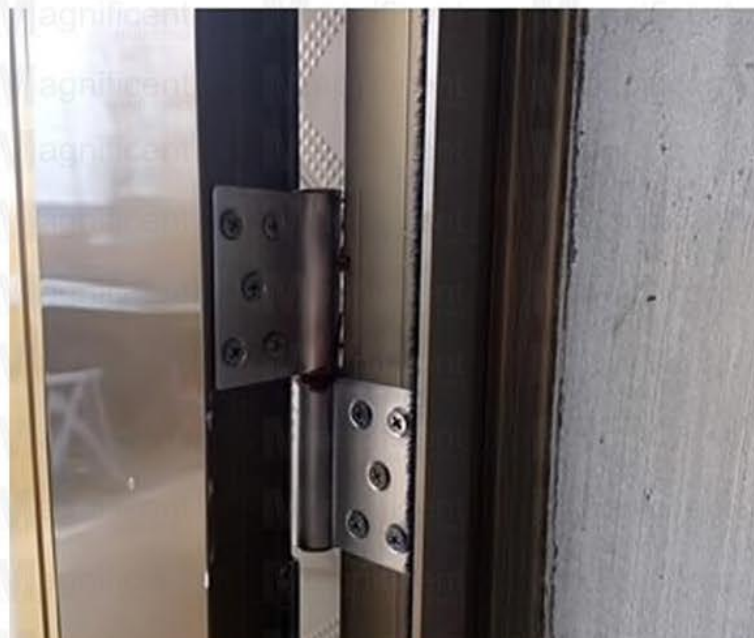


HEAVY DUTY FLAG HINGE

STAINLESS 304



- Size: 127x100mm
- Packaging: 2 pieces
- Screws included



CABINET HINGES

PIANO HINGE

STAINLESS HINGE



- Also known as piano hinges for their primary use on piano lids
- Easy to install when compared to butt hinges; no rebating is required as the hinges are surface fitted to both the door & the frame
- Can be cut to the required size
- Width: 38mm (1-1/2")
- Length: 1800mm (70")
- Stainless screws included

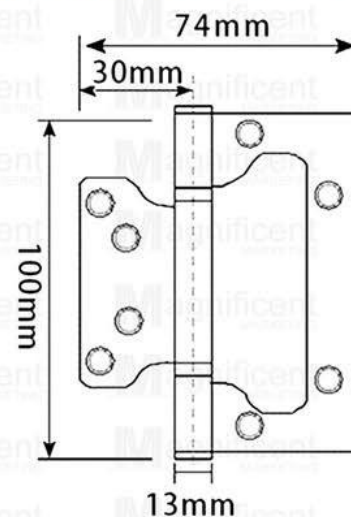


FLUSH HINGE

STAINLESS HINGE



- Material: Stainless Steel 304
- Size: 4" x 3"
- Thickness: 2.5mm
- Packaging: 2 pieces
- For inset and non-mortise doors
- Stainless screws included



DOOR HINGES

MULTIFUNCTIONAL

HEAVY DUTY HINGE



- Functions as a loose pin hinge, door closer and door stopper
- Material: Zinc Alloy
- Finish: Antique Brass, Brass Plated, Satin Nickel
- Packaging: 2 Pieces

Multifunctional Hinge Dimension



Open the two-sheet of the multifunctional hinge to 90degree. It is installed on the door like a normal hinge.

Open the door to 15-20degree to let the doorstop automatically.

Take out the spare hex key wrench and find the adjustment hole

Use the hex key wrench to make the closing speed reach the required speed.

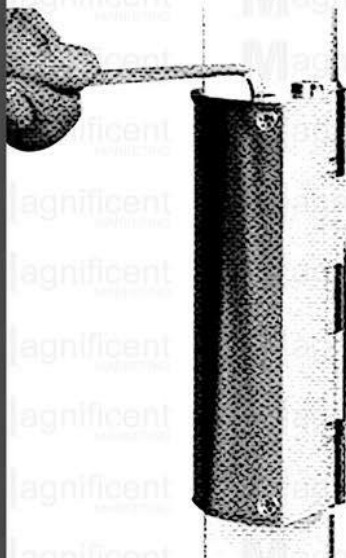
INSTALLATION GUIDE

This multifunctional hinge integrates all the three functions of door closer, door stopper and ordinary hinge. It has excellent craftsmanship and technology that can last three times longer than that of ordinary door closers.



Maintenance

- Do not scratch this product with sharp or hard objects.
- Do not spray corrosive chemicals on the product.



Increase the speed of closing the door

Slow down the speed of closing the door

DOOR HINGES

STAINLESS 304

NARROW BUTT HINGE

LIGHT DUTY



STAINLESS STEEL 304

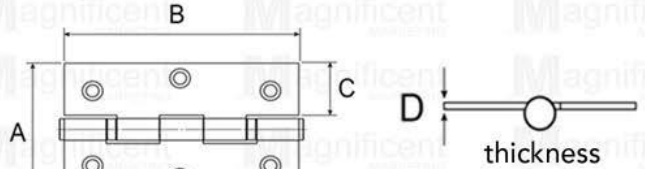
HEAVY DUTY



THICKER

STAINLESS STEEL 304

- Material: Stainless Steel 304
- Packaging: 2 pieces
- Heavy Duty (HD) hinges are thicker than light duty (LD) hinges



SIZE	A width	B length	C half side	D thickness
LD-1.5"	30	38	12	0.7
LD-2"	34	52	15	0.7
LD-2.5"	38	65	17	0.7
LD-3"	44	76	19	0.8
HD-2"	36	50	16	1.0
HD-2.5"	40	63	17	1.0
HD-3"	44	75	18	1.3

SOLID BRASS

NARROW BUTT HINGE



SOLID BRASS



- Size: 2.5" x 1.3/8mm
- Material: Solid Brass
- Finish: Polished Brass
- Packaging: 2 pieces
- Brass screws included

SIZE	A width	B length	C half side	D thickness
SB-1"	15	26	9	1.1
SB-1.5"	23	37	10	1.3
SB-2"	28	50	12	1.0
SB-2.5"	33	63	15	1.4
SB-3"	45	76	17	1.5

DOOR HINGES

BALL TIP

ANTIQUÉ BRASS



SOLID BRASS



- Finish: Antique Brass or Polished brass
- Packaging: 2 pieces
- Screws included



Antique code & size	Brass code & size	A width	B length	C half side	D thickness
8200-2"	8197-2"	34	50	13	1.0
8201-2.5"	8197-2.5"	43	63	15	1.1
8202-3"	8197-3"	50	75	20	1.2

CROWN BALL TIP PROFILE

SOLID BRASS



- Material: Solid Brass
- Finish: Polished Brass
- Packaging: 2 pieces
- Screws included

SIZE	A width	B length	C half side	D thickness
Profile 2"	27	50	9	1.2
Profile 2.5"	33	6	13	1.3
Profile 3"	40	75	16	1.4

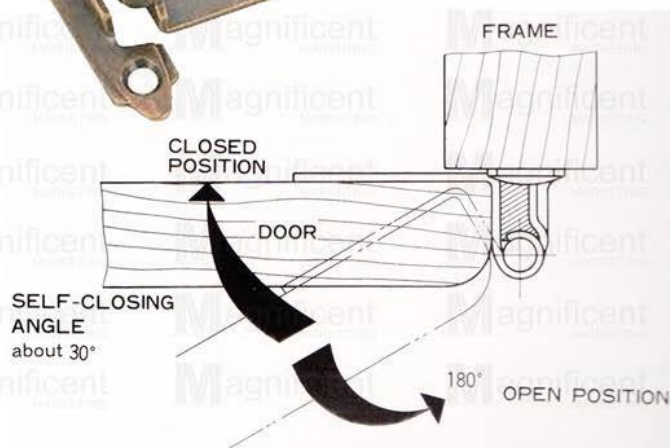
CONCEALED FLAP HINGE



- Cup diameter: \varnothing 35mm
- Material: Zinc Alloy
- Finish: Nickel Plated
- Opening angle ($^{\circ}$): 90 Degree
- Cup Depth: 12.5mm
- Mounting option: for screwing on
- Sold it by Pair (2 Pieces)



SELF CLOSING HINGE



- Finish: Antique Brass, Brass Plated, Nickel Plated.
- Cabinet Doors stay closed when Self-Closing Hinges are on the job
- Cabinet Doors close automatically about 30° and quietly, or they stay open in any position beyond the self-closing point
- Packaging: 2 pieces

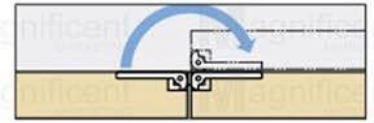


CABINET HINGES

SEWING MACHINE HINGE



- Finish: Polished Brass
- Dimension: 70*30*3 mm (L*W*H)
- Double pivot hinge allows 180° opening
- Packaging: 2 pieces
- Screw not Included



FLAP HINGE



- Material: Steel
- Finish: Brass Plated
- Packaging: 2 Pieces
- Dimension: 80mm x 31mm
- Screw Included

