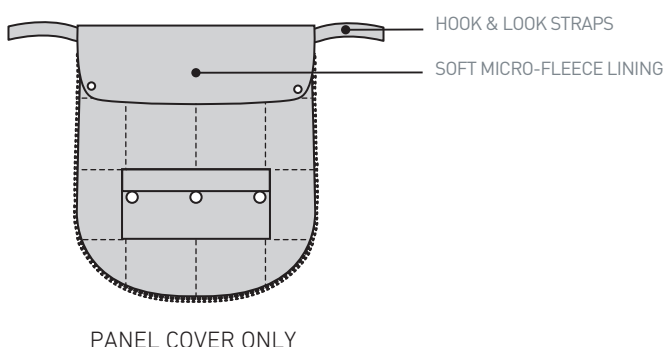
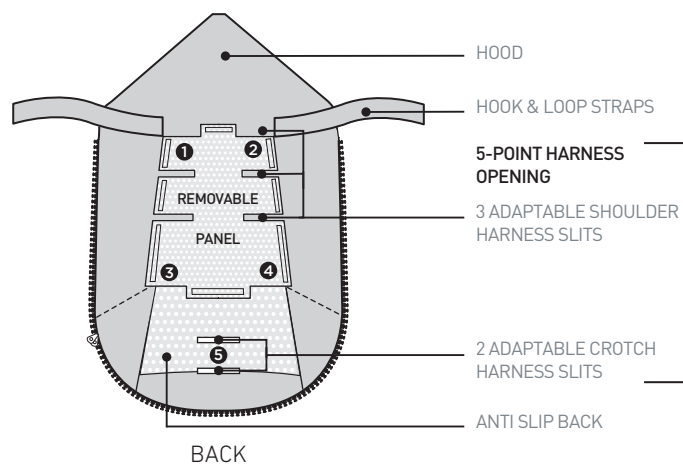
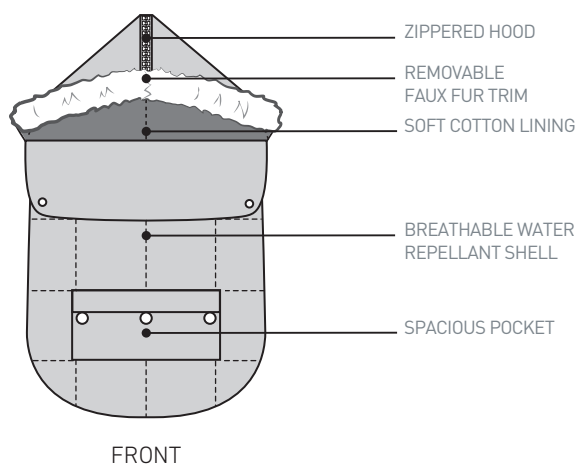


7 A.M.[®]
ENFANT
PARIS
NEW YORK

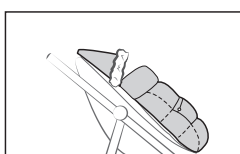
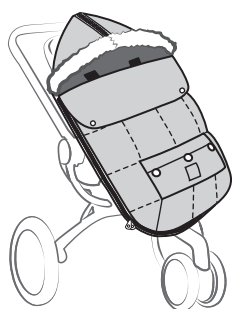
User Manual
LE SAC IGLOO[®]

User Manual

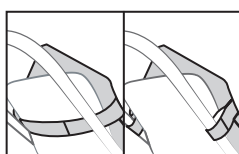
LE SAC IGLOO®



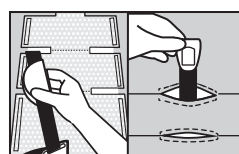
HOW TO USE ON STROLLER



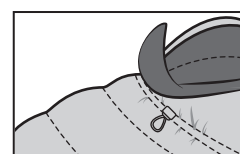
- 1 Place the Sac Igloo onto the stroller.



- 2 Use the hook & loop straps located on the sides of the Sac Igloo to attach to the stroller's back or sidebars to secure it.
- 3 Unzip the Sac Igloo cover.

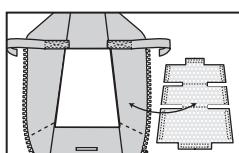
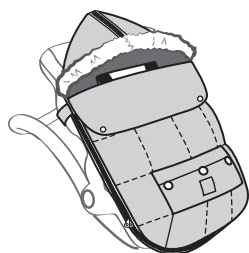


- 4 Pull the stroller's 5-point harness through the opening slits located on the back of the Sac Igloo by choosing the height of the slits corresponding to your child's size.
- 5 Seat your child on the Sac Igloo in the stroller and fasten the safety harness as per manufacturer's instructions.



- 6 Zip the Sac Igloo cover up.
- 7 Adjust the snugness using the elastic drawstring located underneath the top flap to create a smaller enclosure around your child's face.

HOW TO USE ON CARSEAT



- 1 Detach the removable back panel to reveal the large back opening and to eliminate material between your baby's back and the car seat. Store it for stroller use.

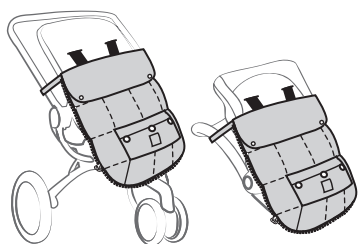


- 2 Place the Sac Igloo onto the car seat and unzip the front panel to open the Sac Igloo.
- 3 Pull the car seat's 5-point harness through the large back opening.



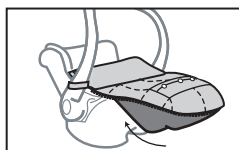
- 4 Seat your child on the Sac Igloo in the car seat and fasten the safety harness as per manufacturer's instructions.
- 5 Zip the Sac Igloo cover up.

HOW TO USE ONLY FRONT PANEL COVER

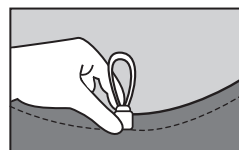


On Stroller On Car Seat

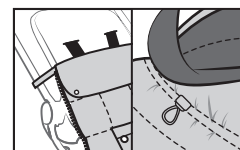
- 1 Seat your child in the stroller or car seat and fasten the safety harness as per their manufacturer's instructions.
- 2 Unzip the front panel cover. Save the Sac Igloo's back for later use.



- 3 Take the front panel cover and slip its inner bottom pouch over the bottom of the stroller or car seat to secure the cover.
- 4 Pull the pouch's elastic drawstring to adjust the tightness.



- 5 Pull the elastic drawstring under the pouch to adjust tightness.



- 6 Use the hook & loop straps located on the sides of the front panel cover to attach to sidebars.
- 7 Use the elastic drawstring located underneath the top flap to adjust the snugness.

The Sac Igloo is machine washable. Remove the faux fur trim before machine washing. The care label is located on the internal side of the product.