

Rinnai

Operation / Installation Manual

操作 / 安装说明

Petunjuk Pemakaian / Pemasangan

Hoạt động / Hướng dẫn lắp đặt

คู่มือการติดตั้ง/การใช้งาน

Slim Line Hood

RH-S259-SSV-T

RH-S259-PBV-T

RH-S259-SSR-T

RH-S259-PBR-T

Rinnai Corporation

TABLE OF CONTENTS

English

Page 1 - 7

Version: 2015.06

CONTENTS

Safety warnings -----	1
Specifications & components-----	3
Installation -----	4
Operation-----	5
Maintenance and care -----	6
Troubleshoot -----	7



IMPORTANT

To register your product warranty, please paste the serial numbers stickers enclosed with the packaging on your warranty card. Please contact your local Rinnai Customer Care Centre should you require further assistance.

SAFETY WARNINGS

Please read this user manual thoroughly before attempting to use this appliance for the first time. This manual contains important information on safe installation, use and care of the appliance. Keep these instructions for reference and pass them on to future user.

Unpacking

- Do not use the appliance if there are obvious signs of transportation damage.
- If the power supply cord is damaged, it must be replaced by the manufacturer, its service agent or qualified technician to avoid hazard.
- Please ensure that young children do not play with plastic bag packaging.

For the installer

- The extractor hood can be installed over gas and electric cook top. Minimum installation height from the bench top to the bottom of the hood is 700mm (gas range) and 550mm (electric range) (Fig. 1).

For the user

- The extractor hood is designed for domestic use to eliminate unpleasant odors from the kitchen. Do not use the hood for uses other than its specific purpose.
- Do not allow young children to play with or operate the appliance. Supervise its use by the elderly or infirm.
- Installation and repair should be attempted by qualified technical personnel only.
- It is dangerous to modify any part of this appliance. Tampering with electrical connections or mechanical parts can cause operation faults and may put the user at risk.
- Never leave high naked flames under the extractor hood when it is in operation. Always cover lit burners with cookware.

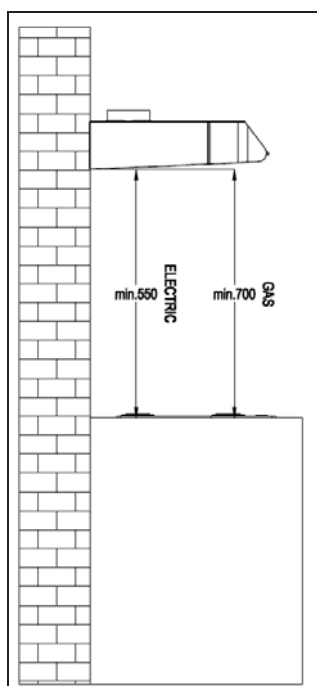


Fig. 1

- Always mount the extractor hood over the center of the hob.
- Ensure that the appliance is installed in a location with good permanent ventilation.
- When making the electrical connections, check that
 - the mains voltage and frequency corresponds to the technical information shown on the rating plate.
 - Electrical connection must be made in accordance to local standards only. Check that the voltage in your area is correct before plugging in.
- Use an electrical connector with earth that is correct for your location. The electrical connection of this appliance must be connected to earth (*where applicable*):
 - Green & Yellow = EARTH; Blue = NEUTRAL; Brown = LIVE
- Ducted mode:
 - Connect the extractor hood to the exhaust duct through a pipe of minimum $\text{Ø}150\text{mm}$. Use the shortest and straightest duct route possible.
 - Do not connect the extractor hood to exhaust ducts carrying combustion fumes.
 - Arrange proper ventilation if the extractor hood is used in conjunction with other appliances which are not supplied by electrical power e.g. gas burning appliances. The kitchen must have a direct opening to the outside in order to allow entry of fresh air.

Note: The manufacturer accepts no responsibility for complaints attributed to the design and layout of the pipe work.

- Do not flambé or grill with an open flame directly under the extractor hood. Flames could be drawn up into the hood by the suction and the grease filters may catch fire.
- Monitor cooking continuously as overheated oil increases the risk of self-ignition.
- Do not operate the extractor hood without a grease filter.
- It is important to clean and/or replace the filters at appropriate intervals.
- Grease deposits build-up increases the risk of fire.
- Always disconnect the unit from the power supply before carrying out any cleaning or maintenance work on the hood.
- Ensure that the power supply chord is free from any heat source or sharp objects.
- Multiple plugs and extension cables must not be used. Overloading is dangerous and may cause a fire hazard.

Disposal

- This appliance and its packaging are environmentally friendly and recyclable. Please help us to care for the environment by disposing the packaging in a proper manner and recycling any old appliances.
- Before disposing an old appliance, disconnect it from the power supply and cut the power supply cord to prevent hazards.

The manufacturer will not be held liable for any damages resulting from improper installation nor failure to adopt proper safety measures during installation and operational use of the appliance.

SPECIFICATIONS

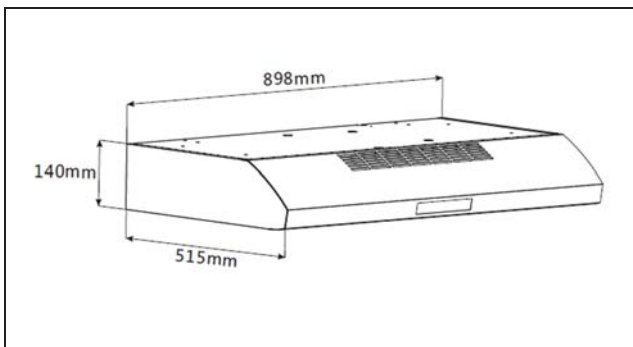
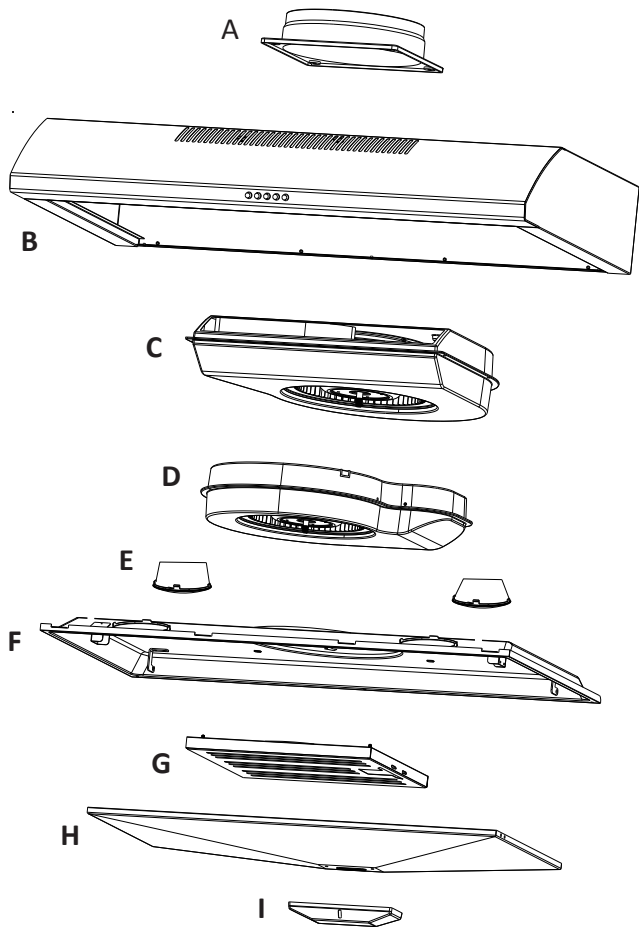


Fig. 2

Model	RH-S259-SSV-T RH-S259-PBV-T RH-S259-SSR-T RH-S259-PBR-T
Voltage	220V - 240V / 50Hz
Power of Motor	150W
Power of Lamps	2 x 1W (LED)
Cable Length	1.5m
Appliance Dimension (W x D x H):	
90cm model	898 x 515 x 140mm
<i>Note: The manufacturer reserves the right to effect any technological improvement or modification without prior notice.</i>	

COMPONENTS



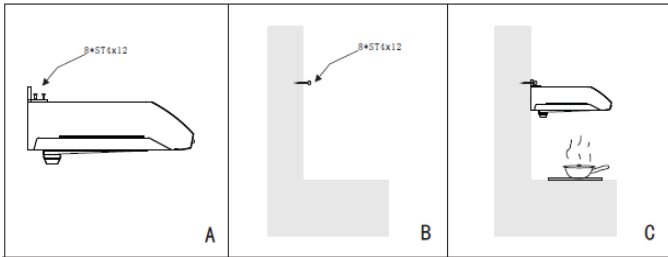
REF	QTY	PRODUCT COMPONENTS
A	1	Air Outlet (Ventilation model)
B	1	Body
C	1	Recirculating assembly
D	1	Duct assembly
E	1	Lamp
F	1	Bottom Plate
G	1	*Aluminium Filter
H	1	Rectifier Panel
I	1	Oil cup

*Aluminium Filter applies to ventilation models. For recirculation models, Aluminium Filter with Charcoal Pellets are used.

INSTALLATION

Installation: 1st Method (According to the diagram below)

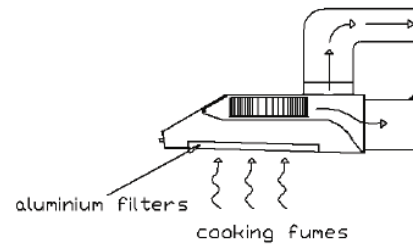
- A Set the L metal plate on the cooker hood
- B Set the location and screw until locked
- C Hang the hood on the setting screw and lock.



Ducted vs. Recirculating Mode

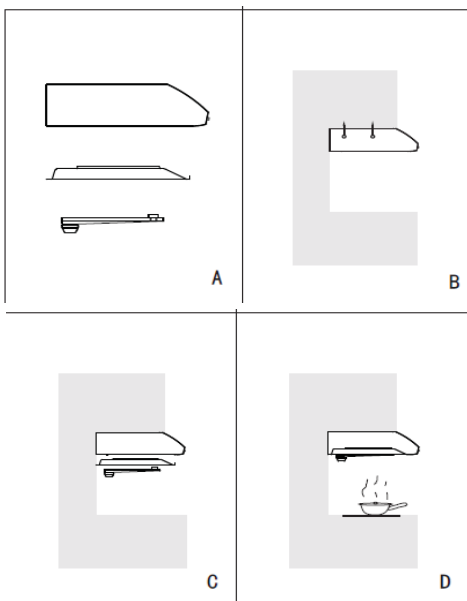
Ducted Mode:

In ducted mode, cooking fumes are vented outdoors. In this mode, only aluminum filters are installed



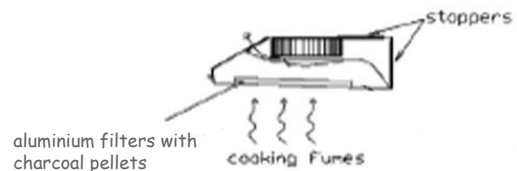
Installation: 2nd Method (According to the diagram below)

- A Remove bottom plate, rectifier panel and oil collector as shown
- B Fix the hood on the cupboard from the inside
- C Fix the bottom plate, rectifier panel and oil collector back
- D Finished installation



Recirculation Mode:

Fumes are filtered for grease and odor through the aluminum grease filters and charcoal filter respectively, and then reintroduced into the kitchen environment. In this mode, aluminium grease filter with charcoal pellets must be installed.

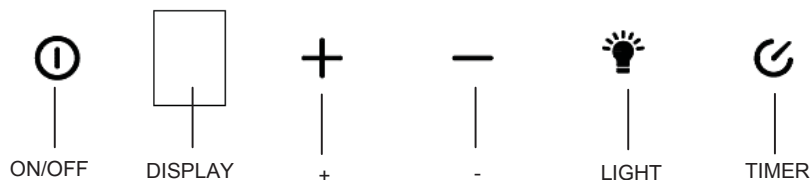


Installation must be performed by qualified personnel only. The manufacturer declines all responsibility for improper installation and does not accept responsibility for appliance warranty in the event of damage caused by incorrect installation.

OPERATION

To achieve better air extraction, we recommend you to switch on the blower a few minutes before starting to cook. Leave it on for approximately 15 minutes after cooking or till all cooking smell is completely removed.

Switch control



ON/OFF: Press to turn the blower off.

DISPLAY:

Clean Filter: When the cooker hood has been operated for 90 hours, an orange dot indicator will start blinking at the bottom right of the display square. This indicator is to remind you to clean your filter. To cancel the reminder, press and hold the ON/OFF button for 4 seconds, and the timing display will resume.

Change Filter: When the cooker hood has been operated for 270 hours, an orange dot indicator will light up solidly at the bottom right of the display square. This indicator is to remind you to change to new filters. To cancel the reminder, press and hold the ON/OFF button for 4 seconds, and the timing display will resume.

**Please note that "clean filter" and "change filter" only applies to ventilation models.*

**For recirculation models, please refer to maintenance and care on the next page.*

Delay Timer:

3 Minutes: When the hood is switched on, press the Timer button once quickly, the timer icon will turn orange and start to flash, and the cooker hood will be switched off after 3 minutes.

7 Minutes: When the hood is switched on, press the Timer button once quickly, the timer icon will turn orange and start to flash. Press the Timer button once again, the timer icon will stop flashing, and the cooker hood will be switched off in 7 minutes.

LIGHT: Press to turn the light on/off.

+/- : Press ON/OFF, and press "+" to increase motor power, press "-" to decrease motor power. The motor has 4 speed settings.


MAINTENANCE AND CARE

Disconnect the power supply cord before carrying out any cleaning or maintenance activities. It is important to clean and/or replace the filters at appropriate intervals as grease deposits build-up increases the risk of fire. Do not operate the extractor hood without grease filter.

Surfaces:

- Wash with warm soapy water and a soft sponge. Never use abrasive detergent, scouring pads, steel wool or solvents on any part of this appliance as this will cause irreparable damage.
- If washing by hand, soak the aluminium grease filter (for ducted models) in warm detergent solution to simplify the removal of grease. Brush the filter, rinse thoroughly and leave it to dry before refitting.
- If by dishwasher, select an appropriate wash program. Leave it to dry before refitting. *Note:* slight discoloration of the filter may occur.
- Removing and inserting the grease filters:
 - o To remove, depress the handle and pull down at the same time.
 - o To refit, slot the filter into position. Make sure that handle is visible on the outside.

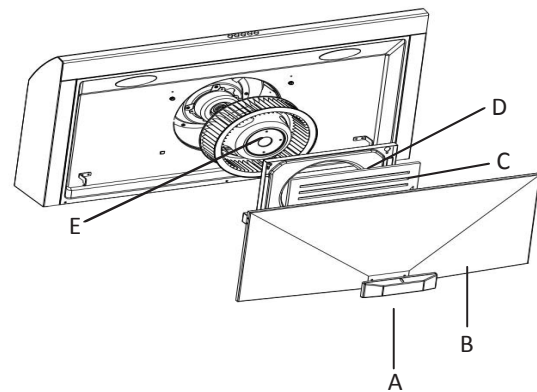
Light replacement

 Replace the light bulb with another which has the same characteristics as a higher voltage bulb could damage the electrical unit.

- Removing and replacing the light bulbs:
 - o Remove oil collector
 - o Remove rectifier panel
 - o Remove aluminium charcoal filter/aluminium filter with charcoal pellets
 - o Remove bottom plate
 - o Replace the light bulbs
 - o Refit bottom plate, filter, rectifier panel and oil collector.

Cleaning the appliance body (Refer to diagram below)

- A Remove oil collector
- B Remove rectifier panel
- C Remove aluminium grease filter or aluminium grease filter with charcoal pellets
- D Remove filter support by removing the 2 screws
- E Remove the fan blade by removing the self-locking nut



Charcoal filter (for recirculation models)

- The charcoal filters should be replaced when it is noticeably dirty or discolored, usually after 6 to 12 months depending on the conditions of use.
- These filters are not washable and cannot be restored. To ensure that this appliance functions effectively, regular maintenance is necessary as clogged filters restrict airflow and may cause the motor to overheat.
- Removing and inserting the charcoal filter:
 - o Remove the oil collector and rectifier panel.
 - o Fit in the new charcoal filter.
 - o Refit rectifier panel and oil collector.

You are strongly recommended to follow these safety instructions. The manufacturer will not be held liable for any damages to the appliance or any fire hazard due to failure to observe the above safety recommendations.

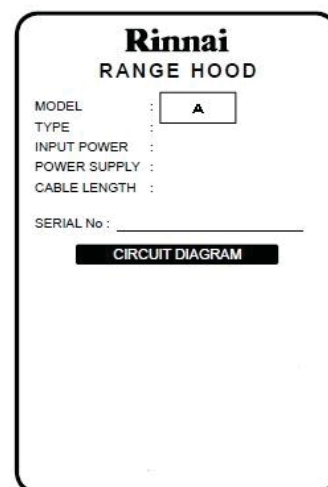
TROUBLESHOOT

Problem	Possible Cause	Solution
Extractor hood does not function	No electrical supply	Check that plug is connected and main power switch is turned on
Poor airflow	Grease filters clogged with grease build-up	Clean the grease filters and refit when dry
	Charcoal filters clogged with grease build-up	Replace charcoal filters with new sets
Hood suction is not effective	Inadequate ventilation	Ensure that the kitchen is sufficiently ventilated to allow entry of fresh air
	Charcoal filters are not installed	Install charcoal filters for setting in recirculation mode
Motor is running but no airflow	Poor exhaust	Please contact Rinnai Customer Care Service
Whirring sound	Foreign object may be in contact with fan blade	Please contact Rinnai Customer Care Service
Lights are not working	Lamps are burnt out	Replace the damaged lamps
	Lamps are loose	Tighten the lamps

If problem persists after the above checks, please contact Rinnai Customer Care Centre for assistance.

Please quote the model number of your appliance as shown on the rating plate attached to your equipment (Fig. 11).

For service calls under warranty, please note that it is necessary to produce your proof of purchase and valid warranty card.



Rating plate is for illustration purpose only and its specifications vary across models.

Rinnai Customer Care Centres

China | 中国

Guangzhou Rinnai Gas & Electric
Room 2805, No.31 Jianghe Building,
Tianshou Road, Guangzhou, China
广州林内燃具电器有限公司
中国广州天河区天寿路31号江河大厦2805室
Tel 电话 : (86) 20 3821 7976
Email 邮箱 : grrjdg@gzrinnai.com.cn
URL 网址 : www.gzrinnai.com.cn

Indonesia

PT. Bhakti Idola Tama
Jl. Raya Perjuangan No.21,
Komp. Ruko Sastra Graha No.11 -13
Jakarta 11530
Tel : (62) 0804-1-889-889 (Customer Care) /
0815 112 99999 (SMS Center)
Email : customercare_bit@yahoo.com
URL : www.rinnai.co.id

Macau | 澳門

Rinnai Appliance Service Center
Edificio Industrial, 3 andar F.A da Zona Macau
林内爐具服務中心
澳門青洲跨境工業大廈3樓F座
Phone 電話 : +853 2852-7799
Fax 傳真 : +853 2827-0572
URL 网址 : www.rinnai.com.hk/mo

Malaysia

Rinnai (M) Sdn Bhd
D2-3-G & D2-3-1, Block D2, Pusat Perdagangan Dana 1,
Jalan PJU 1A/46, 47301 Petaling Jaya,
Selangor Darul Ehsan, Malaysia
Tel : (60) 3 7832 0037 / 7832 0038 / 7832 0039
Fax : (60) 3 7832 0036
Toll free: 1800-88-8180
Email: customercare@rinnai.com.my
URL : www.rinnai.com.my

Myanmar | မြန်မာ

Myanmar Kowa International Co., Ltd
No.199, Ground Floor, 34th Street (Upper Block),
Kyauktada Township, Yangon, Myanmar
အမှတ် (၁၉၉)၊ ၃၄ လမ်း (အပေါ်ဘလောက်)၊
ကျောက်တံတားမြို့နယ်၊ ရန်ကင်းမြို့။
Tel ဖုန်း : (95-1) 245925 / 246304 / (95-9) 7300 7773
Fax ဖက်(စ်) : (95-1) 245925
Email အီးမေးလ် : marketing@myanmarkowa.com

Philippines |

Mitsui Industria Corporation
10 Buenaventura St., Cor MacArthur
Highway, Dalandan Valenzuela City,
Philippines
Tel : (63) 2 292 9177 / 292 9179
Fax : (63) 2 292 8187

Singapore

Rinnai Holdings (Pacific) Pte Ltd
61 Ubi Road 1 #02-20 & 21
Oxley Bizhub Singapore 408727
Tel : (65) 6748 9478
Fax : (65) 6745 9240
Email : service@rinnai.sg
URL : www.rinnai.sg

Thailand | ประเทศไทย

Rinnai (Thailand) Co., Ltd. / Lucky Flame Co., Ltd.
61/1 Soi Kingkaew 9, Kingkaew Rd.
Racha Thewa, Bangphli, Samutprakarn 10540, Thailand
บริษัท รินไน (ประเทศไทย) จำกัด
เลขที่ 61/1 ซอยกิ่งแก้ว 9 ถนนกิ่งแก้ว ตำบลลำบัวใหญ่
อำเภอบางพลี จังหวัดสมุทรปราการ
ประเทศไทย 10540
Tel : (66) 2 3124330-40
Email : lucky02@luckyflame.co.th
URL : www.luckyflame.co.th

Vietnam | Việt Nam

Rong Viet Commerce Company Limited
120 3/2 Street, Ward 12, District 10,
Ho Chi Minh City, Vietnam
Công Ty TNHH Thương Mại Rồng Việt
120 Đường 3/2, Phường 12, Quận 10,
TP. Hồ Chí Minh, Việt Nam
Tel : (84) 8 3862 3409
Fax : (84) 8 5404 1964
Email : info@rongviet-rinnai.com
URL : www.rongviet-rinnai.com