

Rinnai

Operation / Installation Manual

操作 / 安装说明

Petunjuk Pemakaian / Pemasangan
Hoạt động / Hướng dẫn lắp đặt

คู่มือการติดตั้ง/การใช้งาน

Chimney Hood

塔形烟机

Tudung Hisap

Máy Hút Khói Mùi – Dòng Chimney

เครื่องดูดควันชนิดกระโจมติดผนัง

RH-C759-SB

RH-C759-SG

RH-C759-SC

RH-C759-MB

RH-C759-MG

RH-C759-MC

Rinnai Corporation

English

中文

Bahasa Indonesia

Tiếng Việt

ภาษาไทย

TABLE OF CONTENTS

English	Page 1 - 7
中文	8 - 14 页
Bahasa Indonesia	Hal. 15-21
Tiếng Việt	Trang 22 - 28
ภาษาไทย	หน้า 29 - 35

CONTENTS

Safety warnings	1
Specifications & components	3
Installation	4
Operation	5
Maintenance and care	6
Troubleshoot	7



IMPORTANT

To register your product warranty, please paste the serial numbers stickers enclosed with the packaging on your warranty card. Please contact your local Rinnai Customer Care Centre should you require further assistance.

SAFETY WARNINGS

Please read this user manual thoroughly before attempting to use this appliance for the first time. This manual contains important information on safe installation, use and care of the appliance. Keep these instructions for reference and pass them on to future user.

Unpacking

- Do not use the appliance if there are obvious signs of transportation damage.
- If the power supply cord is damaged, it must be replaced by the manufacturer, its service agent or qualified technician to avoid hazard.
- Please ensure that young children do not play with plastic bag packaging.

For the installer

- The extractor hood can be installed over gas and electric cook top. Minimum installation height from the bench top to the bottom of the hood is 700mm (gas range) and 550mm (electric range) (Fig. 1).

For the user

- The extractor hood is designed for domestic use to eliminate unpleasant odors from the kitchen. Do not use the hood for uses other than its specific purpose.
- Do not allow young children to play with or operate the appliance. Supervise its use by the elderly or infirm.
- Installation and repair should be attempted by qualified technical personnel only.
- It is dangerous to modify any part of this appliance. Tampering with electrical connections or mechanical parts can cause operation faults and may put the user at risk.
- Never leave high naked flames under the extractor hood when it is in operation. Always cover lit burners with cookware.

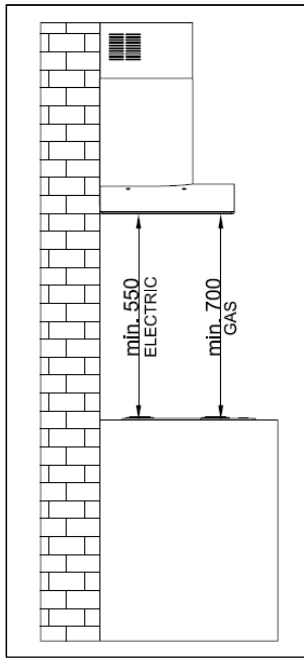


Fig. 1

- Always mount the extractor hood over the center of the hob.
- Ensure that the appliance is installed in a location with good and permanent ventilation.
- When making the electrical connections, check that
 - The mains voltage and frequency corresponds to the technical information shown on the rating plate.
 - Electrical connection must be made in accordance to local standards only. Check that the voltage in your area is correct before plugging in.
- Use an electrical connector with earth that is correct for your location. The electrical connection of this appliance must be connected to earth (*where applicable*):
 - Green & Yellow = EARTH; Blue = NEUTRAL; Brown = LIVE
- Ducted mode:
 - Connect the extractor hood to the exhaust duct through a pipe of minimum $\varnothing 120\text{mm}$. Use the shortest and straightest duct route possible.
 - Do not connect the extractor hood to exhaust ducts carrying combustion fumes.
 - Arrange proper ventilation if the extractor hood is used in conjunction with other appliances which are not supplied by electrical power e.g. gas burning appliances. The kitchen must have a direct opening to the outside in order to allow entry of fresh air.

Note: The manufacturer accepts no responsibility for complaints attributed to the design and layout of the pipe work.

- Do not flambé or grill with an open flame directly under the extractor hood. Flames could be drawn up into the hood by the suction and the grease filters may catch fire.
- Monitor cooking continuously as overheated oil increases the risk of self-ignition.
- Do not operate the extractor hood without a grease filter.
- It is important to clean and/or replace the filters at appropriate intervals.
- Grease deposits build-up increases the risk of fire.
- Always disconnect the unit from the power supply before carrying out any cleaning or maintenance work on the hood.
- Ensure that the power supply chord is free from any heat source or sharp objects.
- Multiple plugs and extension cables must not be used. Overloading is dangerous and may cause a fire hazard.

Disposal

- This appliance and its packaging are environmentally friendly and recyclable. Please help us to care for the environment by disposing the packaging in a proper manner and recycling any old appliances.
- Before disposing an old appliance, disconnect it from the power supply and cut the power supply cord to prevent hazards.

The manufacturer will not be held liable for any damages resulting from improper installation nor failure to adopt proper safety measures during installation and operational use of the appliance.

SPECIFICATIONS

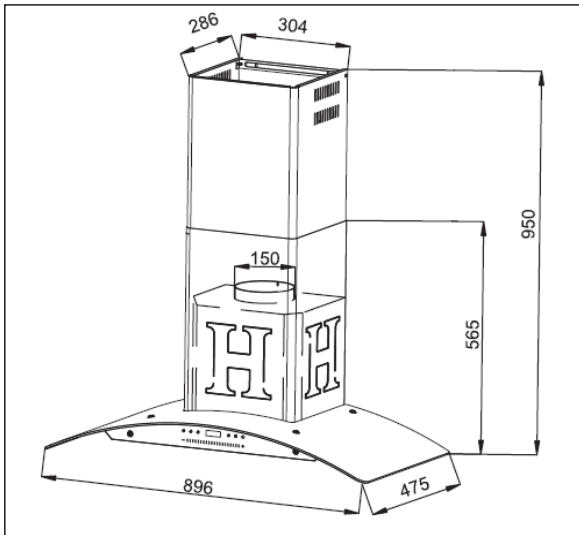


Fig. 2

Model	RH-C759 SB/SG/SC/MB/MG/MC
Voltage	220V - 240V / 50Hz
Power of Motor	280W
LED Lights	2 x 2W
Cable Length	1.5m
Appliance Dimension (W x D x H):	
90cm model	896 x 475 x 565-950mm
<i>Note: The manufacturer reserves the right to effect any technological improvement or modification without prior notice.</i>	

COMPONENTS

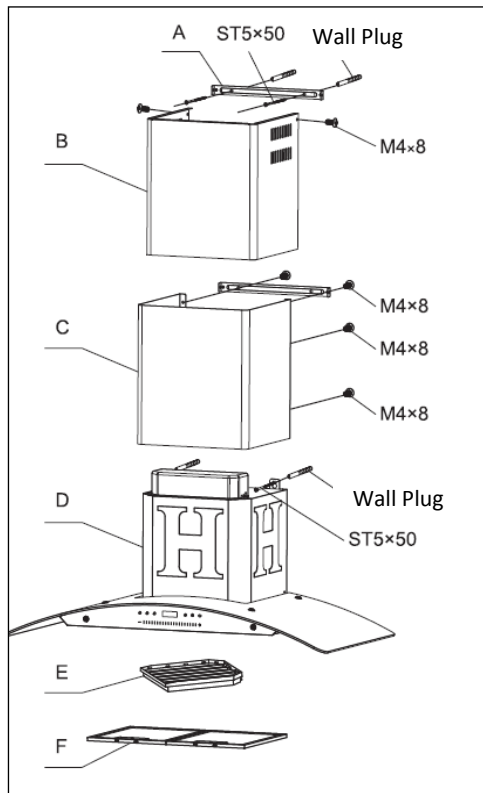


Fig. 3

Ref	Qty	Product components
A	2	Mounting bracket
B	1	Inner Duct
C	1	Outer Duct
D	1	Blower Assembly
E	1	Charcoal Filter
F	2	Aluminium Filter
Qty		Installation components
	8	Screw M4 x 8
	4	Screw ST5 x 50
	4	∅10 Wall Plug
Qty		Documentation
	1	Operation / Installation Manual

INSTALLATION

This appliance can be installed in ducted or recirculation mode.

Ducted mode (Fig. 4)

- In ducted mode, the extractor hood fan extracts the cooking vapours and passes them through the grease filter. The air then flows to the outside.
- The grease filter absorbs the solid particles in the cooking vapors.
- In this mode, **only grease filters are installed (charcoal filter is optional)**.

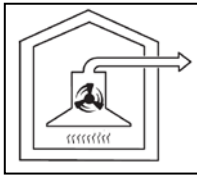


Fig. 4

Recirculation mode (Fig. 5)

- In recirculation mode, the extractor hood fan extracts the cooking vapors which are purified in the grease filter and charcoal filter.
- The purified air is then recirculated into the kitchen via a vent opening in the hood. The grease filter absorbs the solid particles in the cooking vapors.
- The charcoal filter is designed to absorb cooking odor. In this mode, **both grease filters and charcoal filters are installed**.



Fig. 5

Connection to exhaust air pipe (Fig. 6 & 6.1)

- Attach $\varnothing 150\text{mm}$ pipe directly to the air outlet and secure appropriately (Fig. 6).
- If using $\varnothing 120\text{mm}$ pipe, connect to the air outlet using a reducing connector (not provided).
- Secure both joints appropriately (Fig. 6.1).
- Connect pipe to the outdoor duct.

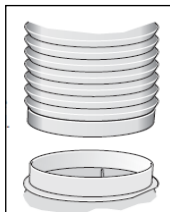


Fig. 6

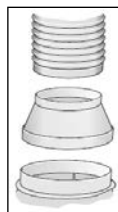


Fig. 6.1

Wall mounting (Fig. 7 & 8)

Do ensure that the appliance is mounted on a solid surface which could withstand the appliance's weight.

- Draw a vertical line at the center of the wall.
- From bench top (see A), draw a horizontal line above minimum installation height level (see B).
- Mark a reference point at C. Repeat this step on the other side.
- Drill $\varnothing 8\text{mm}$ holes at center of marking points. Insert wall plugs in the wall.
- Fix the hood body to wall using 2 (two) ST5 x 50 screws provided. Tighten screws firmly. Note: Adjust the hood body alignment if necessary (Fig. 9).
- Place mounting bracket on the wall at desired height level. Align bracket center at vertical line (see D).
- Mark the center of the bracket holes and drill $\varnothing 8\text{mm}$ holes. Insert wall plugs in the wall.
- Secure mounting bracket firmly using 2 (two) ST5 x 25 screws provided.
- Fix the inner duct to mounting bracket using 2 (two) M4 x 8 screws provided (Fig. 8).
- Slide the outer duct downwards and ensure that it is well seated on the hood body.

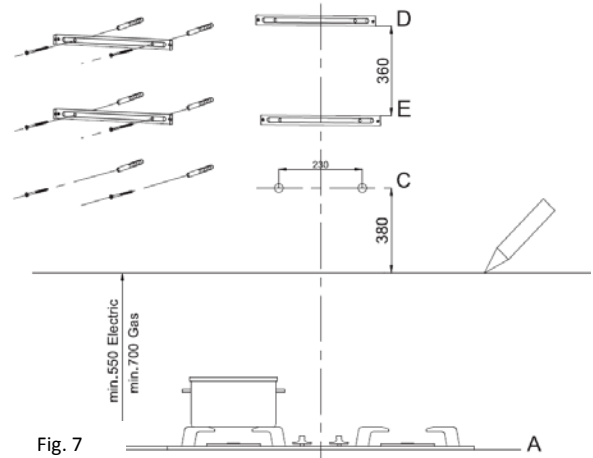


Fig. 7

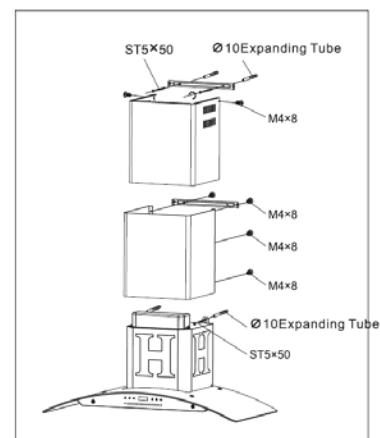


Fig. 8

Aligning the hood body (if necessary) (Fig. 9)

- Before attaching hood body to wall, adjust the 2(two) screws located on the hood body mounting points.
- Hook the hood body onto the support screws and tighten the support screws fully.
- Adjust screws to level the hood body.

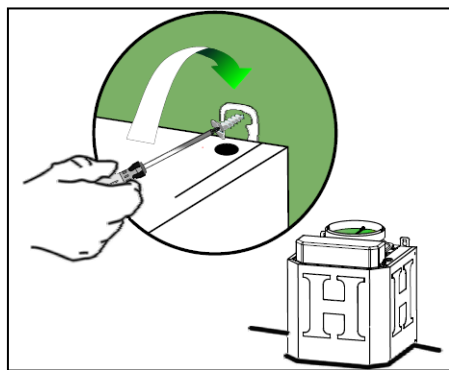


Fig. 9

Installation must be performed by qualified personnel only. The manufacturer declines all responsibility for improper installation and does not accept responsibility for appliance warranty in the event of damage caused by incorrect installation.


OPERATION


To achieve better air extraction, we recommend you to switch on the blower a few minutes before starting to cook. Leave it on for approximately 15 minutes after cooking or till all cooking smell is completely removed.




Switch control


Note: Touch the sensor buttons gently to operate this appliance.





On/delay/Off key:  Touch to select on/off. When in operating mode, press once to enter into delay mode; default delay timer is 1 minute. Gently slide through the ten-key slider to adjust the delay time: slide to the right to increase timing, slide to the left to decrease timing. Maximum delay timing is 10 minutes. When in countdown mode, display will show the time, and slider indicator will show the speed. Press the on/off key to exit delay timer mode, and to turn off the blower/fan.

Lights on/off:  Touch to select lights on/off

Timer setting: When in "off" mode, press and hold the on/off key to enter clock settings. Once the display starts blinking, press  to decrease hour unit and  to increase hour unit. After that, press  to confirm and proceed to do the same for the minutes display.

Low speed: Press  to turn blower on/off at low speed

Medium speed: Press  to turn blower on/off at medium speed

High speed: Press  to turn blower on/off at high speed

Touch slider: Gently slide across to the right to increase blower speed, and across to the left to lower blower speed

MAINTENANCE AND CARE

Disconnect the power supply cord before carrying out any cleaning or maintenance activities. It is important to clean and/or replace the filters at appropriate intervals as grease deposits build-up increases the risk of fire. Do not operate the extractor hood without grease filter.

Grease filter (Fig. 10)

- Grease filters are used to absorb the grease particles formed during cooking process. The filters must be removed and cleaned every 4 weeks, depending on frequency of usage. Clean the filter either by hand or in the dishwasher. Note: Take care not to bend the filters during washing.
- If by hand washing, soak the filters in warm detergent solution to simplify the removal of grease. Brush the filters, rinse thoroughly and leave it to dry before refitting.
- If by dishwasher, select an appropriate wash program. Leave it to dry before refitting. Note: slight discoloration of the filter may occur.
- Removing and inserting the grease filters:
 - To remove, depress the handle and pull down at the same time.
 - To refit, slot the filter into position. Make sure that the handle is visible on the outside.

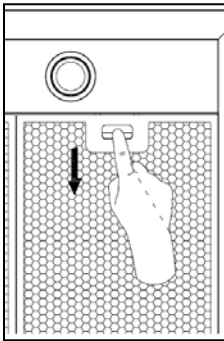


Fig. 10

Charcoal filter (where applicable) (Fig. 11)

- The charcoal filters should be replaced when it is noticeably dirty or discolored, usually after 6 to 12 months depending on the conditions of use.
- These filters are not washable and cannot be restored. To ensure that this appliance functions effectively, regular maintenance is necessary as clogged filters restrict airflow and may cause the motor to overheat.
- Removing and inserting the charcoal filter:
 - Remove the saturated charcoal filter from the blower as shown.
 - Fit in the new charcoal filter.

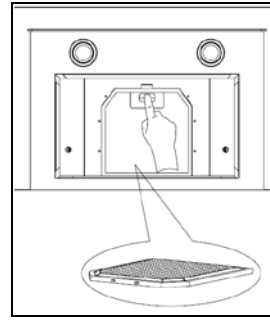


Fig. 11

Cleaning the appliance body

- Clean the extractor hood using warm detergent solution and a soft damp cloth. Wipe dry with a lint-free cloth.
- Avoid using corrosive or abrasive products that could damage the surface.

Light replacement (Fig. 12 & 12.1)



Replace the light bulb with another which has the same characteristics as a higher voltage bulb could damage the electrical unit.

- Removing and replacing the lights:
 - Push out the light assembly from inside of the hood body (Fig. 12).
 - Disconnect the light connector (Fig. 12.1).
 - Replace a new set of light assembly. Note: For purchase of spare part, please check with your local Rinnai Rinnai Customer Care Centre for assistance.
 - Reverse the procedure for refitting.

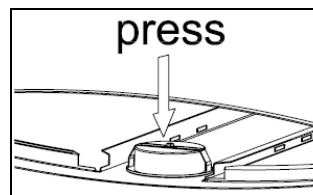


Fig. 12

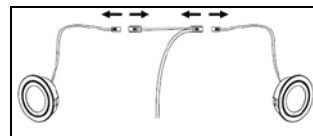


Fig. 12.1

You are strongly recommended to follow these safety instructions. The manufacturer will not be held liable for any damages to the appliance or any fire hazard due to failure to observe the above safety recommendations.

TROUBLESHOOT

Problem	Possible Cause	Solution
Extractor hood does not function	No electrical supply	Check that plug is connected and main power switch is turned on
Poor airflow	Grease filters clogged with grease build-up	Clean the grease filters and refit when dry
	Charcoal filters clogged with grease build-up	Replace charcoal filters with new sets
Hood suction is not effective	Inadequate ventilation	Ensure that the kitchen is sufficiently ventilated to allow entry of fresh air
	Charcoal filters are not installed	Install charcoal filters for setting in recirculation mode
Motor is running but no airflow	Poor exhaust	Please contact Rinnai Customer Care Service
Whirring sound	Foreign object may be in contact with fan blade	Please contact Rinnai Customer Care Service
Lights are not working	Lamps are burnt out	Replace the damaged lamps
	Lamps are loose	Tighten the lamps

If problem persists after the above checks, please contact Rinnai Customer Care Centre for assistance.

Please quote the model number of your appliance as shown on the rating plate attached to your equipment (Fig. 13).

For service calls under warranty, please note that it is necessary to produce your proof of purchase and valid warranty card.

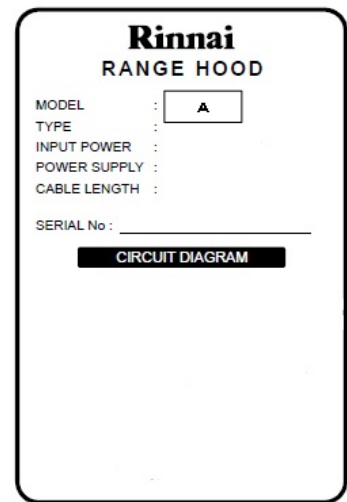


Fig.13 - Rating plate is for illustration purpose only and its specifications vary across models.

目录

安全警告	8
规格和部件	10
安装	11
操作	12
维修与保养	13
常见问题	14



重要提示

要注册您的产品保修，需要把序列号贴纸贴到随机器包装的保用证上。请联系当地的林内客户售后服务中心咨询更新信息。

安全警告

在使用本器具前，请仔细阅读本使用手册。本手册包括重要的涉及人身安全以及器具使用和保养方面的信息。请保存好这份说明书，以传递给以后的使用者。

开箱

- 如有明显的运输过程造成的损伤，请不要使用该器具。
- 如果电源线破损，则必须由生产商，服务代理或者合格的技术人员进行更换，防止伤害风险。
- 请确保孩童远离塑料包装。

给安装人员

- 此油烟机罩可以安装在燃气炉和电炉上方。从台面到烟机底部的最小的安装高度为 700mm (燃气灶) 和 550mm (电炉) (图. 1).

给用户

- 烟机是适合国内使用的，用于消除厨房的异味。请不要把烟机使用于其他用途。
- 请不要让孩童玩弄或者操作器具。请监督年老体弱者的使用。
- 安装与维修只能让合格的技术人员进行。
- 对烟机任意的修改将导致危险。篡改电气连接配件或机器配件都会导致运行错误并会使使用人员陷入危险。
- 当烟机运行时请不要使用较高火焰的燃烧器。会点燃燃烧器上面的炊具。

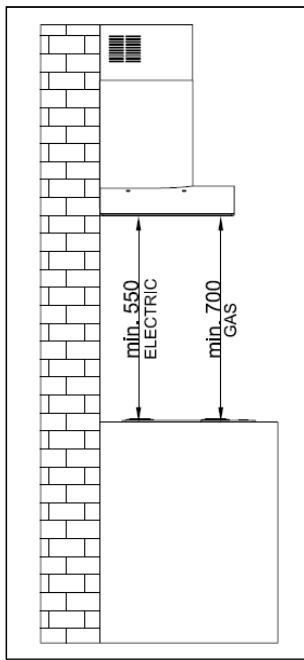


图. 1

- 请确保器具的安装地点有良好的通风。
- 连接电源时，请按照铭牌所示信息确认电源电压与频率。
- 电源连接必须符合当地标准。请在插入电源之前确认当地的电压是否正确。
- 请使用符合当地的接地连接器。此器具的电源连接必须接地 (合适的):
 - 绿色 & 黄色 = 接地; 蓝色 = 零线; 褐色 = 相线
- 管道模式:
 - 请使用管径最小为 120mm 的管来连接烟机与排气管。请尽量使用最短与最直的管道。
 - 请不要将火焰排进与烟机连接的排气管。
 - 如果烟机与其他非电器器具如燃气器具一起使用，请务必做好适当的通风。厨房必须打开直接通往室外的窗门来换气。

注意: 生产商没有任何义务接受管道安装与设计的投诉。

- 请不要在烟机下方直接燃火或烤火。火焰会被吸进烟机，里面的油脂过滤器会着火。
- 请注意不断观察，因为过热的热油会增加自燃的危险。
- 请不要操作没有油脂过滤器的器具。
- 定期清理与更换过滤器很重要，因为油脂积聚会增加着火的危险。
- 请在取出清理或维修之前务必切断电源。
- 请确认电源线远离任何热源或尖锐的物体。
- 禁止使用多用插头与延长电线。有超负荷的危险，会引发火灾。

处理

- 此器具与其包装都是环保及可循环再用的。
- 请帮助我们爱护环境，用适当的方式处置包装以及旧的器具。
- 在处置旧器具前，请切断电源以及移走电源线防止危险发生。

注意: 生产商不会对由于任何安装或者通过非正当的方式安装与运行产生的损坏负责。

规格

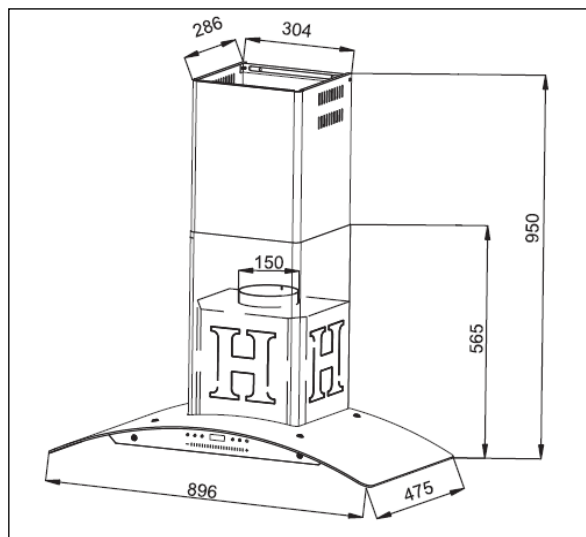


图. 2

型号	RH-C759 SB/SG/SC/MB/MG/MC
电压	220V - 240V / 50Hz
马达功率	280W
LED 灯泡	2 x 2W
电缆长度	1.5m
产品尺寸 (W x D x H): 90cm model	896 x 475 x 565-950mm
<i>注意：生产商拥有改造器具而不预先对消费者进行告知的权利。</i>	

部件名称

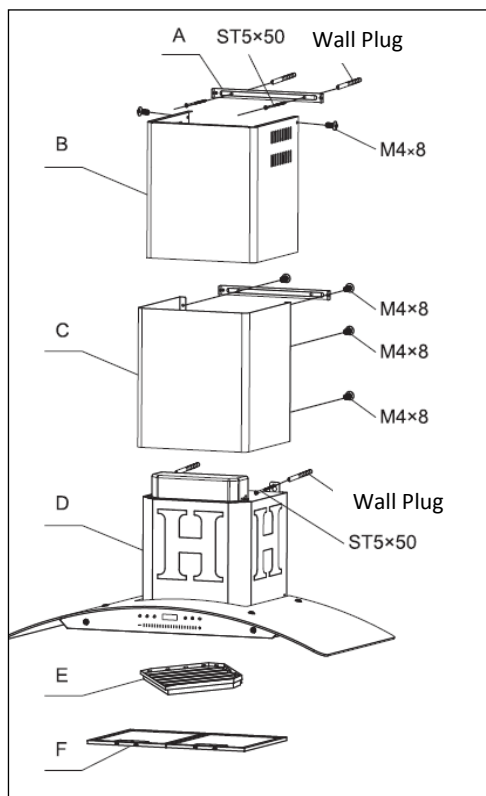


图. 3

参照	数量	产品配件
A	2	安装支架
B	1	内管
C	1	外管
D	1	风机组件
E	1	木炭过滤器
F	2	铝制过滤器
数量		安装配件
	8	螺丝 M4 x 8
	4	螺丝 ST5 x 50
	4	Ø10 墙钉
数量		文件
	1	操作 / 安装说明手册

安装

该器具必须以管道模式或回流模式安装。

管道模式 (图. 4)

- 在管道模式中, 烟机的风扇会把煮食的油烟吸进管道并通过油脂过滤器排出屋外。
- 油脂过滤器吸收煮食过程中油烟的固体物质。
- 在此模式中, **只需安装油脂过滤器 (木炭过滤器可选性安装)**。

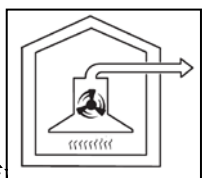


图. 4

回流

- 在回流模式里, 烟机的风扇将吸走被油脂过滤器与木炭过滤器净化后的煮食气体。
- 净化后的气体之后通过烟机里的一个排气孔回流进厨房。油脂过滤器吸收煮食气体的固体物质。
- 木炭过滤器是设计吸收煮食气味的。在此模式里, 要安装油脂过滤器与木炭过滤器。



图 5

连接排气管 (图. 6 & 6.1)

- 直接把 $\varnothing 150\text{mm}$ 管连接到排气口并固定 (图. 6).
- 如果使用 $\varnothing 120\text{mm}$ 管, 用连接器来连接排气口 (不提供).
- 固定连接口 (图. 6.1).
- 连接管道到外管。

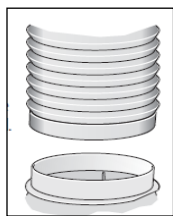


图. 6

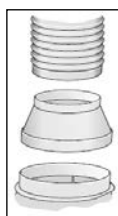


图. 6.1

上墙 (图. 7 & 8)

确保安装器具的表面稳固, 并能支撑器具的重量。

- 在墙的中央画一条垂直直线。
- 从桌面顶部 (参照 A), 在离桌面最低安装水平位置上画一条水平线 (see B).
- 标记一个参照点 C。在另外一边重复此步骤。
- 在标记点的中央钻一个 $\varnothing 8\text{mm}$ 的孔, 把墙钉钉进墙内。
- 用配套的 2 (two) ST5 x 50 螺丝把机体固定到墙上。拧紧螺丝。注意: 如果需要可调整机身平衡。(图. 9).
- 在希望的高度处放置安装支架。对准垂直直线校准支架的中心。(参照 D).
- 标记支架洞的中央, 并钻一个 $\varnothing 8\text{mm}$ 的孔。把墙钉钉进墙内。
- 使用配套的 2 (two) ST5 x 25 螺丝固定安装支架。
- 使用 2 (two) M4 x 8 螺丝固定内管到安装支架上。(图8).
- 滑动外管到下面并确保固定在机体上。

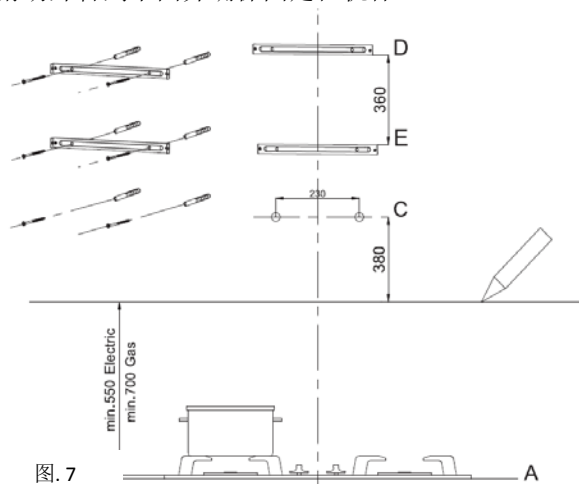


图. 7

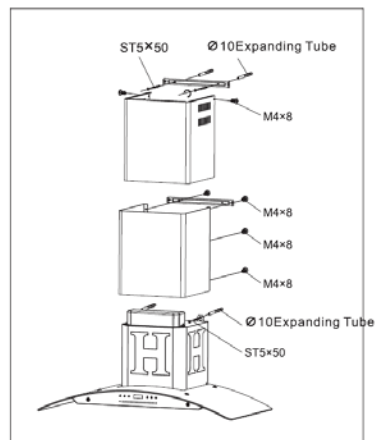


图. 8

校准机体 (如果需要) (图. 9)

- 在把机体安装到墙上之前，调整 2(two)个在机体安装点上的螺丝。
- 把机体勾到支撑螺丝上并拧紧支撑螺丝。
- 调整螺丝来平衡机身。

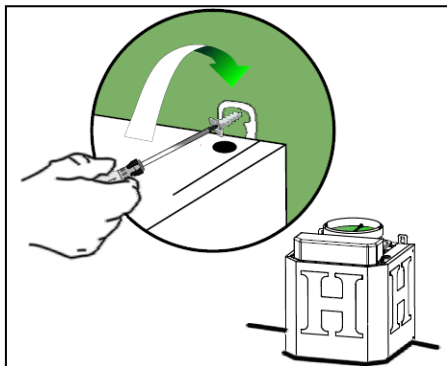


图. 9

安装必须由有资质的人士进行。生产商对所有不适当安装，以及由不当安装引起的损坏负责和器具保修。


操作

我们推荐在烹煮之前先打开器具几分钟以达到更好的排气效果。在烹煮之后继续开 15 分钟左右，直到气味完全消失。




开关控制

注意: 轻轻碰触传感按键来操作器具。



On/delay/Off 按键:  碰触 on/off 按键。在操作模式中，按一下进入延迟模式; 默认延迟时间为 1 分钟。轻轻滑过十键来调整延迟时间: 滑到右边表示增加时间, 滑到左边表示减少时间。最大延迟时间为 10 分钟。在倒计时模式中，显示屏会显示时间，滑碰指示器会显示速度。按下 on/off 键来推出延迟时间模式，然后关闭吹风机/风扇。

Lights on/off:  接触选择灯亮/灭

Timer setting 计时器设置: 当“off”模式中，长按 on/off 按键进入时钟设置。当显示屏闪烁，按  键来减少小时数字设置，按  键来增加小时数字设置。之后，按  键来确认，分钟设置时步骤相同。

Low speed 低速: 按  键来开/关低速风机

Medium speed 中速: 按  键来开/关中速风机。

High speed 高速: 按  /  键来开/关高速风机。

Touch slider 滑条: 向右轻轻滑动是增加风机速度，向左则是减少风机速度。

维修与保养

请确保主电源在清洗或保养维修之前已经被切断。

定期对过滤器清洗或更换是很重要的，因为油脂积聚会增加着火的危险。不要在没有油脂过滤器的情况下开动机器。

油脂过滤器 (图. 10)

- 油脂过滤器是用于吸收煮饭过程中发出的油脂的。此过滤器必须根据使用频率每 4 周清洗或者移出。过滤器可以用手或洗碗机清洗。注意：注意清洗时不要弯曲过滤网。
- 如果用手洗，用温水清洗液洗更容易洗掉油脂。再重新安装回去之前，要擦洗干净并晾干过滤器。
- 如果用洗碗机，选择一个适合的清洗程序。重新安装回去之前要晾干过滤器。
注意：过滤器会有轻微的掉色现象。
- 移走与插入油脂过滤器：
 - 要移走，就要拧开中心的螺丝。
 - 要安装，把油脂过滤器安进去并拧紧螺丝。

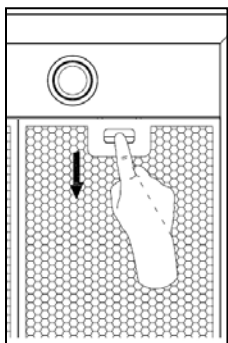


图. 10

木炭过滤器 (合适处) (图. 11)

- 木炭过滤器在明显脏污或者褪色时就要更换，通常在 6-12 个月，根据使用情况而定。
- 此类过滤器不能清洗也不能修复。要确保机器功能正常，定时的保养是必要的，因为堵塞的过滤器不能排气，并可能导致马达过热。
- 从油脂过滤器上移走饱和的木炭过滤器
 - 从送风机移走已饱和的木炭过滤器，如图所示。
 - 装上新的木炭过滤器。

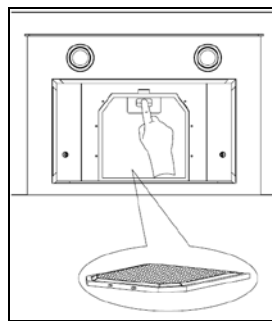


图. 11

清洗机体

- 清洗烟机要使用温水清洗液和软湿布。清洗之后，用无尘布来擦干。
- 避免使用腐蚀性或研磨性的产品，因为这样会容易刮花产品表面。

灯泡的更换 (图. 12 & 12.1)

- ⚠ 更换新的灯泡时，新的灯泡需要与原来的灯泡的规格一致，高电压会损坏电子元件。
- 移走并更换灯泡：
 - 从机体内部按压灯泡组件 (图. 12).
 - 断开灯泡连接器 (图. 12.1).
 - 更换新的灯泡组件。注意：要购买零件，请与当地的林内售后客服中心联系。
 - 倒反刚才的顺序来重新安装灯泡。

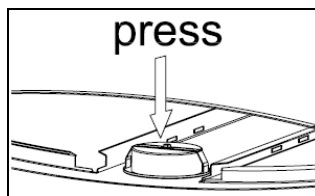


图. 12

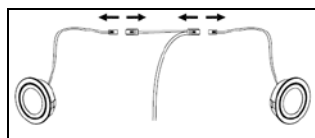


图. 12.1

注意：强烈建议您阅读这些安全提示。制造商对任何由于不遵守上述安全建议而引致器具损伤或火灾都不需负任何责任。

常见故障的识别与处理

问题	可能导致问题的原因	解决方法
烟机不运作	没电	确认插头已经插上，电源已经开启。
风量小	油脂过滤器被油脂堵塞	清洗油脂过滤器，晾干后安装回去
	木炭过滤器被油脂堵塞	更换新的木炭过滤器
抽油烟率太低	通风不足	确保厨房通风情况良好以使新鲜空气能进入厨房内
	木炭过滤器没安装	安装木炭过滤器，以设置为回流模式
马达启动但是不能抽风	排风不好	请联系林内的售后服务中心
呼呼的声音	风扇页可能有外物碰触到	请联系林内的售后服务中心
灯不亮	灯泡损坏	更换掉烧坏的灯泡
	灯泡松了	拧紧灯泡

如果进行了以上的确认之后问题依然存在，请联系林内的售后服务中心请求帮助。

请找出产品的型号，型号在机体的铭牌上，如图所示。(图. 13).

如果需要保修服务，请提供购买产品的证明与有效的保修证。

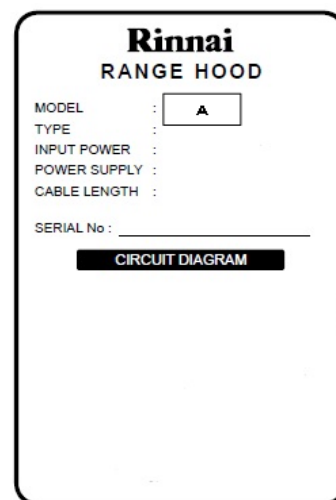


图.13 -注意: 铭牌只起插图提示的作用，不同产品的铭牌不同。

DAFTAR ISI

Peringatan Keselamatan-----	15
Spesifikasi dan komponen-----	17
Pemasangan -----	18
Pengoperasian-----	19
Pemeliharaan dan perawatan-----	20
Pemecahan Masalah-----	21



PENTING

Silakan salin nomer seri pada stiker yang ada pada kemasan kartu garansi Anda, untuk mendaftarkan garansi produk Anda. Silakan hubungi Layanan Purna Jual RINNAI di kota Anda jika Anda memerlukan bantuan lebih lanjut.

PERINGATAN KESELAMATAN

Silakan baca buku petunjuk ini secara seksama sebelum Anda menggunakan alat ini untuk pertama kalinya. Buku petunjuk ini berisi informasi penting tentang pemasangan yang aman, cara penggunaan dan perawatan kompor ini. Simpan buku petunjuk ini sebagai referensi di masa yang akan datang.

Membuka kemasan

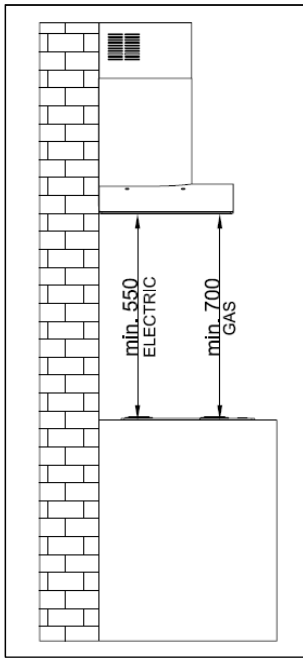
- Jangan gunakan alat ini jika terdapat kerusakan saat proses pengangkutan.
- Jika kabel listrik rusak harus diganti oleh pihak perusahaan. Agen servis resmi atau teknisi yang berpengalaman untuk menghindari kerusakan.
- Pastikan bahwa anak kecil tidak bermain dengan bekas kemasan plastik ini.

Untuk pemasangan

- Tudung hisap bisa dipasang di atas kompor gas dan juga kompor listrik. Batas jarak tinggi minimum pemasangan dari atas kompor ke bagian bawah tudung hisap untuk kompor gas adalah 700mm dan 550mm untuk kompor listrik (Gbr. 1).

Untuk Pengguna

- Tudung hisap didesain untuk penggunaan rumah tangga untuk mengurangi bau tidak sedap dari dapur. Jangan gunakan tudung hisap untuk tujuan tidak semestinya.
- Jangan biarkan anak kecil mengoperasikan tudung hisap ini. Awasi penggunaan yang dilakukan oleh orang tua atau orang sakit.
- Pemasangan dan perbaikan harus dilakukan oleh teknisi yang berpengalaman.
- Sangat berbahaya untuk memodifikasi bagian dari tudung hisap ini. Merusak sambungan listrik atau bagian mekanik bisa menyebabkan kesalahan penggunaan dan mungkin menyebabkan pengguna dalam bahaya..
- Jangan pernah biarkan api naik langsung di bawah tudung hisap. Selalu tutupi dengan peralatan memasak.



Gbr. 1

- Selalu pasang tudung tepat berada di atas kompor.
- Pastikan bahwa tudung hisap anda terpasang pada lokasi yang mempunyai ventilasi udara yang permanen.
- Saat membuat sambungan listrik, periksa :
 - Tegangan utama dan frekuensi sesuai dengan Informasi teknis yang ada di data plate.
 - Sambungan listrik harus dibuat sesuai dengan standar local. Periksa apakah tegangan di area anda sudah benar sebelum dinyalakan.
- Gunakan penghubung listrik ke tanah (ground) yang sesuai dengan lokasi anda. Sambungan listrik dari tudung hisap ini harus terhubung ke tanah (yang dapat dipakai) :
 - Hijau & kuning= Tanah (GROUND), biru = NETRAL, Cokelat = FASE
- Mode ventilasi :
 - Hubungkan tudung hisap ke saluran pembuangan melalui pipa dengan diameter minimum $\varnothing 120\text{mm}$. gunakan rute terpendek dan terlurus yang paling mungkin.
 - Jangan hubungkan tudung hisap ke saluran pembuangan yang menghasilkan asap pembakaran.
 - Atur ventilasi yang tepat jika tudung hisap dihubungkan dengan alat lain yang tidak dialirkan sumber listrik misalnya alat pembakaran gas. Dapur harus mempunyai ventilasi udara yang terhubung langsung keluar untuk memungkinkan masuknya udara segar.

Catatan: RINNAI tidak akan bertanggung jawab terhadap keluhan yang menyangkut desain dan tata letak pipa.

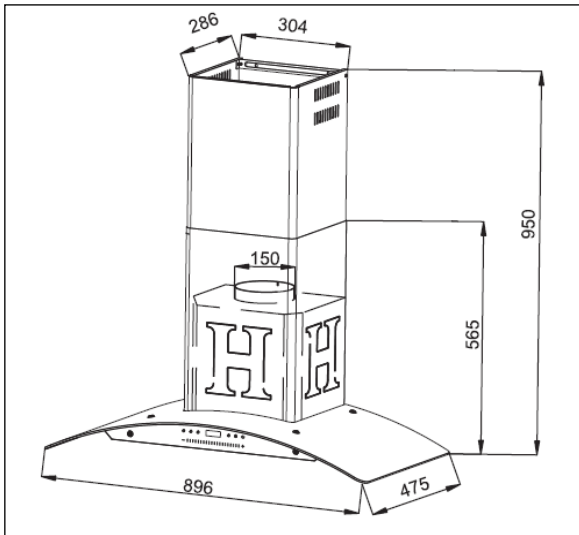
- Jangan memasak atau memanggang dengan api terbuka langsung di bawah tudung hisap. Api bisa naik sampai ke tudung hisap karena terhisap dan penyaring minyak bisa terkena api.
- Selalu pantau saat memasak secara terus menerus karena minyak yang terlalu panas bisa meningkatkan resiko kebakaran.
- Jangan mengoperasikan tudung hisap tanpa penyaring (filter) minyak.
- Sangat penting untuk membersihkan dan atau mengganti penyaring (filter) pada waktu tertentu.
- Tumpukan endapan minyak bisa meningkatkan resiko kebakaran.
- Selalu putus sambungan tudung hisap ini dengan aliran listrik saat membersihkan atau melakukan tindakan pemeliharaan.
- Pastikan bahwa aliran kabel sambungan bebas dari berbagai sumber panas atau benda tajam.
- Steker ganda dan kabel yang terlalu panjang tidak boleh digunakan. muatan berlebih berbahaya dan bisa menyebabkan bahaya kebakaran.

Pembuangan

- Tudung hisap ini dan kemasannya merupakan bahan yang ramah lingkungan dan bisa didaur ulang. Harap bantu kami untuk menjaga lingkungan dengan membuang kemasan pada tempatnya dan mendaur ulang tudung yang sudah lama.
- Sebelum membuang tudung hisap yang sudah lama, putus sambungan listrik dan potong kabel sambungan untuk mencegah bahaya kebakaran.

RINNAI tidak bertanggung jawab atas kerusakan akibat pemasangan yang tidak benar atau kegagalan karena mengambil tindakan-tindakan keselamatan yang tidak tepat selama pemasangan dan penggunaan tudung hisap ini.

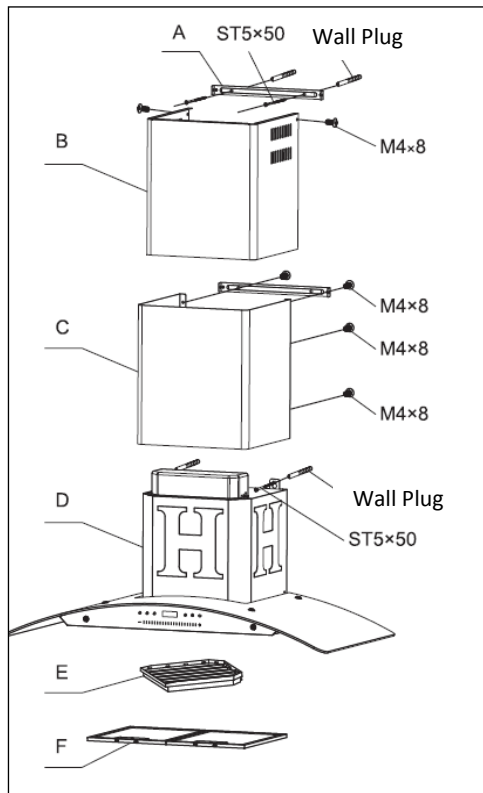
SPESIFIKASI



Gbr. 2

Model	RH-C759 SB/SG/SC/MB/MG/MC
Tegangan Volt	220V - 240V / 50Hz
Kekuatan Mesin	280W
Lampu LED	2 x 2W
Panjang Kabel	1.5m
Dimensi Alat (W x D x H): 90cm model	896 x 475 x 565-950mm
<i>Catatan:</i> RINNAI berhak untuk melakukan pengembangan teknologi dan memodifikasi tanpa ada pemberitahuan terlebih dahulu.	

COMPONENTS



Gbr. 3

Ref	Qty	Komponen Produk
A	2	Rangka pemasangan
B	1	Saluran kedalam
C	1	Saluran keluar
D	1	Peniup rakitan
E	1	Saringan arang
F	2	Saringan aluminium
Qty		Komponen Pemasangan
	8	Baut M4 x 8
	4	Baut ST5 x 50
	4	Ø10 Steker
Qty		Dokumentasi
	1	Pengoperasian/ petunjuk manual

PEMASANGAN

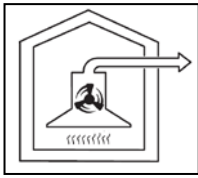
Tudung hisap ini bisa dipasang dengan menggunakan mode ventilasi dan sirkulasi.

Mode Ventilasi (Gbr. 4)

- Pada mode ventilasi ini, kipas tudung hisap membersihkan uap masakan dan melewatinya melalui penyaring minyak. Udara kemudian mengalir keluar.

Penyaring minyak menyerap partikel padat dalam uap masakan.

- Dalam mode ini, hanya filter minyak yang di pasang (**Filter arang adalah opsi**).



Gbr. 4

Mode resirkulasi (Gbr. 5)

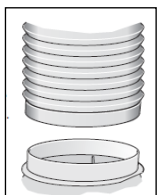
- Pada mode sirkulasi, kipas tudung hisap memurnikan asap masakan, yang dimurnikan di dalam penyaring minyak dan penyaring arang.
- Udara yang dimurnikan tersebut kemudian disirkulasikan lagi ke dalam dapur melalui lubang udara yang terbuka pada tudung. Penyaring minyak menyerap partikel padat dalam asap masakan.
- Penyaring arang didesain untuk menyerap bau tidak sedap. Pada mode ini, **baik penyaring minyak dan penyaring arang harus dipasang**.



Gbr. 5

Koneksi ke pembuangan udara (Gbr. 6 & 6.1)

- Pasang pipa $\varnothing 150\text{mm}$ langsung ke saluran keluar udara dan pengamanan yang tepat (Gbr. 6).
- Jika menggunakan pipa $\varnothing 120\text{mm}$, hubungkan ke lubang udara menggunakan pengurangan konektor (tidak disediakan).
- Amankan kedua sambungan dengan tepat (Gbr. 6.1).
- Sambungkan pipa ke saluran keluar.



Gbr. 6

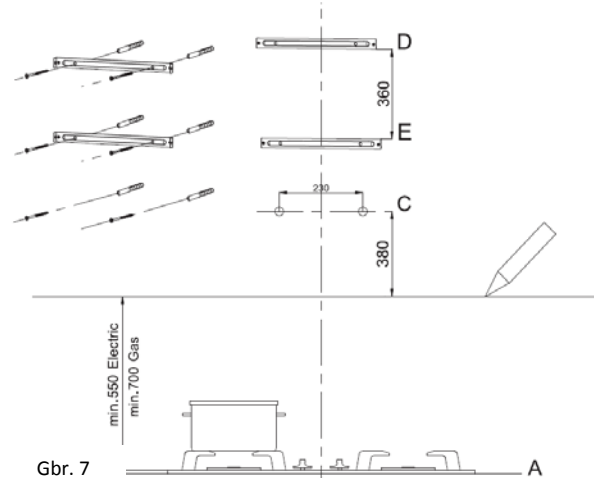


Gbr. 6.1

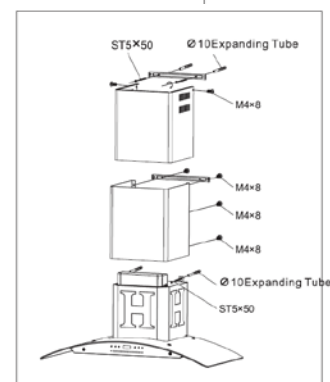
Pemasangan dinding (Gbr. 7 & 8)

Pastikan bahwa alat dipasang pada permukaan padat yang bisa menahan berat alat tersebut.

- Gambar garis vertical di tengah dinding.
- Dari dudukan atas (lihat A), gambar garis horizontal diatas level ketinggian pemasangan minimum (lihat B)
- Tandai titik referensi di C. Ulangi langkah ini di sisi lain.
- Lubangi $\varnothing 8\text{mm}$ ditengah poin yang telah ditandai. Masukkan fischer ke dinding.
- Perbaiki badan hood ke dinding menggunakan 2 (dua) baut ST5 x 50 yang disediakan. Kencangkan baut dengan kuat. *Catatan* : Sesuaikan keselarasan badan hood jika diperlukan (Gbr. 9).
- Tempatkan pemasangan baut pada dinding di tingkat ketinggian yang diinginkan. Luruskan penyangga ditengah pada garis vertical (lihat D).
- Tandai bagian tengah lubang penyangga dan lubangi $\varnothing 8\text{mm}$. Masukkan fischer di dinding.
- Mengamankan pemasangan bracket dengan kuat menggunakan 2 (dua) ST5 x 25 baut yang tersedia.
- Perbaiki saluran kedalam untuk pemasangan bracket gunakan 2 (dua) M4 x 8 baut yang tersedia (gbr. 8).
- Geser saluran luar ke bawah dan pastikan itu telah terpasang dengan baik pada badan hood.



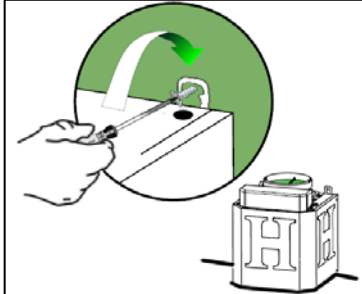
Gbr. 7



Gbr. 8

Mensejajarkan badan hood (jika perlu) (Gbr. 9)

- Sebelum memasang badan hood ke dinding, sesuaikan 2 (dua) baut yang terletak di titik-titik pemasangan badan hood.
- Hubungkan badan hood ke baut penyangga dan kencangkan baut penyangga sepenuhnya.
- Sesuaikan baut di level badan hood.



Gbr. 9

Pemasangan harus dilakukan oleh teknisi yang berpengalaman. RINNAI tidak bertanggung jawab terhadap pemasangan yang tidak tepat dan tidak bertanggung jawab atas garansi alat jika terjadi kerusakan yang diakibatkan oleh pemasangan yang salah.

PENGOPERASIAN


Untuk mencapai ekstraksi udara yang lebih baik, kami sarankan anda untuk menyalahkan blower beberapa menit sebelum memulai memasak.

Biarkan selama sekitar 15 menit setelah memasak atau sampai semua bau memasak benar-benar hilang.




Pengalihan Kontrol


Catatan : Sentuh tombol sensor dengan lembut untuk mengoperasikan alat ini.




Menyalakan/Menunda/tombol nonaktifkan :  Tekan pilihan on / off. Ketika dalam mode operasi, tekan sekali untuk masuk ke mode *delay*, *delay* standar timer 1 menit. Geser perlahan melalui sepuluh tombol slider untuk mengatur *delay time*. Geser ke kanan untuk meningkatkan waktu, geser ke kiri untuk mengurangi waktu. Waktu maksimum *delay* adalah 10 menit. Ketika dalam mode mundur, layar akan menampilkan waktu, dan indikator slider akan menunjukkan kecepatan. Tekan tombol on / off untuk keluar dari *delay timer*, dan untuk memamatkan blower / fan.

Lampu on/off:  tekan pilihan *lights on/off*

Pengaturan Waktu: ketika mode "off", tekan dan tahan tombol on / off untuk masuk ke pengaturan jam. Setelah layar mulai berkedip, tekan  untuk menurunkan satuan jam dan  untuk meningkatkan satuan jam. Setelah itu, tekan  untuk memastikan dan lakukan hal yang sama untuk tampilan menit.

Kecepatan rendah: Tekan  untuk menghidupkan blower on / off pada kecepatan rendah.

Kecepatan medium: Tekan  Untuk menghidupkan blower on/off pada kecepatan medium.

Kecepatan tinggi: Tekan /  untuk menghidupkan blower on/off pada kecepatan tinggi.

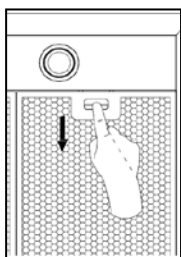
Sentuh slider: Geser perlahan menyeberang ke kanan untuk meningkatkan kecepatan blower, dan menyeberang ke kiri untuk menurunkan kecepatan blower.

PEMELIHARAAN & PERAWATAN

Putuskan aliran kabel listrik sebelum membersihkan atau kegiatan pemeliharaan. Sangat penting untuk membersihkan dan atau mengganti penyaring pada rentang waktu tertentu karena endapan minyak dapat meningkatkan resiko kebakaran, jangan mengoperasikan tudung hisap tanpa penyaring minyak filter.

Penyaring minyak (Gbr. 10)

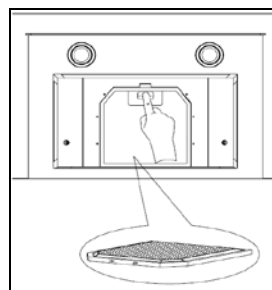
- Penyaring minyak digunakan untuk menyerap partikel minyak yang terbentuk selama proses memasak. Penyaring ini harus dilepas dan dibersihkan setiap 4 minggu sekali, tergantung dari banyaknya penggunaan. Bersihkan penyaring dengan tangan atau dengan mesin pencuci piring. Catatan : hati-hati jangan sampai membengkokkan penyaring selama pencucian.
- Jika dengan menggunakan tangan, rendam penyaring dalam larutan deterjen hangat untuk mempermudah hilangnya minyak. Sikat penyaring bilas secara menyeluruh dan biarkan kering sebelum dipasang kembali.
- Jika dengan mesin pencuci piring, pilih program yang sesuai. Keringkan dulu sebelum dipasang kembali. Note: Mungkin akan terjadi pemudaran warna pada penyaring.
- Melepas dan memasang filter minyak:
 - Untuk melepas, tekan pegangan dan tarik ke bawah pada waktu bersamaan.
 - Untuk memasang, tempatkan filter ke posisi. Pastikan bahwa pegangan terlihat di luar.



Gbr. 10

Penyaring arang (yang dapat dipakai) (Gbr. 11)

- Filter arang harus diganti bila terlihat kotor atau berubah warna, biasanya setelah 6 sampai 12 bulan tergantung pada kondisi penggunaan.
- Filter ini tidak dapat dicuci dan tidak dapat diperbaiki. Untuk memastikan bahwa alat ini berfungsi efektif, diperlukan pemeliharaan rutin karena filter yang tersumbat membatasi aliran udara dan dapat menyebabkan motor terlalu panas.
- Melepas dan memasang filter arang :
 - Lepaskan penyaring arang yang telah penuh dari blower seperti yang ditunjukkan.
 - Cocokkan dengan filter arang baru.



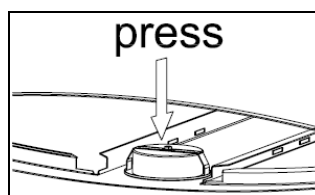
Gbr. 11

Membersihkan badan tudung

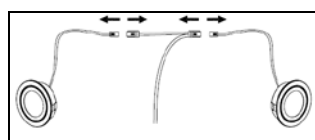
- Bersihkan tudung hisap menggunakan deterjen hangat dan kain lembab yang lembut. Lap kering dengan kain bebas serat.
- Hindari menggunakan produk yang dapat membuat karat atau kasar yang dapat merusak permukaan.

Penggantian Cahaya (Gbr. 12 & 12.1)

- ⚠️ Ganti bola lampu dengan bola lampu yang lain yang memiliki karakteristik yang sama karena lampu yang mempunyai tegangan lebih tinggi bisa merusak unit listrik
- Melepaskan dan mengganti lampu :
 - Dorong keluar perakitan cahaya dari body tudung (Gbr. 12).
 - Lepaskan konektor lampu/cahaya (Gbr. 12.1).
 - Ganti satu set rakitan lampu yang baru. Catatan : Untuk pembelian spare part, silakan cek di RINNAI local atau RINNAI Customer Care Centre untuk bantuan.
 - Lakukan langkah yang sebaliknya untuk memasang kembali.



Gbr. 12



Gbr. 12.1

Anda sangat dianjurkan untuk mengikuti petunjuk keselamatan ini. RINNAI tidak akan bertanggung jawab atas kerusakan alat atau bahaya kebakaran atas kegagalan untuk mengamati rekomendasi keamanan di atas.

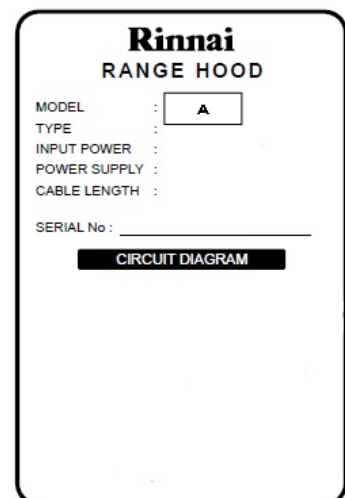
PEMECAHAN MASALAH

Masalah	Kemungkinan Penyebab	Solusi
Tudung hisap tidak berfungsi	Tidak ada aliran listrik	Cek apakah steker terhubung dan tombol power utama dinyalakan.
Sirkulasi udara yang minim	Penyaring minyak tersumbat oleh endapan minyak	Bersihkan penyaring minyak dan pasang kembali saat sudah kering
	Penyaring arang tersumbat oleh endapan minyak	Ganti penyaring arang dengan yang baru
Tudung hisap tidak efektif	Ventilasi yang tidak memadai	Pastikan bahwa dapur memiliki ventilasi yang cukup memadai untuk memungkinkan masuknya udara segar.
	Penyaring arang tidak terpasang.	Pasang penyaring arang untuk mengatur mode sirkulasi
Mesin bekerja tapi tidak ada aliran udara	Minimnya pembuangan	Silakan hubungi Pusat layanan Purna Jual RINNAI
Suara yang berisik	Benda asing mungkin bersinggungan dengan baling-baling kipas	Silakan hubungi Pusat Layanan Purna jual RINNAI
Lampu tidak menyala	Lampu yang terbakar	Ganti lampu yang rusak
	Lampu yang longgar	Kencangkan lampunya

Jika masalah tetap ada setelah pengecekan diatas, silakan hubungi Pusat layanan Purna jual RINNAI untuk bantuan lebih lanjut.

Silakan salin nomor model dari tudung hisap anda seperti yang tertera pada data plate yang menempel pada tudung hisap anda (Gbr. 13)

Untuk panggilan servis bergaransi, perlu diketahui bahwa anda harus mempunyai bukti pembelian dan kartu garansi yang masih berlaku.



Gbr. 13 – Data Plate hanya untuk ilustrasi saja dan spesifikasinya sangat banyak tergantung dari model

NỘI DUNG CẦN BIẾT

Một số cảnh báo an toàn	22
Thông số kỹ thuật – chi tiết	24
Lắp đặt	25
Vận hành.....	26
Vệ sinh – bảo quản	27
Sự cố - cách xử lý	28



LƯU Ý CẦN THIẾT

Để đăng ký bảo hành sản phẩm, hãy điền số seri sản phẩm vào phiếu bảo hành đính kèm sản phẩm. Vui lòng liên hệ Trung tâm DVCSKH Rinnai để được hỗ trợ thêm.

MỘT SỐ CẢNH BÁO AN TOÀN

Vui lòng đọc kỹ hướng dẫn trước khi sử dụng sản phẩm. Nội dung sách hướng dẫn này bao gồm nhiều nội dung quan trọng liên quan đến sử dụng - bảo quản sản phẩm và an toàn cho người sử dụng.

Kiểm tra khi khai thùng

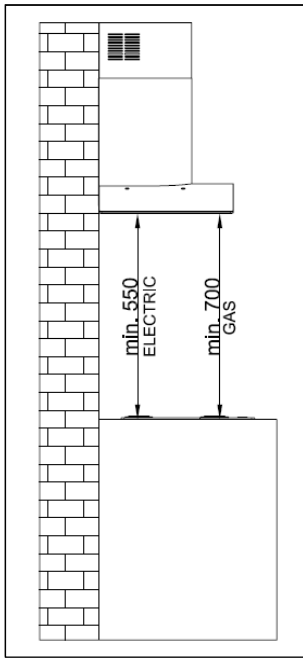
- Không sử dụng dây nguồn có dấu hiệu hư hỏng để tải điện.
- Nếu dây nguồn bị hỏng, nó phải được thay thế bởi Nhà sản xuất, trung tâm DVCSKH, trạm bảo hành được ủy quyền hoặc kỹ thuật viên đủ điều kiện để tránh nguy hiểm.
- Không để trẻ em đùa nghịch với bao bì hay túi nhựa của sản phẩm

Tiến trình lắp đặt

- Máy có thể được lắp bên trên máy bếp điện hoặc bếp gas. Khoảng cách từ mặt trên bếp đến mặt dưới của máy tối thiểu là 550mm (đối với bếp điện) và 700mm (đối với bếp gas). Hình 1.

Với người sử dụng

- Máy được thiết kế để hút khói mùi bên trong nhà bếp. Không sử dụng cho các mục đích khác.
- Không để trẻ em chơi hay vận hành máy, đồng thời giám sát việc sử dụng đối với người lớn tuổi, già yếu.
- Lắp đặt và sửa chữa máy chỉ nên được thực hiện bởi nhân viên đủ tiêu chuẩn kỹ thuật chuyên môn.
- Sẽ rất là nguy hiểm khi sửa chữa hay thay đổi bất kì chi tiết nào. Việc nhầm lẫn giữa các chi tiết kết nối điện hoặc liên quan đến các phần cứng có thể gây ra lỗi hoạt động và có thể gây nguy hiểm cho người dùng.
- Không để ngọn lửa cháy cao hay mặt phát nhiệt mà không có vật nấu bên trên.



Hình 1

- Máy phải lắp đúng tâm và cân bằng với bếp.
- Phải chắc rằng máy được lắp tại vị trí phù hợp với hệ thống thông gió của gian bếp.
- Khi kết nối điện, kiểm tra xem điện thế và tần số có phù hợp với thông số được in trên tem sản phẩm hay không?
- Kết nối điện phải được kiểm tra theo tiêu chuẩn qui định. Kiểm tra chính xác điện áp trong nhà trước khi cắm phích.
- Nên kết dây nối đất cho sản phẩm nếu có thể:
 - Xanh lá cây và vàng = Dây nối đất; Xanh dương = Dây trung tính; Nâu = Dây nóng.
- Phần kết nối ống thoát:
 - Kết nối đầu ra của máy (khớp nối) thông qua ống thoát có đường kính 150mm. Nên chọn hướng đi của ống sao cho thẳng và ngắn nhất nếu có thể.
 - Không để ống thoát cắt qua hệ thống ống dẫn khí đốt hay dùng chung ống thoát với các ống kỹ thuật khác.
 - Bố trí hệ thống thông gió thích hợp, chẳng hạn tại không gian bếp phải bố trí cửa hướng trực tiếp ra ngoài để tạo sự đối lưu không khí.

Lưu ý: Nhà sản xuất hay Nhà cung cấp sẽ không chịu trách nhiệm đối với khiếu nại liên quan đến việc bố trí hệ thống ống.

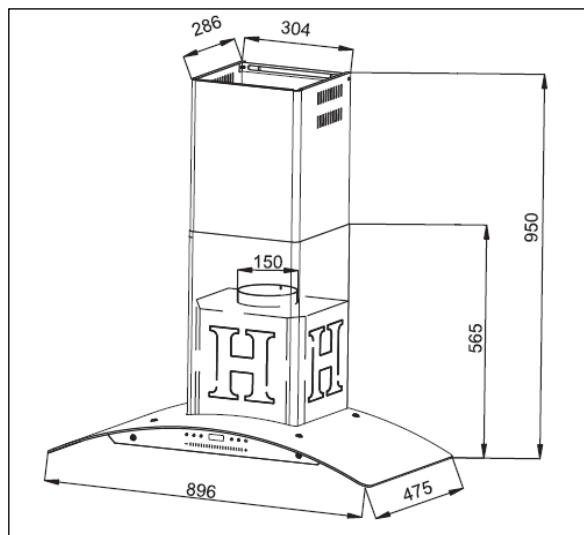
- Nếu không có vật nấu hay sử dụng món nướng trực tiếp trên bề mặt bếp, nhiệt sẽ làm hư hại một số chi tiết máy hoặc nó sẽ bị hút vào khi máy đang hoạt động và làm cháy máy.
- Nhiệt quá nóng sẽ làm dầu mỡ bên trong hộp hứng dầu tự phát lửa.
- Không vận hành máy mà không có các hộp đựng dầu mỡ.
- Điều quan trọng là nên vệ sinh thường xuyên hoặc thay thế các chi tiết theo đúng định kỳ để giảm tối đa khả năng gây cháy nổ.
- Phải luôn ngắt kết nối điện trước khi tiến hành vệ sinh hay bảo trì máy.
- Đảm bảo có một nguồn điện dùng cho máy, không kết nối chung với các thiết bị khác để dễ ngắt kết nối khi cần thiết.
- Phích cắm hay dây nguồn phải đảm bảo tải, nếu quá tải sẽ gây nguy hiểm và hỏa hoạn

Xử lý

- Sản phẩm và bao bì của sản phẩm không gây hại cho môi trường được sử dụng tái chế.
- Vui lòng giúp chúng tôi chăm sóc môi trường bằng cách xử lý đóng gói theo đúng cách và tái chế bất kỳ thiết bị cũ.
- Trước khi xử lý một thiết bị cũ, ngắt kết nối từ việc cung cấp điện và loại bỏ các dây điện để ngăn chặn mọi nguy hiểm

Lưu ý: Nhà sản xuất hay Nhà cung cấp sẽ không chịu trách nhiệm đối với bất kỳ thiệt hại nào từ việc lắp đặt sản phẩm không đúng cũng như việc áp dụng các biện pháp an toàn không thích hợp trong việc lắp đặt và sử dụng.

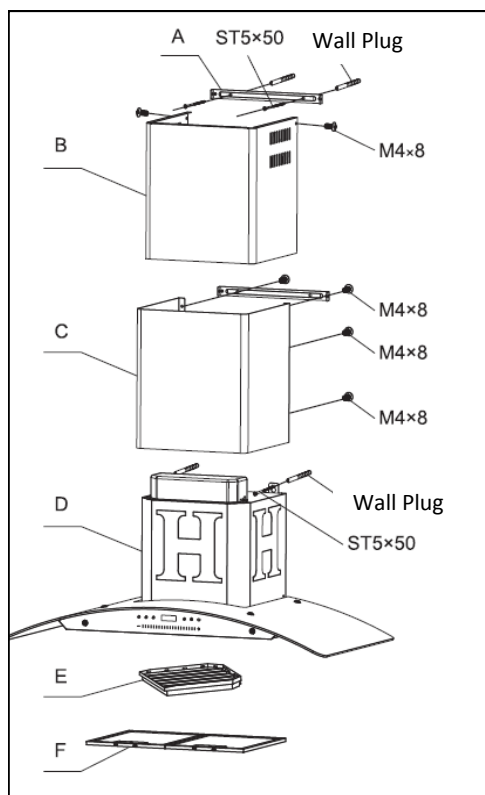
THÔNG SỐ KỸ THUẬT



Hình 2

Model	RH-C759 SB/SG/SC/MB/MG/MC
Điện nguồn	220V - 240V / 50Hz
Công suất motor	280W
Đèn chiếu sáng (LED)	2 x 2W
Chiều dài dây nguồn	1.5m
Kích thước (W x D x H): Nhóm 90cm	896 x 475 x 565-950mm
<i>Lưu ý: Nhà sản xuất có quyền thực hiện bất kỳ công nghệ cải tiến hay sửa đổi mà không cần thông báo trước</i>	

CHI TIẾT LINH KIỆN



Hình 3

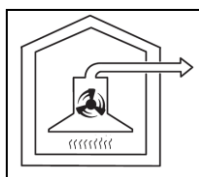
Chi tiết	SL	Linh kiện sản phẩm
A	2	Bát định vị máng che ống thoát
B	1	Máng trong
C	1	Máng ngoài
D	1	Buồng hút
E	1	Than lọc (than hoạt tính)
F	2	Lưới lọc (lưới nhôm)
SL		Phụ trợ lắp đặt
	8	Vít M4 x 8
	4	Vít ST5 x 50
	4	Tắc kê Ø10
SL		Tài liệu đính kèm
	1	Hướng dẫn lắp đặt / Sử dụng

LẮP ĐẶT

Máy có thể được lắp đặt dùng cho chế độ ống thoát hoặc tự hủy.

Chế độ ống thoát (Hình 4)

- Trong chế độ ống thoát, quạt hút sẽ chiết suất dầu mỡ và chuyển qua học hứng thông qua lưới lọc. Phần mùi, hơi nóng sẽ được đẩy ra ngoài.
- Lưới lọc sẽ hấp thụ các hạt tinh thể dầu. Khi dùng chế độ này, không gắn than hoạt tính vào vì nó sẽ làm giảm lực hút ra ngoài.



Hình 4

Chế độ tự hủy (Hình 5)

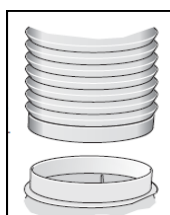
- Trong chế độ tự hủy, quạt hút sẽ chiết suất dầu mỡ và chuyển qua học hứng thông qua lưới lọc.
- Không khí tinh khiết sau khi được lọc bởi than hoạt tính sẽ trở lại không gian bếp thông qua cửa thoát hơi. Lưới lọc sẽ hấp thụ các hạt tinh thể dầu.
- Than hoạt tính được thiết kế để hấp thụ (khử) mùi dầu mỡ.
- Khi dùng chế độ này, cả lưới lọc và than hoạt tính sẽ được gắn vào máy.



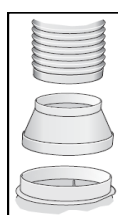
Hình 5

Kết nối ống thoát (Hình 6 & 6.1)

- Dùng ống Ø150mm gắn vào khớp nối của máy. *Hình 6.*
- Nếu dùng ống Ø120mm thì phải dùng một kết nối giảm (không cung cấp) và đảm bảo phải thật khớp. *Hình 6.1.*
- Kết nối thêm với ống dẫn ra ngoài.



Hình 6

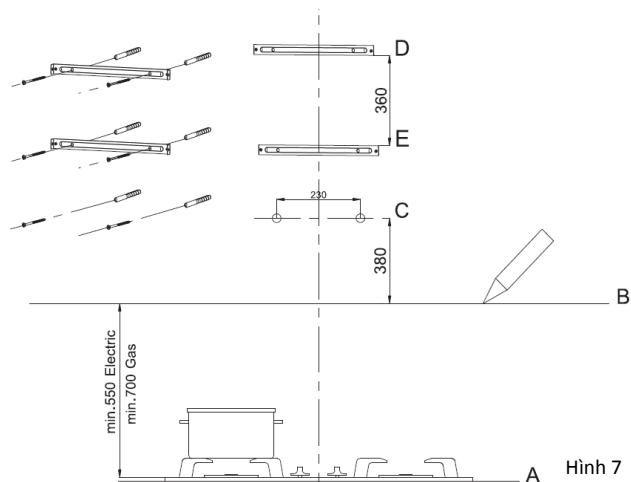


Hình 6.1

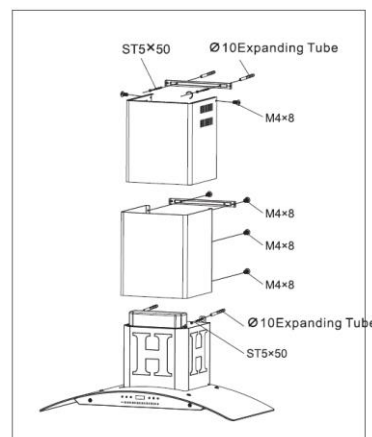
Tường (vách) treo máy (Hình 7 & 8)

Phải đảm bảo rằng tường hay vách treo máy chịu được tải trọng của máy ngay cả khi vận hành.

- Kẻ một đường thẳng đứng làm trục cho cả máy và bếp (A), từ mặt A kẻ một đường ngang (B) dựa trên tiêu chuẩn chiều cao tối thiểu lắp máy. *Hình 7*
- Đánh dấu tham chiếu C để xác định chính xác vị trí bát treo trên vách
- Khoảng lỗ có đường kính 8mm tại vị trí trung tâm của đường C. Chèn dây nguồn vào (tùy theo kệ, có thể bỏ qua bước này).
- Treo máy vào tường tại hai điểm đối xứng trên đường C. Xiết chặt vít (ST5 x 50) để cố định máy. Có thể cân chỉnh thân máy cho phù hợp. *Hình 9.*
- Đặt máng che lên máy và trượt máng đến độ cao mong muốn. Kẻ đường ngang D trên mặt vách (tường) tại độ cao đã chọn.
- Đánh dấu tại vị trí các lỗ của bát treo và khoảng lỗ (8mm).
- Dùng vít (ST5 x25) xiết chặt bát treo máng lên tường.
- Dùng vít (M4 x 8) định vị máng vào bát treo và đảm bảo máng che phải đặt khớp trên thân máy. *Hình 8*



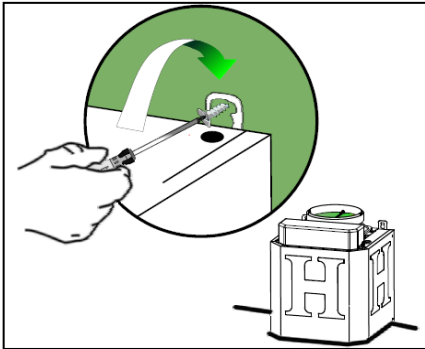
Hình 7



Hình 8

Cân chỉnh thân máy (nếu cần thiết) (Hình 9)

- Trước khi gắn thân máy vào tường, điều chỉnh hai vít treo máy.
- Dùng các vít hỗ trợ (kèm theo) để cố định máy cho chắc chắn
- Canh chỉnh máy cho chính xác theo chiều cao và cân bằng theo chiều ngang.



Hình 9

Việc lắp đặt chỉ được thực hiện bởi kỹ thuật viên có đủ trình độ chuyên môn. Nhà sản xuất hay Nhà cung cấp sẽ từ chối tất cả trách nhiệm liên quan đến việc lắp đặt không đúng (bao gồm bảo hành sản phẩm cũng như những thiệt hại).

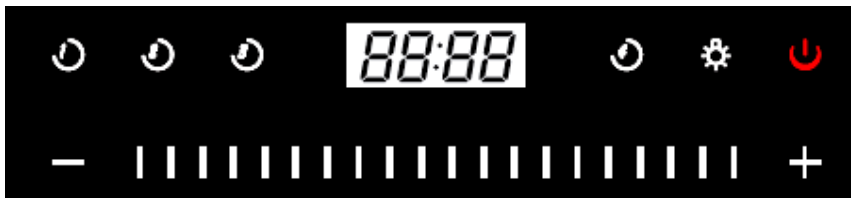
VẬN HÀNH


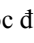








Để đạt được hiệu quả tốt, nên:

- _ Cho máy hoạt động trước khi bắt đầu nấu ăn.
- _ Sau khi nấu ăn xong, cho máy hoạt động thêm khoảng 15 phút để máy hút hết khói mùi còn đọng lại trong gian bếp và trong máy.

Bảng điều khiển

Lưu ý: Chạm nhẹ nhàng vào các nút cảm biến (cảm ứng) để vận hành sản phẩm.



- + Chạm phím  để tắt / mở nguồn. Khi đang ở chế độ hoạt động, chạm một lần để vào chế độ hẹn giờ tắt, thời gian mặc định là 1 phút. Trượt ngón tay theo thanh trượt để chọn thời gian hẹn: trượt về bên phải để tăng thời gian, trượt về bên trái để giảm thời gian. Thời gian hẹn tối đa là 10 phút. Khi ở chế độ đếm ngược, màn hình sẽ hiển thị thời gian và chỉ số trượt sẽ hiển thị tốc độ quạt. Nhấn  để thoát khỏi chế độ hẹn giờ và để tắt quạt.
- + Chạm phím  để tắt / mở đèn chiếu sáng.
- + **Cài đặt giờ:** Khi máy đang ở chế độ tắt, nhấn và giữ phím nguồn để vào cài đặt giờ. Khi màn hình nhấp nháy, nhấn phím  để giảm đơn vị giờ và nhấn phím  để tăng đơn vị giờ. Sau đó, nhấn phím  để xác nhận và tiếp tục làm tương tự để xác nhận đơn vị phút.
- + Nhấn phím  để tắt / mở quạt ở tốc độ thấp.
- + Nhấn phím  để tắt / mở quạt ở tốc độ trung bình.
- + Nhấn phím  /  để tắt / mở quạt ở tốc độ cao.
- + Thanh trượt: có thể trượt về bên trái để giảm tốc độ quạt và trượt về bên phải để tăng tốc độ quạt.

VỆ SINH BẢO QUẢN

Chắc chắn rằng đã ngắt kết nối điện của máy với nguồn điện trước khi vệ sinh hay bảo dưỡng.

Điều quan trọng là làm sạch hoặc thay thế các bộ lọc (lưới lọc, hộp hứng dầu, than hoạt tính) trong thời gian nhất định và phù hợp để tránh nguy cơ cháy máy. Không vận hành máy mà không có các bộ lọc dầu mỡ.

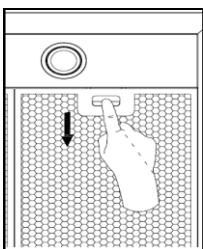
Lưới lọc (Hình 10)

- Lưới lọc được sử dụng để hấp thụ dầu mỡ trong quá trình nấu ăn. Các lưới lọc phải được vệ sinh định kỳ sau 4 tuần và tùy theo mức độ sử dụng. Vệ sinh lưới lọc bằng tay hoặc bằng máy rửa chén. Lưu ý, phải cẩn thận để không làm biến dạng.
- Nếu rửa bằng tay, hãy ngâm lưới lọc trong nước ấm pha loãng dung dịch (dễ tan dầu mỡ). Dùng bàn chải mềm chà sạch rồi rửa lại bằng nước sạch sau đó để khô trước khi lắp trở lại.
- Nếu rửa bằng máy, hãy chọn chương trình rửa thích hợp rồi để khô trước khi lắp trở lại.

Lưu ý: lưới lọc có thể đổi màu sau nhiều lần sử dụng—vệ sinh hoặc do dư dụng chất tẩy có nồng độ cao .

- Cách tháo lắp lưới lọc:

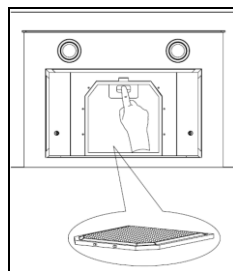
- Để tháo lưới lọc, kéo nhẹ khóa trượt và hạ xuống từ từ.
- Để lắp lưới lọc, đưa hai chốt của lưới vào rãnh định vị. Sau đó dùng tay kéo khóa trượt đồng thời nâng lên từ từ rồi bỏ tay ra.



Hình 10

Than hoạt tính (Hình 11)

- Than hoạt tính nên thay sau khoảng từ 4 đến 6 tháng tùy mật độ sử dụng, lúc này than đã bão hòa nên mất tác dụng.
- Than hoạt tính không rửa được và có thể không phục hồi. Để chế độ này hoạt động hiệu quả cần thường xuyên vệ sinh bảo quản và thay than đúng định kì để tránh hiện tượng quá nhiệt làm nóng động cơ
- Cách tháo lắp lưới than:
 - Tương tự như tháo lắp lưới lọc (do than được gắn kèm theo lưới lọc bên trong). Gỡ bỏ lưới than cũ và gắn lưới than mới vào.
 - Lắp lưới lọc trở lại máy.



Hình 11

Vệ sinh thân máy

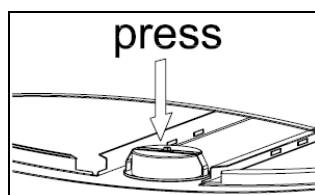
- Dùng vải mềm nhúng ẩm với nước ấm pha loãng dung dịch rửa chén. Sau đó lau lại với nước sạch và lau khô.
- Không sử dụng các vật cứng, dung dịch có nồng độ cao vì sẽ làm hư bề mặt lớp bảo vệ.

Thay thế đèn chiếu sáng (Hình 12 & 12.1)

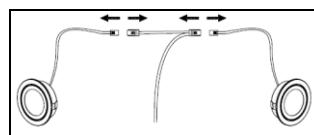
! Thay thế đèn không đúng điện áp không đúng tiêu chuẩn hoặc không tương thích sẽ làm hao tổn các linh kiện liên quan hoặc tổn thất đơn vị điện.

- Cách thay thế :

- Ấn đều cả chụp bóng đèn theo hướng từ trong ra ngoài (Hình 12).
 - Tháo các liên kết điện của bóng đèn (Hình 12.1).
 - Thay thế bằng một bóng đèn khác (cả chụp đèn).
- Lưu ý:** Để mua phụ tùng (linh kiện thay thế), hãy liên hệ Trung tâm DVCSKH Rinnai hoặc trạm bảo hành được ủy quyền gần nhất.
- Lắp bóng đèn theo chiều ngược lại.



Hình 12



Hình 12.1

Lưu ý: Nên làm theo các hướng dẫn an toàn, Nhà sản xuất hay Nhà cung cấp sẽ không chịu trách nhiệm về những tổn thất hay những tổn hại, nguy hiểm do không tuân thủ các khuyến cáo an toàn.

SỰ CỐ - CÁCH XỬ LÝ

Sự cố	Nguyên nhân	Xử lý
Quạt không hoạt động	Không có nguồn	Kiểm tra kết nối nguồn hoặc bo nguồn.
Áp lực gió yếu	Lưới lọc bị đầy dầu mỡ	Vệ sinh lưới lọc
	Than hoạt tính đã bão hòa (no dầu	Thay than hoạt tính mới
Hiệu quả hoạt động thấp	Thiếu thông gió	Đảm bảo gian bếp có gió ra vào
	Không lắp lưới than	Gắn lưới than vào nếu sử dụng chế độ tự hủy.
Motor hoạt động nhưng không có gió	Cửa thoát bị tắc hoặc quá hẹp	Vui lòng liên hệ Trung tâm DVCSKH Rinnai hoặc trạm bảo hành được ủy quyền
Có âm thanh lạ bên trong máy	Có thể là do tác động từ bên ngoài lên cánh quạt	Vui lòng liên hệ Trung tâm DVCSKH Rinnai hoặc trạm bảo hành được ủy quyền
Đèn không sáng	Bóng đèn bị cháy	Thay thế bóng đèn bị hỏng
	Liên kết điện của bóng hoặc chân đèn không chặt	Gắn cho chặt

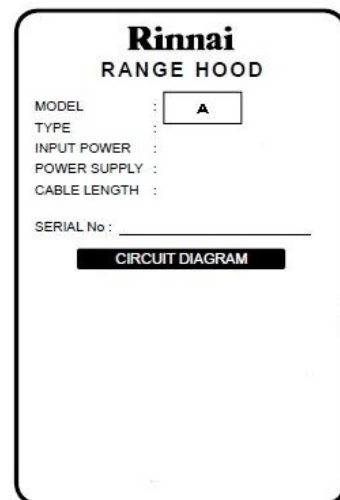
Nếu những trường hợp trên vẫn còn sau khi đã kiểm tra, hãy liên hệ với Trung tâm DVCSKH Rinnai hoặc trạm bảo hành được ủy quyền.

Vui lòng báo tên, số seri được in trên tem hàng hóa và dán theo sản phẩm (Hình 13).

Với sản phẩm còn nằm trong thời gian bảo hành, đó là những điều kiện quan trọng và cần thiết cùng với phiếu bảo hành đính kèm.

Hình 13

Lưu ý: tem hàng hóa là bao gồm việc thể hiện mục đích chỉ dẫn và thông số đặc thù liên quan đến các sản phẩm khác nhau.



สารบัญ

ค่าเตือนเพื่อความปลอดภัย	29
คุณสมบัติและส่วนประกอบผลิตภัณฑ์	30
วิธีการติดตั้ง	32
วิธีการใช้งาน	33
วิธีดูแลและบำรุงรักษา	34
วิธีการแก้ไขเบื้องต้น	35



สำคัญ

โปรดนำสติ๊กเกอร์หมายเลขเครื่อง (Serial Number) ที่ให้มาพร้อมกับสินค้าในกล่องติดตั้งบนใบรับประกันสินค้าเพื่อทำการลงทะเบียนรับ การประกันสินค้า

หากต้องการความช่วยเหลือ กรุณาติดต่อศูนย์บริการในใกล้บ้านท่าน

ค่าเตือนเพื่อความปลอดภัย

โปรดอ่านคู่มือการใช้งานอย่างละเอียดก่อนการใช้งานเครื่องใช้ครั้งแรก คู่มือนี้มีข้อมูลที่สำคัญของวิธีการติดตั้ง วิธีการใช้ งานและการดูแลรักษาเครื่องใช้ไฟฟ้าอย่างปลอดภัย ให้เก็บคู่มือนี้ไว้ให้ผู้ใช้งานคนต่อไปสำหรับใช้อ้างอิงและใช้งาน

คำแนะนำก่อนการนำออกมาใช้งาน

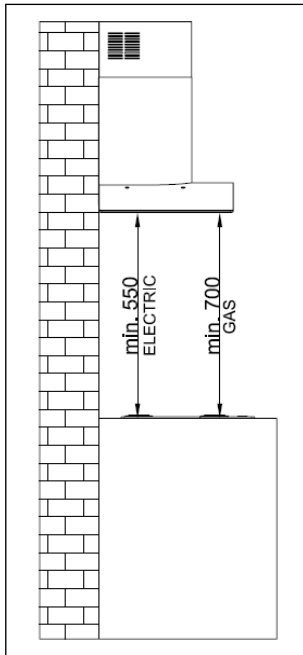
- อย่าใช้งานเครื่องใช้นี้ หากเห็นว่ามีความเสียหายที่เกิดจาก การขนส่งอย่างเห็นได้ชัด
- หากมีสายไฟชำรุด ทางผู้ผลิตต้องเปลี่ยนให้ใหม่ โดยต้อง ให้ช่างผู้ชำนาญเป็นคนดำเนินการให้เพื่อหลีกเลี่ยงอันตราย
- โปรดระมัดระวังไม่ให้เด็กเล็กนำถุงพลาสติกที่ห่อ เครื่องใช้นี้ไปเล่น

คำแนะนำสำหรับการติดตั้ง

- สามารถติดตั้งเครื่องดูดควันเหนือเตาแก๊สและเตาไฟฟ้า โดย ให้มีระยะห่างระหว่างเตากับเครื่องดูดควันอย่างน้อย 700 มม. (สำหรับเตาแก๊ส) และ 550 มม. (สำหรับเตาไฟฟ้า) (รูปที่ 1)

คำแนะนำสำหรับการใช้งาน

- เครื่องดูดควันถูกออกแบบมาเพื่อใช้สำหรับการกำจัดกลิ่นอัน ไม่พึงประสงค์ภายในห้องครัว อย่าใช้งานเครื่องดูดควันเพื่อ วัตถุประสงค์อื่นนอกเหนือจากที่ระบุไว้
- ห้ามไม่ให้เด็กเล็กเข้าไปเล่นหรือใช้งานเครื่องดูดควันโดยที่ ไม่มีคนดูแล
- การติดตั้งหรือการซ่อมเครื่องใช้ ควรดำเนินการโดยช่าง เทคนิควุฒิช่างชำนาญเท่านั้น
- การแก้ไขตัดแปลงส่วนต่างของผลิตภัณฑ์เป็นเรื่องอันตราย การเจาะเข้าไปในส่วนที่เชื่อมต่อกับไฟฟ้าหรือเครื่องกล สามารถเป็นเหตุให้เกิดการทำงานผิดพลาดและจะส่งผลให้ เกิดอันตรายต่อผู้ใช้งานได้ ไม่ปล่อยให้ปลั๊กไฟเครื่องดูดควันที่กำลังทำงาน ต้องให้มี ภาชนะที่ใช้ทำอาหารวางบนเตาเสมอขณะใช้งาน



รูปที่ 1

- แขนงเครื่องดูดควันในตำแหน่งตรงกลางของเตาหุงต้มเสมอ
- จุดที่ติดตั้งเครื่องใช้ต้องเป็นที่ที่มีอากาศถ่ายเทได้ดีอยู่ตลอดเวลา
- เมื่อทำการต่อสายไฟ, ให้ตรวจดู
 - แรงดันไฟฟ้าและค่าความถี่ของกระแสไฟสอดคล้องกับข้อมูลทางเทคนิคที่แสดงไว้บนฉลาก
 - การเชื่อมต่อไฟฟ้าต้องเป็นไปตามมาตรฐานภายในประเทศเท่านั้น ให้ตรวจสอบแรงดันไฟฟ้าในพื่นที่ของคุณให้ถูกต้องก่อนการใช้งาน
- ต่อสายดินเข้ากับขั้วไฟฟ้าให้ถูกต้องตามท้องที่ของคุณ การต่อสายไฟของเครื่องใช้นี้ต้องต่อเข้ากับสายดิน (ในกรณีที่มี):
 - สีเหลือง & เขียว = สายดิน; สีน้ำเงิน = นิวตรอน; สีน้ำตาล = สายไฟฟ้า
- แบบต่อท่อ:
 - ต่อเครื่องดูดควันเข้ากับท่อดูดผ่านท่อที่มีขนาด \varnothing 120 มม. เป็นอย่างน้อย โดยให้ต่อท่อในระยะทางที่สั้นที่สุดและตรงที่สุดเท่าที่จะทำได้
 - อย่าต่อเครื่องดูดควันเข้ากับท่อระบายอากาศโดยตรง อันจะทำให้เข้ามาซึ่งการเผาไหม้ได้
 - ให้มีการระบายอากาศที่เหมาะสม ถ้าใช้เครื่องดูดควันกับเครื่องใช้ที่ไม่ใช่เครื่องใช้ไฟฟ้า เช่น แก๊ส ต้องติดตั้งเครื่องดูดควันบริเวณที่มีการระบายอากาศที่เหมาะสม คือห้องครัวต้องเปิดโล่งเพื่อให้อากาศบริสุทธิ์ข้างนอกไหลเข้ามาได้

หมายเหตุ: ทางผู้ผลิตยอมรับว่าไม่ได้มีความรับผิดชอบต่อข้อร้องเรียนเรื่องการออกแบบหรือการต่อท่อ

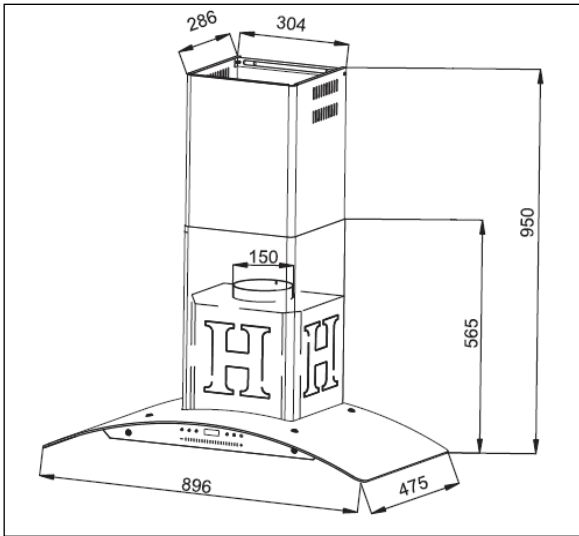
- อย่าทำอาหารชนิดที่ใส่เหล้าลงไปแล้วจุดให้ไฟลุกหรือทำการย่างให้เปลวไฟเข้าไปในเครื่องดูดควันได้ เพราะเปลวไฟอาจถูกดูดเข้าไปถึงตัวกรองไขมัน
- การทำอาหารด้วยน้ำมันเป็นเวลาต่อเนื่องกันทำให้น้ำมันร้อนมากขึ้นทำให้เกิดความเสี่ยงที่จะไหม้
- ไม่ใช้งานเครื่องดูดควันโดยไม่มีตัวกรองไขมัน
- การทำความสะอาดหรือเปลี่ยนตัวกรองไขมันในเวลาที่เหมาะสมเป็นเรื่องที่สำคัญ
- การสะสมของไขมันจำนวนมาก เพิ่มความเสี่ยงต่อการเกิดไฟไหม้
- ก่อนถอดออกมาทำความสะอาดหรือซ่อมแซม ให้ถอดปลั๊กออกจากเต้าเสียบก่อนเสมอ
- แนใจว่าสายไฟไม่ได้อยู่ใกล้แหล่งความร้อนหรือของมีคม
- ต้องไม่ใช่ปลั๊กหรือสายไฟพ่วงกันกับเครื่องใช้อื่น การใช้งานมากเกินไปอาจเป็นอันตรายและเป็นเหตุให้เกิดไฟไหม้ได้

การกำจัดผลิตภัณฑ์

- ผลิตภัณฑ์และหีบบรรจุภัณฑ์นี้เป็นมิตรกับสิ่งแวดล้อมและสามารถนำกลับมาใช้ใหม่ได้ โปรดช่วยเราในการดูแลสิ่งแวดล้อมโดยการกำจัดบรรจุภัณฑ์ในลักษณะที่เหมาะสมและทำการรีไซเคิลเครื่องใช้ไฟฟ้าเก่าๆ
- ก่อนที่จะทิ้งเครื่องเก่า ให้ตัดการเชื่อมต่อจากแหล่งจ่ายไฟและตัดสายไฟออกก่อนเพื่อป้องกันอันตราย

หมายเหตุ: ผู้ผลิตไม่รับผิดชอบต่อความเสียหายใดๆที่เกิดจากการติดตั้งที่ไม่เหมาะสมและหรือจากการติดตั้งและการใช้งานที่ไม่เป็นไปตามคู่มือการใช้งาน

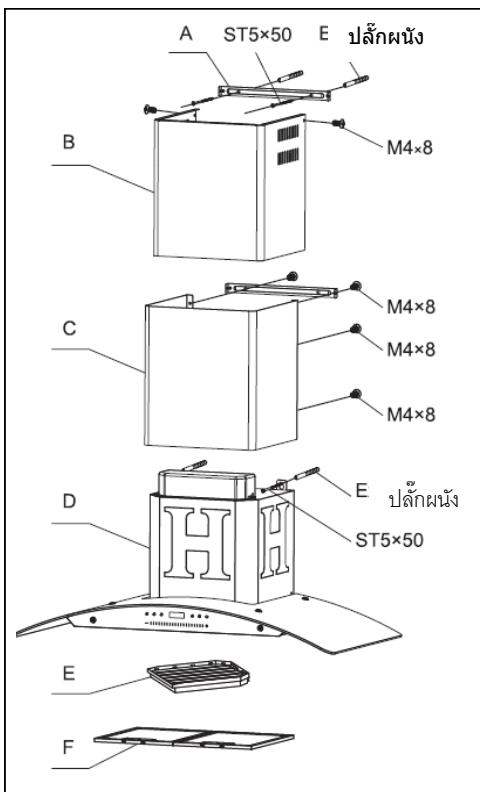
คุณสมบัติจำเพาะ



รูป 2

รุ่น	RH-C759 SB/SG/SC/MB/MG/MC
แรงดันไฟฟ้า	220 โวลต์-240 โวลต์/50 เฮิร์ตซ์
กำลังมอเตอร์	280 วัตต์
หลอด LED	2 x 2 วัตต์
ความยาวสายไฟ	1.5 เมตร
ขนาดผลิตภัณฑ์ (ก x ล x ส): รุ่น 90 ซม.	896 x 475 x 565-950 มม.
<i>หมายเหตุ:</i> ผู้ผลิตขอสงวนสิทธิ์ในการพัฒนาเทคโนโลยีโดยไม่ต้องแจ้งให้ทราบล่วงหน้า	

ส่วนประกอบผลิตภัณฑ์



รูปที่ 3

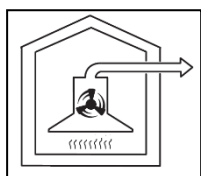
อ้างอิง	จำนวน	ส่วนประกอบ
A	2	โครงแขวน
B	1	ท่อนใน
C	1	ท่อนอก
D	1	ตัวประกอบพัดลมเป่า
E	1	ตัวกรองถ่านชาโคลล์
F	2	กรองอลูมิเนียม
จำนวน		อุปกรณ์สำหรับการติดตั้ง
	8	สกรู M4 x 8
	4	สกรู ST5 x 50
	4	ปลั๊กผนัง Ø10
จำนวน		เอกสาร
	1	คู่มือการติดตั้งและใช้งาน

วิธีการติดตั้ง

เครื่องใช้นี้สามารถติดตั้งใช้งานได้ทั้งแบบหมุนเวียนหรือต่อท่อดูด

การติดตั้งแบบต่อท่อ (รูปที่ 4)

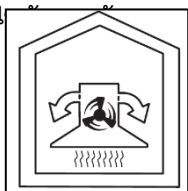
- การทำงานแบบต่อท่อ, พัดลมดูดจะดูดไอระเหยที่เกิดจากการปรุงอาหารส่งผ่านไปยังตัวกรองไขมันเพื่อสกัดอากาศเสีย และระบายอากาศออกไปข้างนอก
- ตัวกรองไขมันทำหน้าที่ดูดซับไอระเหยของน้ำมันหรือเขม่าที่เกิดจากการทำอาหาร
- ในโหมดนี้, **ติดตั้งเฉพาะตัวกรองไขมันเท่านั้น**



รูปที่ 4

การติดตั้งแบบหมุนเวียน (รูปที่ 5)

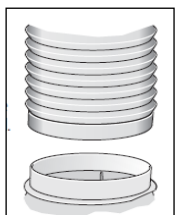
- ในโหมดหมุนเวียน, พัดลมดูดจะดูดกลิ่นที่เกิดจากการทำอาหารแล้วทำการฟอกอากาศในที่กรองไขมันและที่กรองชาโคลให้บริสุทธิ์
- หลังจากนั้นอากาศบริสุทธิ์จะไหลหมุนเวียนเข้ามาในห้องครัวผ่านช่องในเครื่องดูดควันที่เปิดอยู่ ที่กรองไขมัน จะทำการดูดซับกลิ่นที่เกิดจากการทำอาหาร
- ตัวกรองถ่านชาโคลได้ถูกออกแบบให้ดูดซับกลิ่นที่เกิดจากการทำอาหาร การทำงานในรูปแบบนี้, **ต้องติดตั้งที่กรองไขมันและที่กรองถ่านชาโคล**



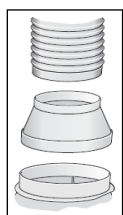
รูปที่ 5

การเชื่อมต่อกับท่อระบายอากาศ (รูปที่ 6 & 6.1)

- ติดท่อขนาด $\text{Ø}150$ มม. เข้ากับท่อระบายอากาศโดยตรง และขันให้แน่นพอดี (รูปที่ 6)
- หากใช้ท่อ $\text{Ø}120$ มม, ต่อเข้ากับท่อระบายอากาศโดยใช้ที่ปรับขนาดท่อ (ไม่มีมาให้)
- ปรับหมุนให้เข้าที่ (รูปที่ 6.1)
- ต่อท่อเข้ากับท่อนอก



รูปที่ 6

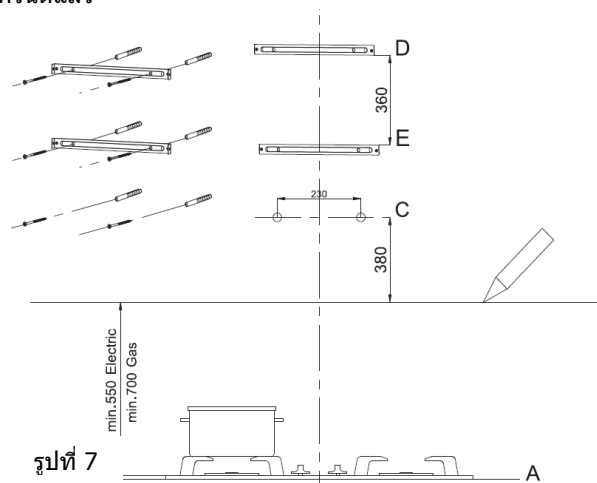


รูปที่ 6.1

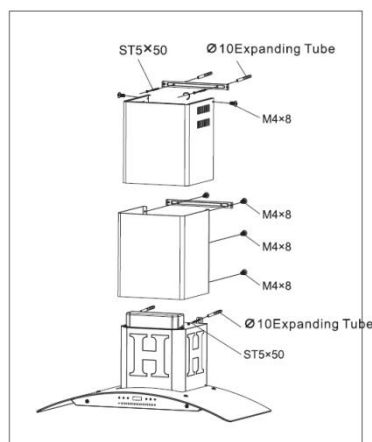
วิธีการแขวนเข้ากับผนัง (รูปที่ 7 & 8)

ต้องแน่ใจว่าได้แขวนเครื่องใช้นี้กับผนังที่แข็งแรงซึ่งสามารถรับน้ำหนักของเครื่องใช้ได้เป็นอย่างดี

- ตีเส้นแนวตั้งเพื่อให้เป็นจุดกึ่งกลางบนผนัง
- จากจุดด้านบน (ดูที่ A), ตีเส้นแนวอนเหนือเส้นล่าง ระดับความสูงให้อยู่ในระยะที่ต่ำสุดได้ (ดูที่ B)
- ทำเครื่องหมายที่ตำแหน่ง C ทำซ้ำขั้นตอนเดิมกับอีกด้าน
- เจาะรูขนาด $\text{Ø}8$ มม. ตรงกลางตำแหน่งที่ทำเครื่องหมายไว้แล้วใส่ปลั๊กผนังเข้าไปในผนัง
- ติดตัวเครื่องดูดควันเข้ากับผนังด้วยสกรู T5 x 50 จำนวน 2 ตัวที่ให้มา ขันสกรูให้แน่น หมายเหตุ: ปรับแนวเครื่องดูดควันได้หากจำเป็น (รูปที่ 9)
- วางตัวยึดเครื่องดูดควันบนผนัง ระดับความสูงตามต้องการ แล้ววางตัวยึดไว้ตรงกลางตามแนวตั้งที่ตีเส้นไว้ (ดูที่ D)
- ทำเครื่องหมายตรงกลางจุดที่จะเจาะรูเพื่อแขวนแล้วเจาะรูขนาด $\text{Ø}8$ มม. แล้วใส่ปลั๊กผนังเข้าไปในผนัง
- ใช้สกรู ST5 x 25 2 ตัวที่ให้มาขันที่ยึดเครื่องดูดควันเข้ากับผนังให้แน่น
- ยึดท่อในเข้ากับตัวยึดเครื่องดูดควันด้วยสกรู M4 x 8 จำนวน 2 ตัว ที่มีมาให้ (รูปที่ 8).
- เลื่อนท่อนอกลงต่ำแล้วดูให้แน่ใจว่าได้ตั้งอยู่บนตัวเครื่องดูดควันดีแล้ว



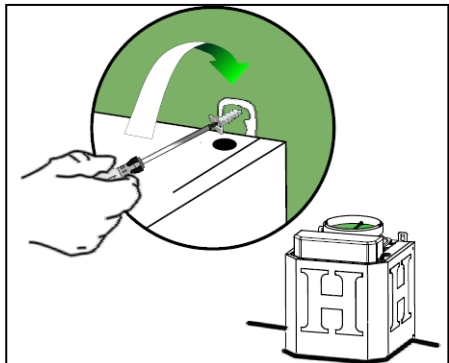
รูปที่ 7



รูปที่ 8

การปรับจัดวางตำแหน่งตัวเครื่องดูดควัน (หากจำเป็น) (รูปที่ 9)

- ก่อนจะทำกาติดตั้งเครื่องทำน้ำอุ่นเข้ากับฝาด้าน ให้ใช้สกรู 2 ตัวที่ให้มาปรับตำแหน่งแขวนเครื่องดูดควันตามเหมาะสม
- เกี่ยวตะขอตัวเครื่องดูดควันกับสกรูที่ใช้สำหรับแขวนแล้วขันสกรูให้แน่น
- ปรับสกรูเพื่อปรับระดับตัวเครื่องดูดควัน



รูปที่ 9

การติดตั้งจะต้องทำโดยเจ้าหน้าที่ผู้ชำนาญเท่านั้น ผู้ผลิตปฏิเสธความรับผิดชอบสำหรับการติดตั้งที่ไม่ถูกต้องเหมาะสมทั้งหมด และไม่รับประกันเครื่องใช้นี้ ในกรณีที่การเสียหายนั้นเกิดจากการติดตั้งที่ไม่ถูกต้อง

วิธีการทำงาน

เพื่อให้การสกัดอากาศที่ได้ผลดีกว่า แนะนำให้เปิดพัดลมก่อนเริ่มการทำอาหารสักเล็กน้อย ปลดปล่อยให้พัดลมทำงานต่อไปประมาณ 15 นาทีหลังการทำอาหารหรือจนกว่ากลิ่นที่เกิดจากทำอาหารหมดไป

สรีรศาสตร์ควบคุมการทำงาน

หมายเหตุ: สัมผัสปุ่มเซ็นเซอร์เพียงเบาๆเพื่อให้เครื่องใช้ทำงานอย่างที่ต้องการ



ปุ่มเปิด/ยัดเวลา/ปิดการทำงาน: เลือกปุ่มเปิด/ปิดเพียงการสัมผัสปุ่ม เมื่ออยู่ในโหมดการทำงาน, กดหนึ่งครั้งเพื่อเข้าสู่โหมดหน่วงเวลา ค่าหน่วงเวลาที่ตั้งไว้คือ 1 นาที ค่อยๆเลื่อนผ่าน the ten-key slider เพื่อปรับค่าหน่วงเวลา: เลื่อนไปทางขวาเพื่อเพิ่มระยะเวลา, เลื่อนไปทางซ้ายเพื่อลดระยะเวลา ระยะเวลาหน่วงเวลาสูงสุดได้ 10 นาที เมื่อถึงเวลานับถอยหลัง, หน้าจอจะแสดงเวลา, และตัวบ่งชี้จะแสดงความเร็ว กดปุ่ม on/off เพื่อออกจากโหมดหน่วงเวลาและปิดพัดลม

การเปิด/ปิดไฟแสงสว่าง: สัมผัสปุ่ม เพื่อเลือกเปิด/ปิดไฟแสงสว่าง

การตั้งค่าเวลา: ขณะอยู่ในโหมดปิดการทำงาน ทำการตั้งค่านาฬิกาด้วยการกดปุ่มเปิด/ปิดค้างไว้ จนกระทั่งหน้าจอกระพริบ, กดปุ่ม เพื่อลดเวลา และกดปุ่ม เพื่อเพิ่มเวลา หลังจากนั้น, กด เพื่อยืนยันและให้ทำงานตามเวลาหน้าจอ

ความเร็วลมต่ำ: กด เพื่อเปิด/ปิดพัดลมที่ความเร็วต่ำ

ความเร็วลมปานกลาง: กด เพื่อทำการเปิด/ปิดพัดลมที่ความเร็วปานกลาง

ความเร็วลมสูง: กด / เพื่อทำการเปิด/ปิด ที่ความเร็วสูง

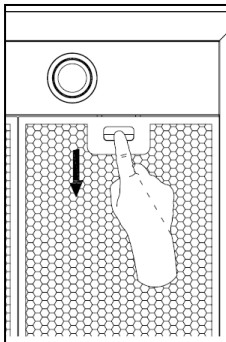
การเลื่อนด้วยระบบสัมผัส: ค่อยๆเลื่อนไปทางขวาเพื่อเพิ่มความเร็วพัดลมเป่า และเลื่อนไปทางซ้ายเพื่อลดความเร็วพัดลมเป่า

วิธีการดูแลและบำรุงรักษา

ก่อนการทำความสะอาดหรือการบำรุงรักษา ให้ดึงสายไฟออกจากปลั๊กก่อนทุกครั้ง การทำความสะอาดหรือการเปลี่ยนที่กรองไขมันในเวลาที่เหมาะสมเป็นเรื่องสำคัญ เพราะการสะสมของไขมันทำให้เสี่ยงต่อการเกิดไฟไหม้ อย่าใช้เครื่องดูดควันโดยไม่มีที่กรองไขมัน

กรองไขมัน (รูปที่ 10)

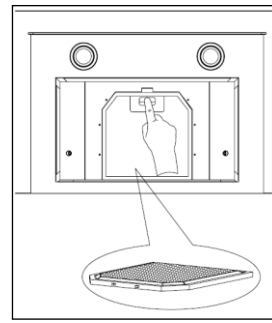
- ตัวกรองน้ำมันใช้สำหรับการดูดซับไขมันที่ก่อตัวขึ้นขณะทำอาหาร ต้องถอดตัวกรองออกมาทำความสะอาดทุก 4 สัปดาห์ ทั้งนี้ขึ้นอยู่กับความถี่ในการใช้งาน, การทำความสะอาดทำได้ด้วยมือหรือเครื่องล้างจานก็ได้ หมายเหตุ: ระวังไม่ให้ตัวกรองบิดงอขณะทำความสะอาด
- หากทำความสะอาดด้วยมือ, ให้แช่ตัวกรองไขมันในน้ำยาทำความสะอาดผสมน้ำอุ่นเพื่อให้ล้างไขมันออกได้ง่าย ล้างน้ำให้สะอาดแล้วปล่อยให้แห้งก่อนนำไปใส่ไว้ที่เดิม
- ถ้าทำความสะอาดด้วยเครื่องล้างจาน, ให้เลือกโปรแกรมการซักที่เหมาะสม ล้างแล้วทิ้งไว้ให้แห้งก่อนที่จะนำไปใส่เข้าที่เดิม หมายเหตุ: ตัวกรองอาจมีการเปลี่ยนสีเล็กน้อย
- **วิธีการใส่และการถอดที่กรองไขมัน:**
 - การถอด, กดตรงที่จับและดึงออกในเวลาเดียวกัน
 - การใส่, สอดที่กรองเข้าไปในตำแหน่งเดิม ดูให้แน่ใจว่ามองเห็นที่จับได้จากด้านบน



รูปที่ 10

ตัวกรองถ่านชาร์โคล (ในกรณีที่ต้องมี) (รูปที่ 11)

- ควรทำการเปลี่ยนตัวกรองถ่านเมื่อเห็นขีดว้าสกรปรกหรือสีจาง โดยปกติแล้วจะต้องเปลี่ยนหลังการใช้งานไป 6-12 เดือน ขึ้นอยู่กับสภาพการใช้งาน
- ตัวกรองเหล่านี้ไม่สามารถนำกลับมาใช้ใหม่ได้ เพื่อให้แน่ใจว่าเครื่องใช้นี้ทำงานอย่างมีประสิทธิภาพ การดูแลรักษาอย่างสม่ำเสมอเป็นเรื่องจำเป็น เพราะการอุดตันของตัวกรองจะทำให้จำกัดการไหลของอากาศและอาจทำให้มอเตอร์ร้อนเกินไป
- **วิธีการใส่และการถอดที่กรองถ่านชาร์โคล:**
 - นำตัวกรองถ่านที่เปียกชุ่มออกจากพัดลม ดังในรูปที่แสดงไว้
 - ใส่ตัวกรองถ่านอันใหม่



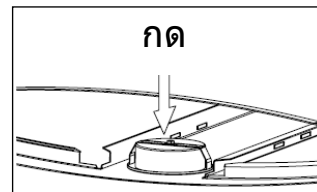
รูปที่ 11

วิธีการทำความสะอาดตัวผลิตภัณฑ์

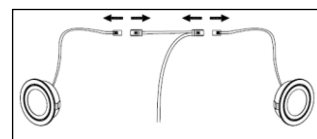
- ทำความสะอาดเครื่องดูดควันด้วยผ้าชุบน้ำยาทำความสะอาดผสมน้ำอุ่น แล้วใช้ผ้าเช็ดให้แห้ง
- ให้หลีกเลี่ยงการใช้ น้ำยาที่มีฤทธิ์เป็นกรดหรือสารกัดกร่อนที่จะทำลายพื้นผิวของผลิตภัณฑ์

วิธีการเปลี่ยนหลอดไฟ (รูปที่ 12 & 12.1)

- ⚠ ให้เปลี่ยนหลอดไฟที่มีคุณสมบัติเหมือนเดิม หลอดไฟที่มีแรงดันไฟฟ้าที่สูงกว่าเดิมอาจทำลายระบบไฟฟ้าได้
- **วิธีการถอดและการใส่หลอดไฟ:**
 - ดันหลอดไฟออกจากด้านในของตัวเครื่องดูดควัน (รูปที่ 12)
 - ถอดขั้วต่อสายไฟ (รูปที่ 12.1)
 - ประกอบหลอดไฟชุดใหม่เข้าไปแทนหลอดไฟที่เสียหาย หมายเหตุ: สำหรับการซื้ออะไหล่, กรุณาติดต่อขอความช่วยเหลือจากศูนย์ลูกค้าสัมพันธ์ใกล้บ้าน
 - ทำย้อนกลับขั้นตอนเดิมสำหรับการติดตั้งหลอดไฟใหม่



รูปที่ 12



รูปที่ 12.1

ขอแนะนำให้คุณปฏิบัติตามคำแนะนำเพื่อความปลอดภัย ทางผู้ผลิตจะไม่รับผิดชอบความเสียหายใดๆที่เกิดขึ้นกับเครื่องใช้นี้หรือการเกิดอันตรายจากไฟไหม้เพราะเกิดความผิดพลาดจากการไม่ปฏิบัติตามคำแนะนำด้านความปลอดภัย

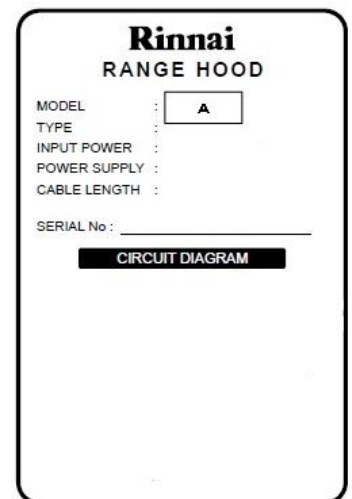
วิธีการแก้ปัญหาเบื้องต้น

ปัญหา	สาเหตุ	การแก้ปัญหา
เครื่องดูดควันไม่ทำงาน	ไม่มีกระแสไฟฟ้า	ตรวจสอบว่าได้เสียบปลั๊กไฟและได้เปิดสวิตช์ไฟแล้ว
การไหลเวียนอากาศไม่ดี	ที่กรองอุดตันจากไขมันที่ก่อตัวขึ้น	ทำความสะอาดที่กรองไขมันแล้วประกอบเข้าไปใหม่หลังจากแห้งแล้ว
	ที่กรองถ่านอุดตันจากไขมันที่ก่อตัวขึ้น	เปลี่ยนตัวกรองถ่านอันใหม่
การดูดควันไม่มีประสิทธิภาพ	การระบายอากาศไม่เพียงพอ	ตรวจสอบให้แน่ใจว่าภายในห้องครัวมีการระบายอากาศที่เพียงพอสำหรับให้อากาศบริสุทธิ์เข้ามาได้
	ไม่ได้ติดตั้งตัวกรองถ่านชาร์โคล	ติดตั้งตัวกรองถ่านชาร์โคลสำหรับการติดตั้งแบบหมุนเวียนอากาศ
เครื่องทำงานแต่ไม่มีอากาศไหลเวียน	การดูดอากาศไม่ดี	กรุณาติดต่อศูนย์ลูกค้าสัมพันธ์รินไน
มีเสียงดังหึ่งๆ	อาจมีสิ่งแปลกปลอมเข้าไปติดในใบพัด	กรุณาติดต่อศูนย์ลูกค้าสัมพันธ์รินไน
หลอดไฟแสงสว่างไม่ทำงาน	หลอดไฟใหม่	เปลี่ยนหลอดไฟ
	หลอดไฟหลวม	หมุนหลอดไฟให้แน่น

หากปัญหาการใช้งานยังคงอยู่หลังจากได้ทำการแก้ปัญหาเบื้องต้นแล้ว ให้ติดต่อขอความช่วยเหลือจากศูนย์ลูกค้าสัมพันธ์ใกล้บ้านท่าน

กรุณาระบุหมายเลขรุ่นผลิตภัณฑ์ที่ติดอยู่บนเครื่องใช้ของคุณที่ (รูปที่ 13)

สำหรับการให้บริการภายใต้เงื่อนไขการรับประกันนั้น ต้องเป็นไปตามข้อมูลการซื้อและระยะเวลาในการเอาประกันตามที่ระบุไว้ในใบรับประกันสินค้า



รูปที่ 13 – ฉลากนี้มีไว้สำหรับการประกอบ การอธิบายเท่านั้น และแต่ละรุ่นมีคุณสมบัติจำเพาะที่แตกต่างกัน

Rinnai Customer Care Centres

China | 中国

Guangzhou Rinnai Gas & Electric
Room 2805, No.31 Jianghe Building,
Tianshou Road, Guangzhou, China
广州林内燃具电器有限公司
中国广州天河区天寿路 31 号江河大厦 2805 室
Tel 电话 : (86) 20 3821 7976
Email 邮箱 : grrjdg@gzrinnai.com.cn
URL 网址 : www.gzrinnai.com.cn

Indonesia

Customer Care of PT. Rinnai Indonesia
Jl. Raya Perjuangan No.21,
Komp. Ruko Sastra Graha No.11 -13
Jakarta 11530
Tel : (62) 0800 1 889 889 (toll free) /
0815 112 99999 (SMS Center)
Email : customercare_bit@yahoo.com
URL : www.rinnai.co.id

Macau | 澳門

Fu Lei (Leong Si) Trading Limited
Avenida do Almirante Lacerda No. 14-14C,
Edf. Industrial Iao Son 11-And-A, Macau
富利 (梁氏) 貿易有限公司
澳門提督馬路 14-14C, 祐順工業大廈 11 樓 A
Tel 电话 : (853) 2822 0889
Fax 传真 : (853) 2822 2733
URL 网址 : www.rinnai.com.hk/mo

Malaysia

Rinnai (M) Sdn Bhd
D2-3-G & D2-3-1, Block D2, Pusat Perdagangan Dana 1,
Jalan PJU 1A/46, 47301 Petaling Jaya,
Selangor Darul Ehsan, Malaysia
Tel : (60) 3 7832 0037 / 7832 0038 / 7832 0039
Fax : (60) 3 7832 0036
URL : www.rinnai.com.my

Myanmar | မြန်မာ

Myanmar Kowa International Co., Ltd
No.199, Ground Floor, 34th Street (Upper Block),
Kyauktada Township, Yangon, Myanmar
အမှတ် (၁၉၉)၊ ၃၄ လမ်း (အပေါ်ဘလောက်)၊
ကျောက်တံတားမြို့နယ်၊ ရန်ကင်းမြို့။
Tel ဖုန်း : (95-1) 245925 / 246304 / (95-9) 7300 7773
Fax ဖုန်း : (95-1) 245925
Email အီးမေးလ် : marketing@myanmarkowa.com

Philippines

Mitsui Industria Corporation
10 Buenaventura St., Cor MacArthur
Highway, Dalandan Valenzuela City,
Philippines
Tel : (63) 2 292 9177 / 292 9179
Fax : (63) 2 292 8187

Singapore

Rinnai Holdings (Pacific) Pte Ltd
47 Tannery Lane #05-01/02,
Elite Industrial Building II, Singapore 347794
Tel : (65) 6748 9478
Fax : (65) 6745 9240
Email : service@rinnai.sg
URL : www.rinnai.sg

Thailand | ประเทศไทย

Rinnai (Thailand) Co., Ltd.
61/1 Soi Kingkaew 9, Kingkaew Rd.
Racha Thewa, Bangphli, Samutprakarn 10540, Thailand
บริษัท รินไน (ประเทศไทย) จำกัด
เลขที่ 61/1 ซอยกิ่งแก้ว 9 ถนนกิ่งแก้ว ตำบลราชาเทวะ
อำเภอบางพลี จังหวัดสมุทรปราการ
ประเทศไทย 10540
Tel : (66) 2 3124330-40
Email : lucky02@luckyflame.co.th
URL : www.luckyflame.co.th

Vietnam | Việt Nam

Rong Viet Commerce Company Limited
120 3/2 Street, Ward 12, District 10,
Ho Chi Minh City, Vietnam
Công Ty TNHH Thương Mại Ròng Việt
120 Đường 3/2, Phường 12, Quận 10,
TP. Hồ Chí Minh, Việt Nam
Tel : (84) 8 3862 3409
Fax : (84) 8 5404 1964
Email : info@rongviet-rinnai.com
URL : www.rongviet-rinnai.com