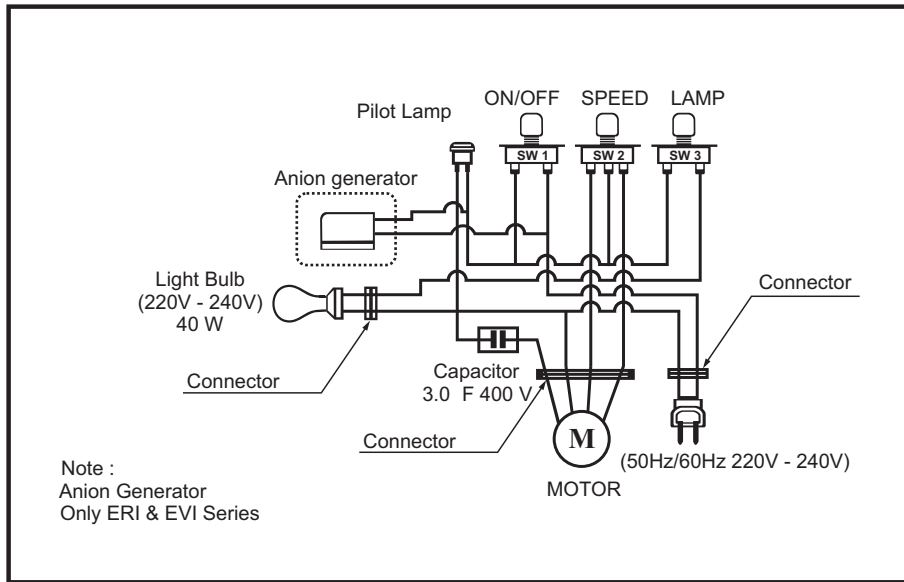


CIRCUIT DIAGRAM



Rinnai

Cooker Hoods

INSTRUCTION MANUAL

MODEL RH - 60 ER / RH - 71 ER / RH - 90 ER
RH - 60 ERI / RH - 71 ERI / RH - 90 ERI (IONIZER)
RH - 60 EV / RH - 71 EV / RH - 90 EV
RH - 60 EVI / RH - 71 EVI / RH - 90 EVI (IONIZER)



Rinnai

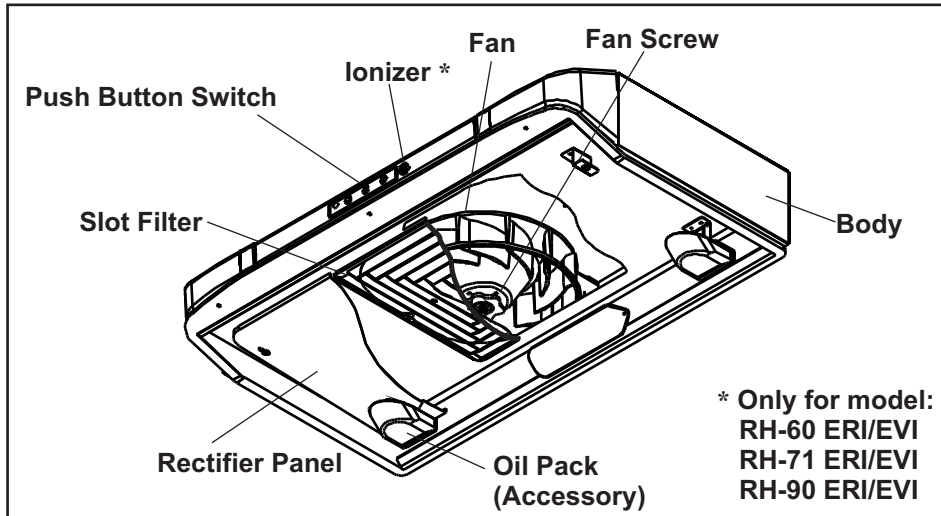
RIT-0003-111-3x02

<http://www.rinnai.co.id>

020811

Thank you very much for purchasing Rinnai cooker hoods.
Before operating the cooker hoods, please read this "Instruction Manual" thoroughly.
Keep this instruction manual in a safe place and do not lose it.

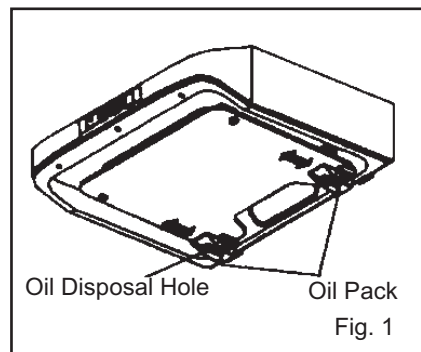
PART NAME



Mounting the oil pack

Mount the oil pack (left and right) just below the oil disposal hole of the rectifier-panel.

※ If the oil pack is not mounted just below this oil discharge hole, the oil will drop directly to the gas cooker. (Fig. 1)



Assembly

- (1) Make sure that the fan screw, fan, slot filter, rectifier, oil pack, etc, are correctly fixed.
- (2) Incorrect assembly may result in vibration or weaker air-flow.

Cautions

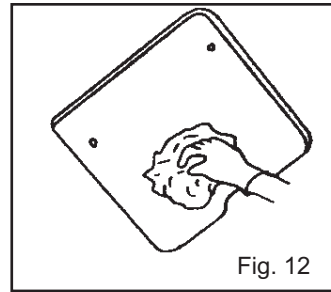
- Don't touch the spout of negative ion on the front panel, the static electricity sometimes may occur during the operation. (Only for RH-60ERI/EVI, RH-71ERI/EVI, RH-90 ERI/EVI).
- When mounting the fan, fix the notch of fan to the motor axis pin and push them together before tightening the fan screw.
- Fix the rectifier panel and the oil pack firmly to prevent dropping.
To prevent vibration and/or oil leak, tightened the screw and other parts properly.
- If the power cord of this equipment is damaged, replace it with a new cord.

SPECIFICATION

Model		RH-60 ER	RH-60 EV	RH-71 ER	RH-71 EV	RH-90 ER	RH-90 EV
		RH-60 ERI	RH-60 EVI	RH-71 ERI	RH-71 EVI	RH-90 ERI	RH-90 EVI
Recycle / Ventilation		Recycle	Ventilation	Recycle	Ventilation	Recycle	Ventilation
Dimension (WxDxH)mm		600x530x150	600x530x150	710x530x150	710x530x150	900x530x150	900x530x150
Weight (kg)		11.5 kg	11.5 kg	12.2 kg	12.2 kg	13.7 kg	13.7 kg
Motor / Fan		1Motor/1 Fan	1Motor/1 Fan	1Motor/1 Fan	1Motor/1 Fan	1Motor/1 Fan	1Motor/1 Fan
Air Volume (M ³ / H)	MAX	515	515	515	515	515	515
	MIN	325	325	325	325	325	325
Quietness (dB (A))	MAX	53.5	52.5	53.5	52.5	53.5	52.5
	MIN	43	42	43	42	43	42
Power Consumption (W)	220V~240V	121	121	121	121	121	121
Lamp (W)		40	40	40	40	40	40
Air Duct dia (mm)		-	150 dia	-	150 dia	-	150 dia
Smoke recovery (%)	MAX	98	98	98	98	98	98
	MIN	75	75	75	75	75	75

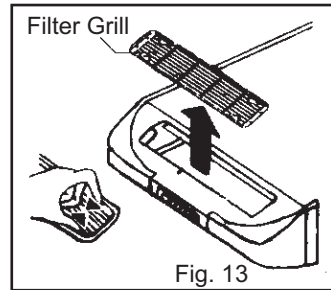
(2) Cleaning the rectifier panel

- Wash it in a tepid water with a neutral detergent dissolved and then after washing it with water again, wipe the rectifier panel thoroughly with cloth. (Fig.12)



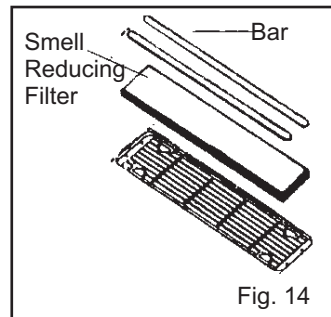
(3) Cleaning the cooker hoods body

- Wipe the cooker hoods body with a cloth immersed in a neutral detergent.



(4) Cleaning the motor

- Clean the motor by removing dust and other dirt with dried cloth.
Do not use water for cleaning the motor.

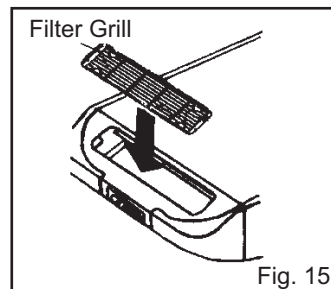


(5) Change the smell reducing filter if dirty and saturated.

(only for RH-60 ER / RH-71 ER / RH-90 ER)
RH-60 ERI / RH-71 ERI / RH-90 ERI)

How to change smell reducing filter :

- Hold the handles of both ends of filter grill and pick it up. (Fig. 13)
- Take out the bars from filter grill and then change smell reducing filter with new one. (Fig. 14)
- Assemble the filter grill and install it. (Fig. 15)



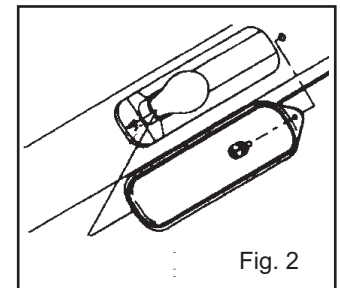
HOW TO USE



- Power button OFF ON Electric (Fan) ON/OFF
When the power button is "ON" position Fan start running with the speed according the speed button position (MIN/MAX).
Ionizer will operate when the power button is "ON" position. (Model RH-60 EVI/ERI, RH-71 EVI/ERI, RH-90 EVI/ERI).
- Speed button MIN For light cooking (For instance, steaming, light fried and etc..)
- Speed button MAX For heavy cooking (For instance, deep fried and etc..)
- Lamp button OFF ON Lamp turn ON/OFF

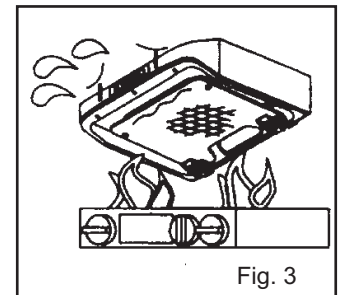
MOUNTING OF LIGHT BULB

- A 40 W mini-light bulb has been mounted to this cooker hoods.
- To replace the light bulb, remove the lamp cover
- Buy a mini-light bulb (in the base diameter 14 mm), rated 220V-40W or below for replacement. (Fig. 2)



CAUTION

- If a gas cooker / hob is turned on with fire and nothing is being placed on it (eg. Wok, pan etc..), the body of the cooker hoods will be heated and problem may arise.

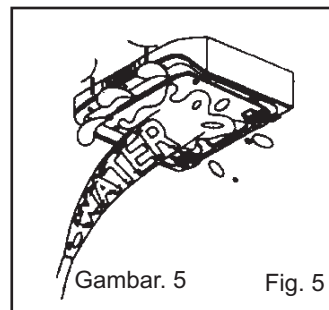
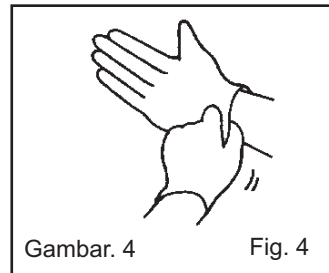


HOW TO SERVICE

To prevent grease build-up, clean the cooker hoods periodically by cleaning the slot filter once or twice month.

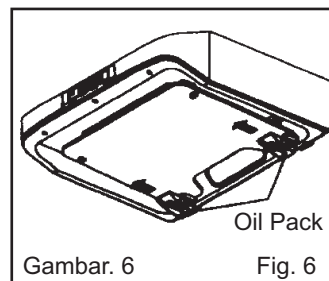
Caution for Servicing

- Before replacing the light bulb or cleaning the cooker hoods, be sure to turn the push-button switch OFF, and then put the power plug off from a receptacles.
- For safety reason always wear a pair of rubber gloves while cleaning the filter. (Fig. 4)
- Especially, be careful to prevent such electronic parts as the motor, switch, connectors or the like from being splashed with water. (Fig. 5)
- Do not use a spray type detergent to clean the electric appliances parts.
- Do not use such solvents as thinner, benzine or the like and polishing powder for cleaning the painted surfaces, facing plates, etc. As these parts may become lusterless or scored.
- Do not wash parts with a hard brush or the like for cleaning as they can be damaged.



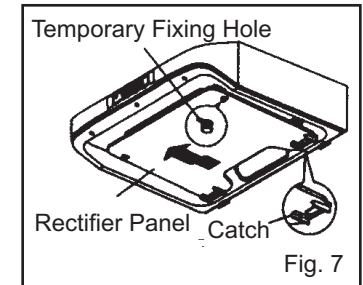
Dismantle

- (1) Remove the oil pack
 - Hold the oil pack at both ends and slide forward (Fig. 6)



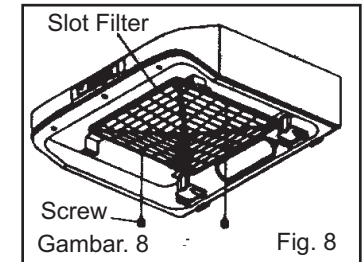
- (2) Remove the rectifier panel

- By loosening the mounting screws from the rectifier panel dislocated the temporary fixing holes of the rectifier panel from the mounting screw, then move the rectifier panel forward in order to remove it from the catches of the body. (Fig. 7)



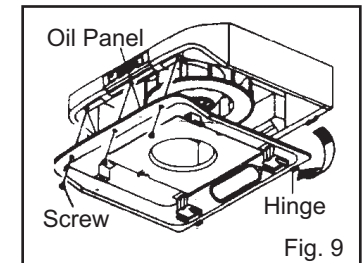
- (3) Remove the slot filter

- Hold the slot filter and remove the screws (Fig. 8)



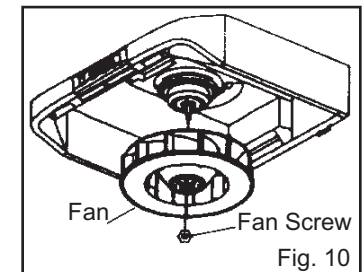
- (4) Remove the oil panel

- Hold the oil panel, remove the 3 screws (refer Fig.9) and bring the panel down slowly.



- (5) Remove the fan

- Hold the fan and turn the fan screw to the "loosen" direction. The fan screw will come off and the fan will be removed. (Fig. 10)



Cleaning

- (1) Washing the slot filter, fan and oil pack

- After immersing the slot filter, fan and oil pack in a tepid water with a neutral detergent dissolved for 30 to 40 minutes, wash it with a toothbrush or the like to remove grease and dirt. (Fig. 11)

