

TAUREAN DOOR SYSTEMS

Pr1me Series WINDLOCK ROLLER DOOR

STEEL TRACK NON-CYCLONIC



Installation Instruction Supplement

Customer Service (03) 9721 – 8366 www.taureands.com.au

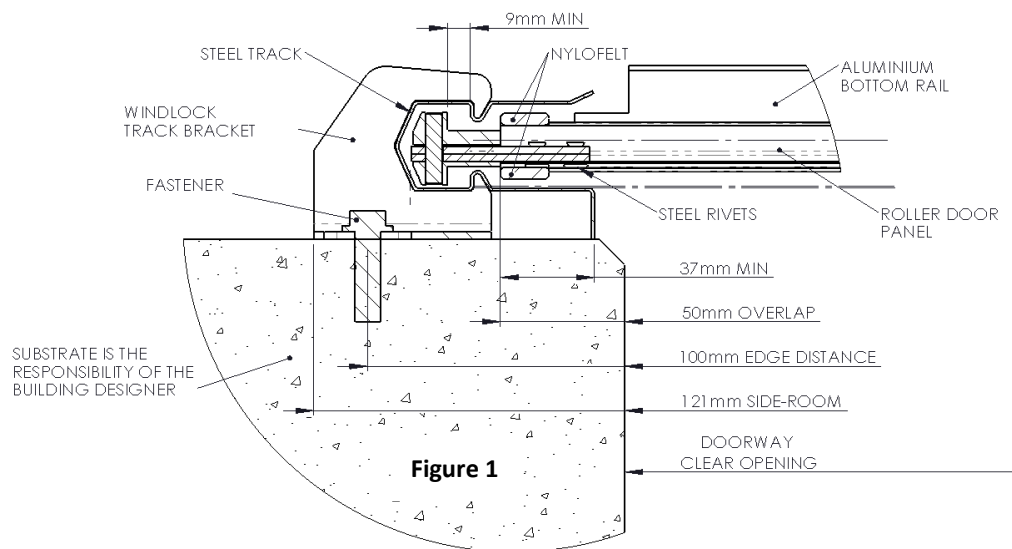
Extreme safety warning: Safe practices must be observed when working at heights, lifting roller doors and adjusting roller door spring tension.

The Taurean® WindLock roller door is rated to meet the wind pressure ratings to AS/NZS 4505:2012 *Garage doors and other large access doors* up to N3. Information on the pressure rating and maximum forces transmitted by the door to the supporting structure can be found at <http://www.taureands.com.au>

Instructions:

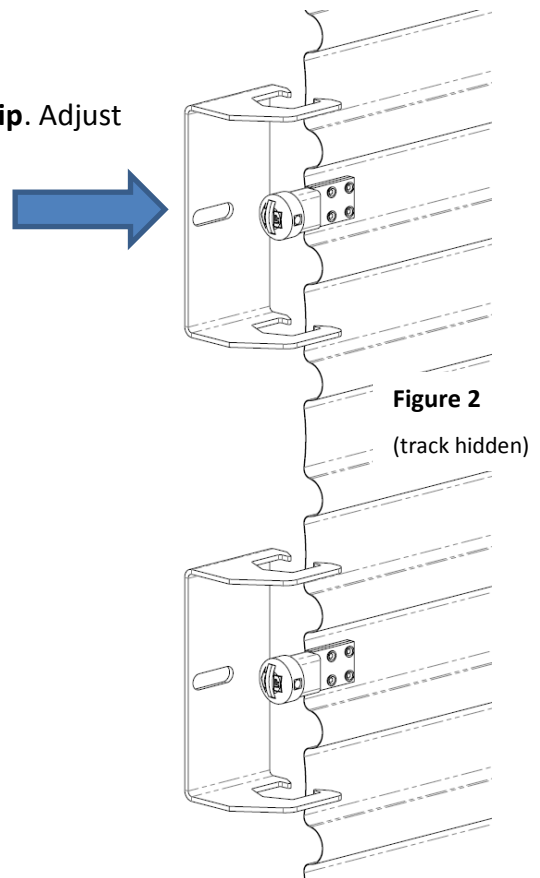
1. **Follow door installation instructions** for Series 'A', 'AA', or 'B'. Ensure to leave at least 35mm additional clearance for windclips when mounting door brackets. Replace track installations instructions with the following steps.

DOOR WIDTH / DOORWAY CLEAR OPENING + 100mm



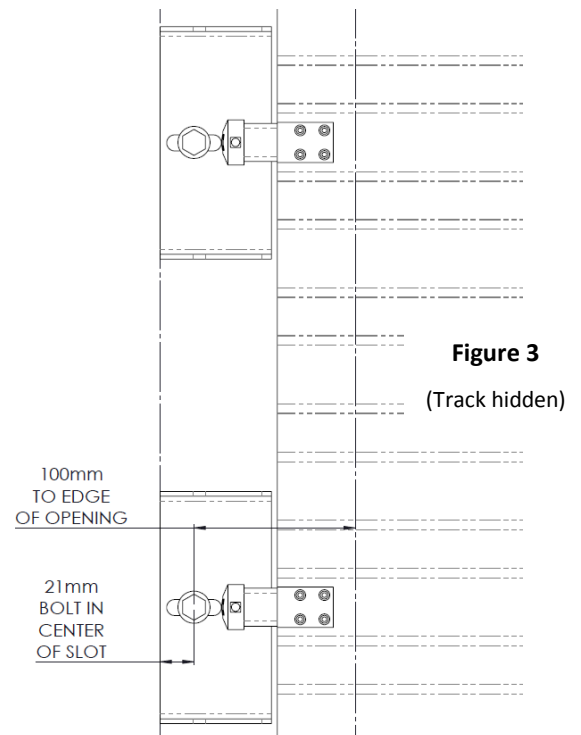
2. **Slide brackets onto track** from the bottom. One bracket per wind clip (See Table 1)
3. **Position tracks in place** (as per Figure 1) and fasten at top and bottom. When positioning the track, push inwards so that it touches the windclips, mark the location on the wall top and bottom and move the track back 1-2mm. The plated windclip should be covered by the track when viewed from straight on.

4. Position **one track bracket in line with each windclip**. Adjust bracket position to suit the installation after fixing track to wall. (See Figure 2)



5. Brackets must be installed with a **fastener in the centre of the slot** (Figure 3) of every bracket to allow the track to potentially travel in the worst case scenario of an extreme wind event.

Table 1) TOTAL BRACKET QUANTITY PER DOOR N3 RATING			
DOOR SIZE	0 – 3650W	3651 – 5015W	5016 – 5100W
2200H	10	16	20
2500H	10	18	24
2800H	12	22	28
3100H	14	24	30
3500H	16	28	34
3900H	16	30	36
4300H	18	34	42
4600H	20	36	44
5100H	22	40	48



Refer to Taurean website www.taureands.com.au for Product Warranty and Stramit Corporation Pty Ltd Roller Door Warranty and Exclusion of Liability Statement.