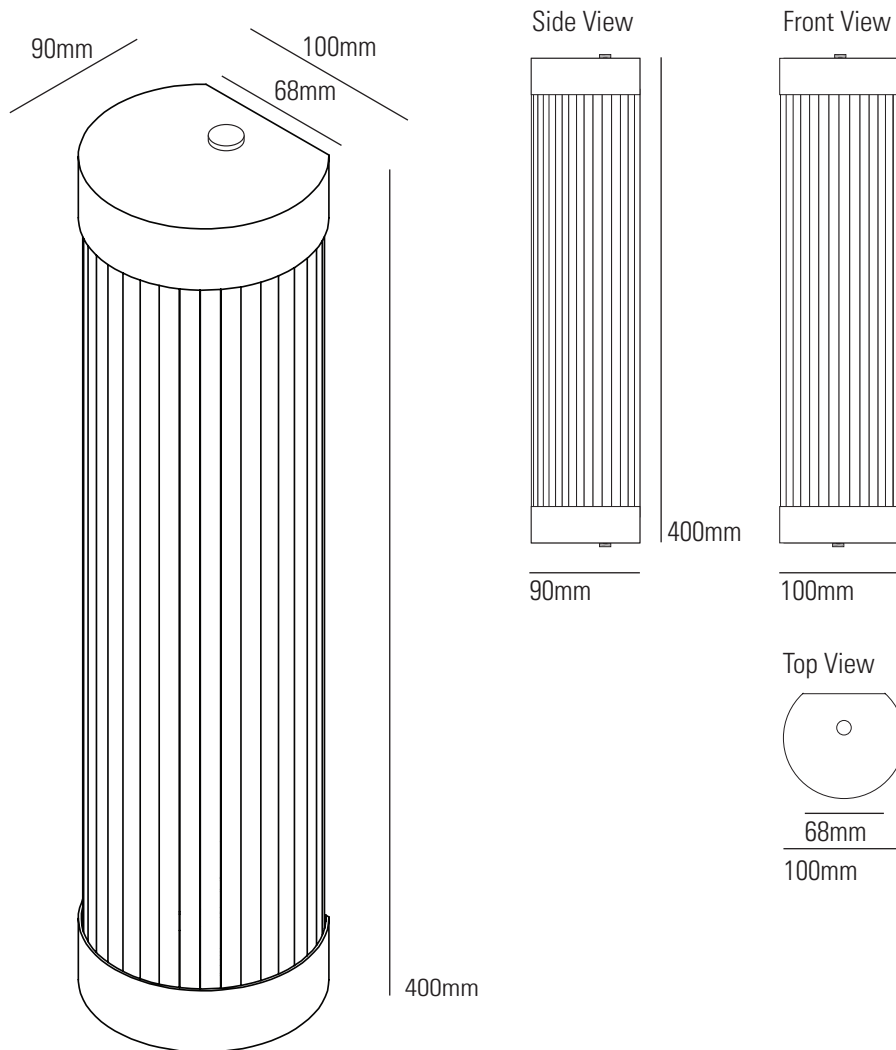


# 7211/40 Pillar LED wall light, 40/10cm

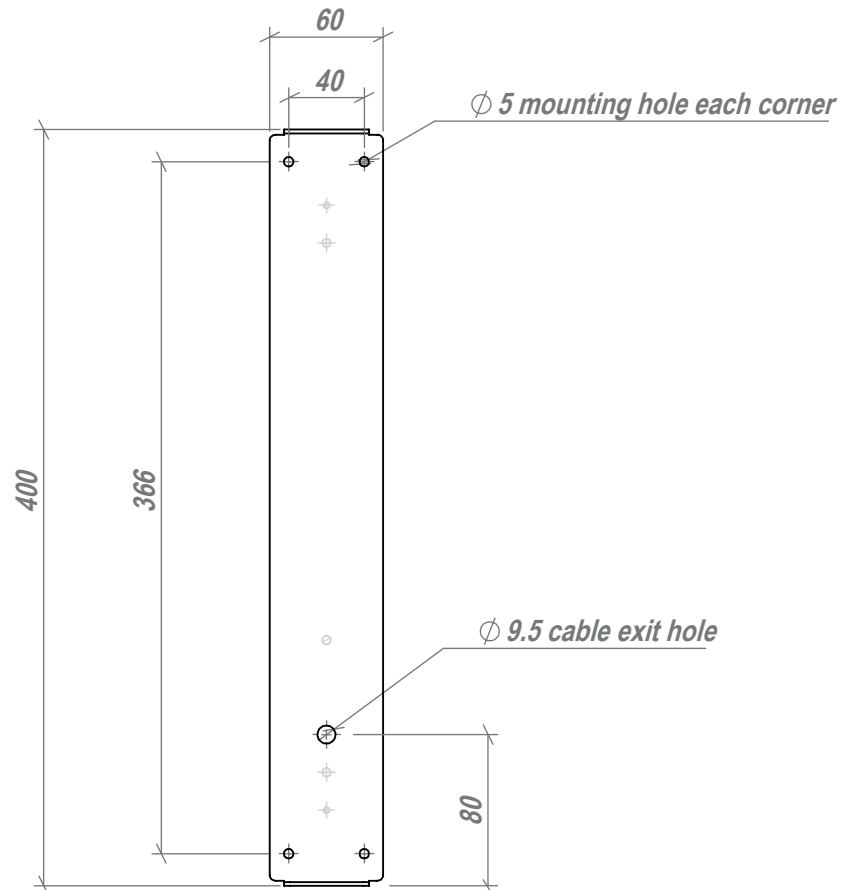


## Specifications

PRODUCT CODE:	DP7211/40	IP RATING:	IP44
MAX WATTAGE:	4.5W	MATERIAL(S):	BRASS, GLASS
VOLTAGE:	230V (AC)	AVAILABLE FINISH:	WEATHERED OR POLISHED BRASS/CHROME PLATED
BULB TYPE:	LED TUBE (SUPPLIED)		

Supplied with integral LED and integral driver  
Fitting is dimmable and is supplied with a TRIAC dimming leading edge driver \*\*  
Warm white tone LED (2700K)  
*\*Assuming minimum cable gauge is 1.5mm (16AWG)*  
*\*\*Dimming performance may vary between manufacturers, check minimum load and compatibility against dimmer specification.*

# 7211/40 BACKPLATE: Pillar LED wall light, 40/10cm



Backplates can be rotated 180 degrees- to allow cable exit to be positioned at top if required.

Stated dimensions are for reference purposes only. Due to manufacturing tolerances, the actual dimensions of each product may differ to those stated.