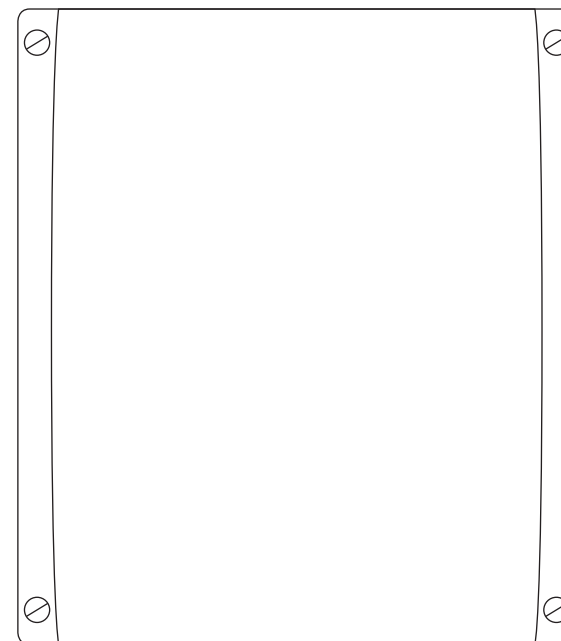


These instructions are provided for your safety in order to prevent the risk of Fire, Electric shock or Injury. It is vitally important that they are read in their entirety before installing your fitting. Please retain for future reference.

1. If you are in any doubt consult a qualified electrician as to the installation of the fitting. Install in accordance with current IEE wiring regulations. It is recommended that this fitting is installed by a qualified electrician.
2. Ensure that the electrical supply is OFF. Disconnect the electrical supply at the fuse-board.
3. If removing an existing fitting first, note all wiring connections: record which of the house wires is connected to the live, neutral and earth terminals.
4. Carefully identify where the supply cable is (and check there are no other cables in the area) to avoid damage to concealed wiring during installation.
5. Position the light where desired ensuring that there is suitable support adjacent to where you will connect to the house supply and mark position of fixing holes, before drilling appropriate holes as below.
6.
 - a. Brick or masonry: Drill holes into which the wall plugs tightly fit, then insert wall plugs.
 - b. Wood: No hole necessary (unless small pilot hole required), screws can be screwed directly into the timber.
 - c. Plaster/Cavity: Special cavity wall fittings are required, rather than provided fixings. These are widely available from good hardware or DIY store and should come with their own instructions that must be followed. It may be easier to relocate the fitting so that you screw directly into a timber joist or beam.
7. Support the fitting so that no strain is applied to the wiring when making the electrical connections. If necessary get a colleague to help.
8. Electrical connection: this light fitting is low voltage. The fitting must be connected to the mains through a suitable 12V driver.
9. Double check all the connections are secure and that no loose strands of wire are left out of the connector. Use a good quality electrical insulation tape to cover the connector blocks and at least 25mm of the cables going in to either end of the connectors.
10. Check that no wires are trapped behind or within the fitting and complete the installation, referring to the installation diagram inside.
11. Fit the correct type and wattage of lamp (or less).
12. Switch on at the fuse-board. Your light fitting is now ready for use.



Other Important Information

Switch off at mains before changing lamp(s). Never fit a lamp of greater wattage than recommended. Ensure children do not play with the light fitting. Dispose of old lamps carefully. Never leave a fitting without a lamp in position (or someone can accidentally touch the contacts). Adjust fitting only when power to the fitting is off and has been left to cool. If the external flexible cable or cord of this luminaire is damaged, it shall be exclusively replaced by the manufacturer or his service agent or a similar qualified person in order to avoid a hazard. For use in dry, indoor environment only. Ensure the fitting does not come into contact with any liquids.

Cleaning and Maintenance

Metal finishes should only be cleaned with a soft, dry cloth. Do not use polishes or abrasives. Switch off power to the fitting before cleaning. Spare parts are available for this product, please contact us on the details below.

Established in 1990, Original BTC manufactures relaxed, familiar lighting for traditional and contemporary homes. All products are hand-assembled in Oxford from high quality components, produced in the UK.

ORIGINALBTC.COM
+44 (0)1993 882 251
UNIT 21 / 22 AVENUE ONE, STATION LANE, WITNEY, OX28 4XZ, ENGLAND



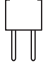
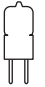
ORIGINAL BTC
BRITISH LIGHTING MANUFACTURERS
LONDON - PARIS



Yacht Ventilator Cover 2464

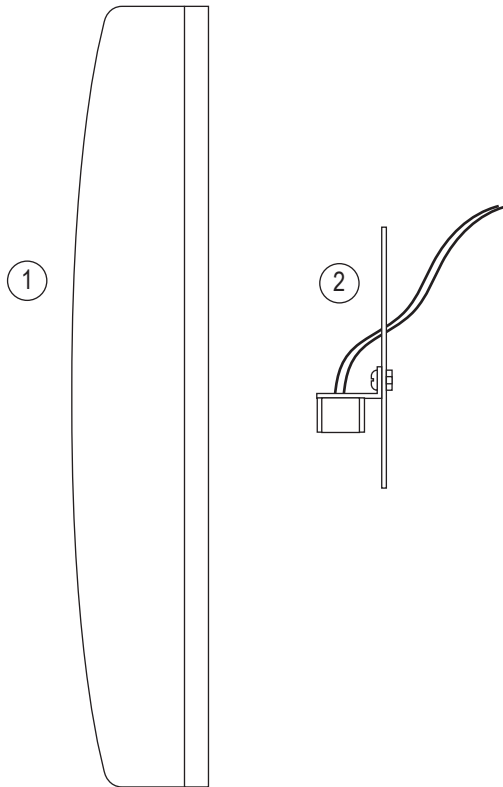
| 12V AC 50Hz | IP20 |

With roots dating back to the shipyards of nineteenth century London, Davey Lighting combines industrial design, traditional craftsmanship and the finest raw materials. Authentic and unique, lights are manufactured in England with the same attention to detail required for their original industrial purpose. Simplicity of design and choice of finish, including weathered brass and copper, polished aluminium and galvanised cast iron, make Davey lights equally suited to traditional or contemporary schemes.

LAMP GUIDANCE			
BASE	SHAPE	TYPE*	WATTAGE**
 G4	 CAPSULE	HALOGEN ✓ LED ✓	10W MAX 3W

* Warm white (2700k) low energy lamps recommended.
** Wattage value provided as a guide to suitable lamps. Lower wattage than stated may be used.

Contents

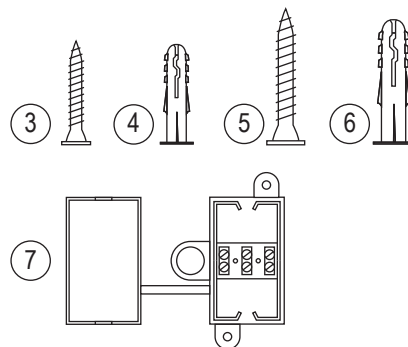


Contents

- 1 - 2464 Casting
- 2 - Fixing plate/lampholder
- 3 - 4 x Small cover fixing screws
- 4 - 4 x Small yellow rawl plugs
- 5 - 2 x Large fixing screws
- 6 - 2 x Large brown rawl plugs
- 7 - Terminal block

Required for Installation

- Screwdriver, pozidriv
- Small screwdriver, flat-head
- Drill (if holes are required)



Installation and Assembly Instructions

STEP 1

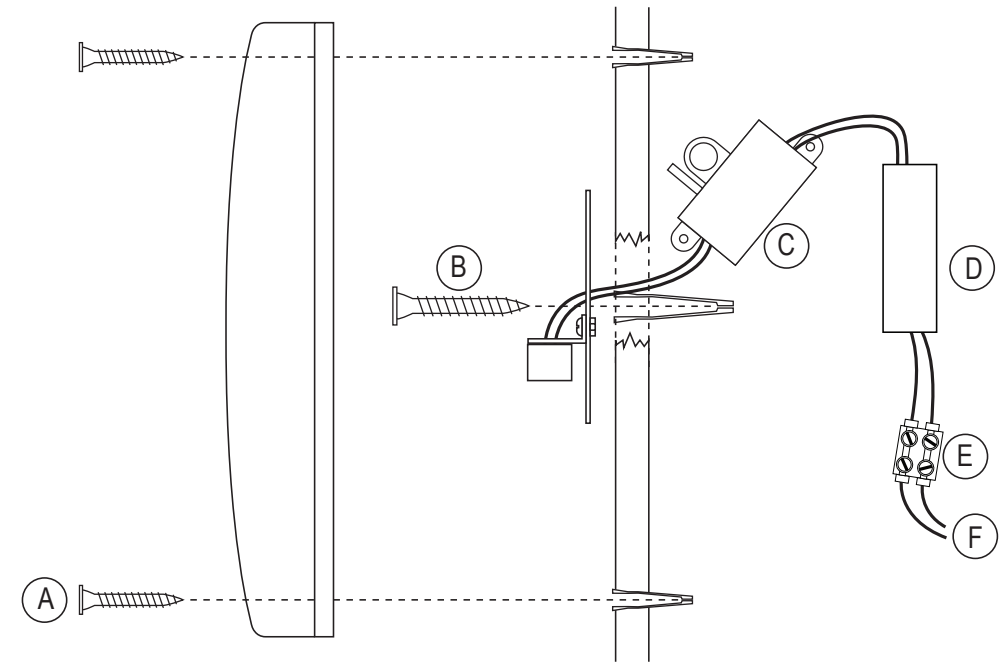
Make electrical connection to the supply, following point 8 overleaf, before fixing the lampholder/fixing plate to the mounting surface. Alternatively, this can be fixed to a standard junction or besa box.

The lampholder must be wired into a remote transformer that is not supplied. The driver must be a 12V low voltage halogen transformer, min 10VA, installed a maximum of 3m away in a suitable enclosure.

STEP2

When electrical connection has been made and lampholder/fixing plate installed, position the cover over the fitting in the desired position, ensuring that the lamp faces the direction of the cover opening.

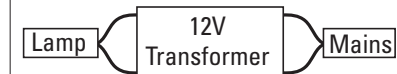
Installation Diagram



Key

- A Small fixing screw (cover)
- B Large fixing screw (lampholder)
- C Terminal block (to transformer)
- D 12V Transformer (not supplied)
- E Terminal block (mains - not supplied)
- F Main supply (not supplied)

If installing on a mains voltage circuit, a suitable low voltage transformer must be used. The instructions supplied with the transformer must be followed.



PLEASE READ THE INSTRUCTIONS ON THE REVERSE BEFORE YOU BEGIN INSTALLING YOUR LIGHT