

Germaine Wall Light.

A wall light in noble materials.

Materials.
Solid cast & turned brass or aluminium.

Lamp.
G4 LED 2.4W
110 Lumens
12V AC
2400K

Weight
.38 KG

Finishes.
Weathered brass.
Polished Aluminium.
Sandblasted aluminium.

Environment.
Outdoor or Indoor
IP42.

Class.
Class 1

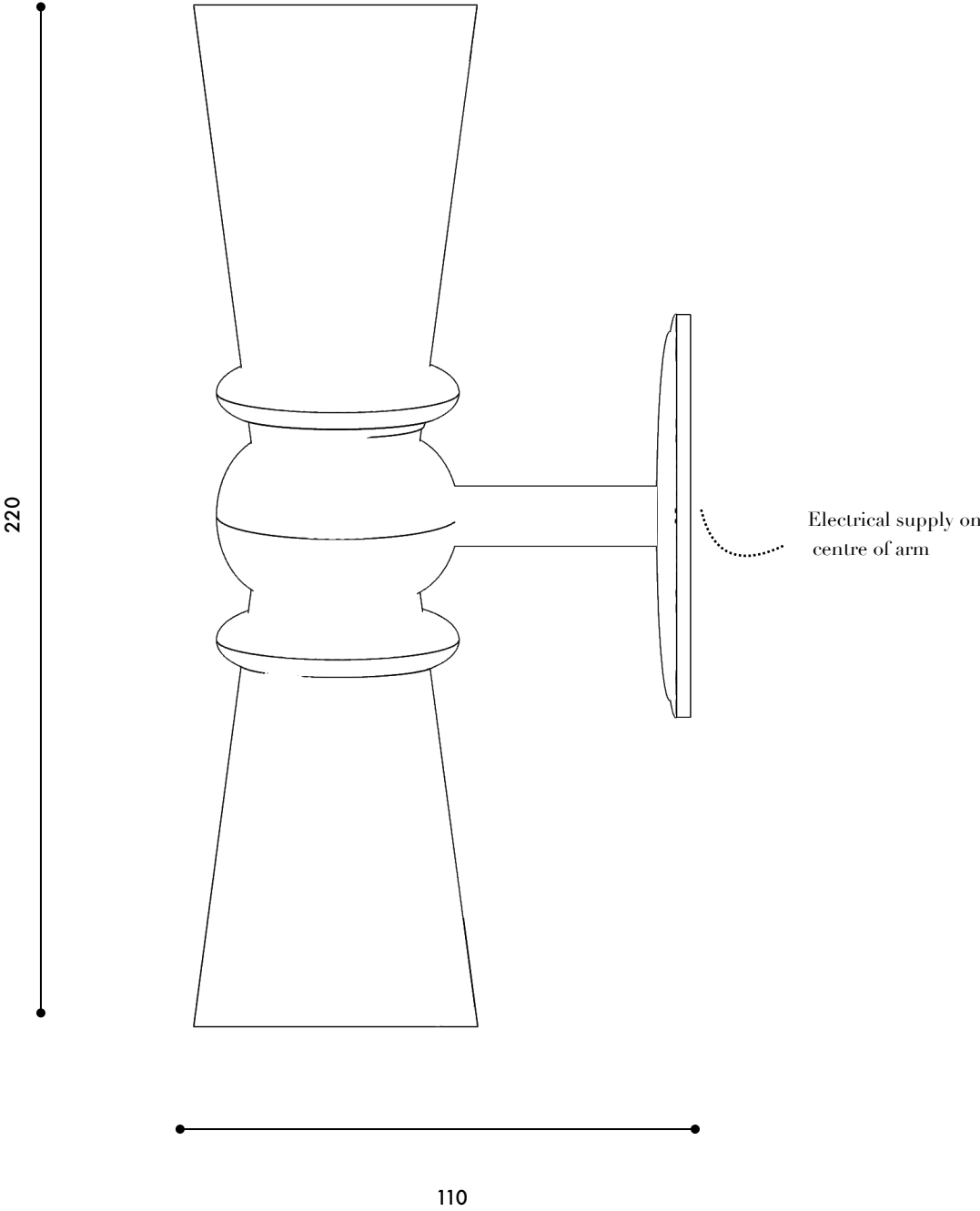
Contact.
dunlin.com.au
orders@dunlin.com.au
[@dunlinhome](https://www.instagram.com/dunlinhome)

Electrical.

Requires a electronic transformer for **12V AC for 5W per fitting @ 6 A.**

Germaine Wall Light.

Dimensions.



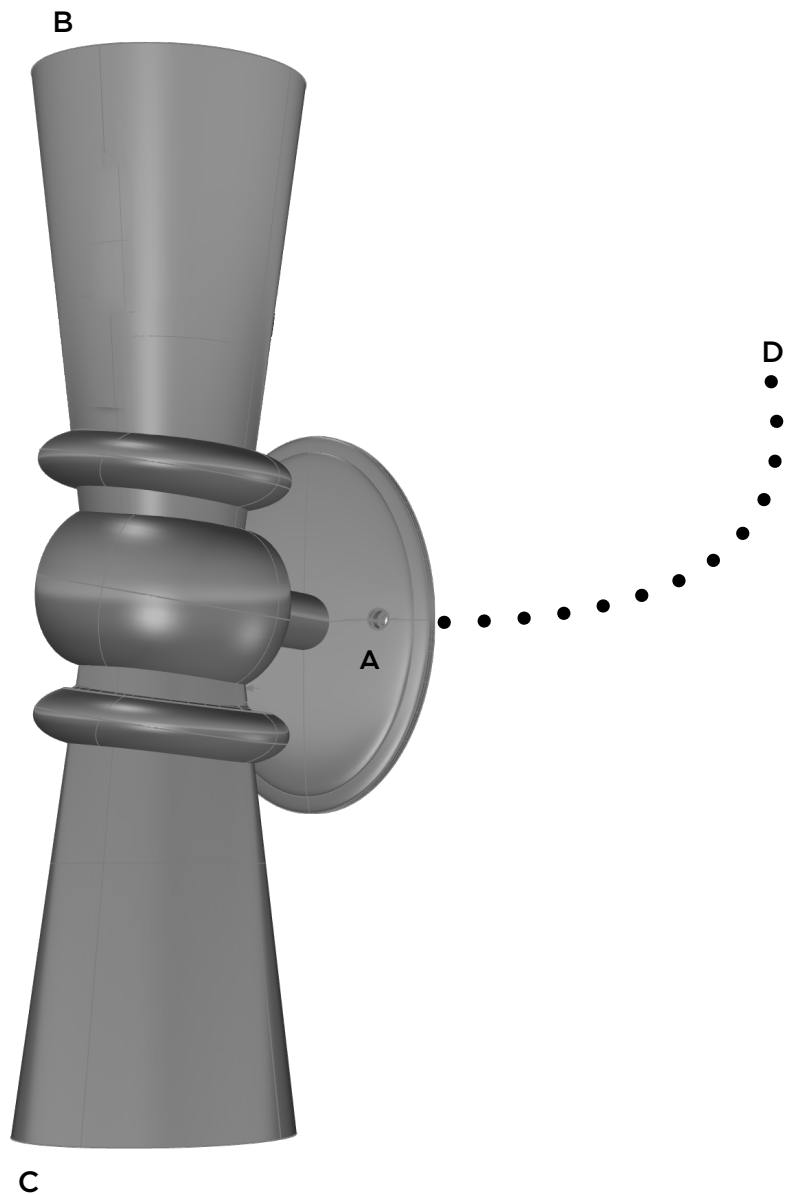
Callot Wall Light.

A 8G x 50MM screws Qty 2

B Light Body.

C G4 LED internal. Optic. Do not open.

D Remote transformer, not provided.



Callot Wall Light.

Fixing Instructions.

1. Fitting requires installation by a qualified electrician.
2. Ensure the electrical supply is OFF. Disconnect the electrical supply at the mains board.
3. Position the light as required and mark the wall surface using the TWO mounting holes in the wall plate as a template.
4. Drill pilot holes, Insert rawl plugs (not provided) for masonry mounting. Mounting directly into timber does not require plugs but pilot holes are recommended.
5. Using WAGO connectors or similar (not provided) make the electrical connections within the wall cavity to the electrical transformer for 12V AC supply.
6. Use the provided screws to mount the fitting with the supplied screws.
7. Support the fitting during installation until all TWO screws are secured and set in place.
8. Switch on at the mains board. The fitting is now ready for use.

Care Instructions.

1. Brass is a noble material and will naturally patina. This is intentional.
2. Clean the light with a dry, soft cloth. Do not use polishes or abrasives.