

# SPICER®



## K350-2-DAG

December 2017

Supersedes K350-1-DSSP May 2008 and  
K350-1-DSSP-SUP December 2011

### Universal Joint Kits and Center Bearings for Passenger Cars and Trucks

**Bearing Cups**  
HEAT-TREATED FOR STRENGTH. PRECISION-GROUND AND CASE-HARDED.

**Journal Cross**  
REINFORCED TO RESIST BENT WEAR AND OVERHEATING.

**Thrust Washers**  
ELIMINATE METAL-TO-METAL CONTACT. PREVENT WEAR AND LOWER THE OVERALL OPERATING TEMPERATURE.

**Multi-Lip Seal**  
KEEP GREASE IN AND CONTAMINANTS OUT, AND GET MAXIMUM RETENTION IN A WIDER RANGE OF ENVIRONMENTS. THE MULTI-LIP SEAL ON THE SPL U-JOINT INCLUDES A CARTER SPRING, SEAL GUARD AND A NEEDLE SPACER FOR OPTIMAL PROTECTION.

**Lubrication Options**  
GET LONGER LIFE AND LOWER MAINTENANCE COSTS FOR YOUR UNIVERSAL JOINT WITH TWO LUBRICATION OPTIONS. CHOOSE FROM A GREASEABLE U-JOINT OR A NON-GREASEABLE U-JOINT, WHICH IS PRE-LUBRICATED FOR THE LIFE OF THE PART.

**FATIGUE TESTING: UP TO 10X BETTER\***  
\*Average Cycles to Failure - Based on Samples Tested

Our most comprehensive listing of Spicer universal joint kits and center bearings for passenger cars and trucks.

Product information: [SpicerParts.com](http://SpicerParts.com)

E-cat/parts locator: [DanaAftermarket.com](http://DanaAftermarket.com)



Product pictured is intended to be a representation of product category.

# SPICER®



**Spicer Life® Series (SPL®) U-Joints:**  
Premium Performance for Your Vehicle.



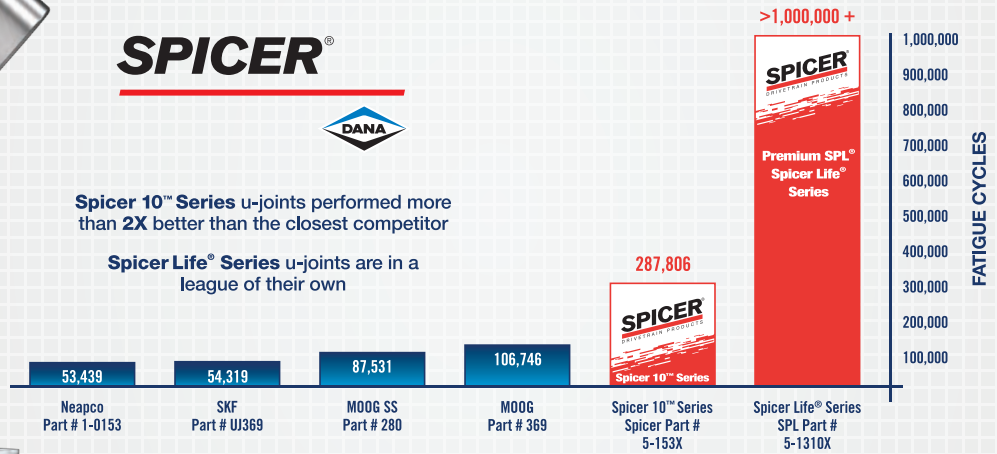
## FATIGUE TESTING: 1310 SERIES U-JOINTS

### SPICER®



Spicer 10™ Series u-joints performed more than **2X** better than the closest competitor

Spicer Life® Series u-joints are in a league of their own



U-JOINT KIT TEST RESULTS • AVERAGE CYCLES TO FAILURE – BASED ON SAMPLES TESTED

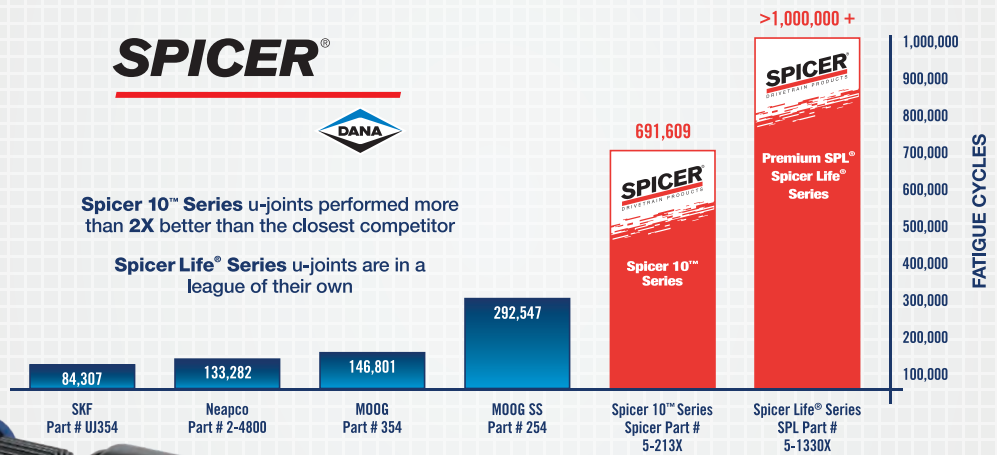
## FATIGUE TESTING: 1330 SERIES U-JOINTS

### SPICER®



Spicer 10™ Series u-joints performed more than **2X** better than the closest competitor

Spicer Life® Series u-joints are in a league of their own



U-JOINT KIT TEST RESULTS • AVERAGE CYCLES TO FAILURE – BASED ON SAMPLES TESTED



**Spicer 10™ Series U-Joints:**  
Superior Quality for Longer Life.

# Tested and Proven. Spicer® U-Joints Outperform the Competition!

You can trust Spicer Life® Series (SPL®) and Spicer 10™ Series u-joints to provide optimal performance. Test results below show how Spicer u-joints outperform the competition.

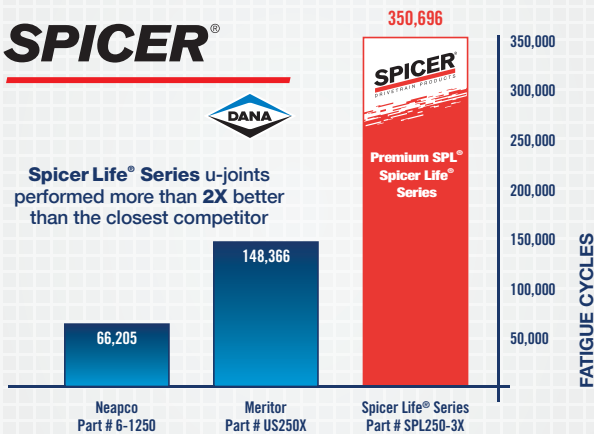
**Demand the best.... Demand genuine Spicer® u-joints!**

## FATIGUE TESTING: SPL250 SERIES U-JOINTS

### SPICER®



Spicer Life® Series u-joints performed more than **2X** better than the closest competitor



U-JOINT KIT TEST RESULTS • AVERAGE CYCLES TO FAILURE – BASED ON SAMPLES TESTED



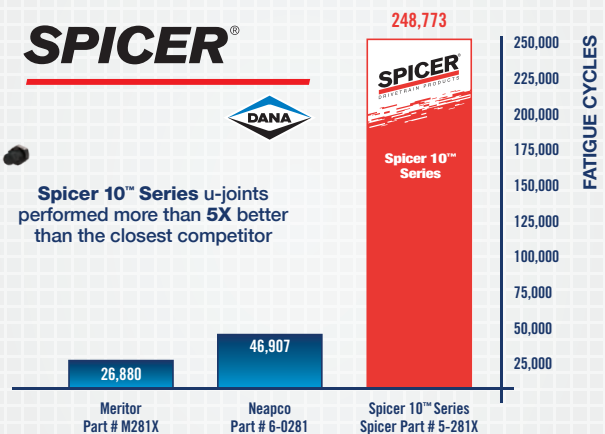
**Spicer Life® Series (SPL®) U-Joints:**  
With premium Viton®\* multi-lip sealing package for ultimate protection from contaminants and extreme temperatures.

## FATIGUE TESTING: 1810 SERIES U-JOINTS

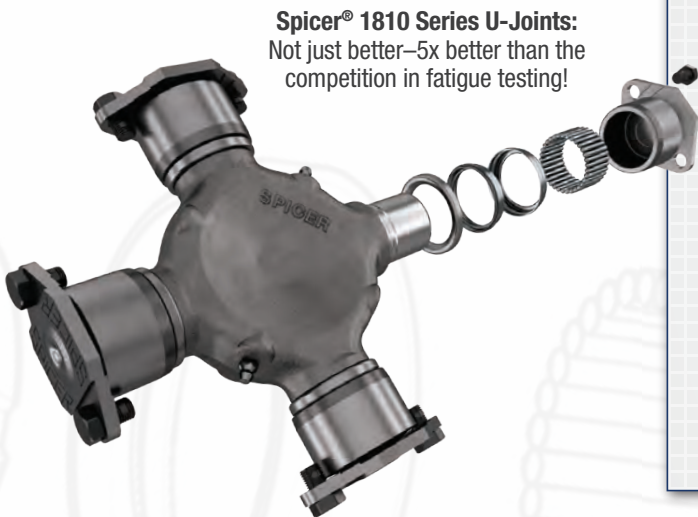
### SPICER®



Spicer 10™ Series u-joints performed more than **5X** better than the closest competitor



U-JOINT KIT TEST RESULTS • AVERAGE CYCLES TO FAILURE – BASED ON SAMPLES TESTED



**Spicer® 1810 Series U-Joints:**  
Not just better—5x better than the competition in fatigue testing!

# Tested. Proven. Trusted. Driven.

For more information on Spicer products, visit [www.SpicerParts.com](http://www.SpicerParts.com). For our e-catalog and parts locator, visit [www.DanaAftermarket.com](http://www.DanaAftermarket.com).



# COMPREHENSIVE



# CONVENIENT



# INTUITIVE



# FAST



# EASY.



[DanaAftermarket.com](http://DanaAftermarket.com)

**SPICER<sup>®</sup>**



**It's never been easier to do business with Dana.**

You've spoken. We've listened. Easily access the genuine Spicer parts information you need to succeed. Search by part number, product type, product line, keywords, and year-make-model. Place and track your orders. It's all here to help streamline your operations and grow your business.

Experience the new one-stop solution from Spicer today!

Safety Messages and General Information .....	1	Eagle	
Yoke and Universal Joint Measuring .....	2	2000 GTX.....	17
Spicer Life Series Performance Universal Joint Kits.....	4	Summit, Talon .....	18
<b>Passenger Applications</b>		Fiat	
<b>Alfa Romeo</b>		1100, 124, 131, 1500 .....	18
1900, 1900C, 2000, 2600, Berlina, Duetto 1600.....	8	<b>Ford</b>	
Giulia, Giulia Spirit, Giulietta, GT Veloce, GTA, GTC .....	8	Anglia, Consul, Cortina .....	18
GTV, GTZ, Montreal, Spider, Sport, Sprint, TZ, TZ2 .....	8	Country Sedan, Country Squire.....	18
<b>American Motors</b>		Crestline, Crown Victoria, Custom.....	19
Ambassador, American, Classic, Concord .....	8	Custom 300, Custom 500.....	19
Eagle, Marlin, Pacer, Rambler, Spirit .....	9	Customline, Deluxe, Elite, Fairlane .....	20
<b>Aston Martin</b>		Fairmont, Falcon, Galaxie .....	21
DB5, DB6 .....	9	Galaxie 500, Granada, LTD .....	22
<b>Austin</b>		LTD Crown Victoria, LTD II, Mainline.....	23
America, Marina.....	9	Maverick, Mustang.....	23
<b>Austin Healey</b>		Pinto, Thunderbird.....	25
Sprite .....	9	Torino, Zephyr, Zodiac .....	26
<b>Bentley</b>		<b>Hillman</b>	
Continental, S2 Series, S3 Series .....	10	Husky, Minx .....	26
<b>Buick</b>		<b>Hyundai</b>	
Apollo, Century, Commercial Chassis, Electra .....	10	Pony, Stellar .....	26
Estate Wagon, LeSabre, Regal, Riviera.....	10	<b>Jaguar</b>	
Roadmaster, Skyhawk, Skylark, Special.....	10	2.4 .....	26
Wildcat .....	11	240, 3.4, 3.8, 340, 420, C-Type.....	27
<b>Cadillac</b>		D-Type, Mark IX, Mark VII, Mark VIII, Mark X .....	28
Brougham, Commercial Chassis, DeVille .....	11	V12, Vanden Plas, XJ, XJ12, XJ6, XJS.....	28
Eldorado, Fleetwood, Series 61 .....	12	XK120, XK140, XK150, XKE, XKSS .....	29
Series 62, Series 75 Fleetwood .....	12	<b>Jensen</b>	
<b>Checker</b>		541, 541R, 541S, C-V8, Interceptor .....	29
Aerobus, Marathon, Taxicab .....	12	<b>Lagonda</b>	
<b>Chevrolet</b>		Rapide .....	29
Bel Air, Camaro, Caprice .....	13	<b>Lincoln</b>	
Chevelle, Chevette, Chevy II.....	14	Capri, Continental.....	29
Corvair, Corvette, Impala, Laguna .....	14	Cosmopolitan, Lincoln, Mark Series, Premier, Town Car .....	30
Malibu, Monte Carlo, Monza, Nova, Vega .....	15	Versailles .....	31
<b>Chrysler</b>		<b>Lotus</b>	
300, Conquest, Cordoba, Fifth Avenue, Imperial .....	15	Elan, Elite .....	31
LeBaron, New Yorker, Newport, Saratoga, Windsor.....	16	<b>Maserati</b>	
<b>Daimler</b>		3500GT, 3500GTI, A6G/2000, Ghibli, Mexico, Sebring .....	31
250, DK400, SP250.....	16	<b>Mazda</b>	
<b>Dodge</b>		1200, 616 .....	31
Aspen, Challenger, Charger, Colt.....	16	618, 626, 808, GLC, Mizer, R100, RX-2, RX-3, RX-7.....	32
Conquest, Coronet, Dart, Diplomat.....	17	<b>Mercury</b>	
Magnum, Monaco, Royal Monaco, Viper .....	17	Bobcat, Capri, Comet, Cougar.....	32
		Custom, Grand Marquis.....	33

Mercury (continued)	
Marauder, Marquis, Meteor .....	34
Monarch, Montego, Monterey .....	34
Zephyr .....	35
MG	
1100, 1300, Magnette, MGA, MGB, MGC .....	35
Midget, TC, TD, TDC, TF, YA, YB, YT, ZA, ZB .....	35
Mitsubishi	
Starion .....	35
Morris	
Minor, Oxford .....	36
Nissan	
1000, 1200, 1300, 1600, 2000, 240Z, 260Z, 280Z .....	36
411, 510, 610, 710, 810, B110, Maxima .....	36
Oldsmobile	
88, 98 .....	36
Custom Cruiser, Cutlass Series .....	37
Delta 88 .....	37
Deluxe 88, F85, Fiesta, Jetfire, Omega .....	38
Series 98, Starfire, Vista Cruiser .....	38
Opel	
Caravan, Opel .....	39
Plymouth	
Arrow, Barracuda, Belvedere .....	39
Conquest, Cricket, Duster, Fury .....	39
Fury I, Fury II, Fury III, Gran Fury, GTX, Roadrunner .....	40
Sapporo, Satellite, Suburban, Valiant, Volare .....	40
Pontiac	
Acadian, Astre, Bonneville, Catalina .....	40
Chieftain, Executive, Firebird, Grand Am, Grand LeMans .....	41
Grand Prix, Grandville, GTO, LeMans, Safari, Star Chief .....	41
Streamliner, Sunbird, Tempest, Torpedo .....	42
Rolls Royce	
Camargue, Corniche, Phantom .....	42
Silver Cloud, Silver Dawn, Silver Shadow .....	42
Silver Shadow II, Silver Wraith, Silver Wraith II .....	42
Rover	
2000, 3500S .....	42
Simca	
1000, 1000S, 5, Ariane, Aronde, Vedette .....	42
SRT	
Viper .....	42
Subaru	
DL, GL, Legacy .....	43
Sunbeam	
Alpine, Imp, Rapier, Tiger .....	43
Toyota	
Carina, Celica, Corolla, Corona, Cressida .....	43
Crown, Mark II, Starlet, Supra .....	43
Triumph	
2000, GT6, Herald, Spitfire, Stag, TR2, TR250 .....	44
TR3, TR3A, TR3B, TR4, TR4A, TR6, TR7, TR8 .....	44
Vauxhall	
Fourteen, Ten, Twelve, Velox, Victor, Wyvern .....	44
Volvo	
122, 142, 144, 145, 164, 1800 .....	44
240, 242, 245, 262, 264 .....	44
265, 740, 745, 760, 780, 940, 960, DL .....	45
<b>RWD Applications</b>	
Buick	
Rainier .....	46
Cadillac	
Escalade, Escalade ESV .....	46
Chevrolet	
3C, 3D, 3E, 3F .....	46
3G, Astro, Avalanche, Avalanche 1500 .....	47
Avalanche 2500, B7, Blazer, C10 Series .....	47
C1500 Series .....	50
C20 Series .....	52
C2500 Series, C30 Series .....	54
C3500, C60 Kodiak, C6500 Kodiak, C70 Kodiak .....	55
C7500 Kodiak, Colorado .....	55
El Camino, Express 1500, Express 2500 .....	56
Express 3500 .....	58
Express 4500, G10 .....	62
G10 Van, G20 .....	63
G20 Van, G30 .....	64
G30 Van, LLV, LUV, Luv Pickup, P10 Series .....	65
P20 Series .....	66
P30 Series .....	67
R10 Series, R1500 Series, R20 Series, R2500 Series .....	70
R30, R3500, S10 Series .....	70
Silverado 1500 Series .....	71
Silverado 2500 Series .....	72
Silverado 3500 Series .....	74
SSR, Suburban 1500, Suburban 2500 .....	75
T6500, T7500, Tahoe, Tracker, Trailblazer Series .....	75

Chrysler	
Aspen .....	76
Dodge	
A100 Series, B100 Series, B150, B1500, B200 Series ....	76
B250, B2500, B300 Series .....	76
B350, B3500, CB300, D100 Series, D150, D200 Series.....	77
D250, D300 Series, D350, D50, Dakota.....	78
Durango, MB300, P200 Series, Ram 1500 Series .....	79
Ram 2500 Series .....	80
Ram 3500 Series .....	82
Ram 4500, 50, 5500, Ramcharger, RD200 .....	84
Ford	
Aerostar, Bronco, Courier, E-100 Series .....	85
E-150 Series .....	86
E-200 Series, E-250 Series .....	87
E-300 Series .....	89
E-350 Series .....	90
E-450 Series .....	94
E-550 Series .....	94
Econoline Super Duty, Escape, Excursion, Expedition .....	95
Explorer Series, F Super Duty, F-100 .....	96
F-150.....	97
F-150 Heritage.....	99
F-250.....	100
F-250 Super Duty .....	107
F-350.....	107
F-350 Super Duty .....	111
F-450 Super Duty, F-500, F53, F-550 Super Duty.....	112
F59, F700, M-400, M-450, P-100, P-400, P-500.....	112
Ranchero, Ranger .....	112
Transit-150, Transit-250, Transit-350 Series.....	113
Geo	
Tracker .....	113
GMC	
1000 Series, 100-24, 150, 1500 Series.....	114
150-22, 150-24, B7, C15 Series .....	114
C15/C1500 Series.....	115
C1500.....	115
C1500 Suburban.....	118
C25 Series, C2500 Series.....	119
C35.....	120
C35/C3500 Pickup, C3500 .....	121
C4500 Topkick, C5500 Topkick, C6000 Topkick.....	122
C6500 Topkick, C7000 Topkick, Caballero, Canyon.....	122
Envoy Series .....	123
GMC (continued)	
G15, G15/1500 Van, G1500, G25, G2500.....	124
G35.....	125
G35/G3500 Van, G3500, Jimmy, P1000, P15 .....	126
P15/P1500 Van, P1500, P25, P25/P2500 Van, P2500 ...	127
P35, P35/P3500 Van, P3500 .....	128
R1500 Series, R2500 Series, R3500.....	129
S15 Series, Safari .....	129
Savana 1500, Savana 2500 .....	130
Savana 3500.....	132
Savana 4500.....	136
Sierra 1500 Series .....	136
Sierra 2500 Series .....	138
Sierra 3500 Series .....	140
Sonoma, Sprint, T6500, T7500, Yukon Series.....	142
Honda	
Passport.....	143
Infiniti	
QX4, QX56 .....	143
International	
1000A, 1000B, 1000C, 1000D, 1200A, 1200B.....	143
1200C, 1200D, 1210, 900A, M1200, M1400 .....	144
Scout, Scout II.....	144
Isuzu	
Amigo, Ascender, Axiom, Hombre, i-280, i-290, Pickup....	144
Rodeo Series, Trooper .....	144
Jeep	
Cherokee, Comanche, Commando, Gladiator .....	145
Grand Cherokee .....	145
Jeepster, Liberty, Wagoneer.....	146
Kia	
Sportage .....	146
Land Rover	
Freelander .....	146
Lincoln	
Aviator, Blackwood, Mark LT, Navigator.....	146
Mazda	
B1600, B1800, B2000, B2200, B2300, B2500.....	147
B2600, B3000, B4000, Navajo, Tribute .....	147
Mercury	
Mariner .....	147
Mountaineer.....	148
Mitsubishi	
Mighty Max, Montero Sport, Outlander .....	148
Raider, Van .....	148

Nissan		Chevrolet (continued)	
520 Pickup, 521 Pickup, 620, 620 Pickup .....	148	K2500 Series .....	167
Armada, D21, Frontier .....	148	K30, K3500 .....	168
NV1500, NV2500, NV3500 .....	149	K5 Blazer, LUV, S10, S10 Blazer .....	170
Pathfinder, Pathfinder Armada, Patrol .....	149	Silverado 1500 Series .....	170
Pickup, Titan, Titan XD .....	149	Silverado 2500 Series .....	172
Xterra .....	150	Silverado 3500 Series .....	174
Oldsmobile		Suburban 1500 Series, Suburban 2500 Series .....	176
Bravada .....	150	Suburban 3500 HD, Tahoe, Tracker, Trailblazer Series ...	176
Plymouth		V10 Series, V1500 Suburban .....	176
Arrow Pickup .....	150	V20 Series, V2500 Suburban, V30 .....	177
PB100, PB100 Van, PB150, PB200, PB250 .....	150	V3500 .....	178
PB300, PB300 Van, PB350, Trailduster .....	150	Chrysler	
Pontiac		Aspen .....	178
Torrent .....	150	Daihatsu	
Ram		Rocky .....	178
1500 .....	150	Dodge	
2500 .....	151	D50, Dakota .....	178
3500 .....	152	Durango, Power Ram 50, Raider, Ram 1500 .....	179
4500, 5500, Dakota .....	154	Ram 2500 .....	180
Saturn		Ram 3500 .....	183
Vue .....	154	Ram 4500, Ram 50, Ram 5500, Ramcharger .....	187
Subaru		W100 Series, W150 .....	188
Brat .....	154	W200 Series .....	189
Suzuki		W250 .....	190
Equator, Grand Vitara, Sidekick, Vitara, XL-7 .....	154	W300 Series .....	191
Toyota		W350, Wm Power Wagon .....	192
4Runner, FJ Cruiser, Pickup, Previa .....	155	Ford	
Sequoia, T100, Tacoma .....	155	Aerostar, Bronco .....	193
Tundra, Van .....	156	Bronco II, Excursion .....	194
<b>4WD Applications</b>		Expedition .....	195
Acura		Explorer Series, F-100 .....	196
SLX .....	158	F-150 .....	198
AM General		F-150 Heritage .....	200
Hummer .....	158	F-250 .....	201
Buick		F-250 Super Duty .....	207
Rainier .....	158	F-350 .....	209
Cadillac		F-350 Super Duty .....	213
Escalade Series .....	158	F-450 Super Duty .....	222
Chevrolet		F-550 Super Duty .....	223
Astro, Avalance Series .....	158	Ranger .....	224
Blazer .....	159	Geo	
Colorado, Equinox, Express 1500, K10 Series .....	160	Tracker .....	226
K1500 Series .....	162	GMC	
K20 Series .....	165	C4500, C5500 Topkick, Canyon, Envoy Series, Jimmy .....	226
		K15 Series .....	227



GMC (continued)		Lincoln	
K15/K1500 Pickup .....	228	Aviator, Mark LT .....	256
K1500 .....	228	Navigator .....	257
K1500 Suburban .....	230	Mazda	
K25 .....	231	B2300 .....	257
K25/K2500 Pickup .....	232	B2600, B3000, B4000, MPV, Navajo .....	258
K2500 .....	232	Mercedes Benz	
K2500 Suburban, K35, K3500 .....	233	ML320, ML350, ML430 .....	258
S15, S15 Jimmy, Safari .....	235	ML500, ML55 AMG .....	259
Savana 1500, Sierra 1500 Series .....	236	Mercury	
Sierra 2500 Series .....	237	Mountaineer .....	259
Sierra 3500 Series .....	240	Mitsubishi	
Sonoma, Syclone, Typhoon, V1500 Series .....	243	Mighty Max, Montero, Montero Sport, Raider .....	260
V2500 Series, V3500, Yukon, Yukon XL Series .....	244	Nissan	
Honda		720, Armada, D21, Frontier .....	260
Passport .....	245	Pathfinder, Pathfinder Armada, Pickup, Titan .....	261
Hummer		Titan XD, Xterra .....	262
H1, H2, H3 .....	245	Oldsmobile	
H3T .....	246	Bravada .....	262
Infiniti		Plymouth	
QX4, QX56 .....	246	Trailduster .....	262
International		Ram	
1000A, 1000B, 1000C, 1000D .....	246	1500, 2500 .....	263
1200A, 1200B, 1200C, 1200D .....	246	3500 .....	265
1210, 1300A, 1300B, 1300C, 1300D .....	247	4500 .....	268
900A, Scout, Scout II .....	247	5500 .....	269
Isuzu		Dakota .....	270
Amigo .....	247	Saab	
Ascender, Axiom, Hombre, I-350, I-370 .....	248	9-7x .....	270
Pickup, Rodeo, Rodeo Sport .....	248	Suzuki	
Trooper, VehiCROSS .....	249	Equator, Grand Vitara, Vitara .....	270
Jeep		Samurai, Sidekick, XL-7 .....	270
Cherokee .....	249	Toyota	
CJ Series, Comanche .....	250	4Runner, FJ Cruiser .....	270
Commando, Gladiator, Grand Cherokee .....	251	Land Cruiser, Pickup .....	271
Grand Wagoneer, J10, J20, J-2600 .....	252	Previa, Sequoia, T100, Tacoma, Tundra .....	272
J-2700, J-2800, J-3500, J-3600 .....	252	Constant Velocity Centering Yokes .....	276
J-3700, J-3800, Jeepster, Liberty .....	253	Constant Velocity Centering Repair Kits .....	278
Scrambler, TJ, Wagoneer .....	254	Center Bearings By Bearing ID .....	281
Wrangler .....	255	Center Bearing Detail .....	282
Kia		Driveshaft Lubrication Specifications .....	303
Sorento, Sportage .....	256	Common Universal Joint Kits By Series .....	310
Land Rover		U-Joint Kit Attaching Hardware & Torque Specs .....	311
Defender 110, Defender 90, Discovery .....	256	U-Joint Kit Method of Retention Hardware .....	313
Land Rover, Range Rover .....	256	Driveline Conversion Kits .....	314
Lexus		U-Joint Kit Styles .....	315
GX460, GX470, LX450, LX470, LX570 .....	256	Supercession/Obsolescence List .....	340



## GENERAL SAFETY INFORMATION

To prevent injury to yourself and/or damage to the equipment:

- Read carefully all owners manuals, service manuals, and or other instructions.
- Always follow proper procedures and use proper tools and safety equipment.
- Be sure to receive proper training.
- Never work alone while under a vehicle or while repairing or maintaining equipment.
- Always use proper components in applications for which they are approved.
- Be sure to assemble components properly.
- Never use worn-out or damaged components.
- Always block any raised or moving device that may injure a person working on or under a vehicle.
- Never operate the controls of the power take-off or other driven equipment from any position that could result in getting caught in the moving machinery.



**WARNING**

### Rotating Auxiliary Driveshafts



- Rotating auxiliary driveshafts are dangerous. You can snag clothes, skin, hair, hands, etc. This can cause serious injury or death.
- Do not go under the vehicle when the engine is running.
- Do not work on or near an exposed shaft when the engine is running.
- Shut off engine before working on power take-off or driven equipment.
- Exposed rotating driveshafts must be guarded.



**WARNING**

### Warning: Using Set Screws

Auxiliary driveshafts may be installed with either recessed or protruding set screws. If you choose a square head set screw, you should be aware that it will protrude above the hub of the yoke and may be a point where clothes, skin, hair, hands, etc. could be snagged. A socket head set screw, which may not protrude above the hub of the yoke, does not permit the same amount of torquing as does a square head set screw. Also, a square head set screw, if used with a lock wire, will prevent loosening of the screw caused by vibration. Regardless of the choice made with respect to a set screw, an exposed rotating auxiliary driveshaft must be guarded.



**WARNING**

### Warning: Guarding Auxiliary Driveshafts

We strongly recommend that a power take-off and a directly mounted pump be used to eliminate the auxiliary driveshaft whenever possible. If an auxiliary driveshaft is used and remains exposed after installation, it is the responsibility of the vehicle designer and P.T.O. installer to install a guard.



This symbol warns of possible injury.



**Get the right u-joint right away.** With the Spicer® Yoke Ruler, you can quickly and easily measure a driveshaft yoke to determine the series of a driveshaft and then refer to the chart to the right to determine the correct u-joint kits for that series. This guide shows you how to find the part you need, no matter what information you have in front of you. **NOTE:** The Spicer Yoke Ruler is used to determine the series of driveshaft that is compatible with your yoke. Measurements for u-joint kits should be made with a caliper or micrometer and determined by using the dimensional charts in Spicer's K350 catalog.

## How to Measure a Yoke

This section will demonstrate how to use the Spicer Yoke Ruler to determine the correct Spicer driveshaft series when all you have is a yoke from a driveshaft. **NOTE:** This ruler will only measure Spicer Series yokes and is not inclusive of all driveshaft series. Refer to chart on the next page for u-joint kit number choices.

### With a Full-Round Driveshaft Yoke

1. Measure from the outside of the yoke ears as shown
2. The correct driveshaft/u-joint series will be indicated on the opposite ear – **1310 in this example**

The correct u-joint kit options are listed in the chart to the right, and include **5-153X** (Spicer service kit – greaseable), **5-1310-1X** (Spicer Life/SPL greaseable), and **5-1310X** (Spicer Life/SPL non-greaseable). **For measurements showing multiple series, refer to the K350 catalog.**



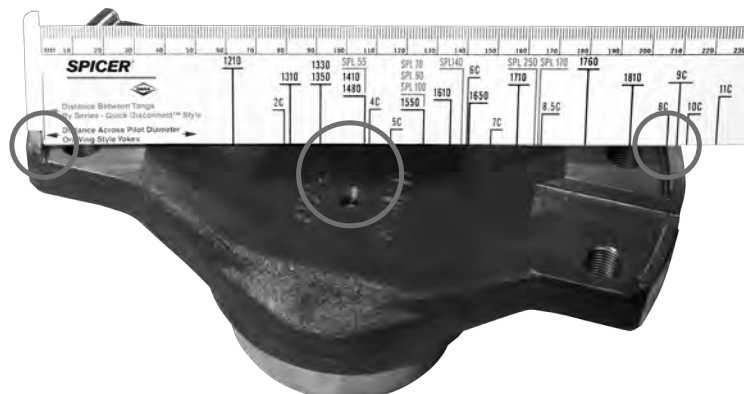
### With a Half-Round Driveshaft Yoke

1. Measure from the inside of the tab as shown
2. The correct driveshaft/u-joint series will be indicated on the opposite tab – **SPL170 in this example.**

**For measurements showing multiple series, refer to the K350 catalog.**

### With a Wing™ Series Yoke

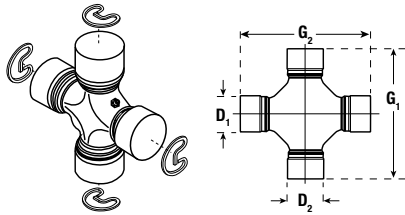
1. Measure across the inside of the pilot diameter. **CAUTION:** Make sure your ruler is directly over the center of the bolt holes on the yoke as shown
2. Read result on **opposite** pilot diameter
3. Wing™ Series u-joint kit part numbers can be found in the Wing™ Series brochure (J3312-WINGBRO-52105) available at [www.SpicerParts.com/library](http://www.SpicerParts.com/library)



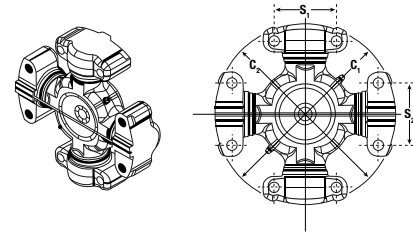
## Measuring U-Joint Kits (Spicer Yoke Ruler does not apply.)

The illustrations below show appropriate measurements required to identify the most common styles of u-joint kits. Illustrations for the other styles of u-joint kits can be found in the last section of the K350 catalog. We recommend using a caliper or micrometer to most accurately measure u-joints. U-Joint caps must be compressed when measuring dimension over the caps. Once you have recorded your measurements, refer to the dimensional charts by u-joint type which can be found in the last section of the K350 catalog. The K350 catalog can be downloaded from our online library, located at [www.SpicerParts.com/library](http://www.SpicerParts.com/library).

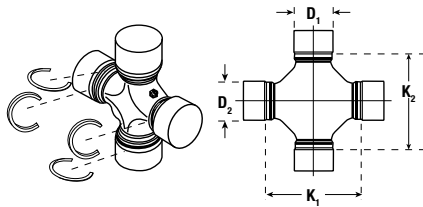
### Outside Snap Rings



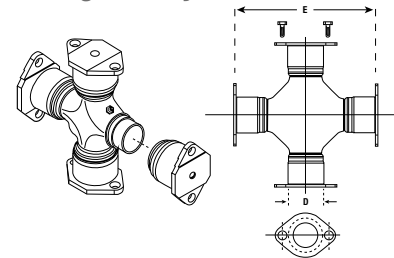
### Wing™ Series



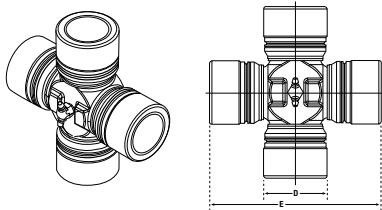
### Inside Snap Rings



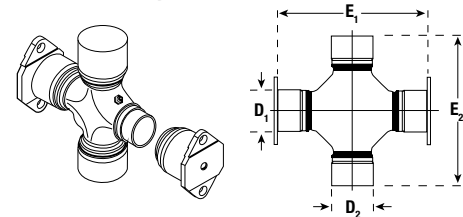
### Bearing Plate Style



### Spicer Life Series® (SPL® 140, 170, 250, and 350)



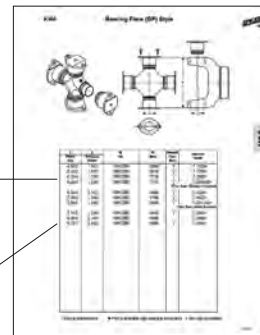
### Half Round Style



### Sample of the K350 Dimensional Pages

#### Bearing Plate (BP) Style

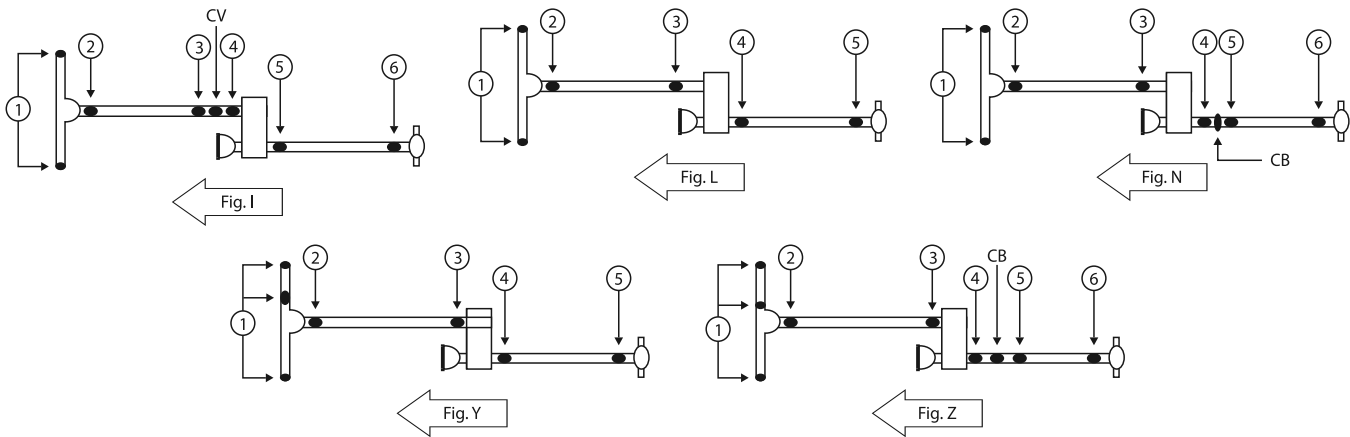
E Between Caps	D Bearing cap Diameter	OE Mfg.	OE Series	Greaseable (Y=yes N=no)	Spicer Part Number
4.562	1.562	SPICER	1500	Y	5-115X•
5.312	1.875	SPICER	1610	Y	5-279X
6.094	1.938	SPICER	1710	Y	5-280X
6.094	1.938	SPICER	1710	Y	5-280-4X•





Spicer® parts are there when you hit the trail—and when the trail hits back. No matter what conditions you throw at your 4WD vehicle, trust non-greaseable Spicer SPL® U-joints with the triple lip seal for premium performance. And when you need it, Spicer 4WD u-joint performance packs have everything for a complete u-joint change-out— with just one part number to order. For a complete listing of applications, please visit [www.SpicerParts.com/literature](http://www.SpicerParts.com/literature) and download the catalog “K350-1-DSSP” from the driveshaft section.

To help you find the Spicer u-joints you need for your vehicle, we have developed these performance u-joint charts. Simply follow these instructions. 1. Use the Kit Numbers by Make charts on the right to find the kit number that matches your year, make, and model. 2. Find your kit part number on the chart below. 3. Read across the chart to determine which drawing (DWG) corresponds to your kit. 4. Locate the u-joint that corresponds to the position you need.



Make	Kit Number	DWG	Pos 1	Pos 2	Pos 3	Pos 4	Pos 5	Pos 6
Ford	SPL1001FK	Y	5-760X	5-1330X	5-1330X	5-1350X	5-1350X	N/A
Ford	SPL1002FK	Y	5-760X	5-1330X	5-1330X	5-7438X	5-7438X	N/A
Ford	SPL1003FK	Z	5-760X	5-1330X	5-1330X	5-1330X	5-1330X	5-1330X
Ford	SPL1004FK	Y	5-760X	5-1330X	5-1330X	5-1330X	5-1330X	N/A
Ford	SPL1005FK	Z	5-760X	5-1330X	5-1330X	5-1350X	5-1350X	5-1350X
Ford	SPL1006FK	Y or L	N/A	5-1330X	5-1330X	5-1330X	5-1330X	N/A
Ford	SPL1007FK	Y or L	N/A	5-1330X	5-1330X	5-1350X	5-1350X	N/A
Ford	SPL1008FK	Z	N/A	5-1330X	5-1330X	5-1330X	5-1330X	5-1330X
Ford	SPL1009FK	Z	N/A	5-1330X	5-1330X	5-1350X	5-1350X	5-1350X
Ford	SPL1011FK	L	N/A	5-1310X	N/A	5-1330X	5-1330X	N/A
Ford	SPL1012FK	L	N/A	5-1330X	N/A	5-1330X	5-1330X	N/A
Jeep	SPL1013JK	I	5-760X	5-1310X	5-1310X	5-1310X	5-788X	5-788X
Jeep	SPL1014JK	I	5-760X	5-1310X	5-1310X	5-1310X	5-1310X	5-1310X
Jeep	SPL1015JK	I	5-760X	5-1310X	5-1310X	5-1310X	5-811X	5-811X
Jeep	SPL1016JK	I	N/A	5-1310X	5-1310X	5-1310X	5-1310X	5-1310X
Jeep	SPL1017JK	I	N/A	5-1310X	5-1310X	5-1310X	5-1330X	5-1310X
Jeep	SPL1018JK	L	5-760X	5-1310X	5-1310X	5-1310X	5-1310X	N/A
Jeep	SPL1019JK	I	5-760X	5-793X	5-1330X	5-1330X	5-795X	5-793X
Jeep	SPL1020JK	I	5-760X	5-793X	5-1330X	5-1330X	5-1310X	5-1310X
Jeep	SPL1026JK	L	5-260X	5-1310X	5-1310X	5-1310X	5-1310X	N/A
Jeep	SPL1027JK	I	5-260X	5-1310X	5-1310X	5-1310X	5-1310X	5-1310X
Jeep	SPL1028JK	I	5-7166X	5-1310X	5-1310X	5-1310X	5-1310X	5-1310X
Jeep	SPL1029JK	I	5-760X	5-1350X	5-1350X	5-1350X	5-1350X	5-1350X
Jeep	SPL1030JK	I	5-7166X	5-1350X	5-1350X	5-1350X	5-1350X	5-1350X
Chevy	SPL1021CK	L	N/A	5-795X	5-795X	5-795X	5-795X	N/A
Chevy	SPL1022CK	L	N/A	5-795X	5-795X	5-1330X	5-793X	N/A
Chevy	SPL1023CK	N	N/A	5-795X	5-795X	5-1330X	5-1330X	5-793X
Chevy	SPL1024CK	L	N/A	5-795X	5-795X	5-1350X	5-1350X	N/A
Chevy	SPL1025CK	N	N/A	5-795X	5-795X	5-1350X	5-1350X	5-1350X



## FORD

Year	Model	Description	Kit #
1997-2001	Expedition	2 joint shaft w/ adj. suspension	SPL1007FK
1997-2001	Expedition	2 joint shaft w/ std suspension	SPL1006FK
2002-2006	Expedition	2 joint driveshaft	SPL1007FK
1998-2003	Explorer	w/ plunging CV joint at TC	SPL1010FK
2004	Explorer	w/ Sport Trac	SPL1012FK
2005-2006	Explorer		SPL1011FK
1997-1999	F-150	2 joint driveshaft w/ 2 inside and 2 outside snap rings	SPL1002FK
1997-1999	F-150	2 joint driveshaft w/ 4 outside snaps	SPL1001FK
1997-1999	F-150	3 joint driveshaft	SPL1003FK
2000-2001	F-150	2 joint driveshaft w/ 4.2L and 4.6L exc. reg. cab w/ short bed	SPL1001FK
2000-2001	F-150	2 joint driveshaft w/ 4.2L and 4.6L reg. cab w/ short bed	SPL1004FK
2000-2001	F-150	2 joint driveshaft w/ 5.4L engine	SPL1001FK
2000-2001	F-150	3 joint driveshaft w/ 4.2L and 4.6L engine	SPL1003FK
2000-2001	F-150	3 joint driveshaft w/ 5.4L engine	SPL1005FK
2002-2003	F-150	2 joint driveshaft w/ 4.2L and 4.6L exc. reg. cab w/ short bed	SPL1007FK
2002-2003	F-150	2 joint driveshaft w/ 4.2L and 4.6L reg. cab w/ short bed	SPL1006FK
2002-2003	F-150	2 joint driveshaft w/ 5.4L engine	SPL1007FK
2002-2003	F-150	3 joint driveshaft w/ 5.4L engine	SPL1009FK
2002-2004	F-150	3 joint driveshaft w/ 4.2L and 4.6L engine	SPL1008FK
2004	F-150	2 joint driveshaft w/ 4.2L and 4.6L exc. reg. cab w/ short bed	SPL1007FK

## JEEP

Year	Model	Description	Kit #
1984-1993	Cherokee (XJ)	w/o CV front driveshaft	SPL1026JK
1987-1993	Cherokee (XJ)	w/ CV front driveshaft	SPL1027JK
1995-1998	Cherokee Compact (XJ)	w/ 2 inside and 2 outside snap rings	SPL1013JK
1995-1998	Cherokee Compact (XJ)	w/ 4 inside snap rings w/ 7290 series	SPL1015JK
1995-1998	Cherokee Compact (XJ)	w/ 4 outside snap rings	SPL1014JK
1999-2001	Cherokee Compact (XJ)	w/ automatic transmission	SPL1014JK
1968-1983	CJ5	w/o CV front driveshaft	SPL1026JK
1979-1983	CJ5	w/ CV front driveshaft	SPL1027JK
1976-1986	CJ7	w/o CV front driveshaft	SPL1026JK
1979-1986	CJ7	w/ CV front driveshaft	SPL1027JK
1994-1998	Grand Cherokee	w/ 2 inside and 2 outside snap rings	SPL1013JK

continued next page



**JEEP (CONTINUED)**

Year	Model	Description	Kit #
1994-1998	Grand Cherokee	w/ 4 inside snap rings w/ 7290 series	SPL1015JK
1994-1998	Grand Cherokee	w/ 4 outside snap rings	SPL1014JK
1999	Grand Cherokee		SPL1014JK
2000	Grand Cherokee		SPL1016JK
2001-2003	Grand Cherokee	4.7L w/ Selec-Trac	SPL1017JK
2001-2003	Grand Cherokee	4.7L w/o Selec-Trac	SPL1016JK
2004	Grand Cherokee	4.7L engine	SPL1016JK
1997-1998	Wrangler (TJ)		SPL1018JK
1999-2002	Wrangler (TJ)		SPL1014JK
2003-2004	Wrangler (TJ)	Exc. Wrangler Rubicon	SPL1014JK
2003-2004	Wrangler (TJ)	Rubicon	SPL1019JK
2005-2006	Wrangler (TJ)	Exc. Wrangler Rubicon and Unlimited Rubicon	SPL1014JK
2005-2006	Wrangler (TJ)	Rubicon	SPL1019JK
2005-2006	Wrangler (TJ)	Unlimited Rubicon	SPL1020JK
1987-1995	Wrangler (YJ)		SPL1026JK
2007-2011	Wrangler (JK)	w/ aftermarket 1350 or CV front driveshaft	SPL1029JK
2012-2016	Wrangler (JK)	w/ aftermarket 1310 or CV front driveshaft	SPL1028JK
2012-2016	Wrangler (JK)	w/ aftermarket 1350 or CV front driveshaft	SPL1030JK

**CHEVROLET**

Year	Model	Description	Kit #
1999-2001	1500/1500 HD PU	Extended cab, long bed	SPL1023CK
1999-2001	1500/1500 HD PU	Extended cab, short bed	SPL1022CK
1999-2004	1500/1500 HD PU	Regular cab	SPL1021CK
2002-2004	1500/1500 HD PU	Extended cab, long bed, w/o 4 wheel steering option	SPL1023CK
2002-2004	1500/1500 HD PU	Extended cab, std bed, w/ 4 wheel steering	SPL1024CK
2002-2004	1500/1500 HD PU	Extended cab, std Bed, w/o 4 wheel steering option	SPL1022CK
2002-2004	1500/1500 HD PU	Crew cab	SPL1025CK
2005	1500/1500 HD PU	Regular cab w/ inside snap rings	SPL1021CK
2005	1500/1500 HD PU	Regular cab w/outside snap rings	SPL1024CK
2006	1500/1500 HD PU	Extended cab long bed	SPL1025CK
2006	1500/1500 HD PU	Regular cab, ext. cab-std bed, crew cab	SPL1024CK





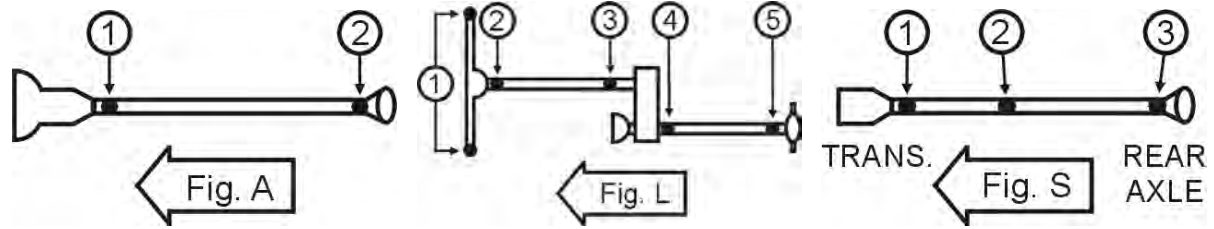
**Alfa Romeo**

Year	Model	Description	Fig.	Location	Spicer Part #	SPL Part #	SVL Part #
1954-1958	1900		A	1,2	5-101X		
1954-1957	1900C		A	1,2	5-101X		
1958-1962	2000		A	1,2	5-101X		
1962-1968	2600		A	1,2	5-101X		
1969-1974	Berlina		A	1,2	5-101X		
1966-1968	Duetto 1600		A	1,2	5-101X		
1962-1968	Giulia		A	1,2	5-101X		
1962-1968	Giulia Sprint		A	1,2	5-101X		
1954-1963	Giulietta		A	1,2	5-101X		
1969-1974	GT Veloce		A	1,2	5-101X		
1965-1968	GTA		A	1,2	5-101X		
1964-1966	GTC		A	1,2	5-101X		
1967-1968	GTV		A	1,2	5-101X		
1964	GTZ		A	1,2	5-101X		
1971-1975	Montreal		A	1,2	5-101X		
1969-1979	Spider		A	1,2	5-101X		
1978-1979	Sport		A	1,2	5-101X		
1977-1979	Sprint		A	1,2	5-101X		
1965	TZ		A	1,2	5-101X		
1967	TZ 2		A	1,2	5-101X		

**American Motors**

Year	Model	Description	Fig.	Location	Spicer Part #	SPL Part #	SVL Part #
1958-1959	Ambassador		A	1	5-3219-1X		
1960-1962	Ambassador	Auto Trans; 1.125" Cup Dia.	A	1	5-3219-1X		
	Ambassador	Standard Trans	A	1	5-3219-1X		
1963-1966	Ambassador		A	1	5-3263X		
1967-1974	Ambassador		A	1,2	5-153X*	5-1310-1X* 5-1310X**	15-153X
1958-1964	American		A	1,2	5-105X		
1965	American	3.2L	A	1,2	5-105X		
1965-1966	American	3.8L	A	1	5-3242X		
	American	3.8L	A	2	5-2173X		
1966	American	4.7L	A	1	5-3242X		
	American	3.3L	A	1,2	5-105X		
	American	4.7L	A	2	5-2173X		
1967	American	Auto Trans	A	1	5-3242X		
	American	Standard Trans	A	1	5-2173X		
	American		A	2	5-2173X		
1968	American		A	1,2	5-153X*	5-1310-1X* 5-1310X**	15-153X
1963	Classic	3.2L	A	1	5-101X		
1963-1964	Classic	4.7L	A	1	5-3263X		
1964	Classic	3.2L; 3.8L	A	1	5-105X		
1965	Classic	3.2L; 3.3L	A	1	5-105X		
	Classic	3.8L; 4.7L; 5.3L	A	1	5-3263X		
1966	Classic		A	1	5-3263X		
1978	Concord	2.0L; 3.8L; 4.2L; 5.0L; w/ Inside Snap Rings	A	1,2	5-3228X	5-789X	
	Concord	2.0L; 3.8L; 4.2L; w/ Outside Snap Rings	A	1,2	5-153X*	5-1310-1X* 5-1310X**	15-153X
1979-1982	Concord	w/ Outside Snap Rings	A	1	5-153X*	5-1310-1X* 5-1310X**	15-153X
	Concord	w/ Inside Snap Rings	A	1,2	5-3228X	5-789X	
1979-1983	Concord	w/ Inside & Outside Snap Rings	A	2		5-788X	15-353X
1983	Concord		A	1	5-153X*	5-1310-1X* 5-1310X**	15-153X
	Concord	w/ Outside Snap Rings	A	2	5-153X*	5-1310-1X* 5-1310X**	15-153X

\* GREASEABLE \*\* NON-GREASEABLE



**American Motors (Cont'd)**

Year	Model	Description	Fig.	Location	Spicer Part #	SPL Part #	SVL Part #
1980-1981	Eagle	4.2L	L	2,3	5-153X*	5-1310-1X* 5-1310X**	15-153X
	Eagle	w/ Outside Snap Rings	L	4	5-153X*	5-1310-1X* 5-1310X**	15-153X
	Eagle	w/ Inside Snap Rings	L	4,5	5-3228X	5-789X	
	Eagle	w/ Inside & Outside Snap Rings	L	5		5-788X	15-353X
1981	Eagle	2.5L	L	2	5-101X		
1982-1988	Eagle		L	2,3,4,5	5-153X*	5-1310-1X* 5-1310X**	15-153X
1965-1966	Marlin		A	1	5-3263X		
1967	Marlin		A	1,2	5-153X*	5-1310-1X* 5-1310X**	15-153X
1975	Pacer	w/ Outside Snap Rings	A	1,2	5-153X*	5-1310-1X* 5-1310X**	15-153X
1976-1977	Pacer	3.8L; 4.2L; w/ Inside Snap Rings	A	1,2	5-3228X	5-789X	
1976-1978	Pacer	3.8L; 4.2L; w/ Outside Snap Rings	A	1,2	5-153X*	5-1310-1X* 5-1310X**	15-153X
1978	Pacer	3.8L; 4.2L; 5.0L; w/ Inside Snap Rings	A	1,2	5-3228X	5-789X	
1979-1980	Pacer	w/ Outside Snap Rings	A	1	5-153X*	5-1310-1X* 5-1310X**	15-153X
	Pacer	w/ Inside Snap Rings	A	1,2	5-3228X	5-789X	
	Pacer	w/ Inside & Outside Snap Rings	A	2		5-788X	15-353X
1958-1960	Rambler	Standard Trans; Overdrive; Exc. HD	A	1	5-101X		
	Rambler	Auto Trans	A	1,2	5-105X		
1969	Rambler		A	1,2	5-153X*	5-1310-1X* 5-1310X**	15-153X
1979-1981	Spirit	w/ Outside Snap Rings	A	1	5-153X*	5-1310-1X* 5-1310X**	15-153X
1979-1982	Spirit	w/ Inside Snap Rings	A	1,2	5-3228X	5-789X	
	Spirit	w/ Inside & Outside Snap Rings	A	2		5-788X	15-353X
1982	Spirit	w/ Outside Snap Rings	A	1,2	5-153X*	5-1310-1X* 5-1310X**	15-153X
1983	Spirit		A	1,2	5-153X*	5-1310-1X* 5-1310X**	15-153X

**Aston Martin**

Year	Model	Description	Fig.	Location	Spicer Part #	SPL Part #	SVL Part #
1963-1965	DB5		A	1,2	5-153X*	5-1310-1X*	15-153X
1965-1970	DB6		A	1,2	5-153X*	5-1310-1X*	15-153X

**Austin**

Year	Model	Description	Fig.	Location	Spicer Part #	SPL Part #	SVL Part #
1968-1971	America	Auto Trans	A	1,2	5-101X		
1973-1975	Marina	Auto Trans	S	1,2,3	5-101X		

**Austin Healey**

Year	Model	Description	Fig.	Location	Spicer Part #	SPL Part #	SVL Part #
1965-1970	Sprite		A	1,2	5-101X		

\* GREASEABLE \*\* NON-GREASEABLE

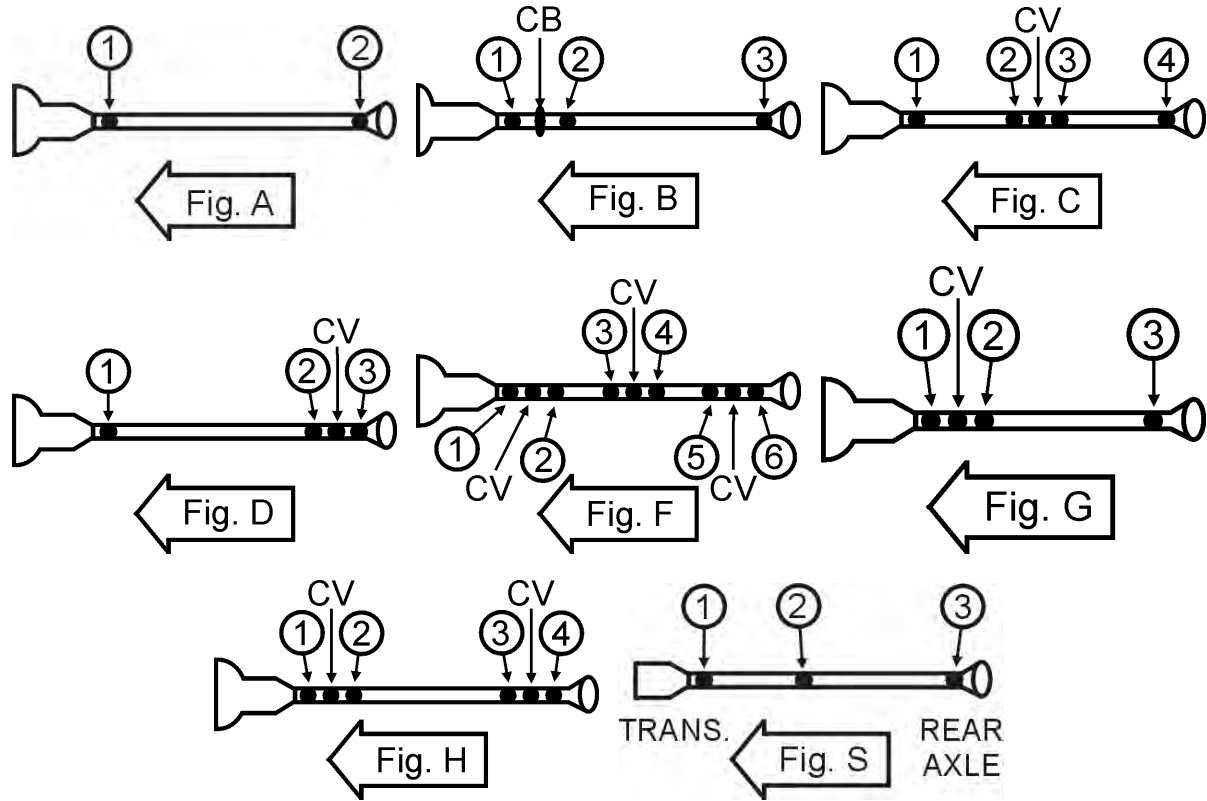
**Bentley**

Year	Model	Description	Fig.	Location	Spicer Part #	SPL Part #	SVL Part #
1959-1965	Continental		A	1,2	5-178X*	5-1350-1X* 5-1350X**	15-178X
1959-1961	S2 Series		A	1,2	5-178X*	5-1350-1X* 5-1350X**	15-178X
1962-1965	S3 Series		A	1,2	5-178X*	5-1350-1X* 5-1350X**	15-178X

**Buick**

Year	Model	Description	Fig.	Location	Spicer Part #	SPL Part #	SVL Part #
1973-1975	Apollo		A	1,2	5-153X*	5-1310-1X* 5-1310X**	15-153X
1973-1981	Century		A	1,2	5-3147X*	5-795X**	15-3147X
1979	Century	2 Piece Driveshaft	G	CV	211009X		
1995	Commercial Chassis		A	1,2	5-3147X*		15-3147X
1996	Commercial Chassis		A	1,2	5-3147X*	5-795X**	15-3147X
1959-1960	Electra		B	2	5-213X*	5-1330-1X* 5-1330X**	15-213X
1961-1963	Electra		B	1,2	5-213X*	5-1330-1X* 5-1330X**	15-213X
	Electra		B	3	5-212X*		
1961-1981	Electra	1 Piece Driveshaft	A	1,2	5-3147X*	5-795X**	15-3147X
1964-1967	Electra	2 Piece Driveshaft	C	1,4	5-3147X*	5-795X**	15-3147X
1968	Electra	2 Piece Driveshaft	C	1,2,3,4	5-3147X*	5-795X**	15-3147X
1969-1981	Electra	2 Piece Driveshaft	D	1,2,3	5-3147X*	5-795X**	15-3147X
1973-1974	Electra	Exc. Wagon	G	CV	211009X		
1975-1981	Electra	2 Piece Driveshaft	G	CV	211009X		
1982-1985	Electra	w/ Outside Snap Rings	A	1,2	5-178X*	5-1350-1X* 5-1350X**	15-178X
1982-1989	Electra	w/ Inside Snap Rings	A	1,2	5-3147X*	5-795X**	15-3147X
1982-1983	Estate Wagon	w/ Inside Snap Rings	A	1,2	5-3147X*	5-795X**	15-3147X
	Estate Wagon	w/ Outside Snap Rings	A	1,2	5-178X*	5-1350-1X* 5-1350X**	15-178X
1959-1960	LeSabre		B	2	5-213X*	5-1330-1X* 5-1330X**	15-213X
1961-1963	LeSabre		B	1,2	5-213X*	5-1330-1X* 5-1330X**	15-213X
	LeSabre		B	3	5-212X*		
	LeSabre	2 Piece Driveshaft	C	1,2,3,4	5-3147X*	5-795X**	15-3147X
1961-1981	LeSabre	1 Piece Driveshaft	A	1,2	5-3147X*	5-795X**	15-3147X
1964-1968	LeSabre	2 Piece Driveshaft	C	1,4	5-3147X*	5-795X**	15-3147X
1969-1981	LeSabre	2 Piece Driveshaft	D	1,2,3	5-3147X*	5-795X**	15-3147X
1973-1974	LeSabre	Exc. Wagon	G	CV	211009X		
1975-1981	LeSabre	2 Piece Driveshaft	G	CV	211009X		
1982-1985	LeSabre	w/ Inside Snap Rings	A	1,2	5-3147X*	5-795X**	15-3147X
	LeSabre	w/ Outside Snap Rings	A	1,2	5-178X*	5-1350-1X* 5-1350X**	15-178X
1973-1981	Regal		A	1,2	5-3147X*	5-795X**	15-3147X
1979	Regal	2 Piece Driveshaft	G	CV	211009X		
1982-1987	Regal	w/ Inside Snap Rings	A	1,2	5-3147X*	5-795X**	15-3147X
	Regal	w/ Outside Snap Rings	A	1,2	5-178X*	5-1350-1X* 5-1350X**	15-178X
1964-1970	Riviera		F	1,2,3,4,5,6	5-3147X*	5-795X**	15-3147X
1971-1978	Riviera		B	1,2,3	5-3147X*	5-795X**	15-3147X
1973-1978	Riviera		G	CV	211009X		
1957-1958	Roadmaster		B	2	5-213X*	5-1330-1X* 5-1330X**	15-213X
1991-1996	Roadmaster		A	1,2	5-3147X*	5-795X**	15-3147X
1975-1979	Skyhawk		A	1,2	5-153X*	5-1310-1X* 5-1310X**	15-153X
1964-1972	Skylark		A	1,2	5-3147X*	5-795X**	15-3147X
1961-1963	Special		C	1	5-3242X		

\* GREASEABLE \*\* NON-GREASEABLE



**Buick (Cont'd)**

Year	Model	Description	Fig.	Location	Spicer Part #	SPL Part #	SVL Part #
1961-1963	Special		C	2,3	5-3263X		
	Special		C	4	5-3242X		
1964-1969	Special		A	1,2	5-3147X*	5-795X**	15-3147X
1962-1963	Wildcat	2 Piece Driveshaft	C	1,2,3,4	5-3147X*	5-795X**	15-3147X
1962-1970	Wildcat	1 Piece Driveshaft	A	1,2	5-3147X*	5-795X**	15-3147X
1964-1965	Wildcat	2 Piece Driveshaft	C	1	5-3147X*	5-795X**	15-3147X
1966-1968	Wildcat	2 Piece Driveshaft	C	1,4	5-3147X*	5-795X**	15-3147X
1969-1970	Wildcat	2 Piece Driveshaft	B	1,2,3	5-3147X*	5-795X**	15-3147X

**Cadillac**

Year	Model	Description	Fig.	Location	Spicer Part #	SPL Part #	SVL Part #
1987-1992	Brougham		A	1,2	5-3147X*	5-795X**	15-3147X
1991-1992	Brougham	3.73 Gear Ratio; Armored Body	H	CV	211009X		
			F	1,2,3,4,5,6	5-3147X*	5-795X**	15-3147X
1963-1979	Commercial Chassis		F	CV	211009X		
1973-1979	Commercial Chassis		F	CV	211009X		
1980-1984	Commercial Chassis		H	1,2,3,4	5-3147X*	5-795X**	15-3147X
			H	CV	211009X		
1992-1996	Commercial Chassis	w/o Armored Body	A	1,2	5-3147X*	5-795X**	15-3147X
		Armored Body	D	1,2,3	5-3147X*	5-795X**	15-3147X
		3.73 Gear Ratio; Armored Body	H	CV	211009X		
1953-1956	DeVille	1 Piece Driveshaft	A	1,2	5-3147X*	5-795X**	15-3147X
		2 Piece Driveshaft	S	1,2,3	5-3264X		
1957	DeVille		S	1,2,3	5-3147X*	5-795X**	15-3147X
1958-1962	DeVille	w/ Inside Snaps Rings	S	1,2,3	5-3147X*	5-795X**	15-3147X
		w/ Outside Snaps Rings	S	1,2,3	5-213X*	5-1330-1X* 5-1330X**	15-213X

\* GREASEABLE \*\* NON-GREASEABLE

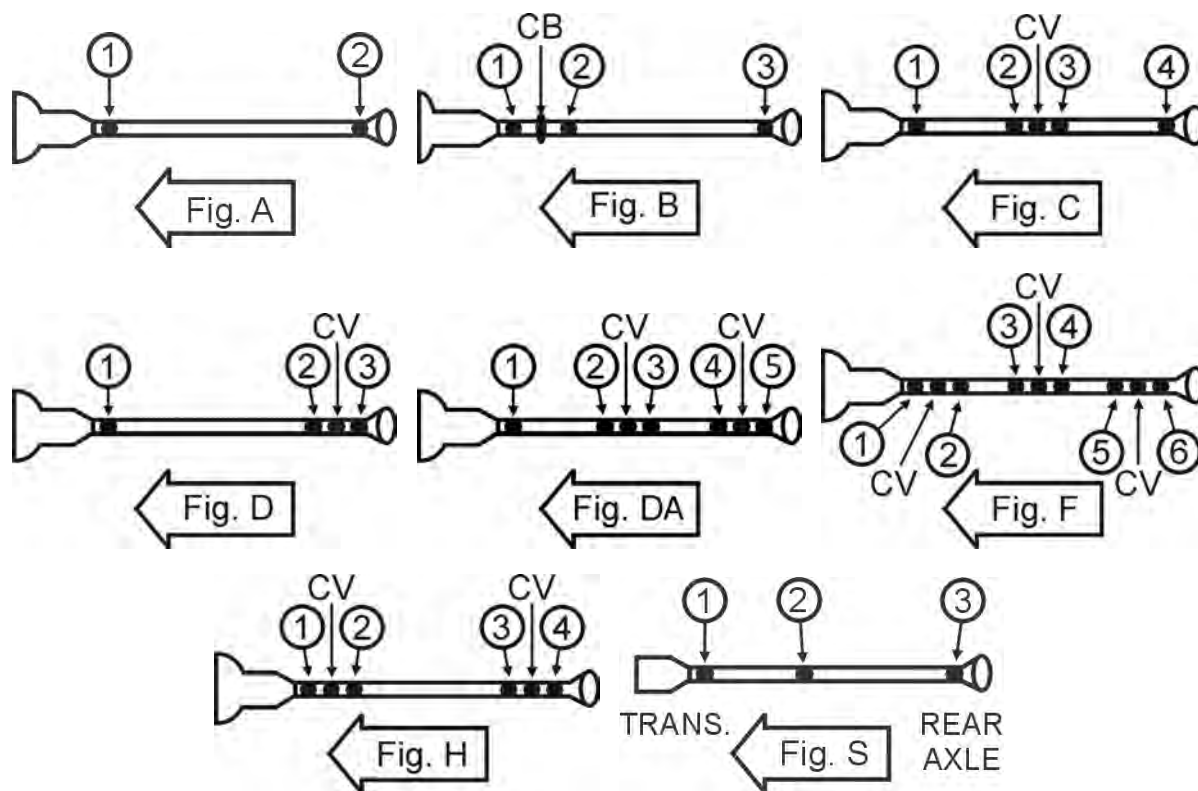
**Cadillac (Cont'd)**

Year	Model	Description	Fig.	Location	Spicer Part #	SPL Part #	SVL Part #
1963-1967	DeVille		DA	1,2,3,4,5	5-3147X*	5-795X**	15-3147X
1968-1981	DeVille		H	1,2,3,4	5-3147X*	5-795X**	15-3147X
1982-1984	DeVille		A	1,2	5-3147X*	5-795X**	15-3147X
1953-1956	Eldorado	1 Piece Driveshaft	A	1,2	5-3147X*	5-795X**	15-3147X
	Eldorado	2 Piece Driveshaft	S	1,2,3	5-3264X		
1957-1962	Eldorado	w/ Inside Snaps Rings	S	1,2,3	5-3147X*	5-795X**	15-3147X
	Eldorado	w/ Outside Snaps Rings	S	1,2,3	5-213X*	5-1330-1X* 5-1330X**	15-213X
1963-1964	Eldorado		DA	1,2,3,4,5	5-3147X*	5-795X**	15-3147X
1965-1967	Fleetwood		DA	1,2,3,4,5	5-3147X*	5-795X**	15-3147X
1968-1981	Fleetwood		H	1,2,3,4	5-3147X*	5-795X**	15-3147X
1973-1979	Fleetwood	Exc. 75 Series	C	CV	211009X		
	Fleetwood	75 Series	F	CV	211009X		
1980-1984	Fleetwood		H	CV	211009X		
1982-1986	Fleetwood		A	1,2	5-3147X*	5-795X**	15-3147X
1993-1996	Fleetwood	Armored Body; 1 Piece Driveshaft	A	1	5-3147X*	5-795X**	15-3147X
	Fleetwood	w/o Armored Body; 1 Piece Driveshaft	A	2	5-3147X*	5-795X**	15-3147X
	Fleetwood	w/o Armored Body; 2 Piece Driveshaft	D	1	5-3147X*	5-795X**	15-3147X
	Fleetwood	Armored Body; 2 Piece Driveshaft	D	2,3	5-3147X*	5-795X**	15-3147X
	Fleetwood	3.73 Gear Ratio; Armored Body	H	CV	211009X		
1950-1951	Series 61	1 Piece Driveshaft	A	1,2	5-3147X*	5-795X**	15-3147X
	Series 61	2 Piece Driveshaft	S	1,2,3	5-3264X		
1952-1956	Series 62	1 Piece Driveshaft	A	1,2	5-3147X*	5-795X**	15-3147X
	Series 62	2 Piece Driveshaft	S	1,2,3	5-3264X		
1950-1956	Series 75 Fleetwood	1 Piece Driveshaft	A	1,2	5-3147X*	5-795X**	15-3147X
	Series 75 Fleetwood	2 Piece Driveshaft	S	1,2,3	5-3264X		
1958-1962	Series 75 Fleetwood	w/ Inside Snaps Rings	S	1,2,3	5-3147X*	5-795X**	15-3147X
	Series 75 Fleetwood	w/ Outside Snaps Rings	S	1,2,3	5-213X*	5-1330-1X* 5-1330X**	15-213X
	Series 75 Fleetwood	w/ Inside & Outside Snap Rings	S	3	5-212X*	5-793X**	
1963-1964	Series 75 Fleetwood		S	1,2,3	5-3147X*	5-795X**	15-3147X

**Checker**

Year	Model	Description	Fig.	Location	Spicer Part #	SPL Part #	SVL Part #
1962-1972	Aerobus		B	1,2,3	5-153X*	5-1310-1X* 5-1310X**	15-153X
1973-1974	Aerobus		C	1,2,3,4	5-153X*	5-1310-1X* 5-1310X**	15-153X
1961-1968	Marathon		A	1,2	5-153X*	5-1310-1X* 5-1310X**	15-153X
1969-1971	Marathon		A	1,2	5-213X*	5-1330-1X* 5-1330X**	15-213X
1972-1973	Marathon		A	1,2	5-153X*	5-1310-1X* 5-1310X**	15-153X
1974-1980	Marathon		A	1	5-213X*	5-1330-1X* 5-1330X**	15-213X
	Marathon		A	2	5-153X*	5-1310-1X* 5-1310X**	15-153X
1952-1964	Taxicab		A	1,2	5-153X*	5-1310-1X* 5-1310X**	15-153X
1969-1971	Taxicab		A	1,2	5-213X*	5-1330-1X* 5-1330X**	15-213X
1972-1973	Taxicab		A	1,2	5-153X*	5-1310-1X* 5-1310X**	15-153X
1974	Taxicab		A	1	5-213X*	5-1330-1X* 5-1330X**	15-213X
	Taxicab		A	2	5-153X*	5-1310-1X* 5-1310X**	15-153X

\* GREASEABLE \*\* NON-GREASEABLE



**Chevrolet**

Year	Model	Description	Fig.	Location	Spicer Part #	SPL Part #	SVL Part #
1958-1964	Bel Air		S	1,2,3	5-153X*	5-1310-1X* 5-1310X**	15-153X
1965-1970	Bel Air		A	1,2	5-153X*	5-1310-1X* 5-1310X**	15-153X
1971-1975	Bel Air	Wagon; w/ Inside Snap Rings	A	1,2	5-3147X*	5-795X**	15-3147X
	Bel Air	Wagon; w/ Outside Snap Rings	A	1,2	5-153X*	5-1310-1X* 5-1310X**	15-153X
	Bel Air	Sedan	D	1,2,3	5-3147X*	5-795X**	15-3147X
1973	Bel Air	Exc. Wagon; w/ Machined Yokes	D	CV	211009X		
1974-1975	Bel Air	Exc. Wagon; w/ Inside Snap Rings	D	CV	211009X		
1981	Bel Air		A	1,2	5-3147X*	5-795X**	15-3147X
1967-1975	Camaro	1 Piece Driveshaft	A	1,2	5-153X*	5-1310-1X* 5-1310X**	15-153X
1982-1984	Camaro	1 Piece Driveshaft; w/ Inside Snap Rings	A	1,2	5-3147X*	5-795X**	15-3147X
	Camaro	1 Piece Driveshaft; w/ Outside Snap Rings	A	1,2	5-178X*	5-1350-1X* 5-1350X**	15-178X
1988-1992	Camaro	1 Piece Driveshaft; Aluminum Driveshaft	A	1		5-3613X	
	Camaro	1 Piece Driveshaft; Steel Driveshaft	A	1,2	5-3147X*	5-795X**	15-3147X
1993	Camaro	Base; Indianapolis 500 Pace Car; 2 Piece Driveshaft	B	1,3	5-3147X*	5-795X**	15-3147X
1993-1997	Camaro	Z28; 1 Piece Driveshaft	A	1,2	5-3147X*	5-795X**	15-3147X
1996-1997	Camaro	Base; RS; 2 Piece Driveshaft	B	1,3	5-3147X*	5-795X**	15-3147X
1998-1999	Camaro	Z28; Z28 SS; 1 Piece Driveshaft	A	1,2	5-3147X*	5-795X**	15-3147X
	Camaro	Base; 2 Piece Driveshaft	B	1,3	5-3147X*	5-795X**	15-3147X
2000-2002	Camaro	1 Piece Driveshaft	A	1,2	5-3147X*	5-795X**	15-3147X
1966-1967	Caprice		A	1,2	5-153X*	5-1310-1X* 5-1310X**	15-153X
1968-1970	Caprice	Standard Trans	A	1,2	5-153X*	5-1310-1X* 5-1310X**	15-153X
1971-1975	Caprice	Wagon; w/ Inside Snap Rings	A	1,2	5-3147X*	5-795X**	15-3147X

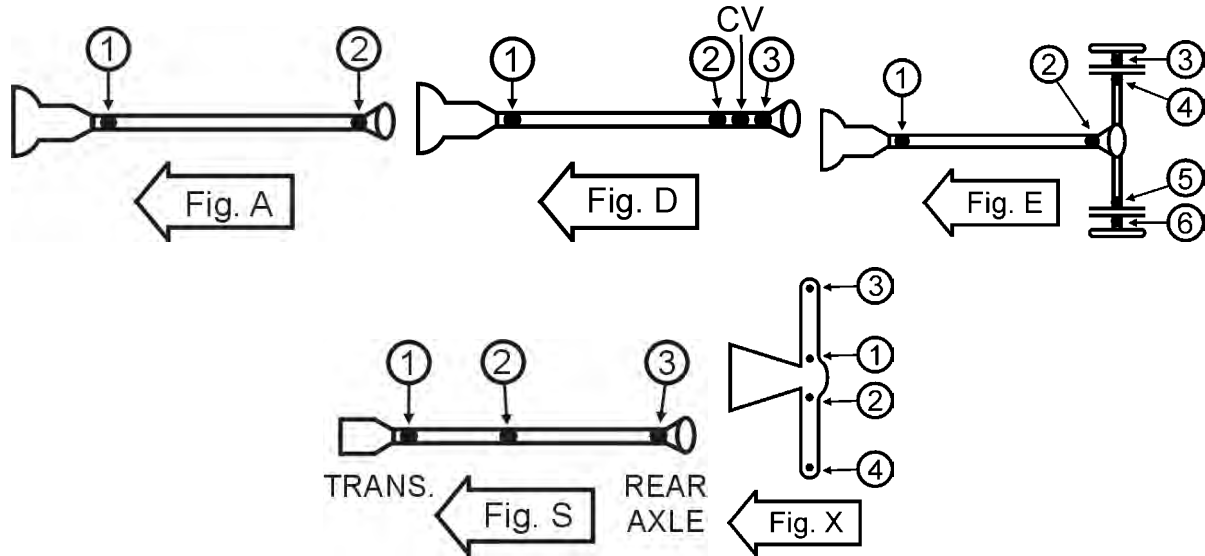
\* GREASEABLE \*\* NON-GREASEABLE

**Chevrolet (Cont'd)**

Year	Model	Description	Fig.	Location	Spicer Part #	SPL Part #	SVL Part #
1971-1975	Caprice	Wagon; w/ Outside Snap Rings	A	1,2	5-153X*	5-1310-1X* 5-1310X**	15-153X
1973	Caprice	Exc. Wagon; w/ Machined Yokes	D	CV	211009X		
1973-1975	Caprice	Sedan	D	1,2,3	5-3147X*	5-795X**	15-3147X
1974-1976	Caprice	Exc. Wagon; w/ Inside Snap Rings	D	CV	211009X		
1976	Caprice		D	1,2,3	5-3147X*	5-795X**	15-3147X
1979	Caprice		D	CV	211009X		
1982-1984	Caprice	w/ Inside Snap Rings	A	1,2	5-3147X*	5-795X**	15-3147X
	Caprice	w/ Outside Snap Rings	A	1,2	5-178X*	5-1350-1X* 5-1350X**	15-178X
1985-1996	Caprice		A	1,2	5-3147X*	5-795X**	15-3147X
1964-1970	Chevelle		A	1,2	5-153X*	5-1310-1X* 5-1310X**	15-153X
1971-1972	Chevelle	7.4L	A	1	5-3147X*	5-795X**	15-3147X
	Chevelle	Exc. 7.4L	A	1,2	5-153X*	5-1310-1X* 5-1310X**	15-153X
	Chevelle	7.4L	A	2	5-212X*	5-793X**	
1973	Chevelle		A	1,2	5-3147X*	5-795X**	15-3147X
1976-1987	Chevette		A	1,2	5-3254X		
1962-1968	Chevy II		A	1,2	5-153X*	5-1310-1X* 5-1310X**	15-153X
1960-1969	Corvair		X	1,2,3,4	5-153X*	5-1310-1X* 5-1310X**	15-153X
1953-1962	Corvette		A	1,2	5-153X*	5-1310-1X* 5-1310X**	15-153X
1963-1967	Corvette		E	1,2	5-153X*	5-1310-1X* 5-1310X**	15-153X
1963-1982	Corvette		E	3,4,5,6	5-178X*	5-1350-1X* 5-1350X**	15-178X
1971-1979	Corvette		E	1,2	5-213X*	5-1330-1X* 5-1330X**	15-213X
1980-1981	Corvette	Standard Trans	E	1,2	5-153X*	5-1310-1X* 5-1310X**	15-153X
1980-1982	Corvette	Auto Trans	E	1,2	5-213X*	5-1330-1X* 5-1330X**	15-213X
1984-1997	Corvette	w/ Aluminum Yoke	E	1,2		5-3613X	
	Corvette	w/ Steel Yoke	E	1,2	5-153X*	5-1310-1X* 5-1310X**	15-153X
	Corvette		E	3,4,5,6		5-3615X	
1958-1964	Impala		S	1,2,3	5-153X*	5-1310-1X* 5-1310X**	15-153X
1965-1970	Impala		A	1,2	5-153X*	5-1310-1X* 5-1310X**	15-153X
1971-1975	Impala	Wagon; 1 Piece Driveshaft; w/ Inside Snap Rings	A	1,2	5-3147X*	5-795X**	15-3147X
	Impala	Wagon; 1 Piece Driveshaft; w/ Outside Snap Rings	A	1,2	5-153X*	5-1310-1X* 5-1310X**	15-153X
	Impala	Exc. Wagon; 2 Piece Driveshaft	D	1,2,3	5-3147X*	5-795X**	15-3147X
1973	Impala	Exc. Wagon; w/ Machined Yokes	D	CV	211009X		
1974-1976	Impala	Exc. Wagon; w/ Inside Snap Rings	D	CV	211009X		
1976	Impala	2 Piece Driveshaft	D	1,2,3	5-3147X*	5-795X**	15-3147X
1977	Impala	1 Piece Driveshaft	A	1,2	5-3147X*	5-795X**	15-3147X
1978-1979	Impala		A	1,2	5-3147X*	5-795X**	15-3147X
1979	Impala		D	CV	211009X		
1994-1996	Impala	w/ Inside Snap Rings	A	1,2	5-3147X*	5-795X**	15-3147X
	Impala	w/ Outside Snap Rings	A	1,2	5-178X*	5-1350-1X* 5-1350X**	15-178X
1973-1975	Laguna		A	1,2	5-3147X*	5-795X**	15-3147X
1976	Laguna	w/ Inside Snap Rings	A	1,2	5-3147X*	5-795X**	15-3147X
	Laguna	w/ Outside Snap Rings	A	1,2	5-178X*	5-1350-1X* 5-1350X**	15-178X

\* GREASEABLE \*\* NON-GREASEABLE





PASSENGER

**Chevrolet (Cont'd)**

Year	Model	Description	Fig.	Location	Spicer Part #	SPL Part #	SVL Part #
1964-1967	Malibu		A	1,2	5-153X*	5-1310-1X* 5-1310X**	15-153X
1973-1975	Malibu		A	1,2	5-3147X*	5-795X**	15-3147X
1976-1983	Malibu	w/ Inside Snap Rings	A	1,2	5-3147X*	5-795X**	15-3147X
	Malibu	w/ Outside Snap Rings	A	1,2	5-178X*	5-1350-1X* 5-1350X**	15-178X
1970	Monte Carlo		A	1,2	5-153X*	5-1310-1X* 5-1310X**	15-153X
1971-1972	Monte Carlo	7.4L	A	1	5-3147X*	5-795X**	15-3147X
	Monte Carlo	5.7L; 6.6L	A	1,2	5-153X*	5-1310-1X* 5-1310X**	15-153X
	Monte Carlo	7.4L	A	2	5-212X*	5-793X**	
1973-1975	Monte Carlo		A	1,2	5-3147X*	5-795X**	15-3147X
1976-1988	Monte Carlo	w/ Inside Snap Rings	A	1,2	5-3147X*	5-795X**	15-3147X
	Monte Carlo	w/ Outside Snap Rings	A	1,2	5-178X*	5-1350-1X* 5-1350X**	15-178X
1975-1980	Monza		A	1,2	5-153X*	5-1310-1X* 5-1310X**	15-153X
1969-1979	Nova		A	1,2	5-153X*	5-1310-1X* 5-1310X**	15-153X
1971-1977	Vega		A	1,2	5-153X*	5-1310-1X* 5-1310X**	15-153X

**Chrysler**

Year	Model	Description	Fig.	Location	Spicer Part #	SPL Part #	SVL Part #
1958-1964	300		A	2	5-3228X	5-789X	
1965	300	Standard Trans	A	2	5-3228X	5-789X	
1987-1989	Conquest		A	1,2	5-3217X		
1975-1978	Cordoba	w/ 2.125" Snap Ring	A	1,2	5-3228X	5-789X	
	Cordoba	w/ 2.625" Snap Ring	A	1,2	5-1309X	5-811X	
1979-1983	Cordoba		A	1,2	5-3228X	5-789X	
1983-1989	Fifth Avenue		A	1,2	5-3228X	5-789X	
1957	Imperial		S	2	5-3228X	5-789X	
1958	Imperial		S	2,3	5-3228X	5-789X	
1959	Imperial	1 Piece Driveshaft	A	1,2	5-3228X	5-789X	
	Imperial	2 Piece Driveshaft	S	2,3	5-3228X	5-789X	
1960-1964	Imperial		A	1,2	5-3228X	5-789X	

\* GREASEABLE \*\* NON-GREASEABLE

**Chrysler (Cont'd)**

Year	Model	Description	Fig.	Location	Spicer Part #	SPL Part #	SVL Part #
1965-1969	Imperial		A	1,2	5-213X*	5-1330-1X* 5-1330X**	15-213X
1970-1973	Imperial	w/ Inside Snap Rings	A	1,2	5-1309X	5-811X	
	Imperial	w/ Outside Snap Rings	H	1,2,3,4	5-213X*	5-1330-1X* 5-1330X**	15-213X
1974-1975	Imperial		A	1,2	5-1309X	5-811X	
1981-1983	Imperial		A	1,2	5-3228X	5-789X	
1977-1981	LeBaron		A	1,2	5-3228X	5-789X	
1958-1966	New Yorker		A	2	5-3228X	5-789X	
1965-1966	New Yorker		A	1	5-213X*	5-1330-1X* 5-1330X**	15-213X
1967	New Yorker	w/ Inside Snap Rings	A	1,2	5-3228X	5-789X	
	New Yorker	w/ Outside Snap Rings	A	1,2	5-213X*	5-1330-1X* 5-1330X**	15-213X
1975-1976	New Yorker	6.6L; w/ 2.125" Snap Ring	A	1,2	5-3228X	5-789X	
	New Yorker	6.6L; w/ 2.625" Snap Ring	A	1,2	5-1309X	5-811X	
	New Yorker	7.2L	A	1,2	5-1309X	5-811X	
1977	New Yorker		A	1,2	5-1309X	5-811X	
1978	New Yorker	w/ 2.125" Snap Ring	A	1,2	5-3228X	5-789X	
	New Yorker	w/ 2.625" Snap Ring	A	1,2	5-1309X	5-811X	
1979-1982	New Yorker		A	1,2	5-3228X	5-789X	
1958-1964	Newport		A	2	5-3228X	5-789X	
1965-1967	Newport	w/ Inside Snap Rings	A	1,2	5-3228X	5-789X	
	Newport	w/ Outside Snap Rings	A	1,2	5-213X*	5-1330-1X* 5-1330X**	15-213X
1968-1974	Newport	w/ 2.125" Snap Ring	A	1,2	5-3228X	5-789X	
	Newport	w/ 2.625" Snap Ring	A	1,2	5-1309X	5-811X	
1975-1981	Newport		A	1,2	5-3228X	5-789X	
1958-1960	Saratoga		A	2	5-3228X	5-789X	
1958-1961	Windsor		A	2	5-3228X	5-789X	

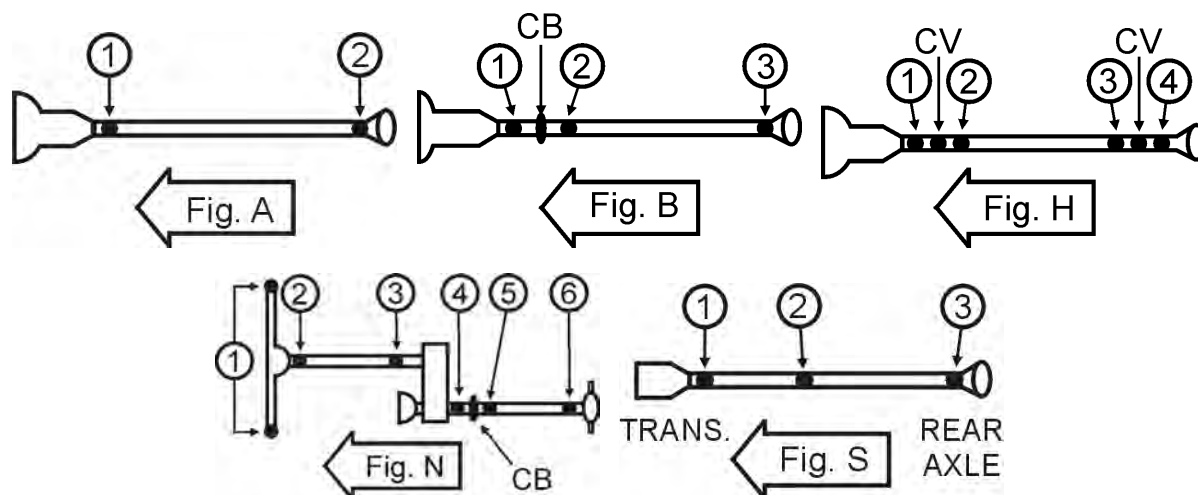
**Daimler**

Year	Model	Description	Fig.	Location	Spicer Part #	SPL Part #	SVL Part #
1965-1969	250		A	1,2	5-153X*	5-1310-1X* 5-1310X**	15-153X
1956-1959	DK400	Includes DK400B	A	1,2	5-178X*	5-1350-1X* 5-1350X**	15-178X
1963-1967	SP250		A	1,2	5-153X*	5-1310-1X* 5-1310X**	15-153X

**Dodge**

Year	Model	Description	Fig.	Location	Spicer Part #	SPL Part #	SVL Part #
1976-1980	Aspen		A	1,2	5-3228X	5-789X	
1970-1972	Challenger	w/ 2.125" Snap Ring	A	1,2	5-3228X	5-789X	
	Challenger	w/ 2.625" Snap Ring	A	1,2	5-1309X	5-811X	
1973-1974	Challenger		A	1,2	5-3228X	5-789X	
1978-1980	Challenger		A	1,2	5-3217X		
1981-1983	Challenger	Auto Trans	B	1,2,3	5-1503X		
	Challenger	Standard Trans	B	1,2,3	5-3217X		
1966	Charger	5.2L; 5.9L; 6.3L	A	1,2	5-3228X	5-789X	
1966-1967	Charger	7.0L; w/ Inside Snap Rings	A	1,2	5-1309X	5-811X	
	Charger	7.0L; w/ Outside Snap Rings	A	1,2	5-213X*	5-1330-1X* 5-1330X**	15-213X
1967	Charger	4.5L; 5.2L; 6.3L	A	1,2	5-3228X	5-789X	
1968-1978	Charger	w/ 2.125" Snap Ring	A	1,2	5-3228X	5-789X	
	Charger	w/ 2.625" Snap Ring	A	1,2	5-1309X	5-811X	
1971-1977	Colt		A	1,2	5-1503X		
1978-1979	Colt	Sedan	A	1,2	5-1503X		
1978-1980	Colt	Wagon	A	1,2	5-3217X		

\* GREASEABLE \*\* NON-GREASEABLE



PASSENGER

Dodge (Cont'd)

Year	Model	Description	Fig.	Location	Spicer Part #	SPL Part #	SVL Part #
1985-1990	Colt		N	4,5,6	5-1503X		
1984-1986	Conquest		A	1,2	5-3217X		
1958-1959	Coronet		A	2	5-3228X	5-789X	
1965	Coronet	5.2L; 5.9L; 6.3L; 7.0L	A	1	5-3228X	5-789X	
	Coronet	3.7L; 4.5L; 5.2L; 5.9L; 6.3L; 7.0L	A	2	5-3228X	5-789X	
1966	Coronet	3.7L; 4.5L; 5.2L; 5.9L; 6.3L	A	1,2	5-3228X	5-789X	
1966-1967	Coronet	7.0L; 7.2L; w/ Inside Snap Rings	A	1,2	5-1309X	5-811X	
	Coronet	7.0L; 7.2L; w/ Outside Snap Rings	A	1,2	5-213X*	5-1330-1X* 5-1330X**	15-213X
1967	Coronet	3.7L; 4.5L; 5.2L; 6.3L	A	1,2	5-3228X	5-789X	
1968-1976	Coronet	w/ 2.125" Snap Ring	A	1,2	5-3228X	5-789X	
	Coronet	w/ 2.625" Snap Ring	A	1,2	5-1309X	5-811X	
1960-1965	Dart		A	2	5-3228X	5-789X	
1968-1969	Dart	w/ 2.125" Snap Ring	A	1,2	5-3228X	5-789X	
	Dart	w/ 2.625" Snap Ring	A	1,2	5-1309X	5-811X	
1970-1976	Dart		A	1,2	5-3228X	5-789X	
1977-1989	Diplomat		A	1,2	5-3228X	5-789X	
1978	Magnum	w/ 2.125" Snap Ring	A	1,2	5-3228X	5-789X	
	Magnum	w/ 2.625" Snap Ring	A	1,2	5-1309X	5-811X	
1979	Magnum		A	1,2	5-3228X	5-789X	
1965	Monaco	Auto Trans	A	1,2	5-3228X	5-789X	
1966-1967	Monaco	6.3L	A	1,2	5-3228X	5-789X	
	Monaco	7.2L; w/ Inside Snap Rings	A	1,2	5-1309X	5-811X	
	Monaco	7.2L; w/ Outside Snap Rings	A	1,2	5-213X*	5-1330-1X* 5-1330X**	15-213X
1968-1978	Monaco	w/ 2.125" Snap Ring	A	1,2	5-3228X	5-789X	
	Monaco	w/ 2.625" Snap Ring	A	1,2	5-1309X	5-811X	
1975-1977	Royal Monaco	w/ 2.125" Snap Ring	A	1,2	5-3228X	5-789X	
	Royal Monaco	w/ 2.625" Snap Ring	A	1,2	5-1309X	5-811X	
1992-1999	Viper		A	1,2	5-178X*	5-1350-1X* 5-1350X**	15-178X
2000	Viper	Exc. Base; 1 Piece Driveshaft	A	1,2	5-178X*	5-1350-1X* 5-1350X**	15-178X
2015-2017	Viper	1 Piece Driveshaft	A	1,2	5-178X*	5-1350-1X* 5-1350X**	15-178X

Eagle

Year	Model	Description	Fig.	Location	Spicer Part #	SPL Part #	SVL Part #
1991-1993	2000 GTX	1 Piece Driveshaft	A	1,2	5-1503X		
	2000 GTX	2 Piece Driveshaft	S	1,2,3	5-1503X		

\* GREASEABLE \*\* NON-GREASEABLE

**Eagle (Cont'd)**

Year	Model	Description	Fig.	Location	Spicer Part #	SPL Part #	SVL Part #
1992-1995	Summit	Wagon; 1 Piece Driveshaft	A	1,2	5-1503X		
1990-1995	Talon	2 Piece Driveshaft	S	1,2,3	5-1503X		

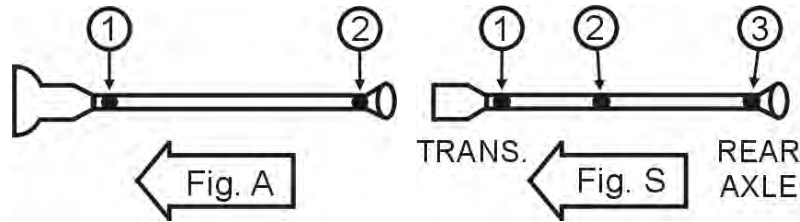
**Fiat**

Year	Model	Description	Fig.	Location	Spicer Part #	SPL Part #	SVL Part #
1965-1967	1100	After Serial # 52603	A	1,2	5-101X		
1966-1980	124		A	1,2	5-101X		
1975-1978	131		A	1,2	5-101X		
1965-1967	1500		A	1,2	5-101X		

**Ford**

Year	Model	Description	Fig.	Location	Spicer Part #	SPL Part #	SVL Part #
1959-1968	Anglia		A	1,2	5-101X		
1962-1964	Consul		A	1,2	5-101X		
1963-1970	Cortina		A	1,2	5-101X		
1950-1958	Country Sedan	w/ Inside Snap Rings	A	2	5-2031X		
1950-1960	Country Sedan	w/ Inside Snap Rings	A	1	5-3242X		
	Country Sedan	w/ Outside Snap Rings	A	1,2	5-153X*	5-1310-1X* 5-1310X**	15-153X
1959-1960	Country Sedan	w/ Inside Snap Rings	A	2	5-2140X		
1961-1962	Country Sedan		A	1	5-1200X		
	Country Sedan		A	2		5-7439X	
1963-1964	Country Sedan	3.6L; 4.3L; 4.7L	A	1	5-1200X		
	Country Sedan	3.6L; 4.3L; 4.7L	A	2		5-7439X	
1963-1965	Country Sedan	5.8L	A	1		5-7439X	
	Country Sedan	6.4L; 7.0L	A	1	5-1203X*		
	Country Sedan	6.4L; 7.0L	A	2	5-1204X*	5-7438X	15-1204X
1965	Country Sedan	2.8L; 3.3L; 3.9L; 4.3L; 4.7L	A	1	5-1200X		
	Country Sedan	2.8L; 3.3L; 3.9L; 4.3L; 4.7L	A	2		5-7439X	
1966-1974	Country Sedan	w/ 3.500" O.D. Yoke	A	1	5-153X*	5-1310-1X* 5-1310X**	15-153X
	Country Sedan	w/ 3.875" O.D. Yoke	A	1	5-213X*	5-1330-1X* 5-1330X**	15-213X
	Country Sedan	w/ 3.500" O.D. Yoke	A	2		5-7439X	
	Country Sedan	w/ 3.875" O.D. Yoke	A	2	5-1204X*	5-7438X	15-1204X
1950-1958	Country Squire	w/ Inside Snap Rings	A	2	5-2031X		
1950-1960	Country Squire	w/ Inside Snap Rings	A	1	5-3242X		
	Country Squire	w/ Outside Snap Rings	A	1,2	5-153X*	5-1310-1X* 5-1310X**	15-153X
1959-1960	Country Squire	w/ Inside Snap Rings	A	2	5-2140X		
1961-1962	Country Squire		A	1	5-1200X		
	Country Squire		A	2		5-7439X	
1963	Country Squire	3.6L; 4.3L; 4.7L; 5.8L; 6.4L; 6.6L; 7.0L; To 5/63	A	1	5-1200X		
	Country Squire	6.4L; 6.6L; 7.0L; From 6/63	A	1	5-1203X*		
	Country Squire	3.6L; 4.3L; 4.7L; 5.8L; 6.4L; 6.6L; 7.0L; To 5/63	A	2		5-7439X	
	Country Squire	6.4L; 6.6L; 7.0L; From 6/63	A	2	5-1204X*	5-7438X	15-1204X
1964	Country Squire	3.6L; 4.3L; 4.7L; 5.8L	A	1	5-1200X		
	Country Squire	3.6L; 4.3L; 4.7L; 5.8L	A	2		5-7439X	
1964-1965	Country Squire	6.4L; 7.0L	A	1	5-1203X*		
	Country Squire	6.4L; 7.0L	A	2	5-1204X*	5-7438X	15-1204X
1965	Country Squire	2.8L; 3.3L; 3.9L; 4.3L; 4.7L; 5.8L	A	1	5-1200X		
	Country Squire	2.8L; 3.3L; 3.9L; 4.3L; 4.7L; 5.8L	A	2		5-7439X	
1966-1974	Country Squire	w/ 3.500" O.D. Yoke	A	1	5-153X*	5-1310-1X* 5-1310X**	15-153X
	Country Squire	w/ 3.875" O.D. Yoke	A	1	5-213X*	5-1330-1X* 5-1330X**	15-213X
	Country Squire	w/ 3.500" O.D. Yoke	A	2		5-7439X	

\* GREASEABLE \*\* NON-GREASEABLE



**Ford (Cont'd)**

Year	Model	Description	Fig.	Location	Spicer Part #	SPL Part #	SVL Part #
1966-1974	Country Squire	w/ 3.875" O.D. Yoke	A	2	5-1204X*	5-7438X	15-1204X
1950-1954	Crestline	w/ Inside Snap Rings	A	1	5-3242X		
	Crestline	w/ Outside Snap Rings	A	1,2	5-153X*	5-1310-1X* 5-1310X**	15-153X
	Crestline	w/ Inside Snap Rings	A	2	5-2031X		
1992-1994	Crown Victoria	w/ Trailer Towing Package	A	1,2	5-1203X*		
	Crown Victoria	w/o Trailer Towing Package	A	1,2	5-153X*	5-1310-1X* 5-1310X**	15-153X
1995-1999	Crown Victoria		A	1,2	5-213X*	5-1330-1X* 5-1330X**	15-213X
2000-2002	Crown Victoria	1 Piece Driveshaft	A	1,2	5-213X*	5-1330-1X* 5-1330X**	15-213X
2003	Crown Victoria	Exc. Police Interceptor; 1 Piece Driveshaft; Aluminum Driveshaft	A	1,2	5-178X*	5-1350-1X* 5-1350X**	15-178X
	Crown Victoria	Exc. Police Interceptor; 1 Piece Driveshaft; Exc. Aluminum Driveshaft	A	1,2	5-3253X		
	Crown Victoria	Police Interceptor; 1 Piece Driveshaft	A	1,2	5-213X*	5-1330-1X* 5-1330X**	15-213X
2004	Crown Victoria	1 Piece Driveshaft; Aluminum Driveshaft	A	1,2	5-178X*	5-1350-1X* 5-1350X**	15-178X
2004-2005	Crown Victoria	1 Piece Driveshaft; Exc. Aluminum Driveshaft	A	1,2	5-3253X		
2005	Crown Victoria	1 Piece Driveshaft; Aluminum Driveshaft; Optional	A	1	5-178X*	5-1350-1X* 5-1350X**	15-178X
2006	Crown Victoria	1 Piece Driveshaft; From 06/19/2006	A	1	5-178X*	5-1350-1X* 5-1350X**	15-178X
	Crown Victoria	1 Piece Driveshaft; To 06/19/2006	A	2	5-3253X		
2007-2011	Crown Victoria	1 Piece Driveshaft	A	1,2	5-178X*	5-1350-1X* 5-1350X**	15-178X
1957	Custom	w/ Inside Snap Rings	A	1	5-3242X		
	Custom	w/ Outside Snap Rings	A	1,2	5-153X*	5-1310-1X* 5-1310X**	15-153X
	Custom	w/ Inside Snap Rings	A	2	5-2031X		
1964	Custom	3.6L; 4.3L; 4.7L; 5.8L	A	1	5-1200X		
	Custom	3.6L; 4.3L; 4.7L; 5.8L	A	2		5-7439X	
1964-1965	Custom	6.4L; 7.0L	A	1	5-1203X*		
	Custom	6.4L; 7.0L	A	2	5-1204X*	5-7438X	15-1204X
1965	Custom	3.9L; 4.3L; 4.7L; 5.8L	A	1	5-1200X		
	Custom	3.9L; 4.3L; 4.7L; 5.8L	A	2		5-7439X	
1966-1972	Custom	w/ 3.500" O.D. Yoke	A	1	5-153X*	5-1310-1X* 5-1310X**	15-153X
	Custom	w/ 3.875" O.D. Yoke	A	1	5-213X*	5-1330-1X* 5-1330X**	15-213X
	Custom	w/ 3.500" O.D. Yoke	A	2		5-7439X	
	Custom	w/ 3.875" O.D. Yoke	A	2	5-1204X*	5-7438X	15-1204X
1957-1959	Custom 300		A	1	5-153X*	5-1310-1X* 5-1310X**	15-153X
	Custom 300	w/ 2 Inside Snap Rings & 2 Wing Bearings	A	2	5-2031X		
	Custom 300	w/ Outside Snap Rings	A	2	5-153X*	5-1310-1X* 5-1310X**	15-153X
1960	Custom 300		A	1,2	5-153X*	5-1310-1X* 5-1310X**	15-153X
1964	Custom 500	4.3L; 4.7L; 5.8L	A	1	5-1200X		

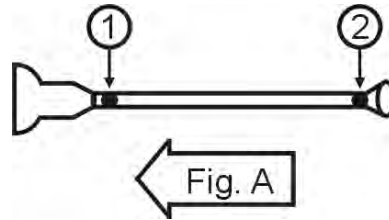
\* GREASEABLE \*\* NON-GREASEABLE

**Ford (Cont'd)**

PASSENGER

Year	Model	Description	Fig.	Location	Spicer Part #	SPL Part #	SVL Part #
1964	Custom 500	6.4L	A	1	5-1203X*		
	Custom 500	4.3L; 4.7L; 5.8L	A	2		5-7439X	
	Custom 500	6.4L	A	2	5-1204X*	5-7438X	15-1204X
1965	Custom 500	7.0L	A	1	5-1203X*		
	Custom 500	7.0L	A	2	5-1204X*	5-7438X	15-1204X
1965-1966	Custom 500	3.9L; 4.7L; 5.8L	A	1	5-1200X		
	Custom 500	3.9L; 4.7L; 5.8L	A	2		5-7439X	
1966-1969	Custom 500	6.4L; 7.0L	A	1	5-1203X*		
1966-1970	Custom 500	6.4L; 7.0L	A	2	5-1204X*	5-7438X	15-1204X
1967	Custom 500	3.9L; 4.7L	A	1	5-1200X		
	Custom 500	3.9L; 4.7L	A	2		5-7439X	
1968	Custom 500	3.9L; 5.0L	A	1	5-1200X		
	Custom 500	3.9L; 5.0L	A	2		5-7439X	
1969	Custom 500	3.9L; 5.0L; 5.8L	A	1	5-1200X		
1969-1972	Custom 500	3.9L; 5.0L; 5.8L	A	2		5-7439X	
1970	Custom 500	6.4L; 7.0L	A	1	5-213X*	5-1330-1X* 5-1330X**	15-213X
1970-1972	Custom 500	3.9L; 5.0L; 5.8L	A	1	5-153X*	5-1310-1X* 5-1310X**	15-153X
1971-1972	Custom 500	6.6L	A	1	5-213X*	5-1330-1X* 5-1330X**	15-213X
	Custom 500	6.6L	A	2	5-1204X*	5-7438X	15-1204X
1975-1976	Custom 500	5.8L; 6.6L; 7.5L; w/ 3.875" O.D. Yoke	A	1	5-213X*	5-1330-1X* 5-1330X**	15-213X
	Custom 500	5.8L; 6.6L; 7.5L; w/ 3.875" O.D. Yoke	A	2	5-1204X*	5-7438X	15-1204X
1975-1977	Custom 500	5.8L; w/ 3.500" O.D. Yoke	A	1	5-153X*	5-1310-1X* 5-1310X**	15-153X
	Custom 500	5.8L; w/ 3.500" O.D. Yoke	A	2		5-7439X	
1977	Custom 500	5.8L; 6.6L; w/ 3.875" O.D. Yoke	A	1	5-213X*	5-1330-1X* 5-1330X**	15-213X
	Custom 500	5.8L; 6.6L; w/ 3.875" O.D. Yoke	A	2	5-1204X*	5-7438X	15-1204X
1952-1956	Customline	w/ Inside Snap Rings	A	1	5-3242X		
	Customline	w/ 2 Inside Snap Rings & 2 Wing Bearings	A	2	5-2031X		
1956	Customline	w/ Outside Snap Rings	A	1,2	5-153X*	5-1310-1X* 5-1310X**	15-153X
1949-1951	Deluxe	w/ Inside Snap Rings	A	1	5-3242X		
	Deluxe	w/ Outside Snap Rings	A	1,2	5-153X*	5-1310-1X* 5-1310X**	15-153X
	Deluxe	w/ Inside Snap Rings	A	2	5-2031X		
1975-1976	Elite	5.8L; w/ 3.500" O.D. Yoke	A	1	5-153X*	5-1310-1X* 5-1310X**	15-153X
	Elite	5.8L; w/ 3.875" O.D. Yoke	A	1	5-213X*	5-1330-1X* 5-1330X**	15-213X
	Elite	6.6L; 7.5L	A	1	5-213X*	5-1330-1X* 5-1330X**	15-213X
	Elite	5.8L; w/ 3.500" O.D. Yoke	A	2		5-7439X	
	Elite	5.8L; w/ 3.875" O.D. Yoke	A	2	5-1204X*	5-7438X	15-1204X
	Elite	6.6L; 7.5L	A	2	5-1204X*	5-7438X	15-1204X
1955-1958	Fairlane	w/ Inside Snap Rings	A	2	5-2031X		
1955-1960	Fairlane	w/ Inside Snap Rings	A	1	5-3242X		
	Fairlane	w/ Outside Snap Rings	A	1,2	5-153X*	5-1310-1X* 5-1310X**	15-153X
1959-1960	Fairlane	w/ Inside Snap Rings	A	2	5-2140X		
1961-1962	Fairlane		A	1	5-1200X		
	Fairlane		A	2		5-7439X	
	Fairlane		A	2			
1963	Fairlane	2.8L; 3.3L; 3.6L; 4.3L; 4.7L; 5.8L	A	1	5-1200X		
	Fairlane	6.4L; From 6/63	A	1	5-1203X*		
	Fairlane	6.4L; To 5/63	A	1	5-1200X		
	Fairlane	2.8L; 3.3L; 3.6L; 4.3L; 4.7L; 5.8L	A	2		5-7439X	
	Fairlane	6.4L; From 6/63	A	2	5-1204X*	5-7438X	15-1204X
	Fairlane	6.4L; To 5/63	A	2		5-7439X	

\* GREASEABLE \*\* NON-GREASEABLE


**Ford (Cont'd)**

Year	Model	Description	Fig.	Location	Spicer Part #	SPL Part #	SVL Part #
1964	Fairlane	2.8L; 3.3L; 4.3L; 4.7L; 5.8L	A	1	5-1200X		
	Fairlane	2.8L; 3.3L; 4.3L; 4.7L; 5.8L	A	2		5-7439X	
1964-1965	Fairlane	6.4L; 7.0L	A	1	5-1203X*		
	Fairlane	6.4L; 7.0L	A	2	5-1204X*	5-7438X	15-1204X
1965	Fairlane	2.8L; 3.3L; 4.7L; 5.8L	A	1	5-1200X		
	Fairlane	2.8L; 3.3L; 4.7L; 5.8L	A	2		5-7439X	
1966-1970	Fairlane	w/ 3.500" O.D. Yoke	A	1	5-153X*	5-1310-1X* 5-1310X**	15-153X
	Fairlane	w/ 3.875" O.D. Yoke	A	1	5-213X*	5-1330-1X* 5-1330X**	15-213X
	Fairlane	w/ 3.500" O.D. Yoke	A	2		5-7439X	
	Fairlane	w/ 3.875" O.D. Yoke	A	2	5-1204X*	5-7438X	15-1204X
1978-1983	Fairmont		A	1,2	5-153X*	5-1310-1X* 5-1310X**	15-153X
1960-1962	Falcon		A	1,2	5-105X		
1963-1964	Falcon	w/ Inside & Outside Snap Rings	A	1	5-1200X		
	Falcon	w/ Inside Snap Rings	A	1,2	5-105X		
	Falcon	w/ Inside & Outside Snap Rings	A	2		5-7439X	
1965-1967	Falcon	4.7L; w/ Inside & Outside Snap Rings	A	1	5-1200X		
	Falcon	4.7L; w/ Inside Snap Rings	A	1,2	5-105X		
	Falcon	4.7L; w/ Inside & Outside Snap Rings	A	2		5-7439X	
1965-1968	Falcon	3.3L; w/ Inside & Outside Snap Rings	A	1	5-1200X		
	Falcon	2.8L	A	1,2	5-105X		
	Falcon	3.3L; w/ Inside Snap Rings	A	1,2	5-105X		
	Falcon	3.3L; w/ Inside & Outside Snap Rings	A	2		5-7439X	
1968	Falcon	4.7L	A	1	5-1200X		
	Falcon	5.0L	A	1	5-1200X		
	Falcon	4.7L	A	2		5-7439X	
	Falcon	5.0L	A	2		5-7439X	
	Falcon		A	1	5-153X*	5-1310-1X* 5-1310X**	15-153X
1969-1970	Falcon		A	2		5-7439X	
	Falcon		A	1	5-3242X		
1959-1960	Galaxie	w/ Inside Snap Rings	A	1,2	5-153X*	5-1310-1X* 5-1310X**	15-153X
	Galaxie	w/ Outside Snap Rings	A	2	5-2140X		
	Galaxie	w/ Inside Snap Rings	A	1	5-1200X		
1961-1962	Galaxie		A	2		5-7439X	
	Galaxie		A	1	5-1200X		
1963	Galaxie	3.3L; 3.6L; 4.3L; 4.7L; 5.8L	A	1	5-1200X		
	Galaxie	6.4L; From 6/63	A	1	5-1203X*		
	Galaxie	6.4L; To 5/63	A	1	5-1200X		
	Galaxie	3.3L; 3.6L; 4.3L; 4.7L; 5.8L	A	2		5-7439X	
	Galaxie	6.4L; From 6/63	A	2	5-1204X*	5-7438X	15-1204X
	Galaxie	6.4L; To 5/63	A	2		5-7439X	
1964	Galaxie	3.6L; 4.3L; 4.7L; 5.8L	A	1	5-1200X		
	Galaxie	3.6L; 4.3L; 4.7L; 5.8L	A	2		5-7439X	
1964-1965	Galaxie	6.4L; 7.0L	A	1	5-1203X*		
	Galaxie	6.4L; 7.0L	A	2	5-1204X*	5-7438X	15-1204X
1965	Galaxie	3.9L; 4.7L; 5.8L	A	1	5-1200X		
	Galaxie	3.9L; 4.7L; 5.8L	A	2		5-7439X	

\* GREASEABLE \*\* NON-GREASEABLE

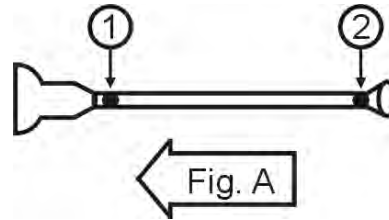
**Ford (Cont'd)**

PASSENGER

Year	Model	Description	Fig.	Location	Spicer Part #	SPL Part #	SVL Part #
1966-1967	Galaxie	w/ 3.500" O.D. Yoke	A	1	5-153X*	5-1310-1X* 5-1310X**	15-153X
	Galaxie	w/ 3.875" O.D. Yoke	A	1	5-213X*	5-1330-1X* 5-1330X**	15-213X
	Galaxie	w/ 3.500" O.D. Yoke	A	2		5-7439X	
	Galaxie	w/ 3.875" O.D. Yoke	A	2	5-1204X*	5-7438X	15-1204X
1962	Galaxie 500	3.7L; Exc. Overdrive	A	1	5-1200X		
	Galaxie 500	3.7L; Overdrive	A	1	5-1203X*		
	Galaxie 500	4.8L; Exc. Overdrive	A	1	5-1200X		
	Galaxie 500	4.8L; Overdrive	A	1	5-1203X*		
	Galaxie 500	5.8L; Exc. Overdrive	A	1	5-1200X		
	Galaxie 500	5.8L; Overdrive	A	1	5-1203X*		
	Galaxie 500	6.4L; Exc. Overdrive	A	1	5-1200X		
	Galaxie 500	6.4L; Overdrive	A	1	5-1203X*		
	Galaxie 500	6.7L; Exc. Overdrive	A	1	5-1200X		
	Galaxie 500	6.7L; Overdrive	A	1	5-1203X*		
	Galaxie 500	3.7L; Exc. Overdrive	A	2		5-7439X	
	Galaxie 500	3.7L; Overdrive	A	2	5-1204X*	5-7438X	15-1204X
	Galaxie 500	4.8L; Exc. Overdrive	A	2		5-7439X	
	Galaxie 500	4.8L; Overdrive	A	2	5-1204X*	5-7438X	15-1204X
	Galaxie 500	5.8L; Exc. Overdrive	A	2		5-7439X	
	Galaxie 500	5.8L; Overdrive	A	2	5-1204X*	5-7438X	15-1204X
	Galaxie 500	6.4L; Exc. Overdrive	A	2		5-7439X	
	Galaxie 500	6.4L; Overdrive	A	2	5-1204X*	5-7438X	15-1204X
	Galaxie 500	6.7L; Exc. Overdrive	A	2		5-7439X	
	Galaxie 500	6.7L; Overdrive	A	2	5-1204X*	5-7438X	15-1204X
1963-1967	Galaxie 500	4.7L	A	1	5-1200X		
	Galaxie 500	4.7L	A	2		5-7439X	
1963-1971	Galaxie 500	6.4L	A	1	5-1203X*		
	Galaxie 500	6.4L	A	2	5-1204X*	5-7438X	15-1204X
1965-1968	Galaxie 500	7.0L	A	1	5-1203X*		
	Galaxie 500	7.0L	A	2	5-1204X*	5-7438X	15-1204X
1965-1972	Galaxie 500	3.9L	A	1	5-1200X		
	Galaxie 500	3.9L	A	2		5-7439X	
1968-1972	Galaxie 500	5.0L	A	1	5-1200X		
	Galaxie 500	5.0L	A	2		5-7439X	
1969-1972	Galaxie 500	5.8L	A	1	5-153X*	5-1310-1X* 5-1310X**	15-153X
	Galaxie 500	5.8L	A	2		5-7439X	
1971-1974	Galaxie 500	6.6L	A	1	5-1203X*		
	Galaxie 500	6.6L	A	2	5-1204X*	5-7438X	15-1204X
1973-1974	Galaxie 500	5.8L; w/ 3.219" Yoke	A	1	5-1200X		
	Galaxie 500	5.8L; w/ 3.625" Yoke	A	1	5-1203X*		
	Galaxie 500	7.5L	A	1	5-1203X*		
	Galaxie 500	5.8L; w/ 3.219" Yoke	A	2		5-7439X	
	Galaxie 500	5.8L; w/ 3.625" Yoke	A	2	5-1204X*	5-7438X	15-1204X
	Galaxie 500	7.5L	A	2	5-1204X*	5-7438X	15-1204X
1975-1977	Granada	w/ 3.500" O.D. Yoke	A	1	5-153X*	5-1310-1X* 5-1310X**	15-153X
	Granada	w/ 3.875" O.D. Yoke	A	1	5-213X*	5-1330-1X* 5-1330X**	15-213X
	Granada	w/ 3.500" O.D. Yoke	A	2		5-7439X	
	Granada	w/ 3.875" O.D. Yoke	A	2	5-1204X*	5-7438X	15-1204X
1978-1980	Granada		A	1	5-153X*	5-1310-1X* 5-1310X**	15-153X
	Granada		A	2		5-7439X	
1981-1982	Granada		A	1,2	5-153X*	5-1310-1X* 5-1310X**	15-153X
1965	LTD	6.4L; 7.0L	A	1	5-1203X*		
	LTD	6.4L; 7.0L	A	2	5-1204X*	5-7438X	15-1204X

\* GREASEABLE \*\* NON-GREASEABLE





## Ford (Cont'd)

Year	Model	Description	Fig.	Location	Spicer Part #	SPL Part #	SVL Part #
1966-1974	LTD	w/ 3.500" O.D. Yoke	A	1	5-153X*	5-1310-1X* 5-1310X**	15-153X
	LTD	w/ 3.875" O.D. Yoke	A	1	5-213X*	5-1330-1X* 5-1330X**	15-213X
	LTD	w/ 3.500" O.D. Yoke	A	2		5-7439X	
	LTD	w/ 3.875" O.D. Yoke	A	2	5-1204X*	5-7438X	15-1204X
1975-1978	LTD	5.8L; w/ 3.500" O.D. Yoke	A	1	5-153X*	5-1310-1X* 5-1310X**	15-153X
	LTD	5.8L; w/ 3.875" O.D. Yoke	A	1	5-213X*	5-1330-1X* 5-1330X**	15-213X
	LTD	6.6L; 7.5L	A	1	5-213X*	5-1330-1X* 5-1330X**	15-213X
	LTD	5.8L; w/ 3.500" O.D. Yoke	A	2		5-7439X	
	LTD	5.8L; w/ 3.875" O.D. Yoke	A	2	5-1204X*	5-7438X	15-1204X
	LTD	6.6L; 7.5L	A	2	5-1204X*	5-7438X	15-1204X
	LTD	5.0L	A	1	5-153X*	5-1310-1X* 5-1310X**	15-153X
1978	LTD	5.0L	A	2		5-7439X	
	LTD	w/ 3.500" O.D. Yoke	A	1,2	5-153X*	5-1310-1X* 5-1310X**	15-153X
1979-1986	LTD	w/ 3.875" O.D. Yoke	A	1,2	5-213X*	5-1330-1X* 5-1330X**	15-213X
	LTD Crown Victoria	w/ 3.500" O.D. Yoke	A	1,2	5-153X*	5-1310-1X* 5-1310X**	15-153X
1987-1991	LTD Crown Victoria	w/ 3.875" O.D. Yoke	A	1,2	5-213X*	5-1330-1X* 5-1330X**	15-213X
	LTD II		A	1	5-213X*	5-1330-1X* 5-1330X**	15-213X
1977-1978	LTD II		A	2	5-1204X*	5-7438X	15-1204X
	LTD II	w/ Inside Snap Rings	A	1	5-3147X*	5-795X**	15-3147X
1979	LTD II	w/ Outside Snap Rings	A	1	5-213X*	5-1330-1X* 5-1330X**	15-213X
	LTD II	w/ Inside Snap Rings	A	2	5-3255X		
1952-1956	LTD II	w/ Outside Snap Rings	A	2	5-1204X*	5-7438X	15-1204X
	Mainline	w/ Inside Snap Rings	A	1	5-3242X		
1970-1977	Mainline	w/ Outside Snap Rings	A	1,2	5-153X*	5-1310-1X* 5-1310X**	15-153X
	Mainline	w/ Inside Snap Rings	A	2	5-2031X		
	Maverick		A	1	5-153X*	5-1310-1X* 5-1310X**	15-153X
1964-1965	Maverick		A	2		5-7439X	
	Mustang	4.3L; 4.7L; w/ Inside Snap Rings	A	1	5-3242X		
1964-1966	Mustang	4.3L; 4.7L; w/ Outside Snap Rings	A	1	5-153X*	5-1310-1X* 5-1310X**	15-153X
	Mustang	2.8L; 3.3L; Standard Trans	A	1,2	5-105X		
	Mustang	4.3L; 4.7L; w/ Inside Snap Rings	A	2	5-2173X		
	Mustang	4.3L; 4.7L; w/ Outside Snap Rings	A	2		5-7439X	
	Mustang	3.3L; Auto Trans; w/ Inside Snap Rings	A	1	5-3242X		
	Mustang	3.3L; Auto Trans; w/ Outside Snap Rings	A	1	5-153X*	5-1310-1X* 5-1310X**	15-153X
1964-1966	Mustang	3.3L; Auto Trans; w/ Inside Snap Rings	A	2	5-2173X		
	Mustang	3.3L; Auto Trans; w/ Outside Snap Rings	A	2		5-7439X	

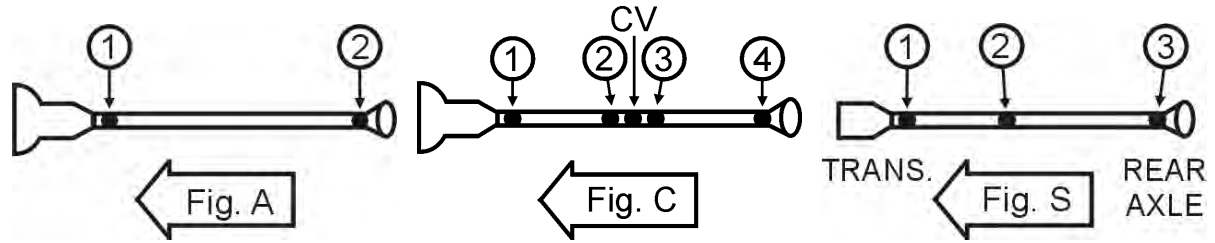
\* GREASEABLE \*\* NON-GREASEABLE

**Ford (Cont'd)**

PASSENGER

Year	Model	Description	Fig.	Location	Spicer Part #	SPL Part #	SVL Part #
1966	Mustang	4.7L; w/ Inside Snap Rings	A	1	5-3242X		
	Mustang	4.7L; w/ Outside Snap Rings	A	1	5-153X*	5-1310-1X* 5-1310X**	15-153X
	Mustang	4.7L; w/ Inside Snap Rings	A	2	5-2173X		
	Mustang	4.7L; w/ Outside Snap Rings	A	2		5-7439X	
1966-1967	Mustang	3.3L; Standard Trans	A	1,2	5-105X		
1967	Mustang	3.3L; Auto Trans	A	1	5-153X*	5-1310-1X* 5-1310X**	15-153X
	Mustang	4.7L	A	1	5-153X*	5-1310-1X* 5-1310X**	15-153X
	Mustang	6.4L	A	1	5-213X*	5-1330-1X* 5-1330X**	15-213X
	Mustang	3.3L; Auto Trans	A	2		5-7439X	
	Mustang	4.7L	A	2		5-7439X	
1967-1969	Mustang	6.4L	A	2	5-1204X*	5-7438X	15-1204X
1968-1969	Mustang	3.3L; 4-Speed	A	1	5-1200X		
	Mustang	5.0L	A	1	5-1200X		
	Mustang	6.4L	A	1	5-1203X*		
	Mustang	7.0L	A	1	5-1203X*		
	Mustang	3.3L; 3-Speed	A	1,2	5-105X		
	Mustang	3.3L; 4-Speed	A	2		5-7439X	
	Mustang	5.0L	A	2		5-7439X	
	Mustang	7.0L	A	2	5-1204X*	5-7438X	15-1204X
	1969	Mustang	4.1L	A	1	5-1200X	
	Mustang	5.8L	A	1	5-1200X		
	Mustang	4.1L	A	2		5-7439X	
	Mustang	5.8L	A	2		5-7439X	
1970-1973	Mustang	w/ 3.500" O.D. Yoke	A	1	5-153X*	5-1310-1X* 5-1310X**	15-153X
	Mustang	w/ 3.875" O.D. Yoke	A	1	5-213X*	5-1330-1X* 5-1330X**	15-213X
	Mustang	w/ 3.500" O.D. Yoke	A	2		5-7439X	
	Mustang	w/ 3.875" O.D. Yoke	A	2	5-1204X*	5-7438X	15-1204X
1979-1986	Mustang		A	1,2	5-153X*	5-1310-1X* 5-1310X**	15-153X
1987-1992	Mustang	2.3L; Auto Trans	A	1,2	5-153X*	5-1310-1X* 5-1310X**	15-153X
	Mustang	2.3L; Standard Trans; w/ 3.500" O.D. Yoke	A	1,2	5-153X*	5-1310-1X* 5-1310X**	15-153X
	Mustang	2.3L; Standard Trans; w/ 3.875" O.D. Yoke	A	1,2	5-213X*	5-1330-1X* 5-1330X**	15-213X
1987-1993	Mustang	5.0L; Auto Trans	A	1,2	5-153X*	5-1310-1X* 5-1310X**	15-153X
	Mustang	5.0L; Standard Trans	A	1,2	5-213X*	5-1330-1X* 5-1330X**	15-213X
1993	Mustang	2.3L	A	1,2	5-153X*	5-1310-1X* 5-1310X**	15-153X
1994	Mustang	5.0L	A	1,2	5-213X*	5-1330-1X* 5-1330X**	15-213X
1994-1995	Mustang	3.8L	A	1,2	5-153X*	5-1310-1X* 5-1310X**	15-153X
1995	Mustang	5.0L; 5.8L	A	1,2	5-213X*	5-1330-1X* 5-1330X**	15-213X
1996-1999	Mustang		A	1,2	5-213X*	5-1330-1X* 5-1330X**	15-213X
2002	Mustang	1 Piece Driveshaft	A	1,2	5-213X*	5-1330-1X* 5-1330X**	15-213X
2003	Mustang	Base; 1 Piece Driveshaft	A	1,2	5-213X*	5-1330-1X* 5-1330X**	15-213X
	Mustang	GT; 1 Piece Driveshaft	A	1,2	5-213X*	5-1330-1X* 5-1330X**	15-213X

\* GREASEABLE \*\* NON-GREASEABLE



**Ford (Cont'd)**

Year	Model	Description	Fig.	Location	Spicer Part #	SPL Part #	SVL Part #
2003	Mustang	Mach I; 1 Piece Driveshaft	A	1,2	5-213X*	5-1330-1X* 5-1330X**	15-213X
	Mustang	SVT Cobra 10th Anniversary; 1 Piece Driveshaft	A	1,2	5-178X*	5-1350-1X* 5-1350X**	15-178X
2003-2004	Mustang	SVT Cobra; 1 Piece Driveshaft	A	1,2	5-178X*	5-1350-1X* 5-1350X**	15-178X
2004	Mustang	Exc. SVT Cobra; 1 Piece Driveshaft	A	1,2	5-213X*	5-1330-1X* 5-1330X**	15-213X
2013	Mustang	Boss 302; 2 Piece Driveshaft	S	1	5-178X*	5-1350-1X* 5-1350X**	15-178X
2013-2014	Mustang	Base; 1 Piece Driveshaft	A	1,2	5-178X*	5-1350-1X* 5-1350X**	15-178X
	Mustang	GT; 2 Piece Driveshaft	S	1	5-178X*	5-1350-1X* 5-1350X**	15-178X
2015-2017	Mustang	V6 3.7L; Auto Trans; 1 Piece Driveshaft	A	1	5-178X*	5-1350-1X* 5-1350X**	15-178X
	Mustang	V6 3.7L; Standard Trans; 1 Piece Driveshaft	A	1	5-178X*	5-1350-1X* 5-1350X**	15-178X
	Mustang	L4 2.3L; Auto Trans; 1 Piece Driveshaft	A	1,2	5-178X*	5-1350-1X* 5-1350X**	15-178X
	Mustang	L4 2.3L; Standard Trans; 1 Piece Driveshaft	A	1,2	5-178X*	5-1350-1X* 5-1350X**	15-178X
	Mustang	V6 3.7L; 1 Piece Driveshaft	A	2	5-178X*	5-1350-1X* 5-1350X**	15-178X
	Mustang	V8 5.0L; 2 Piece Driveshaft	S	1	5-178X*	5-1350-1X* 5-1350X**	15-178X
	Mustang	V8 5.2L; 2 Piece Driveshaft	S	1	5-178X*	5-1350-1X* 5-1350X**	15-178X
1971-1979	Pinto		A	1	5-153X*	5-1310-1X* 5-1310X**	15-153X
	Pinto		A	2		5-7439X	
1980	Pinto		A	1,2	5-153X*	5-1310-1X* 5-1310X**	15-153X
1955	Thunderbird		A	1	5-3242X		
	Thunderbird		A	2	5-2031X		
1956-1961	Thunderbird		A	1,2	5-153X*	5-1310-1X* 5-1310X**	15-153X
1962	Thunderbird	w/ Inside Snap Rings	A	1	5-1200X		
	Thunderbird	w/ Outside Snap Rings	A	1	5-153X*	5-1310-1X* 5-1310X**	15-153X
	Thunderbird	w/ Outside Snap Rings	A	2	5-134X*		15-134X
1967	Thunderbird	2 Door	A	1	5-213X*	5-1330-1X* 5-1330X**	15-213X
	Thunderbird	2 Door	A	2	5-1204X*	5-7438X	15-1204X
	Thunderbird	4 Door	C	1,2,3,4	5-213X*	5-1330-1X* 5-1330X**	15-213X

\* GREASEABLE \*\* NON-GREASEABLE

**Ford (Cont'd)**

Year	Model	Description	Fig.	Location	Spicer Part #	SPL Part #	SVL Part #
1968-1971	Thunderbird		H	1,2,3,4	5-3147X*	5-795X**	15-3147X
1973-1976	Thunderbird		A	1,2	5-213X*	5-1330-1X* 5-1330X**	15-213X
1977-1978	Thunderbird		A	1	5-213X*	5-1330-1X* 5-1330X**	15-213X
	Thunderbird		A	2	5-1204X*	5-7438X	15-1204X
1979	Thunderbird	w/ Inside Snap Rings	A	1	5-3147X*	5-795X**	15-3147X
	Thunderbird	w/ Outside Snap Rings	A	1	5-213X*	5-1330-1X* 5-1330X**	15-213X
	Thunderbird	w/ Inside Snap Rings	A	2	5-3255X		
1980-1982	Thunderbird	w/ Outside Snap Rings	A	2	5-1204X*	5-7438X	15-1204X
	Thunderbird		D	1,2,3	5-153X*	5-1310-1X* 5-1310X**	15-153X
1983-1986	Thunderbird		D	CV	211229X		
	Thunderbird		A	1,2	5-153X*	5-1310-1X* 5-1310X**	15-153X
1987-1988	Thunderbird	Turbocharged	A	1,2	5-213X*	5-1330-1X* 5-1330X**	15-213X
1987-1993	Thunderbird	Naturally Aspirated	A	1,2	5-153X*	5-1310-1X* 5-1310X**	15-153X
1989-1993	Thunderbird	Supercharged	A	1,2	5-213X*	5-1330-1X* 5-1330X**	15-213X
1994-1997	Thunderbird		A	1,2	5-213X*	5-1330-1X* 5-1330X**	15-213X
1968-1974	Torino	w/ 3.500" O.D. Yoke	A	1	5-153X*	5-1310-1X* 5-1310X**	15-153X
	Torino	w/ 3.875" O.D. Yoke	A	1	5-213X*	5-1330-1X* 5-1330X**	15-213X
	Torino	w/ 3.500" O.D. Yoke	A	2		5-7439X	
	Torino	w/ 3.875" O.D. Yoke	A	2	5-1204X*	5-7438X	15-1204X
1975-1976	Torino	5.8L; w/ 3.500" O.D. Yoke	A	1	5-153X*	5-1310-1X* 5-1310X**	15-153X
	Torino	5.8L; w/ 3.875" O.D. Yoke	A	1	5-213X*	5-1330-1X* 5-1330X**	15-213X
	Torino	6.6L; 7.5L	A	1	5-213X*	5-1330-1X* 5-1330X**	15-213X
	Torino	5.8L; w/ 3.500" O.D. Yoke	A	2		5-7439X	
	Torino	5.8L; w/ 3.875" O.D. Yoke	A	2	5-1204X*	5-7438X	15-1204X
1958-1963	Zephyr		A	1,2	5-101X		
	Zodiac		A	1,2	5-3214X		

**Hillman**

Year	Model	Description	Fig.	Location	Spicer Part #	SPL Part #	SVL Part #
1955-1966	Husky		A	1,2	5-101X		
1947-1966	Minx		A	1,2	5-101X		

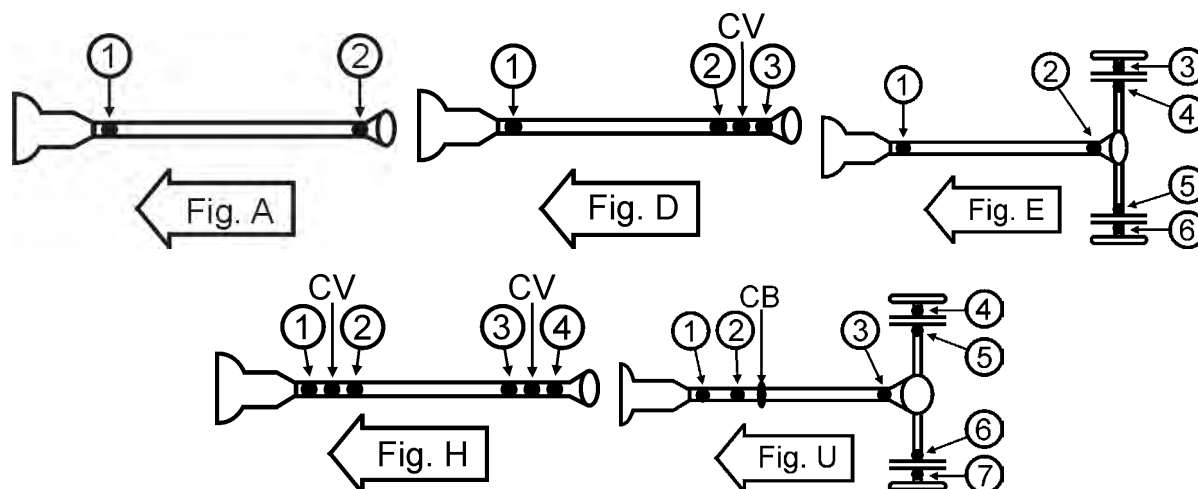
**Hyundai**

Year	Model	Description	Fig.	Location	Spicer Part #	SPL Part #	SVL Part #
1984-1987	Pony		A	1,2	5-443X		
1985-1987	Stellar		A	1,2	5-443X		

**Jaguar**

Year	Model	Description	Fig.	Location	Spicer Part #	SPL Part #	SVL Part #
1955-1967	2.4	1 Piece Driveshaft	E	1,2	5-153X*	5-1310-1X* 5-1310X**	15-153X
	2.4	1 Piece Driveshaft	E	3,4,5,6	5-160X*	5-1410-1X* 5-1410X**	15-160X
	2.4	2 Piece Driveshaft	U	1,2,3	5-153X*	5-1310-1X* 5-1310X**	15-153X

\* GREASEABLE \*\* NON-GREASEABLE



PASSENGER

Jaguar (Cont'd)

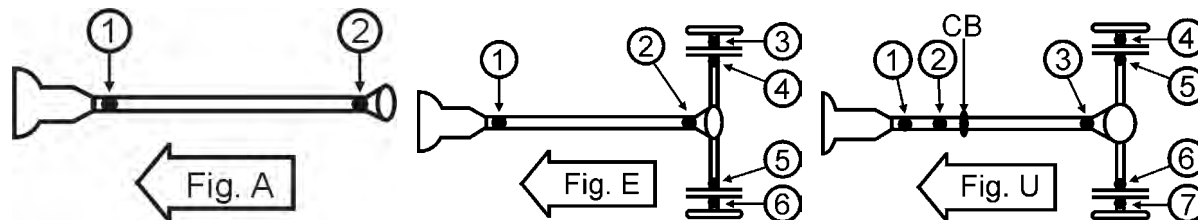
Year	Model	Description	Fig.	Location	Spicer Part #	SPL Part #	SVL Part #
1955-1967	2.4	2 Piece Driveshaft	U	4,5,6,7	5-160X*	5-1410-1X* 5-1410X**	15-160X
1967-1969	240	1 Piece Driveshaft	E	1,2	5-153X*	5-1310-1X* 5-1310X**	15-153X
	240	1 Piece Driveshaft	E	3,4,5,6	5-160X*	5-1410-1X* 5-1410X**	15-160X
	240	2 Piece Driveshaft	U	1,2,3	5-153X*	5-1310-1X* 5-1310X**	15-153X
	240	2 Piece Driveshaft	U	4,5,6,7	5-160X*	5-1410-1X* 5-1410X**	15-160X
1957-1968	3.4	1 Piece Driveshaft	E	1,2	5-153X*	5-1310-1X* 5-1310X**	15-153X
	3.4	1 Piece Driveshaft	E	3,4,5,6	5-160X*	5-1410-1X* 5-1410X**	15-160X
	3.4	2 Piece Driveshaft	U	1,2,3	5-153X*	5-1310-1X* 5-1310X**	15-153X
	3.4	2 Piece Driveshaft	U	4,5,6,7	5-160X*	5-1410-1X* 5-1410X**	15-160X
1960-1969	3.8	1 Piece Driveshaft	E	1,2	5-153X*	5-1310-1X* 5-1310X**	15-153X
	3.8	1 Piece Driveshaft	E	3,4,5,6	5-160X*	5-1410-1X* 5-1410X**	15-160X
	3.8	2 Piece Driveshaft	U	1,2,3	5-153X*	5-1310-1X* 5-1310X**	15-153X
	3.8	2 Piece Driveshaft	U	4,5,6,7	5-160X*	5-1410-1X* 5-1410X**	15-160X
1967-1970	340	1 Piece Driveshaft	E	1,2	5-153X*	5-1310-1X* 5-1310X**	15-153X
	340	1 Piece Driveshaft	E	3,4,5,6	5-160X*	5-1410-1X* 5-1410X**	15-160X
	340	2 Piece Driveshaft	U	1,2,3	5-153X*	5-1310-1X* 5-1310X**	15-153X
	340	2 Piece Driveshaft	U	4,5,6,7	5-160X*	5-1410-1X* 5-1410X**	15-160X
1967-1968	420	1 Piece Driveshaft	E	1,2	5-153X*	5-1310-1X* 5-1310X**	15-153X
	420	1 Piece Driveshaft	E	3,4,5,6	5-160X*	5-1410-1X* 5-1410X**	15-160X
	420	2 Piece Driveshaft	U	1,2,3	5-153X*	5-1310-1X* 5-1310X**	15-153X
	420	2 Piece Driveshaft	U	4,5,6,7	5-160X*	5-1410-1X* 5-1410X**	15-160X
1953	C-Type	1 Piece Driveshaft	E	3,4,5,6	5-160X*	5-1410-1X* 5-1410X**	15-160X

\* GREASEABLE \*\* NON-GREASEABLE

**Jaguar (Cont'd)**

Year	Model	Description	Fig.	Location	Spicer Part #	SPL Part #	SVL Part #
1954-1956	D-Type	1 Piece Driveshaft	E	3,4,5,6	5-160X*	5-1410-1X* 5-1410X**	15-160X
1959-1961	Mark IX	1 Piece Driveshaft	E	3,4,5,6	5-160X*	5-1410-1X* 5-1410X**	15-160X
1953-1957	Mark VII	1 Piece Driveshaft	E	3,4,5,6	5-160X*	5-1410-1X* 5-1410X**	15-160X
1957-1958	Mark VIII	1 Piece Driveshaft	E	3,4,5,6	5-160X*	5-1410-1X* 5-1410X**	15-160X
1962-1966	Mark X	1 Piece Driveshaft	E	1,2	5-153X*	5-1310-1X* 5-1310X**	15-153X
	Mark X	1 Piece Driveshaft	E	3,4,5,6	5-160X*	5-1410-1X* 5-1410X**	15-160X
	Mark X	2 Piece Driveshaft	U	1,2,3	5-153X*	5-1310-1X* 5-1310X**	15-153X
	Mark X	2 Piece Driveshaft	U	4,5,6,7	5-160X*	5-1410-1X* 5-1410X**	15-160X
1974	V12	1 Piece Driveshaft	E	1,2	5-153X*	5-1310-1X* 5-1310X**	15-153X
	V12	1 Piece Driveshaft	E	3,4,5,6	5-160X*	5-1410-1X* 5-1410X**	15-160X
	V12	2 Piece Driveshaft	U	1,2,3	5-153X*	5-1310-1X* 5-1310X**	15-153X
	V12	2 Piece Driveshaft	U	4,5,6,7	5-160X*	5-1410-1X* 5-1410X**	15-160X
1982-1987	Vanden Plas	1 Piece Driveshaft	E	1,2	5-153X*	5-1310-1X* 5-1310X**	15-153X
	Vanden Plas	1 Piece Driveshaft	E	3,4,5,6	5-160X*	5-1410-1X* 5-1410X**	15-160X
	Vanden Plas	2 Piece Driveshaft	U	1,2,3	5-153X*	5-1310-1X* 5-1310X**	15-153X
	Vanden Plas	2 Piece Driveshaft	U	4,5,6,7	5-160X*	5-1410-1X* 5-1410X**	15-160X
1988-1989	Vanden Plas	Driveshaft w/ Staked-in Joints	U	4,5,6,7	5-160X*	5-1410-1X* 5-1410X**	15-160X
1968-1971	XJ	1 Piece Driveshaft	E	1,2	5-153X*	5-1310-1X* 5-1310X**	15-153X
	XJ	1 Piece Driveshaft	E	3,4,5,6	5-160X*	5-1410-1X* 5-1410X**	15-160X
	XJ	2 Piece Driveshaft	U	1,2,3	5-153X*	5-1310-1X* 5-1310X**	15-153X
	XJ	2 Piece Driveshaft	U	4,5,6,7	5-160X*	5-1410-1X* 5-1410X**	15-160X
1981-1987	XJ12	1 Piece Driveshaft	E	1,2	5-153X*	5-1310-1X* 5-1310X**	15-153X
	XJ12	1 Piece Driveshaft	E	3,4,5,6	5-160X*	5-1410-1X* 5-1410X**	15-160X
	XJ12	2 Piece Driveshaft	U	1,2,3	5-153X*	5-1310-1X* 5-1310X**	15-153X
	XJ12	2 Piece Driveshaft	U	4,5,6,7	5-160X*	5-1410-1X* 5-1410X**	15-160X
1988-1989	XJ12	Driveshaft w/ Staked-in Joints	U	4,5,6,7	5-160X*	5-1410-1X* 5-1410X**	15-160X
1972-1987	XJ6	1 Piece Driveshaft	E	1,2	5-153X*	5-1310-1X* 5-1310X**	15-153X
	XJ6	1 Piece Driveshaft	E	3,4,5,6	5-160X*	5-1410-1X* 5-1410X**	15-160X
	XJ6	2 Piece Driveshaft	U	1,2,3	5-153X*	5-1310-1X* 5-1310X**	15-153X
	XJ6	2 Piece Driveshaft	U	4,5,6,7	5-160X*	5-1410-1X* 5-1410X**	15-160X
1988-1989	XJ6	Driveshaft w/ Staked-in Joints	U	4,5,6,7	5-160X*	5-1410-1X* 5-1410X**	15-160X
1976-1987	XJS	1 Piece Driveshaft	E	1,2	5-153X*	5-1310-1X* 5-1310X**	15-153X

\* GREASEABLE \*\* NON-GREASEABLE



**Jaguar (Cont'd)**

Year	Model	Description	Fig.	Location	Spicer Part #	SPL Part #	SVL Part #
1976-1987	XJS	1 Piece Driveshaft	E	3,4,5,6	5-160X*	5-1410-1X* 5-1410X**	15-160X
	XJS	2 Piece Driveshaft	U	1,2,3	5-153X*	5-1310-1X* 5-1310X**	15-153X
	XJS	2 Piece Driveshaft	U	4,5,6,7	5-160X*	5-1410-1X* 5-1410X**	15-160X
1988-1989	XJS	Driveshaft w/ Staked-in Joints	U	4,5,6,7	5-160X*	5-1410-1X* 5-1410X**	15-160X
1953-1954	XK120	1 Piece Driveshaft	E	3,4,5,6	5-160X*	5-1410-1X* 5-1410X**	15-160X
1955-1957	XK140	1 Piece Driveshaft	E	3,4,5,6	5-160X*	5-1410-1X* 5-1410X**	15-160X
1958-1961	XK150	1 Piece Driveshaft	E	3,4,5,6	5-160X*	5-1410-1X* 5-1410X**	15-160X
1961-1974	XKE	1 Piece Driveshaft	E	3,4,5,6	5-160X*	5-1410-1X* 5-1410X**	15-160X
1962-1974	XKE	1 Piece Driveshaft	E	1,2	5-153X*	5-1310-1X* 5-1310X**	15-153X
	XKE	2 Piece Driveshaft	U	1,2,3	5-153X*	5-1310-1X* 5-1310X**	15-153X
	XKE	2 Piece Driveshaft	U	4,5,6,7	5-160X*	5-1410-1X* 5-1410X**	15-160X
1957	XKSS	1 Piece Driveshaft	E	3,4,5,6	5-160X*	5-1410-1X* 5-1410X**	15-160X

**Jensen**

Year	Model	Description	Fig.	Location	Spicer Part #	SPL Part #	SVL Part #
1954-1958	541		A	1,2	5-178X*	5-1350-1X* 5-1350X**	15-178X
1958-1960	541R		A	1,2	5-178X*	5-1350-1X* 5-1350X**	15-178X
1961-1962	541S		A	1,2	5-178X*	5-1350-1X* 5-1350X**	15-178X
1963-1966	C-V8		A	1,2	5-178X*	5-1350-1X* 5-1350X**	15-178X
1967-1970	Interceptor		A	1,2	5-178X*	5-1350-1X* 5-1350X**	15-178X

**Lagonda**

Year	Model	Description	Fig.	Location	Spicer Part #	SPL Part #	SVL Part #
1961-1964	Rapide		A	1,2	5-178X*	5-1350-1X* 5-1350X**	15-178X
	Rapide	w/ Half Shaft	E	3,4,5,6	5-160X*	5-1410-1X* 5-1410X**	15-160X

**Lincoln**

Year	Model	Description	Fig.	Location	Spicer Part #	SPL Part #	SVL Part #
1952-1959	Capri		A	1,2	5-153X*	5-1310-1X* 5-1310X**	15-153X
1958-1960	Continental		A	1,2	5-153X*	5-1310-1X* 5-1310X**	15-153X

\* GREASEABLE \*\* NON-GREASEABLE

PASSENGER

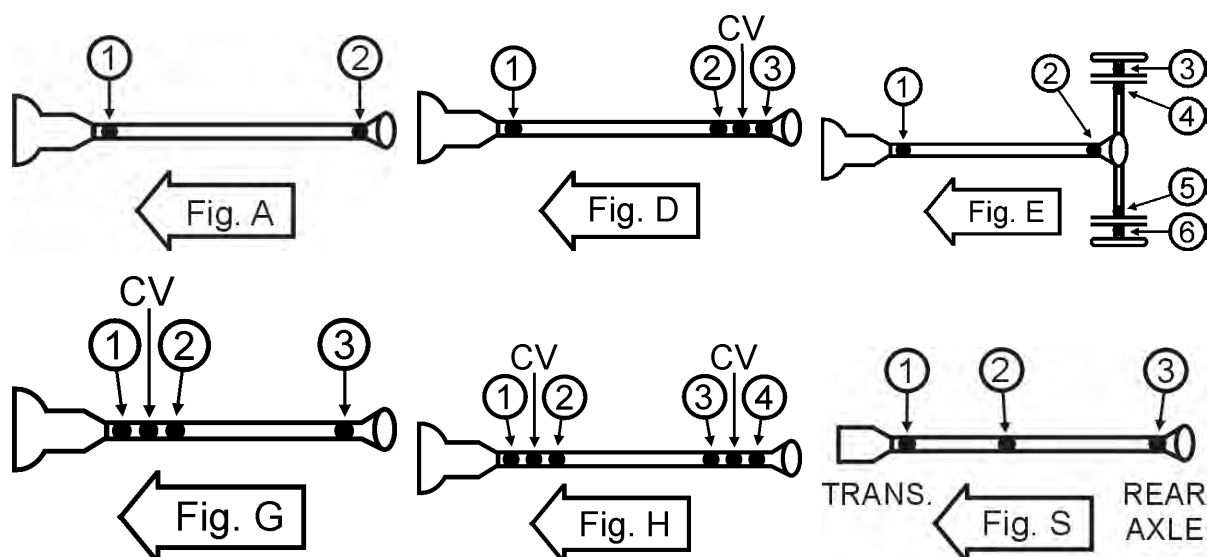
**Lincoln (Cont'd)**

PASSENGER

Year	Model	Description	Fig.	Location	Spicer Part #	SPL Part #	SVL Part #
1961-1962	Continental		A	1	5-153X*	5-1310-1X* 5-1310X**	15-153X
	Continental		A	2	5-134X*		15-134X
1963-1965	Continental		G	1,2,3	5-213X*	5-1330-1X* 5-1330X**	15-213X
1966-1976	Continental		H	1,2,3,4	5-213X*	5-1330-1X* 5-1330X**	15-213X
1977	Continental	From 5/1/77	H	1,2,3,4	5-3147X*	5-795X**	15-3147X
	Continental	To 5/1/77	H	1,2,3,4	5-213X*	5-1330-1X* 5-1330X**	15-213X
1978-1979	Continental	From 5/1/77	H	CV	211009X		
	Continental		H	1,2,3,4	5-3147X*	5-795X**	15-3147X
	Continental		H	CV	211009X		
1980	Continental	w/ Trailer Towing Package	A	1	5-213X*	5-1330-1X* 5-1330X**	15-213X
	Continental	w/o Trailer Towing Package	A	1	5-153X*	5-1310-1X* 5-1310X**	15-153X
	Continental	w/ Trailer Towing Package	A	2	5-1203X*		
	Continental	w/o Trailer Towing Package	A	2	5-1200X		
1982-1983	Continental		D	CV	211229X		
1982-1987	Continental		D	1,2,3	5-153X*	5-1310-1X* 5-1310X**	15-153X
1950-1954	Cosmopolitan		A	1,2	5-153X*	5-1310-1X* 5-1310X**	15-153X
1950-1951	Lincoln		A	1,2	5-153X*	5-1310-1X* 5-1310X**	15-153X
1956-1957	Mark II		A	1,2	5-153X*	5-1310-1X* 5-1310X**	15-153X
1968	Mark III		H	1,2,3,4	5-213X*	5-1330-1X* 5-1330X**	15-213X
1969-1971	Mark III		H	1,2,3,4	5-3147X*	5-795X**	15-3147X
1972-1976	Mark IV		A	1,2	5-213X*	5-1330-1X* 5-1330X**	15-213X
1977	Mark V	From 7/15/77	A	2	5-1204X*	5-7438X	15-1204X
	Mark V	To 7/14/77	A	2	5-213X*	5-1330-1X* 5-1330X**	15-213X
1977-1979	Mark V		A	1	5-213X*	5-1330-1X* 5-1330X**	15-213X
1978-1979	Mark V		A	2	5-1204X*	5-7438X	15-1204X
1980-1983	Mark VI	w/ Trailer Towing Package	A	1,2	5-213X*	5-1330-1X* 5-1330X**	15-213X
	Mark VI	w/o Trailer Towing Package	A	1,2	5-153X*	5-1310-1X* 5-1310X**	15-153X
1984-1992	Mark VII		D	1,2,3	5-153X*	5-1310-1X* 5-1310X**	15-153X
1993-1998	Mark VIII		A	1,2	5-213X*	5-1330-1X* 5-1330X**	15-213X
1956-1959	Premier		A	1,2	5-153X*	5-1310-1X* 5-1310X**	15-153X
1960	Premier		A	1	5-213X*	5-1330-1X* 5-1330X**	15-213X
	Premier		A	2	5-134X*		15-134X
1981-1994	Town Car	w/ Trailer Towing Package	A	1,2	5-213X*	5-1330-1X* 5-1330X**	15-213X
	Town Car	w/o Trailer Towing Package	A	1,2	5-153X*	5-1310-1X* 5-1310X**	15-153X
1995-1999	Town Car		A	1,2	5-213X*	5-1330-1X* 5-1330X**	15-213X
2000-2002	Town Car	1 Piece Driveshaft	A	1,2	5-213X*	5-1330-1X* 5-1330X**	15-213X
2003-2004	Town Car	1 Piece Driveshaft	A	1,2	5-3253X		
2005	Town Car	1 Piece Driveshaft; From 03/18/2005	A	1,2	5-178X*	5-1350-1X* 5-1350X**	15-178X

\* GREASEABLE \*\* NON-GREASEABLE





Lincoln (Cont'd)

Year	Model	Description	Fig.	Location	Spicer Part #	SPL Part #	SVL Part #
2005	Town Car	1 Piece Driveshaft; To 03/18/2005	A	1,2	5-3253X		
2006-2011	Town Car	1 Piece Driveshaft	A	1,2	5-178X*	5-1350-1X* 5-1350X**	15-178X
1977-1978	Versailles		D	1,2,3	5-213X*	5-1330-1X* 5-1330X**	15-213X
1979	Versailles	w/ 3.500" O.D. Yoke	D	1,2,3	5-153X*	5-1310-1X* 5-1310X**	15-153X
	Versailles	w/ 3.875" O.D. Yoke	D	1,2,3	5-213X*	5-1330-1X* 5-1330X**	15-213X
	Versailles	w/ 3.469" O.D. Yoke	D	CV	211198X		
1980	Versailles		D	1,2,3	5-153X*	5-1310-1X* 5-1310X**	15-153X
	Versailles		D	CV	211198X		

Lotus

Year	Model	Description	Fig.	Location	Spicer Part #	SPL Part #	SVL Part #
1962-1971	Elan		E	1,2	5-101X		
1962-1966	Elite		E	1,2	5-101X		

Maserati

Year	Model	Description	Fig.	Location	Spicer Part #	SPL Part #	SVL Part #
1958-1961	3500GT		A	1,2	5-178X*	5-1350-1X* 5-1350X**	15-178X
1962	3500GTI		A	1,2	5-178X*	5-1350-1X* 5-1350X**	15-178X
1958-1961	A6G/2000		A	1,2	5-178X*	5-1350-1X* 5-1350X**	15-178X
1967-1973	Ghibli		A	1,2	5-3214X		
1966-1973	Mexico		A	1,2	5-3214X		
1962	Sebring		A	1,2	5-178X*	5-1350-1X* 5-1350X**	15-178X

Mazda

Year	Model	Description	Fig.	Location	Spicer Part #	SPL Part #	SVL Part #
1970-1972	1200	1 Piece Driveshaft	A	1,2	5-3229X		
	1200	2 Piece Driveshaft	S	1,2,3	5-3229X		
1971-1972	616		A	1,2	5-3229X		

\* GREASEABLE \*\* NON-GREASEABLE

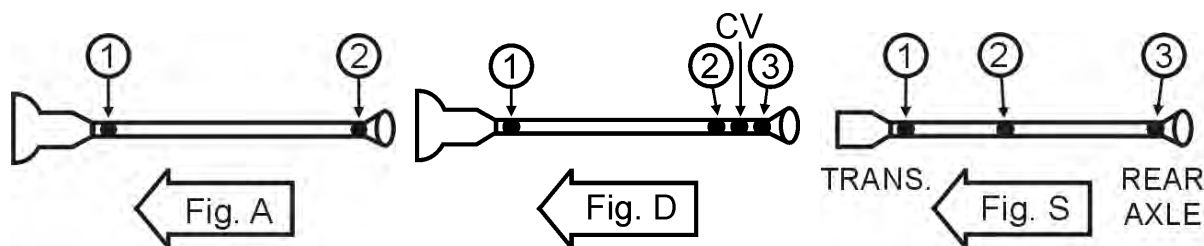
**Mazda (Cont'd)**

Year	Model	Description	Fig.	Location	Spicer Part #	SPL Part #	SVL Part #
1972-1973	618		A	1,2	5-3229X		
1979-1982	626		S	1,2,3	5-3229X		
1972-1977	808		A	1,2	5-3229X		
1977-1981	GLC		A	1,2	5-1514X		
1976-1977	Mizer		A	1,2	5-1514X		
1971-1972	R100		A	1,2	5-3229X		
1971-1974	RX-2		A	1,2	5-3229X		
1972-1978	RX-3		A	1,2	5-3229X		
1979-1983	RX-7		A	1,2	5-3229X		

**Mercury**

Year	Model	Description	Fig.	Location	Spicer Part #	SPL Part #	SVL Part #
1975-1980	Bobcat		A	1	5-1200X		
	Bobcat		A	2		5-7439X	
1979-1986	Capri		A	1,2	5-1200X		
1960-1962	Comet		A	1,2	5-105X		
1963	Comet	4.3L	A	1	5-153X*	5-1310-1X* 5-1310X**	15-153X
	Comet	2.4L; 2.8L; 3.3L	A	1,2	5-105X		
1964	Comet	4.3L	A	2		5-7439X	
	Comet	4.3L; 4.7L	A	1	5-153X*	5-1310-1X* 5-1310X**	15-153X
1965	Comet	2.8L; 3.3L	A	1,2	5-105X		
	Comet	4.3L; 4.7L	A	2		5-7439X	
	Comet	Auto Trans	A	1	5-153X*	5-1310-1X* 5-1310X**	15-153X
1966-1967	Comet	Standard Trans	A	1,2	5-105X		
	Comet	Auto Trans	A	2		5-7439X	
1966-1969	Comet	3.3L; 4.7L	A	1	5-153X*	5-1310-1X* 5-1310X**	15-153X
	Comet	3.3L; 4.7L	A	2		5-7439X	
1968	Comet	6.4L; 7.0L	A	1	5-213X*	5-1330-1X* 5-1330X**	15-213X
	Comet	6.4L; 7.0L	A	2	5-1204X*	5-7438X	15-1204X
1969-1970	Comet	3.3L; 5.0L	A	1	5-153X*	5-1310-1X* 5-1310X**	15-153X
	Comet	3.3L; 4.1L; 5.0L; 5.8L	A	2		5-7439X	
1970	Comet	6.4L	A	1	5-213X*	5-1330-1X* 5-1330X**	15-213X
	Comet	6.4L	A	2	5-1204X*	5-7438X	15-1204X
1971-1977	Comet		A	1	5-1200X		
	Comet		A	2		5-7439X	
1967	Cougar	4.7L	A	1	5-153X*	5-1310-1X* 5-1310X**	15-153X
	Cougar	6.4L	A	1	5-213X*	5-1330-1X* 5-1330X**	15-213X
	Cougar	4.7L	A	2		5-7439X	
	Cougar	6.4L	A	2	5-1204X*	5-7438X	15-1204X
1968	Cougar	4.7L; 5.0L	A	1	5-153X*	5-1310-1X* 5-1310X**	15-153X
	Cougar	4.7L; 5.0L	A	2		5-7439X	
1968-1969	Cougar	6.4L; 7.0L	A	1	5-213X*	5-1330-1X* 5-1330X**	15-213X
1968-1970	Cougar	6.4L; 7.0L	A	2	5-1204X*	5-7438X	15-1204X
1969	Cougar	5.0L; 5.8L	A	1	5-153X*	5-1310-1X* 5-1310X**	15-153X
1969-1970	Cougar	5.0L; 5.8L	A	2		5-7439X	

\* GREASEABLE \*\* NON-GREASEABLE



Mercury (Cont'd)

Year	Model	Description	Fig.	Location	Spicer Part #	SPL Part #	SVL Part #
1970	Cougar	5.0L; 6.4L; 7.0L	A	1	5-213X*	5-1330-1X* 5-1330X**	15-213X
	Cougar	5.8L	A	1	5-153X*	5-1310-1X* 5-1310X**	15-153X
1971-1972	Cougar	3 Speed	A	1	5-153X*	5-1310-1X* 5-1310X**	15-153X
	Cougar	4 Speed	A	1	5-213X*	5-1330-1X* 5-1330X**	15-213X
	Cougar	3 Speed	A	2		5-7439X	
	Cougar	4 Speed	A	2	5-1204X*	5-7438X	15-1204X
1973	Cougar		A	1	5-153X*	5-1310-1X* 5-1310X**	15-153X
	Cougar		A	2		5-7439X	
1974-1978	Cougar		A	1	5-213X*	5-1330-1X* 5-1330X**	15-213X
1975-1976	Cougar	5.8L	A	2		5-7439X	
	Cougar	6.6L; 7.5L	A	2	5-1204X*	5-7438X	15-1204X
1977-1978	Cougar		A	2	5-1204X*	5-7438X	15-1204X
1979	Cougar	w/ Inside Snap Rings	A	1	5-3147X*	5-795X**	15-3147X
	Cougar	w/ Outside Snap Rings	A	1	5-213X*	5-1330-1X* 5-1330X**	15-213X
	Cougar	w/ Inside Snap Rings	A	2	5-1204X*	5-7438X	15-1204X
	Cougar	w/ Outside Snap Rings	A	2	5-3255X		
1980	Cougar		D	1,2,3	5-1200X		
1980-1981	Cougar		D	CV	211229X		
1981	Cougar	Base	A	1,2	5-1200X		
1981-1982	Cougar	XR-7	D	1,2,3	5-1200X		
1982	Cougar	Base; GS; LS	A	1,2	5-1200X		
1983-1988	Cougar		A	1,2	5-1200X		
1989-1990	Cougar	LS	A	1,2	5-153X*	5-1310-1X* 5-1310X**	15-153X
	Cougar	XR-7	A	1,2	5-213X*	5-1330-1X* 5-1330X**	15-213X
1991-1993	Cougar	3.8L	A	1,2	5-153X*	5-1310-1X* 5-1310X**	15-153X
	Cougar	5.0L	A	1,2	5-213X*	5-1330-1X* 5-1330X**	15-213X
1994-1997	Cougar		A	1,2	5-213X*	5-1330-1X* 5-1330X**	15-213X
1952-1954	Custom		A	1	5-3242X		
	Custom		A	2	5-2031X		
1955-1956	Custom		A	1,2	5-153X*	5-1310-1X* 5-1310X**	15-153X
1975-1976	Grand Marquis		A	1	5-213X*	5-1330-1X* 5-1330X**	15-213X
	Grand Marquis		A	2	5-1204X*	5-7438X	15-1204X
1977-1978	Grand Marquis	w/ 3.500" O.D. Yoke	A	1	5-153X*	5-1310-1X* 5-1310X**	15-153X
	Grand Marquis	w/ 3.875" O.D. Yoke	A	1	5-213X*	5-1330-1X* 5-1330X**	15-213X
	Grand Marquis	w/ 3.500" O.D. Yoke	A	2		5-7439X	
	Grand Marquis	w/ 3.875" O.D. Yoke	A	2	5-1204X*	5-7438X	15-1204X

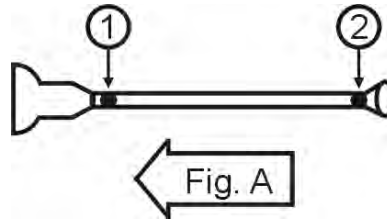
\* GREASEABLE \*\* NON-GREASEABLE

PASSENGER

**Mercury (Cont'd)**

Year	Model	Description	Fig.	Location	Spicer Part #	SPL Part #	SVL Part #
1979-1994	Grand Marquis	w/ Trailer Towing Package	A	1,2	5-213X*	5-1330-1X* 5-1330X**	15-213X
	Grand Marquis	w/o Trailer Towing Package	A	1,2	5-153X*	5-1310-1X* 5-1310X**	15-153X
1995-1999	Grand Marquis		A	1,2	5-213X*	5-1330-1X* 5-1330X**	15-213X
2000-2005	Grand Marquis	1 Piece Driveshaft	A	1,2	5-213X*	5-1330-1X* 5-1330X**	15-213X
2006	Grand Marquis	1 Piece Driveshaft; From 06/19/2006	A	1,2	5-178X*	5-1350-1X* 5-1350X**	15-178X
	Grand Marquis	1 Piece Driveshaft; To 06/19/2006	A	1,2	5-3253X		
2007-2011	Grand Marquis	1 Piece Driveshaft	A	1,2	5-178X*	5-1350-1X* 5-1350X**	15-178X
1963	Marauder	6.4L; 7.0L; From 6/3/63	A	1,2	5-1200X		
	Marauder	6.4L; 7.0L; To 6/3/63	A	1,2	5-1203X*		
1965	Marauder	w/ 3.500" O.D. Yoke	A	1	5-153X*	5-1310-1X* 5-1310X**	15-153X
	Marauder	w/ 3.875" O.D. Yoke	A	1	5-213X*	5-1330-1X* 5-1330X**	15-213X
	Marauder	w/ 3.500" O.D. Yoke	A	2		5-7439X	
	Marauder	w/ 3.875" O.D. Yoke	A	2	5-1204X*	5-7438X	15-1204X
1966-1970	Marauder		A	1	5-213X*	5-1330-1X* 5-1330X**	15-213X
	Marauder		A	2	5-1204X*	5-7438X	15-1204X
2003-2004	Marauder	1 Piece Driveshaft	A	1,2	5-213X*	5-1330-1X* 5-1330X**	15-213X
1967-1976	Marquis		A	1	5-213X*	5-1330-1X* 5-1330X**	15-213X
	Marquis		A	2	5-1204X*	5-7438X	15-1204X
1977-1978	Marquis	w/ 3.500" O.D. Yoke	A	1	5-153X*	5-1310-1X* 5-1310X**	15-153X
	Marquis	w/ 3.875" O.D. Yoke	A	1	5-213X*	5-1330-1X* 5-1330X**	15-213X
	Marquis	w/ 3.500" O.D. Yoke	A	2		5-7439X	
	Marquis	w/ 3.875" O.D. Yoke	A	2	5-1204X*	5-7438X	15-1204X
1979-1986	Marquis	w/ Trailer Towing Package	A	1,2	5-213X*	5-1330-1X* 5-1330X**	15-213X
	Marquis	w/o Trailer Towing Package	A	1,2	5-153X*	5-1310-1X* 5-1310X**	15-153X
1961-1963	Meteor		A	1	5-1200X		
	Meteor		A	2		5-7439X	
1975-1977	Monarch	w/ 3.500" O.D. Yoke	A	1	5-153X*	5-1310-1X* 5-1310X**	15-153X
	Monarch	w/ 3.875" O.D. Yoke	A	1	5-213X*	5-1330-1X* 5-1330X**	15-213X
	Monarch	w/ 3.500" O.D. Yoke	A	2		5-7439X	
	Monarch	w/ 3.875" O.D. Yoke	A	2	5-1204X*	5-7438X	15-1204X
1978-1980	Monarch		A	1	5-153X*	5-1310-1X* 5-1310X**	15-153X
	Monarch		A	2		5-7439X	
1968-1974	Montego	w/ 3.500" O.D. Yoke	A	1	5-153X*	5-1310-1X* 5-1310X**	15-153X
	Montego	w/ 3.875" O.D. Yoke	A	1	5-213X*	5-1330-1X* 5-1330X**	15-213X
	Montego	w/ 3.500" O.D. Yoke	A	2		5-7439X	
	Montego	w/ 3.875" O.D. Yoke	A	2	5-1204X*	5-7438X	15-1204X
1975-1976	Montego	5.8L	A	1	5-153X*	5-1310-1X* 5-1310X**	15-153X
	Montego	6.6L; 7.5L	A	1	5-213X*	5-1330-1X* 5-1330X**	15-213X
	Montego	5.8L; 6.6L	A	2		5-7439X	
	Montego	7.5L	A	2	5-1204X*	5-7438X	15-1204X
1950-1954	Monterey		A	1	5-3242X		

\* GREASEABLE \*\* NON-GREASEABLE



**Mercury (Cont'd)**

Year	Model	Description	Fig.	Location	Spicer Part #	SPL Part #	SVL Part #
1950-1954	Monterey		A	2	5-2031X		
1955-1959	Monterey		A	1,2	5-153X*	5-1310-1X* 5-1310X**	15-153X
1960	Monterey		A	1	5-153X*	5-1310-1X* 5-1310X**	15-153X
	Monterey	5.1L	A	2	5-153X*	5-1310-1X* 5-1310X**	15-153X
	Monterey	6.3L; 7.0L	A	2	5-134X*		15-134X
1961-1962	Monterey		A	1	5-1200X		
	Monterey		A	2		5-7439X	
1963	Monterey	6.4L; 7.0L; From 6/3/63	A	1	5-1203X*		
	Monterey	6.4L; 7.0L; To 6/3/63	A	1	5-1200X		
	Monterey	6.4L; 7.0L; From 6/3/63	A	2	5-1204X*	5-7438X	15-1204X
1965	Monterey	6.4L; 7.0L; To 6/3/63	A	2		5-7439X	
	Monterey	w/ 3.500" O.D. Yoke	A	1	5-153X*	5-1310-1X* 5-1310X**	15-153X
	Monterey	w/ 3.875" O.D. Yoke	A	1	5-213X*	5-1330-1X* 5-1330X**	15-213X
	Monterey	w/ 3.500" O.D. Yoke	A	2		5-7439X	
1966-1974	Monterey	w/ 3.875" O.D. Yoke	A	2	5-1204X*	5-7438X	15-1204X
	Monterey		A	1	5-213X*	5-1330-1X* 5-1330X**	15-213X
1978-1983	Monterey		A	2	5-1204X*	5-7438X	15-1204X
	Zephyr		A	1,2	5-153X*	5-1310-1X* 5-1310X**	15-153X

**MG**

Year	Model	Description	Fig.	Location	Spicer Part #	SPL Part #	SVL Part #
1962-1967	1100	From VIN #F M110572	A	1,2	5-101X		
1968-1969	1300	From VIN #F M110572	A	1,2	5-101X		
1959-1968	Magnette	From VIN #F M110572	A	1,2	5-101X		
1956-1962	MGA	From VIN #F M110572	A	1,2	5-101X		
1962-1980	MGB	From VIN #F M110572	A	1,2	5-101X		
1968-1969	MGC	From VIN #F M110572	A	1,2	5-101X		
1962-1979	Midget	From VIN #F M110572	A	1,2	5-101X		
1945-1949	TC	From VIN #F M110572	A	1,2	5-101X		
1949-1953	TD	From VIN #F M110572	A	1,2	5-101X		
1951-1953	TDC	From VIN #F M110572	A	1,2	5-101X		
1954-1955	TF	From VIN #F M110572	A	1,2	5-101X		
1947-1950	YA	From VIN #F M110572	A	1,2	5-101X		
1951-1953	YB	From VIN #F M110572	A	1,2	5-101X		
1947-1950	YT	From VIN #F M110572	A	1,2	5-101X		
1954-1956	ZA	From VIN #F M110572	A	1,2	5-101X		
1957-1958	ZB	From VIN #F M110572	A	1,2	5-101X		

**Mitsubishi**

Year	Model	Description	Fig.	Location	Spicer Part #	SPL Part #	SVL Part #
1983-1989	Starion		A	1,2	5-3217X		

\* GREASEABLE \*\* NON-GREASEABLE

**Morris**

Year	Model	Description	Fig.	Location	Spicer Part #	SPL Part #	SVL Part #
1956-1971	Minor		A	1,2	5-101X		
1959-1971	Oxford		A	1,2	5-101X		

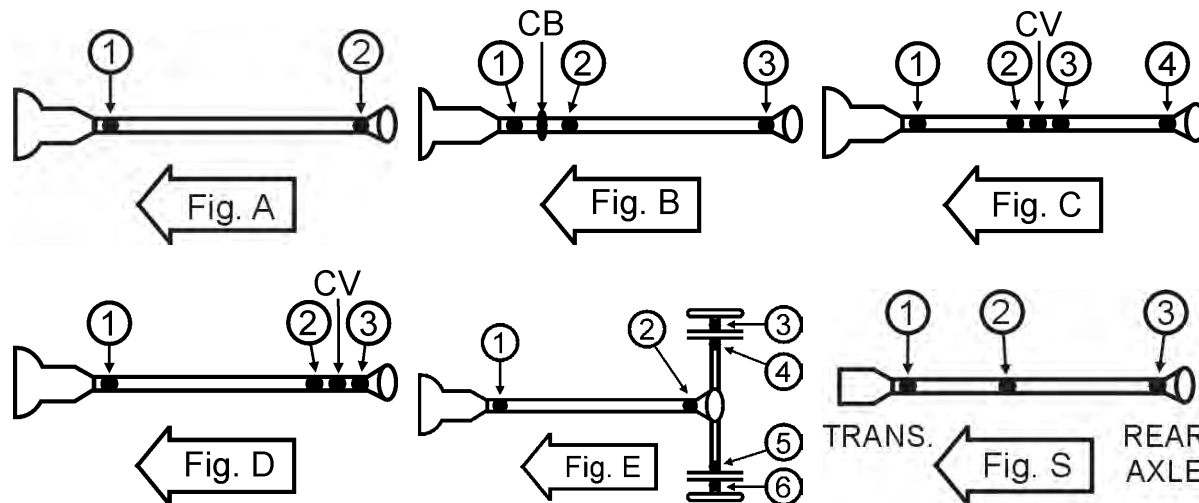
**Nissan**

Year	Model	Description	Fig.	Location	Spicer Part #	SPL Part #	SVL Part #
1966-1971	1000	Standard Bed; 1 Piece Driveshaft	A	1,2	5-1501X		
	1000	Standard Bed; 2 Piece Driveshaft	B	1,2,3	5-1501X		
1971-1973	1200	Standard Bed; 1 Piece Driveshaft	A	1,2	5-1501X		
	1200	Standard Bed; 2 Piece Driveshaft	B	1,2,3	5-1501X		
1972-1973	1300	Standard Bed; 1 Piece Driveshaft	A	1,2	5-1501X		
	1300	Standard Bed; 2 Piece Driveshaft	B	1,2,3	5-1501X		
1966-1970	1600	Standard Bed; 1 Piece Driveshaft	A	1,2	5-1501X		
	1600	Standard Bed; 2 Piece Driveshaft	B	1,2,3	5-1501X		
1967-1970	2000	Standard Bed; 1 Piece Driveshaft	A	1,2	5-1501X		
	2000	Standard Bed; 2 Piece Driveshaft	B	1,2,3	5-1501X		
1970-1973	240Z		E	1,2	5-1501X		
	240Z		E	3,4,5,6	5-1505X		
1974-1975	260Z		E	1,2	5-1501X		
	260Z		E	3,4,5,6	5-1505X		
1975-1978	280Z		E	1,2	5-1501X		
	280Z		E	3,4,5,6	5-1505X		
1966-1967	411	Standard Bed; 1 Piece Driveshaft	A	1,2	5-1501X		
	411	Standard Bed; 2 Piece Driveshaft	B	1,2,3	5-1501X		
1978-1979	510		A	1,2	5-1501X		
1973-1974	610	Standard Bed; 1 Piece Driveshaft	A	1,2	5-1501X		
	610	Standard Bed; 2 Piece Driveshaft	B	1,2,3	5-1501X		
1975-1976 1974	610		A	1,2	5-1501X		
	710	1 Piece Driveshaft	A	1,2	5-1501X		
1975-1977	710	2 Piece Driveshaft	B	1,2,3	5-1501X		
	710		A	1,2	5-1501X		
1977-1978	810	Sedan	E	3,4,5,6	5-1505X		
1979-1980	810	Hardtop; Sedan	E	3,4,5,6	5-1505X		
1970-1973	B110		A	1,2	5-1500X		
1984	Maxima		E	3,4,5,6	5-1505X		

**Oldsmobile**

Year	Model	Description	Fig.	Location	Spicer Part #	SPL Part #	SVL Part #
1950	88		A	1	5-3242X		
	88		A	2	5-2031X		
1954-1956	88	Auto Trans	A	1	5-3147X*	5-795X**	15-3147X
	88	Standard Trans	A	1	5-3242X		
	88	Auto Trans	A	2	5-3264X		
1957	88	w/ Outside Snap Rings	S	1	5-3022-1X		
	88	w/ Inside Snap Rings	S	1,2,3	5-3147X*	5-795X**	15-3147X
	88	w/ Outside Snap Rings	S	2	5-153X*	5-1310-1X* 5-1310X**	15-153X
	88	w/ Outside Snap Rings	S	3	5-3022-1X		
1950	98		A	2	5-2031X		
1950-1953	98		A	1	5-3242X		
1954-1956	98	Auto Trans	A	1	5-3147X*	5-795X**	15-3147X
	98	Standard Trans	A	1	5-3242X		
	98	Auto Trans	A	2	5-3264X		
1957-1958	98	w/ Outside Snap Rings	S	1	5-3022-1X		
	98	w/ Outside Snap Rings	S	2	5-153X*	5-1310-1X* 5-1310X**	15-153X
1957-1960	98	w/ Inside Snap Rings	S	1,2,3	5-3147X*	5-795X**	15-3147X
	98	w/ Outside Snap Rings	S	3	5-3022-1X		

\* GREASEABLE \*\* NON-GREASEABLE



PASSENGER

Oldsmobile (Cont'd)

Year	Model	Description	Fig.	Location	Spicer Part #	SPL Part #	SVL Part #
1959-1960	98	w/ Outside Snap Rings	S	1,2	5-153X*	5-1310-1X* 5-1310X**	15-153X
1961-1963	98	w/ Outside Snap Rings	A	1	5-153X*	5-1310-1X* 5-1310X**	15-153X
	98	w/ Outside Snap Rings	A	2	5-3022-1X		
1964-1965	98		A	1,2	5-3147X*	5-795X**	15-3147X
1968-1970	98		A	1	5-213X*	5-1330-1X* 5-1330X**	15-213X
	98		A	2	5-212X*	5-793X**	
1971-1981	98	1 Piece Driveshaft	A	1,2	5-3147X*	5-795X**	15-3147X
	98	2 Piece Driveshaft	D	1,2,3	5-3147X*	5-795X**	15-3147X
1973-1978	98	Exc. Wagon	D	CV	211009X		
1979	98	2 Piece Driveshaft	D	CV	211009X		
1982-1984	98	w/ Inside Snap Rings	A	1,2	5-3147X*	5-795X**	15-3147X
	98	w/ Outside Snap Rings	A	1,2	5-178X*	5-1350-1X* 5-1350X**	15-178X
1982-1985	Custom Cruiser	w/ Inside Snap Rings	A	1,2	5-3147X*	5-795X**	15-3147X
	Custom Cruiser	w/ Outside Snap Rings	A	1,2	5-178X*	5-1350-1X* 5-1350X**	15-178X
1986-1992	Custom Cruiser		A	1,2	5-3147X*	5-795X**	15-3147X
1961-1963	Cutlass		C	1	5-3242X		
	Cutlass		C	2,3	5-3263X		
	Cutlass		C	4	5-3242X		
1964-1965	Cutlass		A	1,2	5-3147X*	5-795X**	15-3147X
1966-1967	Cutlass	w/ Outside Snap Rings	A	1,2	5-178X*	5-1350-1X* 5-1350X**	15-178X
1966-1981	Cutlass	w/ Inside Snap Rings	A	1,2	5-3147X*	5-795X**	15-3147X
1978	Cutlass Calais		A	1,2	5-3147X*	5-795X**	15-3147X
1980-1981	Cutlass Cruiser		A	1,2	5-3147X*	5-795X**	15-3147X
1982-1983	Cutlass Cruiser	w/ Inside Snap Rings	A	1,2	5-3147X*	5-795X**	15-3147X
	Cutlass Cruiser	w/ Outside Snap Rings	A	1,2	5-178X*	5-1350-1X* 5-1350X**	15-178X
1975-1980	Cutlass Salon		A	1,2	5-3147X*	5-795X**	15-3147X
1982-1984	Cutlass Supreme	w/ Inside Snap Rings	A	1,2	5-3147X*	5-795X**	15-3147X
	Cutlass Supreme	w/ Outside Snap Rings	A	1,2	5-178X*	5-1350-1X* 5-1350X**	15-178X
1985-1988	Cutlass Supreme		A	1,2	5-3147X*	5-795X**	15-3147X
1976	Cutlass Tiara		A	1,2	5-3147X*	5-795X**	15-3147X
1968-1970	Delta 88	7.5L	A	1	5-213X*	5-1330-1X* 5-1330X**	15-213X

\* GREASEABLE \*\* NON-GREASEABLE

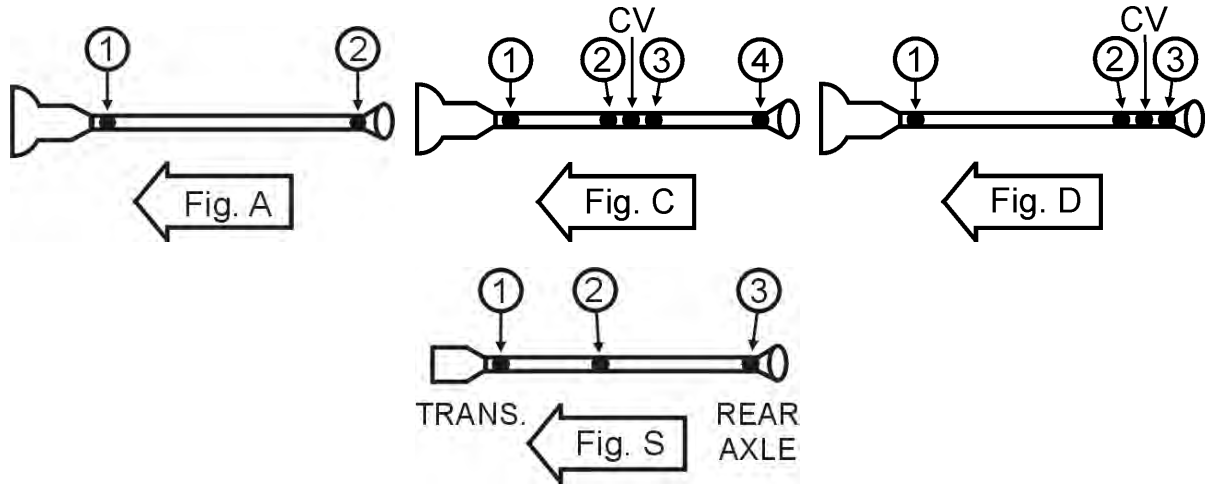
**Oldsmobile (Cont'd)**

PASSENGER

Year	Model	Description	Fig.	Location	Spicer Part #	SPL Part #	SVL Part #
1968-1970	Delta 88	5.7L	A	1,2	5-3147X*	5-795X**	15-3147X
	Delta 88	7.5L	A	2	5-212X*	5-793X**	
1971-1979	Delta 88	1 Piece Driveshaft	A	1,2	5-3147X*	5-795X**	15-3147X
	Delta 88	2 Piece Driveshaft	D	1,2,3	5-3147X*	5-795X**	15-3147X
1973-1978	Delta 88	Royale	D	CV	211009X		
	1979	Delta 88	Royale; 2 Piece Driveshaft	D	CV	211009X	
1980-1981	Delta 88		A	1,2	5-3147X*	5-795X**	15-3147X
1982-1985	Delta 88	w/ Inside Snap Rings	A	1,2	5-3147X*	5-795X**	15-3147X
	Delta 88	w/ Outside Snap Rings	A	1,2	5-178X*	5-1350-1X* 5-1350X**	15-178X
1951-1953	Deluxe 88		A	1	5-3242X		
	Deluxe 88		A	2	5-3264X		
1961-1963	F85		C	1	5-3242X		
	F85		C	2,3	5-3263X		
	F85		C	4	5-3242X		
1966-1967	F85	w/ Inside Snap Rings	A	1,2	5-3147X*	5-795X**	15-3147X
	F85	w/ Outside Snap Rings	A	1,2	5-178X*	5-1350-1X* 5-1350X**	15-178X
1970	F85	7.5L	A	1	5-213X*	5-1330-1X* 5-1330X**	15-213X
	F85	4.1L; 5.7L	A	1,2	5-3147X*	5-795X**	15-3147X
	F85	7.5L	A	2	5-212X*	5-793X**	
1971-1972	F85		A	1,2	5-3147X*	5-795X**	15-3147X
1953	Fiesta		A	1	5-3242X		
1957-1958	Fiesta	w/ Outside Snap Rings	S	1	5-3022-1X		
	Fiesta	w/ Outside Snap Rings	S	2	5-153X*	5-1310-1X* 5-1310X**	15-153X
1957-1960	Fiesta	w/ Inside Snap Rings	S	1,2,3	5-3147X*	5-795X**	15-3147X
	Fiesta	w/ Outside Snap Rings	S	3	5-3022-1X		
1959-1960	Fiesta	w/ Outside Snap Rings	S	1,2	5-153X*	5-1310-1X* 5-1310X**	15-153X
1961-1963	Fiesta	w/ Outside Snap Rings	A	1	5-153X*	5-1310-1X* 5-1310X**	15-153X
	Fiesta	w/ Inside Snap Rings	A	1,2	5-3147X*	5-795X**	15-3147X
	Fiesta	w/ Outside Snap Rings	A	2	5-3022-1X		
1964	Fiesta		A	1,2	5-3147X*	5-795X**	15-3147X
1962-1963	Jetfire		C	1	5-3242X		
	Jetfire		C	2,3	5-3263X		
	Jetfire		C	4	5-3242X		
1973-1979	Omega		A	1,2	5-153X*	5-1310-1X* 5-1310X**	15-153X
1946-1949	Series 98	1 Piece Driveshaft; w/ Inside Lock Ring	A	1	5-3242X		
1957	Starfire	w/ Outside Snap Rings	S	1	5-3022-1X		
	Starfire	w/ Inside Snap Rings	S	1,2,3	5-3147X*	5-795X**	15-3147X
	Starfire	w/ Outside Snap Rings	S	2	5-153X*	5-1310-1X* 5-1310X**	15-153X
	Starfire	w/ Outside Snap Rings	S	3	5-3022-1X		
1961-1963	Starfire	w/ Outside Snap Rings	A	1	5-153X*	5-1310-1X* 5-1310X**	15-153X
	Starfire	w/ Outside Snap Rings	A	2	5-3022-1X		
1964-1965	Starfire		A	1,2	5-3147X*	5-795X**	15-3147X
1966	Starfire	w/ Inside Snap Rings	A	1,2	5-3147X*	5-795X**	15-3147X
	Starfire	w/ Outside Snap Rings	A	1,2	5-178X*	5-1350-1X* 5-1350X**	15-178X
1975-1980	Starfire		A	1,2	5-153X*	5-1310-1X* 5-1310X**	15-153X
1966-1967	Vista Cruiser	w/ Inside Snap Rings	A	1,2	5-3147X*	5-795X**	15-3147X
	Vista Cruiser	w/ Outside Snap Rings	A	1,2	5-178X*	5-1350-1X* 5-1350X**	15-178X
1970	Vista Cruiser	7.5L	A	1	5-213X*	5-1330-1X* 5-1330X**	15-213X

\* GREASEABLE \*\* NON-GREASEABLE





PASSENGER

**Oldsmobile (Cont'd)**

Year	Model	Description	Fig.	Location	Spicer Part #	SPL Part #	SVL Part #
1970	Vista Cruiser	5.7L	A	1,2	5-3147X*	5-795X**	15-3147X
	Vista Cruiser	7.5L	A	2	5-212X*	5-793X**	
1971-1975	Vista Cruiser		A	1,2	5-3147X*	5-795X**	15-3147X

**Opel**

Year	Model	Description	Fig.	Location	Spicer Part #	SPL Part #	SVL Part #
1954-1962	Caravan		A	1,2	5-105X		
1968-1972	Opel		A	1,2	5-105X		

**Plymouth**

Year	Model	Description	Fig.	Location	Spicer Part #	SPL Part #	SVL Part #
1976-1978	Arrow		A	1,2	5-1503X		
1979-1980	Arrow	1.6L	A	1,2	5-1503X		
	Arrow	2.6L	A	1,2	5-3217X		
1964	Barracuda		A	2	5-3228X	5-789X	
1965	Barracuda	3.7L; 4.5L	A	1,2	5-3228X	5-789X	
1966	Barracuda	3.7L; 4.5L; 5.2L	A	1,2	5-3228X	5-789X	
1967	Barracuda		A	1,2	5-3228X	5-789X	
1968-1974	Barracuda	w/ 2.125" Snap Ring	A	1,2	5-3228X	5-789X	
	Barracuda	w/ 2.625" Snap Ring	A	1,2	5-1309X	5-811X	
1958-1964	Belvedere		A	2	5-3228X	5-789X	
1965	Belvedere		A	1,2	5-3228X	5-789X	
1966-1967	Belvedere	3.7L; 4.5L; 5.2L; 6.3L	A	1,2	5-3228X	5-789X	
	Belvedere	7.0L; 7.2L; w/ Inside Snap Rings	A	1,2	5-1309X	5-811X	
	Belvedere	7.0L; 7.2L; w/ Outside Snap Rings	A	1,2	5-213X*	5-1330-1X* 5-1330X**	15-213X
1968-1971	Belvedere	w/ 2.125" Snap Ring	A	1,2	5-3228X	5-789X	
	Belvedere	w/ 2.625" Snap Ring	A	1,2	5-1309X	5-811X	
1984-1986	Conquest		A	1,2	5-3217X		
1971-1974	Cricket		A	1,2	5-101X		
1970-1976	Duster		A	1,2	5-3228X	5-789X	
1958-1964	Fury		A	2	5-3228X	5-789X	
1965	Fury	5.2L; 5.9L; 6.3L; 7.0L; Auto Trans	A	1	5-3228X	5-789X	
	Fury	5.2L; 5.9L; 6.3L; 7.0L	A	2	5-3228X	5-789X	
1966	Fury	3.7L; 5.2L; 6.3L	A	1,2	5-3228X	5-789X	
	Fury	7.0L; 7.2L; w/ Inside Snap Rings	A	1,2	5-1309X	5-811X	
	Fury	7.0L; 7.2L; w/ Outside Snap Rings	A	1,2	5-213X*	5-1330-1X* 5-1330X**	15-213X
1967	Fury	3.7L; 5.2L	A	1,2	5-3228X	5-789X	

\* GREASEABLE \*\* NON-GREASEABLE

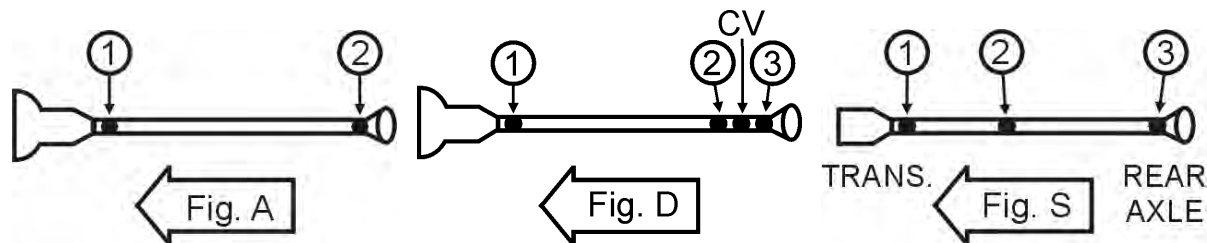
**Plymouth (Cont'd)**

Year	Model	Description	Fig.	Location	Spicer Part #	SPL Part #	SVL Part #
1967	Fury	7.2L; w/ Inside Snap Rings	A	1,2	5-1309X	5-811X	
	Fury	7.2L; w/ Outside Snap Rings	A	1,2	5-213X*	5-1330-1X* 5-1330X**	15-213X
1968-1978	Fury	w/ 2.125" Snap Ring	A	1,2	5-3228X	5-789X	
	Fury	w/ 2.625" Snap Ring	A	1,2	5-1309X	5-811X	
1968-1974	Fury I	w/ 2.125" Snap Ring	A	1,2	5-3228X	5-789X	
	Fury I	w/ 2.625" Snap Ring	A	1,2	5-1309X	5-811X	
1968-1974	Fury II	w/ 2.125" Snap Ring	A	1,2	5-3228X	5-789X	
	Fury II	w/ 2.625" Snap Ring	A	1,2	5-1309X	5-811X	
1968-1974	Fury III	w/ 2.125" Snap Ring	A	1,2	5-3228X	5-789X	
	Fury III	w/ 2.625" Snap Ring	A	1,2	5-1309X	5-811X	
1972-1977	Gran Fury	w/ 2.125" Snap Ring	A	1,2	5-3228X	5-789X	
	Gran Fury	w/ 2.625" Snap Ring	A	1,2	5-1309X	5-811X	
1980-1989	Gran Fury		A	1,2	5-3228X	5-789X	
1967	GTX	w/ Inside Snap Rings	A	1,2	5-1309X	5-811X	
	GTX	w/ Outside Snap Rings	A	1,2	5-213X*	5-1330-1X* 5-1330X**	15-213X
1968-1971	GTX	w/ 2.125" Snap Ring	A	1,2	5-3228X	5-789X	
	GTX	w/ 2.625" Snap Ring	A	1,2	5-1309X	5-811X	
1968-1975	Roadrunner	w/ 2.125" Snap Ring	A	1,2	5-3228X	5-789X	
	Roadrunner	w/ 2.625" Snap Ring	A	1,2	5-1309X	5-811X	
1978-1980	Sapporo		A	1,2	5-3217X		
1981-1983	Sapporo	Auto Trans	S	1,2,3	5-1503X		
	Sapporo	Standard Trans	S	1,2,3	5-3217X		
1965	Satellite		A	1,2	5-3228X	5-789X	
1966-1967	Satellite	3.7L; 4.5L; 5.2L; 6.3L	A	1,2	5-3228X	5-789X	
	Satellite	7.0L; 7.2L	A	1,2			15-213X
	Satellite	7.0L; 7.2L; w/ Inside Snap Rings	A	1,2	5-1309X	5-811X	
	Satellite	7.0L; 7.2L; w/ Outside Snap Rings	A	1,2	5-213X*	5-1330-1X* 5-1330X**	
1968-1974	Satellite	w/ 2.125" Snap Ring	A	1,2	5-3228X	5-789X	
	Satellite	w/ 2.625" Snap Ring	A	1,2	5-1309X	5-811X	
1958-1961	Suburban		A	2	5-3228X	5-789X	
1960-1965	Valiant		A	2	5-3228X	5-789X	
1966-1969	Valiant	w/ 2.125" Snap Ring	A	1,2	5-3228X	5-789X	
	Valiant	w/ 2.625" Snap Ring	A	1,2	5-1309X	5-811X	
1970-1976	Valiant		A	1,2	5-3228X	5-789X	
1976-1980	Volare		A	1,2	5-3228X	5-789X	

**Pontiac**

Year	Model	Description	Fig.	Location	Spicer Part #	SPL Part #	SVL Part #
1976-1987	Acadian		A	1,2	5-3254X		
1975-1977	Astre		A	1,2	5-153X*	5-1310-1X* 5-1310X**	15-153X
1957-1970	Bonneville		A	1,2	5-3147X*	5-795X**	15-3147X
1971-1981	Bonneville	2 Piece Driveshaft	D	1,2,3	5-3147X*	5-795X**	15-3147X
1973-1978	Bonneville	Exc. Wagon	D	CV	211009X		
1977-1978	Bonneville	1 Piece Driveshaft	A	1,2	5-3147X*	5-795X**	15-3147X
1979	Bonneville	2 Piece Driveshaft	D	CV	211009X		
1979-1981	Bonneville	1 Piece Driveshaft; w/ Inside Snap Rings	A	1,2	5-3147X*	5-795X**	15-3147X
	Bonneville	1 Piece Driveshaft; w/ Outside Snap Rings	A	1,2	5-178X*	5-1350-1X* 5-1350X**	15-178X
1982-1986	Bonneville	w/ Inside Snap Rings	A	1,2	5-3147X*	5-795X**	15-3147X
	Bonneville	w/ Outside Snap Rings	A	1,2	5-178X*	5-1350-1X* 5-1350X**	15-178X
1953	Catalina	Exc. Powerglide	A	1	5-3242X		
	Catalina	Powerglide	A	1,2	5-153X*	5-1310-1X* 5-1310X**	15-153X
	Catalina	Exc. Powerglide	A	2	5-2031X		

\* GREASEABLE \*\* NON-GREASEABLE



Pontiac (Cont'd)

Year	Model	Description	Fig.	Location	Spicer Part #	SPL Part #	SVL Part #
1954-1955	Catalina		A	1	5-3242X		
	Catalina		A	2	5-2031X		
1956-1970	Catalina		A	1,2	5-3147X*	5-795X**	15-3147X
1971-1979	Catalina	1 Piece Driveshaft	A	1,2	5-3147X*	5-795X**	15-3147X
1971-1981	Catalina	2 Piece Driveshaft	D	1,2,3	5-3147X*	5-795X**	15-3147X
1973-1978	Catalina	Exc. Wagon	D	CV	211009X		
1979	Catalina	2 Piece Driveshaft	D	CV	211009X		
1980-1981	Catalina	1 Piece Driveshaft; w/ Inside Snap Rings	A	1,2	5-3147X*	5-795X**	15-3147X
	Catalina	1 Piece Driveshaft; w/ Outside Snap Rings	A	1,2	5-178X*	5-1350-1X* 5-1350X**	15-178X
1953	Chieftain	Exc. Powerglide	A	1	5-3242X		
	Chieftain	Powerglide	A	1,2	5-153X*	5-1310-1X* 5-1310X**	15-153X
	Chieftain	Exc. Powerglide	A	2	5-2031X		
1954-1955	Chieftain		A	1	5-3242X		
	Chieftain		A	2	5-2031X		
1956-1957	Chieftain		A	1,2	5-3147X*	5-795X**	15-3147X
1958	Chieftain		S	1,2,3	5-3147X*	5-795X**	15-3147X
1967-1970	Executive		A	1,2	5-3147X*	5-795X**	15-3147X
1967-1968	Firebird	Hydromatic	A	1	5-3147X*	5-795X**	15-3147X
	Firebird	Exc. Hydromatic	A	1,2	5-153X*	5-1310-1X* 5-1310X**	15-153X
	Firebird	Hydromatic	A	2	5-212X*	5-793X**	
1969-1974	Firebird		A	1,2	5-153X*	5-1310-1X* 5-1310X**	15-153X
1975-1984	Firebird	w/ Inside Snap Rings	A	1,2	5-3147X*	5-795X**	15-3147X
	Firebird	w/ Outside Snap Rings	A	1,2	5-178X*	5-1350-1X* 5-1350X**	15-178X
1985-1987	Firebird		A	1,2	5-3147X*	5-795X**	15-3147X
1988-1992	Firebird	w/ Aluminum Shaft	A	1		5-3613X	
	Firebird	w/ Steel Shaft	A	1,2	5-3147X*	5-795X**	15-3147X
1993-1994	Firebird	3.4L; 2 Piece Driveshaft	S	1,3	5-3147X*	5-795X**	15-3147X
1993-1999	Firebird	5.7L; 1 Piece Driveshaft	A	1,2	5-3147X*	5-795X**	15-3147X
1995	Firebird	3.4L; 3.8L; 2 Piece Driveshaft	S	1,3	5-3147X*	5-795X**	15-3147X
1996-1999	Firebird	3.8L; 2 Piece Driveshaft	S	1,3	5-3147X*	5-795X**	15-3147X
2000-2002	Firebird	1 Piece Driveshaft	A	1,2	5-3147X*	5-795X**	15-3147X
1978-1980	Grand Am		A	1,2	5-3147X*	5-795X**	15-3147X
1975-1982	Grand LeMans		A	1,2	5-3147X*	5-795X**	15-3147X
1962-1984	Grand Prix		A	1,2	5-3147X*	5-795X**	15-3147X
1985-1987	Grand Prix	w/ Inside Snap Rings	A	1,2	5-3147X*	5-795X**	15-3147X
	Grand Prix	w/ Outside Snap Rings	A	1,2	5-178X*	5-1350-1X* 5-1350X**	15-178X
1971-1975	Grandville	1 Piece Driveshaft	A	1,2	5-3147X*	5-795X**	15-3147X
	Grandville	2 Piece Driveshaft	D	1,2,3	5-3147X*	5-795X**	15-3147X
1973-1975	Grandville	Exc. Wagon	D	CV	211009X		
1964-1973	GTO		A	1,2	5-3147X*	5-795X**	15-3147X
1963-1981	LeMans		A	1,2	5-3147X*	5-795X**	15-3147X
1987-1989	Safari		A	1,2	5-3147X*	5-795X**	15-3147X
1954-1955	Star Chief		A	1	5-3242X		
	Star Chief		A	2	5-2031X		

\* GREASEABLE \*\* NON-GREASEABLE

PASSENGER

**Pontiac (Cont'd)**

Year	Model	Description	Fig.	Location	Spicer Part #	SPL Part #	SVL Part #
1958-1960	Star Chief		S	1,2,3	5-3147X*	5-795X**	15-3147X
1961-1966	Star Chief		A	1,2	5-3147X*	5-795X**	15-3147X
1946-1951	Streamliner		A	2	5-2031X		
1946-1952	Streamliner		A	1	5-3242X		
1976-1980	Sunbird		A	1,2	5-153X*	5-1310-1X* 5-1310X**	15-153X
1961-1970	Tempest		A	1,2	5-3147X*	5-795X**	15-3147X
1946-1948	Torpedo		A	1	5-3242X		
	Torpedo		A	2	5-2031X		

**Rolls Royce**

Year	Model	Description	Fig.	Location	Spicer Part #	SPL Part #	SVL Part #
1975-1979	Camargue		A	1,2	5-178X*	5-1350-1X* 5-1350X**	15-178X
1971-1979	Corniche		A	1,2	5-178X*	5-1350-1X* 5-1350X**	15-178X
1959-1970	Phantom		A	1,2	5-178X*	5-1350-1X* 5-1350X**	15-178X
1955-1965	Silver Cloud		A	1,2	5-178X*	5-1350-1X* 5-1350X**	15-178X
1950-1954	Silver Dawn		A	1,2	5-178X*	5-1350-1X* 5-1350X**	15-178X
1966-1976	Silver Shadow		A	1,2	5-178X*	5-1350-1X* 5-1350X**	15-178X
1977-1979	Silver Shadow II		A	1,2	5-178X*	5-1350-1X* 5-1350X**	15-178X
1950-1958	Silver Wraith		A	1,2	5-178X*	5-1350-1X* 5-1350X**	15-178X
1977-1979	Silver Wraith II		A	1,2	5-178X*	5-1350-1X* 5-1350X**	15-178X

**Rover**

Year	Model	Description	Fig.	Location	Spicer Part #	SPL Part #	SVL Part #
1969-1973	2000		E	1,2	5-153X*	5-1310-1X* 5-1310X**	15-153X
1970-1973	2000		E	3,4,5,6	5-178X*	5-1350-1X* 5-1350X**	15-178X
1969	3500S		A	1,2	5-153X*	5-1310-1X* 5-1310X**	15-153X
1970-1974	3500S		E	1,2	5-153X*	5-1310-1X* 5-1310X**	15-153X
	3500S		E	3,4,5,6	5-178X*	5-1350-1X* 5-1350X**	15-178X

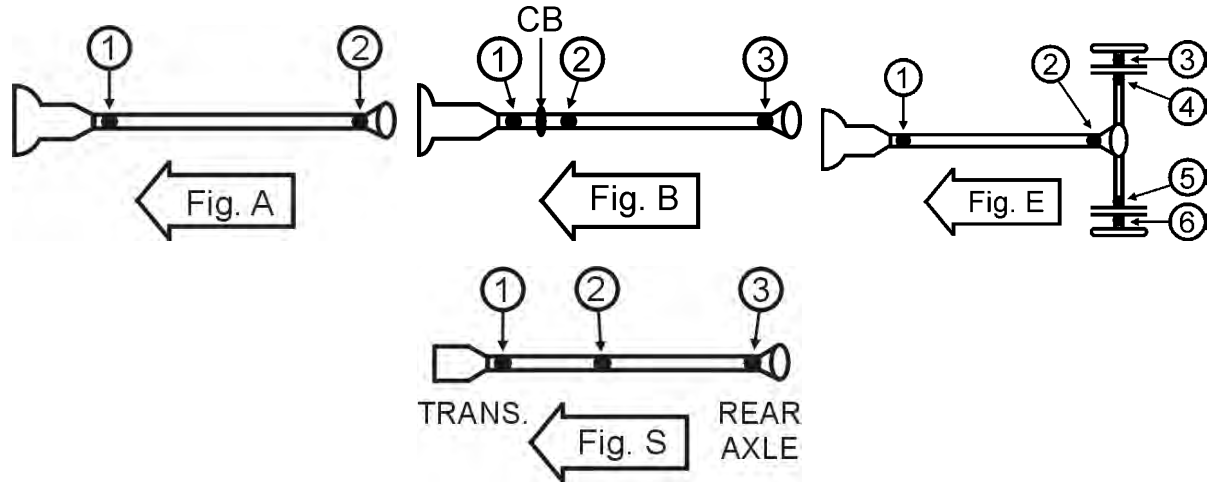
**Simca**

Year	Model	Description	Fig.	Location	Spicer Part #	SPL Part #	SVL Part #
1963-1968	1000		A	1,2	5-101X		
1963-1968	1000S		A	1,2	5-101X		
1963-1968	5		A	1,2	5-101X		
1959-1961	Ariane		A	1,2	5-101X		
1957-1961	Aronde		A	1,2	5-101X		
1957-1961	Vedette		A	1,2	5-101X		

**SRT**

Year	Model	Description	Fig.	Location	Spicer Part #	SPL Part #	SVL Part #
2013-2014	Viper		A	1,2	5-178X*	5-1350-1X* 5-1350X**	15-178X

\* GREASEABLE \*\* NON-GREASEABLE



**Subaru**

Year	Model	Description	Fig.	Location	Spicer Part #	SPL Part #	SVL Part #
1975-1980	DL	Wagon	A	1,2	5-1501X		
1979-1980	GL	Wagon	A	1,2	5-1501X		
1999	Legacy	Automatic; Exc. Outback	B	1,2,3	5-443X		

**Sunbeam**

Year	Model	Description	Fig.	Location	Spicer Part #	SPL Part #	SVL Part #
1964-1968	Alpine		A	1,2	5-101X		
1966-1967	Imp		A	1,2	5-101X		
1956-1970	Rapier		A	1,2	5-101X		
1965-1967	Tiger		A	1,2	5-153X*	5-1310-1X* 5-1310X**	15-153X

**Toyota**

Year	Model	Description	Fig.	Location	Spicer Part #	SPL Part #	SVL Part #
1971-1973	Carina	1 Piece Driveshaft	A	1,2	5-3223X		
	Carina	2 Piece Driveshaft	S	1,2,3	5-3223X		
1971-1982	Celica	1 Piece Driveshaft	A	1,2	5-3223X		
	Celica	2 Piece Driveshaft	S	1,2,3	5-3223X		
1969-1979	Corolla	1.2L	A	1,2	5-1500X		
1971-1979	Corolla	1.6L	A	1,2	5-3223X		
1980-1983	Corolla	Sedan	S	1,2,3	5-3223X		
1967-1982	Corona	1 Piece Driveshaft	A	1,2	5-3223X		
	Corona	2 Piece Driveshaft	S	1,2,3	5-3223X		
1978-1984	Cressida	Wagon; 1 Piece Driveshaft	A	1,2	5-3223X		
	Cressida	Sedan; 2 Piece Driveshaft	S	1,2,3	5-3223X		
1964-1965	Crown		A	1,2	5-3223X		
1966-1967	Crown	To 8/66	A	1,2	5-3223X		
1967	Crown	From 9/66	A	1,2	5-1510X*		
1968-1970	Crown		A	1,2	5-1510X*		
1971	Crown	1 Piece Driveshaft; To 1/71	A	1,2	5-1510X*		
	Crown	2 Piece Driveshaft; From 2/71	S	1,2,3	5-1510X*		
1972	Crown		S	1,2,3	5-1510X*		
1972-1976	Mark II	1 Piece Driveshaft	A	1,2	5-3223X		
	Mark II	2 Piece Driveshaft	S	1,2,3	5-3223X		
1981-1984	Starlet		A	1,2	5-1500X		
1986-1993	Supra		S	1,2,3	5-1510X*		

\* GREASEABLE \*\* NON-GREASEABLE

**Triumph**

Year	Model	Description	Fig.	Location	Spicer Part #	SPL Part #	SVL Part #
1967	2000		A	1,2	5-101X		
1967-1973	GT6		E	1,2,3,4,5,6	5-101X		
1961-1970	Herald		E	1,2,3,4,5,6	5-101X		
1963-1979	Spitfire		E	1,2,3,4,5,6	5-101X		
1980	Spitfire	From VIN #F M110572	A	1,2	5-101X		
1970-1973	Stag		A	1,2	5-3214X		
1953-1956	TR2		E	1,2,3,4,5,6	5-3214X		
1967-1969	TR250		E	1,2,3,4,5,6	5-3214X		
1955-1957	TR3		E	1,2,3,4,5,6	5-3214X		
1957-1962	TR3A		E	1,2,3,4,5,6	5-3214X		
1962	TR3B		E	1,2,3,4,5,6	5-3214X		
1961-1965	TR4		E	1,2,3,4,5,6	5-3214X		
1965-1968	TR4A		E	1,2,3,4,5,6	5-3214X		
1968-1976	TR6		E	1,2,3,4,5,6	5-3214X		
1975-1976	TR7		E	1,2,3,4,5,6	5-3214X		
1977-1980	TR7		A	1,2	5-101X		
1980	TR8		A	1,2	5-101X		

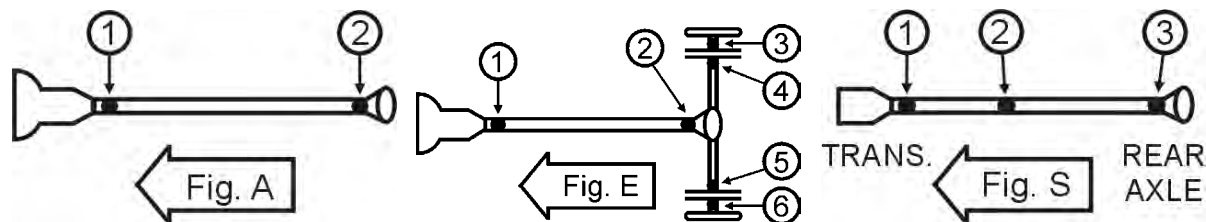
**Vauxhall**

Year	Model	Description	Fig.	Location	Spicer Part #	SPL Part #	SVL Part #
1949	Fourteen		A	1,2	5-101X		
1949	Ten		A	1,2	5-101X		
1949	Twelve		A	1,2	5-101X		
1949	Velox		A	1,2	5-101X		
1957-1963	Victor		A	1,2	5-101X		
1949	Wyvern		A	1,2	5-101X		

**Volvo**

Year	Model	Description	Fig.	Location	Spicer Part #	SPL Part #	SVL Part #
1960-1968	122		S	1,2,3	5-101X		
1967-1974	142		S	1,2	5-101X		
			S	3	5-3214X		
1967-1974	144		S	1,2	5-101X		
			S	3	5-3214X		
1968-1974	145		S	1,2	5-101X		
			S	3	5-3214X		
1969-1975	164		S	1,2,3	5-153X*	5-1310-1X* 5-1310X**	15-153X
1961-1973	1800		S	1,2,3	5-101X		
1990-1993	240		S	1,2,3	5-3214X		
1975-1984	242	1.750" Driveshaft Diameter	S	1,2,3	5-101X		
		2.000" Driveshaft Diameter	S	1,2,3	5-153X*	5-1310-1X* 5-1310X**	15-153X
1975-1984	244	1.750" Driveshaft Diameter	S	1,2	5-101X		
		2.000" Driveshaft Diameter	S	1,2,3	5-153X*	5-1310-1X* 5-1310X**	15-153X
		1.750" Driveshaft Diameter	S	3	5-3214X		
1985-1989	244		S	1,2,3	5-3214X		
1975-1984	245	1.750" Driveshaft Diameter	S	1,2	5-101X		
		2.000" Driveshaft Diameter	S	1,2,3	5-153X*	5-1310-1X* 5-1310X**	15-153X
		1.750" Driveshaft Diameter	S	3	5-3214X		
1985-1989	245		S	1,2,3	5-3214X		
1978-1981	262	1.750" Driveshaft Diameter	S	1,2	5-101X		
		2.000" Driveshaft Diameter	S	1,2,3	5-153X*	5-1310-1X* 5-1310X**	15-153X
		1.750" Driveshaft Diameter	S	3	5-3214X		
1976-1982	264	1.750" Driveshaft Diameter	S	1,2,3	5-101X		

\* GREASEABLE \*\* NON-GREASEABLE



Volvo (Cont'd)

Year	Model	Description	Fig.	Location	Spicer Part #	SPL Part #	SVL Part #
1976-1982	264	2.000" Driveshaft Diameter	S	1,2,3	5-153X*	5-1310-1X* 5-1310X**	15-153X
1978-1981	265	1.750" Driveshaft Diameter	S	1,2	5-101X		
	265	2.000" Driveshaft Diameter	S	1,2,3	5-153X*	5-1310-1X* 5-1310X**	15-153X
1985-1987	265	1.750" Driveshaft Diameter	S	3	5-3214X		
	740	1.750" Driveshaft Diameter	S	1,2	5-101X		
	740	2.000" Driveshaft Diameter; w/ 3.250" Yoke	S	1,2,3	5-3214X		
	740	2.000" Driveshaft Diameter; w/ 3.500" Yoke	S	1,2,3	5-153X*	5-1310-1X* 5-1310X**	15-153X
1988-1992	740	1.750" Driveshaft Diameter	S	3	5-3214X		
	740	w/ 3.250" Yoke	S	1,2,3	5-3214X		
1985	740	w/ 3.500" Yoke	S	1,2,3	5-153X*	5-1310-1X* 5-1310X**	15-153X
	745	1.750" Driveshaft Diameter	S	1,2	5-101X		
1983-1984	745	2.000" Driveshaft Diameter; w/ 3.250" Yoke	S	1,2,3	5-3214X		
	745	2.000" Driveshaft Diameter; w/ 3.500" Yoke	S	1,2,3	5-153X*	5-1310-1X* 5-1310X**	15-153X
	745	1.750" Driveshaft Diameter	S	3	5-3214X		
1985-1987	760	0.938" Cup Dia.	S	1,2	5-101X		
	760	1.062" Cup Dia.	S	1,2	5-3214X		
	760		S	3	5-3214X		
1988-1990	760	1.750" Driveshaft Diameter	S	1,2	5-101X		
	760	2.000" Driveshaft Diameter; w/ 3.250" Yoke	S	1,2,3	5-3214X		
	760	2.000" Driveshaft Diameter; w/ 3.500" Yoke	S	1,2,3	5-153X*	5-1310-1X* 5-1310X**	15-153X
1987	760	1.750" Driveshaft Diameter	S	3	5-3214X		
	780	w/ 3.250" Yoke	S	1,2,3	5-3214X		
1988-1991	780	w/ 3.500" Yoke	S	1,2,3	5-153X*	5-1310-1X* 5-1310X**	15-153X
	780	1.750" Driveshaft Diameter	S	1,2	5-101X		
	780	2.000" Driveshaft Diameter; w/ 3.250" Yoke	S	1,2,3	5-3214X		
1991-1994	780	2.000" Driveshaft Diameter; w/ 3.500" Yoke	S	1,2,3	5-153X*	5-1310-1X* 5-1310X**	15-153X
	780	1.750" Driveshaft Diameter	S	3	5-3214X		
1992-1994	940		S	1,2,3	5-3214X		
1984	960		S	1,2,3	5-3214X		
	DL	1.750" Driveshaft Diameter	S	1,2	5-101X		
	DL	2.000" Driveshaft Diameter	S	1,2,3	5-153X*	5-1310-1X* 5-1310X**	15-153X
	DL	1.750" Driveshaft Diameter	S	3	5-3214X		

\* GREASEABLE \*\* NON-GREASEABLE

PASSENGER

**Buick**

Year	Model	Description	Fig.	Location	Spicer Part #	SPL Part #	SVL Part #
2004-2007	Rainier		A	1,2	5-3147X*	5-795X**	15-3147X

**Cadillac**

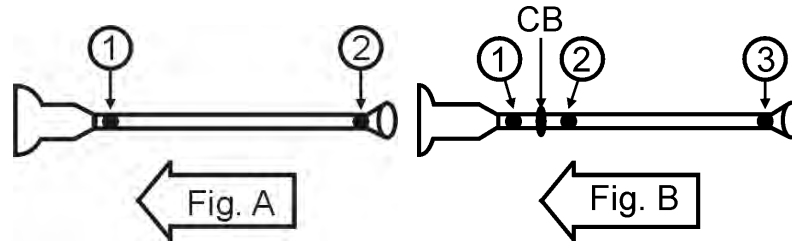
Year	Model	Description	Fig.	Location	Spicer Part #	SPL Part #	SVL Part #
2000	Escalade	1 Piece Driveshaft	A	1,2	5-3147X*	5-795X**	15-3147X
2002-2005	Escalade	V8 5.3L; 1 Piece Driveshaft	A	1,2	5-3147X*	5-795X**	15-3147X
2005-2006	Escalade	V8 6.0L; 1 Piece Driveshaft	A	1,2	5-3147X*	5-795X**	15-3147X
2007	Escalade	V8 6.2L; 1 Piece Driveshaft	A	1,2	5-178X*	5-1350-1X* 5-1350X**	15-178X
2008-2014	Escalade	1 Piece Driveshaft	A	1,2	5-178X*	5-1350-1X* 5-1350X**	15-178X
2015-2016	Escalade	1 Piece Driveshaft	A	1,2	5-160X*	5-1410-1X* 5-1410X**	15-160X
2008	Escalade ESV	1 Piece Driveshaft	A	1,2	5-3147X*	5-795X**	15-3147X
2009-2014	Escalade ESV	1 Piece Driveshaft	A	1,2	5-178X*	5-1350-1X* 5-1350X**	15-178X
2015-2016	Escalade ESV	1 Piece Driveshaft	A	1,2	5-160X*	5-1410-1X* 5-1410X**	15-160X

**Chevrolet**

Year	Model	Description	Fig.	Location	Spicer Part #	SPL Part #	SVL Part #
1959	3C	Standard Trans; 3 Speed; 1 Piece Driveshaft	A	1	5-153X*	5-1310-1X* 5-1310X**	15-153X
	3C	Auto Trans; 3 Speed; 4 Speed; 1 Piece Driveshaft	A	1,2	5-178X*	5-1350-1X* 5-1350X**	15-178X
	3C	Standard Trans; 3 Speed; 1 Piece Driveshaft	A	2	5-178X*	5-1350-1X* 5-1350X**	15-178X
	3C	Standard Trans; 3 Speed; 2 Piece Driveshaft	B	1	5-153X*	5-1310-1X* 5-1310X**	15-153X
	3C	Auto Trans; 3 Speed; 4 Speed; 2 Piece Driveshaft	B	1,2,3	5-178X*	5-1350-1X* 5-1350X**	15-178X
	3C	Standard Trans; 3 Speed; 2 Piece Driveshaft	B	2,3	5-178X*	5-1350-1X* 5-1350X**	15-178X
1959	3D	Standard Trans; 3 Speed; 1 Piece Driveshaft	A	1	5-153X*	5-1310-1X* 5-1310X**	15-153X
	3D	Auto Trans; 3 Speed; 4 Speed; 1 Piece Driveshaft	A	1,2	5-178X*	5-1350-1X* 5-1350X**	15-178X
	3D	Standard Trans; 3 Speed; 1 Piece Driveshaft	A	2	5-178X*	5-1350-1X* 5-1350X**	15-178X
	3D	Standard Trans; 3 Speed; 2 Piece Driveshaft	B	1	5-153X*	5-1310-1X* 5-1310X**	15-153X
	3D	Auto Trans; 3 Speed; 4 Speed; 2 Piece Driveshaft	B	1,2,3	5-178X*	5-1350-1X* 5-1350X**	15-178X
	3D	Standard Trans; 3 Speed; 2 Piece Driveshaft	B	2,3	5-178X*	5-1350-1X* 5-1350X**	15-178X
1959	3E	Standard Trans; 3 Speed; 1 Piece Driveshaft	A	1	5-153X*	5-1310-1X* 5-1310X**	15-153X
	3E	Auto Trans; 3 Speed; 4 Speed; 1 Piece Driveshaft	A	1,2	5-178X*	5-1350-1X* 5-1350X**	15-178X
	3E	Standard Trans; 3 Speed; 1 Piece Driveshaft	A	2	5-178X*	5-1350-1X* 5-1350X**	15-178X
	3E	Standard Trans; 3 Speed; 2 Piece Driveshaft	B	1	5-153X*	5-1310-1X* 5-1310X**	15-153X
	3E	Auto Trans; 3 Speed; 4 Speed; 2 Piece Driveshaft	B	1,2,3	5-178X*	5-1350-1X* 5-1350X**	15-178X
	3E	Standard Trans; 3 Speed; 2 Piece Driveshaft	B	2,3	5-178X*	5-1350-1X* 5-1350X**	15-178X
1959	3F	Standard Trans; 3 Speed; 1 Piece Driveshaft	A	1	5-153X*	5-1310-1X* 5-1310X**	15-153X
	3F	Auto Trans; 3 Speed; 4 Speed; 1 Piece Driveshaft	A	1,2	5-178X*	5-1350-1X* 5-1350X**	15-178X
	3F	Standard Trans; 3 Speed; 1 Piece Driveshaft	A	2	5-178X*	5-1350-1X* 5-1350X**	15-178X

\* GREASEABLE \*\* NON-GREASEABLE





**Chevrolet (Cont'd)**

Year	Model	Description	Fig.	Location	Spicer Part #	SPL Part #	SVL Part #
1959	3F	Standard Trans; 3 Speed; 2 Piece Driveshaft	B	1	5-153X*	5-1310-1X* 5-1310X**	15-153X
	3F	Auto Trans; 3 Speed; 4 Speed; 2 Piece Driveshaft	B	1,2,3	5-178X*	5-1350-1X* 5-1350X**	15-178X
	3F	Standard Trans; 3 Speed; 2 Piece Driveshaft	B	2,3	5-178X*	5-1350-1X* 5-1350X**	15-178X
1959	3G	2 Piece Driveshaft	B	1,2,3	5-178X*	5-1350-1X* 5-1350X**	15-178X
1985-2002	Astro		A	1	5-3147X*	5-795X**	15-3147X
	Astro		A	2	5-178X*	5-1350-1X* 5-1350X**	15-178X
2003-2005	Astro		A	1,2	5-3147X*	5-795X**	15-3147X
2007-2008	Avalanche	V8 5.3L; 1 Piece Driveshaft	A	1,2	5-3147X*	5-795X**	15-3147X
	Avalanche	V8 6.0L; 1 Piece Driveshaft	A	1,2	5-178X*	5-1350-1X* 5-1350X**	15-178X
2009-2013	Avalanche	1 Piece Driveshaft	A	1,2	5-178X*	5-1350-1X* 5-1350X**	15-178X
2002-2006	Avalanche 1500	1 Piece Driveshaft	A	1	5-213X*	5-1330-1X* 5-1330X**	15-213X
	Avalanche 1500	1 Piece Driveshaft	A	2	5-212X*	5-793X**	
2002-2003	Avalanche 2500	1 Piece Driveshaft	A	1,2	5-160X*	5-1410-1X* 5-1410X**	15-160X
1995-2002	B7	1480/148N Series; Propeller Shaft Center Support	B	CB	210866-1X		
1969-1973	Blazer	2 Speed; 3 Speed	A	1,2	5-153X*	5-1310-1X* 5-1310X**	15-153X
	Blazer	Standard Trans; 4 Speed	A	1,2	5-153X*	5-1310-1X* 5-1310X**	15-153X
1974	Blazer	Standard Trans; 4 Speed	A	1	5-178X*	5-1350-1X* 5-1350X**	15-178X
	Blazer	3 Speed	A	1,2	5-153X*	5-1310-1X* 5-1310X**	15-153X
	Blazer	Standard Trans; 4 Speed	A	2	5-153X*	5-1310-1X* 5-1310X**	15-153X
1995-1999	Blazer		A	1,2	5-3147X*	5-795X**	15-3147X
2000-2005	Blazer	1 Piece Driveshaft	A	1,2	5-3147X*	5-795X**	15-3147X
1975-1976	C10	Auto Trans; THM400; 1 Piece Driveshaft; 1.062" Cup Dia.	A	1	5-213X*	5-1330-1X* 5-1330X**	15-213X
	C10	Standard Trans; 3 Speed; 2 Piece Driveshaft; 1.062" Cup Dia.	B	1,2,3	5-153X*	5-1310-1X* 5-1310X**	15-153X
1975-1977	C10	Auto Trans; THM350; 1 Piece Driveshaft; 1.062" Cup Dia.	A	1	5-153X*	5-1310-1X* 5-1310X**	15-153X
	C10	Auto Trans; THM350; THM400; 1 Piece Driveshaft; 1.062" Cup Dia.	A	2	5-153X*	5-1310-1X* 5-1310X**	15-153X
1975-1978	C10	Standard Trans; 3 Speed; 1 Piece Driveshaft; 1.062" Cup Dia.	A	1	5-153X*	5-1310-1X* 5-1310X**	15-153X
	C10	Standard Trans; 3 Speed; 4 Speed; 1 Piece Driveshaft; 1.188" Cup Dia.	A	1	5-178X*	5-1350-1X* 5-1350X**	15-178X
	C10	Standard Trans; 3 Speed; 4 Speed; 1 Piece Driveshaft; 1.062" Cup Dia.	A	2	5-153X*	5-1310-1X* 5-1310X**	15-153X
	C10	Standard Trans; 3 Speed; 4 Speed; 2 Piece Driveshaft; 1.188" Cup Dia.	B	1	5-178X*	5-1350-1X* 5-1350X**	15-178X

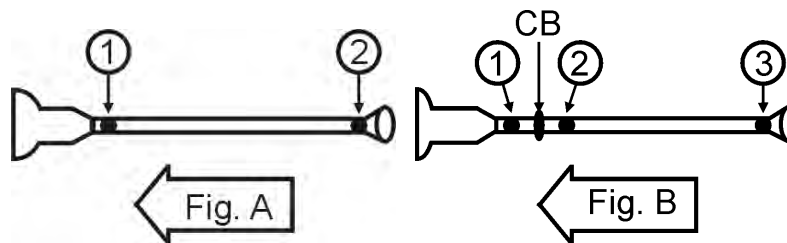
\* GREASEABLE \*\* NON-GREASEABLE

R  
W  
D

**Chevrolet (Cont'd)**

Year	Model	Description	Fig.	Location	Spicer Part #	SPL Part #	SVL Part #
1975-1978	C10	Auto Trans; THM350; 2 Piece Driveshaft; 1.062" Cup Dia.	B	1,2,3	5-153X*	5-1310-1X* 5-1310X**	15-153X
	C10		B	CB	210527X		
1977-1978	C10	Standard Trans; 3 Speed; 2 Piece Driveshaft; 1.062" Cup Dia.	B	1	5-153X*	5-1310-1X* 5-1310X**	15-153X
	C10	Standard Trans; 3 Speed; 4 Speed; 2 Piece Driveshaft; 1.062" Cup Dia.	B	2,3	5-153X*	5-1310-1X* 5-1310X**	15-153X
1978	C10	Auto Trans; THM350; 1 Piece Driveshaft; 1.062" Cup Dia.	A	1,2	5-153X*	5-1310-1X* 5-1310X**	15-153X
	C10	Auto Trans; THM400; 2 Piece Driveshaft; 1.188" Cup Dia.	B	1,3	5-178X*	5-1350-1X* 5-1350X**	15-178X
	C10	Auto Trans; THM400; 2 Piece Driveshaft; 1.125" Cup Dia.	B	2	5-3147X*	5-795X**	15-3147X
1979-1981	C10	1 Piece Driveshaft	A	1,2	5-153X*	5-1310-1X* 5-1310X**	15-153X
	C10	2 Piece Driveshaft; 1.062" Cup Dia.	B	1,2	5-153X*	5-1310-1X* 5-1310X**	15-153X
	C10	2 Piece Driveshaft; 1.188" Cup Dia.	B	1,2	5-178X*	5-1350-1X* 5-1350X**	15-178X
	C10	2 Piece Driveshaft; 1.062" Cup Dia.; 3.500" O.D. Yoke	B	3	5-153X*	5-1310-1X* 5-1310X**	15-153X
	C10	2 Piece Driveshaft; 1.188" Cup Dia.; 3.785" O.D. Yoke	B	3	5-212X*	5-793X**	
	C10	2 Piece Driveshaft; 1.188" Cup Dia.; 4.000" O.D. Yoke	B	3	5-178X*	5-1350-1X* 5-1350X**	15-178X
1982-1986	C10	1 Piece Driveshaft	A	1,2	5-3147X*	5-795X**	15-3147X
	C10	2 Piece Driveshaft; w/ Inside Snap Rings	B	1,2,3	5-3147X*	5-795X**	15-3147X
	C10	2 Piece Driveshaft; w/ Outside Snap Rings	B	1,2,3	5-178X*	5-1350-1X* 5-1350X**	15-178X
1960-1967	C10 Panel	Auto Trans; Exc. Turbo-Hyd; Exc. 3 Speed; 1 Piece Driveshaft	A	1,2	5-153X*	5-1310-1X* 5-1310X**	15-153X
	C10 Panel	3 Speed; 4 Speed; 2 Piece Driveshaft	B	1	5-178X*	5-1350-1X* 5-1350X**	15-178X
	C10 Panel	Auto Trans; Exc. Turbo-Hyd; Exc. 3 Speed; 2 Piece Driveshaft	B	1,2,3	5-153X*	5-1310-1X* 5-1310X**	15-153X
	C10 Panel	3 Speed; 4 Speed; 2 Piece Driveshaft	B	2,3	5-153X*	5-1310-1X* 5-1310X**	15-153X
	C10 Panel		B	CB	210527X		
1960-1974	C10 Pickup	1 Piece Driveshaft; 1.188" Cup Dia.	A	1	5-178X*	5-1350-1X* 5-1350X**	15-178X
	C10 Pickup	1 Piece Driveshaft; 1.062" Cup Dia.	A	1,2	5-153X*	5-1310-1X* 5-1310X**	15-153X
	C10 Pickup		B	CB	210527X		
1968-1969	C10 Pickup	2 Piece Driveshaft; 1.062" Cup Dia.; 3.218" O.D. Yoke	B	1,3	5-153X*	5-1310-1X* 5-1310X**	15-153X
	C10 Pickup	2 Piece Driveshaft; 1.062" Cup Dia.; 3.625" O.D. Yoke	B	1,3	5-213X*	5-1330-1X* 5-1330X**	15-213X
	C10 Pickup	2 Piece Driveshaft; 1.062" Cup Dia.	B	2	5-153X*	5-1310-1X* 5-1310X**	15-153X
1968-1970	C10 Pickup	2 Piece Driveshaft; 1.188" Cup Dia.	B	1,2,3	5-178X*	5-1350-1X* 5-1350X**	15-178X
1970-1974	C10 Pickup	2 Piece Driveshaft; 1.062" Cup Dia.	B	1,2,3	5-153X*	5-1310-1X* 5-1310X**	15-153X
1971-1973	C10 Pickup	2 Piece Driveshaft; 1.188" Cup Dia.	B	1	5-178X*	5-1350-1X* 5-1350X**	15-178X
1967	C10 Suburban	Auto Trans; Exc. Turbo-Hyd; Exc. 3 Speed; 1 Piece Driveshaft	A	1,2	5-153X*	5-1310-1X* 5-1310X**	15-153X
	C10 Suburban	3 Speed; 4 Speed; 2 Piece Driveshaft	B	1	5-178X*	5-1350-1X* 5-1350X**	15-178X
	C10 Suburban	Auto Trans; Exc. Turbo-Hyd; Exc. 3 Speed; 2 Piece Driveshaft	B	1,2,3	5-153X*	5-1310-1X* 5-1310X**	15-153X
	C10 Suburban	3 Speed; 4 Speed; 2 Piece Driveshaft	B	2,3	5-153X*	5-1310-1X* 5-1310X**	15-153X
1967-1978	C10 Suburban		B	CB	210527X		

\* GREASEABLE \*\* NON-GREASEABLE



Chevrolet (Cont'd)

Year	Model	Description	Fig.	Location	Spicer Part #	SPL Part #	SVL Part #
1968	C10 Suburban	2 Piece Driveshaft; 1.188" Cup Dia.	B	1,2	5-178X*	5-1350-1X* 5-1350X**	15-178X
1968-1969	C10 Suburban	2 Piece Driveshaft; 1.062" Cup Dia.; 3.218" O.D. Yoke	B	1,3	5-153X*	5-1310-1X* 5-1310X**	15-153X
	C10 Suburban	2 Piece Driveshaft; 1.062" Cup Dia.; 3.625" O.D. Yoke	B	1,3	5-213X*	5-1330-1X* 5-1330X**	15-213X
	C10 Suburban	2 Piece Driveshaft; 1.062" Cup Dia.	B	2	5-153X*	5-1310-1X* 5-1310X**	15-153X
1968-1974	C10 Suburban	1 Piece Driveshaft; 1.188" Cup Dia.	A	1	5-178X*	5-1350-1X* 5-1350X**	15-178X
	C10 Suburban	1 Piece Driveshaft; 1.062" Cup Dia.	A	1,2	5-153X*	5-1310-1X* 5-1310X**	15-153X
1969-1970	C10 Suburban	2 Piece Driveshaft; 1.188" Cup Dia.	B	1,2,3	5-178X*	5-1330-1X* 5-1350X**	15-178X
1970-1974	C10 Suburban	2 Piece Driveshaft; 1.062" Cup Dia.	B	1,2,3	5-153X*	5-1310-1X* 5-1310X**	15-153X
1975-1977	C10 Suburban	Standard Trans; 3 Speed; 1 Piece Driveshaft; 1.062" Cup Dia.	A	1	5-153X*	5-1310-1X* 5-1310X**	15-153X
	C10 Suburban	Standard Trans; 4 Speed; 1 Piece Driveshaft; 1.188" Cup Dia.	A	1	5-178X*	5-1350-1X* 5-1350X**	15-178X
	C10 Suburban	Standard Trans; 3 Speed; 4 Speed; 1 Piece Driveshaft; 1.062" Cup Dia.	A	2	5-153X*	5-1310-1X* 5-1310X**	15-153X
	C10 Suburban	Standard Trans; 3 Speed; 2 Piece Driveshaft; 1.062" Cup Dia.	B	1	5-153X*	5-1310-1X* 5-1310X**	15-153X
	C10 Suburban	Standard Trans; 3 Speed; 4 Speed; 2 Piece Driveshaft; 1.188" Cup Dia.	B	1	5-178X*	5-1350-1X* 5-1350X**	15-178X
	C10 Suburban	Standard Trans; 3 Speed; 4 Speed; 2 Piece Driveshaft; 1.062" Cup Dia.	B	2,3	5-153X*	5-1310-1X* 5-1310X**	15-153X
1976-1977	C10 Suburban	Auto Trans; THM350; 1 Piece Driveshaft; 1.062" Cup Dia.	A	1,2	5-153X*	5-1310-1X* 5-1310X**	15-153X
	C10 Suburban	Auto Trans; THM350; 2 Piece Driveshaft; 1.062" Cup Dia.	B	1,2,3	5-153X*	5-1310-1X* 5-1310X**	15-153X
1978	C10 Suburban	2 Piece Driveshaft; 1.062" Cup Dia.	B	1	5-153X*	5-1310-1X* 5-1310X**	15-153X
	C10 Suburban	2 Piece Driveshaft; 1.188" Cup Dia.	B	1	5-178X*	5-1350-1X* 5-1350X**	15-178X
	C10 Suburban	Auto Trans; THM350; 2 Piece Driveshaft; 1.062" Cup Dia.	B	2	5-153X*	5-1310-1X* 5-1310X**	15-153X
	C10 Suburban	Auto Trans; THM350; 2 Piece Driveshaft; 1.125" Cup Dia.	B	2	5-3147X*	5-795X**	15-3147X
	C10 Suburban	Standard Trans; 2 Piece Driveshaft; 1.062" Cup Dia.	B	2	5-153X*	5-1310-1X* 5-1310X**	15-153X
	C10 Suburban	3 Speed; 2 Piece Driveshaft; 1.062" Cup Dia.	B	3	5-153X*	5-1310-1X* 5-1310X**	15-153X
	C10 Suburban	4 Speed; 2 Piece Driveshaft; 1.188" Cup Dia.	B	3	5-178X*	5-1350-1X* 5-1350X**	15-178X
1978-1981	C10 Suburban	1 Piece Driveshaft	A	1,2	5-153X*	5-1310-1X* 5-1310X**	15-153X
1979-1981	C10 Suburban	3 Speed; 2 Piece Driveshaft; 1.062" Cup Dia.	B	1,2,3	5-153X*	5-1310-1X* 5-1310X**	15-153X
	C10 Suburban	4 Speed; 2 Piece Driveshaft; 1.188" Cup Dia.	B	1,2,3	5-178X*	5-1350-1X* 5-1350X**	15-178X
1982-1986	C10 Suburban	1 Piece Driveshaft	A	1,2	5-3147X*	5-795X**	15-3147X
	C10 Suburban	2 Piece Driveshaft; w/ Inside Snap Rings	B	1,2,3	5-3147X*	5-795X**	15-3147X

\* GREASEABLE \*\* NON-GREASEABLE

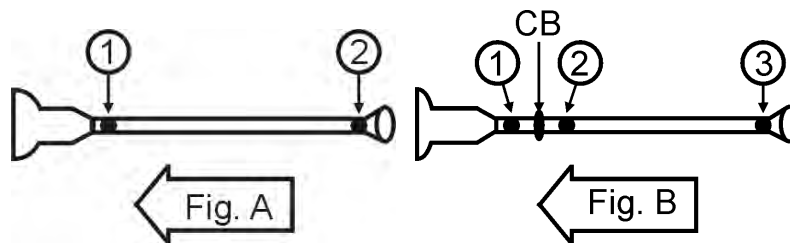
R  
W  
D

**Chevrolet (Cont'd)**

Year	Model	Description	Fig.	Location	Spicer Part #	SPL Part #	SVL Part #
1982-1986	C10 Suburban	2 Piece Driveshaft; w/ Outside Snap Rings	B	1,2,3	5-178X*	5-1350-1X* 5-1350X**	15-178X
1988	C1500	Standard Cab; 1 Piece Driveshaft; w/ Aluminum Driveshaft	A	1,2		5-3614X	
	C1500	Standard Cab; 1 Piece Driveshaft; w/ Steel Driveshaft	A	1,2	5-3147X*	5-795X**	15-3147X
	C1500	Extended Cab; Standard Trans; 5 Speed; 2 Piece Driveshaft; w/ Outside Snap Rings	B	1,2	5-213X*	5-1330-1X* 5-1330X**	15-213X
	C1500	Extended Cab; Standard Trans; 5 Speed; 2 Piece Driveshaft; w/ Inside Snap Rings	B	1,2,3	5-3147X*	5-795X**	15-3147X
	C1500	Standard Cab; 2 Piece Driveshaft	B	1,2,3	5-178X*	5-1350-1X* 5-1350X**	15-178X
	C1500	Extended Cab; Standard Trans; 5 Speed; 2 Piece Driveshaft; w/ Outside Snap Rings	B	3	5-212X*	5-793X**	
1988-1990	C1500	Extended Cab; Standard Trans; 4 Speed; 2 Piece Driveshaft	B	1,2,3	5-178X*	5-1350-1X* 5-1350X**	15-178X
1989-1990	C1500	Standard Cab; 1 Piece Driveshaft; w/ Outside Snap Rings; w/ Aluminum Yoke	A	1		5-3614X	
	C1500	Standard Cab; 1 Piece Driveshaft; w/ Inside Snap Rings; w/ Steel Yoke	A	1,2	5-3147X*	5-795X**	15-3147X
	C1500	Extended Cab; Standard Trans; 5 Speed; 2 Piece Driveshaft	B	1,2	5-213X*	5-1330-1X* 5-1330X**	15-213X
	C1500	Extended Cab; Auto Trans; 2 Piece Driveshaft	B	1,3	5-3147X*	5-795X**	15-3147X
	C1500	Standard Cab; 2 Piece Driveshaft	B	1,3	5-178X*	5-1350-1X* 5-1350X**	15-178X
	C1500	Extended Cab; Auto Trans; 78.0" Bed; 2 Piece Driveshaft	B	2	5-3147X*	5-795X**	15-3147X
	C1500	Extended Cab; Auto Trans; 96.0" Bed; 2 Piece Driveshaft	B	2	5-178X*	5-1350-1X* 5-1350X**	15-178X
	C1500	Extended Cab; Standard Trans; 5 Speed; 2 Piece Driveshaft	B	3	5-212X*	5-793X**	
1989-1991	C1500	Standard Cab; 1 Piece Driveshaft; w/ Outside Snap Rings; w/ Steel Yoke	A	1,2	5-178X*	5-1350-1X* 5-1350X**	15-178X
1991	C1500	Standard Cab; 1 Piece Driveshaft; w/ Inside Snap Rings	A	1,2	5-3147X*	5-795X**	15-3147X
	C1500	Standard Cab; 1 Piece Driveshaft; w/ Outside Snap Rings; w/ Aluminum Yoke	A	1,2		5-3615X	
	C1500	Extended Cab; Auto Trans; 2 Piece Driveshaft	B	1	5-3147X*	5-795X**	15-3147X
	C1500	Standard Cab; Standard Trans; 2 Piece Driveshaft; w/ Aluminum Yoke	B	1		5-3615X	
	C1500	Standard Cab; Standard Trans; 2 Piece Driveshaft; w/ Steel Yoke	B	1	5-178X*	5-1350-1X* 5-1350X**	15-178X
	C1500	Extended Cab; Standard Trans; MG5; 2 Piece Driveshaft; w/ Aluminum Yoke	B	1,2		5-3614X	
	C1500	Extended Cab; Standard Trans; MG5; 2 Piece Driveshaft; w/ Steel Yoke	B	1,2	5-213X*	5-1330-1X* 5-1330X**	15-213X
	C1500	Extended Cab; Standard Trans; SM465/M20; 2 Piece Driveshaft; w/ Aluminum Yoke	B	1,2,3		5-3615X	
	C1500	Extended Cab; Standard Trans; SM465/M20; 2 Piece Driveshaft; w/ Steel Yoke	B	1,2,3	5-178X*	5-1350-1X* 5-1350X**	15-178X
	C1500	Extended Cab; Auto Trans; 2 Piece Driveshaft; w/ Aluminum Yoke	B	2		5-3615X	
	C1500	Extended Cab; Auto Trans; 2 Piece Driveshaft; w/ Steel Yoke	B	2	5-178X*	5-1350-1X* 5-1350X**	15-178X
	C1500	Standard Cab; 2 Piece Driveshaft; w/ Aluminum Yoke	B	2,3		5-3615X	
	C1500	Standard Cab; 2 Piece Driveshaft; w/ Steel Yoke	B	2,3	5-178X*	5-1350-1X* 5-1350X**	15-178X
	C1500	Extended Cab; Auto Trans; 2 Piece Driveshaft; w/ Steel Yoke	B	3	5-3147X*	5-795X**	15-3147X
	C1500	Extended Cab; Standard Trans; MG5; 2 Piece Driveshaft	B	3	5-212X*	5-793X**	

\* GREASEABLE \*\* NON-GREASEABLE

RWD



**Chevrolet (Cont'd)**

Year	Model	Description	Fig.	Location	Spicer Part #	SPL Part #	SVL Part #
1992-1993	C1500	Standard Cab; 96.0" Bed; Standard Trans; 1 Piece Driveshaft	A	1		5-3614X	
	C1500	Standard Cab; 78.0" Bed; 1 Piece Driveshaft; w/ Aluminum Driveshaft Yoke	A	1,2		5-3615X	
	C1500	Standard Cab; 78.0" Bed; 1 Piece Driveshaft; w/ Steel Driveshaft Yoke	A	1,2	5-3147X*	5-795X**	15-3147X
	C1500	Standard Cab; 96.0" Bed; Standard Trans; 1 Piece Driveshaft	A	2	5-212X*	5-793X**	
	C1500	Extended Cab; Standard Trans; NV3500/MG5; 2 Piece Driveshaft; w/ Aluminum Yoke	B	1,2		5-3614X	
	C1500	Extended Cab; Standard Trans; NV3500/MG5; 2 Piece Driveshaft; w/ Steel Yoke	B	1,2	5-213X*	5-1330-1X* 5-1330X**	15-213X
	C1500	Extended Cab; Auto Trans; 2 Piece Driveshaft	B	1,2,3	5-3147X*	5-795X**	15-3147X
	C1500	Extended Cab; Standard Trans; NV3500/MG5; 2 Piece Driveshaft	B	3	5-212X*	5-793X**	
1993	C1500	Extended Cab; Standard Trans; MT8; 2 Piece Driveshaft; w/ Aluminum Yoke	B	1,2,3		5-3615X	
	C1500	Extended Cab; Standard Trans; MT8; 2 Piece Driveshaft; w/ Steel Yoke	B	1,2,3	5-178X*	5-1350-1X* 5-1350X**	15-178X
	C1500	Standard Cab; Standard Trans; MT8; 2 Piece Driveshaft; w/ Aluminum Yoke	B	1,2,3		5-3615X	
	C1500	Standard Cab; Standard Trans; MT8; 2 Piece Driveshaft; w/ Steel Yoke	B	1,2,3	5-178X*	5-1350-1X* 5-1350X**	15-178X
1994	C1500	Extended Cab; Naturally Aspirated; Auto Trans; 2 Piece Driveshaft; w/ Outside Snap Rings	B	1,2	5-213X*	5-1330-1X* 5-1330X**	15-213X
	C1500	Extended Cab; Naturally Aspirated; Auto Trans; 2 Piece Driveshaft; w/ Inside Snap Rings	B	1,2,3	5-3147X*	5-795X**	15-3147X
	C1500	Extended Cab; Naturally Aspirated; Standard Trans; MT8; 2 Piece Driveshaft; w/ Aluminum Yoke	B	1,2,3		5-3615X	
	C1500	Extended Cab; Naturally Aspirated; Standard Trans; MT8; 2 Piece Driveshaft; w/ Steel Yoke	B	1,2,3	5-178X*	5-1350-1X* 5-1350X**	15-178X
	C1500	Standard Cab; Naturally Aspirated; Standard Trans; MT8; 2 Piece Driveshaft	B	1,2,3	5-178X*	5-1350-1X* 5-1350X**	15-178X
	C1500	Extended Cab; Naturally Aspirated; Auto Trans; 2 Piece Driveshaft; w/ Outside Snap Rings	B	3	5-212X*	5-793X**	
1994-1995	C1500	Standard Cab; 96.0" Bed; 1 Piece Driveshaft	A	1		5-3614X	
	C1500	Standard Cab; 96.0" Bed; 1 Piece Driveshaft	A	2	5-212X*	5-793X**	
	C1500	Extended Cab; Naturally Aspirated; Standard Trans; NV3500/MG5; 2 Piece Driveshaft	B	1,2	5-213X*	5-1330-1X* 5-1330X**	15-213X
	C1500	Turbocharged; 2 Piece Driveshaft	B	1,2	5-213X*	5-1330-1X* 5-1330X**	15-213X
	C1500	Extended Cab; Naturally Aspirated; Standard Trans; NV3500/MG5; 2 Piece Driveshaft	B	3	5-212X*	5-793X**	
	C1500	Turbocharged; 2 Piece Driveshaft	B	3	5-212X*	5-793X**	
1995	C1500	Extended Cab; Naturally Aspirated; Auto Trans; 2 Piece Driveshaft	B	1,2	5-213X*	5-1330-1X* 5-1330X**	15-213X

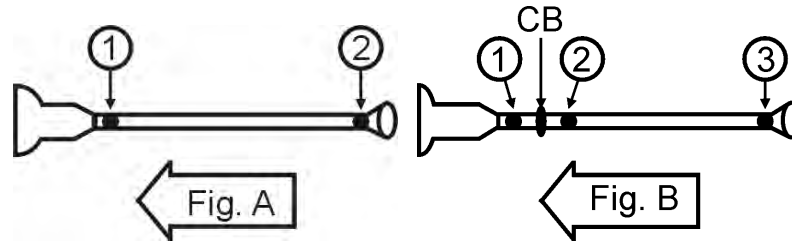
\* GREASEABLE \*\* NON-GREASEABLE

R  
W  
D

**Chevrolet (Cont'd)**

Year	Model	Description	Fig.	Location	Spicer Part #	SPL Part #	SVL Part #
1995	C1500	Extended Cab; Naturally Aspirated; Standard Trans; NV4500/MW3; 2 Piece Driveshaft	B	1,2,3	5-178X*	5-1350-1X* 5-1350X**	15-178X
	C1500	Standard Cab; Naturally Aspirated; Standard Trans; NV4500/MW3; 2 Piece Driveshaft	B	1,2,3	5-178X*	5-1350-1X* 5-1350X**	15-178X
	C1500	Extended Cab; Naturally Aspirated; Auto Trans; 2 Piece Driveshaft	B	3	5-212X*	5-793X**	
1996	C1500	Standard Cab; 78.0" Bed; Standard Trans; 1 Piece Driveshaft; w/ Steel Yoke	A	1,2	5-3147X*	5-795X**	15-3147X
	C1500	Standard Cab; 96.0" Bed; 1 Piece Driveshaft; w/ Aluminum Yoke	A	2	5-212X*	5-793X**	
	C1500	Extended Cab; Auto Trans; 2 Piece Driveshaft	B	1,2	5-213X*	5-1330-1X* 5-1330X**	15-213X
	C1500	Extended Cab; Standard Trans; 5LM60/MG5; NV3500/M50; 2 Piece Driveshaft	B	1,2	5-213X*	5-1330-1X* 5-1330X**	15-213X
	C1500	Standard Cab; Standard Trans; 5LM60/MG5; NV3500/M50; 2 Piece Driveshaft	B	1,2,3	5-178X*	5-1350-1X* 5-1350X**	15-178X
	C1500	Extended Cab; Auto Trans; 2 Piece Driveshaft	B	3	5-212X*	5-793X**	
	C1500	Extended Cab; Standard Trans; 5LM60/MG5; NV3500/M50; 2 Piece Driveshaft	B	3	5-212X*	5-793X**	
1996-1998	C1500	Standard Cab; 96.0" Bed; 1 Piece Driveshaft; w/ Aluminum Yoke	A	1		5-3614X	
1997-1998	C1500	Standard Cab; 96.0" Bed; 1 Piece Driveshaft; w/ Steel Yoke	A	1	5-213X*	5-1330-1X* 5-1330X**	15-213X
	C1500	Standard Cab; 78.0" Bed; 1 Piece Driveshaft	A	1,2	5-3147X*	5-795X**	15-3147X
	C1500	Standard Cab; 96.0" Bed; 1 Piece Driveshaft; w/ Steel Yoke	A	2	5-212X*	5-793X**	
	C1500	Extended Cab; 2 Piece Driveshaft; w/ Aluminum Yoke	B	1,2		5-3614X	
	C1500	Extended Cab; 2 Piece Driveshaft; w/ Steel Yoke	B	1,2	5-213X*	5-1330-1X* 5-1330X**	15-213X
	C1500	Extended Cab; 2 Piece Driveshaft; w/ Steel Yoke	B	3	5-212X*	5-793X**	
1999	C1500	1 Piece Driveshaft	A	1,2	5-3147X*	5-795X**	15-3147X
	C1500	2 Piece Driveshaft	B	1,2,3	5-3147X*	5-795X**	15-3147X
1992-1993	C1500 Suburban	1 Piece Driveshaft; w/ Aluminum Driveshaft	A	1		5-3614X	
	C1500 Suburban	1 Piece Driveshaft; w/ Steel Driveshaft	A	1	5-213X*	5-1330-1X* 5-1330X**	15-213X
1994-1995	C1500 Suburban	1 Piece Driveshaft; w/ Aluminum Driveshaft	A	1,2		5-3615X	
	C1500 Suburban	1 Piece Driveshaft; w/ Steel Driveshaft	A	1,2	5-178X*	5-1350-1X* 5-1350X**	15-178X
1996-1999	C1500 Suburban	1 Piece Driveshaft; w/ Aluminum Driveshaft; 1.062" Cup Dia.	A	1		5-3614X	
	C1500 Suburban	1 Piece Driveshaft; w/ Aluminum Driveshaft; 1.188" Cup Dia.	A	1		5-3615X	
	C1500 Suburban	1 Piece Driveshaft; w/ Steel Driveshaft; 1.062" Cup Dia.	A	1	5-213X*	5-1330-1X* 5-1330X**	15-213X
	C1500 Suburban	1 Piece Driveshaft; w/ Steel Driveshaft; 1.188" Cup Dia.	A	1	5-178X*	5-1350-1X* 5-1350X**	15-178X
	C1500 Suburban	1 Piece Driveshaft	A	2	5-212X*	5-793X**	
1975	C20	2 Piece Driveshaft	B	1	5-153X*	5-1310-1X* 5-1310X**	15-153X
	C20	4.1L; 4.8L; 5.7L; 7.4L; 2 Piece Driveshaft	B	2	5-153X*	5-1310-1X* 5-1310X**	15-153X
1975-1977	C20	2 Piece Driveshaft	B	3	5-178X*	5-1350-1X* 5-1350X**	15-178X
1976	C20	4.1L; 4.8L; 5.7L; 7.4L; 2 Piece Driveshaft	B	1,2	5-153X*	5-1310-1X* 5-1310X**	15-153X
1976-1977	C20	6.6L; 2 Piece Driveshaft	B	1	5-213X*	5-1330-1X* 5-1330X**	15-213X
	C20	6.6L; 2 Piece Driveshaft	B	2	5-178X*	5-1350-1X* 5-1350X**	15-178X
1977	C20	4.1L; 4.8L; 5.0L; 5.7L; 7.4L; 2 Piece Driveshaft	B	1,2	5-153X*	5-1310-1X* 5-1310X**	15-153X

\* GREASEABLE \*\* NON-GREASEABLE



**Chevrolet (Cont'd)**

Year	Model	Description	Fig.	Location	Spicer Part #	SPL Part #	SVL Part #
1978	C20	2 Piece Driveshaft; 1.062" Cup Dia.	B	1,2	5-153X*	5-1310-1X* 5-1310X**	15-153X
	C20	2 Piece Driveshaft; 1.188" Cup Dia.	B	2,3	5-178X*	5-1350-1X* 5-1350X**	15-178X
1978-1980	C20	1 Piece Driveshaft	A	1,2	5-153X*	5-1310-1X* 5-1310X**	15-153X
1979-1980	C20	2 Piece Driveshaft; 1.062" Cup Dia.	B	1,2,3	5-153X*	5-1310-1X* 5-1310X**	15-153X
	C20	2 Piece Driveshaft; 1.188" Cup Dia.	B	3	5-178X*	5-1350-1X* 5-1350X**	15-178X
1981	C20	2-Door; 1.062" Cup Dia.	B	1	5-153X*	5-1310-1X* 5-1310X**	15-153X
	C20	2-Door; 4-Door; 1.188" Cup Dia.	B	1	5-178X*	5-1350-1X* 5-1350X**	15-178X
	C20	2-Door; 1.125" Cup Dia.	B	1,3	5-3147X*	5-795X**	15-3147X
	C20	1.062" Cup Dia.	B	2	5-153X*	5-1310-1X* 5-1310X**	15-153X
	C20	1.125" Cup Dia.	B	2	5-3147X*	5-795X**	15-3147X
	C20	1.188" Cup Dia.	B	2	5-178X*	5-1350-1X* 5-1350X**	15-178X
1982-1986	C20	2 Piece Driveshaft; w/ Inside Snap Rings	B	1,2,3	5-3147X*	5-795X**	15-3147X
	C20	2 Piece Driveshaft; w/ Outside Snap Rings	B	1,2,3	5-178X*	5-1350-1X* 5-1350X**	15-178X
1967	C20 Panel	3 Speed HD Trans; 4 Speed Turbo-Hydramatic Trans; 2 Piece Driveshaft	B	1	5-178X*	5-1350-1X* 5-1350X**	15-178X
	C20 Panel	3 Speed Overdrive Trans; 4 Speed; 2 Piece Driveshaft	B	1,2,3	5-178X*	5-1350-1X* 5-1350X**	15-178X
	C20 Panel	3 Speed HD Trans; 4 Speed Turbo-Hydramatic Trans; 2 Piece Driveshaft	B	2,3	5-153X*	5-1310-1X* 5-1310X**	15-153X
1960-1972	C20 Pickup	2 Piece Driveshaft; 1.062" Cup Dia.	B	1,2,3	5-153X*	5-1310-1X* 5-1310X**	15-153X
	C20 Pickup	2 Piece Driveshaft; 1.188" Cup Dia.	B	1,2,3	5-178X*	5-1350-1X* 5-1350X**	15-178X
1973-1974	C20 Pickup	2 Piece Driveshaft; 1.062" Cup Dia.	B	1,2	5-153X*	5-1310-1X* 5-1310X**	15-153X
	C20 Pickup	2 Piece Driveshaft; 1.188" Cup Dia.	B	3	5-178X*	5-1350-1X* 5-1350X**	15-178X
1967-1972	C20 Suburban	2 Piece Driveshaft; 1.062" Cup Dia.	B	1,2,3	5-153X*	5-1310-1X* 5-1310X**	15-153X
1973-1974	C20 Suburban	4.8L; 5.7L; 7.4L; 2 Piece Driveshaft	B	3	5-178X*	5-1350-1X* 5-1350X**	15-178X
1975	C20 Suburban	2 Piece Driveshaft	B	1,2	5-153X*	5-1310-1X* 5-1310X**	15-153X
1975-1977	C20 Suburban	2 Piece Driveshaft	B	3	5-178X*	5-1350-1X* 5-1350X**	15-178X
1976	C20 Suburban	4.8L; 5.7L; 7.4L; 2 Piece Driveshaft	B	1,2	5-153X*	5-1310-1X* 5-1310X**	15-153X
1976-1977	C20 Suburban	6.6L; 2 Piece Driveshaft	B	1	5-213X*	5-1330-1X* 5-1330X**	15-213X
	C20 Suburban	6.6L; 2 Piece Driveshaft	B	2	5-178X*	5-1350-1X* 5-1350X**	15-178X

\* GREASEABLE \*\* NON-GREASEABLE

R  
W  
D

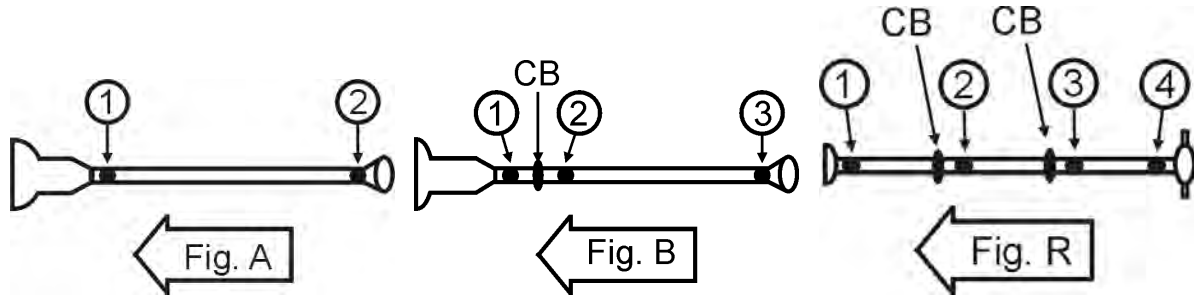
**Chevrolet (Cont'd)**

Year	Model	Description	Fig.	Location	Spicer Part #	SPL Part #	SVL Part #
1977	C20 Suburban	4.8L; 5.0L; 5.7L; 7.4L; 2 Piece Driveshaft	B	1,2	5-153X*	5-1310-1X* 5-1310X**	15-153X
1978-1980	C20 Suburban	Auto Trans; 3 Speed; THM350; 2 Piece Driveshaft	B	1,2,3	5-153X*	5-1310-1X* 5-1310X**	15-153X
	C20 Suburban	Auto Trans; 3 Speed; THM400; 2 Piece Driveshaft	B	1,2,3	5-178X*	5-1350-1X* 5-1350X**	15-178X
	C20 Suburban	Standard Trans; 4 Speed; 2 Piece Driveshaft	B	1,2,3	5-178X*	5-1350-1X* 5-1350X**	15-178X
1981	C20 Suburban	2 Piece Driveshaft	B	1,2	5-178X*	5-1350-1X* 5-1350X**	15-178X
	C20 Suburban	Auto Trans; 2 Piece Driveshaft	B	3	5-153X*	5-1310-1X* 5-1310X**	15-153X
	C20 Suburban	Standard Trans; 2 Piece Driveshaft	B	3	5-3147X*	5-795X**	15-3147X
1982	C20 Suburban	2 Piece Driveshaft; 1.125" Cup Dia.	B	1,2,3	5-3147X*	5-795X**	15-3147X
	C20 Suburban	2 Piece Driveshaft; 1.188" Cup Dia.	B	1,2,3	5-178X*	5-1350-1X* 5-1350X**	15-178X
1982-1986	C20 Suburban	1 Piece Driveshaft	A	1,2	5-3147X*	5-795X**	15-3147X
1983-1986	C20 Suburban	2 Piece Driveshaft; w/ Inside Snap Rings	B	1,2,3	5-3147X*	5-795X**	15-3147X
	C20 Suburban	2 Piece Driveshaft; w/ Outside Snap Rings	B	1,2,3	5-178X*	5-1350-1X* 5-1350X**	15-178X
1988-1998	C2500	Standard Cap Pickup; 2 Piece Driveshaft; w/ Aluminum Driveshaft	A	1,2		5-3615X	
	C2500	Standard Cap Pickup; 2 Piece Driveshaft; w/ Steel Driveshaft	A	1,2	5-178X*	5-1350-1X* 5-1350X**	15-178X
	C2500	Extended Cab; Standard Cap Pickup; 2 Piece Driveshaft; w/ Aluminum Driveshaft	B	1,2,3		5-3615X	
	C2500	Extended Cab; Standard Cap Pickup; 2 Piece Driveshaft; w/ Steel Driveshaft	B	1,2,3	5-178X*	5-1350-1X* 5-1350X**	15-178X
1999	C2500	Auto Trans; 2 Piece Driveshaft; w/ Aluminum Driveshaft	B	1,2,3		5-3615X	
	C2500	Auto Trans; 2 Piece Driveshaft; w/ Steel Driveshaft	B	1,2,3	5-178X*	5-1350-1X* 5-1350X**	15-178X
	C2500	Standard Trans; 2 Piece Driveshaft; w/ Aluminum Driveshaft	B	1,2,3		5-3616X	
	C2500	Standard Trans; 2 Piece Driveshaft; w/ Steel Driveshaft	B	1,2,3	5-160X*	5-1410-1X* 5-1410X**	15-160X
2000	C2500	V8 5.7L; 1 Piece Driveshaft	A	1,2	5-178X*	5-1350-1X* 5-1350X**	15-178X
	C2500	V8 6.5L; 1 Piece Driveshaft	A	1,2	5-178X*	5-1350-1X* 5-1350X**	15-178X
	C2500	V8 7.4L; 1 Piece Driveshaft	A	1,2	5-178X*	5-1350-1X* 5-1350X**	15-178X
1992-1999	C2500 Suburban	1 Piece Driveshaft; w/ Steel Driveshaft	A	1,2	5-178X*	5-1350-1X* 5-1350X**	15-178X
	C2500 Suburban	w/ Aluminum Driveshaft	A	1,2		5-3615X	
1975-1978	C30	Cab & Chassis; Crew Cab; Standard Cab; 2 Piece Driveshaft; 1.188" Cup Dia.	B	1,2	5-178X*	5-1350-1X* 5-1350X**	15-178X
	C30	Cab & Chassis; Standard Cab; 2 Piece Driveshaft; 1.062" Cup Dia.	B	1,2	5-153X*	5-1310-1X* 5-1310X**	15-153X
	C30	2 Piece Driveshaft; 1.188" Cup Dia.	B	3	5-178X*	5-1350-1X* 5-1350X**	15-178X
1979-1986	C30	2 Piece Driveshaft	B	1,2,3	5-178X*	5-1350-1X* 5-1350X**	15-178X
1960-1966	C30 Panel	2 Piece Driveshaft	B	1,2,3	5-178X*	5-1350-1X* 5-1350X**	15-178X
1960-1967	C30 Pickup	2 Piece Driveshaft	B	1,2,3	5-178X*	5-1350-1X* 5-1350X**	15-178X
1968	C30 Pickup	Auto Trans; 4.1L; 4.8L; 5.0L; 2 Piece Driveshaft; 1.062" Cup Dia.	B	1	5-153X*	5-1310-1X* 5-1310X**	15-153X
1968-1969	C30 Pickup	Auto Trans; 6.5L; 2 Piece Driveshaft; 1.062" Cup Dia.	B	1	5-213X*	5-1330-1X* 5-1330X**	15-213X
1968-1972	C30 Pickup	Standard Trans; 2 Piece Driveshaft; 1.188" Cup Dia.	B	1	5-178X*	5-1350-1X* 5-1350X**	15-178X

\* GREASEABLE \*\* NON-GREASEABLE

RWD





**Chevrolet (Cont'd)**

Year	Model	Description	Fig.	Location	Spicer Part #	SPL Part #	SVL Part #
1968-1972	C30 Pickup	2 Piece Driveshaft; 1.188" Cup Dia.	B	2,3	5-178X*	5-1350-1X* 5-1350X**	15-178X
1969	C30 Pickup	Auto Trans; 4.1L; 4.8L; 5.0L; 5.7L; 2 Piece Driveshaft; 1.062" Cup Dia.	B	1	5-153X*	5-1310-1X* 5-1310X**	15-153X
1970-1972	C30 Pickup	Auto Trans; 2 Piece Driveshaft; 1.062" Cup Dia.	B	1	5-153X*	5-1310-1X* 5-1310X**	15-153X
1973-1974	C30 Pickup	Cab & Chassis; Crew Cab; Standard Cab; 2 Piece Driveshaft; 1.188" Cup Dia.	B	1,2	5-178X*	5-1350-1X* 5-1350X**	15-178X
	C30 Pickup	Cab & Chassis; Standard Cab; 2 Piece Driveshaft; 1.062" Cup Dia.	B	1,2	5-153X*	5-1310-1X* 5-1310X**	15-153X
	C30 Pickup	2 Piece Driveshaft; 1.188" Cup Dia.	B	3	5-178X*	5-1350-1X* 5-1350X**	15-178X
1988-1990	C3500	2 Piece Driveshaft; w/ Aluminum Driveshaft	B	1,2,3		5-3615X	
	C3500	2 Piece Driveshaft; w/ Steel Driveshaft	B	1,2,3	5-178X*	5-1350-1X* 5-1350X**	15-178X
1991	C3500	Extended Cab; Standard Cab; 2 Piece Driveshaft; w/ Aluminum Driveshaft	B	1,2,3		5-3615X	
	C3500	Extended Cab; Standard Cab; 2 Piece Driveshaft; w/ Steel Driveshaft	B	1,2,3	5-178X*	5-1350-1X* 5-1350X**	15-178X
1992-1996	C3500	Exc. Cab & Chassis; 2 Piece Driveshaft; w/ Aluminum Driveshaft	B	1,2,3		5-3615X	
	C3500	Exc. Cab & Chassis; 2 Piece Driveshaft; w/ Steel Driveshaft	B	1,2,3	5-178X*	5-1350-1X* 5-1350X**	15-178X
	C3500	Cab & Chassis; 3 Piece Driveshaft	R	1,2,3,4	5-160X*	5-1410-1X* 5-1410X**	15-160X
1997-1998	C3500	183.3" WB; Cab & Chassis; 3 Piece Driveshaft	R	1,2,3,4	5-160X*	5-1410-1X* 5-1410X**	15-160X
1997-1999	C3500	131.5" WB; 155.5" WB; Exc. Cab & Chassis; 2 Piece Driveshaft; w/ Aluminum Driveshaft	B	1,2,3		5-3615X	
	C3500	131.5" WB; 155.5" WB; Exc. Cab & Chassis; 2 Piece Driveshaft; w/ Steel Driveshaft	B	1,2,3	5-178X*	5-1350-1X* 5-1350X**	15-178X
1999	C3500	3 Piece Driveshaft	R	1,2,3,4	5-160X*	5-1410-1X* 5-1410X**	15-160X
2000	C3500	V8 5.7L; 159.5in WB; 1 Piece Driveshaft	A	1,2	5-160X*	5-1410-1X* 5-1410X**	15-160X
	C3500	V8 6.5L; 159.5in WB; 1 Piece Driveshaft	A	1,2	5-160X*	5-1410-1X* 5-1410X**	15-160X
	C3500	V8 7.4L; 159.5in WB; 1 Piece Driveshaft	A	1,2	5-160X*	5-1410-1X* 5-1410X**	15-160X
1995-1996	C60 Kodiak	1480/148N Series; Propeller Shaft Center Support	B	CB	210866-1X		
1997-2002	C6500 Kodiak	1480/148N Series; Propeller Shaft Center Support	B	CB	210866-1X		
1995-1996	C70 Kodiak	1480/148N Series; Propeller Shaft Center Support	B	CB	210866-1X		
1997-2002	C7500 Kodiak	1480/148N Series; Propeller Shaft Center Support	B	CB	210866-1X		
2005	Colorado	Standard Cab; 1 Piece Driveshaft	A	1	5-213X*	5-1330-1X* 5-1330X**	15-213X
	Colorado	Standard Cab; 1 Piece Driveshaft	A	2	5-212X*	5-793X**	

\* GREASEABLE \*\* NON-GREASEABLE

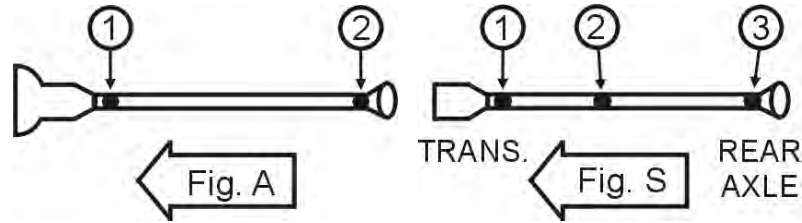
R  
W  
D

**Chevrolet (Cont'd)**

Year	Model	Description	Fig.	Location	Spicer Part #	SPL Part #	SVL Part #
2005	Colorado	Crew Cab; 2 Piece Driveshaft	S	1,2	5-213X*	5-1330-1X* 5-1330X**	15-213X
	Colorado	Extended Cab; 2 Piece Driveshaft	S	1,2	5-213X*	5-1330-1X* 5-1330X**	15-213X
	Colorado	Crew Cab; 2 Piece Driveshaft	S	3	5-212X*	5-793X**	
	Colorado	Extended Cab; 2 Piece Driveshaft	S	3	5-212X*	5-793X**	
2006-2012	Colorado	1 Piece Driveshaft	A	1	5-213X*	5-1330-1X* 5-1330X**	15-213X
	Colorado	1 Piece Driveshaft	A	2	5-212X*	5-793X**	
	Colorado	2 Piece Driveshaft	S	1,2	5-213X*	5-1330-1X* 5-1330X**	15-213X
2015-2016	Colorado	2 Piece Driveshaft	S	3	5-212X*	5-793X**	
	Colorado	1 Piece Driveshaft	A	1,2	5-178X*	5-1350-1X* 5-1350X**	15-178X
1964-1975	Colorado	2 Piece Driveshaft	S	1,2,3	5-178X*	5-1350-1X* 5-1350X**	15-178X
	El Camino		A	1,2	5-153X*	5-1310-1X* 5-1310X**	15-153X
1976-1987	El Camino		A	1,2	5-3147X*	5-795X**	15-3147X
1996-1999	Express 1500	1 Piece Driveshaft; w/ Aluminum Driveshaft	A	1,2		5-3615X	
	Express 1500	1 Piece Driveshaft; w/ Steel Driveshaft	A	1,2	5-178X*	5-1350-1X* 5-1350X**	15-178X
2000-2014	Express 1500	1 Piece Driveshaft	A	1,2	5-178X*	5-1350-1X* 5-1350X**	15-178X
1996-1999	Express 2500	135.0" WB; 1 Piece Driveshaft; w/ Aluminum Driveshaft	A	1,2		5-3615X	
	Express 2500	135.0" WB; 1 Piece Driveshaft; w/ Steel Driveshaft	A	1,2	5-178X*	5-1350-1X* 5-1350X**	15-178X
	Express 2500	155.0" WB; 2 Piece Driveshaft; w/ Aluminum Driveshaft	S	1,2,3		5-3615X	
	Express 2500	155.0" WB; 2 Piece Driveshaft; w/ Steel Driveshaft	S	1,2,3	5-178X*	5-1350-1X* 5-1350X**	15-178X
2000	Express 2500	135.0in WB; 1 Piece Driveshaft	A	1	5-178X*	5-1350-1X* 5-1350X**	15-178X
	Express 2500	V6 4.3L; 135.0in WB; 1 Piece Driveshaft	A	2	5-178X*	5-1350-1X* 5-1350X**	15-178X
	Express 2500	V8 5.0L; 135.0in WB; 1 Piece Driveshaft	A	2	5-178X*	5-1350-1X* 5-1350X**	15-178X
	Express 2500	V8 5.7L; 135.0in WB; 1 Piece Driveshaft	A	2	5-178X*	5-1350-1X* 5-1350X**	15-178X
	Express 2500	V8 6.5L; 135.0in WB; 1 Piece Driveshaft	A	2	5-178X*	5-1350-1X* 5-1350X**	15-178X
	Express 2500	155.0in WB; 2 Piece Driveshaft	S	1	5-178X*	5-1350-1X* 5-1350X**	15-178X
	Express 2500	V6 4.3L; 155.0in WB; 2 Piece Driveshaft	S	2,3	5-178X*	5-1350-1X* 5-1350X**	15-178X
	Express 2500	V8 5.0L; 155.0in WB; 2 Piece Driveshaft	S	2,3	5-178X*	5-1350-1X* 5-1350X**	15-178X
	Express 2500	V8 5.7L; 155.0in WB; 2 Piece Driveshaft	S	2,3	5-178X*	5-1350-1X* 5-1350X**	15-178X
	Express 2500	V8 6.5L; 155.0in WB; 2 Piece Driveshaft	S	2,3	5-178X*	5-1350-1X* 5-1350X**	15-178X
2001	Express 2500	V8 5.7L; 135.0in WB; 1 Piece Driveshaft	A	1,2	5-178X*	5-1350-1X* 5-1350X**	15-178X
	Express 2500	V8 5.7L; 155.0in WB; 2 Piece Driveshaft	S	1,2,3	5-178X*	5-1350-1X* 5-1350X**	15-178X
2001-2002	Express 2500	V8 5.0L; 135.0in WB; 1 Piece Driveshaft	A	1,2	5-178X*	5-1350-1X* 5-1350X**	15-178X
	Express 2500	V8 6.5L; 135.0in WB; 1 Piece Driveshaft	A	1,2	5-178X*	5-1350-1X* 5-1350X**	15-178X
	Express 2500	V8 5.0L; 155.0in WB; 2 Piece Driveshaft	S	1,2,3	5-178X*	5-1350-1X* 5-1350X**	15-178X
	Express 2500	V8 6.5L; 155.0in WB; 2 Piece Driveshaft	S	1,2,3	5-178X*	5-1350-1X* 5-1350X**	15-178X

\* GREASEABLE \*\* NON-GREASEABLE

RWD



**Chevrolet (Cont'd)**

Year	Model	Description	Fig.	Location	Spicer Part #	SPL Part #	SVL Part #
2001-2005	Express 2500	V6 4.3L; 135.0in WB; 1 Piece Driveshaft	A	1,2	5-178X*	5-1350-1X* 5-1350X**	15-178X
	Express 2500	V6 4.3L; 155.0in WB; 2 Piece Driveshaft	S	1,2,3	5-178X*	5-1350-1X* 5-1350X**	15-178X
2002	Express 2500	V8 5.7L; 135.0in WB; 1 Piece Driveshaft	A	1	5-178X*	5-1350-1X* 5-1350X**	15-178X
	Express 2500	V8 5.7L; Bi-Fuel; 135.0in WB; 1 Piece Driveshaft	A	2	5-178X*	5-1350-1X* 5-1350X**	15-178X
	Express 2500	V8 5.7L; Gas; 135.0in WB; 1 Piece Driveshaft	A	2	5-178X*	5-1350-1X* 5-1350X**	15-178X
	Express 2500	V8 5.7L; 155.0in WB; 2 Piece Driveshaft	S	1,2	5-178X*	5-1350-1X* 5-1350X**	15-178X
	Express 2500	V8 5.7L; Bi-Fuel; 155.0in WB; 2 Piece Driveshaft	S	3	5-178X*	5-1350-1X* 5-1350X**	15-178X
	Express 2500	V8 5.7L; Gas; 155.0in WB; 2 Piece Driveshaft	S	3	5-178X*	5-1350-1X* 5-1350X**	15-178X
	Express 2500	V8 6.0L; 155.0in WB; 2 Piece Driveshaft	S	1,2,3	5-178X*	5-1350-1X* 5-1350X**	15-178X
2003-2005	Express 2500	V8 5.3L; 135.0in WB; 1 Piece Driveshaft	A	1,2	5-178X*	5-1350-1X* 5-1350X**	15-178X
	Express 2500	V8 4.8L; 155.0in WB; 2 Piece Driveshaft	S	1,2,3	5-178X*	5-1350-1X* 5-1350X**	15-178X
	Express 2500	V8 5.3L; 155.0in WB; 2 Piece Driveshaft	S	1,2,3	5-178X*	5-1350-1X* 5-1350X**	15-178X
2003-2007	Express 2500	V8 4.8L; 135.0in WB; 1 Piece Driveshaft	A	1,2	5-178X*	5-1350-1X* 5-1350X**	15-178X
2004	Express 2500	V8 6.0L; CNG; 135.0in WB; 1 Piece Driveshaft	A	2	5-178X*	5-1350-1X* 5-1350X**	15-178X
	Express 2500	V8 6.0L; Gas; 135.0in WB; 1 Piece Driveshaft	A	2	5-178X*	5-1350-1X* 5-1350X**	15-178X
	Express 2500	V8 6.0L; CNG; 155.0in WB; 2 Piece Driveshaft	S	2,3	5-178X*	5-1350-1X* 5-1350X**	15-178X
	Express 2500	V8 6.0L; Gas; 155.0in WB; 2 Piece Driveshaft	S	2,3	5-178X*	5-1350-1X* 5-1350X**	15-178X
2005	Express 2500	V8 6.0L; CNG; 155.0in WB; 2 Piece Driveshaft	S	2	5-178X*	5-1350-1X* 5-1350X**	15-178X
	Express 2500	V8 6.0L; Gas; 155.0in WB; 2 Piece Driveshaft	S	2	5-178X*	5-1350-1X* 5-1350X**	15-178X
2005-2007	Express 2500	V8 6.0L; 135.0in WB; 1 Piece Driveshaft	A	1,2	5-178X*	5-1350-1X* 5-1350X**	15-178X
	Express 2500	V8 6.0L; 155.0in WB; 2 Piece Driveshaft	S	1,3	5-178X*	5-1350-1X* 5-1350X**	15-178X
2006	Express 2500	V8 6.6L; 135.0in WB; 1 Piece Driveshaft	A	1,2	5-178X*	5-1350-1X* 5-1350X**	15-178X
	Express 2500	V8 6.6L; 155.0in WB; 2 Piece Driveshaft	S	1,3	5-178X*	5-1350-1X* 5-1350X**	15-178X
	Express 2500	155.0in WB; 2 Piece Driveshaft	S	2	5-178X*	5-1350-1X* 5-1350X**	15-178X
2006-2007	Express 2500	V8 4.8L; 155.0in WB; 2 Piece Driveshaft	S	1,3	5-178X*	5-1350-1X* 5-1350X**	15-178X
2007	Express 2500	V8 6.6L; LLY Engine; 135.0in WB; 1 Piece Driveshaft	A	1,2	5-178X*	5-1350-1X* 5-1350X**	15-178X
	Express 2500	V8 6.6L; LMM Engine; 135.0in WB; 1 Piece Driveshaft	A	1,2	5-178X*	5-1350-1X* 5-1350X**	15-178X

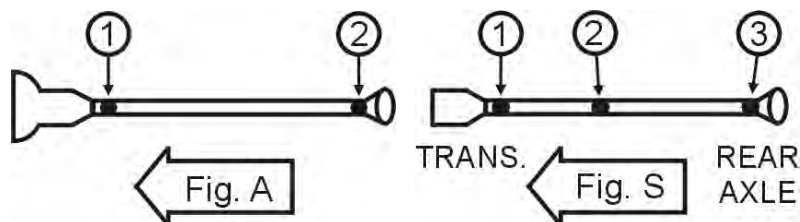
\* GREASEABLE \*\* NON-GREASEABLE

RWD

**Chevrolet (Cont'd)**

Year	Model	Description	Fig.	Location	Spicer Part #	SPL Part #	SVL Part #
2007	Express 2500	V8 6.6L; LLY Engine; 155.0in WB; 2 Piece Driveshaft	S	1,3	5-178X*	5-1350-1X* 5-1350X**	15-178X
	Express 2500	V8 6.6L; LMM Engine; 155.0in WB; 2 Piece Driveshaft	S	1,3	5-178X*	5-1350-1X* 5-1350X**	15-178X
	Express 2500	V8 4.8L; Base; 155.0in WB; 2 Piece Driveshaft	S	2	5-178X*	5-1350-1X* 5-1350X**	15-178X
	Express 2500	V8 6.0L; Base; 155.0in WB; 2 Piece Driveshaft	S	2	5-178X*	5-1350-1X* 5-1350X**	15-178X
	Express 2500	V8 6.6L; LLY Engine; Base; 155.0in WB; 2 Piece Driveshaft	S	2	5-178X*	5-1350-1X* 5-1350X**	15-178X
	Express 2500	V8 6.6L; LMM Engine; Base; 155.0in WB; 2 Piece Driveshaft	S	2	5-178X*	5-1350-1X* 5-1350X**	15-178X
2008-2010	Express 2500	V8 4.8L; 135.0in WB; 1 Piece Driveshaft	A	1	5-178X*	5-1350-1X* 5-1350X**	15-178X
	Express 2500	V8 6.0L; 135.0in WB; 1 Piece Driveshaft	A	1	5-178X*	5-1350-1X* 5-1350X**	15-178X
	Express 2500	V8 6.6L; 135.0in WB; 1 Piece Driveshaft	A	1	5-178X*	5-1350-1X* 5-1350X**	15-178X
	Express 2500	135.0in WB; 1 Piece Driveshaft	A	2	5-178X*	5-1350-1X* 5-1350X**	15-178X
	Express 2500	V8 4.8L; 155.0in WB; 2 Piece Driveshaft	S	1	5-178X*	5-1350-1X* 5-1350X**	15-178X
	Express 2500	V8 6.0L; 155.0in WB; 2 Piece Driveshaft	S	1	5-178X*	5-1350-1X* 5-1350X**	15-178X
	Express 2500	V8 6.6L; 155.0in WB; 2 Piece Driveshaft	S	1	5-178X*	5-1350-1X* 5-1350X**	15-178X
	Express 2500	Base; 155.0in WB; 2 Piece Driveshaft	S	2	5-178X*	5-1350-1X* 5-1350X**	15-178X
	Express 2500	155.0in WB; 2 Piece Driveshaft	S	3	5-178X*	5-1350-1X* 5-1350X**	15-178X
2011-2016	Express 2500	V8 4.8L; 135.0in WB; 1 Piece Driveshaft	A	1,2	5-160X*	5-1410-1X* 5-1410X**	15-160X
	Express 2500	V8 6.0L; 135.0in WB; 1 Piece Driveshaft	A	1,2	5-160X*	5-1410-1X* 5-1410X**	15-160X
	Express 2500	V8 6.6L; 135.0in WB; 1 Piece Driveshaft	A	1,2	5-188X*	SPL55-1X* SPL55X**	15-188X
	Express 2500	V8 4.8L; 155.0in WB; 2 Piece Driveshaft	S	1,3	5-160X*	5-1410-1X* 5-1410X**	15-160X
	Express 2500	V8 6.0L; 155.0in WB; 2 Piece Driveshaft	S	1,3	5-160X*	5-1410-1X* 5-1410X**	15-160X
	Express 2500	V8 6.6L; 155.0in WB; 2 Piece Driveshaft	S	1,3	5-188X*	SPL55-1X* SPL55X**	15-188X
	Express 2500	V8 4.8L; Base; 155.0in WB; 2 Piece Driveshaft	S	2	5-160X*	5-1410-1X* 5-1410X**	15-160X
	Express 2500	V8 6.0L; Base; 155.0in WB; 2 Piece Driveshaft	S	2	5-160X*	5-1410-1X* 5-1410X**	15-160X
	Express 2500	V8 6.6L; Base; 155.0in WB; 2 Piece Driveshaft	S	2	5-188X*	SPL55-1X* SPL55X**	15-188X
1996-1999	Express 3500	135.0" WB; 139.0" WB; 1 Piece Aluminum Driveshaft	A	1,2		5-3615X	
	Express 3500	135.0" WB; 139.0" WB; 1 Piece Steel Driveshaft	A	1,2	5-178X*	5-1350-1X* 5-1350X**	15-178X
	Express 3500	155.0" WB; 159.0" WB; 177.0" WB; 2 Piece Aluminum Driveshaft	S	1,2,3		5-3615X	
	Express 3500	155.0" WB; 159.0" WB; 177.0" WB; 2 Piece Steel Driveshaft	S	1,2,3	5-178X*	5-1350-1X* 5-1350X**	15-178X
2000	Express 3500	V8 7.4L; 135.0in WB; 1 Piece Driveshaft	A	1,2	5-178X*	5-1350-1X* 5-1350X**	15-178X
	Express 3500	V8 7.4L; 139.0in WB; 2 Piece Driveshaft; Dual Rear Wheels	S	1,2,3	5-160X*	5-1410-1X* 5-1410X**	15-160X
	Express 3500	V8 7.4L; 139.0in WB; 2 Piece Driveshaft; Single Rear Wheels	S	1,2,3	5-178X*	5-1350-1X* 5-1350X**	15-178X
	Express 3500	V8 7.4L; 155.0in WB; 2 Piece Driveshaft; Dual Rear Wheels	S	1,2,3	5-160X*	5-1410-1X* 5-1410X**	15-160X

\* GREASEABLE \*\* NON-GREASEABLE



Chevrolet (Cont'd)

Year	Model	Description	Fig.	Location	Spicer Part #	SPL Part #	SVL Part #
2000	Express 3500	V8 7.4L; 155.0in WB; 2 Piece Driveshaft; Single Rear Wheels	S	1,2,3	5-178X*	5-1350-1X* 5-1350X**	15-178X
	Express 3500	V8 7.4L; 159.0in WB; 2 Piece Driveshaft; Dual Rear Wheels	S	1,2,3	5-160X*	5-1410-1X* 5-1410X**	15-160X
	Express 3500	V8 7.4L; 159.0in WB; 2 Piece Driveshaft; Single Rear Wheels	S	1,2,3	5-178X*	5-1350-1X* 5-1350X**	15-178X
	Express 3500	V8 7.4L; 177.0in WB; 2 Piece Driveshaft; Dual Rear Wheels	S	1,2,3	5-160X*	5-1410-1X* 5-1410X**	15-160X
	Express 3500	V8 7.4L; 177.0in WB; 2 Piece Driveshaft; Single Rear Wheels	S	1,2,3	5-178X*	5-1350-1X* 5-1350X**	15-178X
2000-2001	Express 3500	V8 6.5L; 155.0in WB; 2 Piece Driveshaft	S	1,2,3	5-178X*	5-1350-1X* 5-1350X**	15-178X
2000-2002	Express 3500	V8 5.7L; 135.0in WB; 1 Piece Driveshaft	A	1,2	5-178X*	5-1350-1X* 5-1350X**	15-178X
	Express 3500	V8 6.5L; 135.0in WB; 1 Piece Driveshaft	A	1,2	5-178X*	5-1350-1X* 5-1350X**	15-178X
	Express 3500	V8 5.7L; 139.0in WB; 2 Piece Driveshaft	S	1,2,3	5-178X*	5-1350-1X* 5-1350X**	15-178X
	Express 3500	V8 5.7L; 155.0in WB; 2 Piece Driveshaft	S	1,2,3	5-178X*	5-1350-1X* 5-1350X**	15-178X
	Express 3500	V8 5.7L; 159.0in WB; 2 Piece Driveshaft	S	1,2,3	5-178X*	5-1350-1X* 5-1350X**	15-178X
	Express 3500	V8 5.7L; 177.0in WB; 2 Piece Driveshaft	S	1,2,3	5-178X*	5-1350-1X* 5-1350X**	15-178X
	Express 3500	V8 6.5L; 139.0in WB; 2 Piece Driveshaft	S	1,2,3	5-178X*	5-1350-1X* 5-1350X**	15-178X
	Express 3500	V8 6.5L; 159.0in WB; 2 Piece Driveshaft	S	1,2,3	5-178X*	5-1350-1X* 5-1350X**	15-178X
	Express 3500	V8 6.5L; 177.0in WB; 2 Piece Driveshaft	S	1,2,3	5-178X*	5-1350-1X* 5-1350X**	15-178X
2001-2002	Express 3500	V8 8.1L; 135.0in WB; 1 Piece Driveshaft	A	1,2	5-178X*	5-1350-1X* 5-1350X**	15-178X
	Express 3500	V8 8.1L; 139.0in WB; 2 Piece Driveshaft; Dual Rear Wheels	S	1,2,3	5-160X*	5-1410-1X* 5-1410X**	15-160X
	Express 3500	V8 8.1L; 139.0in WB; 2 Piece Driveshaft; Single Rear Wheels	S	1,2,3	5-178X*	5-1350-1X* 5-1350X**	15-178X
	Express 3500	V8 8.1L; 155.0in WB; 2 Piece Driveshaft; Dual Rear Wheels	S	1,2,3	5-160X*	5-1410-1X* 5-1410X**	15-160X
	Express 3500	V8 8.1L; 155.0in WB; 2 Piece Driveshaft; Single Rear Wheels	S	1,2,3	5-178X*	5-1350-1X* 5-1350X**	15-178X
	Express 3500	V8 8.1L; 159.0in WB; 2 Piece Driveshaft; Dual Rear Wheels	S	1,2,3	5-160X*	5-1410-1X* 5-1410X**	15-160X
	Express 3500	V8 8.1L; 159.0in WB; 2 Piece Driveshaft; Single Rear Wheels	S	1,2,3	5-178X*	5-1350-1X* 5-1350X**	15-178X
	Express 3500	V8 8.1L; 177.0in WB; 2 Piece Driveshaft; Dual Rear Wheels	S	1,2,3	5-160X*	5-1410-1X* 5-1410X**	15-160X
	Express 3500	V8 8.1L; 177.0in WB; 2 Piece Driveshaft; Single Rear Wheels	S	1,2,3	5-178X*	5-1350-1X* 5-1350X**	15-178X
2003-2004	Express 3500	V8 6.0L; CNG; 139.0in WB; 1 Piece Driveshaft	A	1,2	5-160X*	5-1410-1X* 5-1410X**	15-160X
	Express 3500	V8 6.0L; Gas; 139.0in WB; 1 Piece Driveshaft	A	1,2	5-160X*	5-1410-1X* 5-1410X**	15-160X
2003-2005	Express 3500	V8 6.0L; CNG; 135.0in WB; 1 Piece Driveshaft	A	1,2	5-178X*	5-1350-1X* 5-1350X**	15-178X

\* GREASEABLE \*\* NON-GREASEABLE

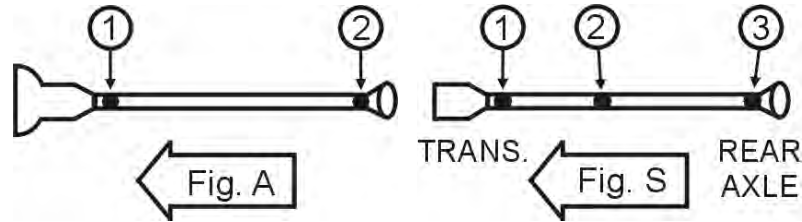
RWD

**Chevrolet (Cont'd)**

Year	Model	Description	Fig.	Location	Spicer Part #	SPL Part #	SVL Part #
2003-2005	Express 3500	V8 6.0L; Gas; 135.0in WB; 1 Piece Driveshaft	A	1,2	5-178X*	5-1350-1X* 5-1350X**	15-178X
	Express 3500	V8 6.0L; CNG; 159.0in WB; 2 Piece Driveshaft	S	1	5-178X*	5-1350-1X* 5-1350X**	15-178X
	Express 3500	V8 6.0L; CNG; 177.0in WB; 2 Piece Driveshaft	S	1	5-178X*	5-1350-1X* 5-1350X**	15-178X
	Express 3500	V8 6.0L; Gas; 159.0in WB; 2 Piece Driveshaft	S	1	5-178X*	5-1350-1X* 5-1350X**	15-178X
	Express 3500	V8 6.0L; Gas; 177.0in WB; 2 Piece Driveshaft	S	1	5-178X*	5-1350-1X* 5-1350X**	15-178X
	Express 3500	V8 6.0L; CNG; 155.0in WB; 2 Piece Driveshaft	S	1,2,3	5-178X*	5-1350-1X* 5-1350X**	15-178X
	Express 3500	V8 6.0L; Gas; 155.0in WB; 2 Piece Driveshaft	S	1,2,3	5-178X*	5-1350-1X* 5-1350X**	15-178X
	Express 3500	V8 6.0L; CNG; 159.0in WB; 2 Piece Driveshaft	S	2,3	5-160X*	5-1410-1X* 5-1410X**	15-160X
	Express 3500	V8 6.0L; CNG; 177.0in WB; 2 Piece Driveshaft	S	2,3	5-160X*	5-1410-1X* 5-1410X**	15-160X
	Express 3500	V8 6.0L; Gas; 159.0in WB; 2 Piece Driveshaft	S	2,3	5-160X*	5-1410-1X* 5-1410X**	15-160X
Express 3500	V8 6.0L; Gas; 177.0in WB; 2 Piece Driveshaft	S	2,3	5-160X*	5-1410-1X* 5-1410X**	15-160X	
2004	Express 3500	V8 4.8L; 139.0in WB; 1 Piece Driveshaft	A	1,2	5-160X*	5-1410-1X* 5-1410X**	15-160X
2004-2006	Express 3500	V8 4.8L; 177.0in WB; 2 Piece Driveshaft	S	1	5-178X*	5-1350-1X* 5-1350X**	15-178X
	Express 3500	V8 4.8L; 177.0in WB; 2 Piece Driveshaft	S	2,3	5-160X*	5-1410-1X* 5-1410X**	15-160X
2004-2010	Express 3500	V8 4.8L; 135.0in WB; 1 Piece Driveshaft	A	1,2	5-178X*	5-1350-1X* 5-1350X**	15-178X
	Express 3500	V8 4.8L; 159.0in WB; 2 Piece Driveshaft	S	1	5-178X*	5-1350-1X* 5-1350X**	15-178X
	Express 3500	V8 4.8L; 155.0in WB; 2 Piece Driveshaft	S	1,2,3	5-178X*	5-1350-1X* 5-1350X**	15-178X
	Express 3500	V8 4.8L; 159.0in WB; 2 Piece Driveshaft	S	2,3	5-160X*	5-1410-1X* 5-1410X**	15-160X
2005	Express 3500	V8 6.0L; CNG; 139.0in WB; 1 Piece Driveshaft; Dual Rear Wheels	A	1,2	5-160X*	5-1410-1X* 5-1410X**	15-160X
	Express 3500	V8 6.0L; CNG; 139.0in WB; 1 Piece Driveshaft; Single Rear Wheels	A	1,2	5-178X*	5-1350-1X* 5-1350X**	15-178X
	Express 3500	V8 6.0L; Gas; 139.0in WB; 1 Piece Driveshaft; Dual Rear Wheels	A	1,2	5-160X*	5-1410-1X* 5-1410X**	15-160X
	Express 3500	V8 6.0L; Gas; 139.0in WB; 1 Piece Driveshaft; Single Rear Wheels	A	1,2	5-178X*	5-1350-1X* 5-1350X**	15-178X
2005-2010	Express 3500	V8 4.8L; 139.0in WB; 1 Piece Driveshaft; Dual Rear Wheels	A	1,2	5-160X*	5-1410-1X* 5-1410X**	15-160X
	Express 3500	V8 4.8L; 139.0in WB; 1 Piece Driveshaft; Single Rear Wheels	A	1,2	5-178X*	5-1350-1X* 5-1350X**	15-178X
2006	Express 3500	V8 6.0L; 177.0in WB; 2 Piece Driveshaft	S	1	5-178X*	5-1350-1X* 5-1350X**	15-178X
	Express 3500	V8 6.6L; 177.0in WB; 2 Piece Driveshaft	S	1	5-178X*	5-1350-1X* 5-1350X**	15-178X
	Express 3500	V8 6.0L; 177.0in WB; 2 Piece Driveshaft	S	2,3	5-160X*	5-1410-1X* 5-1410X**	15-160X
	Express 3500	V8 6.6L; 177.0in WB; 2 Piece Driveshaft	S	2,3	5-160X*	5-1410-1X* 5-1410X**	15-160X
2006-2009	Express 3500	V8 6.0L; 135.0in WB; 1 Piece Driveshaft	A	1,2	5-178X*	5-1350-1X* 5-1350X**	15-178X
	Express 3500	V8 6.0L; 139.0in WB; 1 Piece Driveshaft; Dual Rear Wheels	A	1,2	5-160X*	5-1410-1X* 5-1410X**	15-160X
	Express 3500	V8 6.0L; 139.0in WB; 1 Piece Driveshaft; Single Rear Wheels	A	1,2	5-178X*	5-1350-1X* 5-1350X**	15-178X
	Express 3500	V8 6.6L; 135.0in WB; 1 Piece Driveshaft	A	1,2	5-178X*	5-1350-1X* 5-1350X**	15-178X

\* GREASEABLE \*\* NON-GREASEABLE

RWD



**Chevrolet (Cont'd)**

Year	Model	Description	Fig.	Location	Spicer Part #	SPL Part #	SVL Part #
2006-2009	Express 3500	V8 6.0L; 159.0in WB; 2 Piece Driveshaft	S	1	5-178X*	5-1350-1X* 5-1350X**	15-178X
	Express 3500	V8 6.0L; 155.0in WB; 2 Piece Driveshaft	S	1,2,3	5-178X*	5-1350-1X* 5-1350X**	15-178X
	Express 3500	V8 6.0L; 159.0in WB; 2 Piece Driveshaft	S	2,3	5-160X*	5-1410-1X* 5-1410X**	15-160X
2006-2010	Express 3500	V8 6.6L; 139.0in WB; 1 Piece Driveshaft; Dual Rear Wheels	A	1,2	5-160X*	5-1410-1X* 5-1410X**	15-160X
	Express 3500	V8 6.6L; 139.0in WB; 1 Piece Driveshaft; Single Rear Wheels	A	1,2	5-178X*	5-1350-1X* 5-1350X**	15-178X
	Express 3500	V8 6.6L; 159.0in WB; 2 Piece Driveshaft	S	1	5-178X*	5-1350-1X* 5-1350X**	15-178X
	Express 3500	V8 6.6L; 155.0in WB; 2 Piece Driveshaft	S	1,2,3	5-178X*	5-1350-1X* 5-1350X**	15-178X
	Express 3500	V8 6.6L; 159.0in WB; 2 Piece Driveshaft	S	2,3	5-160X*	5-1410-1X* 5-1410X**	15-160X
2010	Express 3500	V8 6.0L; 135.0in WB; 1 Piece Driveshaft	A	1,2	5-160X*	5-1410-1X* 5-1410X**	15-160X
	Express 3500	V8 6.0L; 139.0in WB; 1 Piece Driveshaft; Dual Rear Wheels	A	1,2	5-188X*	SPL55-1X* SPL55X**	15-188X
	Express 3500	V8 6.0L; 139.0in WB; 1 Piece Driveshaft; Single Rear Wheels	A	1,2	5-160X*	5-1410-1X* 5-1410X**	15-160X
	Express 3500	V8 6.6L; 135.0in WB; 1 Piece Driveshaft	A	2	5-178X*	5-1350-1X* 5-1350X**	15-178X
	Express 3500	V8 6.0L; 159.0in WB; 2 Piece Driveshaft	S	1	5-160X*	5-1410-1X* 5-1410X**	15-160X
	Express 3500	V8 6.0L; 155.0in WB; 2 Piece Driveshaft	S	1,2	5-160X*	5-1410-1X* 5-1410X**	15-160X
	Express 3500	V8 6.0L; 155.0in WB; 2 Piece Driveshaft	S	3	5-160X* 5-178X*	5-1350-1X* 5-1350X** 5-1410-1X* 5-1410X**	15-160X 15-178X
2010-2016	Express 3500	V8 6.0L; 159.0in WB; 2 Piece Driveshaft	S	2,3	5-188X*	SPL55-1X* SPL55X**	15-188X
2011	Express 3500	V8 6.6L; 1 Piece Driveshaft	A	2	5-188X*	SPL55-1X* SPL55X**	15-188X
	Express 3500	V8 6.6L; 2 Piece Driveshaft	S	1	5-188X*	SPL55-1X* SPL55X**	15-188X
2011-2016	Express 3500	V8 4.8L; 155.0in WB; 1 Piece Driveshaft	A	1	5-160X*	5-1410-1X* 5-1410X**	15-160X
	Express 3500	V8 4.8L; 159.0in WB; 1 Piece Driveshaft	A	1	5-188X*	SPL55-1X* SPL55X**	15-188X
	Express 3500	V8 4.8L; 177.0in WB; 1 Piece Driveshaft	A	1	5-188X*	SPL55-1X* SPL55X**	15-188X
	Express 3500	V8 6.0L; 155.0in WB; 1 Piece Driveshaft	A	1	5-160X*	5-1410-1X* 5-1410X**	15-160X
	Express 3500	V8 6.0L; 159.0in WB; 1 Piece Driveshaft	A	1	5-188X*	SPL55-1X* SPL55X**	15-188X
	Express 3500	V8 6.0L; 177.0in WB; 1 Piece Driveshaft	A	1	5-188X*	SPL55-1X* SPL55X**	15-188X
	Express 3500	V8 4.8L; 135.0in WB; 1 Piece Driveshaft	A	2	5-188X*	SPL55-1X* SPL55X**	15-188X
	Express 3500	V8 4.8L; 139.0in WB; 1 Piece Driveshaft	A	2	5-188X*	SPL55-1X* SPL55X**	15-188X

\* GREASEABLE \*\* NON-GREASEABLE

RWD

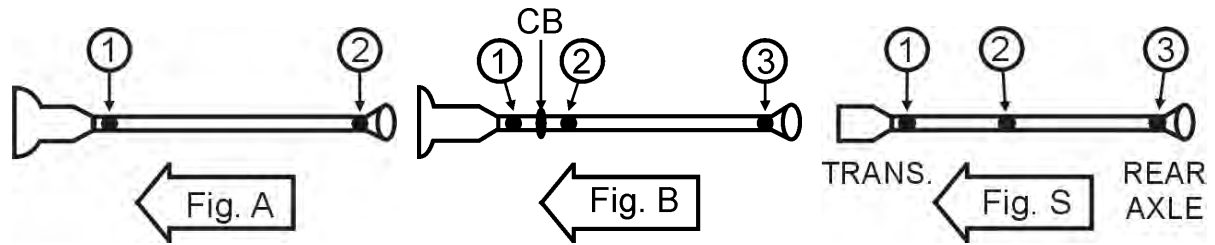
**Chevrolet (Cont'd)**

Year	Model	Description	Fig.	Location	Spicer Part #	SPL Part #	SVL Part #
2011-2016	Express 3500	V8 6.0L; 135.0in WB; 1 Piece Driveshaft	A	2	5-188X*	SPL55-1X* SPL55X**	15-188X
	Express 3500	V8 6.0L; 139.0in WB; 1 Piece Driveshaft	A	2	5-188X*	SPL55-1X* SPL55X**	15-188X
	Express 3500	V8 4.8L; 135.0in WB; 2 Piece Driveshaft	S	1	5-188X*	SPL55-1X* SPL55X**	15-188X
	Express 3500	V8 4.8L; 139.0in WB; 2 Piece Driveshaft	S	1	5-188X*	SPL55-1X* SPL55X**	15-188X
	Express 3500	V8 6.0L; 135.0in WB; 2 Piece Driveshaft	S	1	5-188X*	SPL55-1X* SPL55X**	15-188X
	Express 3500	V8 6.0L; 139.0in WB; 2 Piece Driveshaft	S	1	5-188X*	SPL55-1X* SPL55X**	15-188X
	Express 3500	V8 4.8L; 155.0in WB; 2 Piece Driveshaft	S	2,3	5-160X*	5-1410-1X* 5-1410X**	15-160X
	Express 3500	V8 4.8L; 159.0in WB; 2 Piece Driveshaft	S	2,3	5-188X*	SPL55-1X* SPL55X**	15-188X
	Express 3500	V8 4.8L; 177.0in WB; 2 Piece Driveshaft	S	2,3	5-188X*	SPL55-1X* SPL55X**	15-188X
	Express 3500	V8 6.0L; 155.0in WB; 2 Piece Driveshaft	S	2,3	5-160X*	5-1410-1X* 5-1410X**	15-160X
	Express 3500	V8 6.0L; 177.0in WB; 2 Piece Driveshaft	S	2,3	5-188X*	SPL55-1X* SPL55X**	15-188X
2012-2016	Express 3500	V8 6.6L; 155.0in WB; 1 Piece Driveshaft	A	1	5-188X*	SPL55-1X* SPL55X**	15-188X
	Express 3500	V8 6.6L; 159.0in WB; 1 Piece Driveshaft	A	1	5-188X*	SPL55-1X* SPL55X**	15-188X
	Express 3500	V8 6.6L; 177.0in WB; 1 Piece Driveshaft	A	1	5-188X*	SPL55-1X* SPL55X**	15-188X
	Express 3500	V8 6.6L; 135.0in WB; 1 Piece Driveshaft	A	2	5-188X*	SPL55-1X* SPL55X**	15-188X
	Express 3500	V8 6.6L; 139.0in WB; 1 Piece Driveshaft	A	2	5-188X*	SPL55-1X* SPL55X**	15-188X
	Express 3500	V8 6.6L; 135.0in WB; 2 Piece Driveshaft	S	1	5-188X*	SPL55-1X* SPL55X**	15-188X
	Express 3500	V8 6.6L; 139.0in WB; 2 Piece Driveshaft	S	1	5-188X*	SPL55-1X* SPL55X**	15-188X
	Express 3500	V8 6.6L; 155.0in WB; 2 Piece Driveshaft	S	2,3	5-188X*	SPL55-1X* SPL55X**	15-188X
	Express 3500	V8 6.6L; 159.0in WB; 2 Piece Driveshaft	S	2,3	5-188X*	SPL55-1X* SPL55X**	15-188X
	Express 3500	V8 6.6L; 177.0in WB; 2 Piece Driveshaft	S	2,3	5-188X*	SPL55-1X* SPL55X**	15-188X
2009-2016	Express 4500	1 Piece Driveshaft	A	1	5-188X*	SPL55-1X* SPL55X**	15-188X
	Express 4500	2 Piece Driveshaft	S	2,3	5-188X*	SPL55-1X* SPL55X**	15-188X
1975-1977	G10	1 Piece Driveshaft	A	1,2	5-153X*	5-1310-1X* 5-1310X**	15-153X
	G10	2 Piece Driveshaft	B	1,2,3	5-153X*	5-1310-1X* 5-1310X**	15-153X
1978-1981	G10	1 Piece Driveshaft; w/ Inside Snap Rings	A	1,2	5-3147X*	5-795X**	15-3147X
	G10	1 Piece Driveshaft; w/ Outside Snap Rings	A	1,2	5-153X*	5-1310-1X* 5-1310X**	15-153X
	G10	2 Piece Driveshaft	B	1	5-3147X*	5-795X**	15-3147X
	G10	2 Piece Driveshaft; w/ 2.562" O.D. Yoke	B	2,3	5-3147X*	5-795X**	15-3147X
	G10	2 Piece Driveshaft; w/ 3.500" O.D. Yoke	B	2,3	5-153X*	5-1310-1X* 5-1310X**	15-153X
	G10	2 Piece Driveshaft; w/ 4.000" O.D. Yoke	B	2,3	5-178X*	5-1350-1X* 5-1350X**	15-178X
1982-1984	G10	1 Piece Driveshaft	A	1,2	5-3147X*	5-795X**	15-3147X
	G10	2 Piece Driveshaft; 1.125" Cup Dia.	B	1,2,3	5-3147X*	5-795X**	15-3147X
	G10	2 Piece Driveshaft; 1.188" Cup Dia.	B	1,2,3	5-178X*	5-1350-1X* 5-1350X**	15-178X
1985-1991	G10	110.0" WB; 125.0" WB; 1 Piece Driveshaft	A	1,2	5-3147X*	5-795X**	15-3147X

\* GREASEABLE \*\* NON-GREASEABLE

RWD





**Chevrolet (Cont'd)**

Year	Model	Description	Fig.	Location	Spicer Part #	SPL Part #	SVL Part #
1985-1991	G10	125.0" WB; 2 Piece Driveshaft	B	1,2,3	5-3147X*	5-795X**	15-3147X
1992-1995	G10	125.0" WB; w/ Aluminum Driveshaft	A	1		5-3614X	
	G10	110.0" WB	A	1,2	5-3147X*	5-795X**	15-3147X
	G10	125.0" WB; w/ Steel Driveshaft	A	1,2	5-3147X*	5-795X**	15-3147X
	G10	125.0" WB; w/ Aluminum Driveshaft	A	2	5-212X*	5-793X**	
1964-1974	G10 Van	1 Piece Driveshaft	A	1,2	5-153X*	5-1310-1X* 5-1310X**	15-153X
	G10 Van	2 Piece Driveshaft	B	1,2,3	5-153X*	5-1310-1X* 5-1310X**	15-153X
1975	G20	1 Piece Driveshaft	A	1,2	5-153X*	5-1310-1X* 5-1310X**	15-153X
	G20	2 Piece Driveshaft; 1.062" Cup Dia.	B	1	5-153X*	5-1310-1X* 5-1310X**	15-153X
	G20	2 Piece Driveshaft; 1.125" Cup Dia.	B	1	5-3147X*	5-795X**	15-3147X
	G20	2 Piece Driveshaft	B	2,3	5-153X*	5-1310-1X* 5-1310X**	15-153X
1976	G20	4.1L; 4.8L; 5.7L; 7.4L; 1 Piece Driveshaft	A	1,2	5-153X*	5-1310-1X* 5-1310X**	15-153X
	G20	4.1L; 4.8L; 5.7L; 7.4L; 2 Piece Driveshaft	B	1,2,3	5-153X*	5-1310-1X* 5-1310X**	15-153X
1976-1978	G20	6.6L; 1 Piece Driveshaft	A	1	5-3147X*	5-795X**	15-3147X
	G20	6.6L; 1 Piece Driveshaft	A	2	5-212X*	5-793X**	
	G20	6.6L; 2 Piece Driveshaft	B	1	5-3147X*	5-795X**	15-3147X
	G20	6.6L; 2 Piece Driveshaft	B	2	5-178X*	5-1350-1X* 5-1350X**	15-178X
	G20	6.6L; 2 Piece Driveshaft	B	3	5-213X*	5-1330-1X* 5-1330X**	15-213X
1977-1978	G20	4.1L; 4.8L; 5.0L; 5.7L; 1 Piece Driveshaft	A	1,2	5-153X*	5-1310-1X* 5-1310X**	15-153X
	G20	4.1L; 4.8L; 5.0L; 5.7L; 2 Piece Driveshaft	B	1,2,3	5-153X*	5-1310-1X* 5-1310X**	15-153X
1979	G20	4.1L; 4.8L; 5.0L; 5.7L; 2 Piece Driveshaft	B	2	5-153X*	5-1310-1X* 5-1310X**	15-153X
	G20	6.6L; 2 Piece Driveshaft	B	2	5-213X*	5-1330-1X* 5-1330X**	15-213X
	G20	2 Piece Driveshaft; 1.062" Cup Dia.	B	3	5-153X*	5-1310-1X* 5-1310X**	15-153X
1979-1980	G20	2 Piece Driveshaft; 1.188" Cup Dia.	B	3	5-178X*	5-1350-1X* 5-1350X**	15-178X
1979-1981	G20	1 Piece Driveshaft; 1.062" Cup Dia.	A	1,2	5-153X*	5-1310-1X* 5-1310X**	15-153X
	G20	1 Piece Driveshaft; 1.125" Cup Dia.	A	1,2	5-3147X*	5-795X**	15-3147X
	G20	2 Piece Driveshaft	B	1	5-3147X*	5-795X**	15-3147X
1980	G20	4.1L; 4.8L; 5.0L; 5.7L; 2 Piece Driveshaft; 1.125" Cup Dia.	B	2	5-3147X*	5-795X**	15-3147X
	G20	6.6L; 2 Piece Driveshaft; 1.062" Cup Dia.	B	2	5-213X*	5-1330-1X* 5-1330X**	15-213X
	G20	2 Piece Driveshaft; 1.125" Cup Dia.	B	3	5-3147X*	5-795X**	15-3147X
1981	G20	2 Piece Driveshaft; 1.062" Cup Dia.	B	2,3	5-153X*	5-1310-1X* 5-1310X**	15-153X
	G20	2 Piece Driveshaft; 1.188" Cup Dia.	B	2,3	5-178X*	5-1350-1X* 5-1350X**	15-178X

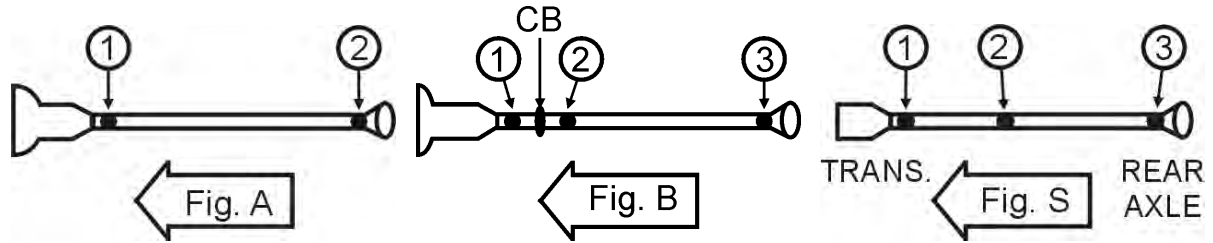
\* GREASEABLE \*\* NON-GREASEABLE

R  
W  
D

**Chevrolet (Cont'd)**

Year	Model	Description	Fig.	Location	Spicer Part #	SPL Part #	SVL Part #
1982-1983	G20	2 Piece Driveshaft	B	1,2,3	5-3147X*	5-795X**	15-3147X
1982-1984	G20	1 Piece Driveshaft	A	1,2	5-3147X*	5-795X**	15-3147X
1984	G20	THM350C; THM700-R4/L4L60/MD8; 2 Piece Driveshaft	B	1,2,3	5-3147X*	5-795X**	15-3147X
	G20	THM400; 2 Piece Driveshaft	B	1,2,3	5-178X*	5-1350-1X* 5-1350X**	15-178X
1985-1991	G20	110.0" WB; 125.0" WB; 1 Piece Driveshaft	A	1,2	5-3147X*	5-795X**	15-3147X
	G20	125.0" WB; 2 Piece Driveshaft	B	1,2,3	5-3147X*	5-795X**	15-3147X
1992-1995	G20	125.0" WB; w/ Aluminum Driveshaft	A	1		5-3614X	
	G20	110.0" WB	A	1,2	5-3147X*	5-795X**	15-3147X
	G20	125.0" WB; w/ Steel Driveshaft	A	1,2	5-3147X*	5-795X**	15-3147X
	G20	125.0" WB; w/ Aluminum Driveshaft	A	2	5-212X*	5-793X**	
1967-1974	G20 Van	1 Piece Driveshaft	A	1,2	5-153X*	5-1310-1X* 5-1310X**	15-153X
	G20 Van	2 Piece Driveshaft; w/ Inside Snap Rings	B	1	5-3147X*	5-795X**	15-3147X
	G20 Van	2 Piece Driveshaft; w/ Outside Snap Rings	B	1	5-153X*	5-1310-1X* 5-1310X**	15-153X
	G20 Van	2 Piece Driveshaft	B	2,3	5-153X*	5-1310-1X* 5-1310X**	15-153X
1975	G30	4.8L; 5.7L; 7.4L; 1 Piece Driveshaft	A	1,2	5-153X*	5-1310-1X* 5-1310X**	15-153X
	G30	4.8L; 5.7L; 7.4L; 2 Piece Driveshaft	B	1	5-153X*	5-1310-1X* 5-1310X**	15-153X
1975-1977	G30	6.6L; 1 Piece Driveshaft	A	1	5-213X*	5-1330-1X* 5-1330X**	15-213X
	G30	6.6L; 1 Piece Driveshaft	A	2	5-178X*	5-1350-1X* 5-1350X**	15-178X
	G30	6.6L; 2 Piece Driveshaft	B	1	5-213X*	5-1330-1X* 5-1330X**	15-213X
1976	G30	4.1L; 4.8L; 5.7L; 7.4L; 1 Piece Driveshaft	A	1,2	5-153X*	5-1310-1X* 5-1310X**	15-153X
	G30	4.1L; 4.8L; 5.7L; 7.4L; 2 Piece Driveshaft	B	1	5-153X*	5-1310-1X* 5-1310X**	15-153X
1977	G30	4.8L; 5.7L; 1 Piece Driveshaft	A	1,2	5-153X*	5-1310-1X* 5-1310X**	15-153X
	G30	4.8L; 5.7L; 2 Piece Driveshaft	B	1	5-153X*	5-1310-1X* 5-1310X**	15-153X
1978-1979	G30	1 Piece Driveshaft	A	1,2	5-178X*	5-1350-1X* 5-1350X**	15-178X
	G30	THM350 Trans; 2 Piece Driveshaft	B	1	5-3147X*	5-795X**	15-3147X
	G30	THM400; 2 Piece Driveshaft	B	1	5-178X*	5-1350-1X* 5-1350X**	15-178X
	G30	Auto Trans; 2 Piece Driveshaft	B	2	5-178X*	5-1350-1X* 5-1350X**	15-178X
	G30	2 Piece Driveshaft	B	3	5-178X*	5-1350-1X* 5-1350X**	15-178X
1980-1981	G30	4 Speed; 2 Piece Driveshaft	B	1	5-178X*	5-1350-1X* 5-1350X**	15-178X
	G30	Auto Trans; 3 Speed; 2 Piece Driveshaft	B	1	5-178X*	5-1350-1X* 5-1350X**	15-178X
	G30	Standard Trans; 3 Speed; 2 Piece Driveshaft	B	1	5-3147X*	5-795X**	15-3147X
1982-1984	G30	2 Piece Driveshaft	B	1	5-3147X*	5-795X**	15-3147X
1985	G30	125.0" WB; 3 Speed; 2 Piece Driveshaft	B	1,2,3	5-178X*	5-1350-1X* 5-1350X**	15-178X
	G30	146.0" WB; 2 Piece Driveshaft	B	1,2,3	5-178X*	5-1350-1X* 5-1350X**	15-178X
1986-1990	G30	125.0" WB; 4 Speed; 2 Piece Driveshaft	B	1	5-3147X*	5-795X**	15-3147X
1988-1989	G30	125.0" WB; 3 Speed; 5 Speed; 2 Piece Driveshaft; w/ Aluminum Driveshaft	B	1		5-3615X	
	G30	125.0" WB; 3 Speed; 5 Speed; 2 Piece Driveshaft; w/ Steel Driveshaft	B	1	5-178X*	5-1350-1X* 5-1350X**	15-178X
	G30	146.0" WB; 2 Piece Driveshaft; w/ Aluminum Driveshaft	B	1		5-3615X	

\* GREASEABLE \*\* NON-GREASEABLE



**Chevrolet (Cont'd)**

Year	Model	Description	Fig.	Location	Spicer Part #	SPL Part #	SVL Part #
1988-1989	G30	146.0" WB; 2 Piece Driveshaft; w/ Steel Driveshaft	B	1	5-178X*	5-1350-1X* 5-1350X**	15-178X
	G30	2 Piece Driveshaft; w/ Aluminum Driveshaft	B	2,3		5-3615X	
	G30	2 Piece Driveshaft; w/ Steel Driveshaft	B	2,3	5-178X*	5-1350-1X* 5-1350X**	15-178X
1990	G30	125.0" WB; 3 Speed; 5 Speed; 2 Piece Driveshaft	B	1	5-178X*	5-1350-1X* 5-1350X**	15-178X
	G30	146.0" WB; 2 Piece Driveshaft	B	1	5-178X*	5-1350-1X* 5-1350X**	15-178X
	G30	2 Piece Driveshaft	B	2,3	5-178X*	5-1350-1X* 5-1350X**	15-178X
1991-1996	G30	125.0" WB; 1 Piece Driveshaft; w/ Aluminum Driveshaft	A	1,2		5-3615X	
	G30	125.0" WB; 1 Piece Driveshaft; w/ Steel Driveshaft	A	1,2	5-178X*	5-1350-1X* 5-1350X**	15-178X
	G30	146.0" WB; 2 Piece Driveshaft; w/ Aluminum Driveshaft	B	1,2,3		5-3615X	
	G30	146.0" WB; 2 Piece Driveshaft; w/ Steel Driveshaft	B	1,2,3	5-178X*	5-1350-1X* 5-1350X**	15-178X
1970-1974	G30 Van	1 Piece Driveshaft	A	1,2	5-153X*	5-1310-1X* 5-1310X**	15-153X
	G30 Van	2 Piece Driveshaft	B	1,2,3	5-153X*	5-1310-1X* 5-1310X**	15-153X
1987-1995	LLV		A	1,2	5-3147X*	5-795X**	15-3147X
1975-1977	LUV		A	1,2	5-101X		
1978-1982	LUV	1 Piece Driveshaft	A	1,2	5-101X		
	LUV	2 Piece Driveshaft	S	1,2,3	5-101X		
1972-1974	Luv Pickup		A	1,2	5-101X		
1975-1978	P10	1 Piece Driveshaft; w/ 1.062" Cup Dia.	A	1	5-153X*	5-1310-1X* 5-1310X**	15-153X
	P10	1 Piece Driveshaft; w/ 1.188" Cup Dia.	A	1	5-178X*	5-1350-1X* 5-1350X**	15-178X
	P10	1 Piece Driveshaft	A	2	5-153X*	5-1310-1X* 5-1310X**	15-153X
	P10	2 Piece Driveshaft; w/ 1.062" Cup Dia.	B	1	5-153X*	5-1310-1X* 5-1310X**	15-153X
	P10	2 Piece Driveshaft; w/ 1.188" Cup Dia.	B	1	5-178X*	5-1350-1X* 5-1350X**	15-178X
	P10	2 Piece Driveshaft	B	2,3	5-153X*	5-1310-1X* 5-1310X**	15-153X
	P10		B	CB	210527X		
1979-1980	P10	w/ 1.062" Cup Dia.	A	1	5-153X*	5-1310-1X* 5-1310X**	15-153X
	P10	w/ 1.188" Cup Dia.	A	1	5-178X*	5-1350-1X* 5-1350X**	15-178X
	P10		A	2	5-153X*	5-1310-1X* 5-1310X**	15-153X
1960-1967	P10 Series	1 Piece Driveshaft	A	1,2	5-153X*	5-1310-1X* 5-1310X**	15-153X
	P10 Series	2 Piece Driveshaft	B	1,2,3	5-153X*	5-1310-1X* 5-1310X**	15-153X
	P10 Series		B	CB	210527X		
1967-1974	P10 Van		B	CB	210527X		

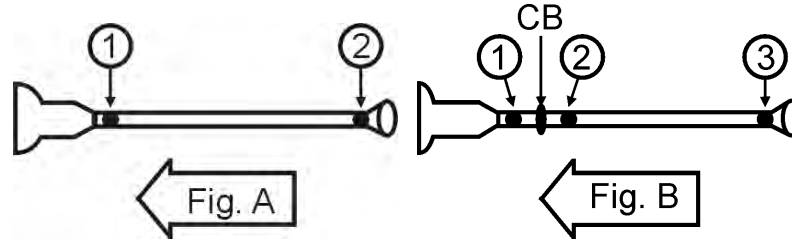
\* GREASEABLE \*\* NON-GREASEABLE

RWD

**Chevrolet (Cont'd)**

Year	Model	Description	Fig.	Location	Spicer Part #	SPL Part #	SVL Part #
1968-1974	P10 Van	1 Piece Driveshaft	A	1,2	5-153X*	5-1310-1X* 5-1310X**	15-153X
	P10 Van	2 Piece Driveshaft	B	1,2,3	5-153X*	5-1310-1X* 5-1310X**	15-153X
1975	P20	Auto Trans	B	1	5-153X*	5-1310-1X* 5-1310X**	15-153X
	P20	Standard Trans; 3 Speed	B	1	5-153X*	5-1310-1X* 5-1310X**	15-153X
	P20	Standard Trans; 4 Speed	B	1	5-178X*	5-1350-1X* 5-1350X**	15-178X
	P20		B	2,3	5-178X*	5-1350-1X* 5-1350X**	15-178X
1976-1978	P20	1 Piece Driveshaft; w/ 1.062" Cup Dia.	A	1,2	5-153X*	5-1310-1X* 5-1310X**	15-153X
	P20	1 Piece Driveshaft; w/ 1.188" Cup Dia.	A	1,2	5-178X*	5-1350-1X* 5-1350X**	15-178X
	P20	2 Piece Driveshaft; w/ 1.062" Cup Dia.	B	1,2	5-153X*	5-1310-1X* 5-1310X**	15-153X
	P20	2 Piece Driveshaft; w/ 1.188" Cup Dia.	B	1,2	5-178X*	5-1350-1X* 5-1350X**	15-178X
	P20	2 Piece Driveshaft	B	3	5-178X*	5-1350-1X* 5-1350X**	15-178X
1979	P20	4 Speed	B	3	5-178X*	5-1350-1X* 5-1350X**	15-178X
1979-1981	P20		B	1,2	5-178X*	5-1350-1X* 5-1350X**	15-178X
	P20	3 Speed	B	3	5-153X*	5-1310-1X* 5-1310X**	15-153X
1980-1981	P20	Auto Trans; 4 Speed	B	3	5-153X*	5-1310-1X* 5-1310X**	15-153X
	P20	Standard Trans; 4 Speed	B	3	5-178X*	5-1350-1X* 5-1350X**	15-178X
1982-1983	P20		B	1,2,3	5-178X*	5-1350-1X* 5-1350X**	15-178X
1984	P20	2 Piece Driveshaft	B	1,2,3	5-178X*	5-1350-1X* 5-1350X**	15-178X
1984-1989	P20	1 Piece Driveshaft	A	1	5-178X*	5-1350-1X* 5-1350X**	15-178X
	P20	1 Piece Driveshaft	A	2	5-3147X*	5-795X**	15-3147X
1985-1989	P20	2 Piece Driveshaft	B	1	5-178X*	5-1350-1X* 5-1350X**	15-178X
	P20	2 Piece Driveshaft; w/ Inside Snap Rings	B	2,3	5-3147X*	5-795X**	15-3147X
	P20	2 Piece Driveshaft; w/ Outside Snap Rings	B	2,3	5-178X*	5-1350-1X* 5-1350X**	15-178X
1960-1966	P20 Series	4 Speed; 104.0" WB; 1 Piece Driveshaft	A	1,2	5-178X*	5-1350-1X* 5-1350X**	15-178X
	P20 Series	4 Speed; 125.0" WB; 137.0" WB; 2 Piece Driveshaft	B	1,2,3	5-178X*	5-1350-1X* 5-1350X**	15-178X
1964-1966	P20 Series	Auto Trans; 3 Speed; 125.0" WB; 137.0" WB; 2 Piece Driveshaft	B	1	5-153X*	5-1310-1X* 5-1310X**	15-153X
	P20 Series	Auto Trans; 3 Speed; 125.0" WB; 2 Piece Driveshaft	B	2,3	5-178X*	5-1350-1X* 5-1350X**	15-178X
1967	P20 Series	1 Piece Driveshaft	A	1,2	5-153X*	5-1310-1X* 5-1310X**	15-153X
	P20 Series	2 Piece Driveshaft; w/ 1.062" Cup Dia.	B	1	5-153X*	5-1310-1X* 5-1310X**	15-153X
	P20 Series	2 Piece Driveshaft; w/ 1.125" Cup Dia.	B	1	5-3147X*	5-795X**	15-3147X
	P20 Series	2 Piece Driveshaft	B	2,3	5-153X*	5-1310-1X* 5-1310X**	15-153X
1968-1974	P20 Van	1 Piece Driveshaft	A	1,2	5-153X*	5-1310-1X* 5-1310X**	15-153X
	P20 Van	2 Piece Driveshaft; w/ 1.062" Cup Dia.	B	1	5-153X*	5-1310-1X* 5-1310X**	15-153X
	P20 Van	2 Piece Driveshaft; w/ 1.125" Cup Dia.	B	1	5-3147X*	5-795X**	15-3147X

\* GREASEABLE \*\* NON-GREASEABLE



**Chevrolet (Cont'd)**

Year	Model	Description	Fig.	Location	Spicer Part #	SPL Part #	SVL Part #
1968-1974	P20 Van	2 Piece Driveshaft	B	2,3	5-153X*	5-1310-1X* 5-1310X**	15-153X
1975-1977	P30		B	1,2,3	5-178X*	5-1350-1X* 5-1350X**	15-178X
1978	P30	w/ 3.469" Outside Yoke	B	1,2,3	5-153X*	5-1310-1X* 5-1310X**	15-153X
	P30	w/ 3.875" Outside Yoke	B	1,2,3	5-178X*	5-1350-1X* 5-1350X**	15-178X
1979	P30	1 Piece Driveshaft; w/ 3.469" Outside Yoke	A	1,2	5-153X*	5-1310-1X* 5-1310X**	15-153X
	P30	1 Piece Driveshaft; w/ 3.875" Outside Yoke	A	1,2	5-178X*	5-1350-1X* 5-1350X**	15-178X
	P30	2 Piece Driveshaft; w/ Outside Snap Rings; w/ 3.469" Outside Yoke	B	1,2,3	5-153X*	5-1310-1X* 5-1310X**	15-153X
	P30	2 Piece Driveshaft; w/ Outside Snap Rings; w/ 3.875" Outside Yoke	B	1,2,3	5-178X*	5-1350-1X* 5-1350X**	15-178X
	P30	2 Piece Driveshaft; w/ Inside Snap Rings	B	2	5-3147X*	5-795X**	15-3147X
	P30	2 Piece Driveshaft; w/ Inside & Outside Snap Rings	B	3	5-212X*	5-793X**	
	P30	2 Piece Driveshaft; w/ Outside Snap Rings; w/ 4.438" Outside Yoke	B	3	5-160X*	5-1410-1X* 5-1410X**	15-160X
1980	P30	1 Piece Driveshaft	A	1	5-153X*	5-1310-1X* 5-1310X**	15-153X
	P30	1 Piece Driveshaft	A	2	5-178X*	5-1350-1X* 5-1350X**	15-178X
	P30	137.0" WB; 2 Piece Driveshaft	B	1	5-153X*	5-1310-1X* 5-1310X**	15-153X
1980-1981	P30	157.0" WB; Standard Trans; 4 Speed; Rear Disc Brakes; 2 Piece Driveshaft	B	1	5-153X*	5-1310-1X* 5-1310X**	15-153X
	P30	157.0" WB; Standard Trans; 4 Speed; Rear Drum Brakes; 2 Piece Driveshaft	B	1	5-178X*	5-1350-1X* 5-1350X**	15-178X
	P30	157.0" WB; THM400; Rear Disc Brakes; 2 Piece Driveshaft	B	1	5004989		
	P30	178.0" WB; 2 Piece Driveshaft	B	1	5-160X*	5-1410-1X* 5-1410X**	15-160X
	P30	125.0" WB; 133.0" WB; 157.0" WB; 158.5" WB; 178.0" WB; Rear Disc Brakes; 2 Piece Driveshaft	B	2	5-153X*	5-1310-1X* 5-1310X**	15-153X
	P30	125.0" WB; 133.0" WB; 157.0" WB; 158.5" WB; 178.0" WB; Rear Drum Brakes; 2 Piece Driveshaft	B	2,3	5-178X*	5-1350-1X* 5-1350X**	15-178X
	P30	125.0" WB; 133.0" WB; 157.0" WB; 158.5" WB; 178.0" WB; Rear Disc Brakes; 2 Piece Driveshaft	B	3	5004989		
1981	P30	1 Piece Driveshaft	A	1	5-153X* 5-178X*	5-1310-1X* 5-1310X** 5-1350-1X* 5-1350X**	15-153X 15-178X
	P30	125.0" WB; 133.0" WB; 137.0" WB; 2 Piece Driveshaft	B	1	5-178X*	5-1350-1X* 5-1350X**	15-178X
	P30	137.0" WB; 2 Piece Driveshaft	B	2,3	5-178X*	5-1350-1X* 5-1350X**	15-178X
1982	P30	Standard Cargo Van; Rear Disc Brakes; 2 Piece Driveshaft; Exc. Motor Home Chassis	B	1	5-153X*	5-1310-1X* 5-1310X**	15-153X

\* GREASEABLE \*\* NON-GREASEABLE

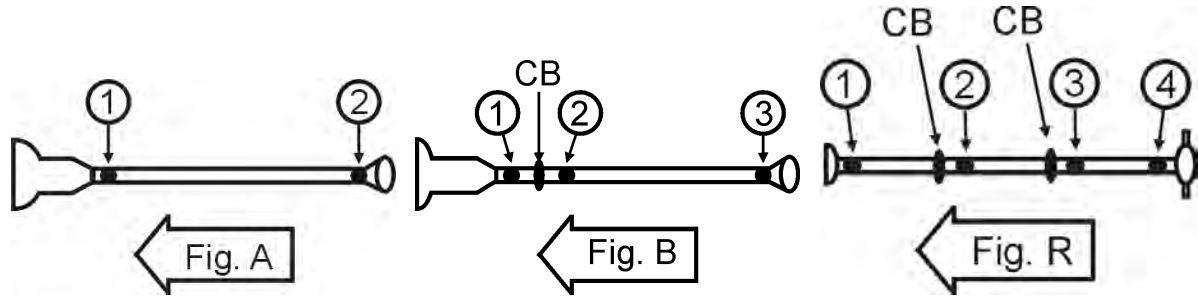
R  
W  
D

**Chevrolet (Cont'd)**

Year	Model	Description	Fig.	Location	Spicer Part #	SPL Part #	SVL Part #
1982	P30	Standard Cargo Van; Rear Disc Brakes; 2 Piece Driveshaft; Exc. Motor Home Chassis	B	2	5-178X*	5-1350-1X* 5-1350X**	15-178X
	P30	Standard Cargo Van; Rear Disc Brakes; 2 Piece Driveshaft; Exc. Motor Home Chassis	B	3	5004989		
1982-1983	P30	Stripped Chassis; Rear Disc Brakes; 2 Piece Driveshaft	B	1	5-160X*	5-1410-1X* 5-1410X**	15-160X
	P30	Stripped Chassis; Rear Disc Brakes; 2 Piece Driveshaft	B	2	5-153X*	5-1310-1X* 5-1310X**	15-153X
	P30	Stripped Chassis; Rear Disc Brakes; 2 Piece Driveshaft	B	3	5004989		
	P30	178.0" WB; 3 Piece Driveshaft	R	1,2,3	5-178X*	5-1350-1X* 5-1350X**	15-178X
	P30	Exc. 178.0" WB; 3 Piece Driveshaft	R	1,2,3,4	5-178X*	5-1350-1X* 5-1350X**	15-178X
	P30	178.0" WB; 3 Piece Driveshaft	R	4	5004989		
1983	P30	Standard Cargo Van; Rear Disc Brakes; 2 Piece Driveshaft	B	1	5-153X*	5-1310-1X* 5-1310X**	15-153X
	P30	Standard Cargo Van; Rear Disc Brakes; 2 Piece Driveshaft	B	2	5-178X*	5-1350-1X* 5-1350X**	15-178X
	P30	Standard Cargo Van; Rear Disc Brakes; 2 Piece Driveshaft	B	3	5004989		
1984	P30	1 Piece Driveshaft; w/ Inside Snap Rings	A	1,2	5-3147X*	5-795X**	15-3147X
	P30	1 Piece Driveshaft; w/ Outside Snap Rings; 3.875" Yoke	A	1,2	5-178X*	5-1350-1X* 5-1350X**	15-178X
	P30	1 Piece Driveshaft; w/ Outside Snap Rings; 4.438" Yoke	A	2	5-160X*	5-1410-1X* 5-1410X**	15-160X
	P30	Rear Disc Brakes; 2 Piece Driveshaft; w/ Outside Snap Rings; 3.875" Yoke	B	1,2,3	5-178X*	5-1350-1X* 5-1350X**	15-178X
	P30	Rear Drum Brakes; 2 Piece Driveshaft; w/ Inside Snap Rings	B	1,2,3	5-3147X*	5-795X**	15-3147X
	P30	Rear Drum Brakes; 2 Piece Driveshaft; w/ Outside Snap Rings	B	1,2,3	5-178X*	5-1350-1X* 5-1350X**	15-178X
	P30	Rear Disc Brakes; 2 Piece Driveshaft; w/ Outside Snap Rings; 4.438" Yoke	B	1,3	5-160X*	5-1410-1X* 5-1410X**	15-160X
	P30	3 Piece Driveshaft	R	1,2,3	5-178X*	5-1350-1X* 5-1350X**	15-178X
	P30	3 Piece Driveshaft	R	4	5-160X*	5-1410-1X* 5-1410X**	15-160X
1985-1990	P30	125.0" WB; 133.0" WB; Auto Trans; Rear Disc Brakes; 2 Piece Driveshaft	B	1	5-160X*	5-1410-1X* 5-1410X**	15-160X
	P30	125.0" WB; 133.0" WB; Standard Trans; Rear Disc Brakes; Exc. 6.2L; 2 Piece Driveshaft	B	1	5-153X*	5-1310-1X* 5-1310X**	15-153X
	P30	157.0" WB; 158.5" WB; Auto Trans; Rear Disc Brakes; 6.2L; 2 Piece Driveshaft	B	1	5-160X*	5-1410-1X* 5-1410X**	15-160X
	P30	157.0" WB; 158.5" WB; Auto Trans; Rear Disc Brakes; Exc. 6.2L; 2 Piece Driveshaft	B	1	5004989		15-1206X
	P30	157.0" WB; 158.5" WB; Standard Trans; Rear Disc Brakes; 2 Piece Driveshaft	B	1	5-178X*	5-1350-1X* 5-1350X**	15-178X
	P30	157.0" WB; 158.5" WB; Standard Trans; Rear Drum Brakes; 2 Piece Driveshaft	B	1	5-178X*	5-1350-1X* 5-1350X**	15-178X
	P30	178.0" WB; Auto Trans; Rear Disc Brakes; 2 Piece Driveshaft; Exc. 16,000 Lbs GVW	B	1	5004989		15-1206X
	P30	178.0" WB; Auto Trans; Rear Disc Brakes; 2 Piece Driveshaft; 16,000 Lbs GVW	B	1,2	5-160X*	5-1410-1X* 5-1410X**	15-160X
	P30	178.0" WB; Standard Trans; Rear Disc Brakes; 2 Piece Driveshaft	B	1,2	5-178X*	5-1350-1X* 5-1350X**	15-178X
	P30	125.0" WB; 133.0" WB; Standard Trans; Rear Drum Brakes; 2 Piece Driveshaft	B	1,2,3	5-178X*	5-1350-1X* 5-1350X**	15-178X
	P30	137.0" WB; 2 Piece Driveshaft	B	1,2,3	5-178X*	5-1350-1X* 5-1350X**	15-178X
	P30	178.0" WB; Rear Drum Brakes; 2 Piece Driveshaft	B	1,2,3	5-160X*	5-1410-1X* 5-1410X**	15-160X
	P30	125.0" WB; 133.0" WB; Standard Trans; Rear Disc Brakes; 6.2L; 2 Piece Driveshaft	B	1,3	5-160X*	5-1410-1X* 5-1410X**	15-160X

\* GREASEABLE \*\* NON-GREASEABLE

RWD



**Chevrolet (Cont'd)**

Year	Model	Description	Fig.	Location	Spicer Part #	SPL Part #	SVL Part #
1985-1990	P30	125.0" WB; 133.0" WB; Auto Trans; Rear Disc Brakes; 2 Piece Driveshaft	B	2	5-178X*	5-1350-1X* 5-1350X**	15-178X
	P30	125.0" WB; 133.0" WB; Standard Trans; Rear Disc Brakes; 2 Piece Driveshaft	B	2	5-178X*	5-1350-1X* 5-1350X**	15-178X
	P30	157.0" WB; 158.5" WB; Rear Disc Brakes; 2 Piece Driveshaft	B	2	5-178X*	5-1350-1X* 5-1350X**	15-178X
	P30	178.0" WB; Auto Trans; Rear Disc Brakes; 2 Piece Driveshaft; Exc. 16,000 Lbs GVW	B	2	5-178X*	5-1350-1X* 5-1350X**	15-178X
	P30	157.0" WB; 158.5" WB; Rear Drum Brakes; 2 Piece Driveshaft	B	2,3	5-178X*	5-1350-1X* 5-1350X**	15-178X
	P30	125.0" WB; 133.0" WB; Auto Trans; Rear Disc Brakes; 2 Piece Driveshaft	B	3	5-160X*	5-1410-1X* 5-1410X**	15-160X
	P30	125.0" WB; 133.0" WB; Standard Trans; Rear Disc Brakes; Exc. 6.2L; 2 Piece Driveshaft	B	3	5-160X*	5-1410-1X* 5-1410X**	15-160X
	P30	157.0" WB; 158.5" WB; Rear Disc Brakes; 2 Piece Driveshaft	B	3	5-160X*	5-1410-1X* 5-1410X**	15-160X
	P30	178.0" WB; Rear Disc Brakes; 2 Piece Driveshaft	B	3	5-160X*	5-1410-1X* 5-1410X**	15-160X
	P30	178.0" WB; 3 Piece Driveshaft	R	1,2,3,4	5-178X*	5-1350-1X* 5-1350X**	15-178X
	P30	208.0" WB; 3 Piece Driveshaft	R	1,2,3,4	5-160X*	5-1410-1X* 5-1410X**	15-160X
1991-1999	P30	Rear Disc Brakes; 2 Piece Driveshaft	B	1,2,3	5-160X*	5-1410-1X* 5-1410X**	15-160X
	P30	Rear Drum Brakes; 2 Piece Driveshaft	B	1,2,3	5-178X*	5-1350-1X* 5-1350X**	15-178X
	P30	3 Piece Driveshaft	R	1,2,3,4	5-160X*	5-1410-1X* 5-1410X**	15-160X
1992-1996	P30	125.0" WB; Cab & Chassis; 1 Piece Driveshaft	A	1,2	5-178X*	5-1350-1X* 5-1350X**	15-178X
1996-1999	P30	109.0" WB; 208.0" WB; 2 Piece Driveshaft	B	1,2,3	5-160X*	5-1410-1X* 5-1410X**	15-160X
1960	P30 Series		A	1,2	5-178X*	5-1350-1X* 5-1350X**	15-178X
1961-1962	P30 Series	Standard Trans; 3 Speed	A	1	5-153X*	5-1310-1X* 5-1310X**	15-153X
	P30 Series	3 Speed HD; 4 Speed	A	1,2	5-178X*	5-1350-1X* 5-1350X**	15-178X
	P30 Series	Standard Trans; 3 Speed	A	2	5-178X*	5-1350-1X* 5-1350X**	15-178X
1963	P30 Series	Standard Trans; 3 Speed HD; 4 Speed; 1 Piece Driveshaft	A	1,2	5-153X*	5-1310-1X* 5-1310X**	15-153X
	P30 Series	Standard Trans; 3 Speed HD; 4 Speed; 2 Piece Driveshaft	B	1,2,3	5-153X*	5-1310-1X* 5-1310X**	15-153X
1963-1966	P30 Series	Standard Trans; 3 Speed; 1 Piece Driveshaft	A	1	5-178X*	5-1350-1X* 5-1350X**	15-178X
	P30 Series	Standard Trans; 3 Speed; 1 Piece Driveshaft	A	2	5-153X*	5-1310-1X* 5-1310X**	15-153X
	P30 Series	Standard Trans; 3 Speed; 2 Piece Driveshaft	B	1	5-178X*	5-1350-1X* 5-1350X**	15-178X

\* GREASEABLE \*\* NON-GREASEABLE

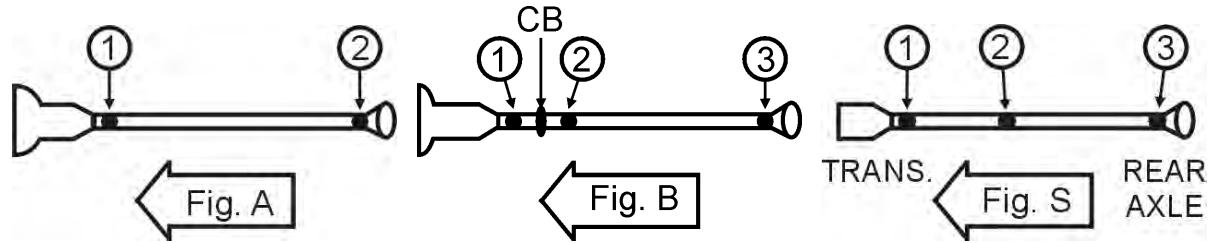
RWD

**Chevrolet (Cont'd)**

Year	Model	Description	Fig.	Location	Spicer Part #	SPL Part #	SVL Part #
1963-1966	P30 Series	Auto Trans; 2 Piece Driveshaft	B	1,2	5-153X*	5-1310-1X* 5-1310X**	15-153X
	P30 Series	Standard Trans; 3 Speed; 2 Piece Driveshaft	B	2,3	5-153X*	5-1310-1X* 5-1310X**	15-153X
	P30 Series	Auto Trans; 2 Piece Driveshaft	B	3	5-178X*	5-1350-1X* 5-1350X**	15-178X
1964-1966	P30 Series	3 Speed HD; Standard Trans; 4 Speed; 1 Piece Driveshaft	A	1,2	5-153X*	5-1310-1X* 5-1310X**	15-153X
	P30 Series	3 Speed HD; Standard Trans; 4 Speed; 2 Piece Driveshaft	B	1,2,3	5-153X*	5-1310-1X* 5-1310X**	15-153X
1967	P30 Series		B	1,2,3	5-178X*	5-1350-1X* 5-1350X**	15-178X
1968-1974	P30 Van		B	1,2,3	5-178X*	5-1350-1X* 5-1350X**	15-178X
1987	R10	1 Piece Driveshaft; w/ Inside Snap Rings	A	1,2	5-3147X*	5-795X**	15-3147X
	R10	2 Piece Driveshaft; w/ Inside Snap Rings	B	1,2,3	5-3147X*	5-795X**	15-3147X
	R10	2 Piece Driveshaft; w/ Outside Snap Rings	B	1,2,3	5-178X*	5-1350-1X* 5-1350X**	15-178X
1987-1988	R10 Suburban	1 Piece Driveshaft; w/ Inside Snap Rings	A	1,2	5-3147X*	5-795X**	15-3147X
	R10 Suburban	2 Piece Driveshaft; w/ Inside Snap Rings	B	1,2,3	5-3147X*	5-795X**	15-3147X
	R10 Suburban	2 Piece Driveshaft; w/ Outside Snap Rings	B	1,2,3	5-178X*	5-1350-1X* 5-1350X**	15-178X
1989-1991	R1500 Suburban	1 Piece Driveshaft; w/ Inside Snap Rings	A	1,2	5-3147X*	5-795X**	15-3147X
	R1500 Suburban	2 Piece Driveshaft; w/ Inside Snap Rings	B	1,2,3	5-3147X*	5-795X**	15-3147X
	R1500 Suburban	2 Piece Driveshaft; w/ Outside Snap Rings	B	1,2,3	5-178X*	5-1350-1X* 5-1350X**	15-178X
1987-1988	R20	1 Piece Driveshaft; w/ Inside Snap Rings	A	1,2	5-3147X*	5-795X**	15-3147X
	R20	2 Piece Driveshaft; w/ Inside Snap Rings	B	1,2,3	5-3147X*	5-795X**	15-3147X
	R20	2 Piece Driveshaft; w/ Outside Snap Rings	B	1,2,3	5-178X*	5-1350-1X* 5-1350X**	15-178X
1987-1988	R20 Suburban	1 Piece Driveshaft; w/ Inside Snap Rings	A	1,2	5-3147X*	5-795X**	15-3147X
	R20 Suburban	2 Piece Driveshaft; w/ Inside Snap Rings	B	1,2,3	5-3147X*	5-795X**	15-3147X
	R20 Suburban	2 Piece Driveshaft; w/ Outside Snap Rings	B	1,2,3	5-178X*	5-1350-1X* 5-1350X**	15-178X
1989	R2500	1 Piece Driveshaft; w/ Inside Snap Rings	A	1,2	5-3147X*	5-795X**	15-3147X
	R2500	2 Piece Driveshaft; w/ Inside Snap Rings	B	1,2,3	5-3147X*	5-795X**	15-3147X
	R2500	2 Piece Driveshaft; w/ Outside Snap Rings	B	1,2,3	5-178X*	5-1350-1X* 5-1350X**	15-178X
1989-1990	R2500 Suburban	2 Piece Driveshaft; w/ Inside Snap Rings	B	1,2,3	5-3147X*	5-795X**	15-3147X
1989-1991	R2500 Suburban	1 Piece Driveshaft; w/ Inside Snap Rings	A	1,2	5-3147X*	5-795X**	15-3147X
	R2500 Suburban	2 Piece Driveshaft; w/ Outside Snap Rings	B	1,2,3	5-178X*	5-1350-1X* 5-1350X**	15-178X
1991	R2500 Suburban	2 Piece Driveshaft; w/ Steel Yoke	B	1	5-3147X*	5-795X**	15-3147X
	R2500 Suburban	2 Piece Driveshaft; w/ Inside Snap Rings	B	2,3	5-3147X*	5-795X**	15-3147X
1987-1988	R30	1 Piece Driveshaft; w/ Inside Snap Rings	A	1,2	5-3147X*	5-795X**	15-3147X
	R30	2 Piece Driveshaft; w/ Inside Snap Rings	B	1,2,3	5-3147X*	5-795X**	15-3147X
	R30	2 Piece Driveshaft; w/ Outside Snap Rings	B	1,2,3	5-178X*	5-1350-1X* 5-1350X**	15-178X
1989-1991	R3500	1 Piece Driveshaft; w/ Inside Snap Rings	A	1,2	5-3147X*	5-795X**	15-3147X
	R3500	2 Piece Driveshaft; w/ Inside Snap Rings	B	1,2,3	5-3147X*	5-795X**	15-3147X
	R3500	2 Piece Driveshaft; w/ Outside Snap Rings	B	1,2,3	5-178X*	5-1350-1X* 5-1350X**	15-178X
1982-1993	S10	2 Piece Driveshaft	S	1,2,3	5-3147X*	5-795X**	15-3147X
1994-1996	S10	Standard Cab; 89.0" Bed; 1 Piece Driveshaft; w/ Aluminum Yoke	A	1		5-3614X	
	S10	Standard Cab; 89.0" Bed; 1 Piece Driveshaft; w/ Steel Yoke	A	1	5-213X*	5-1330-1X* 5-1330X**	15-213X
	S10	Standard Cab; 73.1" Bed; 1 Piece Driveshaft	A	1,2	5-3147X*	5-795X**	15-3147X
	S10	Standard Cab; 89.0" Bed; 1 Piece Driveshaft	A	2	5-212X*	5-793X**	
1994-1999	S10	Extended Cab; 2 Piece Driveshaft	S	1,2,3	5-3147X*	5-795X**	15-3147X
1997-1999	S10	Standard Cab; 1 Piece Driveshaft	A	1,2	5-3147X*	5-795X**	15-3147X
2000-2003	S10	1 Piece Driveshaft	A	1,2	5-3147X*	5-795X**	15-3147X

\* GREASEABLE \*\* NON-GREASEABLE





**Chevrolet (Cont'd)**

Year	Model	Description	Fig.	Location	Spicer Part #	SPL Part #	SVL Part #
1983-1994	S10 Blazer		A	1,2	5-3147X*	5-795X**	15-3147X
1999-2000	Silverado 1500	Standard Trans; 2 Piece Driveshaft	B	1,2	5-213X*	5-1330-1X* 5-1330X**	15-213X
		Auto Trans; 2 Piece Driveshaft	B	1,2,3	5-3147X*	5-795X**	15-3147X
		Standard Trans; 2 Piece Driveshaft	B	3	5-212X*	5-793X**	
1999-2004	Silverado 1500	Standard Cab; Short Bed; 1 Piece Driveshaft	A	1,2	5-3147X*	5-795X**	15-3147X
		Standard Cab; Long Bed; 1 Piece Driveshaft	A	2	5-212X*	5-793X**	
1999-2006	Silverado 1500	Standard Cab; Long Bed; 1 Piece Driveshaft	A	1	5-213X*	5-1330-1X* 5-1330X**	15-213X
2001	Silverado 1500	Standard Trans; w/o QuadraSteer	B	1,2	5-213X*	5-1330-1X* 5-1330X**	15-213X
		Auto Trans; w/o QuadraSteer	B	1,2,3	5-3147X*	5-795X**	15-3147X
		Standard Trans; w/o QuadraSteer	B	3	5-212X*	5-793X**	
2002-2005	Silverado 1500	2 Piece Driveshaft; w/ QuadraSteer	S	1,2	5-3147X*	5-795X**	15-3147X
		Extended Cab; Standard Trans; Long Bed; 2 Piece Driveshaft; w/o QuadraSteer	S	1,2	5-213X*	5-1330-1X* 5-1330X**	15-213X
		Extended Cab; Auto Trans; 2 Piece Driveshaft; w/o QuadraSteer	S	1,2,3	5-3147X*	5-795X**	15-3147X
		2 Piece Driveshaft; w/ QuadraSteer	S	3	5-178X*	5-1350-1X* 5-1350X**	15-178X
2004-2005	Silverado 1500	Extended Cab; Standard Trans; Long Bed; 2 Piece Driveshaft; w/o QuadraSteer	S	3	5-212X*	5-793X**	
		Crew Cab; 1 Piece Driveshaft	A	1	5-213X*	5-1330-1X* 5-1330X**	15-213X
2005	Silverado 1500	Crew Cab; 1 Piece Driveshaft	A	2	5-212X*	5-793X**	
		Extended Cab; Standard Trans; Short Bed; 1 Piece Driveshaft	A	1	5-213X*	5-1330-1X* 5-1330X**	15-213X
		Standard Cab; Short Bed; 1 Piece Driveshaft	A	1	5-3147X*	5-795X**	15-3147X
		Extended Cab; Standard Trans; Short Bed; 1 Piece Driveshaft	A	2	5-212X*	5-793X**	
		Standard Cab; Long Bed; 1 Piece Driveshaft	A	2	5-212X*	5-793X**	15-3147X
2006	Silverado 1500	Standard Cab; Short Bed; 1 Piece Driveshaft	A	2	5-3147X*	5-795X**	
		Crew Cab; 1 Piece Driveshaft; w/o QuadraSteer	A	1	5-213X*	5-1330-1X* 5-1330X**	15-213X
		Crew Cab; 1 Piece Driveshaft; w/ QuadraSteer	A	1,2	5-178X*	5-1350-1X* 5-1350X**	15-178X
		Standard Cab; Standard Bed; 1 Piece Driveshaft	A	1,2	5-3147X*	5-795X**	15-3147X
		Crew Cab; 1 Piece Driveshaft; w/o QuadraSteer	A	2	5-212X*	5-793X**	
		Standard Cab; Long Bed; 1 Piece Driveshaft	A	2	5-212X*	5-793X**	
		Extended Cab; Standard Trans; 2 Piece Driveshaft	S	1,2	5-213X*	5-1330-1X* 5-1330X**	15-213X
		Extended Cab; Auto Trans; 2 Piece Driveshaft	S	1,2,3	5-3147X*	5-795X**	15-3147X
		Extended Cab; Standard Trans; 2 Piece Driveshaft	S	3	5-212X*	5-793X**	
		2007-2013	Silverado 1500	1 Piece Driveshaft	A	1,2	5-3208X
2 Piece Driveshaft	S			1,2,3	5-3208X		
2014-2016	Silverado 1500	V6 4.3L; 1 Piece Driveshaft	A	1,2	5-3147X*	5-795X**	15-3147X
		V8 5.3L; 1 Piece Driveshaft	A	1,2	5-160X*	5-1410-1X* 5-1410X**	15-160X

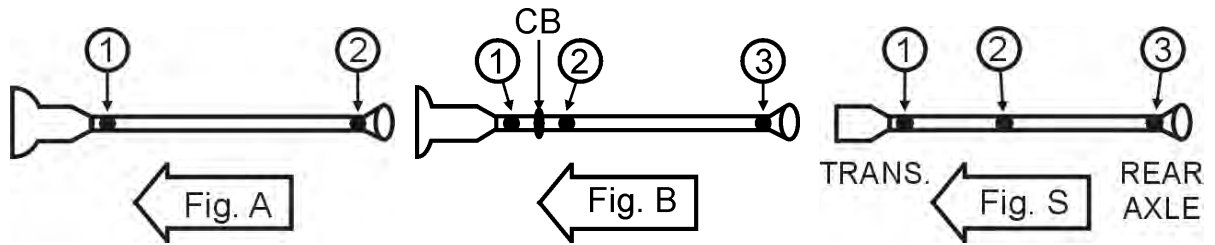
\* GREASEABLE \*\* NON-GREASEABLE

RWD

**Chevrolet (Cont'd)**

Year	Model	Description	Fig.	Location	Spicer Part #	SPL Part #	SVL Part #
2014-2016	Silverado 1500	V8 6.2L; 1 Piece Driveshaft	A	1,2	5-160X*	5-1410-1X* 5-1410X**	15-160X
2007	Silverado 1500 Classic	133.0" WB; 1 Piece Driveshaft	A	1	5-213X*	5-1330-1X* 5-1330X**	15-213X
	Silverado 1500 Classic	119.0" WB; 134.0" WB; 1 Piece Driveshaft	A	1,2	5-3147X*	5-795X**	15-3147X
	Silverado 1500 Classic	133.0" WB; 1 Piece Driveshaft	A	2	5-212X*	5-793X**	
	Silverado 1500 Classic	LS; WT; Standard Trans; 143.5" WB; 2 Piece Driveshaft	S	1,2	5-213X*	5-1330-1X* 5-1330X**	15-213X
	Silverado 1500 Classic	LS; Auto Trans; 143.5" WB; 2 Piece Driveshaft	S	1,2,3	5-213X*	5-1330-1X* 5-1330X**	15-213X
	Silverado 1500 Classic	LS; LT; WT; 157.5" WB; 2 Piece Driveshaft	S	1,2,3	5-3147X*	5-795X**	15-3147X
	Silverado 1500 Classic	LT; WT; Auto Trans; 143.5" WB; 2 Piece Driveshaft	S	1,2,3	5-3147X*	5-795X**	15-3147X
	Silverado 1500 Classic	SS; 2 Piece Driveshaft	S	1,2,3	5-178X*	5-1350-1X* 5-1350X**	15-178X
	Silverado 1500 Classic	LS; WT; Standard Trans; 143.5" WB; 2 Piece Driveshaft	S	3	5-212X*	5-793X**	
2001	Silverado 1500 HD	w/ Quadrasteer	B	1,2	5-3147X*	5-795X**	15-3147X
	Silverado 1500 HD	w/ Quadrasteer	B	3	5-178X*	5-1350-1X* 5-1350X**	15-178X
2002	Silverado 1500 HD	w/o Quadrasteer	S	1,2,3	5-178X*	5-1350-1X* 5-1350X**	15-178X
2003	Silverado 1500 HD	w/ Quadrasteer	S	1,2	5-3147X*	5-795X**	15-3147X
	Silverado 1500 HD	w/ Quadrasteer	S	3	5-178X*	5-1350-1X* 5-1350X**	15-178X
2005-2006	Silverado 1500 HD		S	1,2,3	5-178X*	5-1350-1X* 5-1350X**	15-178X
2007	Silverado 1500 HD Classic	Aluminum Driveshaft	S	1,2,3		5-3615X	
1999-2000	Silverado 2500	Auto Trans; w/ Aluminum Yoke	B	1,2,3		5-3615X	
	Silverado 2500	Auto Trans; w/ Steel Yoke	B	1,2,3	5-178X*	5-1350-1X* 5-1350X**	15-178X
	Silverado 2500	Standard Trans; w/ Aluminum Yoke	B	1,2,3		5-3616X	
	Silverado 2500	Standard Trans; w/ Steel Yoke	B	1,2,3	5-160X*	5-1410-1X* 5-1410X**	15-160X
2001	Silverado 2500		B	1,2,3	5-178X*	5-1350-1X* 5-1350X**	15-178X
2002-2004	Silverado 2500		S	1,2,3	5-178X*	5-1350-1X* 5-1350X**	15-178X
2001-2006	Silverado 2500 HD	w/ AAM 1415 Series Driveshaft	S	1,2,3	5-3207X**		
	Silverado 2500 HD	w/ Spicer 1410 Series Driveshaft; w/ Aluminum Yoke	S	1,2,3		5-3616X	
	Silverado 2500 HD	w/ Spicer 1410 Series Driveshaft; w/ Steel Yoke	S	1,2,3	5-160X*	5-1410-1X* 5-1410X**	15-160X
	Silverado 2500 HD	w/ Spicer 1480 Series Driveshaft	S	1,2,3	5-188X*	SPL55-1X* SPL55X**	15-188X
2007-2010	Silverado 2500 HD	w/ AAM Driveshaft	S	1,2,3	5-3206X		
	Silverado 2500 HD	w/ Spicer Driveshaft	S	1,2,3	5-160X*	5-1410-1X* 5-1410X**	15-160X
2011	Silverado 2500 HD	Diesel; w/ AAM Driveshaft	S	1,2,3	5-3206X		
	Silverado 2500 HD	Flex-Fuel; Diesel; w/ Spicer Driveshaft	S	1,2,3	5-160X*	5-1410-1X* 5-1410X**	15-160X
	Silverado 2500 HD	Flex-Fuel; Exc. 133.0" WB; w/ AAM Driveshaft	S	1,2,3	5-3206X		
2012-2013	Silverado 2500 HD		S	1	5-3207X**		
	Silverado 2500 HD	Diesel	S	2	5-3206X		
	Silverado 2500 HD	Flex-Fuel; Gas	S	2	5-3207X**		
	Silverado 2500 HD		S	3	5-3206X		
2014	Silverado 2500 HD	V8 6.0L; LT; 133.6in WB; 2 Piece Driveshaft	S	2	5-160X*	5-1410-1X* 5-1410X**	15-160X
	Silverado 2500 HD	V8 6.0L; LT; 153.7in WB; 2 Piece Driveshaft	S	2	5-160X*	5-1410-1X* 5-1410X**	15-160X
	Silverado 2500 HD	V8 6.0L; LT; 167.7in WB; 2 Piece Driveshaft	S	2	5-160X*	5-1410-1X* 5-1410X**	15-160X

\* GREASEABLE \*\* NON-GREASEABLE



**Chevrolet (Cont'd)**

Year	Model	Description	Fig.	Location	Spicer Part #	SPL Part #	SVL Part #
2014	Silverado 2500 HD	V8 6.0L; WT; 133.6in WB; 2 Piece Driveshaft	S	2	5-160X*	5-1410-1X* 5-1410X**	15-160X
	Silverado 2500 HD	V8 6.0L; WT; 153.7in WB; 2 Piece Driveshaft	S	2	5-160X*	5-1410-1X* 5-1410X**	15-160X
	Silverado 2500 HD	V8 6.0L; WT; 167.7in WB; 2 Piece Driveshaft	S	2	5-160X*	5-1410-1X* 5-1410X**	15-160X
	Silverado 2500 HD	V8 6.6L; LT; 2 Piece Driveshaft	S	2,3	5-188X*	SPL55-1X* SPL55X**	15-188X
	Silverado 2500 HD	V8 6.6L; LTZ; 2 Piece Driveshaft	S	2,3	5-188X*	SPL55-1X* SPL55X**	15-188X
	Silverado 2500 HD	V8 6.6L; WT; 2 Piece Driveshaft	S	2,3	5-188X*	SPL55-1X* SPL55X**	15-188X
	Silverado 2500 HD	V8 6.0L; LT; 153.7in WB; 2 Piece Driveshaft	S	3	5-188X*	SPL55-1X* SPL55X**	15-188X
	Silverado 2500 HD	V8 6.0L; LT; 167.7in WB; 2 Piece Driveshaft	S	3	5-188X*	SPL55-1X* SPL55X**	15-188X
	Silverado 2500 HD	V8 6.0L; LTZ; 2 Piece Driveshaft	S	3	5-188X*	SPL55-1X* SPL55X**	15-188X
	Silverado 2500 HD	V8 6.0L; WT; 153.7in WB; 2 Piece Driveshaft	S	3	5-188X*	SPL55-1X* SPL55X**	15-188X
	Silverado 2500 HD	V8 6.0L; WT; 167.7in WB; 2 Piece Driveshaft	S	3	5-188X*	SPL55-1X* SPL55X**	15-188X
2014-2015	Silverado 2500 HD	V8 6.0L; LTZ; 2 Piece Driveshaft	S	2	5-160X*	5-1410-1X* 5-1410X**	15-160X
2014-2016	Silverado 2500 HD	V8 6.6L; LT; 2 Piece Driveshaft	S	1	5-160X*	5-1410-1X* 5-1410X**	15-160X
	Silverado 2500 HD	V8 6.6L; LTZ; 2 Piece Driveshaft	S	1	5-160X*	5-1410-1X* 5-1410X**	15-160X
	Silverado 2500 HD	V8 6.6L; WT; 2 Piece Driveshaft	S	1	5-160X*	5-1410-1X* 5-1410X**	15-160X
2015	Silverado 2500 HD	V8 6.0L; High Country; 2 Piece Driveshaft	S	2	5-160X*	5-1410-1X* 5-1410X**	15-160X
	Silverado 2500 HD	V8 6.0L; LT; 2 Piece Driveshaft	S	2	5-160X*	5-1410-1X* 5-1410X**	15-160X
	Silverado 2500 HD	V8 6.0L; WT; 2 Piece Driveshaft	S	2	5-160X*	5-1410-1X* 5-1410X**	15-160X
	Silverado 2500 HD	2 Piece Driveshaft	S	3	5-188X*	SPL55-1X* SPL55X**	15-188X
2015-2016	Silverado 2500 HD	V8 6.6L; High Country; 2 Piece Driveshaft	S	2	5-160X*	5-1410-1X* 5-1410X**	15-160X
	Silverado 2500 HD	V8 6.6L; LT; 2 Piece Driveshaft	S	2	5-188X*	SPL55-1X* SPL55X**	15-188X
	Silverado 2500 HD	V8 6.6L; LTZ; 2 Piece Driveshaft	S	2	5-188X*	SPL55-1X* SPL55X**	15-188X
	Silverado 2500 HD	V8 6.6L; WT; 2 Piece Driveshaft	S	2	5-188X*	SPL55-1X* SPL55X**	15-188X
2016	Silverado 2500 HD	V8 6.0L; 2 Piece Driveshaft	S	2	5-160X*	5-1410-1X* 5-1410X**	15-160X
	Silverado 2500 HD	V8 6.0L; 2 Piece Driveshaft	S	3	5-188X*	SPL55-1X* SPL55X**	15-188X
	Silverado 2500 HD	V8 6.6L; 2 Piece Driveshaft	S	3	5-188X*	SPL55-1X* SPL55X**	15-188X

\* GREASEABLE \*\* NON-GREASEABLE

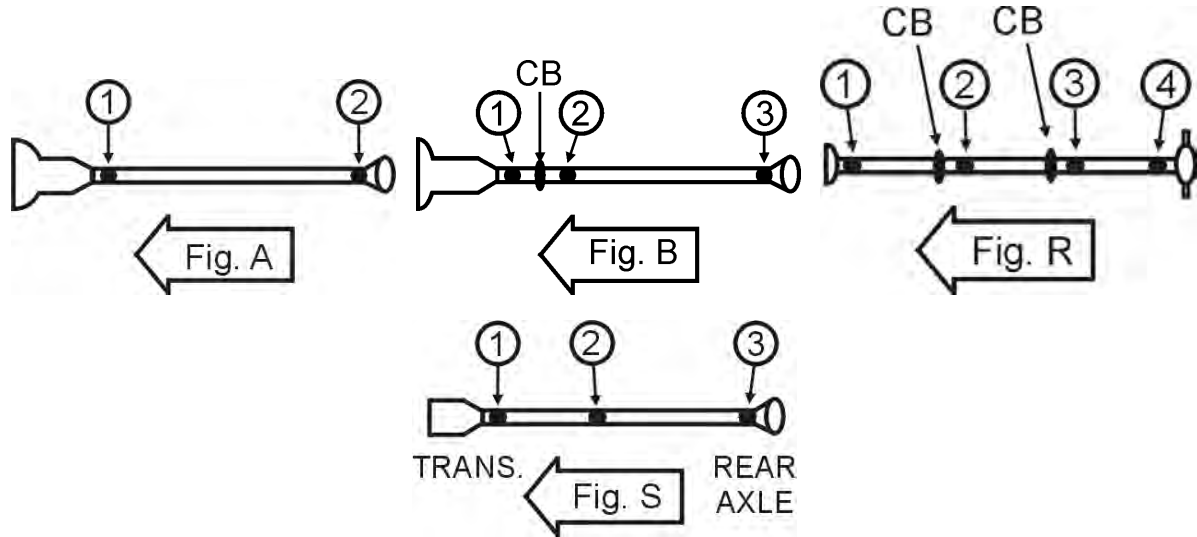
R  
W  
D

**Chevrolet (Cont'd)**

Year	Model	Description	Fig.	Location	Spicer Part #	SPL Part #	SVL Part #
2001-2002	Silverado 3500	3 Piece Driveshaft; w/ Spicer 1410 Series Driveshaft	R	1,2,3,4	5-160X*	5-1410-1X* 5-1410X**	15-160X
	Silverado 3500	2 Piece Driveshaft; w/ AAM 1415 Series Driveshaft	S	1,2,3	5-3207X**		
	Silverado 3500	2 Piece Driveshaft; w/ Spicer 1410 Series Driveshaft; w/ Aluminum Yoke	S	1,2,3		5-3616X	
	Silverado 3500	2 Piece Driveshaft; w/ Spicer 1410 Series Driveshaft; w/ Steel Yoke	S	1,2,3	5-160X*	5-1410-1X* 5-1410X**	15-160X
	Silverado 3500	2 Piece Driveshaft; w/ Spicer 1480 Series Driveshaft	S	1,2,3	5-188X*	SPL55-1X* SPL55X**	15-188X
2003-2006	Silverado 3500	w/ AAM 1415 Series Driveshaft	S	1,2,3	5-3207X**		
	Silverado 3500	w/ Spicer 1410 Series Driveshaft; w/ Aluminum Yoke	S	1,2,3		5-3616X	
	Silverado 3500	w/ Spicer 1410 Series Driveshaft; w/ Steel Yoke	S	1,2,3	5-160X*	5-1410-1X* 5-1410X**	15-160X
	Silverado 3500	w/ Spicer 1480 Series Driveshaft	S	1,2,3	5-188X*	SPL55-1X* SPL55X**	15-188X
2007-2010	Silverado 3500 HD		S	1	5-3207X**		
	Silverado 3500 HD		S	2,3	5-3206X		
2011	Silverado 3500 HD	w/ AAM 1485 Series Driveshaft	S	2,3	5-3206X		
2011-2013	Silverado 3500 HD	w/ AAM 1415 Series Driveshaft	S	1	5-3207X**		
2014	Silverado 3500 HD	2 Piece Driveshaft	S	2,3	5-188X*	SPL55-1X* SPL55X**	15-188X
2014-2015	Silverado 3500 HD	2 Piece Driveshaft	S	1	5-160X*	5-1410-1X* 5-1410X**	15-160X
2015	Silverado 3500 HD	V8 6.0L; LT; 2 Piece Driveshaft	S	2	5-188X*	SPL55-1X* SPL55X**	15-188X
	Silverado 3500 HD	V8 6.0L; LTZ; 2 Piece Driveshaft	S	2	5-188X*	SPL55-1X* SPL55X**	15-188X
	Silverado 3500 HD	V8 6.0L; WT; 2 Piece Driveshaft	S	2	5-188X*	SPL55-1X* SPL55X**	15-188X
	Silverado 3500 HD	V8 6.6L; LT; 2 Piece Driveshaft	S	2	5-188X*	SPL55-1X* SPL55X**	15-188X
	Silverado 3500 HD	V8 6.6L; LTZ; 2 Piece Driveshaft	S	2	5-188X*	SPL55-1X* SPL55X**	15-188X
	Silverado 3500 HD	V8 6.6L; WT; 2 Piece Driveshaft	S	2	5-188X*	SPL55-1X* SPL55X**	15-188X
	Silverado 3500 HD	2 Piece Driveshaft	S	3	5-188X*	SPL55-1X* SPL55X**	15-188X
2015-2016	Silverado 3500 HD	V8 6.0L; High Country; 2 Piece Driveshaft	S	2	5-160X*	5-1410-1X* 5-1410X**	15-160X
	Silverado 3500 HD	V8 6.6L; High Country; 2 Piece Driveshaft	S	2	5-160X*	5-1410-1X* 5-1410X**	15-160X
2016	Silverado 3500 HD	V8 6.0L; LT; 2 Piece Driveshaft	S	1	5-160X*	5-1410-1X* 5-1410X**	15-160X
	Silverado 3500 HD	V8 6.0L; LTZ; 2 Piece Driveshaft	S	1	5-160X*	5-1410-1X* 5-1410X**	15-160X
	Silverado 3500 HD	V8 6.0L; WT; 2 Piece Driveshaft	S	1	5-160X*	5-1410-1X* 5-1410X**	15-160X
	Silverado 3500 HD	V8 6.6L; LT; 2 Piece Driveshaft	S	1	5-160X*	5-1410-1X* 5-1410X**	15-160X
	Silverado 3500 HD	V8 6.6L; LTZ; 2 Piece Driveshaft	S	1	5-160X*	5-1410-1X* 5-1410X**	15-160X
	Silverado 3500 HD	V8 6.6L; WT; 2 Piece Driveshaft	S	1	5-160X*	5-1410-1X* 5-1410X**	15-160X
	Silverado 3500 HD	V8 6.0L; LT; 2 Piece Driveshaft	S	2,3	5-188X*	SPL55-1X* SPL55X**	15-188X
	Silverado 3500 HD	V8 6.0L; LTZ; 2 Piece Driveshaft	S	2,3	5-188X*	SPL55-1X* SPL55X**	15-188X
	Silverado 3500 HD	V8 6.0L; WT; 2 Piece Driveshaft	S	2,3	5-188X*	SPL55-1X* SPL55X**	15-188X
	Silverado 3500 HD	V8 6.6L; LT; 2 Piece Driveshaft	S	2,3	5-188X*	SPL55-1X* SPL55X**	15-188X

\* GREASEABLE \*\* NON-GREASEABLE

RWD



**Chevrolet (Cont'd)**

Year	Model	Description	Fig.	Location	Spicer Part #	SPL Part #	SVL Part #
2016	Silverado 3500 HD	V8 6.6L; LTZ; 2 Piece Driveshaft	S	2,3	5-188X*	SPL55-1X* SPL55X**	15-188X
	Silverado 3500 HD	V8 6.6L; WT; 2 Piece Driveshaft	S	2,3	5-188X*	SPL55-1X* SPL55X**	15-188X
	Silverado 3500 HD	V8 6.0L; High Country; 2 Piece Driveshaft	S	3	5-188X*	SPL55-1X* SPL55X**	15-188X
	Silverado 3500 HD	V8 6.6L; High Country; 2 Piece Driveshaft	S	3	5-188X*	SPL55-1X* SPL55X**	15-188X
2003-2006	SSR	1 Piece Driveshaft	A	1,2	5-3147X*	5-795X**	15-3147X
2000-2006	Suburban 1500	1 Piece Driveshaft	A	1	5-213X*	5-1330-1X* 5-1330X**	15-213X
	Suburban 1500	1 Piece Driveshaft	A	2	5-212X*	5-793X**	
2007-2008	Suburban 1500	V8 5.3L; 1 Piece Driveshaft	A	1,2	5-3147X*	5-795X**	15-3147X
	Suburban 1500	V8 6.0L; 1 Piece Driveshaft	A	1,2	5-178X*	5-1350-1X* 5-1350X**	15-178X
2009-2014	Suburban 1500	1 Piece Driveshaft	A	1,2	5-178X*	5-1350-1X* 5-1350X**	15-178X
2001-2006	Suburban 2500	V8 6.0L; 1 Piece Driveshaft	A	1,2	5-178X*	5-1350-1X* 5-1350X**	15-178X
	Suburban 2500	V8 8.1L; 1 Piece Driveshaft	A	1,2	5-160X*	5-1410-1X* 5-1410X**	15-160X
2007	Suburban 2500	1 Piece Driveshaft	A	1,2	5-178X*	5-1350-1X* 5-1350X**	15-178X
2008-2013	Suburban 2500	1 Piece Driveshaft	A	1,2	5-160X*	5-1410-1X* 5-1410X**	15-160X
1997-2002	T6500	Propeller Shaft Center Support	B	CB	210866-1X		
1997-2002	T7500	Propeller Shaft Center Support	B	CB	210866-1X		
1995-1999	Tahoe		A	1,2	5-3147X*	5-795X**	15-3147X
2000-2007	Tahoe	1 Piece Driveshaft	A	1,2	5-3147X*	5-795X**	15-3147X
2008	Tahoe	V8 4.8L; 1 Piece Driveshaft	A	1,2	5-3147X*	5-795X**	15-3147X
	Tahoe	V8 5.3L; 1 Piece Driveshaft	A	1,2	5-3147X*	5-795X**	15-3147X
	Tahoe	V8 6.0L; 1 Piece Driveshaft	A	1,2	5-178X*	5-1350-1X* 5-1350X**	15-178X
	Tahoe	V8 6.2L; 1 Piece Driveshaft	A	1,2	5-178X*	5-1350-1X* 5-1350X**	15-178X
2009-2016	Tahoe	1 Piece Driveshaft	A	1,2	5-178X*	5-1350-1X* 5-1350X**	15-178X
1998-2004	Tracker		A	1,2	5-1503X		
2002-2005	Trailblazer	1 Piece Driveshaft	A	1,2	5-3147X*	5-795X**	15-3147X
2006-2008	Trailblazer	L6 4.2L; 1 Piece Driveshaft	A	1,2	5-3147X*	5-795X**	15-3147X

\* GREASEABLE \*\* NON-GREASEABLE

R  
W  
D

**Chevrolet (Cont'd)**

Year	Model	Description	Fig.	Location	Spicer Part #	SPL Part #	SVL Part #
2006-2008	Trailblazer	V8 5.3L; 1 Piece Driveshaft	A	1,2	5-3147X*	5-795X**	15-3147X
	Trailblazer	V8 6.0L; 1 Piece Driveshaft	A	1,2	5-178X*	5-1350-1X* 5-1350X**	15-178X
2009	Trailblazer	1 Piece Driveshaft	A	1,2	5-178X*	5-1350-1X* 5-1350X**	15-178X
2002-2006	Trailblazer EXT	1 Piece Driveshaft	A	1,2	5-3147X*	5-795X**	15-3147X

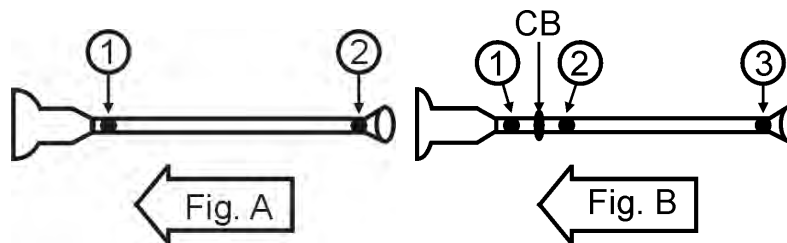
**Chrysler**

Year	Model	Description	Fig.	Location	Spicer Part #	SPL Part #	SVL Part #
2007-2009	Aspen	1 Piece Driveshaft	A	1,2	5-3147X*	5-795X**	15-3147X

**Dodge**

Year	Model	Description	Fig.	Location	Spicer Part #	SPL Part #	SVL Part #
1964-1970	A100		A	1,2	5-3228X	5-789X	
1967-1970	A100 Pickup		A	1,2	5-3228X	5-789X	
1964-1970	A100 Truck		A	1,2	5-3228X	5-789X	
1975-1980	B100	w/ 2.125" Snap Ring	A	1,2	5-3228X	5-789X	
	B100	w/ 2.625" Snap Ring	A	1,2	5-1309X	5-811X	
1971-1973	B100 Van		A	1,2	5-3228X	5-789X	
1974	B100 Van	3.7L; 5.2L; 5.9L	A	1,2	5-3228X	5-789X	
	B100 Van	7.2L	A	1,2	5-1309X	5-811X	
1981	B150	w/ 2.125" Snap Ring	A	1,2	5-3228X	5-789X	
	B150	w/ 2.625" Snap Ring	A	1,2	5-1309X	5-811X	
1982-1987	B150		A	1,2	5-3228X	5-789X	
1988	B150	2 Piece Driveshaft	B	1,2,3	5-1309X	5-811X	
1988-1991	B150	1 Piece Driveshaft	A	1,2	5-3228X	5-789X	
1989-1991	B150	2 Piece Driveshaft	B	1,2,3	5-160X*	5-1410-1X* 5-1410X**	15-160X
1992-1994	B150	1.078" Cup Dia.	A	1,2	5-3228X	5-789X	
	B150	1.126" Cup Dia.	A	1,2	5-1309X	5-811X	
1995-1997	B1500		A	1,2	5-1309X	5-811X	
1998	B1500	127.6" WB	A	1	5-213X*	5-1330-1X* 5-1330X**	15-213X
	B1500	109.6" WB	A	1,2	5-1309X	5-811X	
	B1500	127.6" WB	A	2	5-3227X	5-7437X	
1975-1980	B200	w/ 2.125" Snap Ring	A	1,2	5-3228X	5-789X	
	B200	w/ 2.625" Snap Ring	A	1,2	5-1309X	5-811X	
1971-1973	B200 Van		A	1,2	5-3228X	5-789X	
1974	B200 Van	w/ 2.125" Snap Ring	A	1,2	5-3228X	5-789X	
	B200 Van	w/ 2.625" Snap Ring	A	1,2	5-1309X	5-811X	
1981	B250	w/ 2.125" Snap Ring	A	1,2	5-3228X	5-789X	
	B250	w/ 2.625" Snap Ring	A	1,2	5-1309X	5-811X	
1982-1988	B250		A	1,2	5-3228X	5-789X	
1989-1991	B250	1 Piece Driveshaft	A	1,2	5-3228X	5-789X	
	B250	2 Piece Driveshaft	B	1,2,3	5-160X*	5-1410-1X* 5-1410X**	15-160X
1992-1994	B250	1.078" Cup Dia.	A	1,2	5-3228X	5-789X	
	B250	1.125" Cup Dia.	A	1,2	5-1309X	5-811X	
1995-1997	B2500		A	1,2	5-1309X	5-811X	
1998	B2500		A	1	5-213X*	5-1330-1X* 5-1330X**	15-213X
	B2500	w/ Steel Yoke	A	2	5-3227X	5-7437X	
1975-1980	B300	1 Piece Driveshaft; w/ 2.125" Snap Ring	A	1,2	5-3228X	5-789X	
	B300	1 Piece Driveshaft; w/ 2.625" Snap Ring	A	1,2	5-1309X	5-811X	
	B300	2 Piece Driveshaft; w/ 2.125" Snap Ring	B	1,2,3	5-3228X	5-789X	
	B300	2 Piece Driveshaft; w/ 2.625" Snap Ring	B	1,2,3	5-1309X	5-811X	
1971-1974	B300 Van	1 Piece Driveshaft; w/ 2.125" Snap Ring	A	1,2	5-3228X	5-789X	
	B300 Van	1 Piece Driveshaft; w/ 2.625" Snap Ring	A	1,2	5-1309X	5-811X	
	B300 Van	2 Piece Driveshaft; w/ 2.125" Snap Ring	B	1,2,3	5-3228X	5-789X	

\* GREASEABLE \*\* NON-GREASEABLE



Dodge (Cont'd)

Year	Model	Description	Fig.	Location	Spicer Part #	SPL Part #	SVL Part #
1971-1974	B300 Van	2 Piece Driveshaft; w/ 2.625" Snap Ring	B	1,2,3	5-1309X	5-811X	
1981	B350	1 Piece Driveshaft; w/ 2.125" Snap Ring	A	1,2	5-3228X	5-789X	
	B350	1 Piece Driveshaft; w/ 2.625" Snap Ring	A	1,2	5-1309X	5-811X	
	B350	2 Piece Driveshaft; w/ 2.125" Snap Ring	B	1,2,3	5-3228X	5-789X	
	B350	2 Piece Driveshaft; w/ 2.625" Snap Ring	B	1,2,3	5-1309X	5-811X	
	B350	2 Piece Driveshaft	B	1,2,3	5-3228X	5-789X	
1982-1988	B350	2 Piece Driveshaft	B	1,2,3	5-3228X	5-789X	
1982-1991	B350	1 Piece Driveshaft	A	1,2	5-3228X	5-789X	
1989-1991	B350	2 Piece Driveshaft	B	1,2,3	5-160X*	5-1410-1X* 5-1410X**	15-160X
1992-1994	B350	1.078" Cup Dia.; 7260 Series	A	1,2	5-3228X	5-789X	
	B350	1.125" Cup Dia.; 7290 Series	A	1,2	5-1309X	5-811X	
1995-1998	B3500	1.125" Cup Dia.; 7290 Series	A	1,2	5-1309X	5-811X	
	B3500	1.188" Cup Dia.; 1410 Series	A	1,2	5-160X*	5-1410-1X* 5-1410X**	15-160X
1973-1980	CB300	1 Piece Driveshaft; w/ 2.125" Snap Ring	A	1,2	5-3228X	5-789X	
	CB300	1 Piece Driveshaft; w/ 2.625" Snap Ring	A	1,2	5-1309X	5-811X	
	CB300	2 Piece Driveshaft; w/ 2.125" Snap Ring	B	1,2,3	5-3228X	5-789X	
	CB300	2 Piece Driveshaft; w/ 2.625" Snap Ring	B	1,2,3	5-1309X	5-811X	
1975-1979	D100	1 Piece Driveshaft; w/ 2.125" Snap Ring	A	1,2	5-3228X	5-789X	
	D100	1 Piece Driveshaft; w/ 2.625" Snap Ring	A	1,2	5-1309X	5-811X	
	D100	2 Piece Driveshaft; w/ 2.125" Snap Ring	B	1,2,3	5-3228X	5-789X	
	D100	2 Piece Driveshaft; w/ 2.625" Snap Ring	B	1,2,3	5-1309X	5-811X	
1957	D100 Pickup		A	1,2	5-1200X		
	D100 Pickup		B	1			15-153X
	D100 Pickup		B	1	5-153X*	5-1310-1X* 5-1310X**	
	D100 Pickup		B	2			15-153X
	D100 Pickup		B	2	5-153X*	5-1310-1X* 5-1310X**	
	D100 Pickup		B	3	5-153X*	5-1310-1X* 5-1310X**	15-153X
1958-1959	D100 Pickup		B	1,2,3	5-1200X		
1968-1972	D100 Pickup		B	1,2,3	5-3228X	5-789X	
1973-1974	D100 Pickup	1 Piece Driveshaft; w/ 2.125" Snap Ring	A	1,2	5-3228X	5-789X	
	D100 Pickup	1 Piece Driveshaft; w/ 2.625" Snap Ring	A	1,2	5-1309X	5-811X	
	D100 Pickup	2 Piece Driveshaft; w/ 2.125" Snap Ring	B	1,2,3	5-3228X	5-789X	
	D100 Pickup	2 Piece Driveshaft; w/ 2.625" Snap Ring	B	1,2,3	5-1309X	5-811X	
1960	D100 Series		B	1,2,3	5-1200X		
1961-1967	D100 Series		B	1,2,3	5-3228X	5-789X	
1977-1981	D150	1 Piece Driveshaft; w/ 2.125" Snap Ring	A	1,2	5-3228X	5-789X	
	D150	1 Piece Driveshaft; w/ 2.625" Snap Ring	A	1,2	5-1309X	5-811X	
	D150	2 Piece Driveshaft; w/ 2.125" Snap Ring	B	1,2,3	5-3228X	5-789X	
	D150	2 Piece Driveshaft; w/ 2.625" Snap Ring	B	1,2,3	5-1309X	5-811X	
1982-1988	D150		B	1,2,3	5-3228X	5-789X	
1989-1993	D150	1.078" Cup Dia.; 7260 Series	B	1,2,3	5-3228X	5-789X	
	D150	1.125" Cup Dia.; 7290 Series	B	1,2,3	5-1309X	5-811X	
1975-1980	D200	1 Piece Driveshaft; w/ 2.125" Snap Ring	A	1,2	5-3228X	5-789X	
	D200	1 Piece Driveshaft; w/ 2.625" Snap Ring	A	1,2	5-1309X	5-811X	
	D200	2 Piece Driveshaft; w/ 2.125" Snap Ring	B	1,2,3	5-3228X	5-789X	

\* GREASEABLE \*\* NON-GREASEABLE

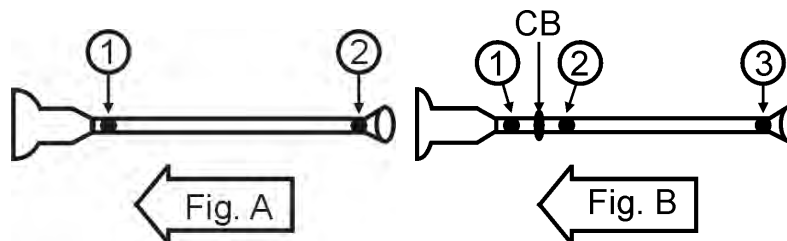
R  
W  
D

**Dodge (Cont'd)**

Year	Model	Description	Fig.	Location	Spicer Part #	SPL Part #	SVL Part #
1975-1980	D200	2 Piece Driveshaft; w/ 2.625" Snap Ring	B	1,2,3	5-1309X	5-811X	
1957-1959	D200 Pickup		B	1,2,3	5-1200X		
1968-1974	D200 Pickup	1 Piece Driveshaft; w/ 2.125" Snap Ring	A	1,2	5-3228X	5-789X	
	D200 Pickup	1 Piece Driveshaft; w/ 2.625" Snap Ring	A	1,2	5-1309X	5-811X	
	D200 Pickup	2 Piece Driveshaft; w/ 2.125" Snap Ring	B	1,2,3	5-3228X	5-789X	
	D200 Pickup	2 Piece Driveshaft; w/ 2.625" Snap Ring	B	1,2,3	5-1309X	5-811X	
1960-1967	D200 Series	1 Piece Driveshaft; w/ 2.125" Snap Ring	A	1,2	5-3228X	5-789X	
	D200 Series	1 Piece Driveshaft; w/ 2.625" Snap Ring	A	1,2	5-1309X	5-811X	
	D200 Series	2 Piece Driveshaft; w/ 2.125" Snap Ring	B	1,2,3	5-3228X	5-789X	
	D200 Series	2 Piece Driveshaft; w/ 2.625" Snap Ring	B	1,2,3	5-1309X	5-811X	
1981	D250	1 Piece Driveshaft; w/ 2.125" Snap Ring	A	1,2	5-3228X	5-789X	
	D250	1 Piece Driveshaft; w/ 2.625" Snap Ring	A	1,2	5-1309X	5-811X	
	D250	2 Piece Driveshaft; w/ 2.125" Snap Ring	B	1,2,3	5-3228X	5-789X	
	D250	2 Piece Driveshaft; w/ 2.625" Snap Ring	B	1,2,3	5-1309X	5-811X	
1982-1988	D250	1 Piece Driveshaft	A	1,2	5-3228X	5-789X	
	D250	2 Piece Driveshaft	B	1,2,3	5-3228X	5-789X	
1989-1993	D250	Diesel; 1 Piece Driveshaft	A	1,2	5-160X*	5-1410-1X* 5-1410X**	15-160X
	D250	Gas; 1 Piece Driveshaft; 1.078" Cup Dia.	A	1,2	5-3228X	5-789X	
	D250	Gas; 1 Piece Driveshaft; 1.125" Cup Dia.	A	1,2	5-1309X	5-811X	
	D250	Diesel; 2 Piece Driveshaft	B	1,2,3	5-160X*	5-1410-1X* 5-1410X**	15-160X
	D250	Gas; 2 Piece Driveshaft; 1.078" Cup Dia.	B	1,2,3	5-3228X	5-789X	
	D250	Gas; 2 Piece Driveshaft; 1.125" Cup Dia.	B	1,2,3	5-1309X	5-811X	
1975-1980	D300	1 Piece Driveshaft; w/ 2.125" Snap Ring	A	1,2	5-3228X	5-789X	
	D300	1 Piece Driveshaft; w/ 2.625" Snap Ring	A	1,2	5-1309X	5-811X	
	D300	2 Piece Driveshaft; w/ 2.125" Snap Ring	B	1,2,3	5-3228X	5-789X	
	D300	2 Piece Driveshaft; w/ 2.625" Snap Ring	B	1,2,3	5-1309X	5-811X	
1968-1971	D300 Pickup		B	1,2,3	5-3228X	5-789X	
1972-1974	D300 Pickup	1 Piece Driveshaft; w/ 2.125" Snap Ring	A	1,2	5-3228X	5-789X	
	D300 Pickup	1 Piece Driveshaft; w/ 2.625" Snap Ring	A	1,2	5-1309X	5-811X	
	D300 Pickup	2 Piece Driveshaft; w/ 2.125" Snap Ring	B	1,2,3	5-3228X	5-789X	
	D300 Pickup	2 Piece Driveshaft; w/ 2.625" Snap Ring	B	1,2,3	5-1309X	5-811X	
1960-1967	D300 Series		B	1,2,3	5-3228X	5-789X	
1981	D350	1 Piece Driveshaft; w/ 2.125" Snap Ring	A	1,2	5-3228X	5-789X	
	D350	1 Piece Driveshaft; w/ 2.625" Snap Ring	A	1,2	5-1309X	5-811X	
	D350	2 Piece Driveshaft; w/ 2.125" Snap Ring	B	1,2,3	5-3228X	5-789X	
	D350	2 Piece Driveshaft; w/ 2.625" Snap Ring	B	1,2,3	5-1309X	5-811X	
1982-1988	D350		B	1,2,3	5-3228X	5-789X	
1989-1993	D350	Diesel; 1 Piece Driveshaft	A	1,2	5-160X*	5-1410-1X* 5-1410X**	15-160X
	D350	Gas; 1 Piece Driveshaft; 1.078" Cup Dia.	A	1,2	5-3228X	5-789X	
	D350	Gas; 1 Piece Driveshaft; 1.125" Cup Dia.	A	1,2	5-1309X	5-811X	
	D350	Diesel; 2 Piece Driveshaft	B	1,2,3	5-160X*	5-1410-1X* 5-1410X**	15-160X
	D350	Gas; 2 Piece Driveshaft; 1.078" Cup Dia.	B	1,2,3	5-3228X	5-789X	
	D350	Gas; 2 Piece Driveshaft; 1.125" Cup Dia.	B	1,2,3	5-1309X	5-811X	
1979-1982	D50	2.0L	A	1,2	5-1503X		
	D50	2.6L	A	1,2	5-3217X		
1987-1989	Dakota	1 Piece Driveshaft	A	1,2	5-3228X	5-789X	
	Dakota	2 Piece Driveshaft	B	1,2,3	5-3228X	5-789X	
1990-1993	Dakota	1 Piece Driveshaft; 1.078" Cup Dia.	A	1,2	5-3228X	5-789X	
	Dakota	1 Piece Driveshaft; 1.126" Cup Dia.	A	1,2	5-1309X	5-811X	
	Dakota	2 Piece Driveshaft; 1.078" Cup Dia.	B	1,2,3	5-3228X	5-789X	
	Dakota	2 Piece Driveshaft; 1.126" Cup Dia.	B	1,2,3	5-1309X	5-811X	
1994-1998	Dakota	1 Piece Driveshaft	A	1,2	5-1309X	5-811X	
	Dakota	2 Piece Driveshaft	B	1,2,3	5-1309X	5-811X	
1999-2010	Dakota	1 Piece Driveshaft	A	1,2	5-213X*	5-1330-1X* 5-1330X**	15-213X

\* GREASEABLE \*\* NON-GREASEABLE





Dodge (Cont'd)

Year	Model	Description	Fig.	Location	Spicer Part #	SPL Part #	SVL Part #
1999-2010	Dakota	2 Piece Driveshaft	B	1,2,3	5-213X*	5-1330-1X* 5-1330X**	15-213X
1999	Durango		A	1,2	5-1309X	5-811X	
2000	Durango	V8 4.7L; 1 Piece Driveshaft	A	1,2	5-213X*	5-1330-1X* 5-1330X**	15-213X
	Durango	V8 5.2L; 1 Piece Driveshaft	A	1,2	5-3147X*	5-795X**	15-3147X
	Durango	V8 5.9L; 1 Piece Driveshaft	A	1,2	5-213X*	5-1330-1X* 5-1330X**	15-213X
2001-2003	Durango	1 Piece Driveshaft	A	1,2	5-213X*	5-1330-1X* 5-1330X**	15-213X
2004-2009	Durango	1 Piece Driveshaft	A	1,2	5-3147X*	5-795X**	15-3147X
1972-1974	MB300	w/ 2.125" Snap Ring	B	1,2,3	5-3228X	5-789X	
	MB300	w/ 2.625" Snap Ring	B	1,2,3	5-1309X	5-811X	
1961-1969	P200	1 Piece Driveshaft	A	1,2	5-3228X	5-789X	
	P200	2 Piece Driveshaft	B	1,2,3	5-3228X	5-789X	
1970-1972	P200		A	1,2	5-3228X	5-789X	
1967-1968	P200 Van	1 Piece Driveshaft	A	1,2	5-3228X	5-789X	
	P200 Van	2 Piece Driveshaft	B	1,2,3	5-3228X	5-789X	
1969-1974	P200 Van		A	1,2	5-3228X	5-789X	
1994-1997	Ram 1500	1 Piece Driveshaft; w/ Steel Shaft	A	1,2	5-1309X	5-811X	
1994-1998	Ram 1500	2 Piece Driveshaft	B	1,2,3	5-1309X	5-811X	
1998	Ram 1500	Auto Trans; 1 Piece Driveshaft	A	1	5-213X*	5-1330-1X* 5-1330X**	15-213X
	Ram 1500	Standard Trans; 1 Piece Driveshaft	A	1,2	5-1309X	5-811X	
	Ram 1500	Auto Trans; 1 Piece Driveshaft	A	2	5-3227X	5-7437X	
1999	Ram 1500	1 Piece Driveshaft	A	1	5-213X*	5-1330-1X* 5-1330X**	15-213X
	Ram 1500	1 Piece Driveshaft	A	2	5-3227X	5-7437X	
	Ram 1500	2 Piece Driveshaft	B	1,2	5-213X*	5-1330-1X* 5-1330X**	15-213X
	Ram 1500	2 Piece Driveshaft	B	3	5-3227X	5-7437X	
2000-2003	Ram 1500	1 Piece Driveshaft	A	1,2	5-213X*	5-1330-1X* 5-1330X**	15-213X
	Ram 1500	2 Piece Driveshaft	B	1,2,3	5-213X*	5-1330-1X* 5-1330X**	15-213X
2004	Ram 1500	SLT; ST; 1 Piece Driveshaft	A	1,2	5-213X*	5-1330-1X* 5-1330X**	15-213X
	Ram 1500	SRT-10; 1 Piece Driveshaft	A	1,2	5-160X*	5-1410-1X* 5-1410X**	15-160X
	Ram 1500	SLT; ST; 2 Piece Driveshaft	B	1,2,3	5-213X*	5-1330-1X* 5-1330X**	15-213X
2005	Ram 1500	Laramie; SLT; ST; 1 Piece Driveshaft	A	1,2	5-213X*	5-1330-1X* 5-1330X**	15-213X
	Ram 1500	SRT-10; 1 Piece Driveshaft	A	1,2	5-178X*	5-1350-1X* 5-1350X**	15-178X
	Ram 1500	Laramie; SLT; ST; 2 Piece Driveshaft	B	1,2,3	5-213X*	5-1330-1X* 5-1330X**	15-213X
	Ram 1500	SRT-10; 2 Piece Driveshaft; w/ Aluminum Yoke	B	1,3		5-3616X	
	Ram 1500	SRT-10; 2 Piece Driveshaft; w/ Steel Yoke	B	1,3	5-160X*	5-1410-1X* 5-1410X**	15-160X

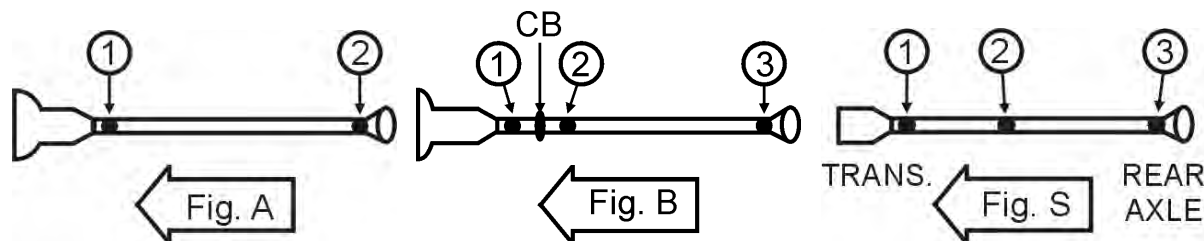
\* GREASEABLE \*\* NON-GREASEABLE

RWD

**Dodge (Cont'd)**

Year	Model	Description	Fig.	Location	Spicer Part #	SPL Part #	SVL Part #
2006	Ram 1500	Crew Cab; Standard Cab; Laramie; SLT; Sport; ST; 1 Piece Driveshaft	A	1,2	5-213X*	5-1330-1X* 5-1330X**	15-213X
	Ram 1500	Standard Cab; SRT-10; 1 Piece Driveshaft	A	1,2	5-178X*	5-1350-1X* 5-1350X**	15-178X
	Ram 1500	Crew Cab; SRT-10; 2 Piece Driveshaft; w/ Aluminum Yoke	B	1,2,3		5-3616X	
	Ram 1500	Crew Cab; SRT-10; 2 Piece Driveshaft; w/ Steel Yoke	B	1,2,3	5-160X*	5-1410-1X* 5-1410X**	15-160X
	Ram 1500	Crew Cab; Standard Cab; Laramie; SLT; Sport; ST; 2 Piece Driveshaft	B	1,2,3	5-213X*	5-1330-1X* 5-1330X**	15-213X
	Ram 1500	Extended Crew Cab; Laramie; SLT; 2 Piece Driveshaft	B	1,2,3	5-3207X**		
2007-2008	Ram 1500	Crew Cab; Standard Cab; 1 Piece Driveshaft	A	1,2	5-213X*	5-1330-1X* 5-1330X**	15-213X
	Ram 1500	Crew Cab; Standard Cab; 2 Piece Driveshaft	S	1,2,3	5-178X*	5-1350-1X* 5-1350X**	15-178X
	Ram 1500	Extended Crew Cab; 2 Piece Driveshaft	S	1,2,3	5-3207X**		
2009	Ram 1500	Crew Cab; Standard Cab; 3.7L; 1 Piece Driveshaft	A	1,2	5-213X*	5-1330-1X* 5-1330X**	15-213X
	Ram 1500	Crew Cab; Standard Cab; 4.7L; 5.7L; 1 Piece Driveshaft	A	1,2	5-178X*	5-1350-1X* 5-1350X**	15-178X
	Ram 1500	Crew Cab; Standard Cab; 3.7L; 2 Piece Driveshaft	S	1,2,3	5-178X*	5-1350-1X* 5-1350X**	15-178X
	Ram 1500	Extended Cab; 2 Piece Driveshaft	S	1,2,3	5-3207X**		
2010	Ram 1500	1 Piece Driveshaft	A	1,2	5-178X*	5-1350-1X* 5-1350X**	15-178X
	Ram 1500	2 Piece Driveshaft	S	1,2,3	5-213X*	5-1330-1X* 5-1330X**	15-213X
1999	Ram 1500 Van		A	1	5-213X*	5-1330-1X* 5-1330X**	15-213X
	Ram 1500 Van		A	2	5-3227X	5-7437X	
2000	Ram 1500 Van	V6 3.9L; Base; 1 Piece Driveshaft	A	1,2	5-213X*	5-1330-1X* 5-1330X**	15-213X
	Ram 1500 Van	V8 5.2L; Base; 1 Piece Driveshaft	A	1,2	5-160X*	5-1410-1X* 5-1410X**	15-160X
	Ram 1500 Van	V8 5.9L; Base; 1 Piece Driveshaft	A	1,2	5-160X*	5-1410-1X* 5-1410X**	15-160X
2001	Ram 1500 Van	V6 3.9L; 1 Piece Driveshaft	A	1,2	5-213X*	5-1330-1X* 5-1330X**	15-213X
	Ram 1500 Van	V8 5.2L; 1 Piece Driveshaft	A	1,2	5-160X*	5-1410-1X* 5-1410X**	15-160X
	Ram 1500 Van	V8 5.9L; 1 Piece Driveshaft	A	1,2	5-160X*	5-1410-1X* 5-1410X**	15-160X
2002-2003	Ram 1500 Van	1 Piece Driveshaft	A	1,2	5-213X*	5-1330-1X* 5-1330X**	15-213X
1998-2002	Ram 2500		B	CB	211963-1X		
1999	Ram 2500	Standard Trans; 2 Piece Driveshaft	B	1,2,3	5-160X*	5-1410-1X* 5-1410X**	15-160X
2000	Ram 2500	1 Piece Driveshaft; 1.063" Cup Dia.; 1330 Series	A	1	5-213X*	5-1330-1X* 5-1330X**	15-213X
	Ram 2500	1 Piece Driveshaft; 1.188" Cup Dia.; 1410 Series	A	1	5-160X*	5-1410-1X* 5-1410X**	15-160X
	Ram 2500	1 Piece Driveshaft; 1.063" Cup Dia.; 1330 Series	A	2		SPL55-3X** SPL55-4X*	
	Ram 2500	1 Piece Driveshaft; 1.188" Cup Dia.; 1410 Series	A	2		SPL55-3X** SPL55-4X*	
	Ram 2500	Standard Trans; 5.9L; Gas; 2 Piece Driveshaft	B	1,2,3	5-160X*	5-1410-1X* 5-1410X**	15-160X
2001-2002	Ram 2500	Diesel; 1 Piece Driveshaft	A	1,2	5-213X*	5-1330-1X* 5-1330X**	15-213X
	Ram 2500	Gas; 1 Piece Driveshaft	A	1,2	5-160X*	5-1410-1X* 5-1410X**	15-160X
	Ram 2500	2 Piece Driveshaft	B	1,2,3	5-160X*	5-1410-1X* 5-1410X**	15-160X

\* GREASEABLE \*\* NON-GREASEABLE



Dodge (Cont'd)

Year	Model	Description	Fig.	Location	Spicer Part #	SPL Part #	SVL Part #
2003	Ram 2500	2 Piece Driveshaft; w/ 1410 Series Driveshaft	B	1,2,3	5-160X*	5-1410-1X* 5-1410X**	15-160X
2005	Ram 2500	Diesel; 1 Piece Driveshaft	A	1,2	5-160X*	5-1410-1X* 5-1410X**	15-160X
	Ram 2500	Gas; Auto Trans; 1 Piece Driveshaft	A	1,2	5-160X*	5-1410-1X* 5-1410X**	15-160X
	Ram 2500	Gas; Standard Trans; 1 Piece Driveshaft	A	1,2	5-3206X		
	Ram 2500	Diesel; Standard Trans; G56; 2 Piece Driveshaft; AAM 1485S	B	1,2,3	5-3231X		
	Ram 2500	Diesel; Standard Trans; G56; 2 Piece Driveshaft; AAM 1485WJ	B	1,2,3	5006813**		
	Ram 2500	Diesel; Standard Trans; NV5600; 2 Piece Driveshaft	B	1,2,3	5-3206X		
	Ram 2500	Gas; Standard Trans; 2 Piece Driveshaft	B	1,2,3	5-3206X		
	Ram 2500	Diesel; Auto Trans; 2 Piece Driveshaft	B	1,3	5-160X*	5-1410-1X* 5-1410X**	15-160X
	Ram 2500	Gas; Auto Trans; 2 Piece Driveshaft	B	1,3	5-160X*	5-1410-1X* 5-1410X**	15-160X
	Ram 2500	Auto Trans; 2 Piece Driveshaft	B	2	5-160X*	5-1410-1X* 5-1410X**	15-160X
2006	Ram 2500	1 Piece Driveshaft; w/ 1410 Series Driveshaft	A	1,2	5-160X*	5-1410-1X* 5-1410X**	15-160X
	Ram 2500	Auto Trans; 2 Piece Driveshaft; w/ 1410 Series Driveshaft	B	1,2,3	5-160X*	5-1410-1X* 5-1410X**	15-160X
	Ram 2500	Naturally Aspirated; Standard Trans; 2 Piece Driveshaft; w/ 1410 Series Driveshaft	B	1,2,3	5-160X*	5-1410-1X* 5-1410X**	15-160X
	Ram 2500	Turbocharged; Standard Trans; 2 Piece Driveshaft; w/ 1480 Series Driveshaft	B	1,2,3	5-188X*	SPL55-1X* SPL55X**	15-188X
2007	Ram 2500	Laramie; SLT; ST; Standard Trans; 6.7L; 1 Piece Driveshaft; w/ AAM 1485 Series	A	1,2	5-3206X		
	Ram 2500	Exc. Power Wagon; 5.7L; 2 Piece Driveshaft; w/ AAM 1415 Series	S	1,2,3	5-3207X**		
	Ram 2500	Laramie; SLT; ST; Standard Trans; 6.7L; 2 Piece Driveshaft; w/ AAM 1485 Series	S	1,2,3	5-3206X		
2007-2008	Ram 2500	Laramie; SLT; ST; Auto Trans; 6.7L; 1 Piece Driveshaft; w/ AAM 1415 Series	A	1,2	5-3207X**		
	Ram 2500	Laramie; SLT; ST; Auto Trans; 6.7L; 2 Piece Driveshaft; w/ Spicer Driveshaft	S	1,2,3	5-160X*	5-1410-1X* 5-1410X**	15-160X
2008	Ram 2500	Laramie; SLT; ST; SXT; Standard Trans; 6.7L; 1 Piece Driveshaft; w/ AAM 1485 Series	A	1,2	5-3206X		
	Ram 2500	SXT; Auto Trans; 6.7L; 1 Piece Driveshaft; w/ Spicer Driveshaft	A	1,2	5-188X*	SPL55-1X* SPL55X**	15-188X
	Ram 2500	Laramie; SLT; ST; SXT; 5.7L; 2 Piece Driveshaft; w/ AAM 1415 Series	S	1,2,3	5-3207X**		
	Ram 2500	Laramie; SLT; ST; SXT; Standard Trans; 6.7L; 2 Piece Driveshaft; w/ AAM 1485 Series	S	1,2,3	5-3206X		
	Ram 2500	SXT; Auto Trans; 6.7L; 2 Piece Driveshaft; w/ Spicer Driveshaft	S	1,2,3	5-188X*	SPL55-1X* SPL55X**	15-188X
2009	Ram 2500	Laramie; SLT; ST; Auto Trans; 5.7L; 6.7L; 1 Piece Driveshaft; w/ AAM 1415 Series	A	1,2	5-3207X**		
	Ram 2500	Laramie; SLT; ST; SXT; Standard Trans; 5.7L; 6.7L; 1 Piece Driveshaft; w/ AAM 1485 Series	A	1,2	5-3206X		

\* GREASEABLE \*\* NON-GREASEABLE

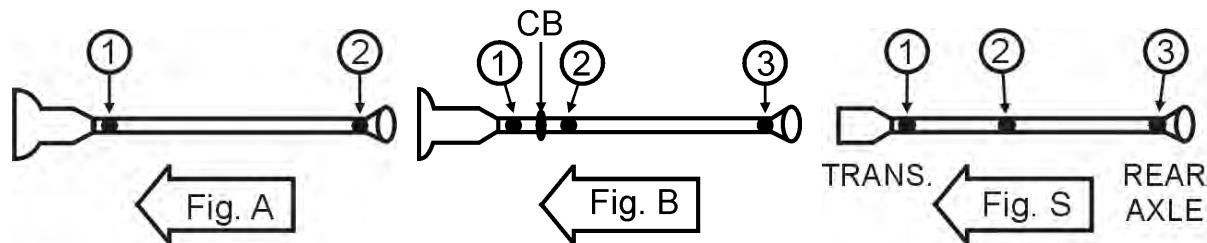
RWD

**Dodge (Cont'd)**

Year	Model	Description	Fig.	Location	Spicer Part #	SPL Part #	SVL Part #
2009	Ram 2500	SXT; Auto Trans; 5.7L; 6.7L; 1 Piece Driveshaft; w/ Spicer Driveshaft	A	1,2	5-188X*	SPL55-1X* SPL55X**	15-188X
	Ram 2500	Laramie; SLT; ST; Auto Trans; 5.7L; 6.7L; 2 Piece Driveshaft; w/ Spicer Driveshaft	S	1,2,3	5-160X*	5-1410-1X* 5-1410X**	15-160X
	Ram 2500	Laramie; SLT; ST; SXT; Standard Trans; 5.7L; 6.7L; 2 Piece Driveshaft; w/ AAM 1485 Series	S	1,2,3	5-3206X		
	Ram 2500	SXT; Auto Trans; 5.7L; 6.7L; 2 Piece Driveshaft; w/ Spicer Driveshaft	S	1,2,3	5-188X*	SPL55-1X* SPL55X**	15-188X
2010	Ram 2500	Laramie; SLT; ST; Auto Trans; 1 Piece Driveshaft	A	1,2	5-3207X**		
	Ram 2500	Laramie; SLT; ST; Standard Trans; 1 Piece Driveshaft	A	1,2	5-188X*	SPL55-1X* SPL55X**	15-188X
	Ram 2500	SXT; 1 Piece Driveshaft	A	1,2	5-188X*	SPL55-1X* SPL55X**	15-188X
	Ram 2500	Laramie; SLT; ST; Auto Trans; 2 Piece Driveshaft	S	1,2,3	5-160X*	5-1410-1X* 5-1410X**	15-160X
	Ram 2500	Laramie; SLT; ST; Standard Trans; 2 Piece Driveshaft	S	1,2,3	5-188X*	SPL55-1X* SPL55X**	15-188X
	Ram 2500	SXT; 2 Piece Driveshaft	S	1,2,3	5-188X*	SPL55-1X* SPL55X**	15-188X
1999	Ram 2500 Van	1 Piece Driveshaft; 1.063" Cup Dia.; Outside Snap Ring	A	1,2	5-213X*	5-1330-1X* 5-1330X**	15-213X
	Ram 2500 Van	1 Piece Driveshaft; 1.063" x 1.126" Cup Dia.; 1330 X 7290 Outside/Inside Snap Ring	A	1,2	5-3227X	5-7437X	
	Ram 2500 Van	1 Piece Driveshaft; 1.126" Cup Dia.; w/ Inside Snap Ring; 7290 Series	A	1,2	5-1309X	5-811X	
	Ram 2500 Van	1 Piece Driveshaft; 1.188" Cup Dia.; w/ Outside Snap Ring; 1440 Series	A	1,2	5-160X*	5-1410-1X* 5-1410X**	15-160X
	Ram 2500 Van	2 Piece Driveshaft; 1.063" x 1.126" Cup Dia.; 1330 X 7290 Outside/Inside Snap Ring	B	1,2	5-3227X	5-7437X	
	Ram 2500 Van	2 Piece Driveshaft; 1.063" Cup Dia.; Outside Snap Ring	B	1,2,3	5-213X*	5-1330-1X* 5-1330X**	15-213X
2000	Ram 2500 Van	V8 5.2L; Base; 1 Piece Driveshaft	A	1,2	5-160X*	5-1410-1X* 5-1410X**	15-160X
	Ram 2500 Van	V8 5.9L; Base; 1 Piece Driveshaft	A	1,2	5-160X*	5-1410-1X* 5-1410X**	15-160X
2001	Ram 2500 Van	V6 3.9L; 1 Piece Driveshaft	A	1,2	5-213X*	5-1330-1X* 5-1330X**	15-213X
	Ram 2500 Van	V8 5.2L; 1 Piece Driveshaft	A	1,2	5-160X*	5-1410-1X* 5-1410X**	15-160X
	Ram 2500 Van	V8 5.9L; 1 Piece Driveshaft	A	1,2	5-160X*	5-1410-1X* 5-1410X**	15-160X
2002-2003	Ram 2500 Van	1 Piece Driveshaft	A	1,2	5-213X*	5-1330-1X* 5-1330X**	15-213X
1994-1996	Ram 3500	Diesel; 1 Piece Driveshaft	A	1,2	5-160X*	5-1410-1X* 5-1410X**	15-160X
	Ram 3500	Gas; 1 Piece Driveshaft	A	1,2	5-1309X	5-811X	
	Ram 3500	Diesel; 2 Piece Driveshaft	B	1,2,3	5-160X*	5-1410-1X* 5-1410X**	15-160X
	Ram 3500	Gas; 2 Piece Driveshaft	B	1,2,3	5-1309X	5-811X	
1997	Ram 3500	2 Piece Driveshaft; 1.125" Cup Dia.	B	1,2,3	5-1309X	5-811X	
	Ram 3500	2 Piece Driveshaft; 1.188" Cup Dia.	B	1,2,3	5-160X*	5-1410-1X* 5-1410X**	15-160X
1998	Ram 3500	Auto Trans; 1 Piece Driveshaft; 1.062" Cup Dia.	A	1	5-213X*	5-1330-1X* 5-1330X**	15-213X
	Ram 3500	Auto Trans; 1 Piece Driveshaft; 1.888" Cup Dia.	A	1,2	5-160X*	5-1410-1X* 5-1410X**	15-160X
	Ram 3500	Auto Trans; 2 Piece Driveshaft	A	2	5-3227X	5-7437X	
1998-1999	Ram 3500	Standard Trans; 2 Piece Driveshaft; 1410 Series	B	1,2,3	5-160X*	5-1410-1X* 5-1410X**	15-160X
1998-2002	Ram 3500		B	CB	211963-1X		
1999	Ram 3500	1 Piece Driveshaft; w/ Outside Snap Rings; 1.888" Cup Dia.; w/ 1350 Series	A	1	5-178X*	5-1350-1X* 5-1350X**	15-178X

\* GREASEABLE \*\* NON-GREASEABLE

RWD



Dodge (Cont'd)

Year	Model	Description	Fig.	Location	Spicer Part #	SPL Part #	SVL Part #
1999	Ram 3500	Auto Trans; 1 Piece Driveshaft; w/ Outside Snap Rings; 1.062" Cup Dia.	A	1	5-213X*	5-1330-1X* 5-1330X**	15-213X
	Ram 3500	Auto Trans; 1 Piece Driveshaft; w/ Outside Snap Rings; 1.888" Cup Dia.; w/ 1410 Series	A	1	5-160X*	5-1410-1X* 5-1410X**	15-160X
	Ram 3500	1 Piece Driveshaft; w/ Inside Snap Rings	A	2	5-1309X	5-811X	
	Ram 3500	Auto Trans; 1 Piece Driveshaft; w/ Inside & Outside Snap Rings	A	2	5-3227X	5-7437X	
	Ram 3500	Auto Trans; 1 Piece Driveshaft; w/ Outside Snap Rings	A	2	5-160X*	5-1410-1X* 5-1410X**	15-160X
2000-2002	Ram 3500	1 Piece Driveshaft	A	1,2	5-160X*	5-1410-1X* 5-1410X**	15-160X
	Ram 3500	2 Piece Driveshaft	B	1,2,3	5-160X*	5-1410-1X* 5-1410X**	15-160X
2003	Ram 3500	1 Piece Driveshaft; w/ AAM 1415 Series	A	1,2	5-3207X**		
	Ram 3500	1 Piece Driveshaft; w/ Spicer 1410 Series	A	1,2	5-160X*	5-1410-1X* 5-1410X**	15-160X
	Ram 3500	4 Speed; 5 Speed; 2 Piece Driveshaft; w/ Spicer 1410 Series	B	1,2,3	5-160X*	5-1410-1X* 5-1410X**	15-160X
2004-2005	Ram 3500	Crew Cab; Standard Cab; 75.9" Bed; Auto Trans; 1 Piece Driveshaft	A	1,2	5-3207X**		
	Ram 3500	Gas; 2 Piece Driveshaft	B	1,2,3	5-3207X**		
2004-2006	Ram 3500	Diesel; Standard Trans; 2 Piece Driveshaft	B	1,2,3	5-3206X		
2006	Ram 3500	Diesel; Auto Trans; 1 Piece Driveshaft; w/ 1410 Series Driveshaft	A	1,2	5-160X*	5-1410-1X* 5-1410X**	15-160X
	Ram 3500	Gas; 1 Piece Driveshaft; w/ 1410 Series Driveshaft	A	1,2	5-160X*	5-1410-1X* 5-1410X**	15-160X
	Ram 3500	Gas; Standard Trans; 2 Piece Driveshaft	B	1,2,3	5-3207X**		
2007	Ram 3500	Crew Cab; Standard Cab; 1 Piece Driveshaft; w/ AAM 1415 Series	A	1,2	5-3207X**		
	Ram 3500	Crew Cab; Standard Cab; 1 Piece Driveshaft; w/ Spicer Driveshaft	A	1,2	5-3206X		
	Ram 3500	Cab & Chassis; 2 Piece Driveshaft; w/ AAM 1555 Series	S	1,2,3	5-3230X		
	Ram 3500	Crew Cab; Extended Crew Cab; Standard Cab; 2 Piece Driveshaft; w/ AAM 1415 Series	S	1,2,3	5-3207X**		
	Ram 3500	Crew Cab; Extended Crew Cab; Standard Cab; 2 Piece Driveshaft; w/ Spicer Driveshaft	S	1,2,3	5-3206X		
2008	Ram 3500	Crew Cab; Extended Crew Cab; Standard Cab; Diesel; 1 Piece Driveshaft; w/ Spicer Driveshaft	A	1,2	5-3206X		
	Ram 3500	Crew Cab; Extended Crew Cab; Standard Cab; Gas; 1 Piece Driveshaft; w/ AAM 1415 Series	A	1,2	5-3207X**		
	Ram 3500	Cab & Chassis; Auto Trans; Diesel; 2 Piece Driveshaft; w/ AAM 1555 Series	S	1,2,3	5-3206X		
	Ram 3500	Cab & Chassis; Standard Trans; Diesel; 2 Piece Driveshaft; w/ AAM 1555 Series	S	1,2,3	5-3230X		
	Ram 3500	Crew Cab; Extended Crew Cab; Standard Cab; Diesel; 2 Piece Driveshaft; w/ Spicer Driveshaft	S	1,2,3	5-3206X		
	Ram 3500	Crew Cab; Extended Crew Cab; Standard Cab; Gas; 2 Piece Driveshaft; w/ AAM 1415 Series	S	1,2,3	5-3207X**		

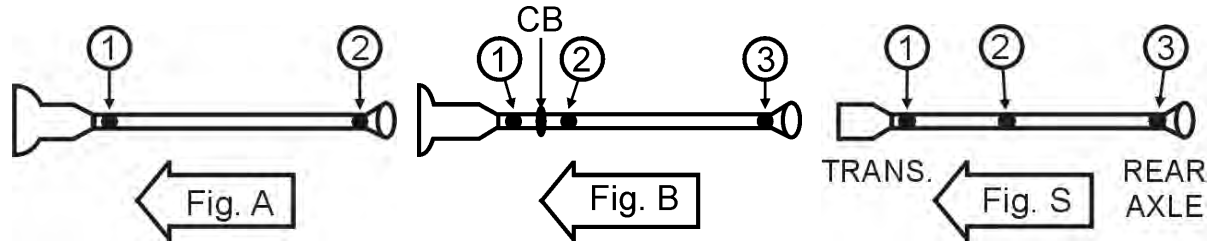
\* GREASEABLE \*\* NON-GREASEABLE

RWD

**Dodge (Cont'd)**

Year	Model	Description	Fig.	Location	Spicer Part #	SPL Part #	SVL Part #
2009	Ram 3500	Laramie; Extended Crew Cab; 2 Piece Driveshaft; w/ Spicer Driveshaft	S	1,2,3	5-160X*	5-1410-1X* 5-1410X**	15-160X
	Ram 3500	Laramie; SLT; ST; Cab & Chassis; 5.7L; 2 Piece Driveshaft; w/ Spicer Driveshaft	S	1,2,3	5-188X*	SPL55-1X* SPL55X**	15-188X
	Ram 3500	Laramie; SLT; ST; SXT; Crew Cab; 2 Piece Driveshaft; w/ AAM 1485 Series	S	1,2,3	5-3206X		
	Ram 3500	SLT; SXT; Extended Crew Cab; Standard Cab; 2 Piece Driveshaft; w/ Spicer Driveshaft	S	1,2,3	5-160X*	5-1410-1X* 5-1410X**	15-160X
	Ram 3500	ST; Standard Cab; 2 Piece Driveshaft; w/ Spicer Driveshaft	S	1,2,3	5-160X*	5-1410-1X* 5-1410X**	15-160X
2009-2010	Ram 3500	Laramie; SLT; ST; SXT; 1 Piece Driveshaft; 1.188" Cup Dia.	A	1,2	5-160X*	5-1410-1X* 5-1410X**	15-160X
	Ram 3500	Laramie; SLT; ST; SXT; 1 Piece Driveshaft; 1.375" Cup Dia.	A	1,2	5-188X*	SPL55-1X* SPL55X**	15-188X
2010	Ram 3500	Crew Cab; 2 Piece Driveshaft; w/ AAM 1485 Series	S	1,2,3	5-3206X		
	Ram 3500	Extended Crew Cab; Standard Cab; 2 Piece Driveshaft; w/ Spicer Driveshaft	S	1,2,3	5-160X*	5-1410-1X* 5-1410X**	15-160X
1999	Ram 3500 Van	1 Piece Driveshaft; w/ Outside Snap Rings; 1.062" Cup Dia.	A	1	5-213X*	5-1330-1X* 5-1330X**	15-213X
	Ram 3500 Van	1 Piece Driveshaft; w/ Inside Snap Rings	A	1,2	5-1309X	5-811X	
	Ram 3500 Van	1 Piece Driveshaft; w/ Outside Snap Rings; 1.188" Cup Dia.	A	1,2	5-160X*	5-1410-1X* 5-1410X**	15-160X
	Ram 3500 Van	1 Piece Driveshaft; w/ Inside & Outside Snap Rings	A	2	5-3227X	5-7437X	
	Ram 3500 Van	2 Piece Driveshaft	B	1	5-3227X	5-7437X	
	Ram 3500 Van	2 Piece Driveshaft	B	2,3	5-213X*	5-1330-1X* 5-1330X**	15-213X
2000	Ram 3500 Van	Base; 1 Piece Driveshaft	A	1,2	5-160X*	5-1410-1X* 5-1410X**	15-160X
2001	Ram 3500 Van	1 Piece Driveshaft	A	1,2	5-160X*	5-1410-1X* 5-1410X**	15-160X
2002-2003	Ram 3500 Van	1 Piece Driveshaft	A	1,2	5-213X*	5-1330-1X* 5-1330X**	15-213X
2008-2010	Ram 4500	Exc. Base; 1 Piece Driveshaft	A	1,2	5-3230X		
	Ram 4500	Exc. Base; 2 Piece Driveshaft	S	1,2,3	5-3206X		
1983-1985	Ram 50	2.3L; 2.6L	B	1,2,3	5-3217X		
1983-1986	Ram 50	2.0L	B	1,2,3	5-1503X		
1986	Ram 50	2.6L	B	1,2,3	5-3217X		
1987-1988	Ram 50	2 Piece Driveshaft	B	1,2,3	5-3217X		
1987-1989	Ram 50	2.0L; 1 Piece Driveshaft	A	1,2	5-1503X		
	Ram 50	2.6L; 1 Piece Driveshaft	A	1,2	5-3217X		
1989	Ram 50	2 Piece Driveshaft	B	1,3	5-3217X		
	Ram 50	Auto Trans; 2 Piece Driveshaft	B	2	5-1503X		
	Ram 50	Standard Trans; 2 Piece Driveshaft	B	2	5-3217X		
1990-1993	Ram 50	Auto Trans; 72.0" Bed; 1 Piece Driveshaft	A	1,2	5-1503X		
	Ram 50	Standard Trans; 72.0" Bed; 1 Piece Driveshaft	A	1,2	5-3217X		
	Ram 50	Auto Trans; 84.0" Bed; 2 Piece Driveshaft	B	1,2,3	5-1503X		
	Ram 50	Standard Trans; 84.0" Bed; 2 Piece Driveshaft	B	1,2,3	5-3217X		
2008-2010	Ram 5500	Exc. Base; 1 Piece Driveshaft	A	1,2	5-3230X		
	Ram 5500	Exc. Base; 2 Piece Driveshaft	S	1,2,3	5-3206X		
1974-1981	Ramcharger	w/ 2.125" Snap Ring	A	1,2	5-3228X	5-789X	
	Ramcharger	w/ 2.625" Snap Ring	A	1,2	5-1309X	5-811X	
1982-1993	Ramcharger		A	1,2	5-3228X	5-789X	
1978-1980	RD200		B	1,2,3	5-3228X	5-789X	

\* GREASEABLE \*\* NON-GREASEABLE



**Ford**

Year	Model	Description	Fig.	Location	Spicer Part #	SPL Part #	SVL Part #
1988	Aerostar	Before 9/87	A	1	5-153X*	5-1310-1X* 5-1310X**	15-153X
	Aerostar	Automatic; Before 9/87	A	2	5-153X*	5-1310-1X* 5-1310X**	15-153X
	Aerostar	Standard; Before 9/87	A	2		5-7439X	
1989	Aerostar		A	1	5-153X*	5-1310-1X* 5-1310X**	15-153X
	Aerostar		A	2		5-7439X	
1990-1995	Aerostar		A	1,2	5-153X*	5-1310-1X* 5-1310X**	15-153X
1996	Aerostar	Steel Driveshaft	A	1,2	5-213X*	5-1330-1X* 5-1330X**	15-213X
1997	Aerostar	Steel Driveshaft; 3.500" O.D. Yoke	A	1,2	5-153X*	5-1310-1X* 5-1310X**	15-153X
	Aerostar	Steel Driveshaft; 3.875" O.D. Yoke	A	1,2	5-213X*	5-1330-1X* 5-1330X**	15-213X
1966	Bronco	2.8L; Bearing I.D. 1.378"	B	CB	211175X		
	Bronco	4.7L; Bearing I.D. 1.378"	B	CB	211175X		
1973	Bronco	3.3L; Bearing I.D. 1.378"	B	CB	211175X		
	Bronco	5.0L; Bearing I.D. 1.378"	B	CB	211175X		
1974-1995	Bronco	Bearing I.D. 1.378"	B	CB	211175X		
1972-1982	Courier	1 Piece Driveshaft	A	1,2	5-3216X		
	Courier	2 Piece Driveshaft	B	1,2,3	5-3216X		
1969-1974	E-100 Econoline	1 Piece Driveshaft	A	1,2	5-153X*	5-1310-1X* 5-1310X**	15-153X
	E-100 Econoline	2 Piece Driveshaft	B	1,2,3	5-153X*	5-1310-1X* 5-1310X**	15-153X
1969-1983	E-100 Econoline	Bearing I.D. 1.378"	B	CB	211175X		
1973-1983	E-100 Econoline	Bearing I.D. 1.574"	B	CB	211359X		
1975	E-100 Econoline	4.9L; 5.0L; 2 Piece Driveshaft	B	1,2	5-153X*	5-1310-1X* 5-1310X**	15-153X
1975-1978	E-100 Econoline	1 Piece Driveshaft	A	1	5-153X*	5-1310-1X* 5-1310X**	15-153X
	E-100 Econoline	124.0" WB; 1 Piece Driveshaft	A	2		5-7439X	
	E-100 Econoline	138.0" WB; 1 Piece Driveshaft	A	2	5-153X*	5-1310-1X* 5-1310X**	15-153X
	E-100 Econoline	5.8L; Auto Trans; 2 Piece Driveshaft	B	1,2	5-213X*	5-1330-1X* 5-1330X**	15-213X
	E-100 Econoline	5.8L; Standard Trans; 2 Piece Driveshaft	B	1,2	5-153X*	5-1310-1X* 5-1310X**	15-153X
	E-100 Econoline	2 Piece Driveshaft	B	3	5-153X*	5-1310-1X* 5-1310X**	15-153X
1976-1977	E-100 Econoline	4.9L; 2 Piece Driveshaft	B	1,2	5-153X*	5-1310-1X* 5-1310X**	15-153X
1978	E-100 Econoline	4.9L; 7.5L; 2 Piece Driveshaft	B	1,2	5-153X*	5-1310-1X* 5-1310X**	15-153X
1979-1983	E-100 Econoline	1 Piece Driveshaft	A	1	5-213X*	5-1330-1X* 5-1330X**	15-213X
	E-100 Econoline	1 Piece Driveshaft	A	2	5-1204X*	5-7438X	15-1204X
	E-100 Econoline	2 Piece Driveshaft	B	1,2	5-213X*	5-1330-1X* 5-1330X**	15-213X
	E-100 Econoline	2 Piece Driveshaft	B	3	5-1204X*	5-7438X	15-1204X

\* GREASEABLE \*\* NON-GREASEABLE

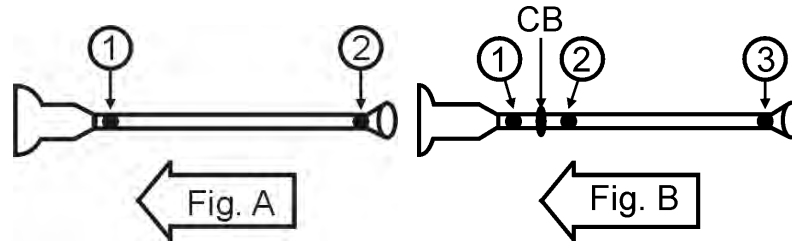
RWD

**Ford (Cont'd)**

Year	Model	Description	Fig.	Location	Spicer Part #	SPL Part #	SVL Part #
1975-1978	E-100 Econoline Club Wagon	1 Piece Driveshaft	A	1	5-153X*	5-1310-1X* 5-1310X**	15-153X
	E-100 Econoline Club Wagon	124.0" WB; 1 Piece Driveshaft	A	2		5-7439X	
	E-100 Econoline Club Wagon	138.0" WB; 1 Piece Driveshaft	A	2	5-153X*	5-1310-1X* 5-1310X**	15-153X
	E-100 Econoline Club Wagon	4.9L; 2 Piece Driveshaft	B	1,2	5-153X*	5-1310-1X* 5-1310X**	15-153X
	E-100 Econoline Club Wagon	5.8L; Auto Trans; 2 Piece Driveshaft	B	1,2	5-213X*	5-1330-1X* 5-1330X**	15-213X
	E-100 Econoline Club Wagon	5.8L; Standard Trans; 2 Piece Driveshaft	B	1,2	5-153X*	5-1310-1X* 5-1310X**	15-153X
	E-100 Econoline Club Wagon	2 Piece Driveshaft	B	3	5-153X*	5-1310-1X* 5-1310X**	15-153X
1975-1983	E-100 Econoline Club Wagon	Bearing I.D. 1.378"	B	CB	211175X		
	E-100 Econoline Club Wagon	Bearing I.D. 1.574"	B	CB	211359X		
1979-1983	E-100 Econoline Club Wagon	1 Piece Driveshaft	A	1	5-213X*	5-1330-1X* 5-1330X**	15-213X
	E-100 Econoline Club Wagon	1 Piece Driveshaft	A	2	5-1204X*	5-7438X	15-1204X
	E-100 Econoline Club Wagon	2 Piece Driveshaft	B	1,2	5-213X*	5-1330-1X* 5-1330X**	15-213X
	E-100 Econoline Club Wagon	2 Piece Driveshaft	B	3	5-1204X*	5-7438X	15-1204X
2003-2014	E-150		A	1,2	5-178X*	5-1350-1X* 5-1350X**	15-178X
2003-2005	E-150 Club Wagon		A	1,2	5-178X*	5-1350-1X* 5-1350X**	15-178X
1975	E-150 Econoline	4.9L; 5.0L; 2 Piece Driveshaft	B	1,2	5-153X*	5-1310-1X* 5-1310X**	15-153X
1975-1978	E-150 Econoline	1 Piece Driveshaft	A	1	5-153X*	5-1310-1X* 5-1310X**	15-153X
	E-150 Econoline	124.0" WB; 1 Piece Driveshaft	A	2		5-7439X	
	E-150 Econoline	138.0" WB; 1 Piece Driveshaft	A	2	5-153X*	5-1310-1X* 5-1310X**	15-153X
	E-150 Econoline	5.8L; Auto Trans; 2 Piece Driveshaft	B	1,2	5-213X*	5-1330-1X* 5-1330X**	15-213X
	E-150 Econoline	5.8L; Standard Trans; 2 Piece Driveshaft	B	1,2	5-153X*	5-1310-1X* 5-1310X**	15-153X
	E-150 Econoline	2 Piece Driveshaft	B	3	5-153X*	5-1310-1X* 5-1310X**	15-153X
1975-1983	E-150 Econoline	Bearing I.D. 1.574"	B	CB	211359X		
1975-1995	E-150 Econoline	Bearing I.D. 1.378"	B	CB	211175X		
1976-1978	E-150 Econoline	4.9L; 2 Piece Driveshaft	B	1,2	5-153X*	5-1310-1X* 5-1310X**	15-153X
1979-1986	E-150 Econoline	1 Piece Driveshaft	A	2	5-1204X*	5-7438X	15-1204X
1979-1988	E-150 Econoline	2 Piece Driveshaft	B	1,2	5-213X*	5-1330-1X* 5-1330X**	15-213X
	E-150 Econoline	2 Piece Driveshaft	B	3	5-1204X*	5-7438X	15-1204X
1987	E-150 Econoline	1 Piece Driveshaft	A	1,2	5-213X*	5-1330-1X* 5-1330X**	15-213X
1988	E-150 Econoline	1 Piece Driveshaft	A	1	5-213X*	5-1330-1X* 5-1330X**	15-213X
	E-150 Econoline	1 Piece Driveshaft; w/ U-Bolts	A	2	5-1204X*	5-7438X	15-1204X
	E-150 Econoline	1 Piece Driveshaft; w/out U-Bolts	A	2	5-213X*	5-1330-1X* 5-1330X**	15-213X
1989-1996	E-150 Econoline		A	1,2	5-213X*	5-1330-1X* 5-1330X**	15-213X
1997-1999	E-150 Econoline	w/ Aluminum Driveshaft	A	1,2		5-3615X	
	E-150 Econoline	w/ Steel Driveshaft	A	1,2	5-178X*	5-1350-1X* 5-1350X**	15-178X

\* GREASEABLE \*\* NON-GREASEABLE





**Ford (Cont'd)**

Year	Model	Description	Fig.	Location	Spicer Part #	SPL Part #	SVL Part #
2000-2002	E-150 Econoline		A	1,2	5-178X*	5-1350-1X* 5-1350X**	15-178X
1975-1978	E-150 Econoline Club Wagon	1 Piece Driveshaft	A	1	5-153X*	5-1310-1X* 5-1310X**	15-153X
	E-150 Econoline Club Wagon	124.0" WB; 1 Piece Driveshaft	A	2		5-7439X	
	E-150 Econoline Club Wagon	138.0" WB; 1 Piece Driveshaft	A	2	5-153X*	5-1310-1X* 5-1310X**	15-153X
	E-150 Econoline Club Wagon	4.9L; 2 Piece Driveshaft	B	1,2	5-153X*	5-1310-1X* 5-1310X**	15-153X
	E-150 Econoline Club Wagon	5.8L; Auto Trans; 2 Piece Driveshaft	B	1,2	5-213X*	5-1330-1X* 5-1330X**	15-213X
	E-150 Econoline Club Wagon	5.8L; Standard Trans; 2 Piece Driveshaft	B	1,2	5-153X*	5-1310-1X* 5-1310X**	15-153X
	E-150 Econoline Club Wagon	2 Piece Driveshaft	B	3	5-153X*	5-1310-1X* 5-1310X**	15-153X
1975-1983	E-150 Econoline Club Wagon	Bearing I.D. 1.574"	B	CB	211359X		
1975-1995	E-150 Econoline Club Wagon	Bearing I.D. 1.378"	B	CB	211175X		
1979-1987	E-150 Econoline Club Wagon	1 Piece Driveshaft	A	1,2	5-213X*	5-1330-1X* 5-1330X**	15-213X
1979-1988	E-150 Econoline Club Wagon	2 Piece Driveshaft	B	1,2	5-213X*	5-1330-1X* 5-1330X**	15-213X
	E-150 Econoline Club Wagon	2 Piece Driveshaft	B	3	5-1204X*	5-7438X	15-1204X
1988	E-150 Econoline Club Wagon	1 Piece Driveshaft	A	1	5-213X*	5-1330-1X* 5-1330X**	15-213X
	E-150 Econoline Club Wagon	1 Piece Driveshaft; w/ U-Bolts	A	2	5-1204X*	5-7438X	15-1204X
	E-150 Econoline Club Wagon	1 Piece Driveshaft; w/out U-Bolts	A	2	5-213X*	5-1330-1X* 5-1330X**	15-213X
1989-1996	E-150 Econoline Club Wagon		A	1,2	5-213X*	5-1330-1X* 5-1330X**	15-213X
1997-1999	E-150 Econoline Club Wagon	w/ Aluminum Driveshaft	A	1,2		5-3615X	
	E-150 Econoline Club Wagon	w/ Steel Driveshaft	A	1,2	5-178X*	5-1350-1X* 5-1350X**	15-178X
2000-2002	E-150 Econoline Club Wagon		A	1,2	5-178X*	5-1350-1X* 5-1350X**	15-178X
	E-150 Econoline Club Wagon	1 Piece Driveshaft	A	1,2	5-178X*	5-1350-1X* 5-1350X**	15-178X
1969-1974	E-200 Econoline	1 Piece Driveshaft	A	1,2	5-153X*	5-1310-1X* 5-1310X**	15-153X
	E-200 Econoline	2 Piece Driveshaft	B	1,2,3	5-153X*	5-1310-1X* 5-1310X**	15-153X
2003-2007	E-250	Bearing I.D. 1.574"	B	CB	211359X		
2003-2014	E-250		A	1,2	5-178X*	5-1350-1X* 5-1350X**	15-178X
1975-1978	E-250 Econoline	1 Piece Driveshaft	A	1,2	5-213X*	5-1330-1X* 5-1330X**	15-213X
	E-250 Econoline	2 Piece Driveshaft	B	1,2,3	5-213X*	5-1330-1X* 5-1330X**	15-213X

\* GREASEABLE \*\* NON-GREASEABLE

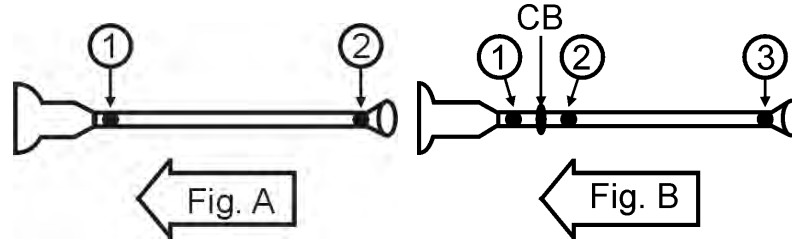
R  
W  
D

**Ford (Cont'd)**

Year	Model	Description	Fig.	Location	Spicer Part #	SPL Part #	SVL Part #
1979	E-250 Econoline	2 Piece Driveshaft; 1.062" Cup Dia.	B	1,2	5-213X*	5-1330-1X* 5-1330X**	15-213X
	E-250 Econoline	2 Piece Driveshaft; 1.188" Cup Dia.	B	1,2,3	5-178X*	5-1350-1X* 5-1350X**	15-178X
	E-250 Econoline	2 Piece Driveshaft; 1.062" Cup Dia.	B	3	5-1204X*	5-7438X	15-1204X
1979-1986	E-250 Econoline	1 Piece Driveshaft	A	2	5-1204X*	5-7438X	15-1204X
1980-1986	E-250 Econoline	2 Piece Driveshaft	B	3	5-1204X*	5-7438X	15-1204X
1984	E-250 Econoline	Auto Trans; 2 Piece Driveshaft	B	1	5-213X*	5-1330-1X* 5-1330X**	15-213X
	E-250 Econoline	Standard Trans; 2 Piece Driveshaft	B	1	5-1204X*	5-7438X	15-1204X
	E-250 Econoline	2 Piece Driveshaft	B	2	5-213X*	5-1330-1X* 5-1330X**	15-213X
1985-1986	E-250 Econoline	2 Piece Driveshaft	B	1,2	5-213X*	5-1330-1X* 5-1330X**	15-213X
1987-1988	E-250 Econoline		A	2	5-1204X*	5-7438X	15-1204X
1989	E-250 Econoline	w/ U-Bolts	A	2	5-213X*	5-1330-1X* 5-1330X**	15-213X
	E-250 Econoline	w/o U-Bolts	A	2	5-1204X*	5-7438X	15-1204X
1990	E-250 Econoline	4.9L; 3 Speed; 1 Piece Driveshaft; w/ 3.73 Rear Axle	A	2	5-1204X*	5-7438X	15-1204X
	E-250 Econoline	4.9L; 3 Speed; 1 Piece Driveshaft; w/ 4.10 Rear Axle	A	2	5-213X*	5-1330-1X* 5-1330X**	15-213X
	E-250 Econoline	4.9L; 4 Speed; 1 Piece Driveshaft	A	2	5-1204X*	5-7438X	15-1204X
	E-250 Econoline	5.0L; 1 Piece Driveshaft	A	2	5-1204X*	5-7438X	15-1204X
	E-250 Econoline	5.8L; 3 Speed; 1 Piece Driveshaft; w/ 3.54 Rear Axle	A	2	5-1204X*	5-7438X	15-1204X
	E-250 Econoline	5.8L; 4 Speed; 1 Piece Driveshaft; w/ 4.10 Rear Axle	A	2	5-1204X*	5-7438X	15-1204X
	E-250 Econoline		A	2	5-1204X*	5-7438X	15-1204X
1990-1991	E-250 Econoline	1 Piece Driveshaft	A	1	5-213X*	5-1330-1X* 5-1330X**	15-213X
	E-250 Econoline	5.8L; 3 Speed; 1 Piece Driveshaft; w/ 4.10 Rear Axle	A	2	5-213X*	5-1330-1X* 5-1330X**	15-213X
	E-250 Econoline	5.8L; 4 Speed; 2 Piece Driveshaft; w/ 4.10 Rear Axle	B	1,2	5-213X*	5-1330-1X* 5-1330X**	15-213X
	E-250 Econoline	5.8L; 4 Speed; 2 Piece Driveshaft; w/ 4.10 Rear Axle	B	3	5-1204X*	5-7438X	15-1204X
1991	E-250 Econoline	4.9L; 5.0L; 1 Piece Driveshaft	A	2	5-1204X*	5-7438X	15-1204X
	E-250 Econoline	5.8L; 3 Speed; 4 Speed; 1 Piece Driveshaft; w/ 3.54 Rear Axle	A	2	5-1204X*	5-7438X	15-1204X
1992-1996	E-250 Econoline		A	1	5-213X*	5-1330-1X* 5-1330X**	15-213X
	E-250 Econoline	w/ U-Bolts	A	2	5-1204X*	5-7438X	15-1204X
	E-250 Econoline	w/o U-Bolts	A	2	5-213X*	5-1330-1X* 5-1330X**	15-213X
1997-2002	E-250 Econoline		A	1,2	5-178X*	5-1350-1X* 5-1350X**	15-178X
1999-2000	E-250 Econoline	Bearing I.D. 1.378"	B	CB	211175X		
1999-2002	E-250 Econoline	Bearing I.D. 1.574"	B	CB	211359X		
1975-1978	E-250 Econoline Club Wagon	1 Piece Driveshaft	A	1,2	5-213X*	5-1330-1X* 5-1330X**	15-213X
	E-250 Econoline Club Wagon	2 Piece Driveshaft	B	1,2,3	5-213X*	5-1330-1X* 5-1330X**	15-213X
1975-1991	E-250 Econoline Club Wagon	Bearing I.D. 1.574"	B	CB	211359X		
1979	E-250 Econoline Club Wagon	2 Piece Driveshaft; 1.062" Cup Dia.	B	1,2	5-213X*	5-1330-1X* 5-1330X**	15-213X
	E-250 Econoline Club Wagon	2 Piece Driveshaft; 1.188" Cup Dia.	B	1,2,3	5-178X*	5-1350-1X* 5-1350X**	15-178X
	E-250 Econoline Club Wagon	2 Piece Driveshaft; 1.062" Cup Dia.	B	3	5-1204X*	5-7438X	15-1204X
1979-1986	E-250 Econoline Club Wagon	1 Piece Driveshaft	A	2	5-1204X*	5-7438X	15-1204X

\* GREASEABLE \*\* NON-GREASEABLE

R  
W  
D



**Ford (Cont'd)**

Year	Model	Description	Fig.	Location	Spicer Part #	SPL Part #	SVL Part #
1980-1986	E-250 Econoline Club Wagon	2 Piece Driveshaft	B	3	5-1204X*	5-7438X	15-1204X
1980-1991	E-250 Econoline Club Wagon	Bearing I.D. 1.378"	B	CB	211175X		
1984	E-250 Econoline Club Wagon	Auto Trans; 2 Piece Driveshaft	B	1	5-213X*	5-1330-1X* 5-1330X**	15-213X
	E-250 Econoline Club Wagon	Standard Trans; 2 Piece Driveshaft	B	1	5-1204X*	5-7438X	15-1204X
	E-250 Econoline Club Wagon	2 Piece Driveshaft	B	2	5-213X*	5-1330-1X* 5-1330X**	15-213X
1985-1986	E-250 Econoline Club Wagon	2 Piece Driveshaft	B	1,2	5-213X*	5-1330-1X* 5-1330X**	15-213X
1987-1988	E-250 Econoline Club Wagon		A	2	5-1204X*	5-7438X	15-1204X
1987-1989	E-250 Econoline Club Wagon		A	1	5-213X*	5-1330-1X* 5-1330X**	15-213X
1989	E-250 Econoline Club Wagon	w/ U-Bolts	A	2	5-213X*	5-1330-1X* 5-1330X**	15-213X
	E-250 Econoline Club Wagon	w/o U-Bolts	A	2	5-1204X*	5-7438X	15-1204X
1990	E-250 Econoline Club Wagon	4.9L; 3 Speed; 1 Piece Driveshaft; w/ 3.73 Rear Axle	A	2	5-1204X*	5-7438X	15-1204X
	E-250 Econoline Club Wagon	4.9L; 3 Speed; 1 Piece Driveshaft; w/ 4.10 Rear Axle	A	2	5-213X*	5-1330-1X* 5-1330X**	15-213X
	E-250 Econoline Club Wagon	4.9L; 4 Speed; 1 Piece Driveshaft	A	2	5-1204X*	5-7438X	15-1204X
	E-250 Econoline Club Wagon	5.8L; 3 Speed; 1 Piece Driveshaft; w/ 3.54 Rear Axle	A	2	5-1204X*	5-7438X	15-1204X
	E-250 Econoline Club Wagon	5.8L; 4 Speed; 1 Piece Driveshaft; w/ 4.10 Rear Axle	A	2	5-1204X*	5-7438X	15-1204X
	E-250 Econoline Club Wagon	7.3L; 7.5L; 1 Piece Driveshaft	A	2	5-1204X*	5-7438X	15-1204X
1990-1991	E-250 Econoline Club Wagon	1 Piece Driveshaft	A	1	5-213X*	5-1330-1X* 5-1330X**	15-213X
	E-250 Econoline Club Wagon	5.8L; 3 Speed; 1 Piece Driveshaft; w/ 4.10 Rear Axle	A	2	5-213X*	5-1330-1X* 5-1330X**	15-213X
	E-250 Econoline Club Wagon	5.8L; 4 Speed; 2 Piece Driveshaft; w/ 4.10 Rear Axle	B	1,2	5-213X*	5-1330-1X* 5-1330X**	15-213X
	E-250 Econoline Club Wagon	5.8L; 4 Speed; 2 Piece Driveshaft; w/ 4.10 Rear Axle	B	3	5-1204X*	5-7438X	15-1204X
1991	E-250 Econoline Club Wagon	4.9L; 7.3L; 7.5L; 1 Piece Driveshaft	A	2	5-1204X*	5-7438X	15-1204X
	E-250 Econoline Club Wagon	5.8L; 3 Speed; 4 Speed; 1 Piece Driveshaft; w/ 3.54 Rear Axle	A	2	5-1204X*	5-7438X	15-1204X
1969-1974	E-300 Econoline	1 Piece Driveshaft; 1.062" Cup Dia.	A	1,2	5-153X*	5-1310-1X* 5-1310X**	15-153X
	E-300 Econoline	1 Piece Driveshaft; 1.188" Cup Dia.	A	1,2	5-178X*	5-1350-1X* 5-1350X**	15-178X
	E-300 Econoline	2 Piece Driveshaft; 1.062" Cup Dia.	B	1,2,3	5-153X*	5-1310-1X* 5-1310X**	15-153X
	E-300 Econoline	2 Piece Driveshaft; 1.188" Cup Dia.	B	1,2,3	5-178X*	5-1350-1X* 5-1350X**	15-178X
	E-300 Econoline	Bearing I.D. 1.378"	B	CB	211175X		
1973-1974	E-300 Econoline	Bearing I.D. 1.574"	B	CB	211359X		

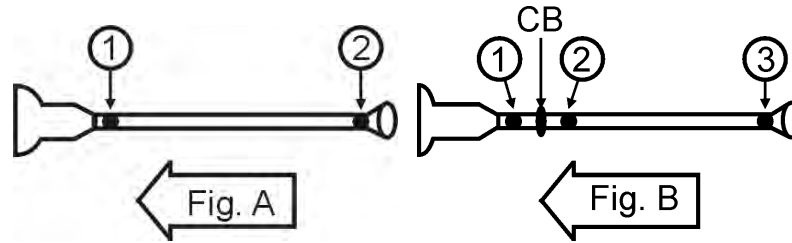
\* GREASEABLE \*\* NON-GREASEABLE

R  
W  
D

**Ford (Cont'd)**

Year	Model	Description	Fig.	Location	Spicer Part #	SPL Part #	SVL Part #
2003	E-350 Club Wagon	1 Piece Driveshaft	A	1,2	5-178X*	5-1350-1X* 5-1350X**	15-178X
	E-350 Club Wagon	2 Piece Driveshaft	B	1,2,3	5-178X*	5-1350-1X* 5-1350X**	15-178X
2004-2005	E-350 Club Wagon	V8 5.4L; 1 Piece Driveshaft	A	1,2	5-178X*	5-1350-1X* 5-1350X**	15-178X
	E-350 Club Wagon	V8 6.0L; 1 Piece Driveshaft	A	1,2	5-160X*	5-1410-1X* 5-1410X**	15-160X
2005	E-350 Club Wagon	V10 6.8L; 1 Piece Driveshaft	A	1,2	5-178X*	5-1350-1X* 5-1350X**	15-178X
	E-350 Club Wagon	V10 6.8L; 2 Piece Driveshaft	B	1,3	5-160X*	5-1410-1X* 5-1410X**	15-160X
	E-350 Club Wagon	V8 5.4L; 2 Piece Driveshaft	B	1,3	5-160X*	5-1410-1X* 5-1410X**	15-160X
	E-350 Club Wagon	V8 6.0L; 2 Piece Driveshaft	B	1,3	5-160X*	5-1410-1X* 5-1410X**	15-160X
	E-350 Club Wagon	2 Piece Driveshaft	B	2	5-160X*	5-1410-1X* 5-1410X**	15-160X
	E-350 Club Wagon	Bearing I.D. 1.574"	B	CB	211359X		
1975-1978	E-350 Econoline	1 Piece Driveshaft	A	1,2	5-213X*	5-1330-1X* 5-1330X**	15-213X
	E-350 Econoline	2 Piece Driveshaft	B	1,2,3	5-213X*	5-1330-1X* 5-1330X**	15-213X
1975-1983	E-350 Econoline	Bearing I.D. 1.574"	B	CB	211359X		
1975-1995	E-350 Econoline	Bearing I.D. 1.378"	B	CB	211175X		
1979	E-350 Econoline	2 Piece Driveshaft; 1.062" Cup Dia.	B	1,2	5-213X*	5-1330-1X* 5-1330X**	15-213X
	E-350 Econoline	2 Piece Driveshaft; 1.188" Cup Dia.	B	1,2,3	5-178X*	5-1350-1X* 5-1350X**	15-178X
	E-350 Econoline	2 Piece Driveshaft; 1.062" & 1.125" Cup Dia.	B	3	5-1204X*	5-7438X	15-1204X
1979-1988	E-350 Econoline	1 Piece Driveshaft	A	2	5-1204X*	5-7438X	15-1204X
1979-1989	E-350 Econoline	1 Piece Driveshaft	A	1	5-213X*	5-1330-1X* 5-1330X**	15-213X
	E-350 Econoline	2 Piece Driveshaft	B	3	5-1204X*	5-7438X	15-1204X
1980-1989	E-350 Econoline	2 Piece Driveshaft	B	3	5-1204X*	5-7438X	15-1204X
	E-350 Econoline	Auto Trans; 2 Piece Driveshaft	B	1	5-213X*	5-1330-1X* 5-1330X**	15-213X
1984-1986	E-350 Econoline	Standard Trans; 2 Piece Driveshaft	B	1	5-1204X*	5-7438X	15-1204X
	E-350 Econoline	2 Piece Driveshaft	B	2	5-213X*	5-1330-1X* 5-1330X**	15-213X
1984-1988	E-350 Econoline	2 Piece Driveshaft	B	2	5-213X*	5-1330-1X* 5-1330X**	15-213X
1987-1988	E-350 Econoline	2 Piece Driveshaft	B	1	5-1204X*	5-7438X	15-1204X
1989	E-350 Econoline	1 Piece Driveshaft; w/ U-Bolts	A	2	5-1204X*	5-7438X	15-1204X
	E-350 Econoline	1 Piece Driveshaft; w/o U-Bolts	A	2	5-213X*	5-1330-1X* 5-1330X**	15-213X
	E-350 Econoline	2 Piece Driveshaft	B	1,2	5-213X*	5-1330-1X* 5-1330X**	15-213X
1990	E-350 Econoline	138.0" WB; 4-Speed; 1 Piece Driveshaft	A	1	5-213X*	5-1330-1X* 5-1330X**	15-213X
	E-350 Econoline	138.0" WB; 3-Speed; 1 Piece Driveshaft	A	1,2	5-213X*	5-1330-1X* 5-1330X**	15-213X
	E-350 Econoline	158.0" WB; 4-Speed; 2 Piece Driveshaft	B	1,2	5-213X*	5-1330-1X* 5-1330X**	15-213X
	E-350 Econoline	176.0" WB; 2 Piece Driveshaft	B	1,2	5-213X*	5-1330-1X* 5-1330X**	15-213X
	E-350 Econoline	158.0" WB; 4-Speed; 2 Piece Driveshaft	B	3	5-1204X*	5-7438X	15-1204X
1991	E-350 Econoline	176.0" WB; 2 Piece Driveshaft	B	3	5-1204X*	5-7438X	15-1204X
	E-350 Econoline	138.0" WB; 4.9L; 1 Piece Driveshaft	A	2	5-213X*	5-1330-1X* 5-1330X**	15-213X
1991-1992	E-350 Econoline	138.0" WB; 5.8L; 7.3L; 7.5L; 1 Piece Driveshaft	A	2	5-1204X*	5-7438X	15-1204X
	E-350 Econoline	138.0" WB; 1 Piece Driveshaft	A	1	5-213X*	5-1330-1X* 5-1330X**	15-213X
	E-350 Econoline	158.0" WB; 176.0" WB; 2 Piece Driveshaft	B	1,2	5-213X*	5-1330-1X* 5-1330X**	15-213X

\* GREASEABLE \*\* NON-GREASEABLE



**Ford (Cont'd)**

Year	Model	Description	Fig.	Location	Spicer Part #	SPL Part #	SVL Part #
1991-1992	E-350 Econoline	158.0" WB; 176.0" WB; 2 Piece Driveshaft	B	3	5-1204X*	5-7438X	15-1204X
1992	E-350 Econoline	138.0" WB; 3-Speed; 1 Piece Driveshaft	A	2	5-213X*	5-1330-1X* 5-1330X**	15-213X
1993-1994	E-350 Econoline	138.0" WB; 4-Speed; 1 Piece Driveshaft	A	2	5-1204X*	5-7438X	15-1204X
	E-350 Econoline	5.8L; 7.3L; 1 Piece Driveshaft	A	1	5-213X*	5-1330-1X* 5-1330X**	15-213X
	E-350 Econoline	7.5L; 1 Piece Driveshaft	A	1,2	5-178X*	5-1350-1X* 5-1350X**	15-178X
	E-350 Econoline	5.8L; 7.3L; 1 Piece Driveshaft	A	2	5-1204X*	5-7438X	15-1204X
	E-350 Econoline	5.8L; 7.3L; 2 Piece Driveshaft	B	1,2	5-213X*	5-1330-1X* 5-1330X**	15-213X
	E-350 Econoline	7.5L; 2 Piece Driveshaft	B	1,2,3	5-178X*	5-1350-1X* 5-1350X**	15-178X
	E-350 Econoline	5.8L; 7.3L; 2 Piece Driveshaft	B	3	5-1204X*	5-7438X	15-1204X
1993-1996	E-350 Econoline	4.9L; 138.0" WB; 1 Piece Driveshaft	A	1,2	5-213X*	5-1330-1X* 5-1330X**	15-213X
	E-350 Econoline	4.9L; 158.0" WB; 176.0" WB; 2 Piece Driveshaft	B	1,2	5-213X*	5-1330-1X* 5-1330X**	15-213X
	E-350 Econoline	4.9L; 158.0" WB; 176.0" WB; 2 Piece Driveshaft	B	3	5-1204X*	5-7438X	15-1204X
1995-1996	E-350 Econoline	5.8L; 1 Piece Driveshaft; 1.062" Cup Dia.	A	1	5-213X*	5-1330-1X* 5-1330X**	15-213X
	E-350 Econoline	5.8L; 1 Piece Driveshaft; 1.188" Cup Dia.	A	1,2	5-178X*	5-1350-1X* 5-1350X**	15-178X
	E-350 Econoline	7.3L; 7.5L; 1 Piece Driveshaft	A	1,2	5-178X*	5-1350-1X* 5-1350X**	15-178X
	E-350 Econoline	5.8L; 1 Piece Driveshaft; 1.062" & 1.125" Cup Dia.	A	2	5-1204X*	5-7438X	15-1204X
	E-350 Econoline	5.8L; 2 Piece Driveshaft; 1.062" Cup Dia.	B	1,2	5-213X*	5-1330-1X* 5-1330X**	15-213X
	E-350 Econoline	5.8L; 2 Piece Driveshaft; 1.188" Cup Dia.	B	1,2,3	5-178X*	5-1350-1X* 5-1350X**	15-178X
	E-350 Econoline	7.3L; 7.5L; 2 Piece Driveshaft	B	1,2,3	5-178X*	5-1350-1X* 5-1350X**	15-178X
	E-350 Econoline	5.8L; 2 Piece Driveshaft; 1.062" & 1.125" Cup Dia.	B	3	5-1204X*	5-7438X	15-1204X
1997-1998	E-350 Econoline	138.0" WB; 1 Piece Driveshaft	A	1,2	5-178X*	5-1350-1X* 5-1350X**	15-178X
	E-350 Econoline	158.0" WB; 176.0" WB; 2 Piece Driveshaft	B	1,2,3	5-178X*	5-1350-1X* 5-1350X**	15-178X
1977-1978	E-350 Econoline Club Wagon	1 Piece Driveshaft	A	1,2	5-213X*	5-1330-1X* 5-1330X**	15-213X
	E-350 Econoline Club Wagon	2 Piece Driveshaft	B	1,2,3	5-213X*	5-1330-1X* 5-1330X**	15-213X
1977-1983	E-350 Econoline Club Wagon	Bearing I.D. 1.574"	B	CB	211359X		
1979	E-350 Econoline Club Wagon	2 Piece Driveshaft	B	1	5-213X*	5-1330-1X* 5-1330X**	15-213X
	E-350 Econoline Club Wagon	2 Piece Driveshaft; 1.062" Cup Dia.	B	2	5-213X*	5-1330-1X* 5-1330X**	15-213X
	E-350 Econoline Club Wagon	2 Piece Driveshaft; 1.188" Cup Dia.	B	2,3	5-178X*	5-1350-1X* 5-1350X**	15-178X

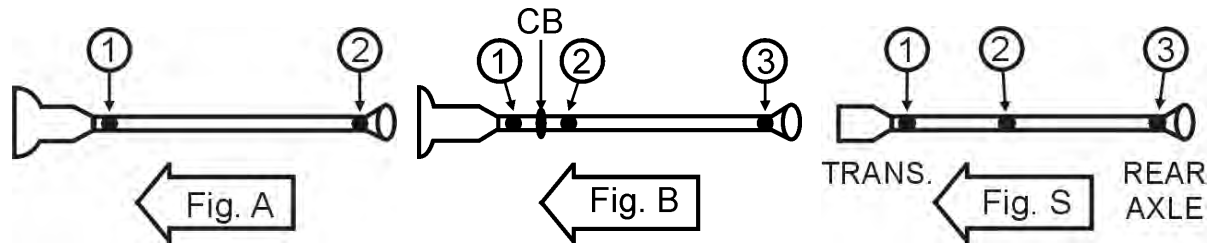
\* GREASEABLE \*\* NON-GREASEABLE

RWD

**Ford (Cont'd)**

Year	Model	Description	Fig.	Location	Spicer Part #	SPL Part #	SVL Part #
1979	E-350 Econoline Club Wagon	2 Piece Driveshaft; 1.062" & 1.125" Cup Dia.	B	3	5-1204X*	5-7438X	15-1204X
1979-1988	E-350 Econoline Club Wagon	1 Piece Driveshaft	A	2	5-1204X*	5-7438X	15-1204X
1979-1989	E-350 Econoline Club Wagon	1 Piece Driveshaft	A	1	5-213X*	5-1330-1X* 5-1330X**	15-213X
1980-1989	E-350 Econoline Club Wagon	2 Piece Driveshaft	B	3	5-1204X*	5-7438X	15-1204X
1984	E-350 Econoline Club Wagon	Auto Trans; 2 Piece Driveshaft	B	1	5-213X*	5-1330-1X* 5-1330X**	15-213X
	E-350 Econoline Club Wagon	Standard Trans; 2 Piece Driveshaft	B	1	5-1204X*	5-7438X	15-1204X
1987-1988	E-350 Econoline Club Wagon	2 Piece Driveshaft	B	1	5-1204X*	5-7438X	15-1204X
	E-350 Econoline Club Wagon	2 Piece Driveshaft	B	2	5-213X*	5-1330-1X* 5-1330X**	15-213X
1989	E-350 Econoline Club Wagon	1 Piece Driveshaft; w/ U-Bolts	A	2	5-1204X*	5-7438X	15-1204X
	E-350 Econoline Club Wagon	1 Piece Driveshaft; w/o U-Bolts	A	2	5-213X*	5-1330-1X* 5-1330X**	15-213X
	E-350 Econoline Club Wagon	2 Piece Driveshaft	B	1,2	5-213X*	5-1330-1X* 5-1330X**	15-213X
1990-1996	E-350 Econoline Club Wagon	4-Speed	A	1	5-213X*	5-1330-1X* 5-1330X**	15-213X
	E-350 Econoline Club Wagon	3-Speed	A	1,2	5-213X*	5-1330-1X* 5-1330X**	15-213X
	E-350 Econoline Club Wagon	4-Speed	A	2	5-1204X*	5-7438X	15-1204X
1997-1999	E-350 Econoline Club Wagon		A	1,2	5-178X*	5-1350-1X* 5-1350X**	15-178X
1999-2002	E-350 Econoline Club Wagon	Bearing I.D. 1.378"	B	CB	211175X		
2000	E-350 Econoline Club Wagon	Exc. CNG; 1 Piece Driveshaft	A	1,2	5-178X*	5-1350-1X* 5-1350X**	15-178X
	E-350 Econoline Club Wagon	Exc. CNG; 2 Piece Driveshaft	B	1,2,3	5-178X*	5-1350-1X* 5-1350X**	15-178X
2001-2002	E-350 Econoline Club Wagon	1 Piece Driveshaft	A	1,2	5-178X*	5-1350-1X* 5-1350X**	15-178X
	E-350 Econoline Club Wagon	2 Piece Driveshaft	B	1,2,3	5-178X*	5-1350-1X* 5-1350X**	15-178X
1999	E-350 Super Duty	138.0" WB; 1 Piece Driveshaft	A	1,2	5-178X*	5-1350-1X* 5-1350X**	15-178X
	E-350 Super Duty	158.0" WB; 176.0" WB; 2 Piece Driveshaft	S	1,2,3	5-178X*	5-1350-1X* 5-1350X**	15-178X
1999-2002	E-350 Super Duty	Bearing I.D. 1.378"	B	CB	211175X		
2000-2003	E-350 Super Duty	Exc. CNG; 1 Piece Driveshaft	A	1,2	5-178X*	5-1350-1X* 5-1350X**	15-178X
	E-350 Super Duty	Exc. CNG; 2 Piece Driveshaft	S	1,2,3	5-178X*	5-1350-1X* 5-1350X**	15-178X
2004	E-350 Super Duty	V10 6.8L; 4 Speed; 1 Piece Driveshaft	A	1,2	5-178X*	5-1350-1X* 5-1350X**	15-178X
	E-350 Super Duty	V10 6.8L; 5 Speed; 1 Piece Driveshaft	A	1,2	5-160X*	5-1410-1X* 5-1410X**	15-160X
	E-350 Super Duty	V8 5.4L; Gas; 1 Piece Driveshaft	A	1,2	5-178X*	5-1350-1X* 5-1350X**	15-178X
	E-350 Super Duty	V10 6.8L; 2 Piece Driveshaft	S	1,2,3	5-178X*	5-1350-1X* 5-1350X**	15-178X
2004-2008	E-350 Super Duty	V8 6.0L; 1 Piece Driveshaft	A	1,2	5-160X*	5-1410-1X* 5-1410X**	15-160X
2005-2008	E-350 Super Duty	V10 6.8L; 2 Piece Driveshaft	S	1,2,3	5-160X*	5-1410-1X* 5-1410X**	15-160X
	E-350 Super Duty	V8 5.4L; 2 Piece Driveshaft	S	1,2,3	5-160X*	5-1410-1X* 5-1410X**	15-160X
	E-350 Super Duty	V8 6.0L; 2 Piece Driveshaft	S	1,2,3	5-160X*	5-1410-1X* 5-1410X**	15-160X

\* GREASEABLE \*\* NON-GREASEABLE



**Ford (Cont'd)**

Year	Model	Description	Fig.	Location	Spicer Part #	SPL Part #	SVL Part #
2005-2011	E-350 Super Duty	Bearing I.D. 1.574"	B	CB	211359X		
2009	E-350 Super Duty	V10 6.8L; Base; 1 Piece Driveshaft	A	1,2	5-178X*	5-1350-1X* 5-1350X**	15-178X
	E-350 Super Duty	V8 5.4L; Base; 1 Piece Driveshaft	A	1,2	5-178X*	5-1350-1X* 5-1350X**	15-178X
	E-350 Super Duty	V8 5.4L; XL; 1 Piece Driveshaft	A	1,2	5-178X*	5-1350-1X* 5-1350X**	15-178X
	E-350 Super Duty	V8 5.4L; XLT; 1 Piece Driveshaft	A	1,2	5-178X*	5-1350-1X* 5-1350X**	15-178X
2009-2010	E-350 Super Duty	V8 6.0L; Base; 1 Piece Driveshaft	A	1,2	5-160X*	5-1410-1X* 5-1410X**	15-160X
	E-350 Super Duty	V8 6.0L; XLT; 1 Piece Driveshaft	A	1,2	5-160X*	5-1410-1X* 5-1410X**	15-160X
	E-350 Super Duty	V8 5.4L; Base; 2 Piece Driveshaft	S	1,2,3	5-160X*	5-1410-1X* 5-1410X**	15-160X
	E-350 Super Duty	V8 6.0L; Base; 2 Piece Driveshaft	S	1,2,3	5-160X*	5-1410-1X* 5-1410X**	15-160X
2009-2014	E-350 Super Duty	V10 6.8L; XL; 1 Piece Driveshaft	A	1,2	5-160X*	5-1410-1X* 5-1410X**	15-160X
	E-350 Super Duty	V10 6.8L; Base; 2 Piece Driveshaft	S	1,2,3	5-160X*	5-1410-1X* 5-1410X**	15-160X
2010	E-350 Super Duty	V10 6.8L; Base; 1 Piece Driveshaft	A	1,2	5-160X* 5-178X*	5-1350-1X* 5-1350X** 5-1410-1X* 5-1410X**	15-160X 15-178X
	E-350 Super Duty	V8 5.4L; Base; 1 Piece Driveshaft	A	1,2	5-160X* 5-178X*	5-1350-1X* 5-1350X** 5-1410-1X* 5-1410X**	15-160X 15-178X
	E-350 Super Duty	V8 5.4L; XL; 1 Piece Driveshaft	A	1,2	5-160X* 5-178X*	5-1350-1X* 5-1350X** 5-1410-1X* 5-1410X**	15-160X 15-178X
	E-350 Super Duty	V8 5.4L; XLT; 1 Piece Driveshaft	A	1,2	5-160X*	5-1410-1X* 5-1410X**	15-160X
	E-350 Super Duty	V8 6.0L; XL; 1 Piece Driveshaft	A	1,2	5-160X*	5-1410-1X* 5-1410X**	15-160X
	E-350 Super Duty	V8 5.4L; XL; 2 Piece Driveshaft	S	1,2,3	5-160X*	5-1410-1X* 5-1410X**	15-160X
2010-2014	E-350 Super Duty	V10 6.8L; XLT; 1 Piece Driveshaft	A	1,2	5-160X*	5-1410-1X* 5-1410X**	15-160X
2011-2014	E-350 Super Duty	V10 6.8L; Base; 1 Piece Driveshaft	A	1,2	5-160X*	5-1410-1X* 5-1410X**	15-160X
	E-350 Super Duty	V8 5.4L; Base; 1 Piece Driveshaft	A	1,2	5-178X*	5-1350-1X* 5-1350X**	15-178X
	E-350 Super Duty	V8 5.4L; XL; 1 Piece Driveshaft	A	1,2	5-178X*	5-1350-1X* 5-1350X**	15-178X
	E-350 Super Duty	V8 5.4L; XLT; 1 Piece Driveshaft	A	1,2	5-178X*	5-1350-1X* 5-1350X**	15-178X
	E-350 Super Duty	V8 5.4L; Base; 2 Piece Driveshaft	S	1	5-178X*	5-1350-1X* 5-1350X**	15-178X
	E-350 Super Duty	V8 5.4L; XL; 2 Piece Driveshaft	S	1	5-178X*	5-1350-1X* 5-1350X**	15-178X

\* GREASEABLE \*\* NON-GREASEABLE

RWD

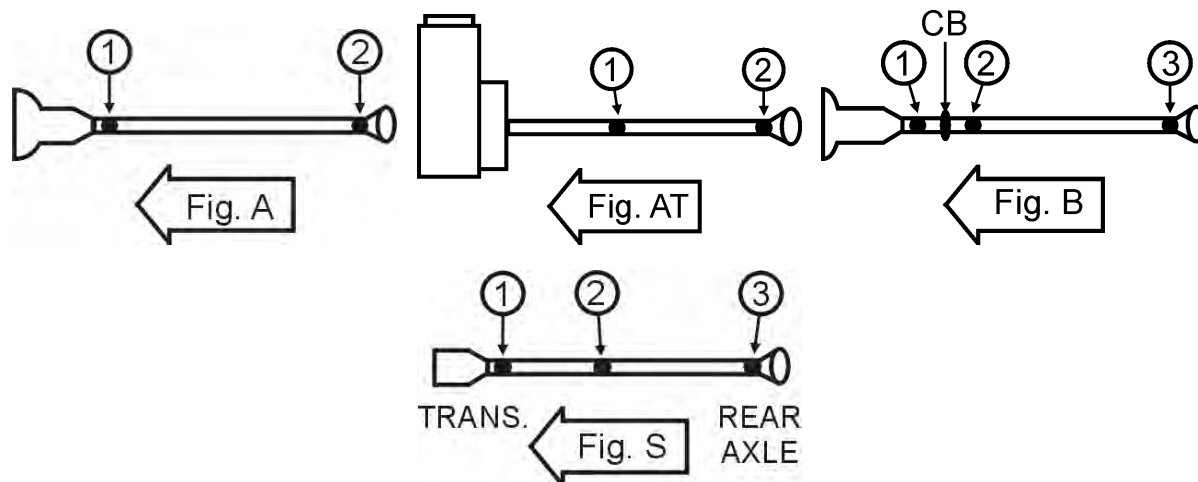
**Ford (Cont'd)**

Year	Model	Description	Fig.	Location	Spicer Part #	SPL Part #	SVL Part #
2011-2014	E-350 Super Duty	V8 5.4L; XLT; 2 Piece Driveshaft	S	1	5-178X*	5-1350-1X* 5-1350X**	15-178X
	E-350 Super Duty	V10 6.8L; XL; 2 Piece Driveshaft	S	1,2,3	5-160X*	5-1410-1X* 5-1410X**	15-160X
	E-350 Super Duty	V10 6.8L; XLT; 2 Piece Driveshaft	S	1,2,3	5-160X*	5-1410-1X* 5-1410X**	15-160X
	E-350 Super Duty	V8 5.4L; Base; 2 Piece Driveshaft	S	2,3	5-160X*	5-1410-1X* 5-1410X**	15-160X
	E-350 Super Duty	V8 5.4L; XL; 2 Piece Driveshaft	S	2,3	5-160X*	5-1410-1X* 5-1410X**	15-160X
	E-350 Super Duty	V8 5.4L; XLT; 2 Piece Driveshaft	S	2,3	5-160X*	5-1410-1X* 5-1410X**	15-160X
2015-2016	E-350 Super Duty	V10 6.8L; 1 Piece Driveshaft	A	1,2	5-178X*	5-1350-1X* 5-1350X**	15-178X
	E-350 Super Duty	V8 5.4L; 1 Piece Driveshaft	A	1,2	5-178X*	5-1350-1X* 5-1350X**	15-178X
	E-350 Super Duty	V10 6.8L; 2 Piece Driveshaft	S	1	5-178X*	5-1350-1X* 5-1350X**	15-178X
	E-350 Super Duty	V8 5.4L; 2 Piece Driveshaft	S	1	5-178X*	5-1350-1X* 5-1350X**	15-178X
	E-350 Super Duty	V10 6.8L; 2 Piece Driveshaft	S	2,3	5-160X*	5-1410-1X* 5-1410X**	15-160X
	E-350 Super Duty	V8 5.4L; 2 Piece Driveshaft	S	2,3	5-160X*	5-1410-1X* 5-1410X**	15-160X
2017	E-350 Super Duty	1 Piece Driveshaft	A	1,2	5-178X*	5-1350-1X* 5-1350X**	15-178X
	E-350 Super Duty	2 Piece Driveshaft	S	1	5-178X*	5-1350-1X* 5-1350X**	15-178X
	E-350 Super Duty	2 Piece Driveshaft	S	2,3	5-160X*	5-1410-1X* 5-1410X**	15-160X
1999	E-450 Econoline Super Duty	1 Piece Driveshaft	A	1,2	5-160X*	5-1410-1X* 5-1410X**	15-160X
	E-450 Econoline Super Duty	2 Piece Driveshaft	S	1,2,3	5-160X*	5-1410-1X* 5-1410X**	15-160X
2000-2001	E-450 Econoline Super Duty	V10 6.8L; 2 Piece Driveshaft; Dual Rear Wheels	S	1,2,3	5-178X*	5-1350-1X* 5-1350X**	15-178X
	E-450 Econoline Super Duty	V10 6.8L; 2 Piece Driveshaft; Single Rear Wheels	S	1,2,3	5-160X*	5-1410-1X* 5-1410X**	15-160X
	E-450 Econoline Super Duty	V8 7.3L; 2 Piece Driveshaft; Dual Rear Wheels	S	1,2,3	5-178X*	5-1350-1X* 5-1350X**	15-178X
	E-450 Econoline Super Duty	V8 7.3L; 2 Piece Driveshaft; Single Rear Wheels	S	1,2,3	5-160X*	5-1410-1X* 5-1410X**	15-160X
2002	E-450 Econoline Super Duty	V10 6.8L; 176.0in WB; 2 Piece Driveshaft; Dual Rear Wheels	S	1,2,3	5-178X*	5-1350-1X* 5-1350X**	15-178X
	E-450 Econoline Super Duty	V10 6.8L; 176.0in WB; 2 Piece Driveshaft; Single Rear Wheels	S	1,2,3	5-160X*	5-1410-1X* 5-1410X**	15-160X
	E-450 Econoline Super Duty	V8 7.3L; 176.0in WB; 2 Piece Driveshaft; Dual Rear Wheels	S	1,2,3	5-178X*	5-1350-1X* 5-1350X**	15-178X
	E-450 Econoline Super Duty	V8 7.3L; 176.0in WB; 2 Piece Driveshaft; Single Rear Wheels	S	1,2,3	5-160X*	5-1410-1X* 5-1410X**	15-160X
2003	E-450 Super Duty	Custom; 2 Piece Driveshaft	S	1,2,3	5-160X*	5-1410-1X* 5-1410X**	15-160X
2004-2016	E-450 Super Duty	2 Piece Driveshaft	S	1,2,3	5-160X*	5-1410-1X* 5-1410X**	15-160X
2017	E-450 Super Duty	1 Piece Driveshaft	A	1,2	5-178X*	5-1350-1X* 5-1350X**	15-178X
	E-450 Super Duty	2 Piece Driveshaft	S	1	5-178X*	5-1350-1X* 5-1350X**	15-178X
	E-450 Super Duty	2 Piece Driveshaft	S	2,3	5-160X*	5-1410-1X* 5-1410X**	15-160X
2002	E-550 Econoline Super Duty	V10 6.8L; 2 Piece Driveshaft; Dual Rear Wheels	S	1,2,3	5-178X*	5-1350-1X* 5-1350X**	15-178X
	E-550 Econoline Super Duty	V10 6.8L; 2 Piece Driveshaft; Single Rear Wheels	S	1,2,3	5-160X*	5-1410-1X* 5-1410X**	15-160X

\* GREASEABLE \*\* NON-GREASEABLE

RWD





Ford (Cont'd)

Year	Model	Description	Fig.	Location	Spicer Part #	SPL Part #	SVL Part #
2002	E-550 Econoline Super Duty	V8 7.3L; 2 Piece Driveshaft; Dual Rear Wheels	S	1,2,3	5-178X*	5-1350-1X* 5-1350X**	15-178X
	E-550 Econoline Super Duty	V8 7.3L; 2 Piece Driveshaft; Single Rear Wheels	S	1,2,3	5-160X*	5-1410-1X* 5-1410X**	15-160X
2003	E-550 Super Duty	2 Piece Driveshaft	S	1,2,3	5-188X*	SPL55-1X* SPL55X**	15-188X
1996-1999	Econoline Super Duty	1 Piece Driveshaft	A	1,2	5-160X*	5-1410-1X* 5-1410X**	15-160X
	Econoline Super Duty	2 Piece Driveshaft	S	1,2,3	5-160X*	5-1410-1X* 5-1410X**	15-160X
2008-2012	Escape	2 Piece Driveshaft	AT	1,2	5-153X*	5-1310-1X* 5-1310X**	15-153X
2000	Excursion	V10 6.8L; 1 Piece Driveshaft; 3.73 Drive Ratio	A	1,2	5-160X*	5-1410-1X* 5-1410X**	15-160X
	Excursion	V10 6.8L; 1 Piece Driveshaft; 4.30 Drive Ratio	A	1,2	5-160X*	5-1410-1X* 5-1410X**	15-160X
2000-2002	Excursion	Bearing I.D. 1.378"	B	CB	211175X		
2000-2003	Excursion	V8 5.4L; 1 Piece Driveshaft; 3.73 Drive Ratio	A	1,2	5-178X*	5-1350-1X* 5-1350X**	15-178X
	Excursion	V8 5.4L; 1 Piece Driveshaft; 4.10 Drive Ratio	A	1,2	5-160X*	5-1410-1X* 5-1410X**	15-160X
	Excursion	V8 7.3L; 1 Piece Driveshaft	A	1,2	5-160X*	5-1410-1X* 5-1410X**	15-160X
2001	Excursion	V10 6.8L; 1 Piece Driveshaft; 3.73 Drive Ratio; From 04/08/2001	A	1,2	5-160X*	5-1410-1X* 5-1410X**	15-160X
	Excursion	V10 6.8L; 1 Piece Driveshaft; 3.73 Drive Ratio; To 04/08/2001	A	1,2	5-160X*	5-1410-1X* 5-1410X**	15-160X
	Excursion	V10 6.8L; 1 Piece Driveshaft; 4.30 Drive Ratio; From 04/04/2001	A	1,2	5-160X*	5-1410-1X* 5-1410X**	15-160X
	Excursion	V10 6.8L; 1 Piece Driveshaft; 4.30 Drive Ratio; To 04/04/2001	A	1,2	5-160X*	5-1410-1X* 5-1410X**	15-160X
2002	Excursion	V10 6.8L; 1 Piece Driveshaft	A	1,2	5-160X*	5-1410-1X* 5-1410X**	15-160X
2003	Excursion	V10 6.8L; 1 Piece Driveshaft	A	1,2	5-178X*	5-1350-1X* 5-1350X**	15-178X
	Excursion	V8 6.0L; 1 Piece Driveshaft	A	1,2	5-160X*	5-1410-1X* 5-1410X**	15-160X
2004-2005	Excursion	1 Piece Driveshaft	A	1,2	5-160X*	5-1410-1X* 5-1410X**	15-160X
1997-1999	Expedition	4.6L	A	1,2	5-213X*	5-1330-1X* 5-1330X**	15-213X
	Expedition	5.4L	A	1,2	5-178X*	5-1350-1X* 5-1350X**	15-178X

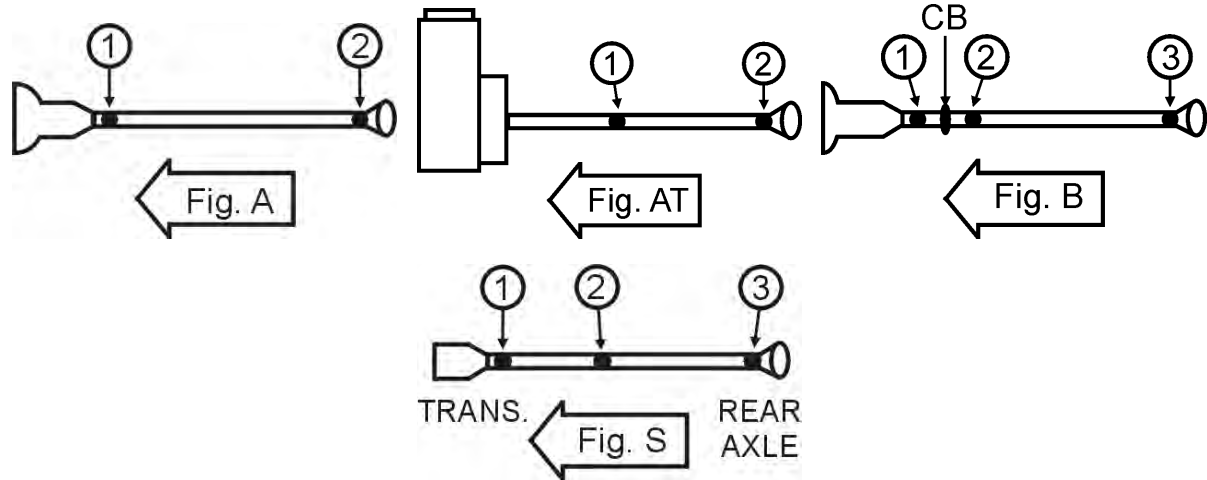
\* GREASEABLE \*\* NON-GREASEABLE

RWD

**Ford (Cont'd)**

Year	Model	Description	Fig.	Location	Spicer Part #	SPL Part #	SVL Part #
2000-2002	Expedition	V8 4.6L; 1 Piece Driveshaft	A	1,2	5-178X*	5-1350-1X* 5-1350X**	15-178X
	Expedition	V8 5.4L; 1 Piece Driveshaft	A	1,2	5-178X*	5-1350-1X* 5-1350X**	15-178X
2003-2006	Expedition	1 Piece Driveshaft	A	2	5-178X*	5-1350-1X* 5-1350X**	15-178X
2014-2016	Expedition	Exc. Max Limited; 2 Piece Driveshaft	AT	1,2	5-178X*	5-1350-1X* 5-1350X**	15-178X
2017	Expedition	2 Piece Driveshaft	AT	1,2	5-178X*	5-1350-1X* 5-1350X**	15-178X
1991-1994	Explorer		A	1,2	5-153X*	5-1310-1X* 5-1310X**	15-153X
1995-1996	Explorer	Auto Trans	A	1,2	5-213X*	5-1330-1X* 5-1330X**	15-213X
	Explorer	Standard Trans; w/ 3.500" O.D. Yoke	A	1,2	5-153X*	5-1310-1X* 5-1310X**	15-153X
	Explorer	Standard Trans; w/ 3.875" O.D. Yoke	A	1,2	5-213X*	5-1330-1X* 5-1330X**	15-213X
1997-2010	Explorer		A	1,2	5-213X*	5-1330-1X* 5-1330X**	15-213X
2001-2005	Explorer Sport Trac		A	1,2	5-213X*	5-1330-1X* 5-1330X**	15-213X
1988-1997	F Super Duty		S	1,2,3	5-160X*	5-1410-1X* 5-1410X**	15-160X
1953	F-100	3.5L; 3.9L; 4.2L	B	1	5-153X*	5-1310-1X* 5-1310X**	15-153X
	F-100	3.5L	B	2,3	5-134X*		15-134X
1953-1954	F-100	3.9L; 4.2L	B	2,3	5-153X*	5-1310-1X* 5-1310X**	15-153X
1954	F-100	3.6L; 3.9L; 4.2L	B	1	5-153X*	5-1310-1X* 5-1310X**	15-153X
1954-1959	F-100	3.6L	B	2,3	5-134X*		15-134X
1955	F-100	3.6L; 3.9L; 4.2L; 4.4L	B	1	5-153X*	5-1310-1X* 5-1310X**	15-153X
	F-100	3.9L; 4.2L; 4.4L	B	2,3	5-153X*	5-1310-1X* 5-1310X**	15-153X
1956	F-100	3.6L; 4.4L	B	1	5-153X*	5-1310-1X* 5-1310X**	15-153X
	F-100	4.4L	B	2,3	5-153X*	5-1310-1X* 5-1310X**	15-153X
1957-1958	F-100	3.6L; 4.4L; 4.8L; 5.8L	B	1	5-153X*	5-1310-1X* 5-1310X**	15-153X
	F-100	4.4L; 4.8L; 5.8L	B	2,3	5-153X*	5-1310-1X* 5-1310X**	15-153X
1959	F-100	3.6L; 4.8L; 5.8L	B	1	5-153X*	5-1310-1X* 5-1310X**	15-153X
	F-100	4.8L; 5.8L	B	2,3	5-153X*	5-1310-1X* 5-1310X**	15-153X
1960-1972	F-100	1 Piece Driveshaft	A	1,2	5-153X*	5-1310-1X* 5-1310X**	15-153X
	F-100	2 Piece Driveshaft	B	1,2,3	5-153X*	5-1310-1X* 5-1310X**	15-153X
1975-1978	F-100	Standard Cab; 1 Piece Driveshaft	A	1,2	5-153X*	5-1310-1X* 5-1310X**	15-153X
	F-100	Extended Cab; 2 Piece Driveshaft	B	1,2,3	5-153X*	5-1310-1X* 5-1310X**	15-153X
1975-1983	F-100	Bearing I.D. 1.378"	B	CB	211175X		
	F-100	Bearing I.D. 1.574"	B	CB	211359X		
1979	F-100	w/ 3.875" O.D. Yoke	A	1	5-213X*	5-1330-1X* 5-1330X**	15-213X
	F-100	w/ 3.500" O.D. Yoke	A	1,2	5-153X*	5-1310-1X* 5-1310X**	15-153X
	F-100	w/ 3.875" O.D. Yoke	A	2	5-1204X*	5-7438X	15-1204X

\* GREASEABLE \*\* NON-GREASEABLE



**Ford (Cont'd)**

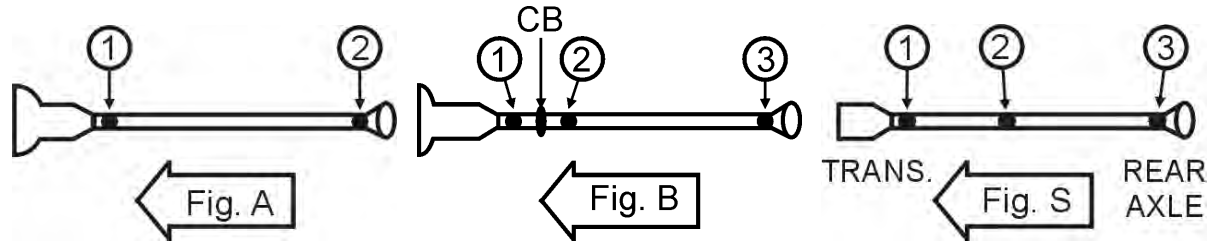
Year	Model	Description	Fig.	Location	Spicer Part #	SPL Part #	SVL Part #
1980-1981	F-100		A	1	5-153X*	5-1310-1X* 5-1310X**	15-153X
	F-100		A	2	5-1204X*	5-7438X	15-1204X
1982-1983	F-100	1 Piece Driveshaft	A	1	5-153X*	5-1310-1X* 5-1310X**	15-153X
	F-100	1 Piece Driveshaft	A	2	5-1204X*	5-7438X	15-1204X
	F-100	2 Piece Driveshaft; w/ U-Bolts	B	1	5-1204X*	5-7438X	15-1204X
	F-100	2 Piece Driveshaft; w/o U-Bolts	B	1	5-213X*	5-1330-1X* 5-1330X**	15-213X
	F-100	2 Piece Driveshaft	B	2	5-213X*	5-1330-1X* 5-1330X**	15-213X
	F-100	2 Piece Driveshaft	B	3	5-1204X*	5-7438X	15-1204X
1975	F-150	7.5L; Extended Cab; Auto Trans; 2 Piece Driveshaft	B	2,3	5-134X*		15-134X
1975-1976	F-150	5.9L; Standard Cab; Auto Trans; 1 Piece Driveshaft	A	1,2	5-153X*	5-1310-1X* 5-1310X**	15-153X
	F-150	6.4L; Standard Cab; Auto Trans; 1 Piece Driveshaft	A	1,2	5-153X*	5-1310-1X* 5-1310X**	15-153X
	F-150	5.9L; Extended Cab; Auto Trans; 2 Piece Driveshaft	B	1,2,3	5-153X*	5-1310-1X* 5-1310X**	15-153X
	F-150	6.4L; Extended Cab; Auto Trans; 2 Piece Driveshaft	B	1,2,3	5-153X*	5-1310-1X* 5-1310X**	15-153X
1975-1977	F-150	4.9L; Standard Cab; Auto Trans; 1 Piece Driveshaft	A	1,2	5-153X*	5-1310-1X* 5-1310X**	15-153X
	F-150	5.0L; Standard Cab; Auto Trans; 1 Piece Driveshaft	A	1,2	5-153X*	5-1310-1X* 5-1310X**	15-153X
1975-1978	F-150	Standard Cab; Standard Trans; 1 Piece Driveshaft	A	1,2	5-153X*	5-1310-1X* 5-1310X**	15-153X
	F-150	7.5L; Extended Cab; Auto Trans; 2 Piece Driveshaft	B	1	5-213X*	5-1330-1X* 5-1330X**	15-213X
	F-150	4.9L; Extended Cab; Auto Trans; 2 Piece Driveshaft	B	1,2,3	5-153X*	5-1310-1X* 5-1310X**	15-153X
	F-150	5.0L; Extended Cab; Auto Trans; 2 Piece Driveshaft	B	1,2,3	5-153X*	5-1310-1X* 5-1310X**	15-153X
1975-1983	F-150	Bearing I.D. 1.574"	B	CB	211359X		
1975-1995	F-150	Bearing I.D. 1.378"	B	CB	211175X		
1976	F-150	7.5L; Extended Cab; Auto Trans; 2 Piece Driveshaft	B	2,3	5-153X*	5-1310-1X* 5-1310X**	15-153X
1977	F-150	5.8L; Standard Cab; Auto Trans; 1 Piece Driveshaft	A	1,2	5-153X*	5-1310-1X* 5-1310X**	15-153X
	F-150	7.5L; Standard Cab; Auto Trans; 1 Piece Driveshaft	A	1,2	5-213X*	5-1330-1X* 5-1330X**	15-213X

\* GREASEABLE \*\* NON-GREASEABLE

**Ford (Cont'd)**

Year	Model	Description	Fig.	Location	Spicer Part #	SPL Part #	SVL Part #
1977	F-150	Extended Cab; Standard Trans; 2 Piece Driveshaft	B	1,2,3	5-153X*	5-1310-1X* 5-1310X**	15-153X
	F-150	7.5L; Standard Cab; Auto Trans; 2 Piece Driveshaft	B	2	5-213X*	5-1330-1X* 5-1330X**	15-213X
1977-1978	F-150	6.6L; Extended Cab; Auto Trans; 2 Piece Driveshaft	B	1	5-134X*		15-134X
	F-150	6.6L; Standard Cab; Auto Trans; 2 Piece Driveshaft; w/ 3.25 Rear Axle	B	1	5-134X*		15-134X
	F-150	5.8L; Extended Cab; Auto Trans; 2 Piece Driveshaft	B	1,2,3	5-153X*	5-1310-1X* 5-1310X**	15-153X
	F-150	6.6L; Standard Cab; Auto Trans; 2 Piece Driveshaft; w/ 2.75 Rear Axle	B	1,2,3	5-213X*	5-1330-1X* 5-1330X**	15-213X
	F-150	6.6L; Extended Cab; Auto Trans; 2 Piece Driveshaft	B	2,3	5-213X*	5-1330-1X* 5-1330X**	15-213X
	F-150	6.6L; Standard Cab; Auto Trans; 2 Piece Driveshaft; w/ 3.25 Rear Axle	B	2,3	5-213X*	5-1330-1X* 5-1330X**	15-213X
	F-150	7.5L; Extended Cab; Auto Trans; 2 Piece Driveshaft	B	2,3	5-134X*		15-134X
	1978	F-150	Extended Cab; Standard Trans; 1 Piece Driveshaft	A	1,2	5-153X*	5-1310-1X* 5-1310X**
F-150		7.5L; Standard Cab; Auto Trans; 2 Piece Driveshaft	B	1,2,3	5-213X*	5-1330-1X* 5-1330X**	15-213X
F-150		4.9L; Standard Cab; Auto Trans; 2 Piece Driveshaft	B	1,3	5-153X*	5-1310-1X* 5-1310X**	15-153X
F-150		5.0L; Standard Cab; Auto Trans; 2 Piece Driveshaft	B	1,3	5-153X*	5-1310-1X* 5-1310X**	15-153X
F-150		5.8L; Standard Cab; Auto Trans; 2 Piece Driveshaft	B	1,3	5-153X*	5-1310-1X* 5-1310X**	15-153X
1979-1986	F-150	2 Piece Driveshaft; w/o U-Bolts	B	1	5-213X*	5-1330-1X* 5-1330X**	15-213X
1981	F-150	1 Piece Driveshaft; Using plastic to retain the u-joints	A	1,2	5-3147X*	5-795X**	15-3147X
1981-1986	F-150	2 Piece Driveshaft; w/ U-Bolts	B	1	5-1204X*	5-7438X	15-1204X
1982-1989	F-150	1 Piece Driveshaft	A	1	5-213X*	5-1330-1X* 5-1330X**	15-213X
	F-150	1 Piece Driveshaft	A	2	5-1204X*	5-7438X	15-1204X
	F-150	2 Piece Driveshaft	B	3	5-1204X*	5-7438X	15-1204X
1988	F-150	2 Piece Driveshaft; Exc. ZF HD 5 Spd. Man. Trans.	B	1	5-213X*	5-1330-1X* 5-1330X**	15-213X
	F-150	2 Piece Driveshaft; w/ ZF HD 5 Spd. Man. Trans.	B	1	5-1204X*	5-7438X	15-1204X
	F-150	2 Piece Driveshaft	B	2	5-213X*	5-1330-1X* 5-1330X**	15-213X
1989	F-150	2 Piece Driveshaft	B	1,2	5-213X*	5-1330-1X* 5-1330X**	15-213X
1990	F-150	Extended Cab; 1 Piece Driveshaft	A	1	5-213X*	5-1330-1X* 5-1330X**	15-213X
	F-150	Standard Cab; 1 Piece Driveshaft	A	1	5-213X*	5-1330-1X* 5-1330X**	15-213X
	F-150	Extended Cab; 1 Piece Driveshaft	A	2	5-1204X*	5-7438X	15-1204X
	F-150	Standard Cab; 1 Piece Driveshaft	A	2	5-1204X*	5-7438X	15-1204X
	F-150	Standard Cab; Standard Trans; 2 Piece Driveshaft	B	1,2,3		5-1330-1X*	
	F-150	Standard Cab; Standard Trans; 4 Speed; 2 Piece Driveshaft	B	1,2,3	5-1204X*	5-7438X	15-1204X
	F-150	Standard Cab; Standard Trans; 5 Speed; 2 Piece Driveshaft	B	1,2,3	5-213X*	5-1330X**	15-213X
1990-1996	F-150	Extended Cab; 2 Piece Driveshaft	B	1,2,3	5-213X*	5-1330-1X* 5-1330X**	15-213X
1991-1996	F-150	Standard Cab; 1 Piece Driveshaft	A	1,2	5-213X*	5-1330-1X* 5-1330X**	15-213X
	F-150	Standard Cab; 2 Piece Driveshaft; w/ 2 Inside & 2 Outside Snap Rings	B	1,2	5-1204X*	5-7438X	15-1204X

\* GREASEABLE \*\* NON-GREASEABLE



**Ford (Cont'd)**

Year	Model	Description	Fig.	Location	Spicer Part #	SPL Part #	SVL Part #
1991-1996	F-150	Standard Cab; 2 Piece Driveshaft; w/ 4 Outside Snap Rings	B	1,2	5-213X*	5-1330-1X* 5-1330X**	15-213X
	F-150	Standard Cab; 2 Piece Driveshaft	B	3	5-213X*	5-1330-1X* 5-1330X**	15-213X
1997	F-150	5.4L; 157.0" WB; 2 Piece Driveshaft; 1.062" Cup Dia.	B	1,2,3	5-213X*	5-1330-1X* 5-1330X**	15-213X
1997-2002	F-150	5.4L; 120.0" WB; 1 Piece Driveshaft; 1.188" Cup Dia.	A	1,2	5-178X*	5-1350-1X* 5-1350X**	15-178X
	F-150	4.2L; 157.0" WB; 2 Piece Driveshaft	B	1,2,3	5-213X*	5-1330-1X* 5-1330X**	15-213X
	F-150	4.6L; 157.0" WB; 2 Piece Driveshaft	B	1,2,3	5-213X*	5-1330-1X* 5-1330X**	15-213X
1997-2003	F-150	4.2L; 120.0" WB; 1 Piece Driveshaft	A	1,2	5-213X*	5-1330-1X* 5-1330X**	15-213X
	F-150	4.2L; 139.0" WB; 1 Piece Driveshaft	A	1,2	5-213X*	5-1330-1X* 5-1330X**	15-213X
	F-150	4.6L; 120.0" WB; 1 Piece Driveshaft	A	1,2	5-213X*	5-1330-1X* 5-1330X**	15-213X
	F-150	4.6L; 139.0" WB; 1 Piece Driveshaft	A	1,2	5-213X*	5-1330-1X* 5-1330X**	15-213X
	F-150	5.4L; 139.0" WB; 1 Piece Driveshaft	A	1,2	5-178X*	5-1350-1X* 5-1350X**	15-178X
1998-2002	F-150	5.4L; 120.0" WB; 1 Piece Driveshaft; 1.062" Cup Dia.	A	1,2	5-213X*	5-1330-1X* 5-1330X**	15-213X
	F-150	5.4L; 157.0" WB; 2 Piece Driveshaft	B	1,2,3	5-178X*	5-1350-1X* 5-1350X**	15-178X
2003	F-150	5.4L; 120.0" WB; 1 Piece Driveshaft	A	1,2	5-178X*	5-1350-1X* 5-1350X**	15-178X
	F-150	4.2L; 157.0" WB; 2 Piece Driveshaft; 1.062" Cup Dia.	B	1,2,3	5-213X*	5-1330-1X* 5-1330X**	15-213X
	F-150	4.6L; 157.0" WB; 2 Piece Driveshaft; 1.062" Cup Dia.	B	1,2,3	5-213X*	5-1330-1X* 5-1330X**	15-213X
	F-150	5.4L; 157.0" WB; 2 Piece Driveshaft; 1.188" Cup Dia.	B	1,2,3	5-178X*	5-1350-1X* 5-1350X**	15-178X
2004	F-150	2 Piece Driveshaft	B	1,2,3	5-178X*	5-1350-1X* 5-1350X**	15-178X
2004-2014	F-150	1 Piece Driveshaft	A	1,2	5-178X*	5-1350-1X* 5-1350X**	15-178X
2005-2014	F-150	2 Piece Driveshaft	S	1,2,3	5-178X*	5-1350-1X* 5-1350X**	15-178X
2004	F-150 Heritage	4.2L; 119.9" WB; 1 Piece Driveshaft	A	1,2	5-213X*	5-1330-1X* 5-1330X**	15-213X
	F-150 Heritage	4.2L; 120.2" WB; 1 Piece Driveshaft	A	1,2	5-213X*	5-1330-1X* 5-1330X**	15-213X
	F-150 Heritage	4.2L; 138.5" WB; 1 Piece Driveshaft	A	1,2	5-213X*	5-1330-1X* 5-1330X**	15-213X
	F-150 Heritage	4.2L; 138.8" WB; 1 Piece Driveshaft	A	1,2	5-213X*	5-1330-1X* 5-1330X**	15-213X
	F-150 Heritage	4.6L; 119.9" WB; 1 Piece Driveshaft	A	1,2	5-213X*	5-1330-1X* 5-1330X**	15-213X
	F-150 Heritage	4.6L; 120.2" WB; 1 Piece Driveshaft	A	1,2	5-213X*	5-1330-1X* 5-1330X**	15-213X
	F-150 Heritage	4.6L; 138.5" WB; 1 Piece Driveshaft	A	1,2	5-213X*	5-1330-1X* 5-1330X**	15-213X

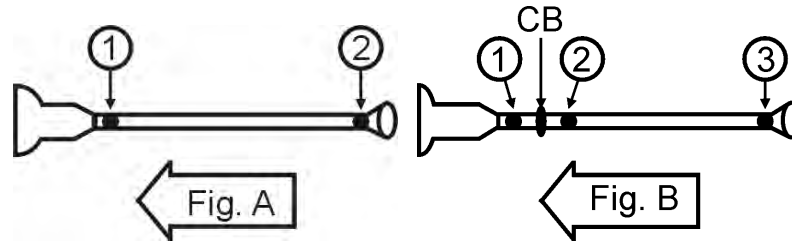
\* GREASEABLE \*\* NON-GREASEABLE

RWD

**Ford (Cont'd)**

Year	Model	Description	Fig.	Location	Spicer Part #	SPL Part #	SVL Part #
2004	F-150 Heritage	4.6L; 138.8" WB; 1 Piece Driveshaft	A	1,2	5-213X*	5-1330-1X* 5-1330X**	15-213X
	F-150 Heritage	5.4L; 119.9" WB; 1 Piece Driveshaft	A	1,2	5-178X*	5-1350-1X* 5-1350X**	15-178X
	F-150 Heritage	5.4L; 120.2" WB; 1 Piece Driveshaft	A	1,2	5-178X*	5-1350-1X* 5-1350X**	15-178X
	F-150 Heritage	5.4L; 138.5" WB; 1 Piece Driveshaft	A	1,2	5-178X*	5-1350-1X* 5-1350X**	15-178X
	F-150 Heritage	5.4L; 138.8" WB; 1 Piece Driveshaft	A	1,2	5-178X*	5-1350-1X* 5-1350X**	15-178X
	F-150 Heritage	4.2L; 157.1" WB; 2 Piece Driveshaft	B	1,2,3	5-213X*	5-1330-1X* 5-1330X**	15-213X
	F-150 Heritage	4.2L; 157.4" WB; 2 Piece Driveshaft	B	1,2,3	5-213X*	5-1330-1X* 5-1330X**	15-213X
	F-150 Heritage	4.6L; 157.1" WB; 2 Piece Driveshaft	B	1,2,3	5-213X*	5-1330-1X* 5-1330X**	15-213X
	F-150 Heritage	4.6L; 157.4" WB; 2 Piece Driveshaft	B	1,2,3	5-213X*	5-1330-1X* 5-1330X**	15-213X
	F-150 Heritage	5.4L; 157.1" WB; 2 Piece Driveshaft	B	1,2,3	5-178X*	5-1350-1X* 5-1350X**	15-178X
	F-150 Heritage	5.4L; 157.4" WB; 2 Piece Driveshaft	B	1,2,3	5-178X*	5-1350-1X* 5-1350X**	15-178X
1953-1967	F-250	1 Piece Driveshaft	A	1,2	5-153X*	5-1310-1X* 5-1310X**	15-153X
	F-250	2 Piece Driveshaft	B	1,2,3	5-153X*	5-1310-1X* 5-1310X**	15-153X
1968-1972	F-250	3.9L	B	1,2,3	5-153X*	5-1310-1X* 5-1310X**	15-153X
	F-250	4.9L	B	1,2,3	5-153X*	5-1310-1X* 5-1310X**	15-153X
1968-1974	F-250	5.9L	B	1,2,3	5-153X*	5-1310-1X* 5-1310X**	15-153X
	F-250	6.4L	B	1,2,3	5-213X*	5-1330-1X* 5-1330X**	15-213X
1973-1974	F-250	7.5L	B	1,2,3	5-213X*	5-1330-1X* 5-1330X**	15-213X
1975-1976	F-250	6.4L; 133.0" WB; 1 Piece Driveshaft; 1.188" Cup Dia.	A	1,2	5-178X*	5-1350-1X* 5-1350X**	15-178X
	F-250	7.5L; 133.0" WB; 1 Piece Driveshaft; 1.188" Cup Dia.	A	1,2	5-178X*	5-1350-1X* 5-1350X**	15-178X
	F-250	4.9L; Extended Cab; Standard Trans; 2 Piece Driveshaft	B	1	5-153X*	5-1310-1X* 5-1310X**	15-153X
	F-250	5.9L; Extended Cab; Standard Trans; 2 Piece Driveshaft	B	1	5-153X*	5-1310-1X* 5-1310X**	15-153X
	F-250	6.4L; 133.0" WB; 2 Piece Driveshaft; 1.062" Cup Dia.	B	1,2	5-213X*	5-1330-1X* 5-1330X**	15-213X
	F-250	4.9L; Cab & Chassis; Auto Trans; 2 Piece Driveshaft	B	1,2,3	5-153X*	5-1310-1X* 5-1310X**	15-153X
	F-250	4.9L; Cab & Chassis; Standard Trans; 2 Piece Driveshaft	B	1,2,3	5-153X*	5-1310-1X* 5-1310X**	15-153X
	F-250	4.9L; Standard Cab; Auto Trans; 2 Piece Driveshaft	B	1,2,3	5-153X*	5-1310-1X* 5-1310X**	15-153X
	F-250	4.9L; Standard Cab; Standard Trans; 2 Piece Driveshaft	B	1,2,3	5-153X*	5-1310-1X* 5-1310X**	15-153X
	F-250	5.9L; Cab & Chassis; Auto Trans; 2 Piece Driveshaft	B	1,2,3	5-153X*	5-1310-1X* 5-1310X**	15-153X
	F-250	5.9L; Cab & Chassis; Standard Trans; 2 Piece Driveshaft	B	1,2,3	5-153X*	5-1310-1X* 5-1310X**	15-153X
	F-250	5.9L; Standard Cab; Auto Trans; 2 Piece Driveshaft	B	1,2,3	5-153X*	5-1310-1X* 5-1310X**	15-153X
	F-250	5.9L; Standard Cab; Standard Trans; 2 Piece Driveshaft	B	1,2,3	5-153X*	5-1310-1X* 5-1310X**	15-153X
	F-250	6.4L; 133.0" WB; 2 Piece Driveshaft; 1.188" Cup Dia.	B	1,2,3	5-178X*	5-1350-1X* 5-1350X**	15-178X

\* GREASEABLE \*\* NON-GREASEABLE



**Ford (Cont'd)**

Year	Model	Description	Fig.	Location	Spicer Part #	SPL Part #	SVL Part #
1975-1976	F-250	6.4L; 155.0" WB; 2 Piece Driveshaft; 1.062" Cup Dia.; w/ 3.875" O.D. Yoke	B	1,2,3	5-213X*	5-1330-1X* 5-1330X**	15-213X
	F-250	6.4L; 155.0" WB; 2 Piece Driveshaft; 1.188" Cup Dia.; w/ 3.875" O.D. Yoke	B	1,2,3	5-178X*	5-1350-1X* 5-1350X**	15-178X
	F-250	6.4L; 155.0" WB; 2 Piece Driveshaft; w/ 3.500" O.D. Yoke	B	1,2,3	5-153X*	5-1310-1X* 5-1310X**	15-153X
	F-250	4.9L; Extended Cab; Standard Trans; 2 Piece Driveshaft	B	2,3	5-134X*		15-134X
	F-250	5.9L; Extended Cab; Standard Trans; 2 Piece Driveshaft	B	2,3	5-134X*		15-134X
	F-250	6.4L; 133.0" WB; 2 Piece Driveshaft; 1.062" Cup Dia.	B	3	5-178X*	5-1350-1X* 5-1350X**	15-178X
1975-1977	F-250	7.5L; 133.0" WB; 2 Piece Driveshaft; 1.062" Cup Dia.	B	1,2	5-213X*	5-1330-1X* 5-1330X**	15-213X
	F-250	7.5L; 133.0" WB; 2 Piece Driveshaft; 1.188" Cup Dia.	B	1,2,3	5-178X*	5-1350-1X* 5-1350X**	15-178X
	F-250	7.5L; 155.0" WB; 2 Piece Driveshaft; 1.062" Cup Dia.; w/ 3.875" O.D. Yoke	B	1,2,3	5-213X*	5-1330-1X* 5-1330X**	15-213X
	F-250	7.5L; 155.0" WB; 2 Piece Driveshaft; 1.188" Cup Dia.; w/ 3.875" O.D. Yoke	B	1,2,3	5-178X*	5-1350-1X* 5-1350X**	15-178X
	F-250	7.5L; 155.0" WB; 2 Piece Driveshaft; w/ 3.500" O.D. Yoke	B	1,2,3	5-153X*	5-1310-1X* 5-1310X**	15-153X
	F-250	7.5L; 133.0" WB; 2 Piece Driveshaft; 1.062" Cup Dia.	B	3	5-178X*	5-1350-1X* 5-1350X**	15-178X
1977	F-250	6.6L; 133.0" WB; 1 Piece Driveshaft	A	1,2	5-178X*	5-1350-1X* 5-1350X**	15-178X
	F-250	7.5L; 133.0" WB; 1 Piece Driveshaft	A	1,2	5-178X*	5-1350-1X* 5-1350X**	15-178X
	F-250	6.6L; 133.0" WB; 2 Piece Driveshaft; 1.062" Cup Dia.	B	1,2	5-213X*	5-1330-1X* 5-1330X**	15-213X
	F-250	6.6L; 139.0" WB; 2 Piece Driveshaft; 1.062" Cup Dia.	B	1,2	5-213X*	5-1330-1X* 5-1330X**	15-213X
	F-250	7.5L; 139.0" WB; 2 Piece Driveshaft; 1.062" Cup Dia.	B	1,2	5-213X*	5-1330-1X* 5-1330X**	15-213X
	F-250	4.9L; 2 Piece Driveshaft; w/ 3.500" O.D. Yoke	B	1,2,3	5-153X*	5-1310-1X* 5-1310X**	15-153X
	F-250	4.9L; 2 Piece Driveshaft; w/ 3.875" O.D. Yoke	B	1,2,3	5-134X*		15-134X
	F-250	5.8L; 2 Piece Driveshaft; w/ 3.500" O.D. Yoke	B	1,2,3	5-153X*	5-1310-1X* 5-1310X**	15-153X
	F-250	5.8L; 2 Piece Driveshaft; w/ 3.875" O.D. Yoke	B	1,2,3	5-134X*		15-134X
	F-250	6.6L; 133.0" WB; 2 Piece Driveshaft; 1.188" Cup Dia.	B	1,2,3	5-178X*	5-1350-1X* 5-1350X**	15-178X
	F-250	6.6L; 139.0" WB; 2 Piece Driveshaft; 1.188" Cup Dia.	B	1,2,3	5-178X*	5-1350-1X* 5-1350X**	15-178X
	F-250	6.6L; 155.0" WB; 2 Piece Driveshaft; 1.062" Cup Dia.; w/ 3.875" O.D. Yoke	B	1,2,3	5-213X*	5-1330-1X* 5-1330X**	15-213X
	F-250	6.6L; 155.0" WB; 2 Piece Driveshaft; 1.188" Cup Dia.; w/ 3.875" O.D. Yoke	B	1,2,3	5-178X*	5-1350-1X* 5-1350X**	15-178X
	F-250	6.6L; 155.0" WB; 2 Piece Driveshaft; w/ 3.500" O.D. Yoke	B	1,2,3	5-153X*	5-1310-1X* 5-1310X**	15-153X
	F-250	7.5L; 139.0" WB; 2 Piece Driveshaft; 1.188" Cup Dia.	B	1,2,3	5-178X*	5-1350-1X* 5-1350X**	15-178X

\* GREASEABLE \*\* NON-GREASEABLE

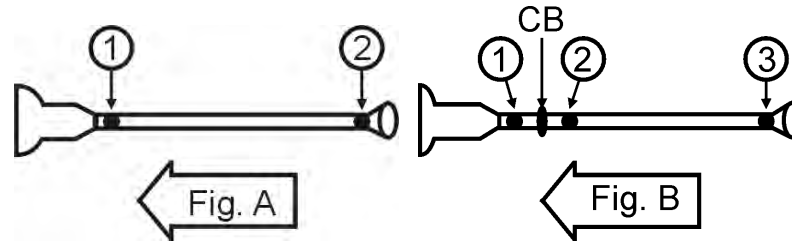
R  
W  
D

**Ford (Cont'd)**

Year	Model	Description	Fig.	Location	Spicer Part #	SPL Part #	SVL Part #
1977	F-250	6.6L; 133.0" WB; 2 Piece Driveshaft; 1.062" Cup Dia.	B	3	5-178X*	5-1350-1X* 5-1350X**	15-178X
	F-250	6.6L; 139.0" WB; 2 Piece Driveshaft; 1.062" Cup Dia.	B	3	5-178X*	5-1350-1X* 5-1350X**	15-178X
	F-250	7.5L; 139.0" WB; 2 Piece Driveshaft; 1.062" Cup Dia.	B	3	5-178X*	5-1350-1X* 5-1350X**	15-178X
1978	F-250	6.6L; 1 Piece Driveshaft	A	1,2	5-213X*	5-1330-1X* 5-1330X**	15-213X
	F-250	7.5L; 1 Piece Driveshaft	A	1,2	5-213X*	5-1330-1X* 5-1330X**	15-213X
	F-250	4.9L; 2 Piece Driveshaft	B	1,2,3	5-153X*	5-1310-1X* 5-1310X**	15-153X
	F-250	5.8L; 2 Piece Driveshaft	B	1,2,3	5-153X*	5-1310-1X* 5-1310X**	15-153X
	F-250	6.6L; 2 Piece Driveshaft	B	1,3	5-213X*	5-1330-1X* 5-1330X**	15-213X
	F-250	7.5L; 2 Piece Driveshaft	B	1,3	5-213X*	5-1330-1X* 5-1330X**	15-213X
	F-250	6.6L; 2 Piece Driveshaft; 1.062" Cup Dia.	B	2	5-213X*	5-1330-1X* 5-1330X**	15-213X
	F-250	6.6L; 2 Piece Driveshaft; 1.188" Cup Dia.	B	2	5-178X*	5-1350-1X* 5-1350X**	15-178X
	F-250	7.5L; 2 Piece Driveshaft; 1.062" Cup Dia.	B	2	5-213X*	5-1330-1X* 5-1330X**	15-213X
	F-250	7.5L; 2 Piece Driveshaft; 1.188" Cup Dia.	B	2	5-178X*	5-1350-1X* 5-1350X**	15-178X
1979	F-250	4.9L; 5.8L; 7.5L; 133.0" WB; 139.0" WB; 155.0" WB; w/ 3.73 Rear Axle	B	1,2	5-213X*	5-1330-1X* 5-1330X**	15-213X
	F-250	4.9L; 5.8L; 7.5L; 133.0" WB; 139.0" WB; 155.0" WB; w/o 3.73 Rear Axle	B	1,2	5-213X*	5-1330-1X* 5-1330X**	15-213X
	F-250	4.9L; 5.8L; 7.5L; 155.0" WB; w/ Dana 60 Rear Axle	B	1,2	5-213X*	5-1330-1X* 5-1330X**	15-213X
	F-250	4.9L; 5.8L; 7.5L; 155.0" WB; w/o Dana 60 Rear Axle	B	1,2	5-213X*	5-1330-1X* 5-1330X**	15-213X
	F-250	6.6L	B	1,2,3	5-178X*	5-1350-1X* 5-1350X**	15-178X
	F-250	4.9L; 5.8L; 7.5L; 133.0" WB; 139.0" WB; 155.0" WB; w/ 3.73 Rear Axle	B	3	5-1204X*	5-7438X	15-1204X
	F-250	4.9L; 5.8L; 7.5L; 133.0" WB; 139.0" WB; 155.0" WB; w/o 3.73 Rear Axle	B	3	5-178X*	5-1350-1X* 5-1350X**	15-178X
	F-250	4.9L; 5.8L; 7.5L; 155.0" WB; w/ Dana 60 Rear Axle	B	3	5-1204X*	5-7438X	15-1204X
1980	F-250	4.9L; 5.8L; 7.5L; 155.0" WB; w/o Dana 60 Rear Axle	B	3	5-178X*	5-1350-1X* 5-1350X**	15-178X
	F-250	2 Piece Driveshaft	B	1,2	5-213X*	5-1330-1X* 5-1330X**	15-213X
1980-1986	F-250	1 Piece Driveshaft	A	1	5-213X*	5-1330-1X* 5-1330X**	15-213X
	F-250	1 Piece Driveshaft	A	2	5-1204X*	5-7438X	15-1204X
	F-250	2 Piece Driveshaft	B	3	5-1204X*	5-7438X	15-1204X
1981-1986	F-250	2 Piece Driveshaft; w/ U-Bolts	B	1	5-1204X*	5-7438X	15-1204X
	F-250	2 Piece Driveshaft; w/o U-Bolts	B	1	5-213X*	5-1330-1X* 5-1330X**	15-213X
	F-250	2 Piece Driveshaft	B	2	5-213X*	5-1330-1X* 5-1330X**	15-213X
1987	F-250	Extended Cab; 3 Speed	A	1	5-213X*	5-1330-1X* 5-1330X**	15-213X
	F-250	Extended Cab; 4 Speed	A	1	5-213X*	5-1330-1X* 5-1330X**	15-213X
	F-250	Standard Cab; 3 Speed	A	1	5-213X*	5-1330-1X* 5-1330X**	15-213X
	F-250	Standard Cab; 4 Speed	A	1	5-213X*	5-1330-1X* 5-1330X**	15-213X

\* GREASEABLE \*\* NON-GREASEABLE





**Ford (Cont'd)**

Year	Model	Description	Fig.	Location	Spicer Part #	SPL Part #	SVL Part #
1987	F-250	Extended Cab; Standard Trans; 5 Speed	A	1,2	5-178X*	5-1350-1X* 5-1350X**	15-178X
	F-250	Standard Cab; Standard Trans; 5 Speed	A	1,2	5-178X*	5-1350-1X* 5-1350X**	15-178X
	F-250	Extended Cab; 3 Speed	A	2	5-1204X*	5-7438X	15-1204X
	F-250	Extended Cab; 4 Speed	A	2	5-1204X*	5-7438X	15-1204X
	F-250	Standard Cab; 3 Speed	A	2	5-1204X*	5-7438X	15-1204X
	F-250	Standard Cab; 4 Speed	A	2	5-1204X*	5-7438X	15-1204X
1988	F-250	3 Speed; 1 Piece Driveshaft	A	1	5-213X*	5-1330-1X* 5-1330X**	15-213X
	F-250	4 Speed; 1 Piece Driveshaft	A	1	5-213X*	5-1330-1X* 5-1330X**	15-213X
	F-250	5.0L; Standard Trans; 5 Speed; 1 Piece Driveshaft; w/o Heavy Duty Trans	A	1	5-213X*	5-1330-1X* 5-1330X**	15-213X
	F-250	5.8L; Standard Trans; 5 Speed; 1 Piece Driveshaft; w/o Heavy Duty Trans	A	1	5-213X*	5-1330-1X* 5-1330X**	15-213X
	F-250	7.3L; Standard Trans; 5 Speed; 1 Piece Driveshaft; w/o Heavy Duty Trans	A	1	5-213X*	5-1330-1X* 5-1330X**	15-213X
	F-250	7.5L; Standard Trans; 5 Speed; 1 Piece Driveshaft; w/o Heavy Duty Trans	A	1	5-213X*	5-1330-1X* 5-1330X**	15-213X
	F-250	7.3L; Standard Trans; 5 Speed; 1 Piece Driveshaft; Heavy Duty Trans	A	1,2	5-178X*	5-1350-1X* 5-1350X**	15-178X
	F-250	7.5L; Standard Trans; 5 Speed; 1 Piece Driveshaft; Heavy Duty Trans	A	1,2	5-178X*	5-1350-1X* 5-1350X**	15-178X
	F-250	3 Speed; 1 Piece Driveshaft	A	2	5-1204X*	5-7438X	15-1204X
	F-250	4 Speed; 1 Piece Driveshaft	A	2	5-1204X*	5-7438X	15-1204X
	F-250	4.9L; Standard Trans; 5 Speed; 2 Piece Driveshaft; Heavy Duty Trans	B	1	5-1204X*	5-7438X	15-1204X
	F-250	4.9L; Standard Trans; 5 Speed; 2 Piece Driveshaft; w/o Heavy Duty Trans; w/ 4.10 Rear Axle	B	1	5-1204X*	5-7438X	15-1204X
	F-250	5.8L; Standard Trans; 5 Speed; 2 Piece Driveshaft; Heavy Duty Trans	B	1	5-1204X*	5-7438X	15-1204X
	F-250	3 Speed; 2 Piece Driveshaft	B	1,2	5-213X*	5-1330-1X* 5-1330X**	15-213X
	F-250	4 Speed; 2 Piece Driveshaft	B	1,2	5-213X*	5-1330-1X* 5-1330X**	15-213X
	F-250	4.9L; Standard Trans; 5 Speed; 2 Piece Driveshaft; Heavy Duty Trans	B	2	5-213X*	5-1330-1X* 5-1330X**	15-213X
	F-250	4.9L; Standard Trans; 5 Speed; 2 Piece Driveshaft; w/o Heavy Duty Trans; w/ 4.10 Rear Axle	B	2	5-213X*	5-1330-1X* 5-1330X**	15-213X
	F-250	5.8L; Standard Trans; 5 Speed; 2 Piece Driveshaft; Heavy Duty Trans	B	2	5-213X*	5-1330-1X* 5-1330X**	15-213X
	F-250	3 Speed; 2 Piece Driveshaft	B	3	5-1204X*	5-7438X	15-1204X
	F-250	4 Speed; 2 Piece Driveshaft	B	3	5-1204X*	5-7438X	15-1204X
	F-250	4.9L; Standard Trans; 5 Speed; 2 Piece Driveshaft; Heavy Duty Trans	B	3	5-1204X*	5-7438X	15-1204X
	F-250	4.9L; Standard Trans; 5 Speed; 2 Piece Driveshaft; w/o Heavy Duty Trans; w/ 4.10 Rear Axle	B	3	5-1204X*	5-7438X	15-1204X
	F-250	5.8L; Standard Trans; 5 Speed; 2 Piece Driveshaft; Heavy Duty Trans	B	3	5-1204X*	5-7438X	15-1204X

\* GREASEABLE \*\* NON-GREASEABLE

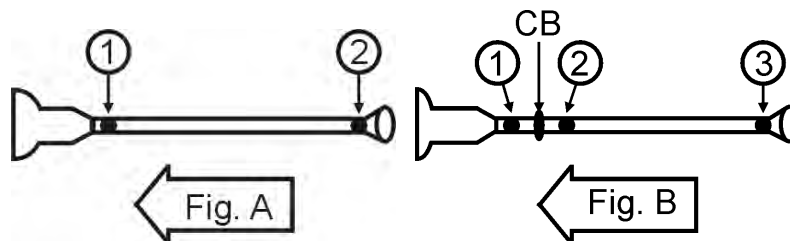
RWD

**Ford (Cont'd)**

Year	Model	Description	Fig.	Location	Spicer Part #	SPL Part #	SVL Part #
1989	F-250	Standard Cab; 3 Speed; 1 Piece Driveshaft	A	1	5-213X*	5-1330-1X* 5-1330X**	15-213X
	F-250	Standard Cab; 4 Speed; 1 Piece Driveshaft	A	1	5-213X*	5-1330-1X* 5-1330X**	15-213X
	F-250	7.3L; Standard Trans; 5 Speed; 1 Piece Driveshaft	A	1,2	5-178X*	5-1350-1X* 5-1350X**	15-178X
	F-250	7.5L; Standard Trans; 5 Speed; 1 Piece Driveshaft	A	1,2	5-178X*	5-1350-1X* 5-1350X**	15-178X
	F-250	Standard Cab; 3 Speed; 1 Piece Driveshaft	A	2	5-1204X*	5-7438X	15-1204X
	F-250	Standard Cab; 4 Speed; 1 Piece Driveshaft	A	2	5-1204X*	5-7438X	15-1204X
	F-250	4.9L; Standard Trans; 5 Speed; 2 Piece Driveshaft; w/ H/D	B	1,3	5-1204X*	5-7438X	15-1204X
	F-250	5.8L; Standard Trans; 5 Speed; 2 Piece Driveshaft; w/ H/D	B	1,3	5-1204X*	5-7438X	15-1204X
	F-250	4.9L; Standard Trans; 5 Speed; 2 Piece Driveshaft	B	2	5-213X*	5-1330-1X* 5-1330X**	15-213X
	F-250	5.8L; Standard Trans; 5 Speed; 2 Piece Driveshaft	B	2	5-213X*	5-1330-1X* 5-1330X**	15-213X
1990	F-250	4.9L; Standard Cab; 1 Piece Driveshaft; 1.062" Cup Dia.; w/ Outside Snap Rings	A	1	5-213X*	5-1330-1X* 5-1330X**	15-213X
	F-250	5.0L; Standard Cab; 1 Piece Driveshaft; 1.062" Cup Dia.; w/ Outside Snap Rings	A	1	5-213X*	5-1330-1X* 5-1330X**	15-213X
	F-250	5.8L; Standard Cab; 1 Piece Driveshaft; 1.062" Cup Dia.; w/ Outside Snap Rings	A	1	5-213X*	5-1330-1X* 5-1330X**	15-213X
	F-250	7.3L; Standard Cab; 1 Piece Driveshaft; 1.062" Cup Dia.; w/ Outside Snap Rings	A	1	5-213X*	5-1330-1X* 5-1330X**	15-213X
	F-250	7.5L; Standard Cab; 1 Piece Driveshaft; 1.062" Cup Dia.; w/ Outside Snap Rings	A	1	5-213X*	5-1330-1X* 5-1330X**	15-213X
	F-250	5.8L; Standard Cab; 1 Piece Driveshaft; w/ Inside & Outside Snap Rings	A	1,2	5-1204X*	5-7438X	15-1204X
	F-250	7.3L; Standard Cab; 1 Piece Driveshaft; 1.188" Cup Dia.; w/ Outside Snap Rings	A	1,2	5-178X*	5-1350-1X* 5-1350X**	15-178X
	F-250	7.5L; Standard Cab; 1 Piece Driveshaft; 1.188" Cup Dia.; w/ Outside Snap Rings	A	1,2	5-178X*	5-1350-1X* 5-1350X**	15-178X
	F-250	7.3L; Standard Cab; 2 Piece Driveshaft; 1.062" Cup Dia.; w/ Outside Snap Rings	B	1	5-213X*	5-1330-1X* 5-1330X**	15-213X
	F-250	7.5L; Standard Cab; 2 Piece Driveshaft; 1.062" Cup Dia.; w/ Outside Snap Rings	B	1	5-213X*	5-1330-1X* 5-1330X**	15-213X
	F-250	4.9L; Standard Cab; 2 Piece Driveshaft; 1.062" Cup Dia.; w/ Outside Snap Rings	B	1,2	5-213X*	5-1330-1X* 5-1330X**	15-213X
	F-250	5.0L; Standard Cab; 2 Piece Driveshaft; 1.062" Cup Dia.; w/ Outside Snap Rings	B	1,2	5-213X*	5-1330-1X* 5-1330X**	15-213X
	F-250	5.8L; Extended Cab; 2 Piece Driveshaft; 1.062" Cup Dia.; w/ Outside Snap Rings	B	1,2	5-213X*	5-1330-1X* 5-1330X**	15-213X
	F-250	5.8L; Standard Cab; 2 Piece Driveshaft; 1.062" Cup Dia.; w/ Outside Snap Rings	B	1,2	5-213X*	5-1330-1X* 5-1330X**	15-213X
	F-250	5.8L; Extended Cab; 2 Piece Driveshaft; 1.188" Cup Dia.; w/ Outside Snap Rings	B	1,2,3	5-178X*	5-1350-1X* 5-1350X**	15-178X
	F-250	7.3L; Extended Cab; 2 Piece Driveshaft; 1.188" Cup Dia.; w/ Outside Snap Rings	B	1,2,3	5-178X*	5-1350-1X* 5-1350X**	15-178X
	F-250	7.3L; Standard Cab; 2 Piece Driveshaft; 1.188" Cup Dia.; w/ Outside Snap Rings	B	1,2,3	5-178X*	5-1350-1X* 5-1350X**	15-178X
	F-250	7.5L; Extended Cab; 2 Piece Driveshaft; 1.188" Cup Dia.; w/ Outside Snap Rings	B	1,2,3	5-178X*	5-1350-1X* 5-1350X**	15-178X
	F-250	7.5L; Standard Cab; 2 Piece Driveshaft; 1.188" Cup Dia.; w/ Outside Snap Rings	B	1,2,3	5-178X*	5-1350-1X* 5-1350X**	15-178X
	F-250	4.9L; Extended Cab; 2 Piece Driveshaft; w/ Inside & Outside Snap Rings	B	1,3	5-1204X*	5-7438X	15-1204X
	F-250	5.0L; Standard Cab; 2 Piece Driveshaft; w/ Inside & Outside Snap Rings	B	1,3	5-1204X*	5-7438X	15-1204X
	F-250	4.9L; Extended Cab; 2 Piece Driveshaft; 1.062" Cup Dia.; w/ Outside Snap Rings	B	2	5-213X*	5-1330-1X* 5-1330X**	15-213X
	F-250	7.3L; Standard Cab; 2 Piece Driveshaft; w/ Inside & Outside Snap Rings	B	3	5-1204X*	5-7438X	15-1204X

\* GREASEABLE \*\* NON-GREASEABLE

RWD



**Ford (Cont'd)**

Year	Model	Description	Fig.	Location	Spicer Part #	SPL Part #	SVL Part #
1990	F-250	7.5L; Standard Cab; 2 Piece Driveshaft; w/ Inside & Outside Snap Rings	B	3	5-1204X*	5-7438X	15-1204X
1990-1991	F-250	4.9L; Standard Cab; 1 Piece Driveshaft; w/ Inside & Outside Snap Rings	A	1,2	5-1204X*	5-7438X	15-1204X
	F-250	5.0L; Standard Cab; 1 Piece Driveshaft; w/ Inside & Outside Snap Rings	A	1,2	5-1204X*	5-7438X	15-1204X
1990-1992	F-250	7.3L; Standard Cab; 1 Piece Driveshaft; w/ Inside & Outside Snap Rings	A	2	5-1204X*	5-7438X	15-1204X
	F-250	7.5L; Standard Cab; 1 Piece Driveshaft; w/ Inside & Outside Snap Rings	A	2	5-1204X*	5-7438X	15-1204X
	F-250	4.9L; Standard Cab; 2 Piece Driveshaft; w/ Inside & Outside Snap Rings	B	1,3	5-1204X*	5-7438X	15-1204X
	F-250	5.8L; Extended Cab; 2 Piece Driveshaft; w/ Inside & Outside Snap Rings	B	1,3	5-1204X*	5-7438X	15-1204X
	F-250	5.8L; Standard Cab; 2 Piece Driveshaft; w/ Inside & Outside Snap Rings	B	1,3	5-1204X*	5-7438X	15-1204X
	F-250	7.3L; Standard Cab; 2 Piece Driveshaft; w/ Inside & Outside Snap Rings	B	1,3	5-1204X*	5-7438X	15-1204X
1991	F-250	4.9L; Standard Cab; 1 Piece Driveshaft; w/ Outside Snap Rings	A	1,2	5-213X*	5-1330-1X* 5-1330X**	15-213X
	F-250	5.0L; Extended Cab; 2 Piece Driveshaft; w/ Outside Snap Rings	B	1,2	5-213X*	5-1330-1X* 5-1330X**	15-213X
	F-250	5.8L; Extended Cab; 2 Piece Driveshaft; w/ Outside Snap Rings	B	1,2,3	5-178X*	5-1350-1X* 5-1350X**	15-178X
	F-250	7.3L; Extended Cab; 2 Piece Driveshaft; w/ Outside Snap Rings	B	1,2,3	5-178X*	5-1350-1X* 5-1350X**	15-178X
	F-250	5.8L; Extended Cab; 1 Piece Driveshaft; w/ Outside Snap Rings	B	2	5-213X*	5-1330-1X* 5-1330X**	15-213X
	F-250	5.0L; Extended Cab; 2 Piece Driveshaft; w/ Inside & Outside Snap Rings	B	3	5-1204X*	5-7438X	15-1204X
1991-1992	F-250	5.0L; Standard Cab; 1 Piece Driveshaft; w/ Outside Snap Rings	A	1	5-213X*	5-1330-1X* 5-1330X**	15-213X
	F-250	5.8L; Standard Cab; 1 Piece Driveshaft; w/ Outside Snap Rings	A	1	5-213X*	5-1330-1X* 5-1330X**	15-213X
	F-250	7.3L; Standard Cab; 1 Piece Driveshaft; w/ Outside Snap Rings	A	1	5-213X*	5-1330-1X* 5-1330X**	15-213X
	F-250	7.5L; Standard Cab; 1 Piece Driveshaft; w/ Outside Snap Rings	A	1	5-213X*	5-1330-1X* 5-1330X**	15-213X
	F-250	4.9L; Extended Cab; 1 Piece Driveshaft; w/ Inside & Outside Snap Rings	A	1,2	5-1204X*	5-7438X	15-1204X
	F-250	5.8L; Extended Cab; 1 Piece Driveshaft; w/ Inside & Outside Snap Rings	A	1,2	5-1204X*	5-7438X	15-1204X
	F-250	5.8L; Standard Cab; 1 Piece Driveshaft; w/ Inside & Outside Snap Rings	A	2	5-1204X*	5-7438X	15-1204X
	F-250	7.3L; Standard Cab; 2 Piece Driveshaft; w/ Outside Snap Rings	B	1,2,3	5-178X*	5-1350-1X* 5-1350X**	15-178X
	F-250	4.9L; Standard Cab; 2 Piece Driveshaft; w/ Outside Snap Rings	B	2	5-213X*	5-1330-1X* 5-1330X**	15-213X
	F-250	5.8L; Standard Cab; 2 Piece Driveshaft; w/ Outside Snap Rings	B	2	5-213X*	5-1330-1X* 5-1330X**	15-213X
1992	F-250	4.9L; Standard Cab; 1 Piece Driveshaft; w/ Inside & Outside Snap Rings	A	2	5-1204X*	5-7438X	15-1204X
	F-250	5.0L; Standard Cab; 1 Piece Driveshaft; w/ Inside & Outside Snap Rings	A	2	5-1204X*	5-7438X	15-1204X
	F-250	5.0L; Standard Cab; 2 Piece Driveshaft; w/ Outside Snap Rings	B	1,2	5-213X*	5-1330-1X* 5-1330X**	15-213X

\* GREASEABLE \*\* NON-GREASEABLE

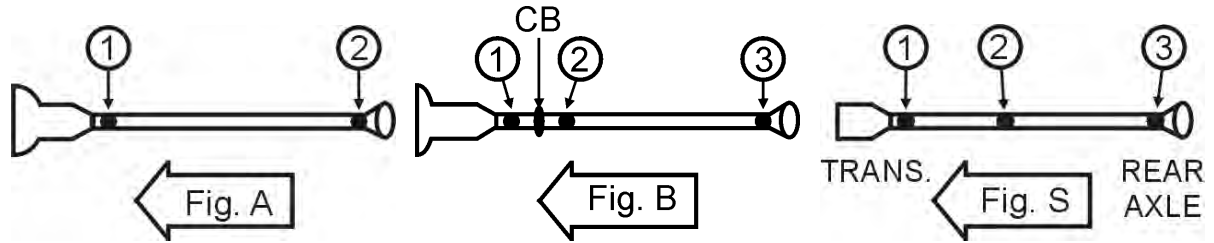
RWD

**Ford (Cont'd)**

Year	Model	Description	Fig.	Location	Spicer Part #	SPL Part #	SVL Part #
1992	F-250	5.8L; Extended Cab; 2 Piece Driveshaft; w/ Outside Snap Rings; 1.188" Cup Dia.	B	1,2,3	5-178X*	5-1350-1X* 5-1350X**	15-178X
	F-250	7.5L; Standard Cab; 2 Piece Driveshaft; w/ Outside Snap Rings	B	1,2,3	5-178X*	5-1350-1X* 5-1350X**	15-178X
	F-250	5.8L; Extended Cab; 2 Piece Driveshaft; w/ Outside Snap Rings; 1.062" Cup Dia.	B	2	5-213X*	5-1330-1X* 5-1330X**	15-213X
	F-250	5.0L; Standard Cab; 2 Piece Driveshaft; w/ Inside & Outside Snap Rings	B	3	5-1204X*	5-7438X	15-1204X
1993-1994	F-250	7.3L; 1 Piece Driveshaft; w/ Outside Snap Rings	A	1	5-213X*	5-1330-1X* 5-1330X**	15-213X
	F-250	7.5L; 1 Piece Driveshaft; w/ Outside Snap Rings	A	1	5-213X*	5-1330-1X* 5-1330X**	15-213X
	F-250	7.3L; 1 Piece Driveshaft; w/ Inside & Outside Snap Rings	A	2	5-1204X*	5-7438X	15-1204X
	F-250	7.5L; 1 Piece Driveshaft; w/ Inside & Outside Snap Rings	A	2	5-1204X*	5-7438X	15-1204X
	F-250	7.3L; Auto Trans; 2 Piece Driveshaft; w/ Outside Snap Rings	B	1,2	5-213X*	5-1330-1X* 5-1330X**	15-213X
	F-250	7.5L; Auto Trans; 2 Piece Driveshaft; w/ Outside Snap Rings	B	1,2	5-213X*	5-1330-1X* 5-1330X**	15-213X
	F-250	7.3L; Standard Trans; 2 Piece Driveshaft; w/ Outside Snap Rings	B	1,2,3	5-178X*	5-1350-1X* 5-1350X**	15-178X
	F-250	7.5L; Standard Trans; 2 Piece Driveshaft; w/ Outside Snap Rings	B	1,2,3	5-178X*	5-1350-1X* 5-1350X**	15-178X
	F-250	7.3L; Auto Trans; 2 Piece Driveshaft; w/ Inside & Outside Snap Rings	B	3	5-1204X*	5-7438X	15-1204X
	F-250	7.5L; Auto Trans; 2 Piece Driveshaft; w/ Inside & Outside Snap Rings	B	3	5-1204X*	5-7438X	15-1204X
	1993-1996	F-250	4.9L; 1 Piece Driveshaft; w/ Outside Snap Rings	A	1	5-213X*	5-1330-1X* 5-1330X**
F-250		5.8L; 1 Piece Driveshaft; w/ Outside Snap Rings	A	1	5-213X*	5-1330-1X* 5-1330X**	15-213X
F-250		4.9L; 1 Piece Driveshaft; w/ Inside & Outside Snap Rings	A	2	5-1204X*	5-7438X	15-1204X
F-250		5.8L; 1 Piece Driveshaft; w/ Inside & Outside Snap Rings	A	2	5-1204X*	5-7438X	15-1204X
F-250		4.9L; 2 Piece Driveshaft; w/ Outside Snap Rings	B	1,2	5-213X*	5-1330-1X* 5-1330X**	15-213X
F-250		5.8L; 2 Piece Driveshaft; w/ Outside Snap Rings	B	1,2	5-213X*	5-1330-1X* 5-1330X**	15-213X
F-250		4.9L; 2 Piece Driveshaft; w/ Inside & Outside Snap Rings	B	3	5-1204X*	5-7438X	15-1204X
F-250		5.8L; 2 Piece Driveshaft; w/ Inside & Outside Snap Rings	B	3	5-1204X*	5-7438X	15-1204X
1995-1996	F-250	7.3L; 1 Piece Driveshaft; w/ Outside Snap Rings	A	1,2	5-178X*	5-1350-1X* 5-1350X**	15-178X
	F-250	7.5L; 1 Piece Driveshaft; w/ Outside Snap Rings	A	1,2	5-178X*	5-1350-1X* 5-1350X**	15-178X
	F-250	7.3L; 2 Piece Driveshaft; w/ Outside Snap Rings	B	1,2,3	5-178X*	5-1350-1X* 5-1350X**	15-178X
	F-250	7.5L; 2 Piece Driveshaft; w/ Outside Snap Rings	B	1,2,3	5-178X*	5-1350-1X* 5-1350X**	15-178X
1997	F-250	4.6L; 1 Piece Driveshaft; w/ Outside Snap Rings	A	1,2	5-178X*	5-1350-1X* 5-1350X**	15-178X
	F-250	5.4L; 1 Piece Driveshaft; w/ Outside Snap Rings	A	1,2	5-178X*	5-1350-1X* 5-1350X**	15-178X
	F-250	4.6L; 2 Piece Driveshaft; w/ Outside Snap Rings	B	1,2,3	5-178X*	5-1350-1X* 5-1350X**	15-178X
	F-250	5.4L; 2 Piece Driveshaft; w/ Outside Snap Rings	B	1,2,3	5-178X*	5-1350-1X* 5-1350X**	15-178X
1998-1999	F-250	1 Piece Driveshaft	A	1,2	5-178X*	5-1350-1X* 5-1350X**	15-178X
	F-250	2 Piece Driveshaft	B	1,2,3	5-178X*	5-1350-1X* 5-1350X**	15-178X
1999	F-250	Bearing I.D. 1.378"	B	CB	211175X		

\* GREASEABLE \*\* NON-GREASEABLE

RWD



**Ford (Cont'd)**

Year	Model	Description	Fig.	Location	Spicer Part #	SPL Part #	SVL Part #
1999	F-250	Bearing I.D. 1.574"	B	CB	211359X		
1999-2000	F-250 Super Duty	Bearing I.D. 1.378"	B	CB	211175X		
1999-2004	F-250 Super Duty	1 Piece Driveshaft; w/ 3.625" O.D. Yoke	A	1,2	5-178X*	5-1350-1X* 5-1350X**	15-178X
	F-250 Super Duty	1 Piece Driveshaft; w/ 4.188" O.D. Yoke	A	1,2	5-160X*	5-1410-1X* 5-1410X**	15-160X
	F-250 Super Duty	2 Piece Driveshaft; w/ 3.625" O.D. Yoke	B	1,2,3	5-178X*	5-1350-1X* 5-1350X**	15-178X
	F-250 Super Duty	2 Piece Driveshaft; w/ 4.188" O.D. Yoke	B	1,2,3	5-160X*	5-1410-1X* 5-1410X**	15-160X
1999-2007	F-250 Super Duty	Bearing I.D. 1.574"	B	CB	211359X		
2005-2010	F-250 Super Duty	2 Piece Driveshaft	B	1,2,3	5-160X*	5-1410-1X* 5-1410X**	15-160X
2016	F-250 Super Duty	V8 6.2L; 1 Piece Driveshaft	A	1,2	5-160X*	5-1410-1X* 5-1410X**	15-160X
	F-250 Super Duty	V8 6.7L; 1 Piece Driveshaft	A	1,2	5-160X*	5-1410-1X* 5-1410X**	15-160X
	F-250 Super Duty	V8 6.2L; 2 Piece Driveshaft	S	1,2,3	5-160X*	5-1410-1X* 5-1410X**	15-160X
	F-250 Super Duty	V8 6.7L; 2 Piece Driveshaft	S	1,2,3	5-160X*	5-1410-1X* 5-1410X**	15-160X
2017	F-250 Super Duty	1 Piece Driveshaft	A	1,2	5-160X*	5-1410-1X* 5-1410X**	15-160X
	F-250 Super Duty	2 Piece Driveshaft	S	1,2,3	5-160X*	5-1410-1X* 5-1410X**	15-160X
1953-1966	F-350	1 Piece Driveshaft	A	1,2	5-153X*	5-1310-1X* 5-1310X**	15-153X
	F-350	2 Piece Driveshaft	B	1,2,3	5-153X*	5-1310-1X* 5-1310X**	15-153X
1967	F-350	5.8L	B	1	5-153X*	5-1310-1X* 5-1310X**	15-153X
	F-350	5.8L	B	2,3	5-134X*		15-134X
1967-1974	F-350	3.9L	B	1	5-153X*	5-1310-1X* 5-1310X**	15-153X
	F-350	4.9L	B	1	5-153X*	5-1310-1X* 5-1310X**	15-153X
	F-350	3.9L	B	2,3	5-134X*		15-134X
	F-350	4.9L	B	2,3	5-134X*		15-134X
1968-1974	F-350	5.9L	B	1	5-153X*	5-1310-1X* 5-1310X**	15-153X
	F-350	6.4L	B	1	5-213X*	5-1330-1X* 5-1330X**	15-213X
	F-350	5.9L	B	2,3	5-134X*		15-134X
	F-350	6.4L	B	2,3	5-178X*	5-1350-1X* 5-1350X**	15-178X
1972-1974	F-350	5.0L	B	1	5-153X*	5-1310-1X* 5-1310X**	15-153X
	F-350	5.0L	B	2,3	5-134X*		15-134X
1973-1974	F-350	7.5L	B	1	5-213X*	5-1330-1X* 5-1330X**	15-213X
	F-350	7.5L	B	2,3	5-178X*	5-1350-1X* 5-1350X**	15-178X

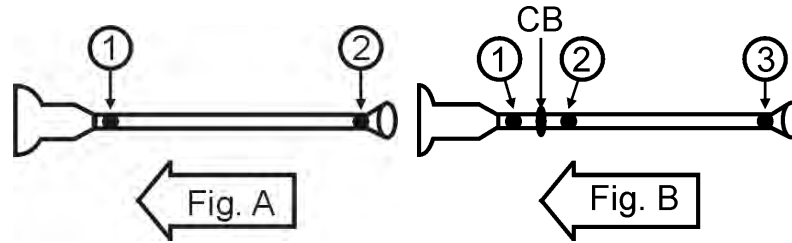
\* GREASEABLE \*\* NON-GREASEABLE

RWD

**Ford (Cont'd)**

Year	Model	Description	Fig.	Location	Spicer Part #	SPL Part #	SVL Part #	
1975-1976	F-350	155.0" WB	B	1	5-153X*	5-1310-1X* 5-1310X**	15-153X	
	F-350	4.9L; 137.0" WB	B	1,2,3	5-213X*	5-1330-1X* 5-1330X**	15-213X	
	F-350	5.0L; 137.0" WB	B	1,2,3	5-213X*	5-1330-1X* 5-1330X**	15-213X	
	F-350	5.9L; 137.0" WB	B	1,2,3	5-213X*	5-1330-1X* 5-1330X**	15-213X	
	F-350	6.4L; 137.0" WB	B	1,2,3	5-178X*	5-1350-1X* 5-1350X**	15-178X	
	F-350	7.5L; 137.0" WB	B	1,2,3	5-178X*	5-1350-1X* 5-1350X**	15-178X	
	F-350	155.0" WB	B	2,3	5-178X*	5-1350-1X* 5-1350X**	15-178X	
1975-1983	F-350	Bearing I.D. 1.574"	B	CB	211359X			
1975-1995	F-350	Bearing I.D. 1.378"	B	CB	211175X			
1977-1978	F-350	6.6L; Auto Trans; 1.062" Cup Dia.	B	1	5-213X*	5-1330-1X* 5-1330X**	15-213X	
	F-350	7.5L; Auto Trans; 1.062" Cup Dia.	B	1	5-213X*	5-1330-1X* 5-1330X**	15-213X	
	F-350	4.9L; 1.062" Cup Dia.	B	1,2,3	5-213X*	5-1330-1X* 5-1330X**	15-213X	
	F-350	5.0L; 1.062" Cup Dia.	B	1,2,3	5-213X*	5-1330-1X* 5-1330X**	15-213X	
	F-350	5.8L; 1.062" Cup Dia.	B	1,2,3	5-213X*	5-1330-1X* 5-1330X**	15-213X	
	F-350	6.6L; Standard Trans; 1.188" Cup Dia.	B	1,2,3	5-178X*	5-1350-1X* 5-1350X**	15-178X	
	F-350	7.5L; Standard Trans; 1.188" Cup Dia.	B	1,2,3	5-178X*	5-1350-1X* 5-1350X**	15-178X	
	F-350	4.9L; 1.188" Cup Dia.	B	2,3	5-178X*	5-1350-1X* 5-1350X**	15-178X	
	F-350	5.0L; 1.188" Cup Dia.	B	2,3	5-178X*	5-1350-1X* 5-1350X**	15-178X	
	F-350	5.8L; 1.188" Cup Dia.	B	2,3	5-178X*	5-1350-1X* 5-1350X**	15-178X	
	F-350	6.6L; Auto Trans; 1.188" Cup Dia.	B	2,3	5-178X*	5-1350-1X* 5-1350X**	15-178X	
	F-350	7.5L; Auto Trans; 1.188" Cup Dia.	B	2,3	5-178X*	5-1350-1X* 5-1350X**	15-178X	
	1979	F-350		B	1	5-213X*	5-1330-1X* 5-1330X**	15-213X
		F-350	1.062" Cup Dia.	B	2	5-213X*	5-1330-1X* 5-1330X**	15-213X
F-350		1.188" Cup Dia.	B	2,3	5-178X*	5-1350-1X* 5-1350X**	15-178X	
F-350		1.125" Cup Dia.	B	3	5-1204X*	5-7438X	15-1204X	
1980-1981	F-350	2 Piece Driveshaft	B	1,2	5-213X*	5-1330-1X* 5-1330X**	15-213X	
1980-1983	F-350	2 Piece Driveshaft	B	3	5-1204X*	5-7438X	15-1204X	
1980-1986	F-350	1 Piece Driveshaft	A	1	5-213X*	5-1330-1X* 5-1330X**	15-213X	
	F-350	1 Piece Driveshaft	A	2	5-1204X*	5-7438X	15-1204X	
1982-1983	F-350	2 Piece Driveshaft; w/ U-Bolts	B	1	5-1204X*	5-7438X	15-1204X	
	F-350	2 Piece Driveshaft; w/o U-Bolts	B	1	5-213X*	5-1330-1X* 5-1330X**	15-213X	
	F-350	2 Piece Driveshaft	B	2	5-213X*	5-1330-1X* 5-1330X**	15-213X	
1984-1986	F-350	Standard Trans; 2 Piece Driveshaft	B	1	5-1204X*	5-7438X	15-1204X	
	F-350	Auto Trans; 2 Piece Driveshaft	B	1,2	5-213X*	5-1330-1X* 5-1330X**	15-213X	
	F-350	Standard Trans; 2 Piece Driveshaft	B	2	5-213X*	5-1330-1X* 5-1330X**	15-213X	
	F-350	Auto Trans; 2 Piece Driveshaft	B	3	5-1204X*	5-7438X	15-1204X	

\* GREASEABLE \*\* NON-GREASEABLE



Ford (Cont'd)

Year	Model	Description	Fig.	Location	Spicer Part #	SPL Part #	SVL Part #
1984-1986	F-350	Standard Trans; 2 Piece Driveshaft	B	3	5-1204X*	5-7438X	15-1204X
1987	F-350	Auto Trans; 3 Speed; 1 Piece Driveshaft	A	1	5-213X*	5-1330-1X* 5-1330X**	15-213X
	F-350	Standard Trans; 5 Speed; 1 Piece Driveshaft	A	1,2	5-178X*	5-1350-1X* 5-1350X**	15-178X
	F-350	Auto Trans; 3 Speed; 1 Piece Driveshaft	A	2	5-1204X*	5-7438X	15-1204X
	F-350	Auto Trans; 3 Speed; 2 Piece Driveshaft; w/ Outside Snap Rings	B	1,2	5-213X*	5-1330-1X* 5-1330X**	15-213X
	F-350	Standard Trans; 5 Speed; 2 Piece Driveshaft; w/ Outside Snap Rings	B	1,2,3	5-178X*	5-1350-1X* 5-1350X**	15-178X
1988	F-350	Auto Trans; 3 Speed; 1 Piece Driveshaft; 1.062" Cup Dia.	A	1	5-213X*	5-1330-1X* 5-1330X**	15-213X
	F-350	Standard Trans; 5 Speed; 1 Piece Driveshaft; 1.188" Cup Dia.	A	1,2	5-178X*	5-1350-1X* 5-1350X**	15-178X
	F-350	Auto Trans; 3 Speed; 1 Piece Driveshaft; 1.125" Cup Dia.	A	2	5-1204X*	5-7438X	15-1204X
	F-350	Standard Trans; 5 Speed; 2 Piece Driveshaft; w/ Outside Snap Rings; 1.188" Cup Dia.	B	1,2,3	5-178X*	5-1350-1X* 5-1350X**	15-178X
	F-350	Standard Trans; 5 Speed; 2 Piece Driveshaft; w/ Inside & Outside Snap Rings; 1.125" Cup Dia.	B	1,3	5-1204X*	5-7438X	15-1204X
	F-350	Standard Trans; 5 Speed; 2 Piece Driveshaft; w/ Outside Snap Rings; 1.062" Cup Dia.	B	2	5-213X*	5-1330-1X* 5-1330X**	15-213X
1989	F-350	3 Speed; 1 Piece Driveshaft	A	1	5-213X*	5-1330-1X* 5-1330X**	15-213X
	F-350	4 Speed; 1 Piece Driveshaft	A	1	5-213X*	5-1330-1X* 5-1330X**	15-213X
	F-350	4.9L; 133.0" WB; Standard Trans; 5 Speed; 1 Piece Driveshaft	A	1	5-213X*	5-1330-1X* 5-1330X**	15-213X
	F-350	7.3L; Standard Trans; 5 Speed; 1 Piece Driveshaft	A	1,2	5-178X*	5-1350-1X* 5-1350X**	15-178X
	F-350	7.5L; Standard Trans; 5 Speed; 1 Piece Driveshaft	A	1,2	5-178X*	5-1350-1X* 5-1350X**	15-178X
	F-350	3 Speed; 1 Piece Driveshaft	A	2	5-1204X*	5-7438X	15-1204X
	F-350	4 Speed; 1 Piece Driveshaft	A	2	5-1204X*	5-7438X	15-1204X
	F-350	4.9L; 133.0" WB; Standard Trans; 5 Speed; 1 Piece Driveshaft	A	2	5-1204X*	5-7438X	15-1204X
	F-350	4.9L; 137.0" WB; Standard Trans; 5 Speed; 2 Piece Driveshaft	B	1	5-1204X*	5-7438X	15-1204X
	F-350	4.9L; 160.8" WB; Standard Trans; 5 Speed; 2 Piece Driveshaft	B	1	5-1204X*	5-7438X	15-1204X
	F-350	4.9L; 168.4" WB; Standard Trans; 5 Speed; 2 Piece Driveshaft	B	1	5-1204X*	5-7438X	15-1204X
	F-350	5.8L; 133.0" WB; Standard Trans; 5 Speed; 2 Piece Driveshaft	B	1	5-213X*	5-1330-1X* 5-1330X**	15-213X
	F-350	5.8L; 137.0" WB; Standard Trans; 5 Speed; 2 Piece Driveshaft	B	1	5-1204X*	5-7438X	15-1204X
	F-350	5.8L; 160.8" WB; Standard Trans; 5 Speed; 2 Piece Driveshaft	B	1	5-1204X*	5-7438X	15-1204X
	F-350	5.8L; 168.4" WB; Standard Trans; 5 Speed; 2 Piece Driveshaft	B	1	5-1204X*	5-7438X	15-1204X
	F-350	3 Speed; 2 Piece Driveshaft	B	1,2,3	5-178X*	5-1350-1X* 5-1350X**	15-178X

\* GREASEABLE \*\* NON-GREASEABLE

RWD

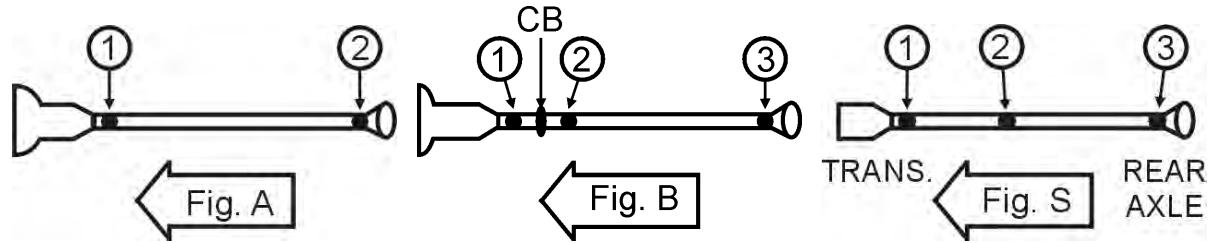
**Ford (Cont'd)**

Year	Model	Description	Fig.	Location	Spicer Part #	SPL Part #	SVL Part #
1989	F-350	4 Speed; 2 Piece Driveshaft	B	1,2,3	5-178X*	5-1350-1X* 5-1350X**	15-178X
	F-350	5.8L; 137.0" WB; Standard Trans; 5 Speed; 2 Piece Driveshaft	B	2,3	5-178X*	5-1350-1X* 5-1350X**	15-178X
	F-350	5.8L; 160.8" WB; Standard Trans; 5 Speed; 2 Piece Driveshaft	B	2,3	5-178X*	5-1350-1X* 5-1350X**	15-178X
	F-350	5.8L; 168.4" WB; Standard Trans; 5 Speed; 2 Piece Driveshaft	B	2,3	5-178X*	5-1350-1X* 5-1350X**	15-178X
	F-350	5.8L; 133.0" WB; Standard Trans; 5 Speed; 2 Piece Driveshaft	B	3	5-1204X*	5-7438X	15-1204X
1990-1991	F-350	1 Piece Driveshaft; 1.062" Cup Dia.; w/ Outside Snap Rings	A	1	5-213X*	5-1330-1X* 5-1330X**	15-213X
	F-350	1 Piece Driveshaft; w/ Inside & Outside Snap Rings	A	2	5-1204X*	5-7438X	15-1204X
1990-1994	F-350	2 Piece Driveshaft; w/ Inside & Outside Snap Rings	B	1,3	5-1204X*	5-7438X	15-1204X
1992-1993	F-350	1 Piece Driveshaft; 1.062" Cup Dia.; w/ Outside Snap Rings	A	1	5-178X*	5-1350-1X* 5-1350X**	15-178X
	F-350	1 Piece Driveshaft; w/ Inside & Outside Snap Rings	A	2	5-213X*	5-1330-1X* 5-1330X**	15-213X
	F-350	2 Piece Driveshaft; 1.062" Cup Dia.; w/ Outside Snap Rings	B	1	5-1204X*	5-7438X	15-1204X
	F-350	2 Piece Driveshaft; 1.188" Cup Dia.; w/ Outside Snap Rings	B	1	5-1204X*	5-7438X	15-1204X
	F-350	2 Piece Driveshaft; 1.062" Cup Dia.; w/ Outside Snap Rings	B	2	5-213X*	5-1330-1X* 5-1330X**	15-213X
	F-350	2 Piece Driveshaft; 1.188" Cup Dia.; w/ Outside Snap Rings	B	2,3	5-178X*	5-1350-1X* 5-1350X**	15-178X
1994	F-350	1 Piece Driveshaft; 1.062" Cup Dia.; w/ Outside Snap Rings	A	1	5-213X*	5-1330-1X* 5-1330X**	15-213X
	F-350	1 Piece Driveshaft; w/ Inside & Outside Snap Rings	A	2	5-1204X*	5-7438X	15-1204X
	F-350	2 Piece Driveshaft; 1.062" Cup Dia.; w/ Outside Snap Rings	B	1,2	5-213X*	5-1330-1X* 5-1330X**	15-213X
	F-350	2 Piece Driveshaft; 1.188" Cup Dia.; w/ Outside Snap Rings	B	1,2,3	5-178X*	5-1350-1X* 5-1350X**	15-178X
1995-1996	F-350	4.9L; 1 Piece Driveshaft	A	1	5-213X*	5-1330-1X* 5-1330X**	15-213X
	F-350	5.8L; 1 Piece Driveshaft; 1.062" Cup Dia.	A	1	5-213X*	5-1330-1X* 5-1330X**	15-213X
	F-350	5.8L; 1 Piece Driveshaft; 1.188" Cup Dia.	A	1,2	5-178X*	5-1350-1X* 5-1350X**	15-178X
	F-350	4.9L; 1 Piece Driveshaft	A	2	5-1204X*	5-7438X	15-1204X
	F-350	5.8L; 1 Piece Driveshaft; 1.125" Cup Dia.	A	2	5-1204X*	5-7438X	15-1204X
	F-350	4.9L; 2 Piece Driveshaft	B	1,2	5-213X*	5-1330-1X* 5-1330X**	15-213X
	F-350	5.8L; 2 Piece Driveshaft; 1.062" Cup Dia.	B	1,2	5-213X*	5-1330-1X* 5-1330X**	15-213X
	F-350	5.8L; 2 Piece Driveshaft; 1.188" Cup Dia.	B	1,2,3	5-178X*	5-1350-1X* 5-1350X**	15-178X
	F-350	4.9L; 2 Piece Driveshaft	B	3	5-1204X*	5-7438X	15-1204X
	F-350	5.8L; 2 Piece Driveshaft; 1.125" Cup Dia.	B	3	5-1204X*	5-7438X	15-1204X
1995-1997	F-350	7.3L; 1 Piece Driveshaft	A	1,2	5-178X*	5-1350-1X* 5-1350X**	15-178X
	F-350	7.5L; 1 Piece Driveshaft	A	1,2	5-178X*	5-1350-1X* 5-1350X**	15-178X
	F-350	7.3L; 2 Piece Driveshaft	B	1,2,3	5-178X*	5-1350-1X* 5-1350X**	15-178X
	F-350	7.5L; 2 Piece Driveshaft	B	1,2,3	5-178X*	5-1350-1X* 5-1350X**	15-178X
1997	F-350	5.8L; 133.0" WB; Auto Trans; 1 Piece Driveshaft	A	1	5-213X*	5-1330-1X* 5-1330X**	15-213X
	F-350	5.8L; 133.0" WB; Auto Trans; 1 Piece Driveshaft	A	2	5-1204X*	5-7438X	15-1204X

\* GREASEABLE \*\* NON-GREASEABLE

D W D





**Ford (Cont'd)**

Year	Model	Description	Fig.	Location	Spicer Part #	SPL Part #	SVL Part #
1997	F-350	5.8L; 137.0" WB; Standard Trans; 2 Piece Driveshaft	B	1	5-1204X*	5-7438X	15-1204X
	F-350	5.8L; 160.8" WB; Standard Trans; 2 Piece Driveshaft	B	1	5-1204X*	5-7438X	15-1204X
	F-350	5.8L; 137.0" WB; Auto Trans; 2 Piece Driveshaft	B	1,2,3	5-178X*	5-1350-1X* 5-1350X**	15-178X
	F-350	5.8L; 160.8" WB; Auto Trans; 2 Piece Driveshaft	B	1,2,3	5-178X*	5-1350-1X* 5-1350X**	15-178X
	F-350	5.8L; 168.4" WB; Auto Trans; 2 Piece Driveshaft	B	1,2,3	5-178X*	5-1350-1X* 5-1350X**	15-178X
	F-350	5.8L; 137.0" WB; Standard Trans; 2 Piece Driveshaft	B	2,3	5-213X*	5-1330-1X* 5-1330X**	15-213X
	F-350	5.8L; 160.8" WB; Standard Trans; 2 Piece Driveshaft	B	2,3	5-213X*	5-1330-1X* 5-1330X**	15-213X
1999-2002	F-350 Super Duty	Bearing I.D. 1.378"	B	CB	211175X		
1999-2004	F-350 Super Duty	1 Piece Driveshaft; w/ 3.625" O.D. Yoke	A	1,2	5-178X*	5-1350-1X* 5-1350X**	15-178X
	F-350 Super Duty	1 Piece Driveshaft; w/ 4.188" O.D. Yoke	A	1,2	5-160X*	5-1410-1X* 5-1410X**	15-160X
	F-350 Super Duty	2 Piece Driveshaft; w/ 3.625" O.D. Yoke	B	1,2,3	5-178X*	5-1350-1X* 5-1350X**	15-178X
	F-350 Super Duty	2 Piece Driveshaft; w/ 4.188" O.D. Yoke	B	1,2,3	5-160X*	5-1410-1X* 5-1410X**	15-160X
2000-2014	F-350 Super Duty	Bearing I.D. 1.574"	B	CB	211359X		
2005-2006	F-350 Super Duty	1 Piece Driveshaft	A	1,2	5-160X*	5-1410-1X* 5-1410X**	15-160X
	F-350 Super Duty	2 Piece Driveshaft	B	1,2,3	5-160X*	5-1410-1X* 5-1410X**	15-160X
2007-2013	F-350 Super Duty	Crew Cab; 1 Piece Driveshaft	A	1,2	5-160X*	5-1410-1X* 5-1410X**	15-160X
	F-350 Super Duty	Extended Cab; 1 Piece Driveshaft	A	1,2	5-160X*	5-1410-1X* 5-1410X**	15-160X
	F-350 Super Duty	Standard Cab; 1 Piece Driveshaft	A	1,2	5-160X*	5-1410-1X* 5-1410X**	15-160X
	F-350 Super Duty	Cab & Chassis; 2 Piece Driveshaft	B	1,2,3	5-188X*	SPL55-1X* SPL55X**	15-188X
	F-350 Super Duty	Crew Cab; 2 Piece Driveshaft	B	1,2,3	5-160X*	5-1410-1X* 5-1410X**	15-160X
	F-350 Super Duty	Extended Cab; 2 Piece Driveshaft	B	1,2,3	5-160X*	5-1410-1X* 5-1410X**	15-160X
	F-350 Super Duty	Standard Cab; 2 Piece Driveshaft	B	1,2,3	5-160X*	5-1410-1X* 5-1410X**	15-160X
2014-2015	F-350 Super Duty	Exc. Cab & Chassis; 1 Piece Driveshaft	A	1,2	5-160X*	5-1410-1X* 5-1410X**	15-160X
2016	F-350 Super Duty	V8 6.2L; Exc. Cab & Chassis; 1 Piece Driveshaft	A	1,2	5-160X*	5-1410-1X* 5-1410X**	15-160X
	F-350 Super Duty	V8 6.7L; Exc. Cab & Chassis; 1 Piece Driveshaft	A	1,2	5-160X*	5-1410-1X* 5-1410X**	15-160X
	F-350 Super Duty	V8 6.2L; Exc. Cab & Chassis; 2 Piece Driveshaft	S	1,2,3	5-160X*	5-1410-1X* 5-1410X**	15-160X
	F-350 Super Duty	V8 6.7L; Exc. Cab & Chassis; 2 Piece Driveshaft	S	1,2,3	5-160X*	5-1410-1X* 5-1410X**	15-160X
2017	F-350 Super Duty	Exc. King Ranch; Exc. Cab & Chassis; 1 Piece Driveshaft	A	1,2	5-160X*	5-1410-1X* 5-1410X**	15-160X

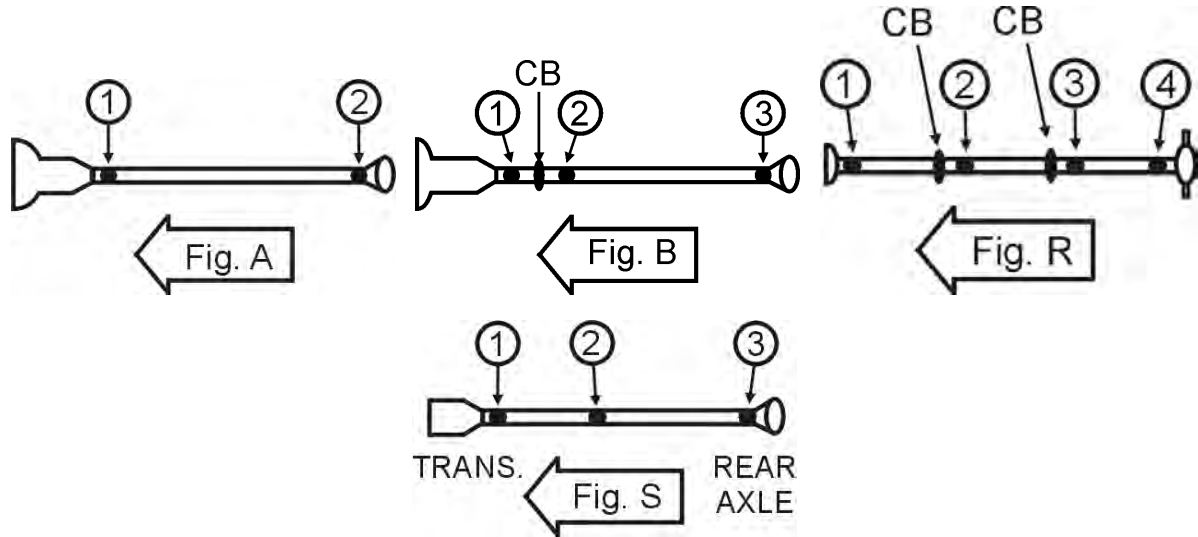
\* GREASEABLE \*\* NON-GREASEABLE

R  
W  
D

**Ford (Cont'd)**

Year	Model	Description	Fig.	Location	Spicer Part #	SPL Part #	SVL Part #
2017	F-350 Super Duty	Exc. Cab & Chassis; 2 Piece Driveshaft	S	1,2,3	5-160X*	5-1410-1X* 5-1410X**	15-160X
1999-2017	F-450 Super Duty	3 Piece Driveshaft	R	1,2,3,4	5-188X*	SPL55-1X* SPL55X**	15-188X
	F-450 Super Duty	2 Piece Driveshaft	S	1,2,3	5-188X*	SPL55-1X* SPL55X**	15-188X
1975-1977	F-500	Bearing I.D. 1.378"	B	CB	211175X		
	F-500	Bearing I.D. 1.574"	B	CB	211359X		
1989-1996	F53		B	1,2,3	5-160X*	5-1410-1X* 5-1410X**	15-160X
1999	F53		B	1,2,3	5-188X*	SPL55-1X* SPL55X**	15-188X
2011-2017	F53	2 Piece Driveshaft	S	1,2,3	5-188X*	SPL55-1X* SPL55X**	15-188X
1999-2017	F-550 Super Duty	3 Piece Driveshaft	R	1,2,3,4	5-188X*	SPL55-1X* SPL55X**	15-188X
	F-550 Super Duty	2 Piece Driveshaft	S	1,2,3	5-188X*	SPL55-1X* SPL55X**	15-188X
1988-1997	F59		B	1,2,3	5-160X*	5-1410-1X* 5-1410X**	15-160X
2014-2017	F59	2 Piece Driveshaft	S	1,2,3	5-188X*	SPL55-1X* SPL55X**	15-188X
1995-1998	F700	Complete Shaft Assembly	B	CB	210873-1X		
1973	M-400	Bearing I.D. 1.574"	B	CB	211359X		
1974	M-450	Bearing I.D. 1.574"	B	CB	211359X		
1957-1973	P-100	Parcel Delivery	B	1,2,3	5-153X*	5-1310-1X* 5-1310X**	15-153X
1960-1964	P-100	2.4L; Exc. Parcel Delivery	B	1,2,3	5-134X*		15-134X
	P-100	3.6L; Exc. Parcel Delivery	B	1,2,3	5-134X*		15-134X
1968-1970	P-100	2.8L; Exc. Parcel Delivery	B	1,2,3	5-134X*		15-134X
	P-100	3.9L; Exc. Parcel Delivery	B	1,2,3	5-134X*		15-134X
1971-1973	P-100	Exc. Parcel Delivery	B	1,2,3	5-134X*		15-134X
1975-1976	P-400	Bearing I.D. 1.574"	B	CB	211359X		
1975-1977	P-500	Bearing I.D. 1.574"	B	CB	211359X		
1965-1974	Ranchero	w/ 3.500" O.D. Yoke	A	1	5-1200X		
	Ranchero	w/ 3.875" O.D. Yoke	A	1	5-1203X*		
	Ranchero	w/ 3.500" O.D. Yoke	A	2		5-7439X	
	Ranchero	w/ 3.875" O.D. Yoke	A	2	5-1204X*	5-7438X	15-1204X
1975-1977	Ranchero	5.8L; w/ 3.500" O.D. Yoke	A	1	5-153X*	5-1310-1X* 5-1310X**	15-153X
	Ranchero	5.8L; w/ 3.875" O.D. Yoke	A	1	5-213X*	5-1330-1X* 5-1330X**	15-213X
	Ranchero	6.6L; 7.5L	A	1	5-213X*	5-1330-1X* 5-1330X**	15-213X
	Ranchero	5.8L; w/ 3.500" O.D. Yoke	A	2		5-7439X	
	Ranchero	5.8L; w/ 3.875" O.D. Yoke	A	2	5-1204X*	5-7438X	15-1204X
	Ranchero	6.6L; 7.5L	A	2	5-1204X*	5-7438X	15-1204X
	Ranchero	5.0L	A	1	5-153X*	5-1310-1X* 5-1310X**	15-153X
1977	Ranchero	5.0L	A	2		5-7439X	
	Ranchero		A	1	5-213X*	5-1330-1X* 5-1330X**	15-213X
1978-1979	Ranchero		A	2	5-1204X*	5-7438X	15-1204X
	Ranchero		A	1,2	5-153X*	5-1310-1X* 5-1310X**	15-153X
1983-1985	Ranger		A	1,2	5-153X*	5-1310-1X* 5-1310X**	15-153X
1986-1987	Ranger	Extended Cab; 2 Piece Driveshaft	B	1,2,3	5-443X		
1988-1989	Ranger	Standard Cab; 1 Piece Driveshaft; w/o U-Bolts	A	1	5-153X*	5-1310-1X* 5-1310X**	15-153X
	Ranger	Standard Cab; 1 Piece Driveshaft; w/o U-Bolts	A	2		5-7439X	
	Ranger	Extended Cab; 2 Piece Driveshaft; w/ 2.750" O.D. Yoke	B	1	5-443X		

\* GREASEABLE \*\* NON-GREASEABLE



**Ford (Cont'd)**

Year	Model	Description	Fig.	Location	Spicer Part #	SPL Part #	SVL Part #
1988-1989	Ranger	Extended Cab; 2 Piece Driveshaft; w/ 3.500" O.D. Yoke	B	1	5-153X*	5-1310-1X* 5-1310X**	15-153X
1990-1997	Ranger	Standard Cab; 1 Piece Driveshaft	A	1,2	5-153X*	5-1310-1X* 5-1310X**	15-153X
	Ranger	Extended Cab; 2 Piece Driveshaft	B	1,2,3	5-153X*	5-1310-1X* 5-1310X**	15-153X
1995-1997	Ranger	125.0" WB	B	CB	211872-1X		
1998-2011	Ranger		A	1,2	5-213X*	5-1330-1X* 5-1330X**	15-213X
2015-2017	Transit-150	2 Piece Driveshaft; Dual Rear Wheels	S	1,2,3	5-160X*	5-1410-1X* 5-1410X**	15-160X
	Transit-150	2 Piece Driveshaft; Single Rear Wheels	S	1,2,3	5-178X*	5-1350-1X* 5-1350X**	15-178X
2015-2017	Transit-250	3 Piece Driveshaft; Dual Rear Wheels	R	1,2,3,4	5-160X*	5-1410-1X* 5-1410X**	15-160X
	Transit-250	3 Piece Driveshaft; Single Rear Wheels	R	1,2,3,4	5-178X*	5-1350-1X* 5-1350X**	15-178X
	Transit-250	2 Piece Driveshaft; Dual Rear Wheels	S	1,2,3	5-160X*	5-1410-1X* 5-1410X**	15-160X
	Transit-250	2 Piece Driveshaft; Single Rear Wheels	S	1,2,3	5-178X*	5-1350-1X* 5-1350X**	15-178X
2015-2017	Transit-350	3 Piece Driveshaft; Dual Rear Wheels	R	1,2,3,4	5-160X*	5-1410-1X* 5-1410X**	15-160X
	Transit-350	3 Piece Driveshaft; Single Rear Wheels	R	1,2,3,4	5-178X*	5-1350-1X* 5-1350X**	15-178X
	Transit-350	2 Piece Driveshaft; Dual Rear Wheels	S	1,2,3	5-160X*	5-1410-1X* 5-1410X**	15-160X
	Transit-350	2 Piece Driveshaft; Single Rear Wheels	S	1,2,3	5-178X*	5-1350-1X* 5-1350X**	15-178X
2015-2017	Transit-350 HD	3 Piece Driveshaft; Dual Rear Wheels	R	1,2,3,4	5-160X*	5-1410-1X* 5-1410X**	15-160X
	Transit-350 HD	3 Piece Driveshaft; Single Rear Wheels	R	1,2,3,4	5-178X*	5-1350-1X* 5-1350X**	15-178X
	Transit-350 HD	2 Piece Driveshaft; Dual Rear Wheels	S	1,2,3	5-160X*	5-1410-1X* 5-1410X**	15-160X
	Transit-350 HD	2 Piece Driveshaft; Single Rear Wheels	S	1,2,3	5-178X*	5-1350-1X* 5-1350X**	15-178X

**Geo**

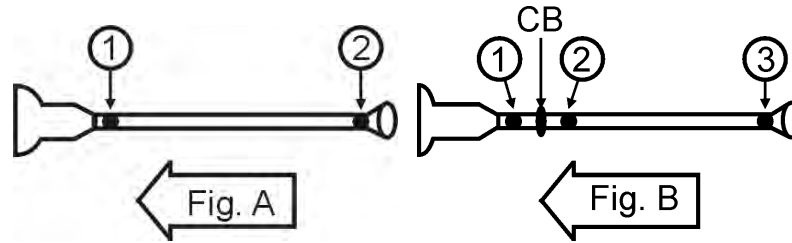
Year	Model	Description	Fig.	Location	Spicer Part #	SPL Part #	SVL Part #
1989-1997	Tracker		A	1,2	5-1503X		

\* GREASEABLE \*\* NON-GREASEABLE

**GMC**

Year	Model	Description	Fig.	Location	Spicer Part #	SPL Part #	SVL Part #
1960-1962	1000 Series		B	CB	210527X		
1960-1965	1000 Series	1 Piece Driveshaft	A	1,2	5-153X*	5-1310-1X* 5-1310X**	15-153X
	1000 Series	2 Piece Driveshaft; 1.062" Cup Dia.	B	1	5-153X*	5-1310-1X* 5-1310X**	15-153X
	1000 Series	2 Piece Driveshaft; 1.188" Cup Dia.	B	1	5-178X*	5-1350-1X* 5-1350X**	15-178X
	1000 Series	2 Piece Driveshaft	B	2,3	5-153X*	5-1310-1X* 5-1310X**	15-153X
1954	100-24	Standard Trans; 4 Speed; Late	B	1	5-153X*	5-1310-1X* 5-1310X**	15-153X
	100-24	Standard Trans; 3 Speed; Late	B	1,2,3	5-153X*	5-1310-1X* 5-1310X**	15-153X
	100-24	Standard Trans; 4 Speed; Late	B	2	5-178X*	5-1350-1X* 5-1350X**	15-178X
	100-24	Standard Trans; 4 Speed; Late	B	3	5-153X*	5-1310-1X* 5-1310X**	15-153X
1951-1953	150		B	2,3	5-178X*	5-1350-1X* 5-1350X**	15-178X
1955-1959	150	Standard Trans; 3 Speed	A	1	5-153X*	5-1310-1X* 5-1310X**	15-153X
	150	Auto Trans	A	1,2	5-178X*	5-1350-1X* 5-1350X**	15-178X
	150	Standard Trans; 4 Speed	A	1,2	5-178X*	5-1350-1X* 5-1350X**	15-178X
1960-1962	1500 Series		B	CB	210527X		
1960-1965	1500 Series	1 Piece Driveshaft	A	1,2	5-153X*	5-1310-1X* 5-1310X**	15-153X
	1500 Series	2 Piece Driveshaft; 1.062" Cup Dia.	B	1	5-153X*	5-1310-1X* 5-1310X**	15-153X
	1500 Series	2 Piece Driveshaft; 1.188" Cup Dia.	B	1	5-178X*	5-1350-1X* 5-1350X**	15-178X
	1500 Series	2 Piece Driveshaft	B	2,3	5-153X*	5-1310-1X* 5-1310X**	15-153X
1951-1953	150-22		B	2,3	5-178X*	5-1350-1X* 5-1350X**	15-178X
1953	150-24		B	2,3	5-178X*	5-1350-1X* 5-1350X**	15-178X
1995-2002	B7	1480/148N Series; Propeller Shaft Center Support	B	CB	210866-1X		
1975-1976	C15	1 Piece Driveshaft; 1.062" Cup Dia.	A	1	5-153X*	5-1310-1X* 5-1310X**	15-153X
	C15	1 Piece Driveshaft; 1.188" Cup Dia.	A	1	5-178X*	5-1350-1X* 5-1350X**	15-178X
	C15	1 Piece Driveshaft	A	2	5-153X*	5-1310-1X* 5-1310X**	15-153X
1975-1978	C15	2 Piece Driveshaft; 1.062" Cup Dia.	B	1	5-153X*	5-1310-1X* 5-1310X**	15-153X
	C15	2 Piece Driveshaft; 1.188" Cup Dia.	B	1	5-178X*	5-1350-1X* 5-1350X**	15-178X
	C15	2 Piece Driveshaft	B	2,3	5-153X*	5-1310-1X* 5-1310X**	15-153X
	C15		B	CB	210527X		
1977-1978	C15	1 Piece Driveshaft	A	1,2	5-153X*	5-1310-1X* 5-1310X**	15-153X
1975-1976	C15 Suburban	1 Piece Driveshaft; 1.062" Cup Dia.	A	1	5-153X*	5-1310-1X* 5-1310X**	15-153X
	C15 Suburban	1 Piece Driveshaft; 1.188" Cup Dia.	A	1	5-178X*	5-1350-1X* 5-1350X**	15-178X
	C15 Suburban	1 Piece Driveshaft	A	2	5-153X*	5-1310-1X* 5-1310X**	15-153X
1975-1978	C15 Suburban	2 Piece Driveshaft; 1.062" Cup Dia.	B	1	5-153X*	5-1310-1X* 5-1310X**	15-153X

\* GREASEABLE \*\* NON-GREASEABLE



**GMC (Cont'd)**

Year	Model	Description	Fig.	Location	Spicer Part #	SPL Part #	SVL Part #
1975-1978	C15 Suburban	2 Piece Driveshaft; 1.188" Cup Dia.	B	1	5-178X*	5-1350-1X* 5-1350X**	15-178X
	C15 Suburban	2 Piece Driveshaft	B	2,3	5-153X*	5-1310-1X* 5-1310X**	15-153X
	C15 Suburban		B	CB	210527X		
1977-1978	C15 Suburban	1 Piece Driveshaft	A	1,2	5-153X*	5-1310-1X* 5-1310X**	15-153X
1967	C15/C1500 Pickup	1 Piece Driveshaft	A	1,2	5-153X*	5-1310-1X* 5-1310X**	15-153X
1967-1974	C15/C1500 Pickup		B	CB	210527X		
1968-1969	C15/C1500 Pickup	2 Piece Driveshaft; 1.062" Cup Dia.; 1.219" O.D. Yoke	B	1,3	5-153X*	5-1310-1X* 5-1310X**	15-153X
	C15/C1500 Pickup	2 Piece Driveshaft; 1.062" Cup Dia.; 1.625" O.D. Yoke	B	1,3	5-213X*	5-1330-1X* 5-1330X**	15-213X
	C15/C1500 Pickup	2 Piece Driveshaft; 1.062" Cup Dia.	B	2	5-153X*	5-1310-1X* 5-1310X**	15-153X
1968-1970	C15/C1500 Pickup	2 Piece Driveshaft; 1.188" Cup Dia.	B	1,2,3	5-178X*	5-1350-1X* 5-1350X**	15-178X
1968-1974	C15/C1500 Pickup	1 Piece Driveshaft; 1.062" Cup Dia.	A	1	5-153X*	5-1310-1X* 5-1310X**	15-153X
	C15/C1500 Pickup	1 Piece Driveshaft; 1.188" Cup Dia.	A	1	5-178X*	5-1350-1X* 5-1350X**	15-178X
	C15/C1500 Pickup	1 Piece Driveshaft	A	2	5-153X*	5-1310-1X* 5-1310X**	15-153X
1970	C15/C1500 Pickup	2 Piece Driveshaft; 1.062" Cup Dia.	B	1,2,3	5-153X*	5-1310-1X* 5-1310X**	15-153X
1971-1974	C15/C1500 Pickup	2 Piece Driveshaft; 1.062" Cup Dia.	B	1	5-153X*	5-1310-1X* 5-1310X**	15-153X
	C15/C1500 Pickup	2 Piece Driveshaft; 1.188" Cup Dia.	B	1	5-178X*	5-1350-1X* 5-1350X**	15-178X
	C15/C1500 Pickup	2 Piece Driveshaft	B	2,3	5-153X*	5-1310-1X* 5-1310X**	15-153X
1968-1974	C15/C1500 Suburban	2 Piece Driveshaft	B	1,2,3	5-153X*	5-1310-1X* 5-1310X**	15-153X
	C15/C1500 Suburban		B	CB	210527X		
1974	C15/C1500 Suburban	1 Piece Driveshaft; 1.062" Cup Dia.	A	1	5-153X*	5-1310-1X* 5-1310X**	15-153X
	C15/C1500 Suburban	1 Piece Driveshaft; 1.188" Cup Dia.	A	1	5-178X*	5-1350-1X* 5-1350X**	15-178X
1979-1981	C1500	1.062" Cup Dia.; w/ Outside Snap Rings	B	1,2,3	5-153X*	5-1310-1X* 5-1310X**	15-153X
	C1500	1.188" Cup Dia.; w/ Outside Snap Rings	B	1,2,3	5-178X*	5-1350-1X* 5-1350X**	15-178X
	C1500	w/ Inside Snap Rings	B	1,2,3	5-3147X*	5-795X**	15-3147X
	C1500	w/ Inside & Outside Snap Rings	B	3	5-212X*	5-793X**	
1982-1986	C1500	2 Piece Driveshaft; w/ Inside Snap Rings	B	1,2,3	5-3147X*	5-795X**	15-3147X
	C1500	2 Piece Driveshaft; w/ Outside Snap Rings	B	1,2,3	5-178X*	5-1350-1X* 5-1350X**	15-178X
1988	C1500	Standard Cab; 1 Piece Driveshaft; w/ Inside Snap Rings; w/ Steel Driveshaft	A	1	5-3147X*	5-795X**	15-3147X
	C1500	Standard Cab; 1 Piece Driveshaft; w/ Outside Snap Rings; w/ Aluminum Driveshaft	A	1		5-3614X	

\* GREASEABLE \*\* NON-GREASEABLE

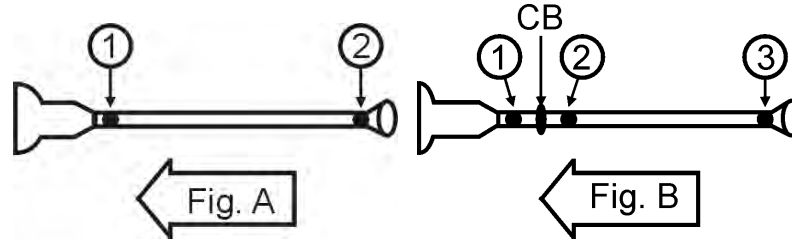
RWD

**GMC (Cont'd)**

Year	Model	Description	Fig.	Location	Spicer Part #	SPL Part #	SVL Part #
1988	C1500	Standard Cab; 1 Piece Driveshaft; w/ Outside Snap Rings; w/ Steel Driveshaft	A	1	5-213X*	5-1330-1X* 5-1330X**	15-213X
	C1500	Standard Cab; 1 Piece Driveshaft; w/ Inside & Outside Snap Rings	A	2	5-212X*	5-793X**	
	C1500	Standard Cab; 1 Piece Driveshaft; w/ Inside Snap Rings	A	2	5-3147X*	5-795X**	15-3147X
	C1500	Extended Cab; Auto Trans; 2 Piece Driveshaft	B	1	5-3147X*	5-795X**	15-3147X
	C1500	Extended Cab; Standard Trans; 5 Speed; 2 Piece Driveshaft; w/ Outside Snap Rings	B	1,2	5-213X*	5-1330-1X* 5-1330X**	15-213X
	C1500	Extended Cab; Standard Trans; 5 Speed; 2 Piece Driveshaft; w/ Inside Snap Rings	B	1,2,3	5-3147X*	5-795X**	15-3147X
	C1500	Extended Cab; Auto Trans; 2 Piece Driveshaft	B	2	5-178X*	5-1350-1X* 5-1350X**	15-178X
	C1500	Extended Cab; Auto Trans; 2 Piece Driveshaft	B	3	5-3147X*	5-795X**	15-3147X
	C1500	Extended Cab; Standard Trans; 5 Speed; 1 Piece Driveshaft; w/ Inside & Outside Snap Rings	B	3	5-212X*	5-793X**	
1988-1989	C1500	Standard Cab; 2 Piece Driveshaft	B	1,2,3	5-178X*	5-1350-1X* 5-1350X**	15-178X
1988-1990	C1500	Extended Cab; Standard Trans; 4 Speed; 2 Piece Driveshaft	B	1,2,3	5-178X*	5-1350-1X* 5-1350X**	15-178X
1989-1990	C1500	Standard Cab; 1 Piece Driveshaft; w/ Aluminum Driveshaft	A	1		5-3614X	
	C1500	Standard Cab; 1 Piece Driveshaft; w/ Inside Snap Rings; w/ Steel Driveshaft	A	1,2	5-3147X*	5-795X**	15-3147X
	C1500	Standard Cab; 1 Piece Driveshaft; w/ Aluminum Driveshaft	A	2	5-212X*	5-793X**	
	C1500	Extended Cab; Standard Trans; 5 Speed; 2 Piece Driveshaft	B	1,2	5-213X*	5-1330-1X* 5-1330X**	15-213X
	C1500	Extended Cab; Auto Trans; 78.0" Bed; 2 Piece Driveshaft	B	2	5-3147X*	5-795X**	15-3147X
	C1500	Extended Cab; Auto Trans; 96.0" Bed; 2 Piece Driveshaft	B	2	5-178X*	5-1350-1X* 5-1350X**	15-178X
	C1500	Extended Cab; Standard Trans; 5 Speed; 2 Piece Driveshaft	B	3	5-212X*	5-793X**	
1989-1991	C1500	Standard Cab; 1 Piece Driveshaft; w/ Outside Snap Rings; w/ Steel Driveshaft	A	1,2	5-178X*	5-1350-1X* 5-1350X**	15-178X
	C1500	Extended Cab; Auto Trans; 2 Piece Driveshaft	B	1,3	5-3147X*	5-795X**	15-3147X
1990	C1500	Standard Cab; 2 Piece Driveshaft	B	1,3	5-178X*	5-1350-1X* 5-1350X**	15-178X
1991	C1500	Standard Cab; 1 Piece Driveshaft; w/ Inside Snap Rings	A	1,2	5-3147X*	5-795X**	15-3147X
	C1500	Standard Cab; 1 Piece Driveshaft; w/ Outside Snap Rings; w/ Aluminum Driveshaft	A	1,2		5-3615X	
	C1500	Extended Cab; Standard Trans; MG5; 5 Speed; 2 Piece Driveshaft; w/ Aluminum Driveshaft	B	1,2		5-3614X	
	C1500	Extended Cab; Standard Trans; MG5; 5 Speed; 2 Piece Driveshaft; w/ Steel Driveshaft	B	1,2	5-213X*	5-1330-1X* 5-1330X**	15-213X
	C1500	Extended Cab; Standard Trans; 4 Speed; 2 Piece Driveshaft; w/ Aluminum Driveshaft	B	1,2,3		5-3615X	
	C1500	Extended Cab; Standard Trans; 4 Speed; 2 Piece Driveshaft; w/ Steel Driveshaft	B	1,2,3	5-178X*	5-1350-1X* 5-1350X**	15-178X
	C1500	Standard Cab; 2 Piece Driveshaft; w/ Aluminum Driveshaft	B	1,2,3		5-3615X	
	C1500	Standard Cab; 2 Piece Driveshaft; w/ Steel Driveshaft	B	1,2,3	5-178X*	5-1350-1X* 5-1350X**	15-178X
	C1500	Extended Cab; Auto Trans; 2 Piece Driveshaft; w/ Aluminum Driveshaft	B	2		5-3615X	

\* GREASEABLE \*\* NON-GREASEABLE

RWD



**GMC (Cont'd)**

Year	Model	Description	Fig.	Location	Spicer Part #	SPL Part #	SVL Part #
1991	C1500	Extended Cab; Auto Trans; 2 Piece Driveshaft; w/ Steel Driveshaft	B	2	5-178X*	5-1350-1X* 5-1350X**	15-178X
	C1500	Extended Cab; Standard Trans; MG5; 5 Speed; 2 Piece Driveshaft	B	3	5-212X*	5-793X**	
1992	C1500	Standard Cab; 117.5" WB; 78.0" Bed; 1 Piece Driveshaft; w/ Steel Driveshaft	A	1,2	5-3147X*	5-795X**	15-3147X
	C1500	Standard Cab; 131.5" WB; 96.0" Bed; Automatic; 1 Piece Driveshaft	A	1,2		5-3614X	
	C1500	Extended Cab; Automatic; 2 Piece Driveshaft	B	1,2,3	5-3147X*	5-795X**	15-3147X
	C1500	Extended Cab; Standard Trans; MT8; 2 Piece Driveshaft	B	1,2,3	5-178X*	5-1350-1X* 5-1350X**	15-178X
1993	C1500	Standard Cab; Standard Trans; NV3500/MG5; 1 Piece Driveshaft; w/ Aluminum Yoke	B	1,2,3	5-178X*	5-1350-1X* 5-1350X**	15-178X
	C1500	Standard Cab; Standard Trans; NV3500/MG5; 1 Piece Driveshaft; w/ Aluminum Yoke	A	1		5-3614X	
	C1500	Standard Cab; Standard Trans; NV3500/MG5; 1 Piece Driveshaft; w/ Steel Yoke	A	1	5-213X*	5-1330-1X* 5-1330X**	15-213X
	C1500	Standard Cab; Auto Trans; 1 Piece Driveshaft	A	1,2	5-3147X*	5-795X**	15-3147X
	C1500	Standard Cab; Standard Trans; NV3500/MG5; 1 Piece Driveshaft	A	2	5-212X*	5-793X**	
	C1500	Extended Cab; Standard Trans; NV3500/MG5; 2 Piece Driveshaft; w/ Aluminum Yoke	B	1,2		5-3614X	
	C1500	Extended Cab; Standard Trans; NV3500/MG5; 2 Piece Driveshaft; w/ Steel Yoke	B	1,2	5-213X*	5-1330-1X* 5-1330X**	15-213X
	C1500	Extended Cab; Auto Trans; 2 Piece Driveshaft	B	1,2,3	5-3147X*	5-795X**	15-3147X
	C1500	Extended Cab; Standard Cab; Standard Trans; MT8; 2 Piece Driveshaft; w/ Aluminum Yoke	B	1,2,3		5-3615X	
	C1500	Extended Cab; Standard Cab; Standard Trans; MT8; 2 Piece Driveshaft; w/ Steel Yoke	B	1,2,3	5-178X*	5-1350-1X* 5-1350X**	15-178X
1994	C1500	Extended Cab; Standard Trans; NV3500/MG5; 2 Piece Driveshaft	B	3	5-212X*	5-793X**	
	C1500	Naturally Aspirated; Extended Cab; Auto Trans; 2 Piece Driveshaft; w/ Outside Snap Rings	B	1,2	5-213X*	5-1330-1X* 5-1330X**	15-213X
	C1500	Naturally Aspirated; Extended Cab; Auto Trans; 2 Piece Driveshaft; w/ Inside Snap Rings	B	1,2,3	5-3147X*	5-795X**	15-3147X
	C1500	Naturally Aspirated; Extended Cab; Standard Cab; Standard Trans; MT8; 2 Piece Driveshaft; w/ Aluminum Driveshaft	B	1,2,3		5-3615X	
	C1500	Naturally Aspirated; Extended Cab; Standard Cab; Standard Trans; MT8; 2 Piece Driveshaft; w/ Steel Driveshaft	B	1,2,3	5-178X*	5-1350-1X* 5-1350X**	15-178X
1994-1995	C1500	Naturally Aspirated; Extended Cab; Auto Trans; 2 Piece Driveshaft; w/ Outside Snap Rings	B	3	5-212X*	5-793X**	
1994-1995	C1500	Standard Cab; 96.0" Bed; 1 Piece Driveshaft	A	1		5-3614X	

\* GREASEABLE \*\* NON-GREASEABLE

R  
W  
D

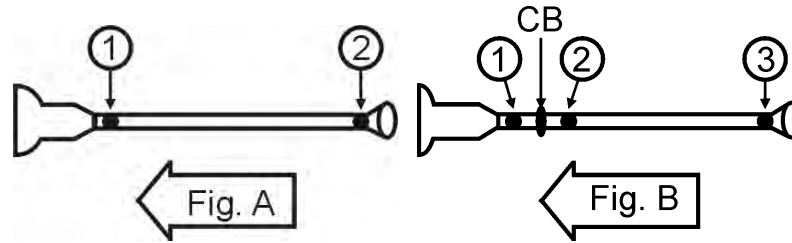
**GMC (Cont'd)**

Year	Model	Description	Fig.	Location	Spicer Part #	SPL Part #	SVL Part #
1994-1995	C1500	Naturally Aspirated; Extended Cab; Standard Trans; NV3500/MG5; 2 Piece Driveshaft	B	1,2	5-213X*	5-1330-1X* 5-1330X**	15-213X
	C1500	Turbocharged; 2 Piece Driveshaft	B	1,2	5-213X*	5-1330-1X* 5-1330X**	15-213X
	C1500	Naturally Aspirated; Extended Cab; Standard Trans; NV3500/MG5; 2 Piece Driveshaft	B	3	5-212X*	5-793X**	
	C1500	Turbocharged; 2 Piece Driveshaft	B	3	5-212X*	5-793X**	
1995	C1500	Naturally Aspirated; Extended Cab; Auto Trans; 2 Piece Driveshaft	B	1,2	5-213X*	5-1330-1X* 5-1330X**	15-213X
	C1500	Naturally Aspirated; Extended Cab; Standard Cab; Standard Trans; NV4500/MW3; 2 Piece Driveshaft	B	1,2,3	5-178X*	5-1350-1X* 5-1350X**	15-178X
	C1500	Naturally Aspirated; Extended Cab; Auto Trans; 2 Piece Driveshaft	B	3	5-212X*	5-793X**	
1996	C1500	Standard Cab; 96.0" Bed; 1 Piece Driveshaft; w/ Aluminum Driveshaft	A	1		5-3614X	
	C1500	Standard Cab; 78.0" Bed; Standard Trans; 1 Piece Driveshaft; w/ Steel Driveshaft	A	1,2		5-3615X	
	C1500	Standard Cab; 96.0" Bed; 1 Piece Driveshaft; w/ Aluminum Driveshaft	A	2	5-212X*	5-793X**	
	C1500	Extended Cab; Auto Trans; 2 Piece Driveshaft	B	1,2	5-213X*	5-1330-1X* 5-1330X**	15-213X
	C1500	Extended Cab; Standard Trans; 5LM60/MG5; NV3500/MG5; 2 Piece Driveshaft	B	1,2	5-213X*	5-1330-1X* 5-1330X**	15-213X
	C1500	Extended Cab; Standard Trans; NV3500/M50; 2 Piece Driveshaft	B	1,2,3	5-178X*	5-1350-1X* 5-1350X**	15-178X
	C1500	Extended Cab; Auto Trans; 2 Piece Driveshaft	B	3	5-212X*	5-793X**	
	C1500	Extended Cab; Standard Trans; 5LM60/MG5; NV3500/MG5; 2 Piece Driveshaft	B	3	5-212X*	5-793X**	
1997-1998	C1500	Standard Cab; 96.0" Bed; 1 Piece Driveshaft; w/ Aluminum Yoke	A	1		5-3614X	
	C1500	Standard Cab; 96.0" Bed; 1 Piece Driveshaft; w/ Steel Yoke	A	1	5-213X*	5-1330-1X* 5-1330X**	15-213X
	C1500	Standard Cab; 78.0" Bed; 1 Piece Driveshaft	A	1,2	5-3147X*	5-795X**	15-3147X
	C1500	Standard Cab; 96.0" Bed; 1 Piece Driveshaft	A	2	5-212X*	5-793X**	
	C1500	Extended Cab; 2 Piece Driveshaft; w/ Aluminum Yoke	B	1,2		5-3614X	
	C1500	Extended Cab; 2 Piece Driveshaft; w/ Steel Yoke	B	1,2	5-213X*	5-1330-1X* 5-1330X**	15-213X
	C1500	Extended Cab; 2 Piece Driveshaft	B	3	5-212X*	5-793X**	
1999	C1500	1 Piece Driveshaft	A	1,2	5-3147X*	5-795X**	15-3147X
	C1500	2 Piece Driveshaft	B	1,2,3	5-3147X*	5-795X**	15-3147X
1979-1981	C1500 Suburban	1 Piece Driveshaft	A	1,2	5-153X*	5-1310-1X* 5-1310X**	15-153X
	C1500 Suburban	2 Piece Driveshaft; 1.062" Cup Dia.	B	1,2	5-153X*	5-1310-1X* 5-1310X**	15-153X
	C1500 Suburban	2 Piece Driveshaft; 1.188" Cup Dia.	B	1,2	5-178X*	5-1350-1X* 5-1350X**	15-178X
	C1500 Suburban	2 Piece Driveshaft; w/ Inside & Outside Snap Rings	B	3	5-212X*	5-793X**	
	C1500 Suburban	2 Piece Driveshaft; w/ Outside Snap Rings; 1.062" Cup Dia.	B	3	5-153X*	5-1310-1X* 5-1310X**	15-153X
	C1500 Suburban	2 Piece Driveshaft; w/ Outside Snap Rings; 1.188" Cup Dia.	B	3	5-178X*	5-1350-1X* 5-1350X**	15-178X
1982-1986	C1500 Suburban	1 Piece Driveshaft	A	1,2	5-3147X*	5-795X**	15-3147X
	C1500 Suburban	2 Piece Driveshaft; w/ Inside Snap Rings	B	1,2,3	5-3147X*	5-795X**	15-3147X
	C1500 Suburban	2 Piece Driveshaft; w/ Outside Snap Rings	B	1,2,3	5-178X*	5-1350-1X* 5-1350X**	15-178X
1992-1993	C1500 Suburban	w/ Aluminum Driveshaft	A	1		5-3614X	
	C1500 Suburban	w/ Steel Driveshaft	A	1	5-213X*	5-1330-1X* 5-1330X**	15-213X
	C1500 Suburban		A	2	5-212X*	5-793X**	
1994	C1500 Suburban	w/ Aluminum Driveshaft	A	1,2		5-3615X	

\* GREASEABLE \*\* NON-GREASEABLE

RWD





**GMC (Cont'd)**

Year	Model	Description	Fig.	Location	Spicer Part #	SPL Part #	SVL Part #
1994	C1500 Suburban	w/ Steel Driveshaft	A	1,2	5-178X*	5-1350-1X* 5-1350X**	15-178X
1995	C1500 Suburban	Diesel; w/ Aluminum Driveshaft	B	1,2		5-3614X	
	C1500 Suburban	Diesel; w/ Steel Driveshaft	B	1,2	5-213X*	5-1330-1X* 5-1330X**	15-213X
1996-1999	C1500 Suburban	Diesel	B	3	5-212X*	5-793X**	
	C1500 Suburban	Diesel; w/ Aluminum Driveshaft	A	1		5-3615X	
	C1500 Suburban	Diesel; w/ Steel Driveshaft	A	1	5-178X*	5-1350-1X* 5-1350X**	15-178X
	C1500 Suburban	Gas; w/ Aluminum Driveshaft	A	1		5-3614X	
1975	C1500 Suburban	Gas; w/ Steel Driveshaft	A	1	5-213X*	5-1330-1X* 5-1330X**	15-213X
	C1500 Suburban	Gas	A	2	5-212X*	5-793X**	
1975	C25	2 Piece Driveshaft; 1.062" Cup Dia.	B	1,2	5-153X*	5-1310-1X* 5-1310X**	15-153X
1975-1978	C25	2 Piece Driveshaft; 1.188" Cup Dia.	B	1,2,3	5-178X*	5-1350-1X* 5-1350X**	15-178X
1976-1977	C25	2 Piece Driveshaft; 1.062" Cup Dia.; w/ 3.219" O.D. Yoke	B	1	5-213X*	5-1330-1X* 5-1330X**	15-213X
	C25	2 Piece Driveshaft; 1.062" Cup Dia.; w/ 3.625" O.D. Yoke	B	1	5-153X*	5-1310-1X* 5-1310X**	15-153X
	C25	2 Piece Driveshaft; 1.062" Cup Dia.	B	2	5-153X*	5-1310-1X* 5-1310X**	15-153X
1978	C25	1 Piece Driveshaft	A	1,2	5-153X*	5-1310-1X* 5-1310X**	15-153X
	C25	2 Piece Driveshaft; 1.062" Cup Dia.	B	1,2,3	5-153X*	5-1310-1X* 5-1310X**	15-153X
	C25	2 Piece Driveshaft; 1.125" Cup Dia.	B	3	5-3147X*	5-795X**	15-3147X
1975	C25 Suburban	2 Piece Driveshaft; 1.062" Cup Dia.	B	1,2	5-153X*	5-1310-1X* 5-1310X**	15-153X
1975-1978	C25 Suburban	2 Piece Driveshaft; 1.188" Cup Dia.	B	1,2,3	5-178X*	5-1350-1X* 5-1350X**	15-178X
1976-1977	C25 Suburban	2 Piece Driveshaft; 1.062" Cup Dia.; w/ 3.219" O.D. Yoke	B	1	5-213X*	5-1330-1X* 5-1330X**	15-213X
	C25 Suburban	2 Piece Driveshaft; 1.062" Cup Dia.; w/ 3.625" O.D. Yoke	B	1	5-153X*	5-1310-1X* 5-1310X**	15-153X
	C25 Suburban	2 Piece Driveshaft; 1.062" Cup Dia.	B	2	5-153X*	5-1310-1X* 5-1310X**	15-153X
1978	C25 Suburban	2 Piece Driveshaft; 1.062" Cup Dia.	B	1,2,3	5-153X*	5-1310-1X* 5-1310X**	15-153X
1979-1981	C2500	1.062" Cup Dia.	B	1,2,3	5-153X*	5-1310-1X* 5-1310X**	15-153X
	C2500	1.188" Cup Dia.	B	1,2,3	5-178X*	5-1350-1X* 5-1350X**	15-178X
1982-1986	C2500	2 Piece Driveshaft; w/ Inside Snap Rings	B	1,2,3	5-3147X*	5-795X**	15-3147X
	C2500	2 Piece Driveshaft; w/ Outside Snap Rings	B	1,2,3	5-178X*	5-1350-1X* 5-1350X**	15-178X
1988-1998	C2500	Standard Cab; 1 Piece Driveshaft; w/ Aluminum Driveshaft	A	1,2		5-3615X	
	C2500	Standard Cab; 1 Piece Driveshaft; w/ Steel Driveshaft	A	1,2	5-178X*	5-1350-1X* 5-1350X**	15-178X
1989-1990	C2500	Extended Cab; Standard Cab; 2 Piece Driveshaft; w/ Aluminum Driveshaft	B	1		5-3615X	

\* GREASEABLE \*\* NON-GREASEABLE

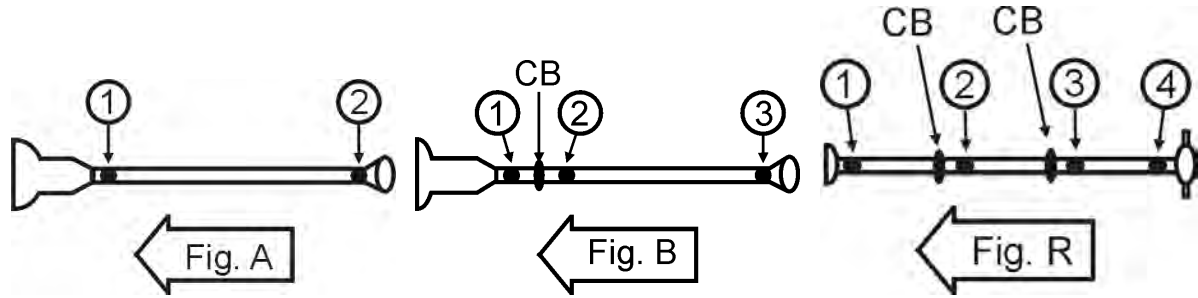
RWD

**GMC (Cont'd)**

Year	Model	Description	Fig.	Location	Spicer Part #	SPL Part #	SVL Part #
1989-1990	C2500	Extended Cab; Standard Cab; 2 Piece Driveshaft; w/ Steel Driveshaft	B	1	5-178X*	5-1350-1X* 5-1350X**	15-178X
	C2500	Extended Cab; 78.0" Bed; 2 Piece Driveshaft	B	2,3	5-3147X*	5-795X**	15-3147X
	C2500	Extended Cab; 96.0" Bed; 2 Piece Driveshaft; w/ Aluminum Driveshaft	B	2,3		5-3615X	
	C2500	Extended Cab; 96.0" Bed; 2 Piece Driveshaft; w/ Steel Driveshaft	B	2,3	5-178X*	5-1350-1X* 5-1350X**	15-178X
	C2500	Standard Cab; 2 Piece Driveshaft; w/ Aluminum Driveshaft	B	2,3		5-3615X	
	C2500	Standard Cab; 2 Piece Driveshaft; w/ Steel Driveshaft	B	2,3	5-178X*	5-1350-1X* 5-1350X**	15-178X
1991-1998	C2500	Extended Cab; Standard Cab; 2 Piece Driveshaft; w/ Aluminum Driveshaft	B	1,2,3		5-3615X	
	C2500	Extended Cab; Standard Cab; 2 Piece Driveshaft; w/ Steel Driveshaft	B	1,2,3	5-178X*	5-1350-1X* 5-1350X**	15-178X
1999	C2500	Auto Trans; w/ Aluminum Driveshaft	B	1,2,3		5-3615X	
	C2500	Auto Trans; w/ Steel Driveshaft	B	1,2,3	5-178X*	5-1350-1X* 5-1350X**	15-178X
	C2500	Standard Trans; w/ Aluminum Driveshaft	B	1,2,3		5-3616X	
	C2500	Standard Trans; w/ Steel Driveshaft	B	1,2,3	5-160X*	5-1410-1X* 5-1410X**	15-160X
2000	C2500	V8 5.7L; 1 Piece Driveshaft	A	1,2	5-178X*	5-1350-1X* 5-1350X**	15-178X
	C2500	V8 6.5L; 1 Piece Driveshaft	A	1,2	5-178X*	5-1350-1X* 5-1350X**	15-178X
	C2500	V8 7.4L; 1 Piece Driveshaft	A	1,2	5-178X*	5-1350-1X* 5-1350X**	15-178X
1979-1980	C2500 Suburban	Auto Trans; THM350	B	1,2,3	5-153X*	5-1310-1X* 5-1310X**	15-153X
	C2500 Suburban	Auto Trans; THM400	B	1,2,3	5-178X*	5-1350-1X* 5-1350X**	15-178X
	C2500 Suburban	Standard Trans	B	1,2,3	5-178X*	5-1350-1X* 5-1350X**	15-178X
1981	C2500 Suburban		B	1,2	5-178X*	5-1350-1X* 5-1350X**	15-178X
	C2500 Suburban	4.8L; 5.7L; Auto Trans	B	3	5-153X*	5-1310-1X* 5-1310X**	15-153X
	C2500 Suburban	4.8L; 5.7L; Standard Trans	B	3	5-3147X*	5-795X**	15-3147X
	C2500 Suburban	7.4L	B	3	5-178X*	5-1350-1X* 5-1350X**	15-178X
1982-1986	C2500 Suburban	1 Piece Driveshaft	A	1,2	5-3147X*	5-795X**	15-3147X
	C2500 Suburban	2 Piece Driveshaft; 1.188" Cup Dia.	B	1,2,3	5-178X*	5-1350-1X* 5-1350X**	15-178X
	C2500 Suburban	2 Piece Driveshaft; 1.125" Cup Dia.	B	1,3	5-3147X*	5-795X**	15-3147X
1992-1999	C2500 Suburban	w/ Aluminum Driveshaft	A	1,2		5-3615X	
	C2500 Suburban	w/ Steel Driveshaft	A	1,2	5-178X*	5-1350-1X* 5-1350X**	15-178X
1975-1976	C35	Cab & Chassis; Standard Cab; Auto Trans; THM350; 1.062" Cup Dia.	B	1,2,3	5-153X*	5-1310-1X* 5-1310X**	15-153X
	C35	Cab & Chassis; Standard Cab; Auto Trans; THM400; 1.188" Cup Dia.	B	1,2,3	5-178X*	5-1350-1X* 5-1350X**	15-178X
	C35	Cab & Chassis; Standard Cab; Standard Trans; 1.062" Cup Dia.	B	1,2,3	5-153X*	5-1310-1X* 5-1310X**	15-153X
	C35	Cab & Chassis; Standard Cab; Standard Trans; 1.188" Cup Dia.	B	1,2,3	5-178X*	5-1350-1X* 5-1350X**	15-178X
1975-1978	C35	Crew Cab; 1.188" Cup Dia.	B	1,2,3	5-178X*	5-1350-1X* 5-1350X**	15-178X
1977-1978	C35	Cab & Chassis; Extended Cab; Standard Cab; Auto Trans; THM350; 1.062" Cup Dia.	B	1,2,3	5-153X*	5-1310-1X* 5-1310X**	15-153X
	C35	Cab & Chassis; Extended Cab; Standard Cab; Auto Trans; THM400; 1.188" Cup Dia.	B	1,2,3	5-178X*	5-1350-1X* 5-1350X**	15-178X
	C35	Cab & Chassis; Extended Cab; Standard Cab; Standard Trans; 1.062" Cup Dia.	B	1,2,3	5-153X*	5-1310-1X* 5-1310X**	15-153X

\* GREASEABLE \*\* NON-GREASEABLE

RWD



**GMC (Cont'd)**

Year	Model	Description	Fig.	Location	Spicer Part #	SPL Part #	SVL Part #
1977-1978	C35	Cab & Chassis; Extended Cab; Standard Cab; Standard Trans; 1.188" Cup Dia.	B	1,2,3	5-178X*	5-1350-1X* 5-1350X**	15-178X
1967-1972	C35/C3500 Pickup	Standard Trans	B	1	5-178X*	5-1350-1X* 5-1350X**	15-178X
	C35/C3500 Pickup		B	2,3	5-178X*	5-1350-1X* 5-1350X**	15-178X
1968	C35/C3500 Pickup	4.1L; 4.8L; 5.0L; 5.3L; 5.7L; Auto Trans	B	1	5-153X*	5-1310-1X* 5-1310X**	15-153X
1968-1969	C35/C3500 Pickup	6.5L; Auto Trans	B	1	5-213X*	5-1330-1X* 5-1330X**	15-213X
1969	C35/C3500 Pickup	4.1L; 4.8L; 5.0L; 5.7L; Auto Trans	B	1	5-153X*	5-1310-1X* 5-1310X**	15-153X
1970-1972	C35/C3500 Pickup	Auto Trans	B	1	5-153X*	5-1310-1X* 5-1310X**	15-153X
1973-1974	C35/C3500 Pickup	1.062" Cup Dia.	B	1,2,3	5-153X*	5-1310-1X* 5-1310X**	15-153X
	C35/C3500 Pickup	1.188" Cup Dia.	B	1,2,3	5-178X*	5-1350-1X* 5-1350X**	15-178X
1979-1981	C3500	1.062" Cup Dia.; w/ Outside Snap Rings	B	1,2,3	5-153X*	5-1310-1X* 5-1310X**	15-153X
	C3500	1.188" Cup Dia.; w/ Outside Snap Rings	B	1,3	5-178X*	5-1350-1X* 5-1350X**	15-178X
1984	C3500	1 Piece Driveshaft; w/ Inside Snap Rings	A	1,2	5-3147X*	5-795X**	15-3147X
	C3500	1 Piece Driveshaft; w/ Outside Snap Rings	A	1,2	5-178X*	5-1350-1X* 5-1350X**	15-178X
	C3500	2 Piece Driveshaft; w/ Inside Snap Rings	B	1,2,3	5-3147X*	5-795X**	15-3147X
	C3500	2 Piece Driveshaft; w/ Outside Snap Rings	B	1,2,3	5-178X*	5-1350-1X* 5-1350X**	15-178X
1985-1986	C3500		B	1,2,3	5-178X*	5-1350-1X* 5-1350X**	15-178X
1988-1990	C3500	w/ Aluminum Driveshaft	B	1,2,3		5-3615X	
	C3500	w/ Steel Driveshaft	B	1,2,3	5-178X*	5-1350-1X* 5-1350X**	15-178X
1991	C3500	Extended Cab; Standard Cab; w/ Aluminum Driveshaft	B	1,2,3		5-3615X	
	C3500	Extended Cab; Standard Cab; w/ Steel Driveshaft	B	1,2,3	5-178X*	5-1350-1X* 5-1350X**	15-178X
1992-1997	C3500	Cab & Chassis; 2 Door; 135.5" WB; 159.5" WB; 2 Piece Driveshaft; 15,000 Lbs GVW	B	1,2,3	5-160X*	5-1410-1X* 5-1410X**	15-160X
	C3500	Cab & Chassis; 2 Door; 135.5" WB; 159.5" WB; 2 Piece Driveshaft; Exc. 15,000 Lbs GVW	B	1,2,3		5-3615X	
1992-1998	C3500	Extended Cab; 155.5" WB; 2 Piece Driveshaft; Dual Rear Wheels	B	1,2,3	5-178X*	5-1350-1X* 5-1350X**	15-178X
1997-1998	C3500	Cab & Chassis; 2 Door; 183.3" WB; 3 Piece Driveshaft	R	1,2,3,4	5-160X*	5-1410-1X* 5-1410X**	15-160X
1998	C3500	Cab & Chassis; 2 Door; 159.5" WB; 2 Piece Driveshaft; 15,000 Lbs GVW	B	1,2,3	5-160X*	5-1410-1X* 5-1410X**	15-160X
	C3500	Cab & Chassis; 2 Door; 159.5" WB; 2 Piece Driveshaft; Exc. 15,000 Lbs GVW	B	1,2,3		5-3615X	

\* GREASEABLE \*\* NON-GREASEABLE

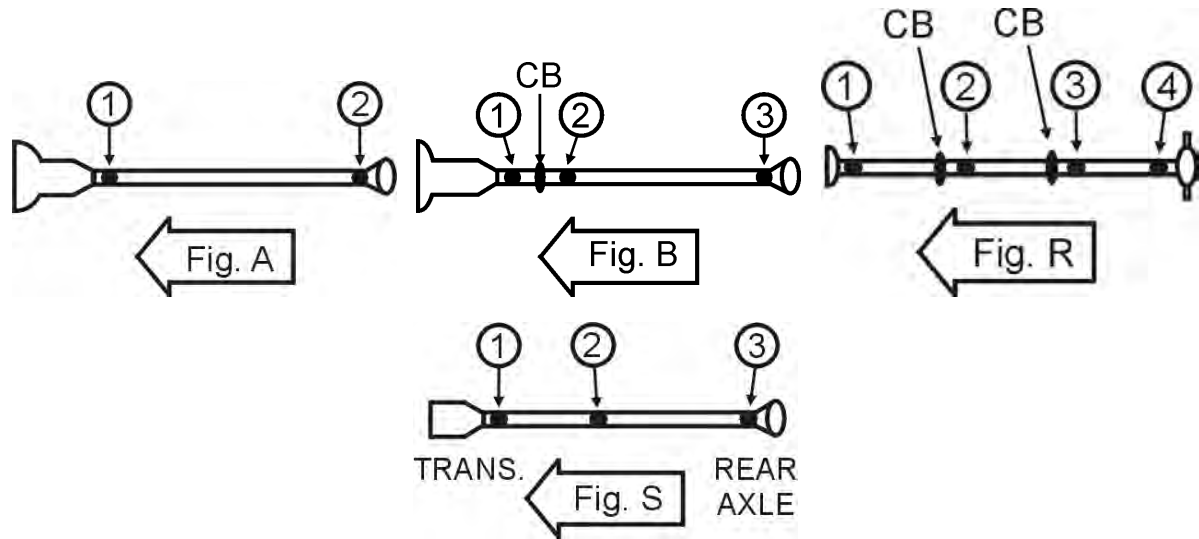
RWD

**GMC (Cont'd)**

Year	Model	Description	Fig.	Location	Spicer Part #	SPL Part #	SVL Part #
1999	C3500	Cab & Chassis; 159.5" WB; 2 Piece Driveshaft; 15,000 Lbs GVW	B	1,2,3	5-160X*	5-1410-1X* 5-1410X**	15-160X
	C3500	Cab & Chassis; 159.5" WB; 2 Piece Driveshaft; Exc. 15,000 Lbs GVW	B	1,2,3		5-3615X	
	C3500	Extended Cab; 155.5" WB; 2 Piece Driveshaft	B	1,2,3	5-178X*	5-1350-1X* 5-1350X**	15-178X
	C3500	Standard Cab; 131.5" WB; 2 Piece Driveshaft	B	1,2,3	5-178X*	5-1350-1X* 5-1350X**	15-178X
	C3500	Cab & Chassis; 3 Piece Driveshaft	R	1,2,3,4	5-160X*	5-1410-1X* 5-1410X**	15-160X
2000	C3500	159.5in WB; 1 Piece Driveshaft	A	1,2	5-160X*	5-1410-1X* 5-1410X**	15-160X
2003-2009	C4500 Topkick	1 Piece Driveshaft; 4.500" Yoke	A	1,2	5-188X*	SPL55-1X* SPL55X**	15-188X
	C4500 Topkick	1 Piece Driveshaft; 5.250" Yoke	A	1,2	5-155X*	SPL70-1X* SPL70X**	15-155X
	C4500 Topkick	2 Piece Driveshaft; 4.500" Yoke	B	1,2,3	5-188X*	SPL55-1X* SPL55X**	15-188X
	C4500 Topkick	2 Piece Driveshaft; 5.250" Yoke	B	1,2,3	5-155X*	SPL70-1X* SPL70X**	15-155X
	C4500 Topkick	3 Piece Driveshaft; 4.500" Yoke	R	1,2,3,4	5-188X*	SPL55-1X* SPL55X**	15-188X
	C4500 Topkick	3 Piece Driveshaft; 5.250" Yoke	R	1,2,3,4	5-155X*	SPL70-1X* SPL70X**	15-155X
2003-2009	C5500 Topkick	1 Piece Driveshaft; 4.500" Yoke	A	1,2	5-188X*	SPL55-1X* SPL55X**	15-188X
	C5500 Topkick	1 Piece Driveshaft; 5.250" Yoke	A	1,2	5-155X*	SPL70-1X* SPL70X**	15-155X
	C5500 Topkick	2 Piece Driveshaft; 4.500" Yoke	B	1,2,3	5-188X*	SPL55-1X* SPL55X**	15-188X
	C5500 Topkick	2 Piece Driveshaft; 5.250" Yoke	B	1,2,3	5-155X*	SPL70-1X* SPL70X**	15-155X
	C5500 Topkick	3 Piece Driveshaft; 4.500" Yoke	R	1,2,3,4	5-188X*	SPL55-1X* SPL55X**	15-188X
	C5500 Topkick	3 Piece Driveshaft; 5.250" Yoke	R	1,2,3,4	5-155X*	SPL70-1X* SPL70X**	15-155X
1995-1996	C6000 Topkick	1480/148N Series; Propeller Shaft Center Support	B	CB	210866-1X		
1997-2002	C6500 Topkick	1480/148N Series; Propeller Shaft Center Support	B	CB	210866-1X		
1995-1996	C7000 Topkick	1480/148N Series; Propeller Shaft Center Support	B	CB	210866-1X		
1997-2002	C7500 Topkick	1480/148N Series; Propeller Shaft Center Support	B	CB	210866-1X		
1978-1987	Caballero		A	1,2	5-3147X*	5-795X**	15-3147X
2004	Canyon	SL; 1 Piece Driveshaft	A	1	5-213X*	5-1330-1X* 5-1330X**	15-213X
	Canyon	SLE; 1 Piece Driveshaft	A	1	5-213X*	5-1330-1X* 5-1330X**	15-213X
	Canyon	SL; 1 Piece Driveshaft	A	2	5-212X*	5-793X**	
	Canyon	SLE; 1 Piece Driveshaft	A	2	5-212X*	5-793X**	
	Canyon	Z85 SL; Cab & Chassis; 2 Piece Driveshaft	S	1,2	5-213X*	5-1330-1X* 5-1330X**	15-213X
	Canyon	Z85 SL; Cab & Chassis; 2 Piece Driveshaft	S	3	5-212X*	5-793X**	
2004-2005	Canyon	Z71 Fleet; 1 Piece Driveshaft	A	1	5-213X*	5-1330-1X* 5-1330X**	15-213X
	Canyon	Z71 SL; 1 Piece Driveshaft	A	1	5-213X*	5-1330-1X* 5-1330X**	15-213X
	Canyon	Z71 SLE; 1 Piece Driveshaft	A	1	5-213X*	5-1330-1X* 5-1330X**	15-213X
	Canyon	Z85 SL; Standard Cab; 1 Piece Driveshaft	A	1	5-213X*	5-1330-1X* 5-1330X**	15-213X
	Canyon	Z85 SLE; Standard Cab; 1 Piece Driveshaft	A	1	5-213X*	5-1330-1X* 5-1330X**	15-213X
	Canyon	Z85 SLE; Standard Cab; 1 Piece Driveshaft	A	1	5-213X*	5-1330-1X* 5-1330X**	15-213X

\* GREASEABLE \*\* NON-GREASEABLE

RWD



**GMC (Cont'd)**

Year	Model	Description	Fig.	Location	Spicer Part #	SPL Part #	SVL Part #
2004-2005	Canyon	Z71 Fleet; 1 Piece Driveshaft	A	2	5-212X*	5-793X**	
	Canyon	Z71 SL; 1 Piece Driveshaft	A	2	5-212X*	5-793X**	
	Canyon	Z71 SLE; 1 Piece Driveshaft	A	2	5-212X*	5-793X**	
	Canyon	Z85 SL; Standard Cab; 1 Piece Driveshaft	A	2	5-212X*	5-793X**	
	Canyon	Z85 SLE; Standard Cab; 1 Piece Driveshaft	A	2	5-212X*	5-793X**	
	Canyon	Z85 SL; Crew Cab; 2 Piece Driveshaft	S	1,2	5-213X*	5-1330-1X* 5-1330X**	15-213X
	Canyon	Z85 SL; Extended Cab; 2 Piece Driveshaft	S	1,2	5-213X*	5-1330-1X* 5-1330X**	15-213X
	Canyon	Z85 SLE; Cab & Chassis; 2 Piece Driveshaft	S	1,2	5-213X*	5-1330-1X* 5-1330X**	15-213X
	Canyon	Z85 SLE; Crew Cab; 2 Piece Driveshaft	S	1,2	5-213X*	5-1330-1X* 5-1330X**	15-213X
	Canyon	Z85 SLE; Extended Cab; 2 Piece Driveshaft	S	1,2	5-213X*	5-1330-1X* 5-1330X**	15-213X
	Canyon	Z85 SL; Crew Cab; 2 Piece Driveshaft	S	3	5-212X*	5-793X**	
	Canyon	Z85 SL; Extended Cab; 2 Piece Driveshaft	S	3	5-212X*	5-793X**	
	Canyon	Z85 SLE; Cab & Chassis; 2 Piece Driveshaft	S	3	5-212X*	5-793X**	
	Canyon	Z85 SLE; Crew Cab; 2 Piece Driveshaft	S	3	5-212X*	5-793X**	
Canyon	Z85 SLE; Extended Cab; 2 Piece Driveshaft	S	3	5-212X*	5-793X**		
2006-2012	Canyon	1 Piece Driveshaft	A	1	5-213X*	5-1330-1X* 5-1330X**	15-213X
	Canyon	1 Piece Driveshaft	A	2	5-212X*	5-793X**	
	Canyon	2 Piece Driveshaft	S	1,2	5-213X*	5-1330-1X* 5-1330X**	15-213X
2015-2016	Canyon	1 Piece Driveshaft	A	1,2	5-178X*	5-1350-1X* 5-1350X**	15-178X
	Canyon	2 Piece Driveshaft	S	1,2,3	5-178X*	5-1350-1X* 5-1350X**	15-178X
2002-2007	Envoy	1 Piece Driveshaft	A	1,2	5-3147X*	5-795X**	15-3147X
2008	Envoy	Denali; 1 Piece Driveshaft	A	1,2	5-178X*	5-1350-1X* 5-1350X**	15-178X
	Envoy	SLE; 1 Piece Driveshaft	A	1,2	5-3147X*	5-795X**	15-3147X
2009	Envoy	SLT; 1 Piece Driveshaft	A	1,2	5-3147X*	5-795X**	15-3147X
	Envoy	1 Piece Driveshaft	A	1,2	5-178X*	5-1350-1X* 5-1350X**	15-178X
2002-2006	Envoy XL	1 Piece Driveshaft	A	1,2	5-3147X*	5-795X**	15-3147X
2004-2005	Envoy XUV	1 Piece Driveshaft	A	1,2	5-3147X*	5-795X**	15-3147X

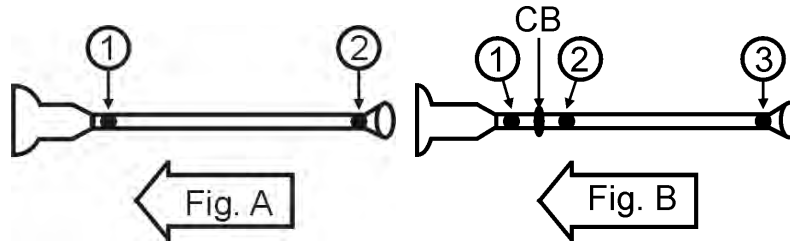
\* GREASEABLE \*\* NON-GREASEABLE

**GMC (Cont'd)**

Year	Model	Description	Fig.	Location	Spicer Part #	SPL Part #	SVL Part #
1975-1977	G15		B	1,2,3	5-153X*	5-1310-1X* 5-1310X**	15-153X
1978	G15	1 Piece Driveshaft; w/ Inside Snap Rings	A	1,2	5-3147X*	5-795X**	15-3147X
	G15	1 Piece Driveshaft; w/ Outside Snap Rings	A	1,2	5-153X*	5-1310-1X* 5-1310X**	15-153X
	G15	2 Piece Driveshaft; w/ Inside Snap Rings	B	1,2,3	5-3147X*	5-795X**	15-3147X
	G15	2 Piece Driveshaft; w/ Outside Snap Rings	B	1,2,3	5-153X*	5-1310-1X* 5-1310X**	15-153X
1967-1974	G15/G1500 Van		B	1,2,3	5-153X*	5-1310-1X* 5-1310X**	15-153X
1979-1981	G1500	1 Piece Driveshaft; w/ Outside Snap Rings	A	1,2	5-153X*	5-1310-1X* 5-1310X**	15-153X
	G1500	2 Piece Driveshaft; w/ Inside Snap Rings	B	1,2,3	5-3147X*	5-795X**	15-3147X
	G1500	2 Piece Driveshaft; w/ Outside Snap Rings	B	1,2,3	5-153X*	5-1310-1X* 5-1310X**	15-153X
1979-1991	G1500	1 Piece Driveshaft; w/ Inside Snap Rings	A	1,2	5-3147X*	5-795X**	15-3147X
1982-1991	G1500	1 Piece Driveshaft; w/ Outside Snap Rings; w/ Aluminum Yoke	A	1,2		5-3614X	
	G1500	2 Piece Driveshaft	B	1,2,3	5-3147X*	5-795X**	15-3147X
1992-1995	G1500	125.0" WB; w/ Outside Snap Rings; w/ Aluminum Driveshaft	A	1		5-3614X	
	G1500	110.0" WB; 125.0" WB; w/ Inside Snap Rings	A	1,2	5-3147X*	5-795X**	15-3147X
	G1500	125.0" WB; w/ Inside & Outside Snap Rings; w/ Aluminum Driveshaft	A	2	5-212X*	5-793X**	
1975-1976	G25	4.8L; 5.7L; 7.4L; 1 Piece Driveshaft; w/ Inside & Outside Snap Rings	A	1,2	5-212X*	5-793X**	
	G25	4.8L; 5.7L; 7.4L; 1 Piece Driveshaft; w/ Inside Snap Rings	A	1,2	5-3147X*	5-795X**	15-3147X
	G25	4.8L; 5.7L; 7.4L; 1 Piece Driveshaft; w/ Outside Snap Rings	A	1,2	5-153X*	5-1310-1X* 5-1310X**	15-153X
	G25	4.8L; 5.7L; 7.4L; 2 Piece Driveshaft; w/ Inside & Outside Snap Rings	B	1,2,3	5-212X*	5-793X**	
	G25	4.8L; 5.7L; 7.4L; 2 Piece Driveshaft; w/ Outside Snap Rings	B	1,2,3	5-153X*	5-1310-1X* 5-1310X**	15-153X
1975-1978	G25	6.6L; 1 Piece Driveshaft	A	1,2	5-213X*	5-1330-1X* 5-1330X**	15-213X
	G25	6.6L; 2 Piece Driveshaft	B	1,2,3	5-213X*	5-1330-1X* 5-1330X**	15-213X
1977	G25	4.8L; 5.0L; 5.7L; 1 Piece Driveshaft; w/ Inside & Outside Snap Rings	A	1,2	5-212X*	5-793X**	
	G25	4.8L; 5.0L; 5.7L; 1 Piece Driveshaft; w/ Inside Snap Rings	A	1,2	5-3147X*	5-795X**	15-3147X
	G25	4.8L; 5.0L; 5.7L; 1 Piece Driveshaft; w/ Outside Snap Rings	A	1,2	5-153X*	5-1310-1X* 5-1310X**	15-153X
	G25	4.8L; 5.0L; 5.7L; 2 Piece Driveshaft; w/ Inside & Outside Snap Rings	B	1,2,3	5-212X*	5-793X**	
	G25	4.8L; 5.0L; 5.7L; 2 Piece Driveshaft; w/ Outside Snap Rings	B	1,2,3	5-153X*	5-1310-1X* 5-1310X**	15-153X
1978	G25	4.1L; 4.8L; 5.0L; 5.7L; 1 Piece Driveshaft; w/ Inside & Outside Snap Rings	A	1,2	5-212X*	5-793X**	
	G25	4.1L; 4.8L; 5.0L; 5.7L; 1 Piece Driveshaft; w/ Inside Snap Rings	A	1,2	5-3147X*	5-795X**	15-3147X
	G25	4.1L; 4.8L; 5.0L; 5.7L; 1 Piece Driveshaft; w/ Outside Snap Rings	A	1,2	5-153X*	5-1310-1X* 5-1310X**	15-153X
	G25	4.1L; 4.8L; 5.0L; 5.7L; 2 Piece Driveshaft; w/ Inside & Outside Snap Rings	B	1,2,3	5-212X*	5-793X**	
	G25	4.1L; 4.8L; 5.0L; 5.7L; 2 Piece Driveshaft; w/ Outside Snap Rings	B	1,2,3	5-153X*	5-1310-1X* 5-1310X**	15-153X
1979	G2500	4.1L; 5.0L; 5.7L; 2 Piece Driveshaft	B	2,3	5-153X*	5-1310-1X* 5-1310X**	15-153X
1979-1980	G2500	6.6L; 2 Piece Driveshaft	B	2	5-213X*	5-1330-1X* 5-1330X**	15-213X

\* GREASEABLE \*\* NON-GREASEABLE

RWD



**GMC (Cont'd)**

Year	Model	Description	Fig.	Location	Spicer Part #	SPL Part #	SVL Part #
1979-1980	G2500	6.6L; 2 Piece Driveshaft	B	3	5-178X*	5-1350-1X* 5-1350X**	15-178X
1979-1981	G2500	1 Piece Driveshaft; w/ Inside Snap Rings	A	1,2	5-3147X*	5-795X**	15-3147X
	G2500	1 Piece Driveshaft; w/ Outside Snap Rings	A	1,2	5-153X*	5-1310-1X* 5-1310X**	15-153X
	G2500	2 Piece Driveshaft	B	1	5-3147X*	5-795X**	15-3147X
1980	G2500	4.1L; 5.0L; 5.7L; 2 Piece Driveshaft	B	2,3	5-3147X*	5-795X**	15-3147X
1981	G2500	2 Piece Driveshaft; 1.062" Cup Dia.	B	2,3	5-153X*	5-1310-1X* 5-1310X**	15-153X
	G2500	2 Piece Driveshaft; 1.188" Cup Dia.	B	2,3	5-178X*	5-1350-1X* 5-1350X**	15-178X
1982-1989	G2500	1 Piece Driveshaft	A	1,2	5-3147X*	5-795X**	15-3147X
1984	G2500	Auto Trans; 2 Piece Driveshaft	B	1	5-3147X*	5-795X**	15-3147X
	G2500	Auto Trans; Exc. THM400; 2 Piece Driveshaft	B	2,3	5-3147X*	5-795X**	15-3147X
	G2500	Auto Trans; THM400; 2 Piece Driveshaft	B	2,3	5-178X*	5-1350-1X* 5-1350X**	15-178X
1985-1990	G2500	2 Piece Driveshaft	B	1,2,3	5-3147X*	5-795X**	15-3147X
1990	G2500	125.0" WB; 1 Piece Driveshaft; w/ Outside Snap Rings; w/ Aluminum Driveshaft	A	1		5-3614X	
	G2500	110.0" WB; 125.0" WB; 1 Piece Driveshaft; w/ Inside Snap Rings	A	1,2	5-3147X*	5-795X**	15-3147X
	G2500	125.0" WB; 1 Piece Driveshaft; w/ Inside & Outside Snap Rings; w/ Aluminum Driveshaft	A	2	5-212X*	5-793X**	
1991-1995	G2500	125.0" WB; w/ Outside Snap Rings; w/ Aluminum Driveshaft	A	1		5-3614X	
	G2500	110.0" WB; 125.0" WB; w/ Inside Snap Rings	A	1,2	5-3147X*	5-795X**	15-3147X
	G2500	125.0" WB; w/ Inside & Outside Snap Rings; w/ Aluminum Driveshaft	A	2	5-212X*	5-793X**	
1975	G35	6.6L; 1 Piece Driveshaft	A	1	5-213X*	5-1330-1X* 5-1330X**	15-213X
	G35	4.8L; 5.7L; 1 Piece Driveshaft	A	1,2	5-153X*	5-1310-1X* 5-1310X**	15-153X
	G35	6.6L; 1 Piece Driveshaft	A	2	5-178X*	5-1350-1X* 5-1350X**	15-178X
	G35	4.8L; 5.7L; 2 Piece Driveshaft	B	1	5-153X*	5-1310-1X* 5-1310X**	15-153X
	G35	6.6L; 2 Piece Driveshaft	B	1	5-213X*	5-1330-1X* 5-1330X**	15-213X
	G35	2 Piece Driveshaft	B	2,3	5-178X*	5-1350-1X* 5-1350X**	15-178X
1976-1977	G35	110.0" WB; 1 Piece Driveshaft	A	1	5-3147X*	5-795X**	15-3147X
	G35	125.0" WB; 1 Piece Driveshaft; 1.062" Cup Dia.	A	1,2	5-153X*	5-1310-1X* 5-1310X**	15-153X
	G35	125.0" WB; 1 Piece Driveshaft; 1.188" Cup Dia.	A	1,2	5-178X*	5-1350-1X* 5-1350X**	15-178X
	G35	110.0" WB; 1 Piece Driveshaft	A	2	5-178X*	5-1350-1X* 5-1350X**	15-178X
	G35	125.0" WB; 2 Piece Driveshaft; 1.062" Cup Dia.	B	1,2,3	5-153X*	5-1310-1X* 5-1310X**	15-153X
	G35	125.0" WB; 2 Piece Driveshaft; 1.188" Cup Dia.	B	1,2,3	5-178X*	5-1350-1X* 5-1350X**	15-178X

\* GREASEABLE \*\* NON-GREASEABLE

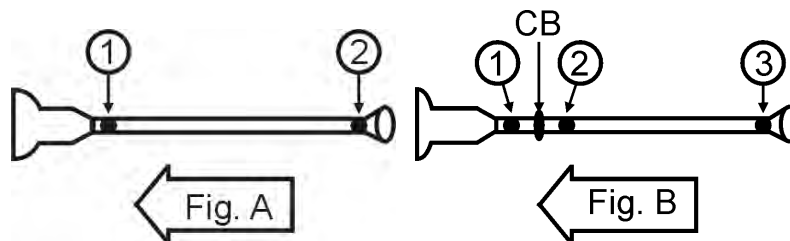
RWD

**GMC (Cont'd)**

Year	Model	Description	Fig.	Location	Spicer Part #	SPL Part #	SVL Part #
1978	G35	1 Piece Driveshaft; w/ Inside Snap Rings	A	1,2	5-3147X*	5-795X**	15-3147X
	G35	1 Piece Driveshaft; w/ Outside Snap Rings	A	1,2	5-178X*	5-1350-1X* 5-1350X**	15-178X
	G35	2 Piece Driveshaft; w/ Inside Snap Rings	B	1,2,3	5-3147X*	5-795X**	15-3147X
	G35	2 Piece Driveshaft; w/ Outside Snap Rings	B	1,2,3	5-178X*	5-1350-1X* 5-1350X**	15-178X
1970-1974	G35/G3500 Van	1 Piece Driveshaft; 1.062" Cup Dia.	A	1,2	5-153X*	5-1310-1X* 5-1310X**	15-153X
	G35/G3500 Van	1 Piece Driveshaft; 1.188" Cup Dia.	A	1,2	5-178X*	5-1350-1X* 5-1350X**	15-178X
	G35/G3500 Van	2 Piece Driveshaft; 1.062" Cup Dia.	B	1,2,3	5-153X*	5-1310-1X* 5-1310X**	15-153X
	G35/G3500 Van	2 Piece Driveshaft; 1.188" Cup Dia.	B	1,2,3	5-178X*	5-1350-1X* 5-1350X**	15-178X
1979-1981	G3500	1 Piece Driveshaft; w/ Inside Snap Rings	A	1,2	5-3147X*	5-795X**	15-3147X
	G3500	1 Piece Driveshaft; w/ Outside Snap Rings	A	1,2	5-178X*	5-1350-1X* 5-1350X**	15-178X
	G3500	2 Piece Driveshaft; w/ Inside Snap Rings	B	1,2,3	5-3147X*	5-795X**	15-3147X
	G3500	2 Piece Driveshaft; w/ Outside Snap Rings	B	1,2,3	5-178X*	5-1350-1X* 5-1350X**	15-178X
1982-1990	G3500	w/ Inside Snap Rings	B	1	5-3147X*	5-795X**	15-3147X
	G3500	w/ Outside Snap Rings	B	1	5-178X*	5-1350-1X* 5-1350X**	15-178X
	G3500		B	2,3	5-178X*	5-1350-1X* 5-1350X**	15-178X
1991-1996	G3500	125.0" WB; 1 Piece Driveshaft; w/ Aluminum Driveshaft	A	1,2		5-3615X	
	G3500	125.0" WB; 1 Piece Driveshaft; w/ Steel Driveshaft	A	1,2	5-178X*	5-1350-1X* 5-1350X**	15-178X
	G3500	146.0" WB; 2 Piece Driveshaft; w/ Aluminum Driveshaft	B	1,2,3		5-3615X	
	G3500	146.0" WB; 2 Piece Driveshaft; w/ Steel Driveshaft	B	1,2,3	5-178X*	5-1350-1X* 5-1350X**	15-178X
1970-1972	Jimmy	Auto Trans	A	1	5-213X*	5-1330-1X* 5-1330X**	15-213X
	Jimmy	Standard Trans	A	1,2	5-153X*	5-1310-1X* 5-1310X**	15-153X
	Jimmy	Auto Trans	A	2	5-153X*	5-1310-1X* 5-1310X**	15-153X
1973-1977	Jimmy		A	1,2	5-178X*	5-1350-1X* 5-1350X**	15-178X
1978-1981	Jimmy	3 Speed	A	1	5-153X*	5-1310-1X* 5-1310X**	15-153X
	Jimmy	Standard Trans; 4 Speed	A	1	5-178X*	5-1350-1X* 5-1350X**	15-178X
	Jimmy		A	2	5-153X*	5-1310-1X* 5-1310X**	15-153X
1982	Jimmy	3 Speed	A	1,2	5-3147X*	5-795X**	15-3147X
	Jimmy	Auto Trans; 4 Speed	A	1,2	5-3147X*	5-795X**	15-3147X
	Jimmy	Standard Trans; 4 Speed	A	1,2	5-178X*	5-1350-1X* 5-1350X**	15-178X
2000-2001	Jimmy	1 Piece Driveshaft	A	1,2	5-3147X*	5-795X**	15-3147X
2003-2004	Jimmy		A	1,2	5-3147X*	5-795X**	15-3147X
1966	P1000		B	CB	210527X		
1975-1978	P15	1 Piece Driveshaft; 1.062" Cup Dia.	A	1	5-153X*	5-1310-1X* 5-1310X**	15-153X
	P15	1 Piece Driveshaft; 1.188" Cup Dia.	A	1	5-178X*	5-1350-1X* 5-1350X**	15-178X
	P15	1 Piece Driveshaft	A	2	5-153X*	5-1310-1X* 5-1310X**	15-153X
	P15	2 Piece Driveshaft; 1.062" Cup Dia.	B	1	5-153X*	5-1310-1X* 5-1310X**	15-153X
	P15	2 Piece Driveshaft; 1.188" Cup Dia.	B	1	5-178X*	5-1350-1X* 5-1350X**	15-178X

\* GREASEABLE \*\* NON-GREASEABLE





**GMC (Cont'd)**

Year	Model	Description	Fig.	Location	Spicer Part #	SPL Part #	SVL Part #
1975-1978	P15	2 Piece Driveshaft	B	2,3	5-153X*	5-1310-1X* 5-1310X**	15-153X
	P15		B	CB	210527X		
1967-1974	P15/P1500 Van	1 Piece Driveshaft	A	1,2	5-153X*	5-1310-1X* 5-1310X**	15-153X
	P15/P1500 Van	2 Piece Driveshaft	B	1,2,3	5-153X*	5-1310-1X* 5-1310X**	15-153X
	P15/P1500 Van		B	CB	210527X		
1979-1980	P1500	1 Piece Driveshaft; 1.062" Cup Dia.	A	1	5-153X*	5-1310-1X* 5-1310X**	15-153X
	P1500	1 Piece Driveshaft; 1.188" Cup Dia.	A	1	5-178X*	5-1350-1X* 5-1350X**	15-178X
	P1500	1 Piece Driveshaft	A	2	5-153X*	5-1310-1X* 5-1310X**	15-153X
1975	P25	4 Speed; 2 Piece Driveshaft; 1.188" Cup Dia.	B	1	5-178X*	5-1350-1X* 5-1350X**	15-178X
	P25	2 Piece Driveshaft	B	2,3	5-178X*	5-1350-1X* 5-1350X**	15-178X
1975-1978	P25	3 Speed; 2 Piece Driveshaft; 1.062" Cup Dia.	B	1	5-153X*	5-1310-1X* 5-1310X**	15-153X
1976-1978	P25	3 Speed; 1 Piece Driveshaft; 1.062" Cup Dia.	A	1,2	5-153X*	5-1310-1X* 5-1310X**	15-153X
	P25	3 Speed; 4 Speed; 1 Piece Driveshaft; 1.188" Cup Dia.	A	1,2	5-178X*	5-1350-1X* 5-1350X**	15-178X
	P25	3 Speed; 4 Speed; 2 Piece Driveshaft; 1.188" Cup Dia.	B	1	5-178X*	5-1350-1X* 5-1350X**	15-178X
	P25	3 Speed; 2 Piece Driveshaft; 1.062" Cup Dia.	B	2	5-178X*	5-1350-1X* 5-1350X**	15-178X
	P25	3 Speed; 4 Speed; 2 Piece Driveshaft; 1.188" Cup Dia.	B	2	5-153X*	5-1310-1X* 5-1310X**	15-153X
	P25	2 Piece Driveshaft	B	3	5-178X*	5-1350-1X* 5-1350X**	15-178X
1967-1974	P25/P2500 Van	1 Piece Driveshaft	A	1,2	5-153X*	5-1310-1X* 5-1310X**	15-153X
	P25/P2500 Van	2 Piece Driveshaft; 1.062" Cup Dia.	B	1,2,3	5-153X*	5-1310-1X* 5-1310X**	15-153X
	P25/P2500 Van	2 Piece Driveshaft; 1.125" Cup Dia.	B	1,2,3	5-3147X*	5-795X**	15-3147X
1979	P2500	1.062" Cup Dia.	B	1	5-213X*	5-1330-1X* 5-1330X**	15-213X
	P2500	1.188" Cup Dia.	B	1	5-178X*	5-1350-1X* 5-1350X**	15-178X
	P2500	1.062" Cup Dia.; w/ Outside Snap Rings	B	2	5-213X*	5-1330-1X* 5-1330X**	15-213X
	P2500	1.188" Cup Dia.; w/ Outside Snap Rings	B	2	5-178X*	5-1350-1X* 5-1350X**	15-178X
	P2500	w/ Inside & Outside Snap Rings	B	2,3	5-212X*	5-793X**	
	P2500	w/ Outside Snap Rings	B	3	5-178X*	5-1350-1X* 5-1350X**	15-178X
	P2500		B	3	5-178X*	5-1350-1X* 5-1350X**	15-178X
1980-1981	P2500	Auto Trans; 3 Speed	B	1	5-153X*	5-1310-1X* 5-1310X**	15-153X
	P2500	Auto Trans; 4 Speed	B	1,2,3	5-178X*	5-1350-1X* 5-1350X**	15-178X

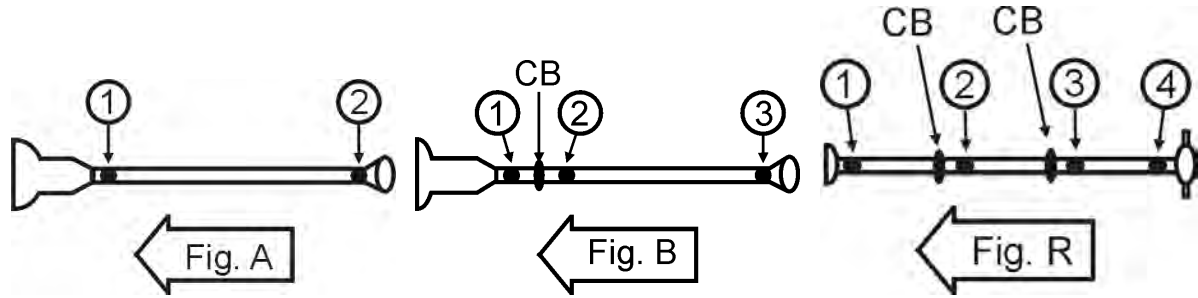
\* GREASEABLE \*\* NON-GREASEABLE

RWD

**GMC (Cont'd)**

Year	Model	Description	Fig.	Location	Spicer Part #	SPL Part #	SVL Part #
1980-1981	P2500	Standard Trans	B	1,2,3	5-178X*	5-1350-1X* 5-1350X**	15-178X
	P2500	Auto Trans; 3 Speed	B	2,3	5-3147X*	5-795X**	15-3147X
1982-1983	P2500	2 Piece Driveshaft	B	1,2	5-178X*	5-1350-1X* 5-1350X**	15-178X
	P2500	2 Piece Driveshaft	B	3	5-3147X*	5-795X**	15-3147X
1984	P2500	1 Piece Driveshaft	A	1,2	5-3147X*	5-795X**	15-3147X
	P2500	2 Piece Driveshaft	B	1,2,3	5-3147X*	5-795X**	15-3147X
1985-1989	P2500	1 Piece Driveshaft	A	1	5-178X*	5-1350-1X* 5-1350X**	15-178X
	P2500	1 Piece Driveshaft	A	2	5-3147X*	5-795X**	15-3147X
	P2500	2 Piece Driveshaft	B	1	5-178X*	5-1350-1X* 5-1350X**	15-178X
	P2500	2 Piece Driveshaft; w/ Inside Snap Rings	B	2,3	5-3147X*	5-795X**	15-3147X
	P2500	2 Piece Driveshaft; w/ Outside Snap Rings	B	2,3	5-178X*	5-1350-1X* 5-1350X**	15-178X
1975-1977	P35		B	1,2,3	5-178X*	5-1350-1X* 5-1350X**	15-178X
1978	P35	w/ Inside & Outside Snap Rings	B	1	5004989		15-1206X
	P35	3.469" O.D. Yoke; w/ Outside Snap Rings	B	1,2,3	5-153X*	5-1310-1X* 5-1310X**	15-153X
	P35	3.875" O.D. Yoke; w/ Outside Snap Rings	B	1,2,3	5-178X*	5-1350-1X* 5-1350X**	15-178X
	P35	4.438" O.D. Yoke; w/ Outside Snap Rings	B	1,3	5-160X*	5-1410-1X* 5-1410X**	15-160X
	P35	w/ Inside & Outside Snap Rings; 1330 Series	B	3	5-212X*	5-793X**	
	P35	w/ Inside & Outside Snap Rings; SPL36/055	B	3	5004989		15-1206X
1967-1974	P35/P3500 Van		B	1,2,3	5-178X*	5-1350-1X* 5-1350X**	15-178X
1979-1984	P3500	2 Piece Driveshaft; w/ 4.188" O.D. Yoke	B	1	5-160X*	5-1410-1X* 5-1410X**	15-160X
1979-1988	P3500	2 Piece Driveshaft; w/ 3.125" O.D. Yoke	B	1	5004989		15-1206X
	P3500	2 Piece Driveshaft; w/ 3.218" O.D. Yoke	B	1	5-153X*	5-1310-1X* 5-1310X**	15-153X
1982-1983	P3500	178.0" WB; 3 Piece Driveshaft	R	1,2,3	5-178X*	5-1350-1X* 5-1350X**	15-178X
	P3500	Exc. 178.0" WB; 3 Piece Driveshaft	R	1,2,3,4	5-178X*	5-1350-1X* 5-1350X**	15-178X
1984	P3500	178.0" WB; 3 Piece Driveshaft	R	4	5004989		15-1206X
	P3500	3 Piece Driveshaft	R	1,2,3	5-178X*	5-1350-1X* 5-1350X**	15-178X
	P3500	3 Piece Driveshaft	R	4	5-160X*	5-1410-1X* 5-1410X**	15-160X
1985-1987	P3500	178.0" WB; 3 Piece Driveshaft	R	1,2,3,4	5-178X*	5-1350-1X* 5-1350X**	15-178X
	P3500	208.0" WB; 3 Piece Driveshaft	R	1,2,3,4	5-160X*	5-1410-1X* 5-1410X**	15-160X
1988-1990	P3500	3 Piece Driveshaft; w/ 3.625" O.D. Yoke	R	1,2,3,4	5-178X*	5-1350-1X* 5-1350X**	15-178X
	P3500	3 Piece Driveshaft; w/ 4.188" O.D. Yoke	R	1,2,3,4	5-160X*	5-1410-1X* 5-1410X**	15-160X
1989-1990	P3500	2 Piece Driveshaft; w/ 3.125" O.D. Yoke	B	1,2,3	5004989		15-1206X
	P3500	2 Piece Driveshaft; w/ 3.218" O.D. Yoke	B	1,2,3	5-153X*	5-1310-1X* 5-1310X**	15-153X
1991-1995	P3500	Rear Drum Brakes; 1 Piece Driveshaft	A	1,2	5-178X*	5-1350-1X* 5-1350X**	15-178X
	P3500	Rear Disc Brakes; 2 Piece Driveshaft	B	1,2,3	5-160X*	5-1410-1X* 5-1410X**	15-160X
	P3500	Rear Drum Brakes; 2 Piece Driveshaft	B	1,2,3	5-178X*	5-1350-1X* 5-1350X**	15-178X
	P3500	Rear Disc Brakes; 3 Piece Driveshaft	R	1,2,3,4	5-160X*	5-1410-1X* 5-1410X**	15-160X

\* GREASEABLE \*\* NON-GREASEABLE



**GMC (Cont'd)**

Year	Model	Description	Fig.	Location	Spicer Part #	SPL Part #	SVL Part #
1991-1995	P3500	Rear Drum Brakes; 3 Piece Driveshaft	R	1,2,3,4	5-178X*	5-1350-1X* 5-1350X**	15-178X
1996-1997	P3500	110.0" WB; Rear Drum Brakes; 1 Piece Driveshaft	A	1,2	5-178X*	5-1350-1X* 5-1350X**	15-178X
	P3500	125.0" WB; 133.0" WB; 157.0" WB; 178.0" WB; Rear Drum Brakes; 2 Piece Driveshaft	B	1,2,3	5-178X*	5-1350-1X* 5-1350X**	15-178X
	P3500	157.0" WB; 178.0" WB; Rear Disc Brakes; 2 Piece Driveshaft	B	1,2,3	5-160X*	5-1410-1X* 5-1410X**	15-160X
	P3500	190.0" WB; 208.0" WB; Rear Disc Brakes; 3 Piece Driveshaft	R	1,2,3,4	5-160X*	5-1410-1X* 5-1410X**	15-160X
1996-1999	P3500	190.0" WB	B	CB	210873-1X		
1998-1999	P3500	1 Piece Driveshaft	A	1,2	5-178X*	5-1350-1X* 5-1350X**	15-178X
	P3500	2 Piece Driveshaft; w/ 3.625" O.D. Yoke	B	1,2,3	5-178X*	5-1350-1X* 5-1350X**	15-178X
	P3500	2 Piece Driveshaft; w/ 4.188" O.D. Yoke	B	1,2,3	5-160X*	5-1410-1X* 5-1410X**	15-160X
	P3500	3 Piece Driveshaft	R	1,2,3,4	5-160X*	5-1410-1X* 5-1410X**	15-160X
1987	R1500	1 Piece Driveshaft	A	1,2	5-3147X*	5-795X**	15-3147X
	R1500	2 Piece Driveshaft	B	1,2,3	5-3147X*	5-795X**	15-3147X
1987-1991	R1500 Suburban	1 Piece Driveshaft	A	1,2	5-3147X*	5-795X**	15-3147X
	R1500 Suburban	2 Piece Driveshaft; w/ Inside Snap Rings	B	1,2,3	5-3147X*	5-795X**	15-3147X
	R1500 Suburban	2 Piece Driveshaft; w/ Outside Snap Rings	B	1,2,3	5-178X*	5-1350-1X* 5-1350X**	15-178X
1987	R2500	w/ Inside Snap Rings	B	1,2,3	5-3147X*	5-795X**	15-3147X
	R2500	w/ Outside Snap Rings	B	1,2,3	5-178X*	5-1350-1X* 5-1350X**	15-178X
1988-1989	R2500	w/ Aluminum Shaft	B	1,2,3		5-3615X	
	R2500	w/ Steel Shaft	B	1,2,3	5-178X*	5-1350-1X* 5-1350X**	15-178X
1987-1991	R2500 Suburban	1 Piece Driveshaft	A	1,2	5-3147X*	5-795X**	15-3147X
	R2500 Suburban	2 Piece Driveshaft; w/ Inside Snap Rings	B	1,2,3	5-3147X*	5-795X**	15-3147X
	R2500 Suburban	2 Piece Driveshaft; w/ Outside Snap Rings	B	1,2,3	5-178X*	5-1350-1X* 5-1350X**	15-178X
1987-1991	R3500	1 Piece Driveshaft	A	1,2	5-3147X*	5-795X**	15-3147X
	R3500	2 Piece Driveshaft; w/ Inside Snap Rings	B	1,2,3	5-3147X*	5-795X**	15-3147X
	R3500	2 Piece Driveshaft; w/ Outside Snap Rings	B	1,2,3	5-178X*	5-1350-1X* 5-1350X**	15-178X
1982-1990	S15	1 Piece Driveshaft	A	1,2	5-3147X*	5-795X**	15-3147X
	S15	2 Piece Driveshaft	B	1,2,3	5-3147X*	5-795X**	15-3147X
1983-1991	S15 Jimmy	1 Piece Driveshaft	A	1,2	5-3147X*	5-795X**	15-3147X
	S15 Jimmy	2 Piece Driveshaft	B	1,2,3	5-3147X*	5-795X**	15-3147X
1985-1987	Safari		A	2	5-178X*	5-1350-1X* 5-1350X**	15-178X
1985-1999	Safari		A	1	5-3147X*	5-795X**	15-3147X
1988-1999	Safari	w/ Aluminum Shaft	A	2		5-3615X	
	Safari	w/ Steel Shaft	A	2	5-178X*	5-1350-1X* 5-1350X**	15-178X
2000-2003	Safari	1 Piece Driveshaft	A	1	5-3147X*	5-795X**	15-3147X

\* GREASEABLE \*\* NON-GREASEABLE

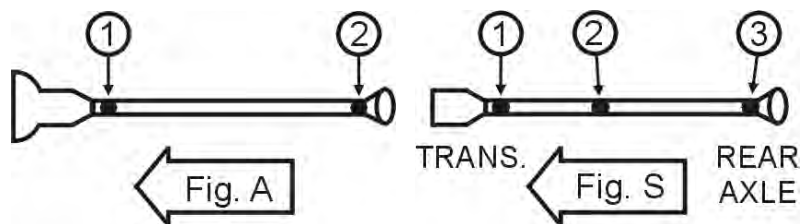
RWD

**GMC (Cont'd)**

Year	Model	Description	Fig.	Location	Spicer Part #	SPL Part #	SVL Part #
2000-2003	Safari	1 Piece Driveshaft	A	2	5-178X*	5-1350-1X* 5-1350X**	15-178X
2004-2005	Safari	1 Piece Driveshaft	A	1,2	5-3147X*	5-795X**	15-3147X
1996-1999	Savana 1500	w/ Aluminum Shaft	A	1,2		5-3615X	
	Savana 1500	w/ Steel Shaft	A	1,2	5-178X*	5-1350-1X* 5-1350X**	15-178X
2012-2013	Savana 1500	Base; 1 Piece Driveshaft	A	1,2	5-178X*	5-1350-1X* 5-1350X**	15-178X
	Savana 1500	LS; 1 Piece Driveshaft	A	1,2	5-178X*	5-1350-1X* 5-1350X**	15-178X
	Savana 1500	LT; 1 Piece Driveshaft	A	1,2	5-178X*	5-1350-1X* 5-1350X**	15-178X
2014	Savana 1500	1 Piece Driveshaft	A	1,2	5-178X*	5-1350-1X* 5-1350X**	15-178X
1996-1999	Savana 2500	135.0" WB; 1 Piece Driveshaft; w/ Aluminum Shaft	A	1,2		5-3615X	
	Savana 2500	135.0" WB; 1 Piece Driveshaft; w/ Steel Shaft	A	1,2	5-178X*	5-1350-1X* 5-1350X**	15-178X
	Savana 2500	155.0" WB; 2 Piece Driveshaft; w/ Aluminum Shaft	S	1,2,3		5-3615X	
	Savana 2500	155.0" WB; 2 Piece Driveshaft; w/ Steel Shaft	S	1,2,3	5-178X*	5-1350-1X* 5-1350X**	15-178X
2000	Savana 2500	135.0in WB; 1 Piece Driveshaft	A	1,2	5-178X*	5-1350-1X* 5-1350X**	15-178X
	Savana 2500	155.0in WB; 2 Piece Driveshaft	S	1,2,3	5-178X*	5-1350-1X* 5-1350X**	15-178X
2001	Savana 2500	V8 5.7L; 135.0in WB; 1 Piece Driveshaft	A	1,2	5-178X*	5-1350-1X* 5-1350X**	15-178X
	Savana 2500	V8 5.7L; 155.0in WB; 2 Piece Driveshaft	S	1,3	5-178X*	5-1350-1X* 5-1350X**	15-178X
2001-2002	Savana 2500	V8 5.0L; 135.0in WB; 1 Piece Driveshaft	A	1,2	5-178X*	5-1350-1X* 5-1350X**	15-178X
	Savana 2500	V8 6.5L; 135.0in WB; 1 Piece Driveshaft	A	1,2	5-178X*	5-1350-1X* 5-1350X**	15-178X
	Savana 2500	V6 4.3L; 155.0in WB; 2 Piece Driveshaft	S	1,3	5-178X*	5-1350-1X* 5-1350X**	15-178X
	Savana 2500	V8 5.0L; 155.0in WB; 2 Piece Driveshaft	S	1,3	5-178X*	5-1350-1X* 5-1350X**	15-178X
	Savana 2500	V8 6.5L; 155.0in WB; 2 Piece Driveshaft	S	1,3	5-178X*	5-1350-1X* 5-1350X**	15-178X
	Savana 2500	155.0in WB; 2 Piece Driveshaft	S	2	5-178X*	5-1350-1X* 5-1350X**	15-178X
2001-2005	Savana 2500	V6 4.3L; 135.0in WB; 1 Piece Driveshaft	A	1,2	5-178X*	5-1350-1X* 5-1350X**	15-178X
2002	Savana 2500	V8 5.7L; Bi-Fuel; 135.0in WB; 1 Piece Driveshaft	A	1,2	5-178X*	5-1350-1X* 5-1350X**	15-178X
	Savana 2500	V8 5.7L; Gas; 135.0in WB; 1 Piece Driveshaft	A	1,2	5-178X*	5-1350-1X* 5-1350X**	15-178X
	Savana 2500	V8 5.7L; Bi-Fuel; 155.0in WB; 2 Piece Driveshaft	S	1,3	5-178X*	5-1350-1X* 5-1350X**	15-178X
	Savana 2500	V8 5.7L; Gas; 155.0in WB; 2 Piece Driveshaft	S	1,3	5-178X*	5-1350-1X* 5-1350X**	15-178X
2003-2005	Savana 2500	V8 5.3L; 135.0in WB; 1 Piece Driveshaft	A	1,2	5-178X*	5-1350-1X* 5-1350X**	15-178X
	Savana 2500	V6 4.3L; 155.0in WB; 2 Piece Driveshaft	S	1,2,3	5-178X*	5-1350-1X* 5-1350X**	15-178X
	Savana 2500	V8 4.8L; 155.0in WB; 2 Piece Driveshaft	S	1,2,3	5-178X*	5-1350-1X* 5-1350X**	15-178X
	Savana 2500	V8 5.3L; 155.0in WB; 2 Piece Driveshaft	S	1,2,3	5-178X*	5-1350-1X* 5-1350X**	15-178X
	Savana 2500	V8 6.0L; CNG; 155.0in WB; 2 Piece Driveshaft	S	1,2,3	5-178X*	5-1350-1X* 5-1350X**	15-178X
	Savana 2500	V8 6.0L; Gas; 155.0in WB; 2 Piece Driveshaft	S	1,2,3	5-178X*	5-1350-1X* 5-1350X**	15-178X

\* GREASEABLE \*\* NON-GREASEABLE

RWD



GMC (Cont'd)

Year	Model	Description	Fig.	Location	Spicer Part #	SPL Part #	SVL Part #
2006	Savana 2500	V8 4.8L; 135.0in WB; 1 Piece Driveshaft	A	1	5-178X*	5-1350-1X* 5-1350X**	15-178X
	Savana 2500	V8 6.0L; 135.0in WB; 1 Piece Driveshaft	A	1	5-178X*	5-1350-1X* 5-1350X**	15-178X
	Savana 2500	135.0in WB; 1 Piece Driveshaft	A	2	5-178X*	5-1350-1X* 5-1350X**	15-178X
	Savana 2500	V8 4.8L; 155.0in WB; 2 Piece Driveshaft	S	1	5-178X*	5-1350-1X* 5-1350X**	15-178X
	Savana 2500	V8 6.0L; 155.0in WB; 2 Piece Driveshaft	S	1	5-178X*	5-1350-1X* 5-1350X**	15-178X
	Savana 2500	155.0in WB; 2 Piece Driveshaft	S	3	5-178X*	5-1350-1X* 5-1350X**	15-178X
2006-2007	Savana 2500	V8 6.6L; 135.0in WB; 1 Piece Driveshaft	A	1	5-178X*	5-1350-1X* 5-1350X**	15-178X
	Savana 2500	V8 6.6L; 155.0in WB; 2 Piece Driveshaft	S	1	5-178X*	5-1350-1X* 5-1350X**	15-178X
2006-2010	Savana 2500	V8 4.8L; Base; 155.0in WB; 2 Piece Driveshaft	S	2	5-178X*	5-1350-1X* 5-1350X**	15-178X
	Savana 2500	V8 6.0L; Base; 155.0in WB; 2 Piece Driveshaft	S	2	5-178X*	5-1350-1X* 5-1350X**	15-178X
	Savana 2500	V8 6.6L; Base; 155.0in WB; 2 Piece Driveshaft	S	2	5-178X*	5-1350-1X* 5-1350X**	15-178X
2007	Savana 2500	V8 4.8L; 135.0in WB; 1 Piece Driveshaft	A	1,2	5-178X*	5-1350-1X* 5-1350X**	15-178X
	Savana 2500	V8 6.0L; 135.0in WB; 1 Piece Driveshaft	A	1,2	5-178X*	5-1350-1X* 5-1350X**	15-178X
	Savana 2500	V8 6.6L; LLY Engine; 135.0in WB; 1 Piece Driveshaft	A	2	5-178X*	5-1350-1X* 5-1350X**	15-178X
	Savana 2500	V8 6.6L; LMM Engine; 135.0in WB; 1 Piece Driveshaft	A	2	5-178X*	5-1350-1X* 5-1350X**	15-178X
	Savana 2500	V8 4.8L; 155.0in WB; 2 Piece Driveshaft	S	1,3	5-178X*	5-1350-1X* 5-1350X**	15-178X
	Savana 2500	V8 6.0L; 155.0in WB; 2 Piece Driveshaft	S	1,3	5-178X*	5-1350-1X* 5-1350X**	15-178X
	Savana 2500	V8 6.6L; LLY Engine; 155.0in WB; 2 Piece Driveshaft	S	3	5-178X*	5-1350-1X* 5-1350X**	15-178X
	Savana 2500	V8 6.6L; LMM Engine; 155.0in WB; 2 Piece Driveshaft	S	3	5-178X*	5-1350-1X* 5-1350X**	15-178X
2008-2010	Savana 2500	V8 4.8L; 1 Piece Driveshaft	A	1	5-178X*	5-1350-1X* 5-1350X**	15-178X
	Savana 2500	V8 6.0L; 1 Piece Driveshaft	A	1	5-178X*	5-1350-1X* 5-1350X**	15-178X
	Savana 2500	V8 6.6L; 1 Piece Driveshaft	A	1	5-178X*	5-1350-1X* 5-1350X**	15-178X
	Savana 2500	1 Piece Driveshaft	A	2	5-178X*	5-1350-1X* 5-1350X**	15-178X
	Savana 2500	V8 4.8L; 2 Piece Driveshaft	S	1	5-178X*	5-1350-1X* 5-1350X**	15-178X
	Savana 2500	V8 6.0L; 2 Piece Driveshaft	S	1	5-178X*	5-1350-1X* 5-1350X**	15-178X
	Savana 2500	V8 6.6L; 2 Piece Driveshaft	S	1	5-178X*	5-1350-1X* 5-1350X**	15-178X
	Savana 2500	2 Piece Driveshaft	S	3	5-178X*	5-1350-1X* 5-1350X**	15-178X

\* GREASEABLE \*\* NON-GREASEABLE

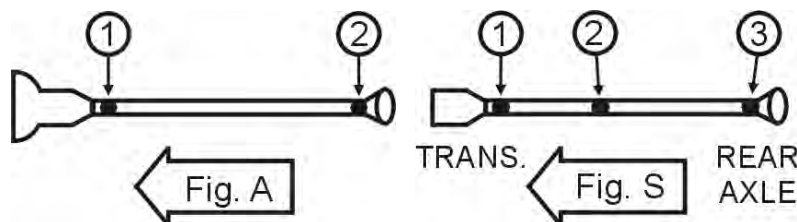
RWD

**GMC (Cont'd)**

Year	Model	Description	Fig.	Location	Spicer Part #	SPL Part #	SVL Part #
2011-2016	Savana 2500	V8 4.8L; 1 Piece Driveshaft	A	1,2	5-160X*	5-1410-1X* 5-1410X**	15-160X
	Savana 2500	V8 6.0L; 1 Piece Driveshaft	A	1,2	5-160X*	5-1410-1X* 5-1410X**	15-160X
	Savana 2500	V8 6.6L; 1 Piece Driveshaft	A	1,2	5-188X*	SPL55-1X* SPL55X**	15-188X
	Savana 2500	V8 4.8L; 2 Piece Driveshaft	S	1,3	5-160X*	5-1410-1X* 5-1410X**	15-160X
	Savana 2500	V8 6.0L; 2 Piece Driveshaft	S	1,3	5-160X*	5-1410-1X* 5-1410X**	15-160X
	Savana 2500	V8 6.6L; 2 Piece Driveshaft	S	1,3	5-188X*	SPL55-1X* SPL55X**	15-188X
	Savana 2500	V8 4.8L; Base; 155.0in WB; 2 Piece Driveshaft	S	2	5-160X*	5-1410-1X* 5-1410X**	15-160X
	Savana 2500	V8 6.0L; Base; 155.0in WB; 2 Piece Driveshaft	S	2	5-160X*	5-1410-1X* 5-1410X**	15-160X
	Savana 2500	V8 6.6L; Base; 155.0in WB; 2 Piece Driveshaft	S	2	5-188X*	SPL55-1X* SPL55X**	15-188X
1996-1999	Savana 3500	1 Piece Driveshaft; w/ Aluminum Yoke	A	1,2		5-3615X	
	Savana 3500	1 Piece Driveshaft; w/ Steel Yoke	A	1,2	5-178X*	5-1350-1X* 5-1350X**	15-178X
	Savana 3500	2 Piece Driveshaft; w/ Aluminum Yoke	S	1,2,3		5-3615X	
	Savana 3500	2 Piece Driveshaft; w/ Steel Yoke	S	1,2,3	5-178X*	5-1350-1X* 5-1350X**	15-178X
2000	Savana 3500	V8 5.7L; 135.0in WB; 1 Piece Driveshaft	A	1,2	5-178X*	5-1350-1X* 5-1350X**	15-178X
	Savana 3500	V8 6.5L; 135.0in WB; 1 Piece Driveshaft	A	1,2	5-178X*	5-1350-1X* 5-1350X**	15-178X
	Savana 3500	V8 7.4L; 135.0in WB; 1 Piece Driveshaft	A	1,2	5-178X*	5-1350-1X* 5-1350X**	15-178X
	Savana 3500	V8 7.4L; 139.0in WB; 2 Piece Driveshaft; Dual Rear Wheels	S	1,2,3	5-160X*	5-1410-1X* 5-1410X**	15-160X
	Savana 3500	V8 7.4L; 139.0in WB; 2 Piece Driveshaft; Single Rear Wheels	S	1,2,3	5-178X*	5-1350-1X* 5-1350X**	15-178X
	Savana 3500	V8 7.4L; 155.0in WB; 2 Piece Driveshaft; Dual Rear Wheels	S	1,2,3	5-160X*	5-1410-1X* 5-1410X**	15-160X
	Savana 3500	V8 7.4L; 155.0in WB; 2 Piece Driveshaft; Single Rear Wheels	S	1,2,3	5-178X*	5-1350-1X* 5-1350X**	15-178X
	Savana 3500	V8 7.4L; 159.0in WB; 2 Piece Driveshaft; Dual Rear Wheels	S	1,2,3	5-160X*	5-1410-1X* 5-1410X**	15-160X
	Savana 3500	V8 7.4L; 159.0in WB; 2 Piece Driveshaft; Single Rear Wheels	S	1,2,3	5-178X*	5-1350-1X* 5-1350X**	15-178X
	Savana 3500	V8 7.4L; 177.0in WB; 2 Piece Driveshaft; Dual Rear Wheels	S	1,2,3	5-160X*	5-1410-1X* 5-1410X**	15-160X
	Savana 3500	V8 7.4L; 177.0in WB; 2 Piece Driveshaft; Single Rear Wheels	S	1,2,3	5-178X*	5-1350-1X* 5-1350X**	15-178X
2000-2002	Savana 3500	V8 5.7L; 139.0in WB; 2 Piece Driveshaft	S	1,2,3	5-178X*	5-1350-1X* 5-1350X**	15-178X
	Savana 3500	V8 5.7L; 155.0in WB; 2 Piece Driveshaft	S	1,2,3	5-178X*	5-1350-1X* 5-1350X**	15-178X
	Savana 3500	V8 5.7L; 159.0in WB; 2 Piece Driveshaft	S	1,2,3	5-178X*	5-1350-1X* 5-1350X**	15-178X
	Savana 3500	V8 5.7L; 177.0in WB; 2 Piece Driveshaft	S	1,2,3	5-178X*	5-1350-1X* 5-1350X**	15-178X
	Savana 3500	V8 6.5L; 139.0in WB; 2 Piece Driveshaft	S	1,2,3	5-178X*	5-1350-1X* 5-1350X**	15-178X
	Savana 3500	V8 6.5L; 155.0in WB; 2 Piece Driveshaft	S	1,2,3	5-178X*	5-1350-1X* 5-1350X**	15-178X
	Savana 3500	V8 6.5L; 159.0in WB; 2 Piece Driveshaft	S	1,2,3	5-178X*	5-1350-1X* 5-1350X**	15-178X
	Savana 3500	V8 6.5L; 177.0in WB; 2 Piece Driveshaft	S	1,2,3	5-178X*	5-1350-1X* 5-1350X**	15-178X
2001-2002	Savana 3500	V8 8.1L; 139.0in WB; 2 Piece Driveshaft; Dual Rear Wheels	S	1,2,3	5-160X*	5-1410-1X* 5-1410X**	15-160X

\* GREASEABLE \*\* NON-GREASEABLE

RWD



GMC (Cont'd)

Year	Model	Description	Fig.	Location	Spicer Part #	SPL Part #	SVL Part #
2001-2002	Savana 3500	V8 8.1L; 139.0in WB; 2 Piece Driveshaft; Single Rear Wheels	S	1,2,3	5-178X*	5-1350-1X* 5-1350X**	15-178X
	Savana 3500	V8 8.1L; 155.0in WB; 2 Piece Driveshaft; Dual Rear Wheels	S	1,2,3	5-160X*	5-1410-1X* 5-1410X**	15-160X
	Savana 3500	V8 8.1L; 155.0in WB; 2 Piece Driveshaft; Single Rear Wheels	S	1,2,3	5-178X*	5-1350-1X* 5-1350X**	15-178X
	Savana 3500	V8 8.1L; 159.0in WB; 2 Piece Driveshaft; Dual Rear Wheels	S	1,2,3	5-160X*	5-1410-1X* 5-1410X**	15-160X
	Savana 3500	V8 8.1L; 159.0in WB; 2 Piece Driveshaft; Single Rear Wheels	S	1,2,3	5-178X*	5-1350-1X* 5-1350X**	15-178X
	Savana 3500	V8 8.1L; 177.0in WB; 2 Piece Driveshaft; Dual Rear Wheels	S	1,2,3	5-160X*	5-1410-1X* 5-1410X**	15-160X
	Savana 3500	V8 8.1L; 177.0in WB; 2 Piece Driveshaft; Single Rear Wheels	S	1,2,3	5-178X*	5-1350-1X* 5-1350X**	15-178X
2002	Savana 3500	V8 5.7L; Bi-Fuel; 135.0in WB; 1 Piece Driveshaft	A	1	5-178X*	5-1350-1X* 5-1350X**	15-178X
	Savana 3500	V8 5.7L; Gas; 135.0in WB; 1 Piece Driveshaft	A	1	5-178X*	5-1350-1X* 5-1350X**	15-178X
	Savana 3500	V8 6.5L; 135.0in WB; 1 Piece Driveshaft	A	1	5-178X*	5-1350-1X* 5-1350X**	15-178X
	Savana 3500	V8 8.1L; 135.0in WB; 1 Piece Driveshaft	A	1	5-178X*	5-1350-1X* 5-1350X**	15-178X
2002-2003	Savana 3500	135.0in WB; 1 Piece Driveshaft	A	2	5-178X*	5-1350-1X* 5-1350X**	15-178X
2003	Savana 3500	V8 6.0L; 135.0in WB; 1 Piece Driveshaft	A	1	5-178X*	5-1350-1X* 5-1350X**	15-178X
	Savana 3500	V8 6.0L; CNG; 139.0in WB; 1 Piece Driveshaft	A	1,2	5-160X*	5-1410-1X* 5-1410X**	15-160X
2003-2004	Savana 3500	V8 6.0L; Gas; 139.0in WB; 1 Piece Driveshaft	A	1,2	5-160X*	5-1410-1X* 5-1410X**	15-160X
	Savana 3500	V8 6.0L; CNG; 159.0in WB; 2 Piece Driveshaft	S	1	5-178X*	5-1350-1X* 5-1350X**	15-178X
2003-2005	Savana 3500	V8 6.0L; CNG; 177.0in WB; 2 Piece Driveshaft	S	1	5-178X*	5-1350-1X* 5-1350X**	15-178X
	Savana 3500	V8 6.0L; Gas; 159.0in WB; 2 Piece Driveshaft	S	1	5-178X*	5-1350-1X* 5-1350X**	15-178X
	Savana 3500	V8 6.0L; Gas; 177.0in WB; 2 Piece Driveshaft	S	1	5-178X*	5-1350-1X* 5-1350X**	15-178X
	Savana 3500	V8 6.0L; CNG; 155.0in WB; 2 Piece Driveshaft	S	1,2,3	5-178X*	5-1350-1X* 5-1350X**	15-178X
	Savana 3500	V8 6.0L; Gas; 155.0in WB; 2 Piece Driveshaft	S	1,2,3	5-178X*	5-1350-1X* 5-1350X**	15-178X
	Savana 3500	V8 6.0L; 177.0in WB; 2 Piece Driveshaft	S	2,3	5-160X*	5-1410-1X* 5-1410X**	15-160X
2003-2009	Savana 3500	V8 6.0L; 159.0in WB; 2 Piece Driveshaft	S	2,3	5-160X*	5-1410-1X* 5-1410X**	15-160X
2004	Savana 3500	V8 4.8L; 139.0in WB; 1 Piece Driveshaft	A	1,2	5-160X*	5-1410-1X* 5-1410X**	15-160X
2004-2006	Savana 3500	V8 4.8L; 177.0in WB; 2 Piece Driveshaft	S	1	5-178X*	5-1350-1X* 5-1350X**	15-178X
	Savana 3500	V8 4.8L; 177.0in WB; 2 Piece Driveshaft	S	2,3	5-160X*	5-1410-1X* 5-1410X**	15-160X
2004-2010	Savana 3500	V8 4.8L; 159.0in WB; 2 Piece Driveshaft	S	1	5-178X*	5-1350-1X* 5-1350X**	15-178X

\* GREASEABLE \*\* NON-GREASEABLE

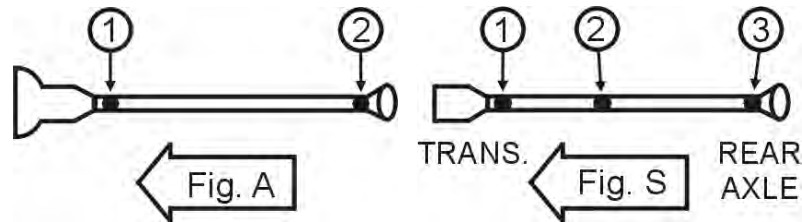
RWD

**GMC (Cont'd)**

Year	Model	Description	Fig.	Location	Spicer Part #	SPL Part #	SVL Part #
2004-2010	Savana 3500	V8 4.8L; 155.0in WB; 2 Piece Driveshaft	S	1,2,3	5-178X*	5-1350-1X* 5-1350X**	15-178X
	Savana 3500	V8 4.8L; 159.0in WB; 2 Piece Driveshaft	S	2,3	5-160X*	5-1410-1X* 5-1410X**	15-160X
2005-2007	Savana 3500	V8 4.8L; 139.0in WB; 1 Piece Driveshaft; Dual Rear Wheels	A	1,2	5-160X*	5-1410-1X* 5-1410X**	15-160X
2005-2009	Savana 3500	V8 6.0L; 139.0in WB; 1 Piece Driveshaft; Dual Rear Wheels	A	1,2	5-160X*	5-1410-1X* 5-1410X**	15-160X
	Savana 3500	V8 6.0L; 139.0in WB; 1 Piece Driveshaft; Single Rear Wheels	A	1,2	5-178X*	5-1350-1X* 5-1350X**	15-178X
2005-2010	Savana 3500	V8 4.8L; 139.0in WB; 1 Piece Driveshaft; Single Rear Wheels	A	1,2	5-178X*	5-1350-1X* 5-1350X**	15-178X
2006	Savana 3500	V8 6.0L; 177.0in WB; 2 Piece Driveshaft	S	1	5-178X*	5-1350-1X* 5-1350X**	15-178X
	Savana 3500	V8 6.6L; 177.0in WB; 2 Piece Driveshaft	S	1	5-178X*	5-1350-1X* 5-1350X**	15-178X
	Savana 3500	V8 6.6L; 177.0in WB; 2 Piece Driveshaft	S	2,3	5-160X*	5-1410-1X* 5-1410X**	15-160X
2006-2009	Savana 3500	V8 6.0L; 159.0in WB; 2 Piece Driveshaft	S	1	5-178X*	5-1350-1X* 5-1350X**	15-178X
	Savana 3500	V8 6.0L; 155.0in WB; 2 Piece Driveshaft	S	1,2,3	5-178X*	5-1350-1X* 5-1350X**	15-178X
2006-2010	Savana 3500	V8 6.6L; 139.0in WB; 1 Piece Driveshaft; Dual Rear Wheels	A	1,2	5-160X*	5-1410-1X* 5-1410X**	15-160X
	Savana 3500	V8 6.6L; 139.0in WB; 1 Piece Driveshaft; Single Rear Wheels	A	1,2	5-178X*	5-1350-1X* 5-1350X**	15-178X
2007	Savana 3500	V8 6.0L; 135.0in WB; 1 Piece Driveshaft	A	1,2	5-178X*	5-1350-1X* 5-1350X**	15-178X
	Savana 3500	V8 6.6L; LLY Engine; 135.0in WB; 1 Piece Driveshaft	A	1,2	5-178X*	5-1350-1X* 5-1350X**	15-178X
	Savana 3500	V8 6.6L; LMM Engine; 135.0in WB; 1 Piece Driveshaft	A	1,2	5-178X*	5-1350-1X* 5-1350X**	15-178X
	Savana 3500	V8 6.6L; LLY Engine; 159.0in WB; 2 Piece Driveshaft	S	1	5-178X*	5-1350-1X* 5-1350X**	15-178X
	Savana 3500	V8 6.6L; LMM Engine; 159.0in WB; 2 Piece Driveshaft	S	1	5-178X*	5-1350-1X* 5-1350X**	15-178X
	Savana 3500	V8 6.6L; LLY Engine; 155.0in WB; 2 Piece Driveshaft	S	1,2,3	5-178X*	5-1350-1X* 5-1350X**	15-178X
	Savana 3500	V8 6.6L; LMM Engine; 155.0in WB; 2 Piece Driveshaft	S	1,2,3	5-178X*	5-1350-1X* 5-1350X**	15-178X
	Savana 3500	V8 6.6L; LLY Engine; 159.0in WB; 2 Piece Driveshaft	S	2,3	5-160X*	5-1410-1X* 5-1410X**	15-160X
	Savana 3500	V8 6.6L; LMM Engine; 159.0in WB; 2 Piece Driveshaft	S	2,3	5-160X*	5-1410-1X* 5-1410X**	15-160X
2008	Savana 3500	V8 4.8L; 139.0in WB; 1 Piece Driveshaft; Dual Rear Wheels	A	1,2	5-178X*	5-1350-1X* 5-1350X**	15-178X
2008-2009	Savana 3500	135.0in WB; 1 Piece Driveshaft	A	1,2	5-178X*	5-1350-1X* 5-1350X**	15-178X
2008-2010	Savana 3500	V8 6.6L; 159.0in WB; 2 Piece Driveshaft	S	1	5-178X*	5-1350-1X* 5-1350X**	15-178X
	Savana 3500	V8 6.6L; 155.0in WB; 2 Piece Driveshaft	S	1,2,3	5-178X*	5-1350-1X* 5-1350X**	15-178X
	Savana 3500	V8 6.6L; 159.0in WB; 2 Piece Driveshaft	S	2,3	5-160X*	5-1410-1X* 5-1410X**	15-160X
2009-2010	Savana 3500	V8 4.8L; 139.0in WB; 1 Piece Driveshaft; Dual Rear Wheels	A	1,2	5-160X*	5-1410-1X* 5-1410X**	15-160X
2010	Savana 3500	V8 4.8L; 135.0in WB; 1 Piece Driveshaft	A	1,2	5-178X*	5-1350-1X* 5-1350X**	15-178X
	Savana 3500	V8 6.0L; 135.0in WB; 1 Piece Driveshaft	A	1,2	5-160X*	5-1410-1X* 5-1410X**	15-160X
	Savana 3500	V8 6.0L; 139.0in WB; 1 Piece Driveshaft; Dual Rear Wheels	A	1,2	5-188X*	SPL55-1X* SPL55X**	15-188X
	Savana 3500	V8 6.0L; 139.0in WB; 1 Piece Driveshaft; Single Rear Wheels	A	1,2	5-160X*	5-1410-1X* 5-1410X**	15-160X

\* GREASEABLE \*\* NON-GREASEABLE





GMC (Cont'd)

Year	Model	Description	Fig.	Location	Spicer Part #	SPL Part #	SVL Part #
2010	Savana 3500	V8 6.6L; 135.0in WB; 1 Piece Driveshaft	A	1,2	5-178X*	5-1350-1X* 5-1350X**	15-178X
	Savana 3500	V8 6.0L; 159.0in WB; 2 Piece Driveshaft	S	1	5-160X*	5-1410-1X* 5-1410X**	15-160X
	Savana 3500	V8 6.0L; 155.0in WB; 2 Piece Driveshaft	S	1,2,3	5-160X*	5-1410-1X* 5-1410X**	15-160X
2010-2016	Savana 3500	V8 6.0L; 159.0in WB; 2 Piece Driveshaft	S	2,3	5-188X*	SPL55-1X* SPL55X**	15-188X
2011	Savana 3500	135.0in WB; 1 Piece Driveshaft	A	2	5-188X*	SPL55-1X* SPL55X**	15-188X
	Savana 3500	135.0in WB; 2 Piece Driveshaft	S	1	5-188X*	SPL55-1X* SPL55X**	15-188X
2011-2016	Savana 3500	V8 4.8L; 155.0in WB; 1 Piece Driveshaft	A	1	5-160X*	5-1410-1X* 5-1410X**	15-160X
	Savana 3500	V8 4.8L; 159.0in WB; 1 Piece Driveshaft	A	1	5-188X*	SPL55-1X* SPL55X**	15-188X
	Savana 3500	V8 4.8L; 177.0in WB; 1 Piece Driveshaft	A	1	5-188X*	SPL55-1X* SPL55X**	15-188X
	Savana 3500	V8 6.0L; 155.0in WB; 1 Piece Driveshaft	A	1	5-160X*	5-1410-1X* 5-1410X**	15-160X
	Savana 3500	V8 6.0L; 159.0in WB; 1 Piece Driveshaft	A	1	5-188X*	SPL55-1X* SPL55X**	15-188X
	Savana 3500	V8 6.0L; 177.0in WB; 1 Piece Driveshaft	A	1	5-188X*	SPL55-1X* SPL55X**	15-188X
	Savana 3500	V8 6.6L; 155.0in WB; 1 Piece Driveshaft	A	1	5-188X*	SPL55-1X* SPL55X**	15-188X
	Savana 3500	V8 6.6L; 159.0in WB; 1 Piece Driveshaft	A	1	5-188X*	SPL55-1X* SPL55X**	15-188X
	Savana 3500	V8 6.6L; 177.0in WB; 1 Piece Driveshaft	A	1	5-188X*	SPL55-1X* SPL55X**	15-188X
	Savana 3500	V8 4.8L; 139.0in WB; 1 Piece Driveshaft	A	2	5-188X*	SPL55-1X* SPL55X**	15-188X
	Savana 3500	V8 6.0L; 139.0in WB; 1 Piece Driveshaft	A	2	5-188X*	SPL55-1X* SPL55X**	15-188X
	Savana 3500	V8 6.6L; 139.0in WB; 1 Piece Driveshaft	A	2	5-188X*	SPL55-1X* SPL55X**	15-188X
	Savana 3500	V8 4.8L; 139.0in WB; 2 Piece Driveshaft	S	1	5-188X*	SPL55-1X* SPL55X**	15-188X
	Savana 3500	V8 6.0L; 139.0in WB; 2 Piece Driveshaft	S	1	5-188X*	SPL55-1X* SPL55X**	15-188X
	Savana 3500	V8 6.6L; 139.0in WB; 2 Piece Driveshaft	S	1	5-188X*	SPL55-1X* SPL55X**	15-188X
	Savana 3500	V8 4.8L; 155.0in WB; 2 Piece Driveshaft	S	2,3	5-160X*	5-1410-1X* 5-1410X**	15-160X
	Savana 3500	V8 4.8L; 159.0in WB; 2 Piece Driveshaft	S	2,3	5-188X*	SPL55-1X* SPL55X**	15-188X
	Savana 3500	V8 4.8L; 177.0in WB; 2 Piece Driveshaft	S	2,3	5-188X*	SPL55-1X* SPL55X**	15-188X
	Savana 3500	V8 6.0L; 155.0in WB; 2 Piece Driveshaft	S	2,3	5-160X*	5-1410-1X* 5-1410X**	15-160X
	Savana 3500	V8 6.0L; 177.0in WB; 2 Piece Driveshaft	S	2,3	5-188X*	SPL55-1X* SPL55X**	15-188X
	Savana 3500	V8 6.6L; 155.0in WB; 2 Piece Driveshaft	S	2,3	5-188X*	SPL55-1X* SPL55X**	15-188X

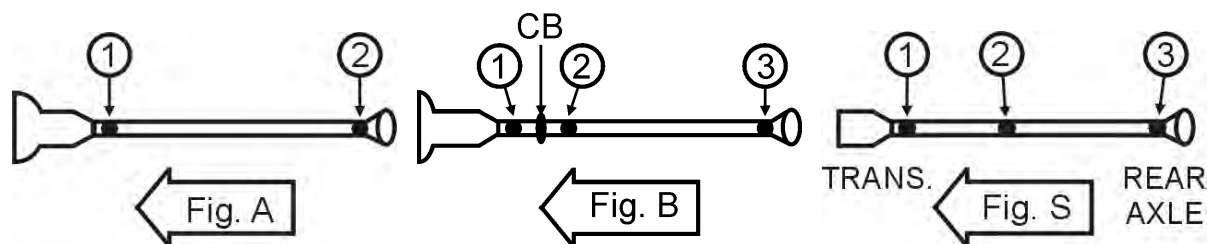
\* GREASEABLE \*\* NON-GREASEABLE

**GMC (Cont'd)**

Year	Model	Description	Fig.	Location	Spicer Part #	SPL Part #	SVL Part #
2011-2016	Savana 3500	V8 6.6L; 159.0in WB; 2 Piece Driveshaft	S	2,3	5-188X*	SPL55-1X* SPL55X**	15-188X
	Savana 3500	V8 6.6L; 177.0in WB; 2 Piece Driveshaft	S	2,3	5-188X*	SPL55-1X* SPL55X**	15-188X
2012-2016	Savana 3500	V8 4.8L; 135.0in WB; 1 Piece Driveshaft	A	2	5-188X*	SPL55-1X* SPL55X**	15-188X
	Savana 3500	V8 6.0L; 135.0in WB; 1 Piece Driveshaft	A	2	5-188X*	SPL55-1X* SPL55X**	15-188X
	Savana 3500	V8 6.6L; 135.0in WB; 1 Piece Driveshaft	A	2	5-188X*	SPL55-1X* SPL55X**	15-188X
	Savana 3500	V8 4.8L; 135.0in WB; 2 Piece Driveshaft	S	1	5-188X*	SPL55-1X* SPL55X**	15-188X
	Savana 3500	V8 6.0L; 135.0in WB; 2 Piece Driveshaft	S	1	5-188X*	SPL55-1X* SPL55X**	15-188X
	Savana 3500	V8 6.6L; 135.0in WB; 2 Piece Driveshaft	S	1	5-188X*	SPL55-1X* SPL55X**	15-188X
	Savana 3500	V8 6.6L; 135.0in WB; 2 Piece Driveshaft	S	1	5-188X*	SPL55-1X* SPL55X**	15-188X
2009-2016	Savana 4500	1 Piece Driveshaft	A	1	5-188X*	SPL55-1X* SPL55X**	15-188X
	Savana 4500	2 Piece Driveshaft	S	2,3	5-188X*	SPL55-1X* SPL55X**	15-188X
1999-2000	Sierra 1500	Extended Cab; 78.0" Bed; 1 Piece Driveshaft	A	1	5-213X*	5-1330-1X* 5-1330X**	15-213X
	Sierra 1500	Standard Cab; 96.0" Bed; 1 Piece Driveshaft	A	1	5-213X*	5-1330-1X* 5-1330X**	15-213X
	Sierra 1500	Standard Cab; 78.0" Bed; 1 Piece Driveshaft	A	1,2	5-3147X*	5-795X**	15-3147X
	Sierra 1500	Extended Cab; 78.0" Bed; 1 Piece Driveshaft	A	2	5-212X*	5-793X**	
	Sierra 1500	Standard Cab; 96.0" Bed; 1 Piece Driveshaft	A	2	5-212X*	5-793X**	
2001-2003	Sierra 1500	Standard Cab; 96.0" Bed; 1 Piece Driveshaft; 1.062" Cup Dia.; w/ Aluminum Yoke	A	1		5-3614X	
	Sierra 1500	Standard Cab; 96.0" Bed; 1 Piece Driveshaft; 1.062" Cup Dia.; w/ Steel Yoke	A	1	5-213X*	5-1330-1X* 5-1330X**	15-213X
	Sierra 1500	Standard Cab; 96.0" Bed; 1 Piece Driveshaft; w/ Inside & Outside Snap Rings	A	2	5-212X*	5-793X**	
2001-2004	Sierra 1500	Standard Cab; 78.0" Bed; 1 Piece Driveshaft; 1.125" Cup Dia.	A	1	5-3147X*	5-795X**	15-3147X
	Sierra 1500	Standard Cab; 78.0" Bed; 1 Piece Driveshaft; w/ Inside Snap Rings	A	2	5-3147X*	5-795X**	15-3147X
2002-2004	Sierra 1500	Extended Cab; Standard Trans; 2 Piece Driveshaft; w/o Quadrasteer	B	1,2	5-213X*	5-1330-1X* 5-1330X**	15-213X
	Sierra 1500	Extended Cab; 2 Piece Driveshaft; w/ Quadrasteer	B	1,2,3	5-3147X*	5-795X**	15-3147X
	Sierra 1500	Extended Cab; Auto Trans; 2 Piece Driveshaft; w/o Quadrasteer	B	1,2,3	5-3147X*	5-795X**	15-3147X
	Sierra 1500	Extended Cab; Standard Trans; 2 Piece Driveshaft; w/o Quadrasteer	B	3	5-212X*	5-793X**	
2004	Sierra 1500	Crew Cab; Standard Cab; 96.0" Bed; 1 Piece Driveshaft; 1.062" Cup Dia.; w/ Aluminum Yoke	A	1		5-3614X	
	Sierra 1500	Crew Cab; Standard Cab; 96.0" Bed; 1 Piece Driveshaft; 1.062" Cup Dia.; w/ Steel Yoke	A	1	5-213X*	5-1330-1X* 5-1330X**	15-213X
	Sierra 1500	Crew Cab; Standard Cab; 96.0" Bed; 1 Piece Driveshaft; w/ Inside & Outside Snap Rings	A	2	5-212X*	5-793X**	
2005	Sierra 1500	Crew Cab; Standard Cab; 1 Piece Driveshaft; 1.062" Cup Dia.; w/ Aluminum Yoke	A	1		5-3614X	
	Sierra 1500	Crew Cab; Standard Cab; 1 Piece Driveshaft; 1.062" Cup Dia.; w/ Steel Yoke	A	1	5-213X*	5-1330-1X* 5-1330X**	15-213X
	Sierra 1500	Crew Cab; Standard Cab; 1 Piece Driveshaft; w/ Inside & Outside Snap Rings	A	2	5-212X*	5-793X**	
	Sierra 1500	Extended Cab; Standard Trans; 2 Piece Driveshaft; w/ Aluminum Yoke	B	1,2		5-3614X	
	Sierra 1500	Extended Cab; Standard Trans; 2 Piece Driveshaft; w/ Steel Yoke	B	1,2	5-213X*	5-1330-1X* 5-1330X**	15-213X
	Sierra 1500	Extended Cab; Auto Trans; 2 Piece Driveshaft	B	1,2,3	5-3147X*	5-795X**	15-3147X

\* GREASEABLE \*\* NON-GREASEABLE

D W R



GMC (Cont'd)

Year	Model	Description	Fig.	Location	Spicer Part #	SPL Part #	SVL Part #
2005	Sierra 1500	Extended Cab; Standard Trans; 2 Piece Driveshaft	B	3	5-212X*	5-793X**	
2005-2006	Sierra 1500	Standard Cab; 1 Piece Driveshaft; 1.125" Cup Dia.	A	1	5-3147X*	5-795X**	15-3147X
	Sierra 1500	Standard Cab; 1 Piece Driveshaft; w/ Inside Snap Rings	A	2	5-3147X*	5-795X**	15-3147X
2006	Sierra 1500	Crew Cab; 1 Piece Driveshaft; 1.188" Cup Dia.; w/ Quadrasteer; w/ Aluminum Yoke	A	1		5-3615X	
	Sierra 1500	Crew Cab; 1 Piece Driveshaft; 1.188" Cup Dia.; w/ Quadrasteer; w/ Steel Yoke	A	1	5-178X*	5-1350-1X* 5-1350X**	15-178X
	Sierra 1500	Crew Cab; Standard Cab; 1 Piece Driveshaft; 1.062" Cup Dia.; w/o Quadrasteer; w/ Aluminum Yoke	A	1		5-3614X	
	Sierra 1500	Crew Cab; Standard Cab; 1 Piece Driveshaft; 1.062" Cup Dia.; w/o Quadrasteer; w/ Steel Yoke	A	1	5-213X*	5-1330-1X* 5-1330X**	15-213X
	Sierra 1500	Crew Cab; 1 Piece Driveshaft; w/ Outside Snap Rings; w/ Quadrasteer; w/ Aluminum Yoke	A	2		5-3615X	
	Sierra 1500	Crew Cab; 1 Piece Driveshaft; w/ Outside Snap Rings; w/ Quadrasteer; w/ Steel Yoke	A	2	5-178X*	5-1350-1X* 5-1350X**	15-178X
	Sierra 1500	Crew Cab; Standard Cab; 1 Piece Driveshaft; w/ Inside & Outside Snap Rings; w/o Quadrasteer	A	2	5-212X*	5-793X**	
	Sierra 1500	Extended Cab; 2 Piece Driveshaft; 1.062" Cup Dia.; w/ Aluminum Yoke	B	1		5-3614X	
	Sierra 1500	Extended Cab; 2 Piece Driveshaft; 1.062" Cup Dia.; w/ Steel Yoke	B	1	5-213X*	5-1330-1X* 5-1330X**	15-213X
	Sierra 1500	Extended Cab; 2 Piece Driveshaft; 1.125" Cup Dia.	B	1	5-3147X*	5-795X**	15-3147X
	Sierra 1500	Extended Cab; 2 Piece Driveshaft; 1.062" Cup Dia.; w/ Aluminum Yoke	B	2	5-212X*	5-793X**	
	Sierra 1500	Extended Cab; 2 Piece Driveshaft; 1.062" Cup Dia.; w/ Steel Yoke	B	2	5-212X*	5-793X**	
	Sierra 1500	Extended Cab; 2 Piece Driveshaft; 1.125" Cup Dia.	B	2	5-178X*	5-1350-1X* 5-1350X**	15-178X
	Sierra 1500	Extended Cab; 1 Piece Driveshaft; w/ Inside & Outside Snap Rings	B	3	5-212X*	5-793X**	
Sierra 1500	Extended Cab; 1 Piece Driveshaft; w/ Inside Snap Rings	B	3	5-3147X*	5-795X**	15-3147X	
2007-2013	Sierra 1500	1 Piece Driveshaft	A	1,2	5-178X*	5-1350-1X* 5-1350X**	15-178X
	Sierra 1500	2 Piece Driveshaft	S	1,2,3	5-178X*	5-1350-1X* 5-1350X**	15-178X
2014-2016	Sierra 1500	V6 4.3L; 1 Piece Driveshaft	A	1,2	5-3147X*	5-795X**	15-3147X
	Sierra 1500	V8 5.3L; 1 Piece Driveshaft	A	1,2	5-160X*	5-1410-1X* 5-1410X**	15-160X
	Sierra 1500	V8 6.2L; 1 Piece Driveshaft	A	1,2	5-160X*	5-1410-1X* 5-1410X**	15-160X
2007	Sierra 1500 Classic	Crew Cab; 1 Piece Driveshaft; w/ Aluminum Yoke	A	1		5-3614X	
	Sierra 1500 Classic	Crew Cab; 1 Piece Driveshaft; w/ Steel Yoke	A	1	5-213X*	5-1330-1X* 5-1330X**	15-213X

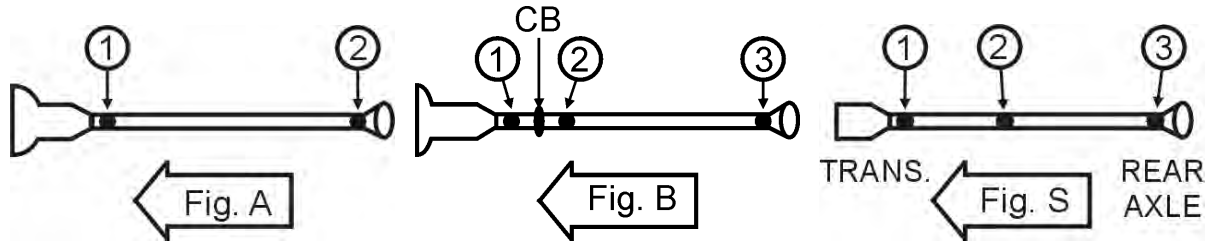
\* GREASEABLE \*\* NON-GREASEABLE

R  
W  
D

**GMC (Cont'd)**

Year	Model	Description	Fig.	Location	Spicer Part #	SPL Part #	SVL Part #
2007	Sierra 1500 Classic	Standard Cab; 96.0" Bed; 1 Piece Driveshaft; w/ Aluminum Yoke	A	1		5-3614X	
	Sierra 1500 Classic	Standard Cab; 96.0" Bed; 1 Piece Driveshaft; w/ Steel Yoke	A	1	5-213X*	5-1330-1X* 5-1330X**	15-213X
	Sierra 1500 Classic	Standard Cab; 78.0" Bed; 1 Piece Driveshaft	A	1,2	5-3147X*	5-795X**	15-3147X
	Sierra 1500 Classic	Crew Cab; 1 Piece Driveshaft	A	2	5-212X*	5-793X**	
	Sierra 1500 Classic	Standard Cab; 96.0" Bed; 1 Piece Driveshaft	A	2	5-212X*	5-793X**	
	Sierra 1500 Classic	Extended Cab; Standard Trans; 2 Piece Driveshaft; w/ Aluminum Yoke	B	1,2		5-3614X	
	Sierra 1500 Classic	Extended Cab; Standard Trans; 2 Piece Driveshaft; w/ Steel Yoke	B	1,2	5-213X*	5-1330-1X* 5-1330X**	15-213X
	Sierra 1500 Classic	Extended Cab; Auto Trans; 2 Piece Driveshaft	B	1,2,3	5-3147X*	5-795X**	15-3147X
	Sierra 1500 Classic	Extended Cab; Standard Trans; 2 Piece Driveshaft	B	3	5-212X*	5-793X**	
2002-2003	Sierra 1500 HD		B	1,2,3	5-178X*	5-1350-1X* 5-1350X**	15-178X
2005-2006	Sierra 1500 HD	w/ Aluminum Yoke	B	1,2,3		5-3615X	
	Sierra 1500 HD	w/ Steel Yoke	B	1,2,3	5-178X*	5-1350-1X* 5-1350X**	15-178X
2007	Sierra 1500 HD Classic		B	1,2,3	5-178X*	5-1350-1X* 5-1350X**	15-178X
1999-2000	Sierra 2500	Auto Trans; w/ Aluminum Yoke	B	1,2,3		5-3615X	
	Sierra 2500	Auto Trans; w/ Steel Yoke	B	1,2,3	5-178X*	5-1350-1X* 5-1350X**	15-178X
	Sierra 2500	Standard Trans; w/ Aluminum Yoke	B	1,2,3		5-3616X	
	Sierra 2500	Standard Trans; w/ Steel Yoke	B	1,2,3	5-160X*	5-1410-1X* 5-1410X**	15-160X
2001-2004	Sierra 2500	w/ Aluminum Yoke	B	1,2,3		5-3615X	
	Sierra 2500	w/ Steel Yoke	B	1,2,3	5-178X*	5-1350-1X* 5-1350X**	15-178X
2001-2004	Sierra 2500 HD	Auto Trans; 8.1L	B	1,2,3	5-160X*	5-1410-1X* 5-1410X**	15-160X
	Sierra 2500 HD	Crew Cab; Standard Cab; 96.0" Bed; 6.0L	B	1,2,3	5-160X*	5-1410-1X* 5-1410X**	15-160X
	Sierra 2500 HD	Standard Trans; 8.1L	B	1,2,3	5-188X*	SPL55-1X* SPL55X**	15-188X
2001-2006	Sierra 2500 HD	Extended Cab; 96.0" Bed; 6.0L	B	1,2,3	5-3207X**		
2005-2006	Sierra 2500 HD	Auto Trans; 6.6L; 8.1L	B	1,2,3	5-160X*	5-1410-1X* 5-1410X**	15-160X
	Sierra 2500 HD	Crew Cab; Extended Cab; Standard Cab; 78.0" Bed; 6.0L	B	1,2,3	5-160X*	5-1410-1X* 5-1410X**	15-160X
	Sierra 2500 HD	Standard Trans; 6.6L; 8.1L	B	1,2,3	5-188X*	SPL55-1X* SPL55X**	15-188X
	Sierra 2500 HD	6.0L; w/ AAM 1485 Series Driveshaft	S	1,2,3	5-3206X		
2007-2010	Sierra 2500 HD	6.6L; w/ Spicer Driveshaft	S	1,2,3	5-160X*	5-1410-1X* 5-1410X**	15-160X
	Sierra 2500 HD	6.6L; w/ Spicer Driveshaft	S	1,2,3	5-160X*	5-1410-1X* 5-1410X**	15-160X
2008-2010	Sierra 2500 HD	6.0L; Exc. 133.0" WB; w/ AAM 1485 Series Driveshaft	S	1,2,3	5-3206X		
2011	Sierra 2500 HD	w/ AAM 1415 Series Driveshaft	S	1	5-3207X**		
	Sierra 2500 HD	w/ Spicer Driveshaft	S	1,3	5-160X*	5-1410-1X* 5-1410X**	15-160X
	Sierra 2500 HD	6.0L; w/ AAM 1415 Series Driveshaft	S	2	5-3207X**		
	Sierra 2500 HD	6.6L; w/ AAM 1485 Series Driveshaft	S	2	5-3206X		
	Sierra 2500 HD	6.6L; w/ Spicer Driveshaft	S	2	5-160X*	5-1410-1X* 5-1410X**	15-160X
	Sierra 2500 HD	w/ AAM 1485 Series Driveshaft	S	3	5-3206X		
2012-2013	Sierra 2500 HD		S	1	5-3207X**		
	Sierra 2500 HD	6.0L	S	2	5-3207X**		
	Sierra 2500 HD	6.6L	S	2	5-3206X		

\* GREASEABLE \*\* NON-GREASEABLE



**GMC (Cont'd)**

Year	Model	Description	Fig.	Location	Spicer Part #	SPL Part #	SVL Part #
2012-2013	Sierra 2500 HD		S	3	5-3206X		
2014	Sierra 2500 HD	V8 6.6L; WT; 2 Piece Driveshaft	S	1	5-160X*	5-1410-1X* 5-1410X**	15-160X
	Sierra 2500 HD	V8 6.0L; WT; 133.6in WB; 2 Piece Driveshaft	S	2	5-160X*	5-1410-1X* 5-1410X**	15-160X
	Sierra 2500 HD	V8 6.0L; WT; 153.7in WB; 2 Piece Driveshaft	S	2	5-160X*	5-1410-1X* 5-1410X**	15-160X
	Sierra 2500 HD	V8 6.0L; WT; 167.7in WB; 2 Piece Driveshaft	S	2	5-160X*	5-1410-1X* 5-1410X**	15-160X
	Sierra 2500 HD	V8 6.6L; WT; 2 Piece Driveshaft	S	2,3	5-188X*	SPL55-1X* SPL55X**	15-188X
	Sierra 2500 HD	V8 6.0L; WT; 153.7in WB; 2 Piece Driveshaft	S	3	5-188X*	SPL55-1X* SPL55X**	15-188X
	Sierra 2500 HD	V8 6.0L; WT; 167.7in WB; 2 Piece Driveshaft	S	3	5-188X*	SPL55-1X* SPL55X**	15-188X
2014-2016	Sierra 2500 HD	V8 6.6L; SLE; 2 Piece Driveshaft	S	1	5-160X*	5-1410-1X* 5-1410X**	15-160X
	Sierra 2500 HD	V8 6.6L; SLT; 2 Piece Driveshaft	S	1	5-160X*	5-1410-1X* 5-1410X**	15-160X
	Sierra 2500 HD	V8 6.0L; SLE; 133.6in WB; 2 Piece Driveshaft	S	2	5-160X*	5-1410-1X* 5-1410X**	15-160X
	Sierra 2500 HD	V8 6.0L; SLE; 153.7in WB; 2 Piece Driveshaft	S	2	5-160X*	5-1410-1X* 5-1410X**	15-160X
	Sierra 2500 HD	V8 6.0L; SLE; 167.7in WB; 2 Piece Driveshaft	S	2	5-160X*	5-1410-1X* 5-1410X**	15-160X
	Sierra 2500 HD	V8 6.0L; SLT; 2 Piece Driveshaft	S	2	5-160X*	5-1410-1X* 5-1410X**	15-160X
	Sierra 2500 HD	V8 6.6L; SLE; 2 Piece Driveshaft	S	2,3	5-188X*	SPL55-1X* SPL55X**	15-188X
	Sierra 2500 HD	V8 6.6L; SLT; 2 Piece Driveshaft	S	2,3	5-188X*	SPL55-1X* SPL55X**	15-188X
	Sierra 2500 HD	V8 6.0L; SLE; 153.7in WB; 2 Piece Driveshaft	S	3	5-188X*	SPL55-1X* SPL55X**	15-188X
	Sierra 2500 HD	V8 6.0L; SLE; 167.7in WB; 2 Piece Driveshaft	S	3	5-188X*	SPL55-1X* SPL55X**	15-188X
	Sierra 2500 HD	V8 6.0L; SLT; 2 Piece Driveshaft	S	3	5-188X*	SPL55-1X* SPL55X**	15-188X
2015-2016	Sierra 2500 HD	V8 6.0L; Base; 133.6in WB; 2 Piece Driveshaft	S	2	5-160X*	5-1410-1X* 5-1410X**	15-160X
	Sierra 2500 HD	V8 6.0L; Base; 144.2in WB; 2 Piece Driveshaft	S	2	5-160X*	5-1410-1X* 5-1410X**	15-160X
	Sierra 2500 HD	V8 6.0L; Base; 153.7in WB; 2 Piece Driveshaft	S	2	5-160X*	5-1410-1X* 5-1410X**	15-160X
	Sierra 2500 HD	V8 6.0L; Base; 158.1in WB; 2 Piece Driveshaft	S	2	5-160X*	5-1410-1X* 5-1410X**	15-160X
	Sierra 2500 HD	V8 6.0L; Base; 167.7in WB; 2 Piece Driveshaft	S	2	5-160X*	5-1410-1X* 5-1410X**	15-160X
	Sierra 2500 HD	V8 6.0L; SLE; 144.2in WB; 2 Piece Driveshaft	S	2	5-160X*	5-1410-1X* 5-1410X**	15-160X
	Sierra 2500 HD	V8 6.0L; SLE; 158.1in WB; 2 Piece Driveshaft	S	2	5-160X*	5-1410-1X* 5-1410X**	15-160X
	Sierra 2500 HD	V8 6.6L; Base; 133.6in WB; 2 Piece Driveshaft	S	2	5-160X*	5-1410-1X* 5-1410X**	15-160X

\* GREASEABLE \*\* NON-GREASEABLE

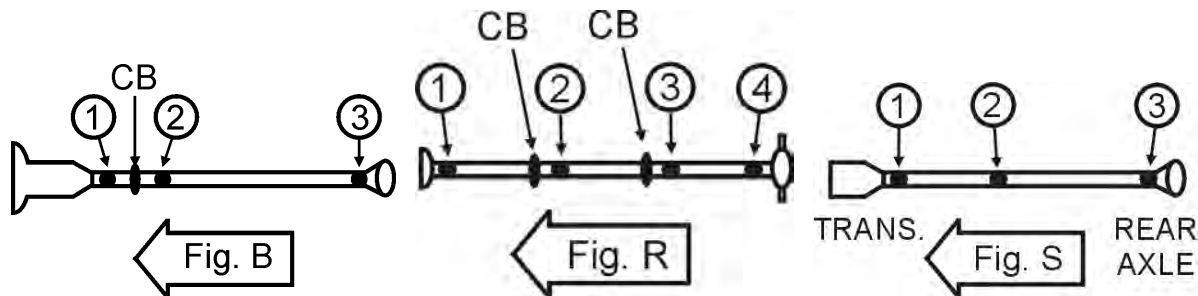
RWD

**GMC (Cont'd)**

Year	Model	Description	Fig.	Location	Spicer Part #	SPL Part #	SVL Part #
2015-2016	Sierra 2500 HD	V8 6.6L; Base; 144.2in WB; 2 Piece Driveshaft	S	2	5-160X*	5-1410-1X* 5-1410X**	15-160X
	Sierra 2500 HD	V8 6.6L; Base; 153.7in WB; 2 Piece Driveshaft	S	2	5-160X*	5-1410-1X* 5-1410X**	15-160X
	Sierra 2500 HD	V8 6.6L; Base; 158.1in WB; 2 Piece Driveshaft	S	2	5-160X*	5-1410-1X* 5-1410X**	15-160X
	Sierra 2500 HD	V8 6.6L; Base; 167.7in WB; 2 Piece Driveshaft	S	2	5-160X*	5-1410-1X* 5-1410X**	15-160X
	Sierra 2500 HD	V8 6.0L; Base; 144.2in WB; 2 Piece Driveshaft	S	3	5-188X*	SPL55-1X* SPL55X**	15-188X
	Sierra 2500 HD	V8 6.0L; Base; 153.7in WB; 2 Piece Driveshaft	S	3	5-188X*	SPL55-1X* SPL55X**	15-188X
	Sierra 2500 HD	V8 6.0L; Base; 158.1in WB; 2 Piece Driveshaft	S	3	5-188X*	SPL55-1X* SPL55X**	15-188X
	Sierra 2500 HD	V8 6.0L; Base; 167.7in WB; 2 Piece Driveshaft	S	3	5-188X*	SPL55-1X* SPL55X**	15-188X
	Sierra 2500 HD	V8 6.0L; SLE; 144.2in WB; 2 Piece Driveshaft	S	3	5-188X*	SPL55-1X* SPL55X**	15-188X
	Sierra 2500 HD	V8 6.0L; SLE; 158.1in WB; 2 Piece Driveshaft	S	3	5-188X*	SPL55-1X* SPL55X**	15-188X
	Sierra 2500 HD	V8 6.6L; Base; 144.2in WB; 2 Piece Driveshaft	S	3	5-188X*	SPL55-1X* SPL55X**	15-188X
	Sierra 2500 HD	V8 6.6L; Base; 153.7in WB; 2 Piece Driveshaft	S	3	5-188X*	SPL55-1X* SPL55X**	15-188X
	Sierra 2500 HD	V8 6.6L; Base; 158.1in WB; 2 Piece Driveshaft	S	3	5-188X*	SPL55-1X* SPL55X**	15-188X
	Sierra 2500 HD	V8 6.6L; Base; 167.7in WB; 2 Piece Driveshaft	S	3	5-188X*	SPL55-1X* SPL55X**	15-188X
2001-2006	Sierra 3500	2 Piece Driveshaft; w/ AAM 1415 Series Driveshaft	B	1,2,3	5-3207X**		
	Sierra 3500	2 Piece Driveshaft; w/ Spicer 1410 Series Driveshaft; w/ Aluminum Yoke	B	1,2,3		5-3616X	
	Sierra 3500	2 Piece Driveshaft; w/ Spicer 1410 Series Driveshaft; w/ Steel Yoke	B	1,2,3	5-160X*	5-1410-1X* 5-1410X**	15-160X
	Sierra 3500	2 Piece Driveshaft; w/ Spicer 1480 Series Driveshaft	B	1,2,3	5-188X*	SPL55-1X* SPL55X**	15-188X
	Sierra 3500	3 Piece Driveshaft; w/ Spicer 1410 Series Driveshaft	R	1,2,3,4	5-160X*	5-1410-1X* 5-1410X**	15-160X
2007	Sierra 3500 Classic	Auto Trans; 6.6L; 8.1L; w/ Aluminum Yoke	S	1,2,3		5-3616X	
	Sierra 3500 Classic	Auto Trans; 6.6L; 8.1L; w/ Steel Yoke	S	1,2,3	5-160X*	5-1410-1X* 5-1410X**	15-160X
	Sierra 3500 Classic	Cab & Chassis; Crew Cab; Standard Cab; 6.0L; w/ Aluminum Yoke	S	1,2,3		5-3616X	
	Sierra 3500 Classic	Cab & Chassis; Crew Cab; Standard Cab; 6.0L; w/ Steel Yoke	S	1,2,3	5-160X*	5-1410-1X* 5-1410X**	15-160X
	Sierra 3500 Classic	Extended Cab; 6.0L	S	1,2,3	5-3207X**		
	Sierra 3500 Classic	Standard Trans; 6.6L; 8.1L	S	1,2,3	5-188X*	SPL55-1X* SPL55X**	15-188X
2007-2011	Sierra 3500 HD	w/ AAM 1485 Series Driveshaft	S	1,2,3	5-3206X		
	Sierra 3500 HD	w/ Spicer Driveshaft	S	1,2,3	5-160X*	5-1410-1X* 5-1410X**	15-160X
2012-2013	Sierra 3500 HD		S	1	5-3207X**		
	Sierra 3500 HD		S	2,3	5-3206X		
2014	Sierra 3500 HD	V8 6.0L; WT; 2 Piece Driveshaft	S	1	5-160X*	5-1410-1X* 5-1410X**	15-160X
	Sierra 3500 HD	V8 6.6L; WT; 2 Piece Driveshaft	S	1	5-160X*	5-1410-1X* 5-1410X**	15-160X
	Sierra 3500 HD	V8 6.0L; WT; 2 Piece Driveshaft	S	2,3	5-188X*	SPL55-1X* SPL55X**	15-188X
	Sierra 3500 HD	V8 6.6L; WT; 2 Piece Driveshaft	S	2,3	5-188X*	SPL55-1X* SPL55X**	15-188X
2014-2016	Sierra 3500 HD	V8 6.0L; Denali; 2 Piece Driveshaft	S	1	5-160X*	5-1410-1X* 5-1410X**	15-160X

\* GREASEABLE \*\* NON-GREASEABLE

D W R



GMC (Cont'd)

Year	Model	Description	Fig.	Location	Spicer Part #	SPL Part #	SVL Part #
2014-2016	Sierra 3500 HD	V8 6.0L; SLE; 2 Piece Driveshaft	S	1	5-160X*	5-1410-1X* 5-1410X**	15-160X
	Sierra 3500 HD	V8 6.0L; SLT; 2 Piece Driveshaft	S	1	5-160X*	5-1410-1X* 5-1410X**	15-160X
	Sierra 3500 HD	V8 6.6L; Denali; 2 Piece Driveshaft	S	1	5-160X*	5-1410-1X* 5-1410X**	15-160X
	Sierra 3500 HD	V8 6.6L; SLE; 2 Piece Driveshaft	S	1	5-160X*	5-1410-1X* 5-1410X**	15-160X
	Sierra 3500 HD	V8 6.6L; SLT; 2 Piece Driveshaft	S	1	5-160X*	5-1410-1X* 5-1410X**	15-160X
	Sierra 3500 HD	V8 6.0L; Denali; 2 Piece Driveshaft	S	2,3	5-188X*	SPL55-1X* SPL55X**	15-188X
	Sierra 3500 HD	V8 6.0L; SLE; 2 Piece Driveshaft	S	2,3	5-188X*	SPL55-1X* SPL55X**	15-188X
	Sierra 3500 HD	V8 6.0L; SLT; 2 Piece Driveshaft	S	2,3	5-188X*	SPL55-1X* SPL55X**	15-188X
	Sierra 3500 HD	V8 6.6L; Denali; 2 Piece Driveshaft	S	2,3	5-188X*	SPL55-1X* SPL55X**	15-188X
	Sierra 3500 HD	V8 6.6L; SLE; 2 Piece Driveshaft	S	2,3	5-188X*	SPL55-1X* SPL55X**	15-188X
	Sierra 3500 HD	V8 6.6L; SLT; 2 Piece Driveshaft	S	2,3	5-188X*	SPL55-1X* SPL55X**	15-188X
2015-2016	Sierra 3500 HD	V8 6.0L; Base; 133.6in WB; 2 Piece Driveshaft	S	2	5-160X*	5-1410-1X* 5-1410X**	15-160X
	Sierra 3500 HD	V8 6.0L; Base; 137.5in WB; 2 Piece Driveshaft	S	2	5-160X*	5-1410-1X* 5-1410X**	15-160X
	Sierra 3500 HD	V8 6.0L; Base; 153.7in WB; 2 Piece Driveshaft	S	2	5-160X*	5-1410-1X* 5-1410X**	15-160X
	Sierra 3500 HD	V8 6.0L; Base; 158.1in WB; 2 Piece Driveshaft	S	2	5-160X*	5-1410-1X* 5-1410X**	15-160X
	Sierra 3500 HD	V8 6.0L; Base; 162.0in WB; 2 Piece Driveshaft	S	2	5-160X*	5-1410-1X* 5-1410X**	15-160X
	Sierra 3500 HD	V8 6.0L; Base; 167.7in WB; 2 Piece Driveshaft	S	2	5-160X*	5-1410-1X* 5-1410X**	15-160X
	Sierra 3500 HD	V8 6.0L; Base; 171.5in WB; 2 Piece Driveshaft	S	2	5-160X*	5-1410-1X* 5-1410X**	15-160X
	Sierra 3500 HD	V8 6.6L; Base; 133.6in WB; 2 Piece Driveshaft	S	2	5-160X*	5-1410-1X* 5-1410X**	15-160X
	Sierra 3500 HD	V8 6.6L; Base; 137.5in WB; 2 Piece Driveshaft	S	2	5-160X*	5-1410-1X* 5-1410X**	15-160X
	Sierra 3500 HD	V8 6.6L; Base; 153.7in WB; 2 Piece Driveshaft	S	2	5-160X*	5-1410-1X* 5-1410X**	15-160X
	Sierra 3500 HD	V8 6.6L; Base; 158.1in WB; 2 Piece Driveshaft	S	2	5-160X*	5-1410-1X* 5-1410X**	15-160X
	Sierra 3500 HD	V8 6.6L; Base; 162.0in WB; 2 Piece Driveshaft	S	2	5-160X*	5-1410-1X* 5-1410X**	15-160X
	Sierra 3500 HD	V8 6.6L; Base; 167.7in WB; 2 Piece Driveshaft	S	2	5-160X*	5-1410-1X* 5-1410X**	15-160X
	Sierra 3500 HD	V8 6.6L; Base; 171.5in WB; 2 Piece Driveshaft	S	2	5-160X*	5-1410-1X* 5-1410X**	15-160X
	Sierra 3500 HD	V8 6.0L; Base; 137.5in WB; 2 Piece Driveshaft	S	3	5-188X*	SPL55-1X* SPL55X**	15-188X

\* GREASEABLE \*\* NON-GREASEABLE

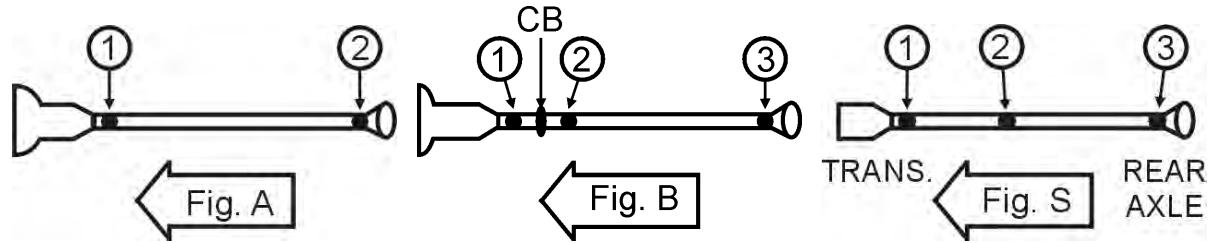
RWD

**GMC (Cont'd)**

Year	Model	Description	Fig.	Location	Spicer Part #	SPL Part #	SVL Part #
2015-2016	Sierra 3500 HD	V8 6.0L; Base; 153.7in WB; 2 Piece Driveshaft	S	3	5-188X*	SPL55-1X* SPL55X**	15-188X
	Sierra 3500 HD	V8 6.0L; Base; 158.1in WB; 2 Piece Driveshaft	S	3	5-188X*	SPL55-1X* SPL55X**	15-188X
	Sierra 3500 HD	V8 6.0L; Base; 162.0in WB; 2 Piece Driveshaft	S	3	5-188X*	SPL55-1X* SPL55X**	15-188X
	Sierra 3500 HD	V8 6.0L; Base; 167.7in WB; 2 Piece Driveshaft	S	3	5-188X*	SPL55-1X* SPL55X**	15-188X
	Sierra 3500 HD	V8 6.0L; Base; 171.5in WB; 2 Piece Driveshaft	S	3	5-188X*	SPL55-1X* SPL55X**	15-188X
	Sierra 3500 HD	V8 6.6L; Base; 137.5in WB; 2 Piece Driveshaft	S	3	5-188X*	SPL55-1X* SPL55X**	15-188X
	Sierra 3500 HD	V8 6.6L; Base; 153.7in WB; 2 Piece Driveshaft	S	3	5-188X*	SPL55-1X* SPL55X**	15-188X
	Sierra 3500 HD	V8 6.6L; Base; 158.1in WB; 2 Piece Driveshaft	S	3	5-188X*	SPL55-1X* SPL55X**	15-188X
	Sierra 3500 HD	V8 6.6L; Base; 162.0in WB; 2 Piece Driveshaft	S	3	5-188X*	SPL55-1X* SPL55X**	15-188X
	Sierra 3500 HD	V8 6.6L; Base; 167.7in WB; 2 Piece Driveshaft	S	3	5-188X*	SPL55-1X* SPL55X**	15-188X
	Sierra 3500 HD	V8 6.6L; Base; 171.5in WB; 2 Piece Driveshaft	S	3	5-188X*	SPL55-1X* SPL55X**	15-188X
1991-1993	Sonoma	Standard Cab; 89.0" Bed; 2 Piece Driveshaft	B	1,2,3	5-3147X*	5-795X**	15-3147X
1991-1996	Sonoma	Standard Cab; 73.1" Bed; 1 Piece Driveshaft	A	1,2	5-3147X*	5-795X**	15-3147X
1991-1999	Sonoma	Extended Cab; 2 Piece Driveshaft	B	1,2,3	5-3147X*	5-795X**	15-3147X
1994-1996	Sonoma	Standard Cab; 89.0" Bed; 1 Piece Driveshaft; w/ Aluminum Yoke	A	1		5-3614X	
	Sonoma	Standard Cab; 89.0" Bed; 1 Piece Driveshaft; w/ Steel Yoke	A	1	5-213X*	5-1330-1X* 5-1330X**	15-213X
	Sonoma	Standard Cab; 89.0" Bed; 1 Piece Driveshaft	A	2	5-212X*	5-793X**	
1997-1999	Sonoma	Standard Cab; 1 Piece Driveshaft	A	1,2	5-3147X*	5-795X**	15-3147X
2000-2003	Sonoma	1 Piece Driveshaft	A	1,2	5-3147X*	5-795X**	15-3147X
1971	Sprint	4.1L; 5.0L; 5.7L; 6.6L	A	1,2	5-153X*	5-1310-1X* 5-1310X**	15-153X
1971-1972	Sprint	7.4L	A	1	5-3147X*	5-795X**	15-3147X
	Sprint	7.4L	A	2	5-213X*	5-1330-1X* 5-1330X**	15-213X
1972	Sprint	4.1L; 5.0L	A	1,2	5-153X*	5-1310-1X* 5-1310X**	15-153X
1973-1977	Sprint		A	1,2	5-3147X*	5-795X**	15-3147X
1997-2002	T6500	Propeller Shaft Center Support	B	CB	210866-1X		
1997-2002	T7500	Propeller Shaft Center Support	B	CB	210866-1X		
1992-1999	Yukon		A	1,2	5-3147X*	5-795X**	15-3147X
2000-2007	Yukon	1 Piece Driveshaft	A	1,2	5-3147X*	5-795X**	15-3147X
2008	Yukon	V8 4.8L; 1 Piece Driveshaft	A	1,2	5-3147X*	5-795X**	15-3147X
	Yukon	V8 5.3L; 1 Piece Driveshaft	A	1,2	5-3147X*	5-795X**	15-3147X
	Yukon	V8 6.0L; 1 Piece Driveshaft	A	1,2	5-178X*	5-1350-1X* 5-1350X**	15-178X
2009-2016	Yukon	1 Piece Driveshaft	A	1,2	5-178X*	5-1350-1X* 5-1350X**	15-178X
2000-2003	Yukon XL 1500	1 Piece Driveshaft	A	1,2	5-213X*	5-1330-1X* 5-1330X**	15-213X
2005	Yukon XL 1500	Flex-Fuel-Fuel; 1 Piece Driveshaft	A	1	5-213X*	5-1330-1X* 5-1330X**	15-213X
	Yukon XL 1500	Gas; 1 Piece Driveshaft	A	1	5-213X*	5-1330-1X* 5-1330X**	15-213X
	Yukon XL 1500	Flex-Fuel-Fuel; 1 Piece Driveshaft	A	2	5-212X*	5-793X**	
	Yukon XL 1500	Gas; 1 Piece Driveshaft	A	2	5-212X*	5-793X**	
2006	Yukon XL 1500	1 Piece Driveshaft	A	1	5-213X*	5-1330-1X* 5-1330X**	15-213X
	Yukon XL 1500	1 Piece Driveshaft	A	2	5-212X*	5-793X**	
2007-2008	Yukon XL 1500	V8 5.3L; 1 Piece Driveshaft	A	1,2	5-3147X*	5-795X**	15-3147X

\* GREASEABLE \*\* NON-GREASEABLE





**GMC (Cont'd)**

Year	Model	Description	Fig.	Location	Spicer Part #	SPL Part #	SVL Part #
2007-2008	Yukon XL 1500	V8 6.0L; 1 Piece Driveshaft	A	1,2	5-178X*	5-1350-1X* 5-1350X**	15-178X
2009-2014	Yukon XL 1500	1 Piece Driveshaft	A	1,2	5-178X*	5-1350-1X* 5-1350X**	15-178X
2001-2006	Yukon XL 2500	V8 6.0L; 1 Piece Driveshaft	A	1,2	5-178X*	5-1350-1X* 5-1350X**	15-178X
	Yukon XL 2500	V8 8.1L; 1 Piece Driveshaft	A	1,2	5-160X*	5-1410-1X* 5-1410X**	15-160X
2007	Yukon XL 2500	1 Piece Driveshaft	A	1,2	5-178X*	5-1350-1X* 5-1350X**	15-178X
2008-2013	Yukon XL 2500	1 Piece Driveshaft	A	1,2	5-160X*	5-1410-1X* 5-1410X**	15-160X

**Honda**

Year	Model	Description	Fig.	Location	Spicer Part #	SPL Part #	SVL Part #
1994-1997	Passport		B	1,2,3	5-153X*	5-1310-1X* 5-1310X**	15-153X
1998-2002	Passport	1 Piece Driveshaft	A	1,2	5-153X*	5-1310-1X* 5-1310X**	15-153X

**Infiniti**

Year	Model	Description	Fig.	Location	Spicer Part #	SPL Part #	SVL Part #
2001-2003	QX4	2 Piece Driveshaft	S	1	5-1505X		
2010	QX56	1 Piece Driveshaft	A	1	5-178X*	5-1350-1X* 5-1350X**	15-178X

**International**

Year	Model	Description	Fig.	Location	Spicer Part #	SPL Part #	SVL Part #
1966	1000A	1 Piece Driveshaft	A	1,2	5-153X*	5-1310-1X* 5-1310X**	15-153X
	1000A	2 Piece Driveshaft	B	1,2,3	5-153X*	5-1310-1X* 5-1310X**	15-153X
1967	1000B	1 Piece Driveshaft	A	1,2	5-153X*	5-1310-1X* 5-1310X**	15-153X
	1000B	2 Piece Driveshaft	B	1,2,3	5-153X*	5-1310-1X* 5-1310X**	15-153X
1968	1000C	1 Piece Driveshaft	A	1,2	5-153X*	5-1310-1X* 5-1310X**	15-153X
	1000C	2 Piece Driveshaft	B	1,2,3	5-153X*	5-1310-1X* 5-1310X**	15-153X
1969-1970	1000D	1 Piece Driveshaft	A	1,2	5-153X*	5-1310-1X* 5-1310X**	15-153X
	1000D	2 Piece Driveshaft	B	1,2,3	5-153X*	5-1310-1X* 5-1310X**	15-153X
1966	1200A	1 Piece Driveshaft	A	1,2	5-153X*	5-1310-1X* 5-1310X**	15-153X
	1200A	2 Piece Driveshaft	B	1,2,3	5-153X*	5-1310-1X* 5-1310X**	15-153X
1967	1200B	1 Piece Driveshaft	A	1,2	5-153X*	5-1310-1X* 5-1310X**	15-153X

\* GREASEABLE \*\* NON-GREASEABLE

RWD

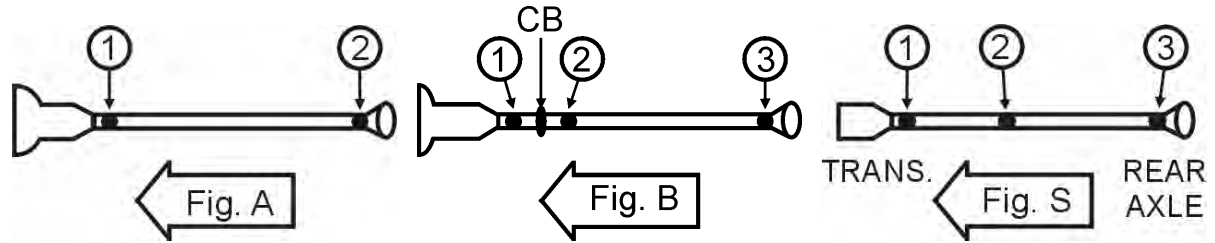
**International (Cont'd)**

Year	Model	Description	Fig.	Location	Spicer Part #	SPL Part #	SVL Part #
1967	1200B	2 Piece Driveshaft	B	1,2,3	5-153X*	5-1310-1X* 5-1310X**	15-153X
1968	1200C	1 Piece Driveshaft	A	1,2	5-153X*	5-1310-1X* 5-1310X**	15-153X
	1200C	2 Piece Driveshaft	B	1,2,3	5-153X*	5-1310-1X* 5-1310X**	15-153X
1969-1970	1200D	1 Piece Driveshaft	A	1,2	5-153X*	5-1310-1X* 5-1310X**	15-153X
	1200D	2 Piece Driveshaft	B	1,2,3	5-153X*	5-1310-1X* 5-1310X**	15-153X
1971-1973	1210	1 Piece Driveshaft	A	1,2	5-153X*	5-1310-1X* 5-1310X**	15-153X
	1210	2 Piece Driveshaft	B	1,2,3	5-153X*	5-1310-1X* 5-1310X**	15-153X
1966-1967	900A	1 Piece Driveshaft	A	1,2	5-153X*	5-1310-1X* 5-1310X**	15-153X
	900A	2 Piece Driveshaft	B	1,2,3	5-153X*	5-1310-1X* 5-1310X**	15-153X
1966-1972	M1200	1.062" Cup Dia.	B	1,2,3	5-1200X		
	M1200	1.188" Cup Dia.	B	1,2,3	5-3250X		
1969	M1400	1.062" Cup Dia.	B	1,2,3	5-153X*	5-1310-1X* 5-1310X**	15-153X
	M1400	1.188" Cup Dia.	B	1,2,3	5-3250X		
1961-1966	Scout		A	1,2	5-2140X		
1967-1971	Scout		A	1,2	5-153X*	5-1310-1X* 5-1310X**	15-153X
1971-1979	Scout II		A	1,2	5-153X*	5-1310-1X* 5-1310X**	15-153X

**ISUZU**

Year	Model	Description	Fig.	Location	Spicer Part #	SPL Part #	SVL Part #
1989-1994	Amigo		A	1,2	5-1515X		
1998-1999	Amigo	w/ Aluminum Yoke	A	1,2		5-3613X	
	Amigo	w/ Steel Yoke	A	1,2	5-153X*	5-1310-1X* 5-1310X**	15-153X
2000	Amigo	1 Piece Driveshaft	A	1,2	5-153X*	5-1310-1X* 5-1310X**	15-153X
2003-2008	Ascender	1 Piece Driveshaft	A	1,2	5-3147X*	5-795X**	15-3147X
2002-2004	Axiom	1 Piece Driveshaft	A	1,2	5-153X*	5-1310-1X* 5-1310X**	15-153X
1997-1999	Hombre	Standard Cab; 1 Piece Driveshaft	A	1,2	5-3147X*	5-795X**	15-3147X
	Hombre	Extended Cab; 2 Piece Driveshaft	S	1,2,3	5-3147X*	5-795X**	15-3147X
2000	Hombre	1 Piece Driveshaft	A	1,2	5-3147X*	5-795X**	15-3147X
2006	i-280	1 Piece Driveshaft	A	1	5-213X*	5-1330-1X* 5-1330X**	15-213X
	i-280	1 Piece Driveshaft	A	2	5-212X*	5-793X**	
	i-280	2 Piece Driveshaft	S	1,2	5-213X*	5-1330-1X* 5-1330X**	15-213X
	i-280	2 Piece Driveshaft	S	3	5-212X*	5-793X**	
2007-2008	i-290	1 Piece Driveshaft	A	1	5-213X*	5-1330-1X* 5-1330X**	15-213X
	i-290	1 Piece Driveshaft	A	2	5-212X*	5-793X**	
	i-290	2 Piece Driveshaft	S	1,2	5-213X*	5-1330-1X* 5-1330X**	15-213X
	i-290	2 Piece Driveshaft	S	3	5-212X*	5-793X**	
1981-1985	Pickup	1 Piece Driveshaft	A	1,2	5-101X		
	Pickup	2 Piece Driveshaft	S	1,2,3	5-101X		
1986-1987	Pickup	2.2L; 2.3L; 104.3" WB; 72.0" Bed; 1 Piece Driveshaft	A	1	5-101X		
	Pickup	2.2L; 104.3" WB; 72.0" Bed; 1 Piece Driveshaft	A	2	5-101X		

\* GREASEABLE \*\* NON-GREASEABLE



**Isuzu (Cont'd)**

Year	Model	Description	Fig.	Location	Spicer Part #	SPL Part #	SVL Part #
1986-1987	Pickup	2.3L; 104.3" WB; 72.0" Bed; 1 Piece Driveshaft	A	2	5-1515X		
	Pickup	2.2L; 2.3L; 117.9" WB; 85.0" Bed; 2 Piece Driveshaft	S	1,2	5-101X		
	Pickup	2.2L; 117.9" WB; 85.0" Bed; 2 Piece Driveshaft	S	3	5-101X		
1988	Pickup	105.6" WB; 72.0" Bed; 1 Piece Driveshaft; From 12/87	A	1,2	5-1515X		
	Pickup	119.2" WB; 85.0" Bed; 2 Piece Driveshaft; From 12/87	S	1,2,3	5-1515X		
1989	Pickup	105.6" WB; 72.0" Bed; 1 Piece Driveshaft; To 12/89	A	1,2	5-1515X		
	Pickup	119.2" WB; 85.0" Bed; 2 Piece Driveshaft; To 12/89	S	1,2,3	5-1515X		
1990	Pickup	105.6" WB; 72.0" Bed; 1 Piece Driveshaft; U.S.A. Built; To 12/89	A	1,2	5-1515X		
	Pickup	119.2" WB; 85.0" Bed; 2 Piece Driveshaft; U.S.A. Built; To 12/89	S	1,2,3	5-1515X		
1990-1995	Pickup	105.6" WB; 72.0" Bed; 1 Piece Driveshaft; Japan Built; VIN Starts JAA	A	1,2	5-1515X		
	Pickup	119.2" WB; 85.0" Bed; 2 Piece Driveshaft; Japan Built; VIN Starts JAA	S	1,2,3	5-1515X		
1991-1997	Rodeo		S	1,2,3	5-153X*	5-1310-1X* 5-1310X**	15-153X
	Rodeo	w/ Aluminum Yoke	A	1,2		5-3613X	
1998-1999	Rodeo	w/ Steel Yoke	A	1,2	5-153X*	5-1310-1X* 5-1310X**	15-153X
	Rodeo	1 Piece Driveshaft	A	1,2	5-153X*	5-1310-1X* 5-1310X**	15-153X
2000-2004	Rodeo	1 Piece Driveshaft	A	1,2	5-153X*	5-1310-1X* 5-1310X**	15-153X
2001-2003	Rodeo Sport	1 Piece Driveshaft	A	1,2	5-153X*	5-1310-1X* 5-1310X**	15-153X
2000-2002	Trooper	1 Piece Driveshaft	A	1,2	5-3259-1X		

**Jeep**

Year	Model	Description	Fig.	Location	Spicer Part #	SPL Part #	SVL Part #
1985-1993	Cherokee		A	1,2	5-153X*	5-1310-1X* 5-1310X**	15-153X
1994-1999	Cherokee	w/ Inside Snap Rings	A	1,2	5-1309X	5-811X	
	Cherokee	w/ Outside Snap Rings	A	1,2	5-153X*	5-1310-1X* 5-1310X**	15-153X
1995-1997	Cherokee	w/ Inside & Outside Snap Rings	A	1,2		5-788X	15-353X
2000-2001	Cherokee	Auto Trans; 1 Piece Driveshaft	A	1,2	5-153X*	5-1310-1X* 5-1310X**	15-153X
	Cherokee	Standard Trans; 1 Piece Driveshaft	A	1,2	5-153X*	5-1310-1X* 5-1310X**	15-153X
1986-1992	Comanche		A	1,2	5-153X*	5-1310-1X* 5-1310X**	15-153X
1967-1973	Commando		A	1,2	5-3228X	5-789X	
1963-1965	Gladiator		A	1,2	5-153X*	5-1310-1X* 5-1310X**	15-153X
1993-1999	Grand Cherokee		A	1,2	5-153X*	5-1310-1X* 5-1310X**	15-153X

\* GREASEABLE \*\* NON-GREASEABLE

RWD

**Jeep (Cont'd)**

Year	Model	Description	Fig.	Location	Spicer Part #	SPL Part #	SVL Part #
2000-2001	Grand Cherokee	L6 4.0L; 1 Piece Driveshaft; From 02/15/2001; To 04/23/2001	A	1,2	5-153X*	5-1310-1X* 5-1310X**	15-153X
	Grand Cherokee	L6 4.0L; 1 Piece Driveshaft; From 04/24/2001; To 02/14/2001	A	1,2	5-153X*	5-1310-1X* 5-1310X**	15-153X
	Grand Cherokee	V8 4.7L; 1 Piece Driveshaft; From 02/15/2001; To 04/23/2001	A	1,2	5-153X*	5-1310-1X* 5-1310X**	15-153X
	Grand Cherokee	V8 4.7L; 1 Piece Driveshaft; From 04/24/2001; To 02/14/2001	A	1,2	5-153X*	5-1310-1X* 5-1310X**	15-153X
2002-2004	Grand Cherokee	L6 4.0L; 1 Piece Driveshaft	A	1,2	5-153X*	5-1310-1X* 5-1310X**	15-153X
1967-1973	Jeepster		A	1,2	5-3228X	5-789X	
2002	Liberty	3.7L; Auto Trans; w/ Dana Axle	A	1	5-153X*	5-1310-1X* 5-1310X**	15-153X
	Liberty	2.4L	A	1,2	5-153X*	5-1310-1X* 5-1310X**	15-153X
	Liberty	3.7L; Auto Trans; w/ Chrysler Axle	A	1,2	5-213X*	5-1330-1X* 5-1330X**	15-213X
	Liberty	3.7L; Standard Trans	A	1,2	5-213X*	5-1330-1X* 5-1330X**	15-213X
	Liberty	3.7L; Auto Trans; w/ Dana Axle	A	2	5-213X*	5-1330-1X* 5-1330X**	15-213X
	Liberty	3.500" O.D. Yoke	A	1,2	5-153X*	5-1310-1X* 5-1310X**	15-153X
2003	Liberty	4.000" O.D. Yoke	A	1,2	5-213X*	5-1330-1X* 5-1330X**	15-213X
	Liberty		A	1,2	5-153X*	5-1310-1X* 5-1310X**	15-153X
2007	Liberty		A	1,2	5-153X*	5-1310-1X* 5-1310X**	15-153X
1989	Wagoneer		A	1,2	5-153X*	5-1310-1X* 5-1310X**	15-153X

**Kia**

Year	Model	Description	Fig.	Location	Spicer Part #	SPL Part #	SVL Part #
1995-2001	Sportage	2 Piece Driveshaft	S	1,2,3	5-3245-1X		
2007-2010	Sportage	2 Piece Driveshaft	AS	1	5-3245-1X		

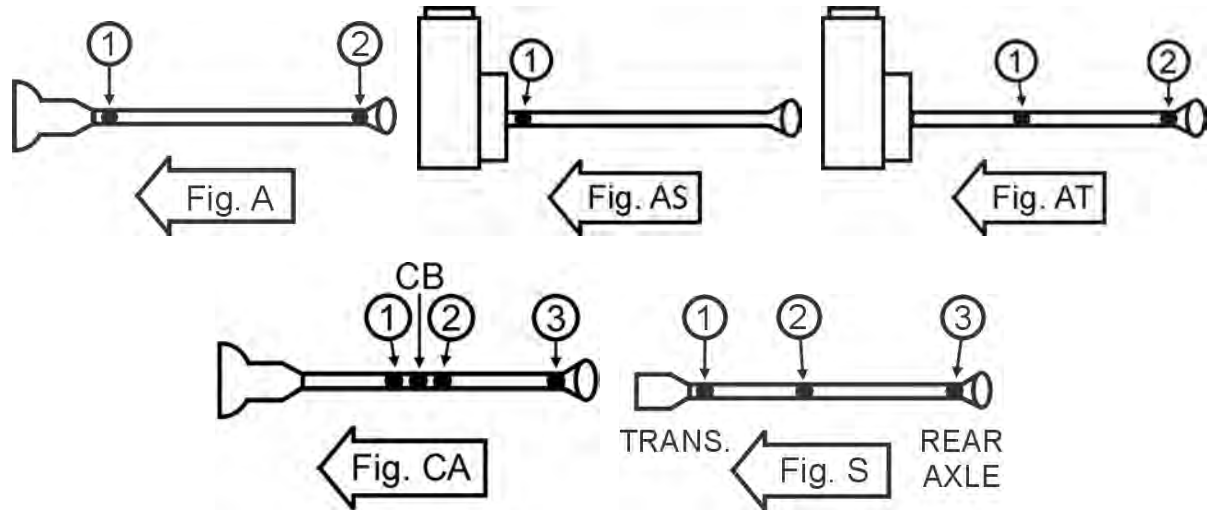
**Land Rover**

Year	Model	Description	Fig.	Location	Spicer Part #	SPL Part #	SVL Part #
2002-2005	Freelander	2 Piece Driveshaft	CA	1,2,3	5-3214X		

**Lincoln**

Year	Model	Description	Fig.	Location	Spicer Part #	SPL Part #	SVL Part #
2003-2005	Aviator		A	1,2	5-213X*	5-1330-1X* 5-1330X**	15-213X
2002	Blackwood		A	1,2	5-178X*	5-1350-1X* 5-1350X**	15-178X
2006	Mark LT	2 Piece Driveshaft	S	1,2,3	5-3203X		
2006-2007	Mark LT	1 Piece Driveshaft	A	1,2	5-3203X		
2007-2008	Mark LT	2 Piece Driveshaft	S	1,2,3	5-178X*	5-1350-1X* 5-1350X**	15-178X
2008	Mark LT	1 Piece Driveshaft	A	1,2	5-178X*	5-1350-1X* 5-1350X**	15-178X
1998-1999	Navigator		A	1,2	5-178X*	5-1350-1X* 5-1350X**	15-178X
2000-2004	Navigator	1 Piece Driveshaft	A	1,2	5-178X*	5-1350-1X* 5-1350X**	15-178X
2005-2006	Navigator	2 Piece Driveshaft	AT	1,2	5-3203X		
2007-2017	Navigator	2 Piece Driveshaft	AT	1,2	5-178X*	5-1350-1X* 5-1350X**	15-178X

\* GREASEABLE \*\* NON-GREASEABLE



**Mazda**

Year	Model	Description	Fig.	Location	Spicer Part #	SPL Part #	SVL Part #
1972-1976	B1600	1 Piece Driveshaft	A	1,2	5-3216X		
	B1600	2 Piece Driveshaft	S	1,2,3	5-3216X		
1977-1978	B1800	1 Piece Driveshaft	A	1,2	5-3216X		
	B1800	2 Piece Driveshaft	S	1,2,3	5-3216X		
1979-1984	B2000	1 Piece Driveshaft	A	1,2	5-3216X		
	B2000	2 Piece Driveshaft	S	1,2,3	5-3216X		
1986-1987	B2000	89.7" Bed	S	2	5-3216X		
1982-1984	B2200	1 Piece Driveshaft	A	1,2	5-3216X		
	B2200	2 Piece Driveshaft	S	1,2,3	5-3216X		
1987-1993	B2200		S	2	5-3216X		
1994-1997	B2300	1 Piece Driveshaft	A	1,2	5-153X*	5-1310-1X* 5-1310X**	15-153X
	B2300	2 Piece Driveshaft	S	1,2,3	5-153X*	5-1310-1X* 5-1310X**	15-153X
2001-2009	B2300		A	1,2	5-213X*	5-1330-1X* 5-1330X**	15-213X
1998-2001	B2500		A	1,2	5-213X*	5-1330-1X* 5-1330X**	15-213X
1987-1993	B2600		S	2	5-3216X		
1994-1996	B3000	Extended Cab; 2 Piece Driveshaft	S	1,2,3	5-153X*	5-1310-1X* 5-1310X**	15-153X
1997	B3000	Standard Cab; 1 Piece Driveshaft	A	1,2	5-153X*	5-1310-1X* 5-1310X**	15-153X
1998-2008	B3000		A	1,2	5-213X*	5-1330-1X* 5-1330X**	15-213X
1994	B4000	Standard Cab; 1 Piece Driveshaft	A	1,2	5-153X*	5-1310-1X* 5-1310X**	15-153X
1994-1997	B4000	Extended Cab; 2 Piece Driveshaft	S	1,2,3	5-153X*	5-1310-1X* 5-1310X**	15-153X
1998-2009	B4000		A	1,2	5-213X*	5-1330-1X* 5-1330X**	15-213X
1992-1994	Navajo		A	1,2	5-153X*	5-1310-1X* 5-1310X**	15-153X
2001-2006	Tribute		S	2,3	5-153X*	5-1310-1X* 5-1310X**	15-153X

**Mercury**

Year	Model	Description	Fig.	Location	Spicer Part #	SPL Part #	SVL Part #
2008-2011	Mariner	2 Piece Driveshaft	AT	1,2	5-153X*	5-1310-1X* 5-1310X**	15-153X

\* GREASEABLE \*\* NON-GREASEABLE

R  
W  
D

**Mercury (Cont'd)**

Year	Model	Description	Fig.	Location	Spicer Part #	SPL Part #	SVL Part #
1997-1999	Mountaineer		A	1,2	5-213X*	5-1330-1X* 5-1330X**	15-213X
2001-2005	Mountaineer	1 Piece Driveshaft	A	1,2	5-213X*	5-1330-1X* 5-1330X**	15-213X
2006-2010	Mountaineer	V6 4.0L; 1 Piece Driveshaft	A	1,2	5-213X*	5-1330-1X* 5-1330X**	15-213X
	Mountaineer	V8 4.6L; 1 Piece Driveshaft	A	1,2	5-213X*	5-1330-1X* 5-1330X**	15-213X

**Mitsubishi**

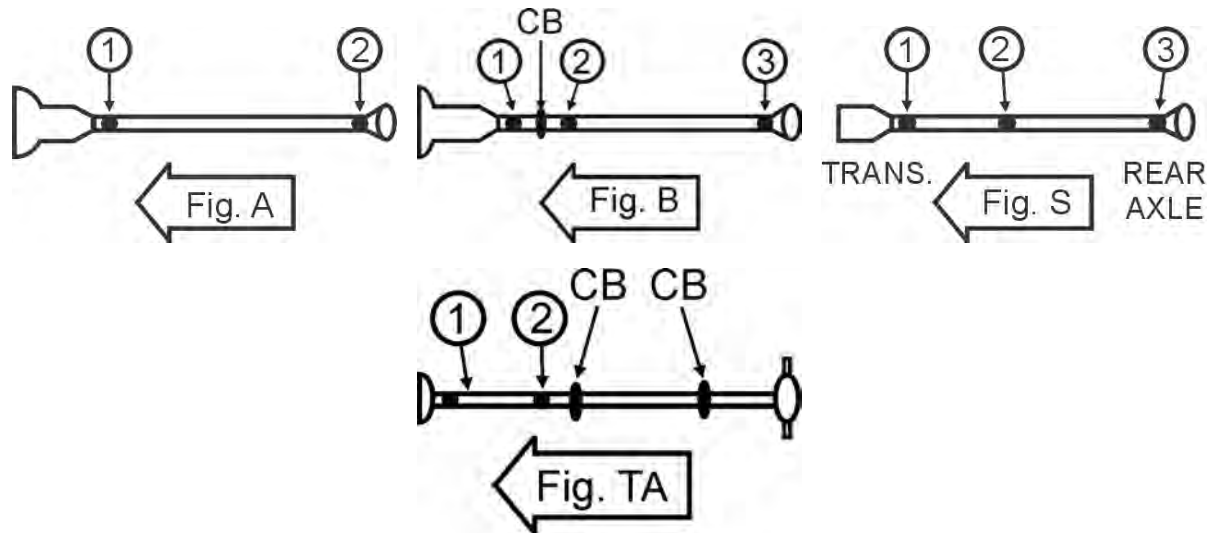
Year	Model	Description	Fig.	Location	Spicer Part #	SPL Part #	SVL Part #
1983-1985	Mighty Max	2.3L; 2.6L	S	1,2,3	5-3217X		
1983-1986	Mighty Max	2.0L	S	1,2,3	5-1503X		
1986	Mighty Max	2.6L	S	1,2,3	5-3217X		
1987-1988	Mighty Max	2 Piece Driveshaft	S	1,2,3	5-3217X		
1987-1989	Mighty Max	2.0L; 1 Piece Driveshaft	A	1,2	5-1503X		
	Mighty Max	2.6L; 1 Piece Driveshaft	A	1,2	5-3217X		
1989-1994	Mighty Max	Standard Trans; 2 Piece Driveshaft	S	1,2,3	5-3217X		
1989-1996	Mighty Max	Auto Trans; 2 Piece Driveshaft	S	1,2,3	5-1503X		
1990-1996	Mighty Max	Auto Trans; 1 Piece Driveshaft	A	1,2	5-1503X		
	Mighty Max	Standard Trans; 1 Piece Driveshaft	A	1,2	5-3217X		
1997-1999	Montero Sport	2.4L	B	1,2,3	5-3217X		
	Montero Sport	3.0L	B	1,2,3	5-3243X		
2000-2004	Montero Sport	2 Piece Driveshaft	S	1,2,3	5-3243X		
2003-2006	Outlander	3 Piece Driveshaft	TA	1,2	5-1503X		
2006-2007	Raider	1 Piece Driveshaft	A	1,2	5-213X*	5-1330-1X* 5-1330X**	15-213X
2006-2009	Raider	2 Piece Driveshaft	S	1,2,3	5-213X*	5-1330-1X* 5-1330X**	15-213X
1987	Van	From 4/1987	A	1,2	5-3217X		
	Van	To 3/1987	A	1,2	5-1503X		
1988-1990	Van		A	1,2	5-3217X		

**Nissan**

Year	Model	Description	Fig.	Location	Spicer Part #	SPL Part #	SVL Part #
1966-1968	520 Pickup	Standard Bed; 1 Piece Driveshaft	A	1,2	5-1501X		
	520 Pickup	Standard Bed; 2 Piece Driveshaft	B	1,2,3	5-1501X		
1968-1972	521 Pickup	Standard Bed; 1 Piece Driveshaft	A	1,2	5-1501X		
	521 Pickup	Standard Bed; 2 Piece Driveshaft	B	1,2,3	5-1501X		
1975-1979	620	Standard Bed; 1 Piece Driveshaft	A	1,2	5-1501X		
	620	Standard Bed; 2 Piece Driveshaft	B	1,2,3	5-1501X		
1972-1974	620 Pickup	Standard Bed; 1 Piece Driveshaft	A	1,2	5-1501X		
	620 Pickup	Standard Bed; 2 Piece Driveshaft	B	1,2,3	5-1501X		
2005-2015	Armada	1 Piece Driveshaft	A	1	5-178X*	5-1350-1X* 5-1350X**	15-178X
1986-1989	D21	Standard Cab; 3.0L; 1 Piece Driveshaft; American Built; Vin starts 1N6	A	1,2	5-153X*	5-1310-1X* 5-1310X**	15-153X
	D21	Extended Cab; 3.0L; 2 Piece Driveshaft; American Built; Vin starts 1N6	B	1,2,3	5-153X*	5-1310-1X* 5-1310X**	15-153X
1990-1994	D21	3.0L; 1 Piece Driveshaft; American Built; Vin starts 1N6	A	1,2	5-153X*	5-1310-1X* 5-1310X**	15-153X
	D21	3.0L; 2 Piece Driveshaft; American Built; Vin starts 1N6	B	1,2,3	5-153X*	5-1310-1X* 5-1310X**	15-153X
2000-2004	Frontier	L4 2.4L; Standard Trans; 1 Piece Driveshaft	A	1,2	5-153X*	5-1310-1X* 5-1310X**	15-153X
	Frontier	L4 2.4L; Auto Trans; 2 Piece Driveshaft	S	1,2,3	5-153X*	5-1310-1X* 5-1310X**	15-153X
	Frontier	V6 3.3L; 2 Piece Driveshaft	S	1,2,3	5-153X*	5-1310-1X* 5-1310X**	15-153X

\* GREASEABLE \*\* NON-GREASEABLE

RWD



**Nissan (Cont'd)**

Year	Model	Description	Fig.	Location	Spicer Part #	SPL Part #	SVL Part #
2005-2017	Frontier	L4 2.5L; 2 Piece Driveshaft	S	1,2,3	5-153X*	5-1310-1X* 5-1310X**	15-153X
	Frontier	V6 4.0L; 2 Piece Driveshaft	S	1,2,3	5-213X*	5-1330-1X* 5-1330X**	15-213X
2012-2017	NV1500	2 Piece Driveshaft	S	1	5-3208X		
2012-2015	NV2500	V6 4.0L; 2 Piece Driveshaft	S	1	5-3208X		
	NV2500	V8 5.6L; 2 Piece Driveshaft	S	1	5-3207X**		
2016-2017	NV2500	2 Piece Driveshaft	S	1	5-3207X**		
2012-2015	NV3500	V6 4.0L; 2 Piece Driveshaft	S	1	5-3208X		
	NV3500	V8 5.6L; 2 Piece Driveshaft	S	1	5-3207X**		
2016-2017	NV3500	2 Piece Driveshaft	S	1	5-3207X**		
1989-1999	Pathfinder		B	1,2,3	5-3217X		
2000-2003	Pathfinder	2 Piece Driveshaft	S	1	5-1505X		
2005-2008	Pathfinder	1 Piece Driveshaft	A	1,2	5-213X*	5-1330-1X* 5-1330X**	15-213X
2008	Pathfinder	V6 4.0L; 1 Piece Driveshaft	A	1	5-213X*	5-1330-1X* 5-1330X**	15-213X
	Pathfinder	V8 5.6L; 1 Piece Driveshaft	A	1	5-178X*	5-1350-1X* 5-1350X**	15-178X
2009-2011	Pathfinder	1 Piece Driveshaft	A	1,2	5-178X*	5-1350-1X* 5-1350X**	15-178X
2012	Pathfinder	1 Piece Driveshaft	A	1,2	5-213X*	5-1330-1X* 5-1330X**	15-213X
2004	Pathfinder Armada	1 Piece Driveshaft	A	1,2	5-178X*	5-1350-1X* 5-1350X**	15-178X
1966-1969	Patrol	Standard Bed; 1 Piece Driveshaft	A	1,2	5-1501X		
	Patrol	Standard Bed; 2 Piece Driveshaft	B	1,2,3	5-1501X		
1995-1997	Pickup	1 Piece Driveshaft; American Built; Vin starts 1N6	A	1,2	5-153X*	5-1310-1X* 5-1310X**	15-153X
	Pickup	2 Piece Driveshaft; American Built; Vin starts 1N6	B	1,2,3	5-153X*	5-1310-1X* 5-1310X**	15-153X
2004-2006	Titan	2 Piece Driveshaft	B	1,2	5-178X*	5-1350-1X* 5-1350X**	15-178X
2005-2013	Titan		B	CB	212258-1X		
2007-2015	Titan	2 Piece Driveshaft	B	1,2	5-160X*	5-1410-1X* 5-1410X**	15-160X
2017	Titan	2 Piece Driveshaft	B	1	5-160X*	5-1410-1X* 5-1410X**	15-160X
2016-2017	Titan XD	2 Piece Driveshaft	S	1,2	5-153X*	5-1310-1X* 5-1310X**	15-153X

\* GREASEABLE \*\* NON-GREASEABLE

**Nissan (Cont'd)**

Year	Model	Description	Fig.	Location	Spicer Part #	SPL Part #	SVL Part #
2000-2004	Xterra	1 Piece Driveshaft	A	1,2	5-153X*	5-1310-1X* 5-1310X**	15-153X
	Xterra	2 Piece Driveshaft	B	1,2,3	5-153X*	5-1310-1X* 5-1310X**	15-153X
2005-2015	Xterra	1 Piece Driveshaft	A	1	5-213X*	5-1330-1X* 5-1330X**	15-213X

**Oldsmobile**

Year	Model	Description	Fig.	Location	Spicer Part #	SPL Part #	SVL Part #
2002-2004	Bravada		A	1,2	5-3147X*	5-795X**	15-3147X

**Plymouth**

Year	Model	Description	Fig.	Location	Spicer Part #	SPL Part #	SVL Part #
1979-1982	Arrow Pickup	2.0L	A	1,2	5-1503X		
	Arrow Pickup	2.6L	A	1,2	5-3217X		
1975-1977	PB100		A	1,2	5-3228X	5-789X	
1978-1980	PB100	w/ 2.125" Snap Ring	A	1,2	5-3228X	5-789X	
	PB100	w/ 2.625" Snap Ring	A	1,2	5-1309X	5-811X	
1974	PB100 Van		A	1,2	5-3228X	5-789X	
1981	PB150	w/ 2.125" Snap Ring	A	1,2	5-3228X	5-789X	
	PB150	w/ 2.625" Snap Ring	A	1,2	5-1309X	5-811X	
1982-1983	PB150		A	1,2	5-3228X	5-789X	
1975-1980	PB200	w/ 2.125" Snap Ring	A	1,2	5-3228X	5-789X	
	PB200	w/ 2.625" Snap Ring	A	1,2	5-1309X	5-811X	
1981	PB250	w/ 2.125" Snap Ring	A	1,2	5-3228X	5-789X	
	PB250	w/ 2.625" Snap Ring	A	1,2	5-1309X	5-811X	
1982-1983	PB250		A	1,2	5-3228X	5-789X	
1975-1980	PB300	1 Piece Driveshaft; w/ 2.125" Snap Ring	A	1,2	5-3228X	5-789X	
	PB300	1 Piece Driveshaft; w/ 2.625" Snap Ring	A	1,2	5-1309X	5-811X	
	PB300	2 Piece Driveshaft; w/ 2.125" Snap Ring	S	1,2,3	5-3228X	5-789X	
	PB300	2 Piece Driveshaft; w/ 2.625" Snap Ring	S	1,2,3	5-1309X	5-811X	
1974	PB300 Van	1 Piece Driveshaft; w/ 2.125" Snap Ring	A	1,2	5-3228X	5-789X	
	PB300 Van	1 Piece Driveshaft; w/ 2.625" Snap Ring	A	1,2	5-1309X	5-811X	
	PB300 Van	2 Piece Driveshaft; w/ 2.125" Snap Ring	S	1,2,3	5-3228X	5-789X	
	PB300 Van	2 Piece Driveshaft; w/ 2.625" Snap Ring	S	1,2,3	5-1309X	5-811X	
1981	PB350	1 Piece Driveshaft; w/ 2.125" Snap Ring	A	1,2	5-3228X	5-789X	
	PB350	1 Piece Driveshaft; w/ 2.625" Snap Ring	A	1,2	5-1309X	5-811X	
	PB350	2 Piece Driveshaft; w/ 2.125" Snap Ring	S	1,2,3	5-3228X	5-789X	
	PB350	2 Piece Driveshaft; w/ 2.625" Snap Ring	S	1,2,3	5-1309X	5-811X	
1982-1983	PB350	1 Piece Driveshaft	A	1,2	5-3228X	5-789X	
	PB350	2 Piece Driveshaft	S	1,2,3	5-3228X	5-789X	
1974-1981	Trailduster	w/ 2.125" Snap Ring	A	1,2	5-3228X	5-789X	
	Trailduster	w/ 2.625" Snap Ring	A	1,2	5-1309X	5-811X	

**Pontiac**

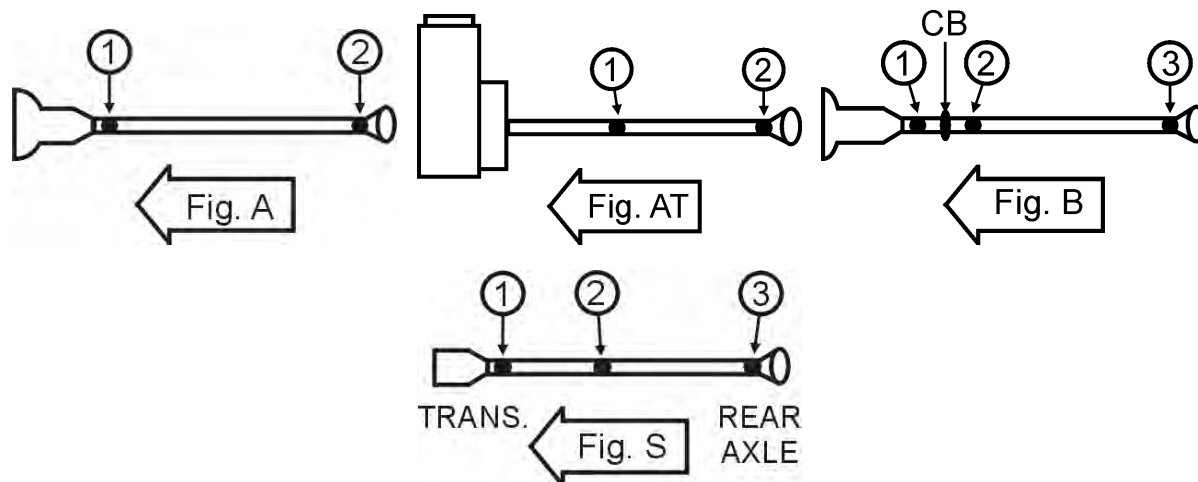
Year	Model	Description	Fig.	Location	Spicer Part #	SPL Part #	SVL Part #
2006	Torrent	2 Piece Driveshaft	AT	1,2	5-3241X		

**Ram**

Year	Model	Description	Fig.	Location	Spicer Part #	SPL Part #	SVL Part #
2011	1500	Exc. Big Horn & SXT; 1 Piece Driveshaft	A	1,2	5-178X*	5-1350-1X* 5-1350X**	15-178X
	1500	Exc. Big Horn & SXT; 2 Piece Driveshaft	S	1,2,3	5-213X*	5-1330-1X* 5-1330X**	15-213X
2012	1500	Exc. Tradesman HD; 1 Piece Driveshaft	A	1,2	5-178X*	5-1350-1X* 5-1350X**	15-178X
	1500	Exc. Tradesman HD; 2 Piece Driveshaft	S	1,2,3	5-213X*	5-1330-1X* 5-1330X**	15-213X

\* GREASEABLE \*\* NON-GREASEABLE





Ram (Cont'd)

Year	Model	Description	Fig.	Location	Spicer Part #	SPL Part #	SVL Part #
2012	1500	Tradesman HD; 2 Piece Driveshaft	S	1,2,3	5-3207X**		
2013	1500	Exc. ST & SXT; 2 Piece Driveshaft	S	1,2,3	5-213X*	5-1330-1X* 5-1330X**	15-213X
2013-2017	1500	Exc. ST & SXT; 1 Piece Driveshaft	A	1,2	5-178X*	5-1350-1X* 5-1350X**	15-178X
2014-2017	1500	Exc. ST & SXT; 2 Piece Driveshaft	S	1,2,3	5-178X*	5-1350-1X* 5-1350X**	15-178X
2011	2500	L6 6.7L; Exc. Outdoorsman & SXT; 1 Piece Driveshaft	A	1,2	5-3206X		
	2500	L6 6.7L; Laramie Longhorn; 1 Piece Driveshaft	A	1,2	5-3206X		
	2500	L6 6.7L; Laramie; 1 Piece Driveshaft	A	1,2	5-3206X		
	2500	L6 6.7L; SLT; 1 Piece Driveshaft	A	1,2	5-3206X		
	2500	L6 6.7L; ST; 1 Piece Driveshaft	A	1,2	5-3206X		
	2500	V8 5.7L; Exc. Outdoorsman & SXT; 1 Piece Driveshaft	A	1,2	5-3207X**		
	2500	V8 5.7L; Laramie Longhorn; 1 Piece Driveshaft	A	1,2	5-3207X**		
	2500	V8 5.7L; Laramie; 1 Piece Driveshaft	A	1,2	5-3207X**		
	2500	V8 5.7L; SLT; 1 Piece Driveshaft	A	1,2	5-3207X**		
	2500	V8 5.7L; ST; 1 Piece Driveshaft	A	1,2	5-3207X**		
	2500	L6 6.7L; Exc. Outdoorsman & SXT; 2 Piece Driveshaft	S	1,2,3	5-3206X		
	2500	L6 6.7L; Laramie Longhorn; 2 Piece Driveshaft	S	1,2,3	5-3206X		
	2500	L6 6.7L; Laramie; 2 Piece Driveshaft	S	1,2,3	5-3206X		
	2500	L6 6.7L; SLT; 2 Piece Driveshaft	S	1,2,3	5-3206X		
	2500	L6 6.7L; ST; 2 Piece Driveshaft	S	1,2,3	5-3206X		
	2500	V8 5.7L; Exc. Outdoorsman & SXT; 2 Piece Driveshaft	S	1,2,3	5-3207X**		
	2500	V8 5.7L; Laramie Longhorn; 2 Piece Driveshaft	S	1,2,3	5-3207X**		
	2012	2500	V8 5.7L; Laramie; 2 Piece Driveshaft	S	1,2,3	5-3207X**	
2500		V8 5.7L; SLT; 2 Piece Driveshaft	S	1,2,3	5-3207X**		
2500		V8 5.7L; ST; 2 Piece Driveshaft	S	1,2,3	5-3207X**		
2500		L6 6.7L; 1 Piece Driveshaft	A	1,2	5-3206X		
2013	2500	V8 5.7L; 1 Piece Driveshaft	A	1,2	5-3207X**		
	2500	L6 6.7L; 2 Piece Driveshaft	S	1,2,3	5-3206X		
2013	2500	V8 5.7L; 2 Piece Driveshaft	S	1,2,3	5-3207X**		
	2500	Exc. SXT; 1 Piece Driveshaft	A	1,2	5-3207X**		
2013	2500	Exc. SXT; 2 Piece Driveshaft	S	1,2,3	5-155X*	SPL70-1X* SPL70X**	15-155X

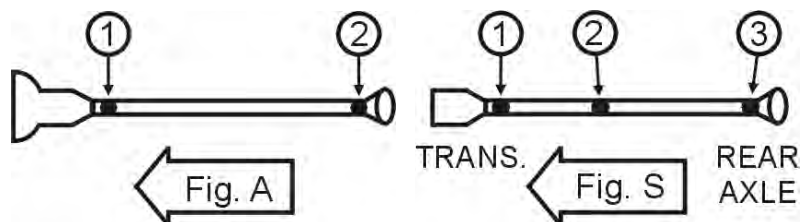
\* GREASEABLE \*\* NON-GREASEABLE

**Ram (Cont'd)**

Year	Model	Description	Fig.	Location	Spicer Part #	SPL Part #	SVL Part #
2014-2017	2500	Exc. ST; 1 Piece Driveshaft	A	1,2	5-3207X**		
	2500	Exc. ST; 2 Piece Driveshaft	S	1,2,3	5-155X*	SPL70-1X* SPL70X**	15-155X
2011	3500	L6 6.7L; Laramie Longhorn; 1 Piece Driveshaft; Dual Rear Wheels	A	1,2	5-3230X		
	3500	L6 6.7L; Laramie Longhorn; 1 Piece Driveshaft; Single Rear Wheels	A	1,2	5-3206X		
	3500	L6 6.7L; Laramie Longhorn; 2 Piece Driveshaft; Dual Rear Wheels	S	1,2,3	5-3230X		
	3500	L6 6.7L; Laramie Longhorn; 2 Piece Driveshaft; Single Rear Wheels	S	1,2,3	5-3206X		
	3500	L6 6.7L; Laramie; Cab & Chassis; 2 Piece Driveshaft; Dual Rear Wheels	S	1,2,3	5-3230X		
	3500	L6 6.7L; Laramie; Cab & Chassis; 2 Piece Driveshaft; Single Rear Wheels	S	1,2,3	5-3206X		
	3500	L6 6.7L; Laramie; Crew Cab; 2 Piece Driveshaft; Dual Rear Wheels	S	1,2,3	5-3230X		
	3500	L6 6.7L; Laramie; Crew Cab; 2 Piece Driveshaft; Single Rear Wheels	S	1,2,3	5-3206X		
	3500	L6 6.7L; Laramie; Extended Crew Cab; 2 Piece Driveshaft; Dual Rear Wheels	S	1,2,3	5-3230X		
	3500	L6 6.7L; Laramie; Extended Crew Cab; 2 Piece Driveshaft; Single Rear Wheels	S	1,2,3	5-3206X		
	3500	L6 6.7L; SLT; Cab & Chassis; 2 Piece Driveshaft; Dual Rear Wheels	S	1,2,3	5-3230X		
	3500	L6 6.7L; SLT; Cab & Chassis; 2 Piece Driveshaft; Single Rear Wheels	S	1,2,3	5-3206X		
	3500	L6 6.7L; SLT; Crew Cab; 2 Piece Driveshaft; Dual Rear Wheels	S	1,2,3	5-3230X		
	3500	L6 6.7L; SLT; Crew Cab; 2 Piece Driveshaft; Single Rear Wheels	S	1,2,3	5-3206X		
	3500	L6 6.7L; SLT; Extended Crew Cab; 2 Piece Driveshaft; Dual Rear Wheels	S	1,2,3	5-3230X		
	3500	L6 6.7L; SLT; Extended Crew Cab; 2 Piece Driveshaft; Single Rear Wheels	S	1,2,3	5-3206X		
	3500	L6 6.7L; SLT; Standard Cab; 2 Piece Driveshaft; Dual Rear Wheels	S	1,2,3	5-3230X		
	3500	L6 6.7L; SLT; Standard Cab; 2 Piece Driveshaft; Single Rear Wheels	S	1,2,3	5-3206X		
	3500	L6 6.7L; ST; Cab & Chassis; 2 Piece Driveshaft; Dual Rear Wheels	S	1,2,3	5-3230X		
	3500	L6 6.7L; ST; Cab & Chassis; 2 Piece Driveshaft; Single Rear Wheels	S	1,2,3	5-3206X		
	3500	L6 6.7L; ST; Crew Cab; 2 Piece Driveshaft; Dual Rear Wheels	S	1,2,3	5-3230X		
	3500	L6 6.7L; ST; Crew Cab; 2 Piece Driveshaft; Single Rear Wheels	S	1,2,3	5-3206X		
	3500	L6 6.7L; ST; Standard Cab; 2 Piece Driveshaft; Dual Rear Wheels	S	1,2,3	5-3230X		
	3500	L6 6.7L; ST; Standard Cab; 2 Piece Driveshaft; Single Rear Wheels	S	1,2,3	5-3206X		
	3500	V8 5.7L; Laramie; 2 Piece Driveshaft; Dual Rear Wheels	S	1,2,3	5-3230X		
	3500	V8 5.7L; Laramie; 2 Piece Driveshaft; Single Rear Wheels	S	1,2,3	5-3206X		
	3500	V8 5.7L; SLT; 2 Piece Driveshaft; Dual Rear Wheels	S	1,2,3	5-3230X		
	3500	V8 5.7L; SLT; 2 Piece Driveshaft; Single Rear Wheels	S	1,2,3	5-3206X		
	3500	V8 5.7L; ST; 2 Piece Driveshaft; Dual Rear Wheels	S	1,2,3	5-3230X		
	3500	V8 5.7L; ST; 2 Piece Driveshaft; Single Rear Wheels	S	1,2,3	5-3206X		
2011-2012	3500	L6 6.7L; Laramie; Cab & Chassis; Auto Trans; 1 Piece Driveshaft	A	1,2	5-3230X		

\* GREASEABLE \*\* NON-GREASEABLE

RWD



Ram (Cont'd)

Year	Model	Description	Fig.	Location	Spicer Part #	SPL Part #	SVL Part #
2011-2012	3500	L6 6.7L; Laramie; Cab & Chassis; Standard Trans; 1 Piece Driveshaft	A	1,2	5-3230X		
	3500	L6 6.7L; Laramie; Crew Cab; 1 Piece Driveshaft; Dual Rear Wheels	A	1,2	5-3230X		
	3500	L6 6.7L; Laramie; Crew Cab; 1 Piece Driveshaft; Single Rear Wheels	A	1,2	5-3206X		
	3500	L6 6.7L; Laramie; Extended Crew Cab; 1 Piece Driveshaft; Dual Rear Wheels	A	1,2	5-3230X		
	3500	L6 6.7L; Laramie; Extended Crew Cab; 1 Piece Driveshaft; Single Rear Wheels	A	1,2	5-3206X		
	3500	L6 6.7L; SLT; Cab & Chassis; Auto Trans; 1 Piece Driveshaft	A	1,2	5-3230X		
	3500	L6 6.7L; SLT; Cab & Chassis; Standard Trans; 1 Piece Driveshaft	A	1,2	5-3230X		
	3500	L6 6.7L; SLT; Crew Cab; 1 Piece Driveshaft; Dual Rear Wheels	A	1,2	5-3230X		
	3500	L6 6.7L; SLT; Crew Cab; 1 Piece Driveshaft; Single Rear Wheels	A	1,2	5-3206X		
	3500	L6 6.7L; SLT; Extended Crew Cab; 1 Piece Driveshaft; Dual Rear Wheels	A	1,2	5-3230X		
	3500	L6 6.7L; SLT; Extended Crew Cab; 1 Piece Driveshaft; Single Rear Wheels	A	1,2	5-3206X		
	3500	L6 6.7L; SLT; Standard Cab; 1 Piece Driveshaft; Dual Rear Wheels	A	1,2	5-3230X		
	3500	L6 6.7L; SLT; Standard Cab; 1 Piece Driveshaft; Single Rear Wheels	A	1,2	5-3206X		
	3500	L6 6.7L; ST; Cab & Chassis; Auto Trans; 1 Piece Driveshaft	A	1,2	5-3230X		
	3500	L6 6.7L; ST; Cab & Chassis; Standard Trans; 1 Piece Driveshaft	A	1,2	5-3230X		
	3500	L6 6.7L; ST; Crew Cab; 1 Piece Driveshaft; Dual Rear Wheels	A	1,2	5-3230X		
	3500	L6 6.7L; ST; Crew Cab; 1 Piece Driveshaft; Single Rear Wheels	A	1,2	5-3206X		
	3500	L6 6.7L; ST; Standard Cab; 1 Piece Driveshaft; Dual Rear Wheels	A	1,2	5-3230X		
	3500	L6 6.7L; ST; Standard Cab; 1 Piece Driveshaft; Single Rear Wheels	A	1,2	5-3206X		
	3500	V8 5.7L; Laramie; 1 Piece Driveshaft	A	1,2	5-3230X		
3500	V8 5.7L; SLT; 1 Piece Driveshaft	A	1,2	5-3230X			
3500	V8 5.7L; ST; 1 Piece Driveshaft	A	1,2	5-3230X			
2012	3500	Laramie Longhorn; 1 Piece Driveshaft; Dual Rear Wheels	A	1,2	5-3230X		
	3500	Laramie Longhorn; 1 Piece Driveshaft; Single Rear Wheels	A	1,2	5-3206X		
	3500	2 Piece Driveshaft; Dual Rear Wheels	S	1,2,3	5-3230X		
2013	3500	Exc. SXT; 1 Piece Driveshaft	A	1,2	5-155X*	SPL70-1X* SPL70X**	15-155X
	3500	Exc. SXT; 2 Piece Driveshaft	S	1,2,3	5-155X*	SPL70-1X* SPL70X**	15-155X
2014-2017	3500	Exc. ST; 1 Piece Driveshaft	A	1,2	5-155X*	SPL70-1X* SPL70X**	15-155X

\* GREASEABLE \*\* NON-GREASEABLE

RWD

**Ram (Cont'd)**

Year	Model	Description	Fig.	Location	Spicer Part #	SPL Part #	SVL Part #
2014-2017	3500	Exc. ST; 2 Piece Driveshaft	S	1,2,3	5-155X*	SPL70-1X* SPL70X**	15-155X
2011	4500	1 Piece Driveshaft	A	1,2	5-155X*	SPL70-1X* SPL70X**	15-155X
	4500	3 Piece Driveshaft	R	1,2,3,4	5-155X*	SPL70-1X* SPL70X**	15-155X
2012	4500	1 Piece Driveshaft	A	1,2	5-3230X		
2014-2015	4500	Exc. ST; 1 Piece Driveshaft	A	1,2	5-155X*	SPL70-1X* SPL70X**	15-155X
	4500	Exc. ST; 2 Piece Driveshaft	S	1,2,3	5-155X*	SPL70-1X* SPL70X**	15-155X
2016-2017	4500	1 Piece Driveshaft	A	1,2	5-155X*	SPL70-1X* SPL70X**	15-155X
	4500	2 Piece Driveshaft	S	1,2,3	5-155X*	SPL70-1X* SPL70X**	15-155X
2011	5500	1 Piece Driveshaft	A	1,2	5-155X*	SPL70-1X* SPL70X**	15-155X
	5500	3 Piece Driveshaft	R	1,2,3,4	5-155X*	SPL70-1X* SPL70X**	15-155X
2012	5500	1 Piece Driveshaft	A	1,2	5-3230X		
2015	5500	Exc. ST; 1 Piece Driveshaft	A	1,2	5-155X*	SPL70-1X* SPL70X**	15-155X
	5500	Exc. ST; 2 Piece Driveshaft	S	1,2,3	5-155X*	SPL70-1X* SPL70X**	15-155X
2016-2017	5500	1 Piece Driveshaft	A	1,2	5-155X*	SPL70-1X* SPL70X**	15-155X
	5500	2 Piece Driveshaft	S	1,2,3	5-155X*	SPL70-1X* SPL70X**	15-155X
2011	Dakota	1 Piece Driveshaft	A	1,2	5-213X*	5-1330-1X* 5-1330X**	15-213X
	Dakota	2 Piece Driveshaft	B	1,2,3	5-213X*	5-1330-1X* 5-1330X**	15-213X

**Saturn**

Year	Model	Description	Fig.	Location	Spicer Part #	SPL Part #	SVL Part #
2002-2007	Vue	2 Piece Driveshaft	AT	1,2	5-3241X		

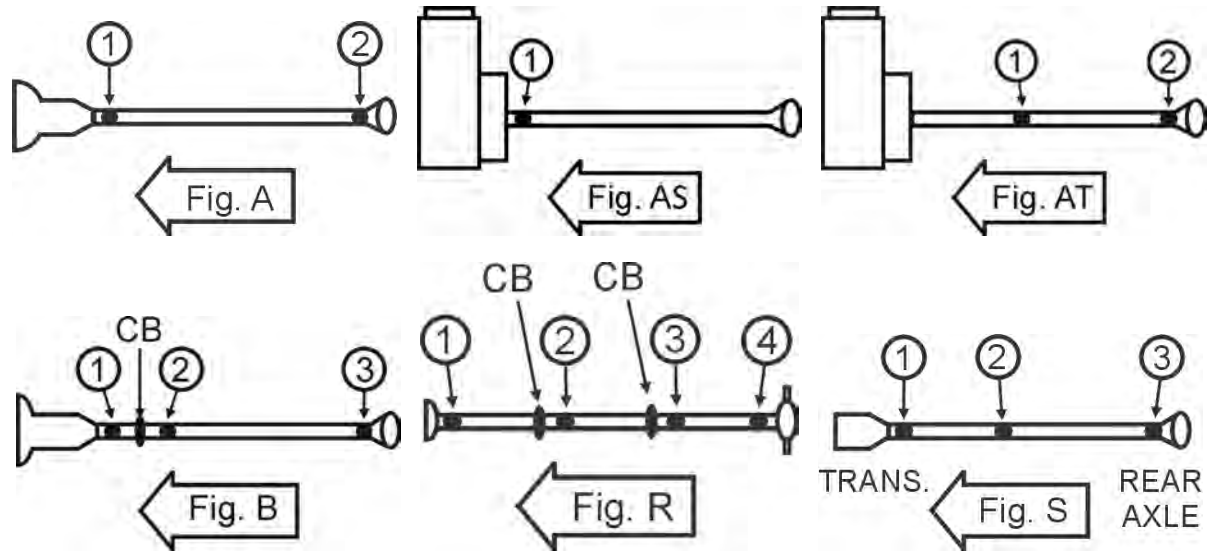
**Subaru**

Year	Model	Description	Fig.	Location	Spicer Part #	SPL Part #	SVL Part #
1978-1987	Brat		A	1,2	5-1501X		

**Suzuki**

Year	Model	Description	Fig.	Location	Spicer Part #	SPL Part #	SVL Part #
2009-2012	Equator	2 Piece Driveshaft	S	1,2,3	5-153X*	5-1310-1X* 5-1310X**	15-153X
1999	Grand Vitara	Auto Trans	A	1,2	5-1503X		
	Grand Vitara	Standard Trans	A	1,2	5-3257X		
2000-2005	Grand Vitara	Auto Trans; 1 Piece Driveshaft	A	1,2	5-1503X		
	Grand Vitara	Standard Trans; 1 Piece Driveshaft	A	1,2	5-3257X		
2001	Grand Vitara	1 Piece Driveshaft	AS	1	5-3257X		
2006-2013	Grand Vitara	1 Piece Driveshaft	A	1,2	5-3257X		
1990-1998	Sidekick		A	1,2	5-1503X		
1999	Vitara		A	1,2	5-1503X		
2000-2003	Vitara	1 Piece Driveshaft	A	1,2	5-1503X		
2004	Vitara	Auto Trans; 1 Piece Driveshaft	A	1,2	5-1503X		
	Vitara	Standard Trans; 1 Piece Driveshaft	A	1,2	5-3257X		
2002-2006	XL-7	1 Piece Driveshaft	AS	1	5-3257X		

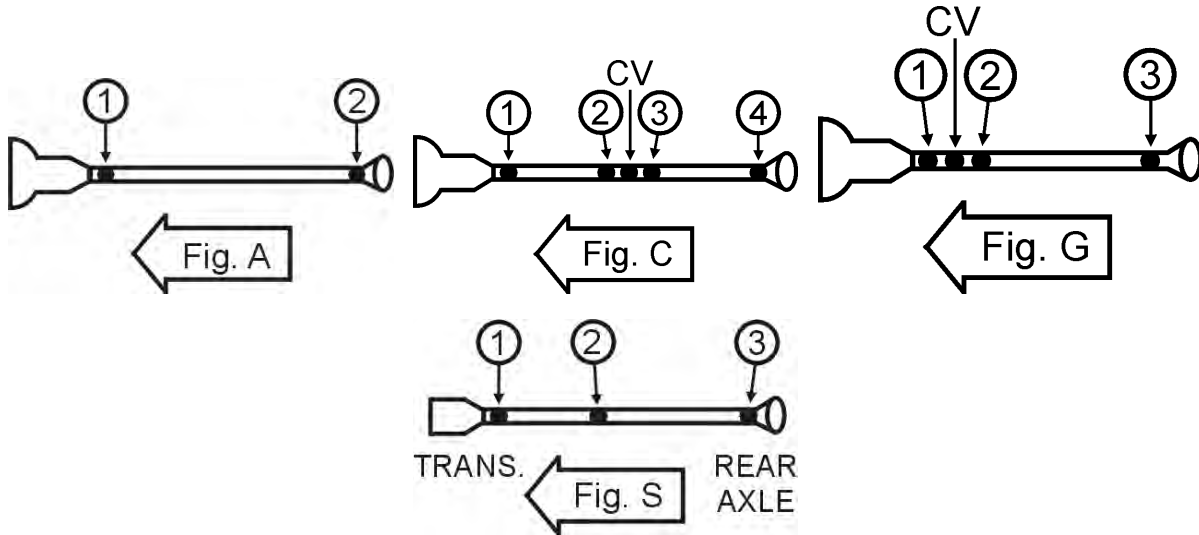
\* GREASEABLE \*\* NON-GREASEABLE



**Toyota**

Year	Model	Description	Fig.	Location	Spicer Part #	SPL Part #	SVL Part #
1990-1999	4Runner		A	1,2	5-1510X*		
2000-2015	4Runner	1 Piece Driveshaft	A	1,2	5-1510X*		
2007-2014	FJ Cruiser	1 Piece Driveshaft	A	1,2	5-1510X*		
1969-1978	Pickup		A	1,2	5-1508X		
1979-1983	Pickup	1/2 Ton; 1 Piece Driveshaft	A	1,2	5-1510X*		
	Pickup	Exc. 1/2 Ton; 1 Piece Driveshaft	A	1,2	5-1508X		
	Pickup	1/2 Ton; 2 Piece Driveshaft	S	1,2,3	5-1510X*		
	Pickup	Exc. 1/2 Ton; 2 Piece Driveshaft	S	1,2,3	5-1508X		
1984-1988	Pickup	4 Speed; Auto Trans; 1 Piece Driveshaft	A	1,2	5-1510X*		
	Pickup	4 Speed; Standard Trans; 1 Piece Driveshaft	A	1,2	5-1508X		
	Pickup	5 Speed; 1 Piece Driveshaft	A	1,2	5-1510X*		
	Pickup	4 Speed; Auto Trans; 2 Piece Driveshaft	S	1,2,3	5-1510X*		
	Pickup	4 Speed; Standard Trans; 2 Piece Driveshaft	S	1,2,3	5-1508X		
	Pickup	5 Speed; 2 Piece Driveshaft	S	1,2,3	5-1510X*		
1989-1995	Pickup	1 Piece Driveshaft; w/ Inside Snap Rings	A	1,2	5-1510X*		
	Pickup	1 Piece Driveshaft; w/ Outside Snap Rings	A	1,2	5-153X*	5-1310-1X* 5-1310X**	15-153X
	Pickup	2 Piece Driveshaft	S	1,2,3	5-1510X*		
1991-1992	Previa	Automatic	A	1,2	5-1510X*		
2001-2004	Sequoia	1 Piece Driveshaft	A	1,2	5-153X*	5-1310-1X* 5-1310X**	15-153X
2008-2017	Sequoia	1 Piece Driveshaft	A	1,2	5-178X*	5-1350-1X* 5-1350X**	15-178X
1993-1996	T100	w/ Inside Snap Rings	S	1,2,3	5-1510X*		
	T100	w/ Outside Snap Rings	S	1,2,3	5-153X*	5-1310-1X* 5-1310X**	15-153X
1997-1998	T100		S	1,2,3	5-153X*	5-1310-1X* 5-1310X**	15-153X
1995-1997	Tacoma	Standard Cab; 1 Piece Driveshaft; w/ Inside Snap Rings	A	1,2	5-1510X*		
	Tacoma	Standard Cab; 1 Piece Driveshaft; w/ Outside Snap Rings	A	1,2	5-153X*	5-1310-1X* 5-1310X**	15-153X
	Tacoma	Extended Cab; 2 Piece Driveshaft	S	1,2,3	5-1510X*		
1998	Tacoma	DLX; Standard Cab; 1 Piece Driveshaft; w/ Inside Snap Rings	A	1,2	5-1510X*		
	Tacoma	DLX; Standard Cab; 1 Piece Driveshaft; w/ Outside Snap Rings	A	1,2	5-153X*	5-1310-1X* 5-1310X**	15-153X

\* GREASEABLE \*\* NON-GREASEABLE



RWD

**Toyota (Cont'd)**

Year	Model	Description	Fig.	Location	Spicer Part #	SPL Part #	SVL Part #
1998-1999	Tacoma	Pre Runner; Extended Cab; 1 Piece Driveshaft; CV at Center Bearing	C	1,4	5-1510X*		
	Tacoma	Base; DLX; Extended Cab; 2 Piece Driveshaft	S	1,2,3	5-1510X*		
1999	Tacoma	Base; DLX; Standard Cab; 1 Piece Driveshaft; w/ Inside Snap Rings	A	1,2	5-1510X*		
	Tacoma	Base; DLX; Standard Cab; 1 Piece Driveshaft; w/ Outside Snap Rings	A	1,2	5-153X*	5-1310-1X* 5-1310X**	15-153X
	Tacoma	Pre Runner; Standard Cab; 1 Piece Driveshaft; CV at Trans	G	3	5-1510X*		
	Tacoma	L4 2.7L; SR5; 1 Piece Driveshaft	A	1,2	5-1510X*		
2000	Tacoma	L4 2.4L; SR5; 2 Piece Driveshaft; Extra Cab	S	1,2,3	5-1510X*		
	Tacoma	V6 3.4L; SR5; 2 Piece Driveshaft	S	1,2,3	5-1510X*		
	Tacoma	L4 2.7L; Base; 1 Piece Driveshaft	A	1,2	5-1510X*		
2000-2002	Tacoma	L4 2.7L; Pre Runner; 1 Piece Driveshaft	A	1,2	5-1510X*		
	Tacoma	L4 2.4L; Base; Standard Cab; 1 Piece Driveshaft; Dana Axle	A	1,2	5-153X*	5-1310-1X* 5-1310X**	15-153X
2000-2004	Tacoma	L4 2.4L; Base; Standard Cab; 1 Piece Driveshaft; Exc. Dana Axle	A	1,2	5-1510X*		
	Tacoma	V6 3.4L; Pre Runner; 2 Piece Driveshaft	C	1,4	5-1510X*		
	Tacoma	L4 2.4L; Base; 2 Piece Driveshaft; Extra Cab	S	1,2,3	5-1510X*		
	Tacoma	V6 3.4L; Base; 2 Piece Driveshaft	S	1,2,3	5-1510X*		
2001-2004	Tacoma	V6 3.4L; S-Runner; 2 Piece Driveshaft	S	1,2,3	5-1510X*		
2003-2004	Tacoma	L4 2.7L; Base; Standard Cab; 1 Piece Driveshaft	A	1,2	5-1510X*		
	Tacoma	L4 2.7L; Pre Runner; Standard Cab; 1 Piece Driveshaft	A	1,2	5-1510X*		
	Tacoma	L4 2.7L; Base; 2 Piece Driveshaft; Extra Cab	C	1,4	5-1510X*		
	Tacoma	L4 2.7L; Pre Runner; 2 Piece Driveshaft; Extra Cab	C	1,4	5-1510X*		
2005-2014	Tacoma	1 Piece Driveshaft	A	1,2	5-213X*	5-1330-1X* 5-1330X**	15-213X
2005-2017	Tacoma	2 Piece Driveshaft	S	1,2,3	5-213X*	5-1330-1X* 5-1330X**	15-213X
2000-2004	Tundra	2 Piece Driveshaft	S	1,2,3	5-153X*	5-1310-1X* 5-1310X**	15-153X
2005-2006	Tundra	2 Piece Driveshaft	S	1,2,3	5-213X*	5-1330-1X* 5-1330X**	15-213X
2007-2017	Tundra	1 Piece Driveshaft	A	1,2	5-178X*	5-1350-1X* 5-1350X**	15-178X
	Tundra	2 Piece Driveshaft	S	1,2,3	5-178X*	5-1350-1X* 5-1350X**	15-178X
1984-1985	Van		A	1,2	5-3223X		

\* GREASEABLE \*\* NON-GREASEABLE



**Acura**

Year	Model	Description	Fig.	Location	Spicer Part #	SPL Part #	SVL Part #
1996-1997	SLX		N	2,3,4,5,6	5-1515X		
1998-1999	SLX		L	2,3	5-1515X		
	SLX		L	4,5	5-3259-1X		

**AM General**

Year	Model	Description	Fig.	Location	Spicer Part #	SPL Part #	SVL Part #
2000-2001	Hummer	1 Piece Driveshaft	P	2,3,4	5-213X*	5-1330-1X* 5-1330X**	15-213X
	Hummer	1 Piece Driveshaft	P	5,6	5-178X*	5-1350-1X* 5-1350X**	15-178X

**Buick**

Year	Model	Description	Fig.	Location	Spicer Part #	SPL Part #	SVL Part #
2004-2007	Rainier		L	2	5-160X*	5-1410-1X* 5-1410X**	15-160X
	Rainier		L	4,5	5-3147X*	5-795X**	15-3147X

**Cadillac**

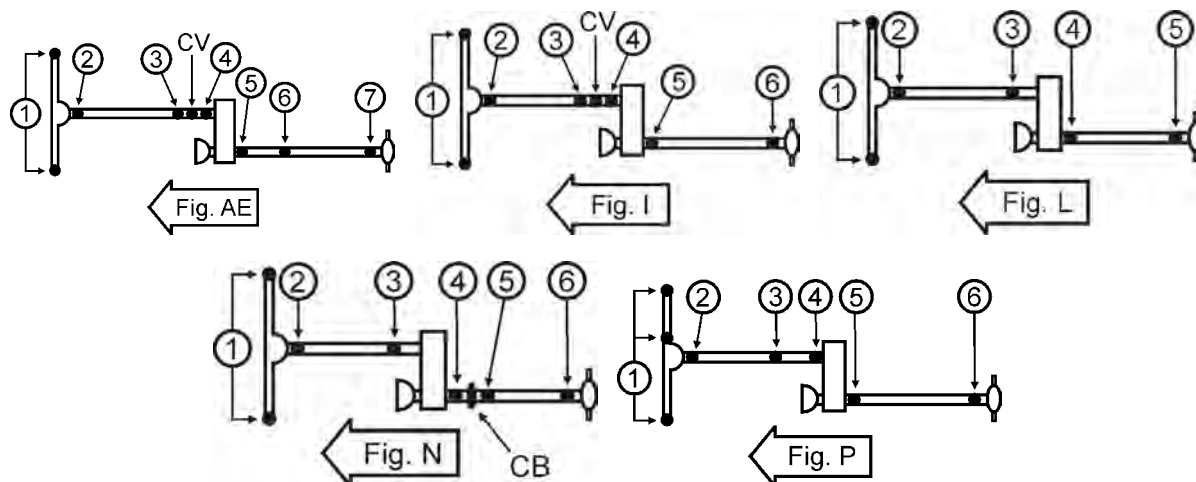
Year	Model	Description	Fig.	Location	Spicer Part #	SPL Part #	SVL Part #
2002-2006	Escalade	V8 6.0L; 1 Piece Driveshaft	L	2,3,4,5	5-3147X*	5-795X**	15-3147X
2005	Escalade	V8 5.3L; 1 Piece Driveshaft	L	2,3,4,5	5-3147X*	5-795X**	15-3147X
2007	Escalade	V8 6.2L; 1 Piece Driveshaft	L	2,3,4,5	5-3147X*	5-795X**	15-3147X
2008	Escalade	1 Piece Driveshaft	L	2,3,4,5	5-3147X*	5-795X**	15-3147X
2009-2016	Escalade	1 Piece Driveshaft	L	2,3	5-3147X*	5-795X**	15-3147X
2010	Escalade	Base; 1 Piece Driveshaft	L	4,5	5-178X*	5-1350-1X* 5-1350X**	15-178X
	Escalade	Hybrid Platinum; 1 Piece Driveshaft	L	4,5	5-178X*	5-1350-1X* 5-1350X**	15-178X
	Escalade	Hybrid; 1 Piece Driveshaft	L	4,5	5-3147X*	5-795X**	15-3147X
	Escalade	Platinum; 1 Piece Driveshaft	L	4,5	5-178X*	5-1350-1X* 5-1350X**	15-178X
2011-2014	Escalade	1 Piece Driveshaft	L	4,5	5-178X*	5-1350-1X* 5-1350X**	15-178X
2015-2016	Escalade	1 Piece Driveshaft	L	4,5	5-160X*	5-1410-1X* 5-1410X**	15-160X
2004	Escalade ESV	1 Piece Driveshaft	L	2,3,4	5-3147X*	5-795X**	15-3147X
2005-2008	Escalade ESV	1 Piece Driveshaft	L	2,3,4,5	5-3147X*	5-795X**	15-3147X
2009-2014	Escalade ESV	1 Piece Driveshaft	L	2,3	5-3147X*	5-795X**	15-3147X
	Escalade ESV	1 Piece Driveshaft	L	4,5	5-178X*	5-1350-1X* 5-1350X**	15-178X
2015-2016	Escalade ESV	1 Piece Driveshaft	L	2,3,4,5	5-160X*	5-1410-1X* 5-1410X**	15-160X
2002-2008	Escalade EXT	1 Piece Driveshaft	L	2,3,4,5	5-3147X*	5-795X**	15-3147X
2009-2013	Escalade EXT	1 Piece Driveshaft	L	2,3	5-3147X*	5-795X**	15-3147X
	Escalade EXT	1 Piece Driveshaft	L	4,5	5-178X*	5-1350-1X* 5-1350X**	15-178X

**Chevrolet**

Year	Model	Description	Fig.	Location	Spicer Part #	SPL Part #	SVL Part #
1990-2002	Astro		L	2,4	5-3147X*	5-795X**	15-3147X
	Astro		L	5	5-178X*	5-1350-1X* 5-1350X**	15-178X
2003-2005	Astro		L	2,4,5	5-3147X*	5-795X**	15-3147X
2007-2008	Avalanche	V8 6.0L; 1 Piece Driveshaft	L	2,3	5-3147X*	5-795X**	15-3147X
	Avalanche	V8 5.3L; 1 Piece Driveshaft	L	2,3,4,5	5-3147X*	5-795X**	15-3147X
	Avalanche	V8 6.0L; 1 Piece Driveshaft	L	4,5	5-178X*	5-1350-1X* 5-1350X**	15-178X
2009-2013	Avalanche	1 Piece Driveshaft	L	2,3	5-3147X*	5-795X**	15-3147X

\* GREASEABLE \*\* NON-GREASEABLE





Chevrolet (Cont'd)

Year	Model	Description	Fig.	Location	Spicer Part #	SPL Part #	SVL Part #
2009-2013	Avalanche	1 Piece Driveshaft	L	4,5	5-178X*	5-1350-1X* 5-1350X**	15-178X
2002-2006	Avalanche 1500	1 Piece Driveshaft	L	2,3,4,5	5-3147X*	5-795X**	15-3147X
2002-2006	Avalanche 2500	1 Piece Driveshaft	L	2,3	5-3147X*	5-795X**	15-3147X
	Avalanche 2500	1 Piece Driveshaft	L	4,5	5-160X*	5-1410-1X* 5-1410X**	15-160X
1969-1971	Blazer		I	1	5-260X**		15-260X
	Blazer		I	2,3,4,5,6	5-153X*	5-1310-1X* 5-1310X**	15-153X
1972-1974	Blazer	w/ Inside Snap Rings	I	2,3,4	5-3147X*	5-795X**	15-3147X
	Blazer	w/ Outside Snap Rings	I	2,3,4	5-153X*	5-1310-1X* 5-1310X**	15-153X
	Blazer		I	5,6	5-153X*	5-1310-1X* 5-1310X**	15-153X
1987	Blazer		I	1	5-3226X	5-760X**	
	Blazer		I	2	5-153X*	5-1310-1X* 5-1310X**	15-153X
	Blazer		I	3,4	5-3147X*	5-795X**	15-3147X
	Blazer	3 Speed; 5 Speed	I	5,6	5-3147X*	5-795X**	15-3147X
	Blazer	Auto Trans; 4 Speed	I	5,6	5-3147X*	5-795X**	15-3147X
	Blazer	Standard Trans; 4 Speed	I	5,6	5-178X*	5-1350-1X* 5-1350X**	15-178X
1987-1991	Blazer		I	CV	211009X		
1988	Blazer	2 Piece Driveshaft; w/ Aluminum Driveshaft	AE	5,7	5-3147X*	5-795X**	15-3147X
	Blazer	2 Piece Driveshaft; w/ Steel Driveshaft	AE	5,7	5-178X*	5-1350-1X* 5-1350X**	15-178X
	Blazer	1 Piece Driveshaft; w/ Press-on Slip Yoke Seal	L	2	5-3213X		
	Blazer	1 Piece Driveshaft; w/ Screw-on Slip Yoke Seal	L	2,3	5-160X*	5-1410-1X* 5-1410X**	15-160X
	Blazer	1 Piece Driveshaft	L	4,5	5-3147X*	5-795X**	15-3147X
1988-1991	Blazer	2 Piece Driveshaft	AE	1	5-3226X	5-760X**	
	Blazer	2 Piece Driveshaft	AE	2	5-153X*	5-1310-1X* 5-1310X**	15-153X
	Blazer	2 Piece Driveshaft	AE	3,4	5-3147X*	5-795X**	15-3147X
1989-1990	Blazer	1 Piece Driveshaft; w/ Press-on Slip Yoke Seal	L	2,3	5-153X*	5-1310-1X* 5-1310X**	15-153X
	Blazer	1 Piece Driveshaft; w/ Slip-on Slip Yoke Seal	L	2,3	5-160X*	5-1410-1X* 5-1410X**	15-160X
1989-1991	Blazer	Auto Trans; 4 Speed; 2 Piece Driveshaft	AE	5,7	5-3147X*	5-795X**	15-3147X
	Blazer	Standard Trans; 4 Speed; 2 Piece Driveshaft; w/ Steel Driveshaft	AE	5,7	5-178X*	5-1350-1X* 5-1350X**	15-178X

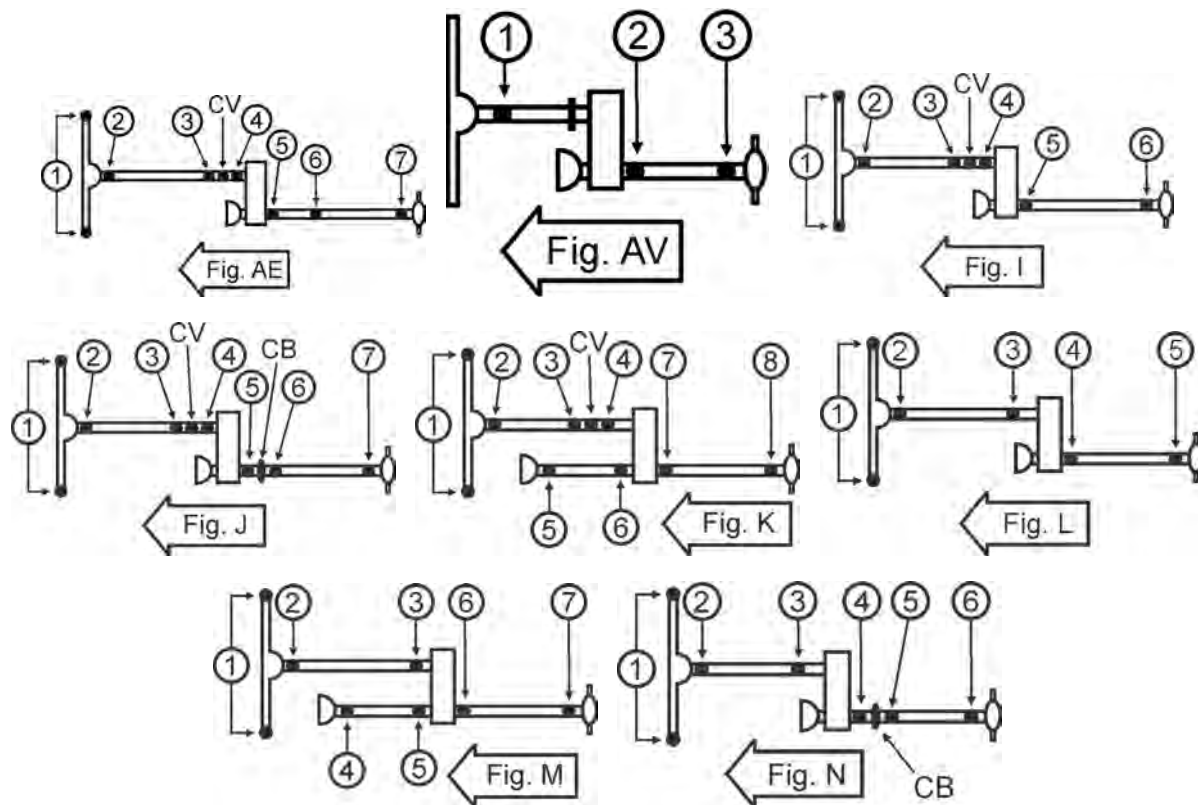
\* GREASEABLE \*\* NON-GREASEABLE

4 W D

**Chevrolet (Cont'd)**

Year	Model	Description	Fig.	Location	Spicer Part #	SPL Part #	SVL Part #
1989-1991	Blazer	Standard Trans; 5 Speed; 2 Piece Driveshaft	AE	5,7	5-3147X*	5-795X**	15-3147X
	Blazer	Auto Trans; 4 Speed; 1 Piece Driveshaft	L	4,5	5-3147X*	5-795X**	15-3147X
	Blazer	Standard Trans; 4 Speed; 1 Piece Steel Driveshaft	L	4,5	5-178X*	5-1350-1X* 5-1350X**	15-178X
	Blazer	Standard Trans; 5 Speed; 1 Piece Driveshaft	L	4,5	5-3147X*	5-795X**	15-3147X
1991	Blazer	1 Piece Driveshaft	L	2	5-153X*	5-1310-1X* 5-1310X**	15-153X
	Blazer	1 Piece Driveshaft; w/ Press-on Slip Yoke Seal	L	3	5-153X*	5-1310-1X* 5-1310X**	15-153X
1992-1994	Blazer		L	2,3,4,5	5-3147X*	5-795X**	15-3147X
1995-1999	Blazer		L	2	5-160X*	5-1410-1X* 5-1410X**	15-160X
	Blazer	2 Door; w/ ZR2 High Wider Sport Package	L	4,5	5-178X*	5-1350-1X* 5-1350X**	15-178X
	Blazer	2 Door; w/o ZR2 High Wider Sport Package	L	4,5	5-3147X*	5-795X**	15-3147X
	Blazer	4 Door	L	4,5	5-3147X*	5-795X**	15-3147X
2000-2001	Blazer	1 Piece Driveshaft; Exc. ZR2 Higher Wider Package	AV	2,3	5-3147X*	5-795X**	15-3147X
2000-2005	Blazer	1 Piece Driveshaft	AV	1	5-3213X		
	Blazer	1 Piece Driveshaft; ZR2 Higher Wider Package	AV	2,3	5-178X*	5-1350-1X* 5-1350X**	15-178X
2002	Blazer	1 Piece Driveshaft; Exc. ZR2 Higher Wider Package	AV	2,3	5-3213X		
2003-2005	Blazer	1 Piece Driveshaft; Exc. ZR2 Higher Wider Package	AV	2,3	5-3147X*	5-795X**	15-3147X
2004-2012	Colorado	1 Piece Driveshaft	AV	1	5-153X*	5-1310-1X* 5-1310X**	15-153X
	Colorado	1 Piece Driveshaft	AV	2	5-213X*	5-1330-1X* 5-1330X**	15-213X
	Colorado	1 Piece Driveshaft	AV	3	5-212X*	5-793X**	
2015-2016	Colorado	1 Piece Driveshaft	AV	1,2,3	5-178X*	5-1350-1X* 5-1350X**	15-178X
2005-2006	Equinox	2 Piece Driveshaft	N	5,6	5-3241X		
2006-2014	Express 1500	V8 5.3L; 1 Piece Driveshaft	L	2,3,4,5	5-3147X*	5-795X**	15-3147X
1975-1976	K10		K	1	5-3226X	5-760X**	
	K10		K	2,3,4,5,6,7,8	5-153X*	5-1310-1X* 5-1310X**	15-153X
1977	K10		I	2,3,4,5,6	5-153X*	5-1310-1X* 5-1310X**	15-153X
1977-1978	K10	w/ Inside Snap Rings	J	CV	211009X		
1978	K10	1 Piece Driveshaft	I	1	5-3226X	5-760X**	
	K10	1 Piece Driveshaft	I	2,5,6	5-153X*	5-1310-1X* 5-1310X**	15-153X
	K10	1 Piece Driveshaft; w/ Inside Snap Rings	I	3,4	5-3147X*	5-795X**	15-3147X
	K10	1 Piece Driveshaft; w/ Outside Snap Rings	I	3,4	5-153X*	5-1310-1X* 5-1310X**	15-153X
	K10	2 Piece Driveshaft; w/ Inside Snap Rings	I	3,4	5-3147X*	5-795X**	15-3147X
	K10	2 Piece Driveshaft; w/ Outside Snap Rings	I	3,4	5-153X*	5-1310-1X* 5-1310X**	15-153X
	K10	2 Piece Driveshaft	J	1	5-3226X	5-760X**	
	K10	2 Piece Driveshaft	J	2,5	5-153X*	5-1310-1X* 5-1310X**	15-153X
	K10	2 Piece Driveshaft	J	6,7	5-178X*	5-1350-1X* 5-1350X**	15-178X
	K10		I	5,6	5-153X*	5-1310-1X* 5-1310X**	15-153X
1979-1981	K10		I	1	5-3226X	5-760X**	
1979-1986	K10		I	2	5-153X*	5-1310-1X* 5-1310X**	15-153X
	K10		I	3,4	5-3147X*	5-795X**	15-3147X
	K10		I	CV	211009X		
	K10	w/ Inside Snap Rings	I	5,6	5-3147X*	5-795X**	15-3147X

\* GREASEABLE \*\* NON-GREASEABLE



4  
W  
D

**Chevrolet (Cont'd)**

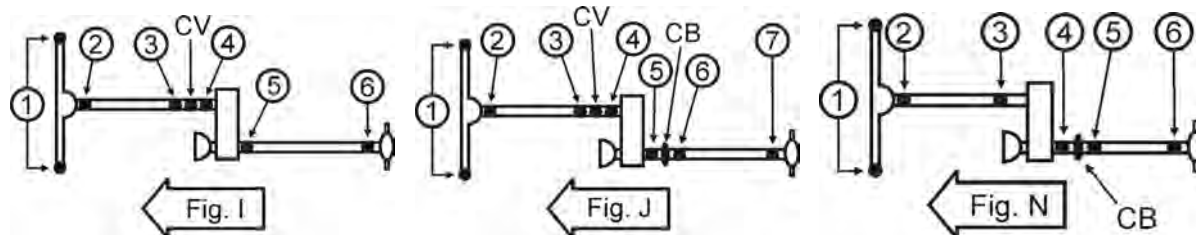
Year	Model	Description	Fig.	Location	Spicer Part #	SPL Part #	SVL Part #
1982-1986	K10	w/ Outside Snap Rings	I	5,6	5-178X*	5-1350-1X* 5-1350X**	15-178X
1964-1966	K10 Pickup		M	1	5-260X**		15-260X
	K10 Pickup		M	2,3	5-153X*	5-1310-1X* 5-1310X**	15-153X
	K10 Pickup		M	4,5	5-178X*	5-1350-1X* 5-1350X**	15-178X
	K10 Pickup		M	6,7	5-153X*	5-1310-1X* 5-1310X**	15-153X
1967-1971	K10 Pickup		K	1	5-260X**		15-260X
1967-1974	K10 Pickup		K	2,3,4,5,6,7,8	5-153X*	5-1310-1X* 5-1310X**	15-153X
1972	K10 Pickup	1.062" Cup Dia.	K	1	5-260X**		15-260X
	K10 Pickup	1.188" Cup Dia.	K	1	5-3226X	5-760X**	
1973-1974	K10 Pickup		K	1	5-3226X	5-760X**	
1968-1971	K10 Suburban		K	1	5-260X**		15-260X
1968-1976	K10 Suburban		K	2,3,4,5,6,7,8	5-153X*	5-1310-1X* 5-1310X**	15-153X
	K10 Suburban	1.062" Cup Dia.	K	1	5-260X**		15-260X
1972	K10 Suburban	1.188" Cup Dia.	K	1	5-3226X	5-760X**	
	K10 Suburban		K	1	5-3226X	5-760X**	
1973-1976	K10 Suburban		K	1	5-3226X	5-760X**	
1977	K10 Suburban		I	2,3,4,5,6	5-153X*	5-1310-1X* 5-1310X**	15-153X
1977-1978	K10 Suburban	1 Piece Driveshaft; w/ Inside Snap Rings	I	CV	211009X		
	K10 Suburban	2 Piece Driveshaft; w/ Inside Snap Rings	J	CV	211009X		
1978	K10 Suburban	1 Piece Driveshaft	I	1	5-3226X	5-760X**	
	K10 Suburban	1 Piece Driveshaft	I	2,5,6	5-153X*	5-1310-1X* 5-1310X**	15-153X
	K10 Suburban	1 Piece Driveshaft; w/ Inside Snap Rings	I	3,4	5-3147X*	5-795X**	15-3147X

\* GREASEABLE \*\* NON-GREASEABLE

**Chevrolet (Cont'd)**

Year	Model	Description	Fig.	Location	Spicer Part #	SPL Part #	SVL Part #
1978	K10 Suburban	1 Piece Driveshaft; w/ Outside Snap Rings	I	3,4	5-153X*	5-1310-1X* 5-1310X**	15-153X
	K10 Suburban	2 Piece Driveshaft	J	1	5-3226X	5-760X**	
	K10 Suburban	2 Piece Driveshaft	J	2,5	5-153X*	5-1310-1X* 5-1310X**	15-153X
	K10 Suburban	2 Piece Driveshaft; w/ Inside Snap Rings	J	3,4	5-3147X*	5-795X**	15-3147X
	K10 Suburban	2 Piece Driveshaft; w/ Outside Snap Rings	J	3,4	5-153X*	5-1310-1X* 5-1310X**	15-153X
	K10 Suburban	2 Piece Driveshaft	J	6,7	5-178X*	5-1350-1X* 5-1350X**	15-178X
1979-1981	K10 Suburban		I	5,6	5-153X*	5-1310-1X* 5-1310X**	15-153X
	K10 Suburban	1 Piece Driveshaft	I	CV	211009X		
	K10 Suburban	2 Piece Driveshaft	J	CV	211009X		
1979-1986	K10 Suburban		I	1	5-3226X	5-760X**	
	K10 Suburban		I	2	5-153X*	5-1310-1X* 5-1310X**	15-153X
	K10 Suburban		I	3,4	5-3147X*	5-795X**	15-3147X
1982-1986	K10 Suburban	w/ Inside Snap Rings	I	5,6	5-3147X*	5-795X**	15-3147X
	K10 Suburban	w/ Outside Snap Rings	I	5,6	5-178X*	5-1350-1X* 5-1350X**	15-178X
	K10 Suburban		I	CV	211009X		
1988	K1500	Standard Trans; 2 Piece Driveshaft	N	2	5-212X*	5-793X**	
	K1500	Auto Trans; 2 Piece Driveshaft	N	2,3	5-3147X*	5-795X**	15-3147X
1988-1991	K1500	Standard Trans; 2 Piece Driveshaft; w/ Aluminum Yoke	N	3		5-3614X	
	K1500	Standard Trans; 2 Piece Driveshaft; w/ Steel Yoke	N	3	5-213X*	5-1330-1X* 5-1330X**	15-213X
	K1500	Extended Cab; Auto Trans; 2 Piece Driveshaft; w/ Aluminum Yoke	N	4,5		5-3614X	
	K1500	Extended Cab; Auto Trans; 2 Piece Driveshaft; w/ Steel Yoke	N	4,5	5-213X*	5-1330-1X* 5-1330X**	15-213X
	K1500	Standard Cab; Auto Trans; 2 Piece Driveshaft	N	4,6	5-3147X*	5-795X**	15-3147X
	K1500	Standard Trans; 2 Piece Driveshaft; w/ Aluminum Yoke	N	4,6		5-3615X	
	K1500	Standard Trans; 2 Piece Driveshaft; w/ Steel Shaft	N	4,6	5-178X*	5-1350-1X* 5-1350X**	15-178X
	K1500	Extended Cab; Standard Trans; 2 Piece Driveshaft; w/ Aluminum Yoke	N	5		5-3615X	
	K1500	Extended Cab; Standard Trans; 2 Piece Driveshaft; w/ Steel Shaft	N	5	5-178X*	5-1350-1X* 5-1350X**	15-178X
	K1500	Extended Cab; Auto Trans; 2 Piece Driveshaft	N	6	5-212X*	5-793X**	
1989-1991	K1500	Extended Cab; Standard Trans; 2 Piece Driveshaft	N	2	5-212X*	5-793X**	
	K1500	Extended Cab; Auto Trans; 2 Piece Driveshaft	N	2,3	5-3147X*	5-795X**	15-3147X
1992	K1500	Extended Cab; Exc. F44 HD Chassis; 2 Piece Driveshaft; 1.062" Cup Dia.; w/ Aluminum Yoke	N	4,5		5-3614X	
	K1500	Extended Cab; Exc. F44 HD Chassis; 2 Piece Driveshaft; 1.062" Cup Dia.; w/ Steel Yoke	N	4,5	5-213X*	5-1330-1X* 5-1330X**	15-213X
	K1500	Extended Cab; w/ F44 HD Chassis; 2 Piece Driveshaft; 1.188" Cup Dia.; w/ Aluminum Yoke	N	4,5		5-3615X	
	K1500	Extended Cab; w/ F44 HD Chassis; 2 Piece Driveshaft; 1.188" Cup Dia.; w/ Steel Shaft	N	4,5	5-178X*	5-1350-1X* 5-1350X**	15-178X
1993	K1500	Extended Cab; Auto Trans; Exc. F44 HD Chassis; 2 Piece Driveshaft; 1.062" Cup Dia.; w/ Steel Yoke	N	4	5-213X*	5-1330-1X* 5-1330X**	15-213X
	K1500	Extended Cab; Standard Trans; MT8; w/ F44 HD Chassis; 2 Piece Driveshaft; 1.062" Cup Dia.; w/ Aluminum Yoke	N	4		5-3614X	

\* GREASEABLE \*\* NON-GREASEABLE



Chevrolet (Cont'd)

Year	Model	Description	Fig.	Location	Spicer Part #	SPL Part #	SVL Part #
1993	K1500	Extended Cab; Standard Trans; MT8; w/ F44 HD Chassis; 2 Piece Driveshaft; 1.125" Cup Dia.	N	4	5-178X*	5-1350-1X* 5-1350X**	15-178X
	K1500	Extended Cab; Standard Trans; MT8; w/ F44 HD Chassis; 2 Piece Driveshaft; 1.188" Cup Dia.; w/ Aluminum Yoke	N	4,6		5-3615X	
	K1500	Extended Cab; Standard Trans; MT8; w/ F44 HD Chassis; 2 Piece Driveshaft; 1.188" Cup Dia.; w/ Steel Shaft	N	4,6	5-178X*	5-1350-1X* 5-1350X**	15-178X
	K1500	Standard Cab; Auto Trans; 2 Piece Driveshaft; 1.125" Cup Dia.	N	4,6	5-3147X*	5-795X**	15-3147X
	K1500	Standard Cab; Standard Trans; MT8; 2 Piece Driveshaft; 1.188" Cup Dia.; w/ Aluminum Yoke	N	4,6		5-3615X	
	K1500	Standard Cab; Standard Trans; MT8; 2 Piece Driveshaft; 1.188" Cup Dia.; w/ Steel Shaft	N	4,6	5-178X*	5-1350-1X* 5-1350X**	15-178X
	K1500	Extended Cab; Exc. F44 HD Chassis; 2 Piece Driveshaft; 1.062" Cup Dia.; w/ Aluminum Yoke	N	5		5-3614X	
	K1500	Extended Cab; Exc. F44 HD Chassis; 2 Piece Driveshaft; 1.062" Cup Dia.; w/ Steel Yoke	N	5	5-213X*	5-1330-1X* 5-1330X**	15-213X
	K1500	Extended Cab; w/ F44 HD Chassis; 2 Piece Driveshaft; 1.188" Cup Dia.; w/ Aluminum Yoke	N	5		5-3615X	
	K1500	Extended Cab; w/ F44 HD Chassis; 2 Piece Driveshaft; 1.188" Cup Dia.; w/ Steel Shaft	N	5	5-178X*	5-1350-1X* 5-1350X**	15-178X
	K1500	Extended Cab; Auto Trans; Exc. F44 HD Chassis; 2 Piece Driveshaft	N	6	5-212X*	5-793X**	
	1994	K1500	Extended Cab; 2 Piece Driveshaft; 1.062" Cup Dia.; w/ Aluminum Yoke	N	4		5-3614X
K1500		Extended Cab; 2 Piece Driveshaft; 1.062" Cup Dia.; w/ Steel Yoke	N	4	5-213X*	5-1330-1X* 5-1330X**	15-213X
K1500		Extended Cab; 2 Piece Driveshaft; 1.188" Cup Dia.; w/ Aluminum Yoke	N	4		5-3615X	
K1500		Extended Cab; 2 Piece Driveshaft; 1.188" Cup Dia.; w/ Steel Shaft	N	4	5-178X*	5-1350-1X* 5-1350X**	15-178X
K1500		Standard Cab; w/ F44 HD Chassis; 2 Piece Driveshaft; 1.125" Cup Dia.; w/ Steel Shaft	N	6	5-3147X*	5-795X**	15-3147X
K1500		Standard Cab; w/ F44 HD Chassis; 2 Piece Driveshaft; 1.188" Cup Dia.; w/ Aluminum Yoke	N	6		5-3615X	
K1500		Standard Cab; w/ F44 HD Chassis; 2 Piece Driveshaft; 1.188" Cup Dia.; w/ Steel Shaft	N	6	5-178X*	5-1350-1X* 5-1350X**	15-178X
1994-1995	K1500	Standard Cab; 2 Piece Driveshaft; 1.125" Cup Dia.	N	4	5-3147X*	5-795X**	15-3147X
	K1500	Standard Cab; 2 Piece Driveshaft; 1.188" Cup Dia.; w/ Aluminum Yoke	N	4		5-3615X	
	K1500	Standard Cab; 2 Piece Driveshaft; 1.188" Cup Dia.; w/ Steel Shaft	N	4	5-178X*	5-1350-1X* 5-1350X**	15-178X
	K1500	2 Piece Driveshaft; 1.062" Cup Dia.; w/ Aluminum Yoke	N	5		5-3614X	
	K1500	2 Piece Driveshaft; 1.062" Cup Dia.; w/ Steel Yoke	N	5	5-213X*	5-1330-1X* 5-1330X**	15-213X
	K1500	2 Piece Driveshaft; 1.188" Cup Dia.; w/ Aluminum Yoke	N	5		5-3615X	

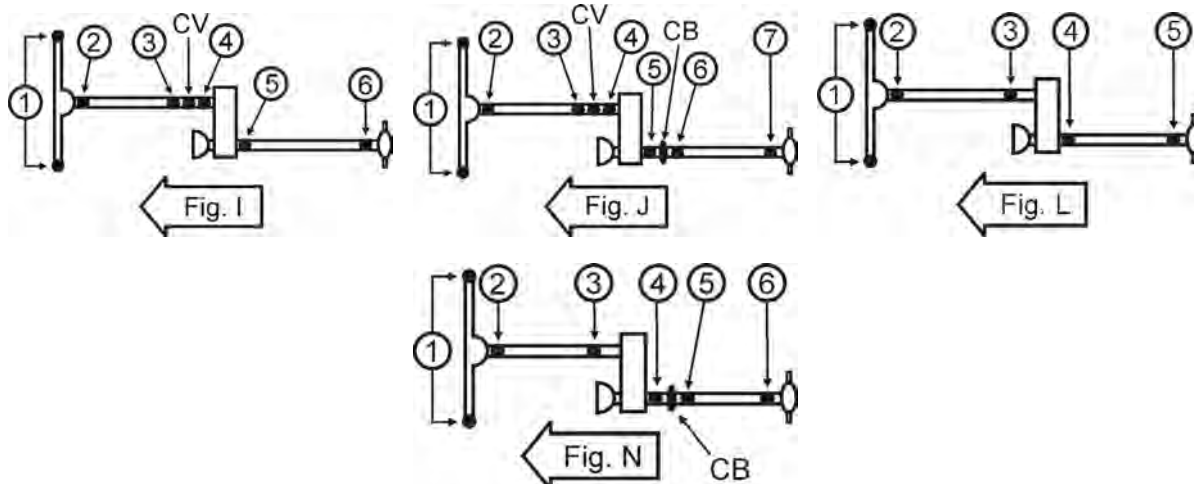
\* GREASEABLE \*\* NON-GREASEABLE

4  
W  
D

**Chevrolet (Cont'd)**

Year	Model	Description	Fig.	Location	Spicer Part #	SPL Part #	SVL Part #
1994-1995	K1500	2 Piece Driveshaft; 1.188" Cup Dia.; w/ Steel Shaft	N	5	5-178X*	5-1350-1X* 5-1350X**	15-178X
1994-1996	K1500	Diesel; 2 Piece Driveshaft	N	2	5-212X*	5-793X**	
	K1500	Gas; 2 Piece Driveshaft	N	2,3	5-3147X*	5-795X**	15-3147X
	K1500	Diesel; 2 Piece Driveshaft; w/ Aluminum Yoke	N	3		5-3614X	
	K1500	Diesel; 2 Piece Driveshaft; w/ Steel Yoke	N	3	5-213X*	5-1330-1X* 5-1330X**	15-213X
1995	K1500	Extended Cab; Exc. F44 HD Chassis; 2 Piece Driveshaft; 1.062" Cup Dia.; w/ Aluminum Yoke	N	4		5-3614X	
	K1500	Extended Cab; Exc. F44 HD Chassis; 2 Piece Driveshaft; 1.062" Cup Dia.; w/ Steel Yoke	N	4	5-213X*	5-1330-1X* 5-1330X**	15-213X
	K1500	Extended Cab; w/ F44 HD Chassis; 2 Piece Driveshaft; 1.188" Cup Dia.; w/ Aluminum Yoke	N	4,6		5-3615X	
	K1500	Extended Cab; w/ F44 HD Chassis; 2 Piece Driveshaft; 1.188" Cup Dia.; w/ Steel Shaft	N	4,6	5-178X*	5-1350-1X* 5-1350X**	15-178X
	K1500	Extended Cab; Exc. F44 HD Chassis; 2 Piece Driveshaft; w/ Steel Yoke	N	6	5-212X*	5-793X**	
	K1500	Standard Cab; 4L60-E; 4L80-E, NV3500-MG5; 2 Piece Driveshaft; 1.125" Cup Dia.	N	6	5-3147X*	5-795X**	15-3147X
	K1500	Standard Cab; NV4500/MW3; 2 Piece Driveshaft; 1.188" Cup Dia.; w/ Aluminum Yoke	N	6		5-3615X	
	K1500	Standard Cab; NV4500/MW3; 2 Piece Driveshaft; 1.188" Cup Dia.; w/ Steel Shaft	N	6	5-178X*	5-1350-1X* 5-1350X**	15-178X
1995-1998	K1500	Extended Cab; 78.0" Bed; Exc. F44 HD Chassis; 1 Piece Driveshaft	L	4		5-3614X	
	K1500	Extended Cab; 78.0" Bed; w/ F44 HD Chassis; 1 Piece Driveshaft	L	4,5		5-3615X	
	K1500	Regular Cab; 1 Piece Driveshaft	L	4,5	5-3147X*	5-795X**	15-3147X
	K1500	Extended Cab; 78.0" Bed; Exc. F44 HD Chassis; 1 Piece Driveshaft	L	5	5-212X*	5-793X**	
1996	K1500	2 Piece Driveshaft; 1.062" Cup Dia.; w/ Aluminum Yoke	N	4		5-3614X	
	K1500	2 Piece Driveshaft; 1.062" Cup Dia.; w/ Steel Yoke	N	4	5-213X*	5-1330-1X* 5-1330X**	15-213X
	K1500	2 Piece Driveshaft; 1.188" Cup Dia.; w/ Aluminum Yoke	N	4		5-3615X	
	K1500	2 Piece Driveshaft; 1.188" Cup Dia.; w/ Steel Shaft	N	4	5-178X*	5-1350-1X* 5-1350X**	15-178X
	K1500	2 Piece Driveshaft; w/ Aluminum Yoke	N	5		5-3615X	
	K1500	2 Piece Driveshaft; w/ Steel Shaft	N	5	5-178X*	5-1350-1X* 5-1350X**	15-178X
	K1500	Standard Cab; 2 Piece Driveshaft	N	6	5-3147X*	5-795X**	15-3147X
1996-1998	K1500	2 Piece Driveshaft; 1.125" Cup Dia.	N	4	5-3147X*	5-795X**	15-3147X
1997	K1500	Exc. F44 HD Chassis; 2 Piece Driveshaft	N	6	5-212X*	5-793X**	
	K1500	w/ F44 HD Chassis; 2 Piece Driveshaft; 1.188" Cup Dia.; w/ Aluminum Yoke	N	6		5-3615X	
	K1500	w/ F44 HD Chassis; 2 Piece Driveshaft; 1.188" Cup Dia.; w/ Steel Shaft	N	6	5-178X*	5-1350-1X* 5-1350X**	15-178X
1997-1998	K1500	2 Piece Driveshaft	N	2,3	5-3147X*	5-795X**	15-3147X
	K1500	2 Piece Driveshaft; 1.062" Cup Dia.; w/ Aluminum Yoke	N	4,5		5-3614X	
	K1500	2 Piece Driveshaft; 1.062" Cup Dia.; w/ Steel Yoke	N	4,5	5-213X*	5-1330-1X* 5-1330X**	15-213X
	K1500	2 Piece Driveshaft; 1.188" Cup Dia.; w/ Aluminum Yoke	N	4,5		5-3615X	
	K1500	2 Piece Driveshaft; 1.188" Cup Dia.; w/ Steel Shaft	N	4,5	5-178X*	5-1350-1X* 5-1350X**	15-178X
1998	K1500	Extended Cab; Exc. F44 HD Chassis; 2 Piece Driveshaft	N	6	5-212X*	5-793X**	

\* GREASEABLE \*\* NON-GREASEABLE



Chevrolet (Cont'd)

Year	Model	Description	Fig.	Location	Spicer Part #	SPL Part #	SVL Part #	
1998	K1500	Extended Cab; w/ F44 HD Chassis; 2 Piece Driveshaft; 1.188" Cup Dia.; w/ Aluminum Yoke	N	6			5-3615X	
	K1500	Extended Cab; w/ F44 HD Chassis; 2 Piece Driveshaft; 1.188" Cup Dia.; w/ Steel Shaft	N	6	5-178X*	5-1350-1X* 5-1350X**	15-178X	
1999	K1500	Extended Cab; 78.0" Bed; 1 Piece Driveshaft	L	2,3	5-3147X*	5-795X**	15-3147X	
	K1500	Extended Cab; 78.0" Bed; 1 Piece Driveshaft; w/ Aluminum Yoke	L	4		5-3614X		
	K1500	Extended Cab; 78.0" Bed; 1 Piece Driveshaft; w/ Steel Yoke	L	4	5-213X*	5-1330-1X* 5-1330X**	15-213X	
	K1500	Extended Cab; 78.0" Bed; 1 Piece Driveshaft	L	5	5-212X*	5-793X**		
1992-1994	K1500 Suburban		L	2,3,4,5	5-3147X*	5-795X**	15-3147X	
1995-1996	K1500 Suburban	Diesel	L	2	5-212X*	5-793X**		
	K1500 Suburban	Gas	L	2,3	5-3147X*	5-795X**	15-3147X	
	K1500 Suburban	Diesel	L	3	5-213X*	5-1330-1X* 5-1330X**	15-213X	
	K1500 Suburban		L	4,5	5-3147X*	5-795X**	15-3147X	
1997-1999	K1500 Suburban	1 Piece Driveshaft	L	2,3	5-3147X*	5-795X**	15-3147X	
	K1500 Suburban	1 Piece Driveshaft; w/ Inside Snap Rings	L	4,5	5-3147X*	5-795X**	15-3147X	
	K1500 Suburban	1 Piece Driveshaft; w/ Outside Snap Rings	L	4,5	5-178X*	5-1350-1X* 5-1350X**	15-178X	
1975-1976	K20	1 Piece Driveshaft	I	2,3,4	5-153X*	5-1310-1X* 5-1310X**	15-153X	
	K20	1 Piece Driveshaft; Full Time Transfer Case	I	5,6	5-153X*	5-1310-1X* 5-1310X**	15-153X	
	K20	1 Piece Driveshaft; Part Time Transfer Case	I	5,6	5-178X*	5-1350-1X* 5-1350X**	15-178X	
	K20	2 Piece Driveshaft	J	2,3,4	5-153X*	5-1310-1X* 5-1310X**	15-153X	
	K20	2 Piece Driveshaft; Full Time Transfer Case	J	5,6,7	5-153X*	5-1310-1X* 5-1310X**	15-153X	
	K20	2 Piece Driveshaft; Part Time Transfer Case	J	5,6,7	5-178X*	5-1350-1X* 5-1350X**	15-178X	
1975-1981	K20	1 Piece Driveshaft	I	1	5-3226X	5-760X**		
	K20	2 Piece Driveshaft	J	1	5-3226X	5-760X**		
1977-1978	K20	1 Piece Driveshaft; w/ Inside Snap Rings	I	2,3,4	5-3147X*	5-795X**	15-3147X	
	K20	1 Piece Driveshaft; w/ Outside Snap Rings	I	2,3,4	5-153X*	5-1310-1X* 5-1310X**	15-153X	
	K20	w/ Inside Snap Rings	I	CV	211009X			
	K20	2 Piece Driveshaft; w/ Inside Snap Rings	J	2,3,4	5-3147X*	5-795X**	15-3147X	
	K20	2 Piece Driveshaft; w/ Outside Snap Rings	J	2,3,4	5-153X*	5-1310-1X* 5-1310X**	15-153X	

\* GREASEABLE \*\* NON-GREASEABLE

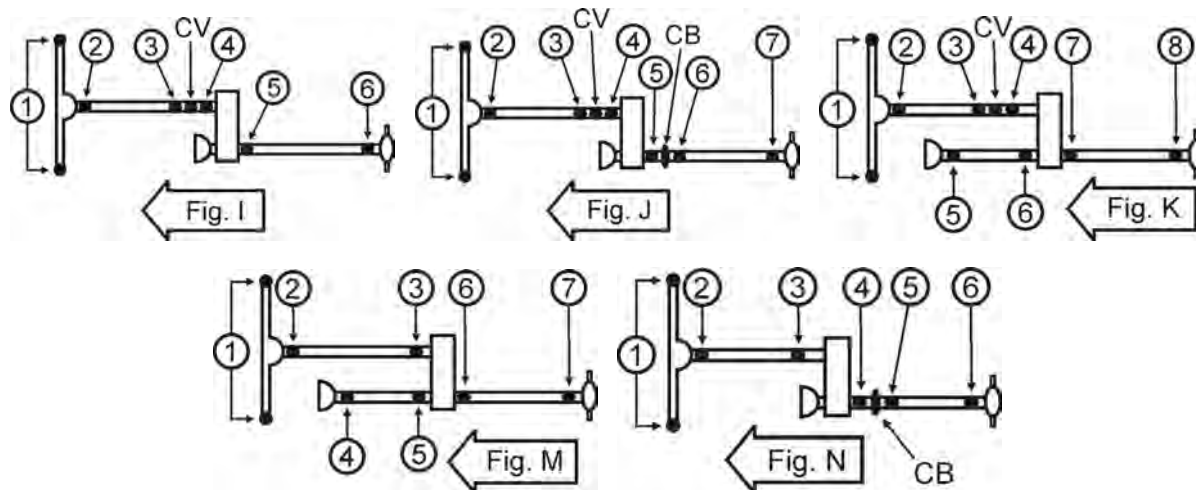
4  
W  
D

**Chevrolet (Cont'd)**

Year	Model	Description	Fig.	Location	Spicer Part #	SPL Part #	SVL Part #
1977-1981	K20	1 Piece Driveshaft	I	5	5-153X*	5-1310-1X* 5-1310X**	15-153X
	K20	1 Piece Driveshaft	I	6	5-178X*	5-1350-1X* 5-1350X**	15-178X
	K20	2 Piece Driveshaft	J	5,6,7	5-178X*	5-1350-1X* 5-1350X**	15-178X
1979-1981	K20	1 Piece Driveshaft	I	2	5-153X*	5-1310-1X* 5-1310X**	15-153X
	K20	1 Piece Driveshaft	I	3,4	5-3147X*	5-795X**	15-3147X
	K20	2 Piece Driveshaft	J	2	5-153X*	5-1310-1X* 5-1310X**	15-153X
	K20	2 Piece Driveshaft	J	3,4	5-3147X*	5-795X**	15-3147X
1979-1986	K20		I	CV	211009X		
1982-1986	K20		I	1	5-3226X	5-760X**	
	K20		I	2	5-153X*	5-1310-1X* 5-1310X**	15-153X
	K20		I	3,4	5-3147X*	5-795X**	15-3147X
	K20		I	5,6	5-178X*	5-1350-1X* 5-1350X**	15-178X
1960	K20 Pickup		M	1	5-260X**		15-260X
	K20 Pickup	w/ Timken T-221 Trans Case	M	2,3	5-153X*	5-1310-1X* 5-1310X**	15-153X
	K20 Pickup	w/ Timken T-221 Trans Case	M	4	5-178X*	5-1350-1X* 5-1350X**	15-178X
	K20 Pickup	w/ Timken T-221 Trans Case	M	5	5-153X*	5-1310-1X* 5-1310X**	15-153X
	K20 Pickup	w/ Timken T-221 Trans Case	M	6,7	5-178X*	5-1350-1X* 5-1350X**	15-178X
1961-1966	K20 Pickup		K	1	5-260X**		15-260X
	K20 Pickup		K	2,3,4,6	5-153X*	5-1310-1X* 5-1310X**	15-153X
	K20 Pickup	4 Speed	K	5,7,8	5-178X*	5-1350-1X* 5-1350X**	15-178X
	K20 Pickup	Standard Trans; 3 Speed	K	5,7,8	5-153X*	5-1310-1X* 5-1310X**	15-153X
1967-1972	K20 Pickup		I	1	5-260X**		15-260X
	K20 Pickup		I	2,3,4	5-153X*	5-1310-1X* 5-1310X**	15-153X
	K20 Pickup	1.062" Cup Dia.	I	5,6	5-153X*	5-1310-1X* 5-1310X**	15-153X
	K20 Pickup	1.188" Cup Dia.	I	5,6	5-178X*	5-1350-1X* 5-1350X**	15-178X
1973-1974	K20 Pickup		I	1	5-3226X	5-760X**	
	K20 Pickup		I	2,3,4,5,6	5-153X*	5-1310-1X* 5-1310X**	15-153X
1968-1972	K20 Suburban		I	1	5-260X**		15-260X
	K20 Suburban	1.062" Cup Dia.	I	5,6	5-153X*	5-1310-1X* 5-1310X**	15-153X
	K20 Suburban	1.188" Cup Dia.	I	5,6	5-178X*	5-1350-1X* 5-1350X**	15-178X
1968-1974	K20 Suburban		I	2,3,4	5-153X*	5-1310-1X* 5-1310X**	15-153X
1975-1976	K20 Suburban	1 Piece Driveshaft	I	2,3,4	5-153X*	5-1310-1X* 5-1310X**	15-153X
	K20 Suburban	1 Piece Driveshaft; Full Time Transfer Case	I	5,6	5-153X*	5-1310-1X* 5-1310X**	15-153X
	K20 Suburban	1 Piece Driveshaft; Part Time Transfer Case	I	5,6	5-178X*	5-1350-1X* 5-1350X**	15-178X
	K20 Suburban	2 Piece Driveshaft	J	2,3,4	5-153X*	5-1310-1X* 5-1310X**	15-153X
	K20 Suburban	2 Piece Driveshaft; Full Time Transfer Case	J	5,6,7	5-153X*	5-1310-1X* 5-1310X**	15-153X
	K20 Suburban	2 Piece Driveshaft; Part Time Transfer Case	J	5,6,7	5-178X*	5-1350-1X* 5-1350X**	15-178X

\* GREASEABLE \*\* NON-GREASEABLE





Chevrolet (Cont'd)

Year	Model	Description	Fig.	Location	Spicer Part #	SPL Part #	SVL Part #
1975-1981	K20 Suburban	1 Piece Driveshaft	I	1	5-3226X	5-760X**	
	K20 Suburban	2 Piece Driveshaft	J	1	5-3226X	5-760X**	
1977-1978	K20 Suburban	1 Piece Driveshaft; w/ Inside Snap Rings	I	2,3,4	5-3147X*	5-795X**	15-3147X
	K20 Suburban	1 Piece Driveshaft; w/ Outside Snap Rings	I	2,3,4	5-153X*	5-1310-1X* 5-1310X**	15-153X
	K20 Suburban	2 Piece Driveshaft; w/ Inside Snap Rings	J	2,3,4	5-3147X*	5-795X**	15-3147X
	K20 Suburban	2 Piece Driveshaft; w/ Outside Snap Rings	J	2,3,4	5-153X*	5-1310-1X* 5-1310X**	15-153X
1977-1981	K20 Suburban	1 Piece Driveshaft	I	5	5-153X*	5-1310-1X* 5-1310X**	15-153X
	K20 Suburban	1 Piece Driveshaft	I	6	5-178X*	5-1350-1X* 5-1350X**	15-178X
	K20 Suburban	2 Piece Driveshaft	J	5,6,7	5-178X*	5-1350-1X* 5-1350X**	15-178X
1979-1981	K20 Suburban	1 Piece Driveshaft	I	2	5-153X*	5-1310-1X* 5-1310X**	15-153X
	K20 Suburban	1 Piece Driveshaft	I	3,4	5-3147X*	5-795X**	15-3147X
	K20 Suburban	2 Piece Driveshaft	J	2	5-153X*	5-1310-1X* 5-1310X**	15-153X
	K20 Suburban	2 Piece Driveshaft	J	3,4	5-3147X*	5-795X**	15-3147X
1982-1986	K20 Suburban		I	1	5-3226X	5-760X**	
	K20 Suburban		I	2	5-153X*	5-1310-1X* 5-1310X**	15-153X
	K20 Suburban		I	3,4	5-3147X*	5-795X**	15-3147X
	K20 Suburban		I	5,6	5-178X*	5-1350-1X* 5-1350X**	15-178X
	K20 Suburban		I	2	5-212X*	5-793X**	
1988-1991	K2500	Standard Trans	N	2	5-212X*	5-793X**	
	K2500	Auto Trans	N	2,3	5-3147X*	5-795X**	15-3147X
	K2500	Standard Trans; w/ Aluminum Yoke	N	3		5-3614X	
	K2500	Standard Trans; w/ Steel Yoke	N	3	5-213X*	5-1330-1X* 5-1330X**	15-213X
	K2500	Extended Cab; Standard Cab; w/ Aluminum Yoke	N	4,6		5-3615X	
	K2500	Extended Cab; Standard Cab; w/ Steel Yoke	N	4,6	5-178X*	5-1350-1X* 5-1350X**	15-178X
	K2500	Extended Cab; w/ Aluminum Yoke	N	5		5-3615X	
	K2500	Extended Cab; w/ Steel Yoke	N	5	5-178X*	5-1350-1X* 5-1350X**	15-178X
	K2500		N	2,3	5-3147X*	5-795X**	15-3147X
1992-1999	K2500	w/ Aluminum Yoke	N	4,5,6		5-3615X	
	K2500	w/ Steel Yoke	N	4,5,6	5-178X*	5-1350-1X* 5-1350X**	15-178X

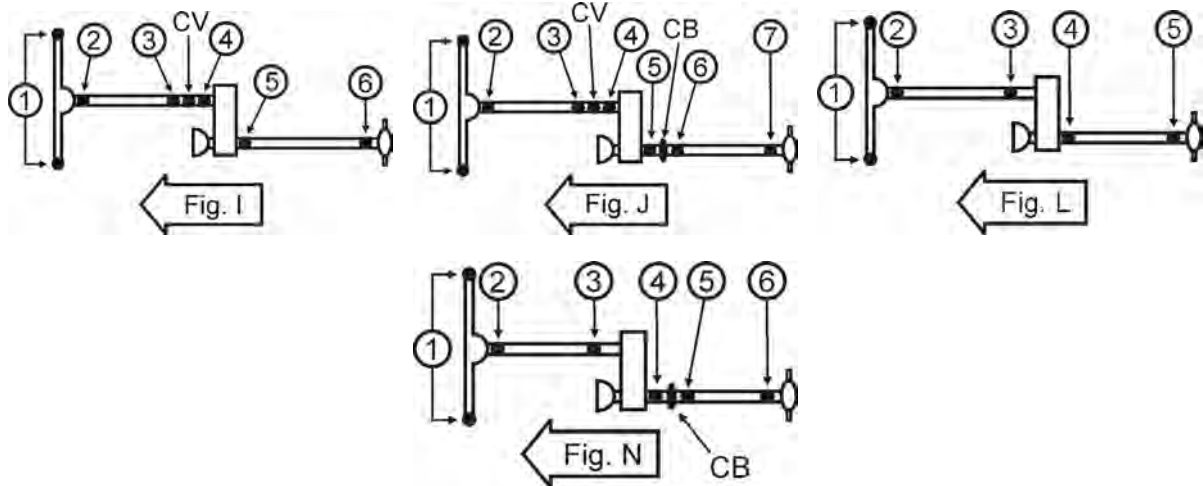
\* GREASEABLE \*\* NON-GREASEABLE

4  
W  
D

**Chevrolet (Cont'd)**

Year	Model	Description	Fig.	Location	Spicer Part #	SPL Part #	SVL Part #
2000	K2500	1 Piece Driveshaft	L	2,3	5-3147X*	5-795X**	15-3147X
	K2500	V8 5.7L; 1 Piece Driveshaft	L	4,5	5-178X*	5-1350-1X* 5-1350X**	15-178X
	K2500	V8 6.5L; 1 Piece Driveshaft	L	4,5	5-160X*	5-1410-1X* 5-1410X**	15-160X
	K2500	V8 7.4L; 1 Piece Driveshaft	L	4,5	5-160X*	5-1410-1X* 5-1410X**	15-160X
1992-1999	K2500 Suburban		L	2,3	5-3147X*	5-795X**	15-3147X
	K2500 Suburban	w/ Aluminum Yoke	L	4,5		5-3615X	
	K2500 Suburban	w/ Steel Yoke	L	4,5	5-178X*	5-1350-1X* 5-1350X**	15-178X
1977-1979	K30		J	2,3,4	5-153X*	5-1310-1X* 5-1310X**	15-153X
1977-1986	K30		J	1		SPL55-3X** SPL55-4X*	
1979	K30	w/ 3.500" O.D. Yoke	J	5	5-153X*	5-1310-1X* 5-1310X**	15-153X
	K30	w/ 4.000" O.D. Yoke	J	5	5-178X*	5-1350-1X* 5-1350X**	15-178X
	K30		J	6,7	5-178X*	5-1350-1X* 5-1350X**	15-178X
1980-1986	K30	1 Piece Driveshaft	I	CV	211009X		
	K30		J	2	5-153X*	5-1310-1X* 5-1310X**	15-153X
	K30		J	3,4	5-3147X*	5-795X**	15-3147X
	K30		J	5,6,7	5-178X*	5-1350-1X* 5-1350X**	15-178X
	K30	2 Piece Driveshaft	J	CV	211009X		
1988-1989	K3500	1 Piece Driveshaft; w/ Outside Snap Rings	L	2	5-212X*	5-793X**	
	K3500	1 Piece Driveshaft; w/ Inside Snap Rings	L	2,3	5-3147X*	5-795X**	15-3147X
	K3500	1 Piece Driveshaft; w/ Outside Snap Rings; w/ Aluminum Yoke	L	3		5-3614X	
	K3500	1 Piece Driveshaft; w/ Outside Snap Rings; w/ Steel Yoke	L	3	5-213X*	5-1330-1X* 5-1330X**	15-213X
	K3500	1 Piece Driveshaft; w/ Aluminum Shaft	L	4,5		5-3615X	
	K3500	1 Piece Driveshaft; w/ Steel Shaft	L	4,5	5-178X*	5-1350-1X* 5-1350X**	15-178X
	K3500	2 Piece Driveshaft; w/ Outside Snap Rings	N	2	5-212X*	5-793X**	
	K3500	2 Piece Driveshaft; w/ Inside Snap Rings	N	2,3	5-3147X*	5-795X**	15-3147X
	K3500	2 Piece Driveshaft; w/ Outside Snap Rings; w/ Aluminum Yoke	N	3		5-3614X	
	K3500	2 Piece Driveshaft; w/ Outside Snap Rings; w/ Steel Yoke	N	3	5-213X*	5-1330-1X* 5-1330X**	15-213X
	K3500	2 Piece Driveshaft; w/ Aluminum Shaft	N	4,5,6		5-3615X	
	K3500	2 Piece Driveshaft; w/ Steel Shaft	N	4,5,6	5-178X*	5-1350-1X* 5-1350X**	15-178X
	1990-1991	K3500	2 Door; Auto Trans; 1 Piece Driveshaft; w/ Dual Rear Wheels	L	2	5-3147X*	5-795X**
K3500		2 Door; Standard Trans; 1 Piece Driveshaft	L	2	5-3147X*	5-795X**	15-3147X
K3500		2 Door; Auto Trans; 1 Piece Driveshaft; w/ Single Rear Wheels	L	2,3	5-3147X*	5-795X**	15-3147X
K3500		2 Door; Auto Trans; 1 Piece Driveshaft; w/ Dual Rear Wheels; w/ Aluminum Yoke	L	3	5-3147X*	5-795X**	15-3147X
K3500		2 Door; Auto Trans; 1 Piece Driveshaft; w/ Dual Rear Wheels; w/ Steel Yoke	L	3	5-3147X*	5-795X**	15-3147X
K3500		2 Door; Standard Trans; 1 Piece Driveshaft; w/ Aluminum Yoke	L	3	5-3147X*	5-795X**	15-3147X
K3500		2 Door; Standard Trans; 1 Piece Driveshaft; w/ Steel Yoke	L	3	5-3147X*	5-795X**	15-3147X
K3500		2 Door; 1 Piece Driveshaft; w/ Aluminum Shaft	L	4,5		5-3615X	
K3500		2 Door; 1 Piece Driveshaft; w/ Steel Shaft	L	4,5	5-178X*	5-1350-1X* 5-1350X**	15-178X

\* GREASEABLE \*\* NON-GREASEABLE



**Chevrolet (Cont'd)**

Year	Model	Description	Fig.	Location	Spicer Part #	SPL Part #	SVL Part #
1990-1991	K3500	2 Door; Auto Trans; 2 Piece Driveshaft; w/ Dual Rear Wheels	N	2	5-160X*	5-1410-1X* 5-1410X**	15-160X
	K3500	2 Door; Standard Trans; 2 Piece Driveshaft	N	2	5-160X*	5-1410-1X* 5-1410X**	15-160X
	K3500	2 Door; Auto Trans; 2 Piece Driveshaft; w/ Single Rear Wheels	N	2,3	5-3147X*	5-795X**	15-3147X
	K3500	2 Door; Auto Trans; 2 Piece Driveshaft; w/ Dual Rear Wheels; w/ Aluminum Yoke	N	3		5-3614X	
	K3500	2 Door; Auto Trans; 2 Piece Driveshaft; w/ Dual Rear Wheels; w/ Steel Yoke	N	3	5-213X*	5-1330-1X* 5-1330X**	15-213X
	K3500	2 Door; Standard Trans; 2 Piece Driveshaft; w/ Aluminum Yoke	N	3		5-3614X	
	K3500	2 Door; Standard Trans; 2 Piece Driveshaft; w/ Steel Yoke	N	3	5-213X*	5-1330-1X* 5-1330X**	15-213X
	K3500	2 Door; 2 Piece Driveshaft; w/ Aluminum Shaft	N	4,5,6		5-3615X	
	K3500	2 Door; 2 Piece Driveshaft; w/ Steel Shaft	N	4,5,6	5-178X*	5-1350-1X* 5-1350X**	15-178X
1992-1996	K3500	1 Piece Driveshaft	L	2,3	5-3147X*	5-795X**	15-3147X
	K3500	1 Piece Driveshaft; w/ Aluminum Yoke	L	4,5		5-3615X	
	K3500	1 Piece Driveshaft; w/ Steel Yoke	L	4,5	5-178X*	5-1350-1X* 5-1350X**	15-178X
	K3500	2 Piece Driveshaft	N	2,3	5-3147X*	5-795X**	15-3147X
	K3500	2 Piece Driveshaft; w/ Aluminum Yoke	N	4,5,6		5-3615X	
	K3500	2 Piece Driveshaft; w/ Steel Yoke	N	4,5,6	5-178X*	5-1350-1X* 5-1350X**	15-178X
1997-1999	K3500		N	2,3	5-3147X*	5-795X**	15-3147X
	K3500	Cab & Chassis	N	4,5,6	5-160X*	5-1410-1X* 5-1410X**	15-160X
	K3500	Crew Cab; Extended Cab; Standard Cab; w/ Aluminum Yoke	N	4,6		5-3615X	
	K3500	Crew Cab; Extended Cab; Standard Cab; w/ Steel Yoke	N	4,6	5-178X*	5-1350-1X* 5-1350X**	15-178X
	K3500	Crew Cab; Extended Cab; w/ Aluminum Yoke	N	5		5-3615X	
	K3500	Crew Cab; Extended Cab; w/ Steel Yoke	N	5	5-178X*	5-1350-1X* 5-1350X**	15-178X
2000	K3500	V8 5.7L; 1 Piece Driveshaft	L	2,3	5-3147X*	5-795X**	15-3147X
	K3500	V8 6.5L; 1 Piece Driveshaft	L	2,3	5-3147X*	5-795X**	15-3147X
	K3500	V8 7.4L; 1 Piece Driveshaft	L	2,3	5-3147X*	5-795X**	15-3147X
	K3500	V8 5.7L; 1 Piece Driveshaft	L	4,5	5-178X*	5-1350-1X* 5-1350X**	15-178X

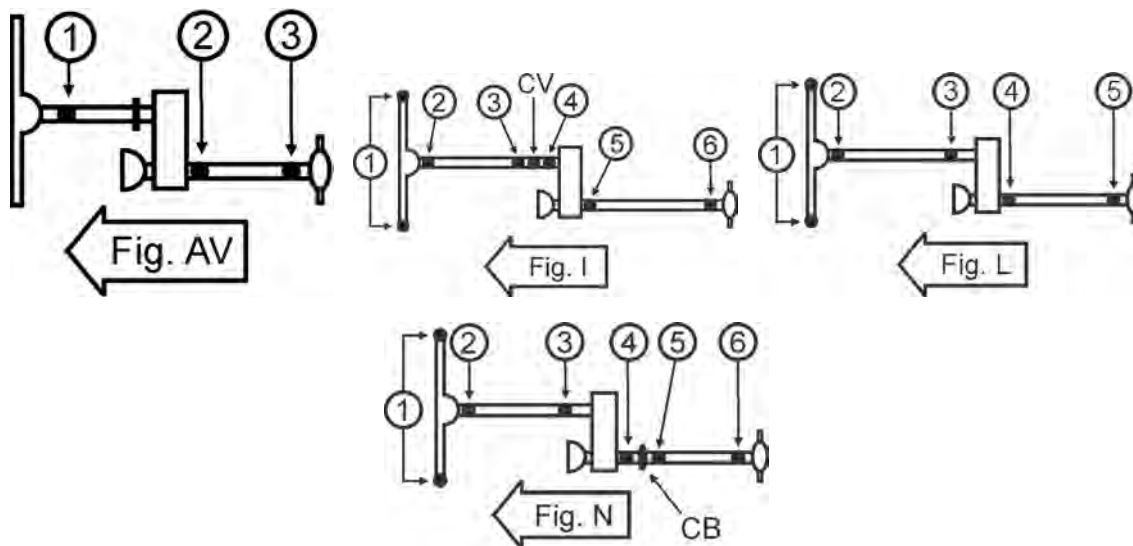
\* GREASEABLE \*\* NON-GREASEABLE

4  
W  
D

**Chevrolet (Cont'd)**

Year	Model	Description	Fig.	Location	Spicer Part #	SPL Part #	SVL Part #
2000	K3500	V8 6.5L; 1 Piece Driveshaft	L	4,5	5-160X*	5-1410-1X* 5-1410X**	15-160X
	K3500	V8 7.4L; 1 Piece Driveshaft	L	4,5	5-160X*	5-1410-1X* 5-1410X**	15-160X
1975-1981	K5 Blazer		I	5,6	5-153X*	5-1310-1X* 5-1310X**	15-153X
1975-1986	K5 Blazer		I	1	5-3226X	5-760X**	
	K5 Blazer		I	2	5-153X*	5-1310-1X* 5-1310X**	15-153X
	K5 Blazer		I	3,4	5-3147X*	5-795X**	15-3147X
1978	K5 Blazer	w/ Inside Snap Rings	I	CV	211009X		
1979-1986	K5 Blazer		I	CV	211009X		
1982-1986	K5 Blazer	Auto Trans	I	5,6	5-3147X*	5-795X**	15-3147X
	K5 Blazer	Standard Trans	I	5,6	5-178X*	5-1350-1X* 5-1350X**	15-178X
1979-1982	LUV		N	2	5-101X		
	LUV		N	3	5-1515X		
	LUV		N	4,5,6	5-101X		
1983-1987	S10		N	2,3	5-3213X		
1983-1994	S10		N	4,5,6	5-3147X*	5-795X**	15-3147X
1988-1993	S10	w/ Press-on Slip Yoke Seal	N	2	5-3249X		
	S10	w/ Screw-on Slip Yoke Seal	N	2,3	5-3213X		
	S10	w/ Press-on Slip Yoke Seal	N	3	5-153X*	5-1310-1X* 5-1310X**	15-153X
1994	S10		N	2	5-3213X		
1995-1996	S10	ZR2; w/ Aluminum Yoke	L	4		5-3614X	
	S10	ZR2; w/ Steel Yoke	L	4	5-213X*	5-1330-1X* 5-1330X**	15-213X
	S10	Exc. ZR2	L	4,5	5-3147X*	5-795X**	15-3147X
	S10	ZR2	L	5	5-212X*	5-793X**	
1995-1999	S10		L	2	5-3213X		
1997-1999	S10		L	4,5	5-3147X*	5-795X**	15-3147X
2000	S10	1 Piece Driveshaft; Electronic Controlled Transfer Case	AV	1	5-3213X		
	S10	1 Piece Driveshaft; Exc. Electronic Controlled Transfer Case	AV	1	5-3147X*	5-795X**	15-3147X
2000-2004	S10	1 Piece Driveshaft	AV	2,3	5-3147X*	5-795X**	15-3147X
2001-2004	S10	1 Piece Driveshaft	AV	1	5-3213X		
1983-1987	S10 Blazer		L	2,3	5-3213X		
1983-1994	S10 Blazer		L	4,5	5-3147X*	5-795X**	15-3147X
1988-1994	S10 Blazer	w/ Press-on Slip Yoke Seal	L	2	5-3249X		
	S10 Blazer	w/ Screw-on Slip Yoke Seal	L	2,3	5-3213X		
	S10 Blazer	w/ Press-on Slip Yoke Seal	L	3	5-153X*	5-1310-1X* 5-1310X**	15-153X
1999-2001	Silverado 1500	Extended Cab; Short Bed; 1 Piece Driveshaft	L	2,3	5-3147X*	5-795X**	15-3147X
	Silverado 1500	Extended Cab; Short Bed; 1 Piece Driveshaft	L	4	5-213X*	5-1330-1X* 5-1330X**	15-213X
	Silverado 1500	Extended Cab; Short Bed; 1 Piece Driveshaft	L	5	5-212X*	5-793X**	
	Silverado 1500	Extended Cab; Long Bed; 2 Piece Driveshaft	N	4,5	5-213X*	5-1330-1X* 5-1330X**	15-213X
	Silverado 1500	Extended Cab; Long Bed; 2 Piece Driveshaft	N	6	5-212X*	5-793X**	
1999-2004	Silverado 1500	Standard Cab; 1 Piece Driveshaft	L	2,3,4,5	5-3147X*	5-795X**	15-3147X
2002-2003	Silverado 1500	Extended Cab; Long Bed; 2 Piece Driveshaft; w/o Quadrateer	N	4,5	5-213X*	5-1330-1X* 5-1330X**	15-213X
	Silverado 1500	Extended Cab; Long Bed; 2 Piece Driveshaft; w/o Quadrateer	N	6	5-212X*	5-793X**	
2002-2005	Silverado 1500	Extended Cab; Standard Bed; 1 Piece Driveshaft; w/ Quadrateer	L	2,3	5-3147X*	5-795X**	15-3147X
	Silverado 1500	Extended Cab; Standard Bed; 1 Piece Driveshaft; w/o Quadrateer	L	2,3	5-3147X*	5-795X**	15-3147X
	Silverado 1500	Extended Cab; Standard Bed; 1 Piece Driveshaft; w/o Quadrateer	L	4	5-213X*	5-1330-1X* 5-1330X**	15-213X

\* GREASEABLE \*\* NON-GREASEABLE



Chevrolet (Cont'd)

Year	Model	Description	Fig.	Location	Spicer Part #	SPL Part #	SVL Part #
2002-2005	Silverado 1500	Extended Cab; Standard Bed; 1 Piece Driveshaft; w/ QuadraSteer	L	4,5	5-178X*	5-1350-1X* 5-1350X**	15-178X
	Silverado 1500	Extended Cab; Standard Bed; 1 Piece Driveshaft; w/o QuadraSteer	L	5	5-212X*	5-793X**	
2004	Silverado 1500	Crew Cab; 2 Piece Driveshaft	N	2,3	5-3147X*	5-795X**	15-3147X
	Silverado 1500	Extended Cab; Long Bed; 2 Piece Driveshaft; w/ QuadraSteer	N	2,3	5-3147X*	5-795X**	15-3147X
	Silverado 1500	Extended Cab; Long Bed; 2 Piece Driveshaft; w/ QuadraSteer	N	4,5	5-213X*	5-1330-1X* 5-1330X**	15-213X
	Silverado 1500	Crew Cab; 2 Piece Driveshaft	N	4,5,6	5-178X*	5-1350-1X* 5-1350X**	15-178X
	Silverado 1500	Extended Cab; Long Bed; 2 Piece Driveshaft; w/ QuadraSteer	N	6	5-212X*	5-793X**	
2005	Silverado 1500	Crew Cab; 1 Piece Driveshaft; w/ QuadraSteer	L	2,3	5-3147X*	5-795X**	15-3147X
	Silverado 1500	Crew Cab; 1 Piece Driveshaft; w/o QuadraSteer	L	2,3	5-3147X*	5-795X**	15-3147X
	Silverado 1500	Standard Cab; 1 Piece Driveshaft; w/ Inside Snap Rings	L	2,3,4,5	5-3147X*	5-795X**	15-3147X
	Silverado 1500	Crew Cab; 1 Piece Driveshaft; w/o QuadraSteer; w/ 1.062" Cup Dia.	L	4	5-213X*	5-1330-1X* 5-1330X**	15-213X
	Silverado 1500	Crew Cab; 1 Piece Driveshaft; w/ QuadraSteer	L	4,5	5-178X*	5-1350-1X* 5-1350X**	15-178X
	Silverado 1500	Crew Cab; 1 Piece Driveshaft; w/o QuadraSteer; w/ 1.188" Cup Dia.	L	4,5	5-178X*	5-1350-1X* 5-1350X**	15-178X
	Silverado 1500	Standard Cab; 1 Piece Driveshaft; w/ Outside Snap Rings	L	4,5	5-178X*	5-1350-1X* 5-1350X**	15-178X
	Silverado 1500	Crew Cab; 1 Piece Driveshaft; w/o QuadraSteer; w/ 1.062" & 1.125" Cup Dia.	L	5	5-212X*	5-793X**	
	Silverado 1500	Extended Cab; Long Bed; 2 Piece Driveshaft; w/o QuadraSteer	N	2,3	5-3147X*	5-795X**	15-3147X
	Silverado 1500	Extended Cab; Long Bed; 2 Piece Driveshaft; w/o QuadraSteer; w/ 1.062" Cup Dia.	N	4,5	5-213X*	5-1330-1X* 5-1330X**	15-213X
	Silverado 1500	Extended Cab; Long Bed; 2 Piece Driveshaft; w/o QuadraSteer; w/ 1.188" Cup Dia.	N	4,5,6	5-178X*	5-1350-1X* 5-1350X**	15-178X
	Silverado 1500	Extended Cab; Long Bed; 2 Piece Driveshaft; w/o QuadraSteer; w/ 1.062" & 1.125" Cup Dia.	N	6	5-212X*	5-793X**	
2006	Silverado 1500	Crew Cab; Regular Cab; 1 Piece Driveshaft	L	2,3	5-3147X*	5-795X**	15-3147X
	Silverado 1500	Extended Cab; Standard Bed; 1 Piece Driveshaft	L	2,3	5-3147X*	5-795X**	15-3147X

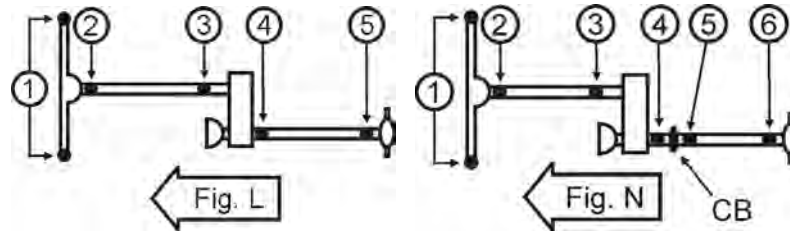
\* GREASEABLE \*\* NON-GREASEABLE

4  
W  
D

**Chevrolet (Cont'd)**

Year	Model	Description	Fig.	Location	Spicer Part #	SPL Part #	SVL Part #
2006	Silverado 1500	Crew Cab; Regular Cab; 1 Piece Driveshaft	L	4,5	5-178X*	5-1350-1X* 5-1350X**	15-178X
	Silverado 1500	Extended Cab; Standard Bed; 1 Piece Driveshaft	L	4,5	5-178X*	5-1350-1X* 5-1350X**	15-178X
	Silverado 1500	Extended Cab; Long Bed; 2 Piece Driveshaft	N	2,3	5-3147X*	5-795X**	15-3147X
	Silverado 1500	Extended Cab; Long Bed; 2 Piece Driveshaft	N	4,5,6	5-178X*	5-1350-1X* 5-1350X**	15-178X
2007-2013	Silverado 1500		L	2,3	5-3147X*	5-795X**	15-3147X
	Silverado 1500		L	4,5	5-3208X		
2014-2016	Silverado 1500	V8 5.3L; 1 Piece Driveshaft	L	2,3	5-3147X*	5-795X**	15-3147X
	Silverado 1500	V8 6.2L; 1 Piece Driveshaft	L	2,3	5-3147X*	5-795X**	15-3147X
	Silverado 1500	V8 5.3L; 1 Piece Driveshaft	L	4,5	5-160X*	5-1410-1X* 5-1410X**	15-160X
	Silverado 1500	V8 6.2L; 1 Piece Driveshaft	L	4,5	5-160X*	5-1410-1X* 5-1410X**	15-160X
2002-2003	Silverado 1500 HD		N	2,3	5-3147X*	5-795X**	15-3147X
	Silverado 1500 HD		N	4,5,6	5-178X*	5-1350-1X* 5-1350X**	15-178X
2006	Silverado 1500 HD		L	2,3	5-3147X*	5-795X**	15-3147X
	Silverado 1500 HD		L	4,5	5-178X*	5-1350-1X* 5-1350X**	15-178X
1999-2000	Silverado 2500	Auto Trans; w/ Aluminum Yoke	N	4,6		5-3615X	
	Silverado 2500	Auto Trans; w/ Steel Yoke	N	4,6	5-178X*	5-1350-1X* 5-1350X**	15-178X
	Silverado 2500	Standard Trans	N	4,6	5-160X*	5-1410-1X* 5-1410X**	15-160X
	Silverado 2500	Auto Trans; Extended Cab; 96.0" WB; w/ Aluminum Yoke	N	5		5-3615X	
	Silverado 2500	Auto Trans; Extended Cab; 96.0" WB; w/ Steel Yoke	N	5	5-178X*	5-1350-1X* 5-1350X**	15-178X
2001-2003	Silverado 2500		L	2,3	5-3147X*	5-795X**	15-3147X
	Silverado 2500		L	4,5	5-178X*	5-1350-1X* 5-1350X**	15-178X
2004	Silverado 2500		N	2,3	5-3147X*	5-795X**	15-3147X
	Silverado 2500	Crew Cab; Extended Cab; Standard Cab	N	4,6	5-178X*	5-1350-1X* 5-1350X**	15-178X
	Silverado 2500	Crew Cab	N	5	5-178X*	5-1350-1X* 5-1350X**	15-178X
2001-2006	Silverado 2500 HD	Exc. Cab & Chassis	N	2,3	5-3147X*	5-795X**	15-3147X
	Silverado 2500 HD	w/ Spicer 1410 Series Driveshaft; w/ Aluminum Yoke	N	4,5,6		5-3616X	
	Silverado 2500 HD	w/ Spicer 1410 Series Driveshaft; w/ Steel Yoke	N	4,5,6	5-160X*	5-1410-1X* 5-1410X**	15-160X
	Silverado 2500 HD	w/ Spicer 1480 Series Driveshaft	N	4,5,6	5-188X*	SPL55-1X* SPL55X**	15-188X
	Silverado 2500 HD	w/ AAM 1415 Series Driveshaft	N	4,6	5-3207X**		
2007	Silverado 2500 HD	Cab & Chassis; Extended Cab; Standard Cab	N	2,3	5-3147X*	5-795X**	15-3147X
	Silverado 2500 HD	Crew Cab; 97.6" Bed	N	2,3	5-3147X*	5-795X**	15-3147X
	Silverado 2500 HD	6.0L	N	4,6	5-3207X**		
	Silverado 2500 HD	6.6L	N	4,6	5-3206X		
	Silverado 2500 HD	6.0L; Crew Cab; 97.6" Bed	N	5	5-3207X**		
	Silverado 2500 HD	6.0L; 1 Piece Driveshaft	L	4,5	5-160X*	5-1410-1X* 5-1410X**	15-160X
2008-2011	Silverado 2500 HD	6.6L; 1 Piece Driveshaft; AAM 1485 Series	L	4,5	5-3206X		
	Silverado 2500 HD	6.0L; 2 Piece Driveshaft	N	4,5,6	5-160X*	5-1410-1X* 5-1410X**	15-160X
	Silverado 2500 HD	6.6L; 2 Piece Driveshaft; AAM 1485 Series	N	4,5,6	5-3206X		
2012-2013	Silverado 2500 HD		N	2,3	5-3147X*	5-795X**	15-3147X
	Silverado 2500 HD	Diesel	N	4,6	5-3206X		
	Silverado 2500 HD	Flex-Fuel; Gas	N	4,6	5-3207X**		
	Silverado 2500 HD	Diesel; Crew Cab	N	5	5-3206X		
	Silverado 2500 HD	Flex-Fuel; Gas; Crew Cab	N	5	5-3207X**		

\* GREASEABLE \*\* NON-GREASEABLE



**Chevrolet (Cont'd)**

Year	Model	Description	Fig.	Location	Spicer Part #	SPL Part #	SVL Part #
2014-2016	Silverado 2500 HD	1 Piece Driveshaft	L	2,3	5-3147X*	5-795X**	15-3147X
	Silverado 2500 HD	V8 6.0L; LT; 1 Piece Driveshaft	L	4,5	5-160X*	5-1410-1X* 5-1410X**	15-160X
	Silverado 2500 HD	V8 6.0L; LTZ; 1 Piece Driveshaft	L	4,5	5-160X*	5-1410-1X* 5-1410X**	15-160X
	Silverado 2500 HD	V8 6.0L; WT; 1 Piece Driveshaft	L	4,5	5-160X*	5-1410-1X* 5-1410X**	15-160X
	Silverado 2500 HD	2 Piece Driveshaft	N	2,3	5-3147X*	5-795X**	15-3147X
	Silverado 2500 HD	V8 6.0L; LT; 2 Piece Driveshaft	N	5,6	5-160X*	5-1410-1X* 5-1410X**	15-160X
	Silverado 2500 HD	V8 6.0L; LTZ; 2 Piece Driveshaft	N	5,6	5-160X*	5-1410-1X* 5-1410X**	15-160X
	Silverado 2500 HD	V8 6.0L; WT; 2 Piece Driveshaft	N	5,6	5-160X*	5-1410-1X* 5-1410X**	15-160X
2015	Silverado 2500 HD	V8 6.6L; LT; 133.6in WB; 1 Piece Driveshaft	L	4	5-188X*	SPL55-1X* SPL55X**	15-188X
	Silverado 2500 HD	V8 6.6L; WT; 133.6in WB; 1 Piece Driveshaft	L	4	5-188X*	SPL55-1X* SPL55X**	15-188X
	Silverado 2500 HD	V8 6.6L; LT; 1 Piece Driveshaft	L	5	5-188X*	SPL55-1X* SPL55X**	15-188X
	Silverado 2500 HD	V8 6.6L; WT; 1 Piece Driveshaft	L	5	5-188X*	SPL55-1X* SPL55X**	15-188X
	Silverado 2500 HD	V8 6.6L; LT; 144.2in WB; 2 Piece Driveshaft	N	5	5-188X*	SPL55-1X* SPL55X**	15-188X
	Silverado 2500 HD	V8 6.6L; LT; 153.7in WB; 2 Piece Driveshaft	N	5	5-188X*	SPL55-1X* SPL55X**	15-188X
	Silverado 2500 HD	V8 6.6L; LT; 158.1in WB; 2 Piece Driveshaft	N	5	5-188X*	SPL55-1X* SPL55X**	15-188X
	Silverado 2500 HD	V8 6.6L; LT; 167.7in WB; 2 Piece Driveshaft	N	5	5-188X*	SPL55-1X* SPL55X**	15-188X
	Silverado 2500 HD	V8 6.6L; WT; 144.2in WB; 2 Piece Driveshaft	N	5	5-188X*	SPL55-1X* SPL55X**	15-188X
	Silverado 2500 HD	V8 6.6L; WT; 153.7in WB; 2 Piece Driveshaft	N	5	5-188X*	SPL55-1X* SPL55X**	15-188X
	Silverado 2500 HD	V8 6.6L; WT; 158.1in WB; 2 Piece Driveshaft	N	5	5-188X*	SPL55-1X* SPL55X**	15-188X
	Silverado 2500 HD	V8 6.6L; WT; 167.7in WB; 2 Piece Driveshaft	N	5	5-188X*	SPL55-1X* SPL55X**	15-188X
	Silverado 2500 HD	V8 6.6L; LT; 2 Piece Driveshaft	N	6	5-188X*	SPL55-1X* SPL55X**	15-188X
	Silverado 2500 HD	V8 6.6L; WT; 2 Piece Driveshaft	N	6	5-188X*	SPL55-1X* SPL55X**	15-188X
2015-2016	Silverado 2500 HD	V8 6.0L; High Country; 1 Piece Driveshaft	L	4,5	5-160X*	5-1410-1X* 5-1410X**	15-160X
	Silverado 2500 HD	V8 6.6L; High Country; 1 Piece Driveshaft	L	4,5	5-160X*	5-1410-1X* 5-1410X**	15-160X
	Silverado 2500 HD	V8 6.0L; High Country; 2 Piece Driveshaft	N	5,6	5-160X*	5-1410-1X* 5-1410X**	15-160X
	Silverado 2500 HD	V8 6.6L; High Country; 2 Piece Driveshaft	N	5,6	5-160X*	5-1410-1X* 5-1410X**	15-160X
2016	Silverado 2500 HD	V8 6.6L; LT; 133.6in WB; 1 Piece Driveshaft	L	4,5	5-188X*	SPL55-1X* SPL55X**	15-188X

\* GREASEABLE \*\* NON-GREASEABLE

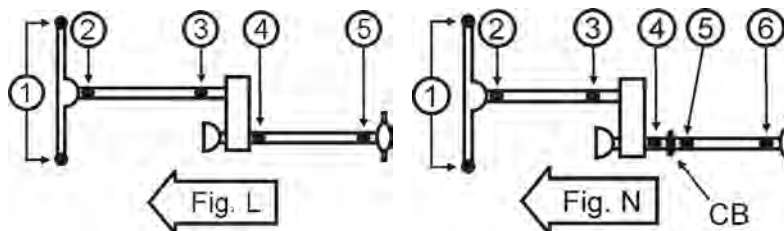
4  
W  
D

**Chevrolet (Cont'd)**

Year	Model	Description	Fig.	Location	Spicer Part #	SPL Part #	SVL Part #
2016	Silverado 2500 HD	V8 6.6L; WT; 133.6in WB; 1 Piece Driveshaft	L	4,5	5-188X*	SPL55-1X* SPL55X**	15-188X
	Silverado 2500 HD	V8 6.6L; LT; 144.2in WB; 2 Piece Driveshaft	N	5,6	5-188X*	SPL55-1X* SPL55X**	15-188X
	Silverado 2500 HD	V8 6.6L; LT; 153.7in WB; 2 Piece Driveshaft	N	5,6	5-188X*	SPL55-1X* SPL55X**	15-188X
	Silverado 2500 HD	V8 6.6L; LT; 158.1in WB; 2 Piece Driveshaft	N	5,6	5-188X*	SPL55-1X* SPL55X**	15-188X
	Silverado 2500 HD	V8 6.6L; LT; 167.7in WB; 2 Piece Driveshaft	N	5,6	5-188X*	SPL55-1X* SPL55X**	15-188X
	Silverado 2500 HD	V8 6.6L; WT; 144.2in WB; 2 Piece Driveshaft	N	5,6	5-188X*	SPL55-1X* SPL55X**	15-188X
	Silverado 2500 HD	V8 6.6L; WT; 153.7in WB; 2 Piece Driveshaft	N	5,6	5-188X*	SPL55-1X* SPL55X**	15-188X
	Silverado 2500 HD	V8 6.6L; WT; 158.1in WB; 2 Piece Driveshaft	N	5,6	5-188X*	SPL55-1X* SPL55X**	15-188X
	Silverado 2500 HD	V8 6.6L; WT; 167.7in WB; 2 Piece Driveshaft	N	5,6	5-188X*	SPL55-1X* SPL55X**	15-188X
2001-2005	Silverado 3500	1 Piece Driveshaft; w/ AAM 1415 Series Driveshaft	L	4,5	5-3207X**		
2001-2006	Silverado 3500	1 Piece Driveshaft	L	2,3	5-3147X*	5-795X**	15-3147X
	Silverado 3500	1 Piece Driveshaft; w/ Spicer 1410 Series Driveshaft; w/ Aluminum Yoke	L	4,5		5-3616X	
	Silverado 3500	1 Piece Driveshaft; w/ Spicer 1410 Series Driveshaft; w/ Steel Yoke	L	4,5	5-160X*	5-1410-1X* 5-1410X**	15-160X
	Silverado 3500	1 Piece Driveshaft; w/ Spicer 1480 Series Driveshaft	L	4,5	5-188X*	SPL55-1X* SPL55X**	15-188X
	Silverado 3500	2 Piece Driveshaft	N	2,3	5-3147X*	5-795X**	15-3147X
	Silverado 3500	2 Piece Driveshaft; w/ Spicer 1410 Series Driveshaft; w/ Aluminum Yoke	N	4,5,6		5-3616X	
	Silverado 3500	2 Piece Driveshaft; w/ Spicer 1410 Series Driveshaft; w/ Steel Yoke	N	4,5,6	5-160X*	5-1410-1X* 5-1410X**	15-160X
	Silverado 3500	2 Piece Driveshaft; w/ Spicer 1480 Series Driveshaft	N	4,5,6	5-188X*	SPL55-1X* SPL55X**	15-188X
2007-2011	Silverado 3500 HD	1 Piece Driveshaft	L	4,5	5-3206X		
	Silverado 3500 HD	2 Piece Driveshaft	N	4,5,6	5-3206X		
2012-2013	Silverado 3500 HD		N	2,3	5-3147X*	5-795X**	15-3147X
2014	Silverado 3500 HD	V8 6.0L; LT; 163.7in WB; 2 Piece Driveshaft	N	5,6	5-188X*	SPL55-1X* SPL55X**	15-188X
	Silverado 3500 HD	V8 6.0L; WT; 163.7in WB; 2 Piece Driveshaft	N	5,6	5-188X*	SPL55-1X* SPL55X**	15-188X
	Silverado 3500 HD	V8 6.6L; LT; 163.7in WB; 2 Piece Driveshaft	N	5,6	5-188X*	SPL55-1X* SPL55X**	15-188X
	Silverado 3500 HD	V8 6.6L; WT; 163.7in WB; 2 Piece Driveshaft	N	5,6	5-188X*	SPL55-1X* SPL55X**	15-188X
2014-2016	Silverado 3500 HD	1 Piece Driveshaft	L	2,3	5-3147X*	5-795X**	15-3147X
	Silverado 3500 HD	V8 6.0L; LT; 1 Piece Driveshaft	L	4,5	5-188X*	SPL55-1X* SPL55X**	15-188X
	Silverado 3500 HD	V8 6.0L; LT; 133.6in WB; 1 Piece Driveshaft	L	4,5	5-188X*	SPL55-1X* SPL55X**	15-188X
	Silverado 3500 HD	V8 6.0L; WT; 1 Piece Driveshaft	L	4,5	5-188X*	SPL55-1X* SPL55X**	15-188X
	Silverado 3500 HD	V8 6.0L; WT; 133.6in WB; 1 Piece Driveshaft	L	4,5	5-188X*	SPL55-1X* SPL55X**	15-188X
	Silverado 3500 HD	V8 6.6L; LT; 133.6in WB; 1 Piece Driveshaft	L	4,5	5-188X*	SPL55-1X* SPL55X**	15-188X
	Silverado 3500 HD	V8 6.6L; WT; 133.6in WB; 1 Piece Driveshaft	L	4,5	5-188X*	SPL55-1X* SPL55X**	15-188X
	Silverado 3500 HD	2 Piece Driveshaft	N	2,3	5-3147X*	5-795X**	15-3147X
	Silverado 3500 HD	V8 6.0L; LT; 137.5in WB; 2 Piece Driveshaft	N	5,6	5-188X*	SPL55-1X* SPL55X**	15-188X
	Silverado 3500 HD	V8 6.0L; LT; 153.7in WB; 2 Piece Driveshaft	N	5,6	5-188X*	SPL55-1X* SPL55X**	15-188X

\* GREASEABLE \*\* NON-GREASEABLE





Chevrolet (Cont'd)

Year	Model	Description	Fig.	Location	Spicer Part #	SPL Part #	SVL Part #
2014-2016	Silverado 3500 HD	V8 6.0L; LT; 162.0in WB; 2 Piece Driveshaft	N	5,6	5-188X*	SPL55-1X* SPL55X**	15-188X
	Silverado 3500 HD	V8 6.0L; LT; 167.7in WB; 2 Piece Driveshaft	N	5,6	5-188X*	SPL55-1X* SPL55X**	15-188X
	Silverado 3500 HD	V8 6.0L; LT; 171.5in WB; 2 Piece Driveshaft	N	5,6	5-188X*	SPL55-1X* SPL55X**	15-188X
	Silverado 3500 HD	V8 6.0L; LTZ; 2 Piece Driveshaft	N	5,6	5-188X*	SPL55-1X* SPL55X**	15-188X
	Silverado 3500 HD	V8 6.0L; WT; 137.5in WB; 2 Piece Driveshaft	N	5,6	5-188X*	SPL55-1X* SPL55X**	15-188X
	Silverado 3500 HD	V8 6.0L; WT; 153.7in WB; 2 Piece Driveshaft	N	5,6	5-188X*	SPL55-1X* SPL55X**	15-188X
	Silverado 3500 HD	V8 6.0L; WT; 162.0in WB; 2 Piece Driveshaft	N	5,6	5-188X*	SPL55-1X* SPL55X**	15-188X
	Silverado 3500 HD	V8 6.0L; WT; 167.7in WB; 2 Piece Driveshaft	N	5,6	5-188X*	SPL55-1X* SPL55X**	15-188X
	Silverado 3500 HD	V8 6.0L; WT; 171.5in WB; 2 Piece Driveshaft	N	5,6	5-188X*	SPL55-1X* SPL55X**	15-188X
	Silverado 3500 HD	V8 6.6L; LT; 137.5in WB; 2 Piece Driveshaft	N	5,6	5-188X*	SPL55-1X* SPL55X**	15-188X
	Silverado 3500 HD	V8 6.6L; LT; 153.7in WB; 2 Piece Driveshaft	N	5,6	5-188X*	SPL55-1X* SPL55X**	15-188X
	Silverado 3500 HD	V8 6.6L; LT; 162.0in WB; 2 Piece Driveshaft	N	5,6	5-188X*	SPL55-1X* SPL55X**	15-188X
	Silverado 3500 HD	V8 6.6L; LT; 167.7in WB; 2 Piece Driveshaft	N	5,6	5-188X*	SPL55-1X* SPL55X**	15-188X
	Silverado 3500 HD	V8 6.6L; LT; 171.5in WB; 2 Piece Driveshaft	N	5,6	5-188X*	SPL55-1X* SPL55X**	15-188X
	Silverado 3500 HD	V8 6.6L; LTZ; 2 Piece Driveshaft	N	5,6	5-188X*	SPL55-1X* SPL55X**	15-188X
	Silverado 3500 HD	V8 6.6L; WT; 137.5in WB; 2 Piece Driveshaft	N	5,6	5-188X*	SPL55-1X* SPL55X**	15-188X
	Silverado 3500 HD	V8 6.6L; WT; 153.7in WB; 2 Piece Driveshaft	N	5,6	5-188X*	SPL55-1X* SPL55X**	15-188X
	Silverado 3500 HD	V8 6.6L; WT; 162.0in WB; 2 Piece Driveshaft	N	5,6	5-188X*	SPL55-1X* SPL55X**	15-188X
	Silverado 3500 HD	V8 6.6L; WT; 167.7in WB; 2 Piece Driveshaft	N	5,6	5-188X*	SPL55-1X* SPL55X**	15-188X
	Silverado 3500 HD	V8 6.6L; WT; 171.5in WB; 2 Piece Driveshaft	N	5,6	5-188X*	SPL55-1X* SPL55X**	15-188X
2015-2016	Silverado 3500 HD	V8 6.0L; High Country; 1 Piece Driveshaft	L	4,5	5-160X*	5-1410-1X* 5-1410X**	15-160X
	Silverado 3500 HD	V8 6.6L; High Country; 1 Piece Driveshaft	L	4,5	5-160X*	5-1410-1X* 5-1410X**	15-160X
	Silverado 3500 HD	V8 6.0L; High Country; 2 Piece Driveshaft	N	5,6	5-160X*	5-1410-1X* 5-1410X**	15-160X
	Silverado 3500 HD	V8 6.0L; LT; 158.1in WB; 2 Piece Driveshaft	N	5,6	5-188X*	SPL55-1X* SPL55X**	15-188X
	Silverado 3500 HD	V8 6.0L; WT; 158.1in WB; 2 Piece Driveshaft	N	5,6	5-188X*	SPL55-1X* SPL55X**	15-188X
	Silverado 3500 HD	V8 6.6L; High Country; 2 Piece Driveshaft	N	5,6	5-160X*	5-1410-1X* 5-1410X**	15-160X
	Silverado 3500 HD	V8 6.6L; LT; 158.1in WB; 2 Piece Driveshaft	N	5,6	5-188X*	SPL55-1X* SPL55X**	15-188X

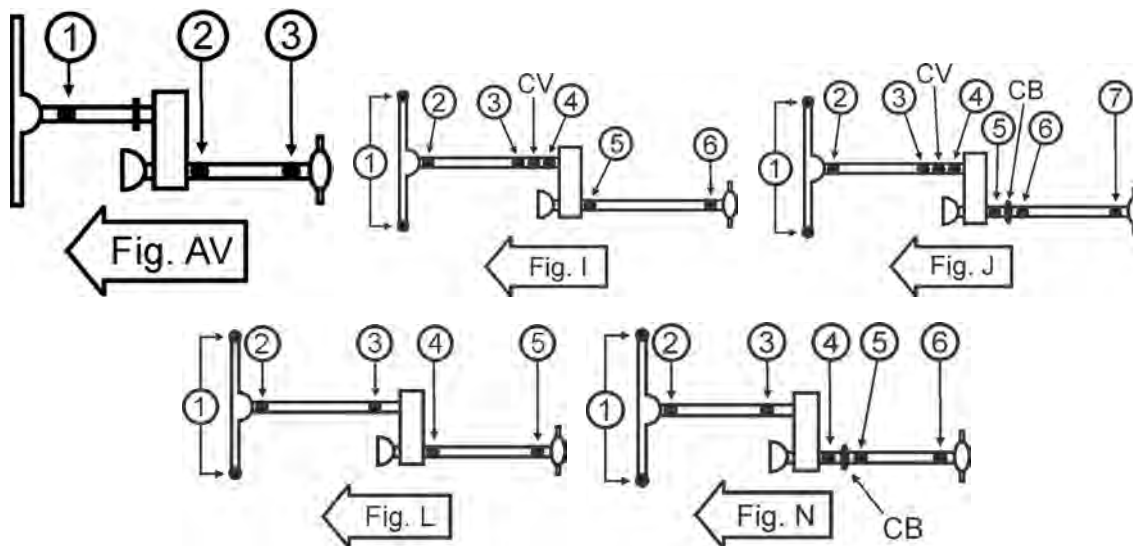
\* GREASEABLE \*\* NON-GREASEABLE

4  
W  
D

**Chevrolet (Cont'd)**

Year	Model	Description	Fig.	Location	Spicer Part #	SPL Part #	SVL Part #
2015-2016	Silverado 3500 HD	V8 6.6L; WT; 158.1in WB; 2 Piece Driveshaft	N	5,6	5-188X*	SPL55-1X* SPL55X**	15-188X
2015-2016	Suburban	1 Piece Driveshaft	L	2,3	5-3147X*	5-795X**	15-3147X
	Suburban	1 Piece Driveshaft	L	4,5	5-160X*	5-1410-1X* 5-1410X**	15-160X
2000-2006	Suburban 1500	1 Piece Driveshaft	L	2,3,4,5	5-3147X*	5-795X**	15-3147X
2007-2008	Suburban 1500	V8 5.3L; 1 Piece Driveshaft	L	4,5	5-3147X*	5-795X**	15-3147X
	Suburban 1500	V8 6.0L; 1 Piece Driveshaft	L	4,5	5-178X*	5-1350-1X* 5-1350X**	15-178X
2007-2014	Suburban 1500	1 Piece Driveshaft	L	2,3	5-3147X*	5-795X**	15-3147X
2009-2014	Suburban 1500	1 Piece Driveshaft	L	4,5	5-178X*	5-1350-1X* 5-1350X**	15-178X
2000-2013	Suburban 2500	1 Piece Driveshaft	L	2,3	5-3147X*	5-795X**	15-3147X
2001-2006	Suburban 2500	V8 6.0L; 1 Piece Driveshaft	L	4,5	5-178X*	5-1350-1X* 5-1350X**	15-178X
	Suburban 2500	V8 8.1L; 1 Piece Driveshaft	L	4,5	5-160X*	5-1410-1X* 5-1410X**	15-160X
2007	Suburban 2500	1 Piece Driveshaft	L	4,5	5-178X*	5-1350-1X* 5-1350X**	15-178X
2008-2013	Suburban 2500	1 Piece Driveshaft	L	4,5	5-160X*	5-1410-1X* 5-1410X**	15-160X
2016	Suburban 3500 HD	1 Piece Driveshaft	L	2,3	5-3147X*	5-795X**	15-3147X
1995-1999	Tahoe		L	2,3,4,5	5-3147X*	5-795X**	15-3147X
2000-2006	Tahoe	1 Piece Driveshaft	L	2,3,4,5	5-3147X*	5-795X**	15-3147X
2008-2016	Tahoe	1 Piece Driveshaft	L	2,3	5-3147X*	5-795X**	15-3147X
	Tahoe	1 Piece Driveshaft	L	4,5	5-178X*	5-1350-1X* 5-1350X**	15-178X
1998-2004	Tracker		L	2,3,4,5	5-1503X		
2002-2009	Trailblazer	1 Piece Driveshaft	AV	1	5-3213X		
2006	Trailblazer	L6 4.2L; 1 Piece Driveshaft	AV	2,3	5-3147X*	5-795X**	15-3147X
	Trailblazer	V8 5.3L; 1 Piece Driveshaft	AV	2,3	5-3147X*	5-795X**	15-3147X
	Trailblazer	V8 6.0L; 1 Piece Driveshaft	AV	2,3	5-178X*	5-1350-1X* 5-1350X**	15-178X
2007	Trailblazer	L6 4.2L; 1 Piece Driveshaft	AV	2	5-3147X*	5-795X**	15-3147X
	Trailblazer	V8 5.3L; 1 Piece Driveshaft	AV	2	5-3147X*	5-795X**	15-3147X
	Trailblazer	1 Piece Driveshaft	AV	3	5-3147X*	5-795X**	15-3147X
2008	Trailblazer	1 Piece Driveshaft	AV	2,3	5-3147X*	5-795X**	15-3147X
2009	Trailblazer	1 Piece Driveshaft	AV	2,3	5-178X* 5-3147X*	5-1350-1X* 5-1350X** 5-795X**	15-178X 15-3147X
	Trailblazer EXT	1 Piece Driveshaft	AV	1	5-3213X		
2002-2006	Trailblazer EXT	1 Piece Driveshaft	AV	2,3	5-3147X*	5-795X**	15-3147X
	Trailblazer EXT	1 Piece Driveshaft	AV	1	5-3226X	5-760X**	
1987	V10		I	1	5-3226X	5-760X**	
	V10		I	2	5-153X*	5-1310-1X* 5-1310X**	15-153X
	V10		I	3,4	5-3147X*	5-795X**	15-3147X
	V10	w/ Inside Snap Rings	I	5,6	5-3147X*	5-795X**	15-3147X
	V10	w/ Outside Snap Rings	I	5,6	5-178X*	5-1350-1X* 5-1350X**	15-178X
	V10		I	CV	211009X		
1987-1988	V10 Suburban		I	1	5-3226X	5-760X**	
	V10 Suburban		I	2	5-153X*	5-1310-1X* 5-1310X**	15-153X
	V10 Suburban		I	3,4	5-3147X*	5-795X**	15-3147X
	V10 Suburban	w/ Inside Snap Rings	I	5,6	5-3147X*	5-795X**	15-3147X
	V10 Suburban	w/ Outside Snap Rings	I	5,6	5-178X*	5-1350-1X* 5-1350X**	15-178X
	V10 Suburban		I	CV	211009X		
1989-1991	V1500 Suburban		I	1	5-3226X	5-760X**	
	V1500 Suburban		I	2	5-153X*	5-1310-1X* 5-1310X**	15-153X
	V1500 Suburban		I	3,4	5-3147X*	5-795X**	15-3147X

\* GREASEABLE \*\* NON-GREASEABLE



Chevrolet (Cont'd)

Year	Model	Description	Fig.	Location	Spicer Part #	SPL Part #	SVL Part #
1989-1991	V1500 Suburban	w/ Inside Snap Rings	I	5,6	5-3147X*	5-795X**	15-3147X
	V1500 Suburban	w/ Outside Snap Rings	I	5,6	5-178X*	5-1350-1X* 5-1350X**	15-178X
	V1500 Suburban		I	CV	211009X		
1987	V20		I	1	5-3226X	5-760X**	
	V20		I	2	5-153X*	5-1310-1X* 5-1310X**	15-153X
	V20		I	3,4	5-3147X*	5-795X**	15-3147X
	V20		I	5,6	5-178X*	5-1350-1X* 5-1350X**	15-178X
1987-1988	V20 Suburban		I	1	5-3226X	5-760X**	
	V20 Suburban		I	2	5-153X*	5-1310-1X* 5-1310X**	15-153X
	V20 Suburban		I	3,4	5-3147X*	5-795X**	15-3147X
	V20 Suburban		I	5,6	5-178X*	5-1350-1X* 5-1350X**	15-178X
	V20 Suburban		I	CV	211009X		
1989-1991	V2500 Suburban		I	1	5-3226X	5-760X**	
	V2500 Suburban		I	2	5-153X*	5-1310-1X* 5-1310X**	15-153X
	V2500 Suburban		I	3,4	5-3147X*	5-795X**	15-3147X
	V2500 Suburban		I	5,6	5-178X*	5-1350-1X* 5-1350X**	15-178X
	V2500 Suburban		I	CV	211009X		
1987	V30		J	1		SPL55-3X** SPL55-4X*	
	V30		J	2	5-153X*	5-1310-1X* 5-1310X**	15-153X
	V30		J	3,4	5-3147X*	5-795X**	15-3147X
	V30		J	5,6,7	5-178X*	5-1350-1X* 5-1350X**	15-178X
1987-1988	V30	1 Piece Driveshaft	I	CV	211009X		
	V30	2 Piece Driveshaft	J	CV	211009X		
1988	V30	2 Piece Driveshaft; CV at Transfer Case	J	1		SPL55-3X** SPL55-4X*	
	V30	2 Piece Driveshaft; CV at Transfer Case	J	2	5-153X*	5-1310-1X* 5-1310X**	15-153X
	V30	2 Piece Driveshaft; CV at Transfer Case	J	3,4	5-3147X*	5-795X**	15-3147X
	V30	2 Piece Driveshaft; CV at Transfer Case; w/ Aluminum Yoke	J	5,6,7		5-3615X	

\* GREASEABLE \*\* NON-GREASEABLE

4  
W  
D

**Chevrolet (Cont'd)**

Year	Model	Description	Fig.	Location	Spicer Part #	SPL Part #	SVL Part #
1988	V30	2 Piece Driveshaft; CV at Transfer Case; w/ Steel Yoke	J	5,6,7	5-178X*	5-1350-1X* 5-1350X**	15-178X
	V30	2 Piece Driveshaft; w/o CV at Transfer Case	N	1	5-3226X	5-760X**	
	V30	2 Piece Driveshaft; w/ Inside & Outside Snap Rings; w/o CV at Transfer Case	N	2	5-212X*	5-793X**	
	V30	2 Piece Driveshaft; w/ Inside Snap Rings; w/o CV at Transfer Case	N	2,3	5-3147X*	5-795X**	15-3147X
	V30	2 Piece Driveshaft; w/ Outside Snap Rings; w/o CV at Transfer Case	N	3	5-213X*	5-1330-1X* 5-1330X**	15-213X
	V30	2 Piece Driveshaft; w/o CV at Transfer Case	N	4,5,6	5-178X*	5-1350-1X* 5-1350X**	15-178X
1989	V3500	2 Piece Driveshaft; CV at Transfer Case	J	1		SPL55-3X** SPL55-4X*	
	V3500	2 Piece Driveshaft; CV at Transfer Case	J	2	5-153X*	5-1310-1X* 5-1310X**	15-153X
	V3500	2 Piece Driveshaft; CV at Transfer Case	J	3,4	5-3147X*	5-795X**	15-3147X
	V3500	2 Piece Driveshaft; CV at Transfer Case; w/ Aluminum Yoke	J	5,6,7		5-3615X	
	V3500	2 Piece Driveshaft; CV at Transfer Case; w/ Steel Yoke	J	5,6,7	5-178X*	5-1350-1X* 5-1350X**	15-178X
	V3500	2 Piece Driveshaft; w/o CV at Transfer Case	N	1	5-3226X	5-760X**	
	V3500	2 Piece Driveshaft; w/ Inside & Outside Snap Rings; w/o CV at Transfer Case	N	2	5-212X*	5-793X**	
	V3500	2 Piece Driveshaft; w/ Inside Snap Rings; w/o CV at Transfer Case	N	2,3	5-3147X*	5-795X**	15-3147X
	V3500	2 Piece Driveshaft; w/ Outside Snap Rings; w/o CV at Transfer Case	N	3	5-213X*	5-1330-1X* 5-1330X**	15-213X
	V3500	2 Piece Driveshaft; w/o CV at Transfer Case; w/ Aluminum Yoke	N	4,5,6		5-3615X	
V3500	2 Piece Driveshaft; w/o CV at Transfer Case; w/ Steel Yoke	N	4,5,6	5-178X*	5-1350-1X* 5-1350X**	15-178X	
1989-1990	V3500	2 Piece Driveshaft	J	CV	211009X		
1989-1991	V3500	1 Piece Driveshaft	I	CV	211009X		
1990-1991	V3500		J	1		SPL55-3X** SPL55-4X*	
	V3500		J	2	5-153X*	5-1310-1X* 5-1310X**	15-153X
	V3500		J	3,4	5-3147X*	5-795X**	15-3147X
	V3500	w/ Aluminum Yoke	J	5,6,7		5-3615X	
	V3500	w/ Steel Yoke	J	5,6,7	5-178X*	5-1350-1X* 5-1350X**	15-178X

4  
W  
D

**Chrysler**

Year	Model	Description	Fig.	Location	Spicer Part #	SPL Part #	SVL Part #
2007-2009	Aspen	1 Piece Driveshaft	AV	2,3	5-3147X*	5-795X**	15-3147X

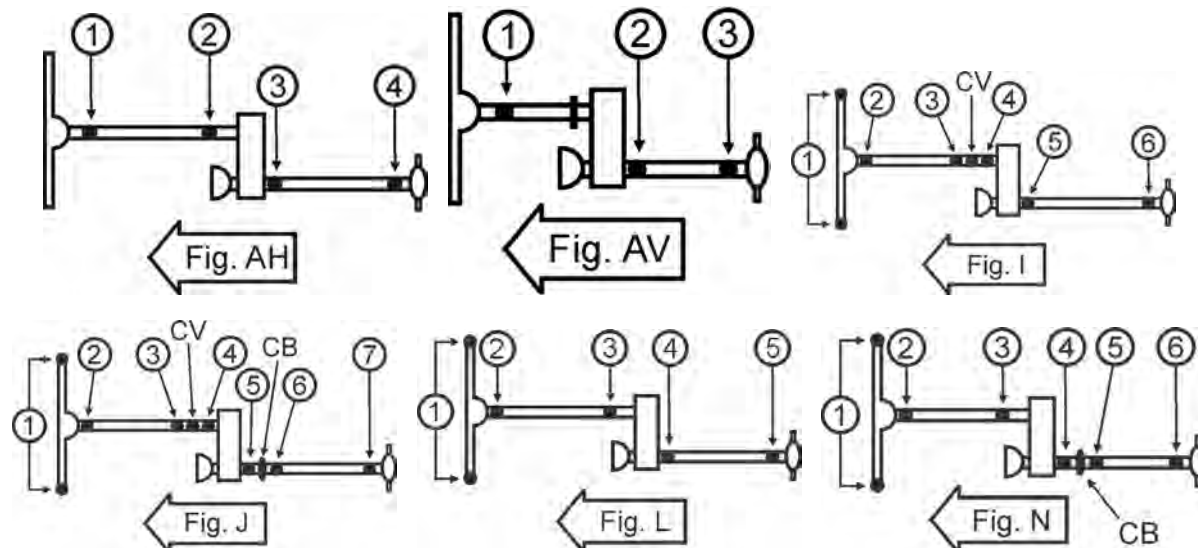
**Daihatsu**

Year	Model	Description	Fig.	Location	Spicer Part #	SPL Part #	SVL Part #
1990-1992	Rocky	1 Piece Driveshaft	AH	3,4	5-3243X		

**Dodge**

Year	Model	Description	Fig.	Location	Spicer Part #	SPL Part #	SVL Part #
1982	D50		L	2	5-3217X		
	D50		L	3,4	5-1503X		
	D50		L	5	5-3217X		
1987-1990	Dakota		I	5,6	5-3228X	5-789X	
1991-1993	Dakota	Steel Driveshaft	I	2		5-788X	15-353X
	Dakota	Steel Driveshaft	I	3,4	5-153X*	5-1310-1X* 5-1310X**	15-153X
	Dakota	Steel Driveshaft; 1.078" Cup Dia.	I	5,6	5-3228X	5-789X	
	Dakota	Steel Driveshaft; 1.126" Cup Dia.	I	5,6	5-1309X	5-811X	

\* GREASEABLE \*\* NON-GREASEABLE



Dodge (Cont'd)

Year	Model	Description	Fig.	Location	Spicer Part #	SPL Part #	SVL Part #
1994-1996	Dakota		I	2		5-788X	15-353X
	Dakota		I	3,4	5-153X*	5-1310-1X* 5-1310X**	15-153X
1994-1998	Dakota		I	5,6	5-1309X	5-811X	
1997-1999	Dakota		I	2,3,4	5-153X*	5-1310-1X* 5-1310X**	15-153X
1999	Dakota		I	5,6	5-213X*	5-1330-1X* 5-1330X**	15-213X
2000-2010	Dakota	1 Piece Driveshaft	AV	1	5-153X*	5-1310-1X* 5-1310X**	15-153X
	Dakota	1 Piece Driveshaft	AV	2,3	5-213X*	5-1330-1X* 5-1330X**	15-213X
1998	Durango		I	5,6	5-1309X	5-811X	
1998-1999	Durango		I	2,3,4	5-153X*	5-1310-1X* 5-1310X**	15-153X
1999	Durango		I	5,6	5-213X*	5-1330-1X* 5-1330X**	15-213X
2000	Durango	V8 4.7L; 1 Piece Driveshaft	AV	2,3	5-213X*	5-1330-1X* 5-1330X**	15-213X
	Durango	V8 5.2L; 1 Piece Driveshaft	AV	2,3	5-3147X*	5-795X**	15-3147X
	Durango	V8 5.9L; 1 Piece Driveshaft	AV	2,3	5-213X*	5-1330-1X* 5-1330X**	15-213X
2001-2003	Durango	1 Piece Driveshaft	AV	2,3	5-213X*	5-1330-1X* 5-1330X**	15-213X
2004-2009	Durango	1 Piece Driveshaft	AV	2,3	5-3147X*	5-795X**	15-3147X
1983-1986	Power Ram 50		L	2,3	5-1503X		
	Power Ram 50		L	4,5	5-3217X		
1987-1988	Raider		L	4,5	5-3217X		
1987-1989	Raider		L	2,3	5-1503X		
1989	Raider	2.6L	L	4,5	5-3217X		
	Raider	3.0L	L	4,5	5-3243X		
1994-1997	Ram 1500	1 Piece Driveshaft	I	2	5-1309X	5-811X	
	Ram 1500	2 Piece Driveshaft	J	2	5-1309X	5-811X	
1994-1998	Ram 1500	1 Piece Driveshaft	I	1	5-3226X	5-760X**	
	Ram 1500	1 Piece Driveshaft	I	3,4	5-213X*	5-1330-1X* 5-1330X**	15-213X
	Ram 1500	1 Piece Driveshaft	I	5,6	5-1309X	5-811X	
	Ram 1500	2 Piece Driveshaft	J	1	5-3226X	5-760X**	

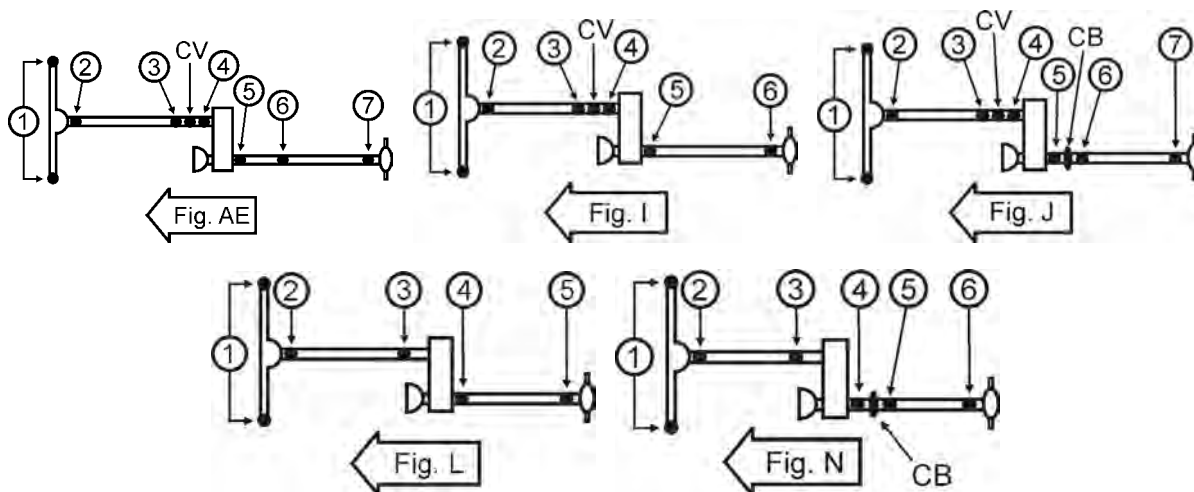
\* GREASEABLE \*\* NON-GREASEABLE

4  
W  
D

**Dodge (Cont'd)**

Year	Model	Description	Fig.	Location	Spicer Part #	SPL Part #	SVL Part #
1994-1998	Ram 1500	2 Piece Driveshaft	J	3,4	5-213X*	5-1330-1X* 5-1330X**	15-213X
1998	Ram 1500	2 Piece Driveshaft	J	5,6,7	5-1309X	5-811X	
	Ram 1500	1 Piece Driveshaft; w/ Inside Snap Rings	I	2	5-1309X	5-811X	
	Ram 1500	1 Piece Driveshaft; w/ Outside Snap Rings	I	2	5-3227X	5-7437X	
	Ram 1500	2 Piece Driveshaft; w/ Inside Snap Rings	J	2	5-1309X	5-811X	
	Ram 1500	2 Piece Driveshaft; w/ Outside Snap Rings	J	2	5-3227X	5-7437X	
1999	Ram 1500		J	2	5-3227X	5-7437X	
	Ram 1500		J	3,4,5	5-213X*	5-1330-1X* 5-1330X**	15-213X
	Ram 1500	Crew Cab; Extended Cab	J	6	5-213X*	5-1330-1X* 5-1330X**	15-213X
	Ram 1500		J	7	5-3227X	5-7437X	
1999-2001	Ram 1500		J	1	5-3226X	5-760X**	
2000-2001	Ram 1500		J	2,3,4	5-213X*	5-1330-1X* 5-1330X**	15-213X
	Ram 1500	Extended Cab; Standard Cab	J	5,7	5-213X*	5-1330-1X* 5-1330X**	15-213X
	Ram 1500	Extended Cab	J	6	5-213X*	5-1330-1X* 5-1330X**	15-213X
2002-2005	Ram 1500	1 Piece Driveshaft	L	2,4,5	5-213X*	5-1330-1X* 5-1330X**	15-213X
	Ram 1500	2 Piece Driveshaft	N	2,4,5,6	5-213X*	5-1330-1X* 5-1330X**	15-213X
2006-2008	Ram 1500	Extended Crew Cab; 2 Piece Driveshaft; w/ CV at Transfer Case	AE	1	5006813**		
	Ram 1500	Extended Crew Cab; 2 Piece Driveshaft; w/ CV at Transfer Case	AE	2	5-3147X*	5-795X**	15-3147X
	Ram 1500	Extended Crew Cab; 2 Piece Driveshaft; w/ CV at Transfer Case	AE	3,4	5-3208X		
	Ram 1500	Extended Crew Cab; 2 Piece Driveshaft; w/ CV at Transfer Case	AE	5,7	5-3207X**		
	Ram 1500	Crew Cab; Standard Cab; 3.7L; 1 Piece Driveshaft	L	4	5-213X*	5-1330-1X* 5-1330X**	15-213X
	Ram 1500	Crew Cab; Standard Cab; 4.7L; 5.7L; 1 Piece Driveshaft	L	5	5-213X*	5-1330-1X* 5-1330X**	15-213X
	Ram 1500	Crew Cab; Standard Cab; 2 Piece Driveshaft; w/o CV at Transfer Case	N	2	5-213X*	5-1330-1X* 5-1330X**	15-213X
	Ram 1500	Crew Cab; Standard Cab; 3.7L; 2 Piece Driveshaft; w/o CV at Transfer Case	N	4	5-213X*	5-1330-1X* 5-1330X**	15-213X
	Ram 1500	Crew Cab; Standard Cab; 4.7L; 5.7L; 2 Piece Driveshaft; w/o CV at Transfer Case	N	5,6	5-213X*	5-1330-1X* 5-1330X**	15-213X
2006-2009	Ram 1500	Crew Cab; Standard Cab; 1 Piece Driveshaft	L	2	5-213X*	5-1330-1X* 5-1330X**	15-213X
2009	Ram 1500	Extended Cab; 2 Piece Driveshaft	AE	1	5006813**		
	Ram 1500	Extended Cab; 2 Piece Driveshaft	AE	2	5-3147X*	5-795X**	15-3147X
	Ram 1500	Extended Cab; 2 Piece Driveshaft	AE	3,4	5-3208X		
	Ram 1500	Extended Cab; 2 Piece Driveshaft	AE	5,7	5-3207X**		
	Ram 1500	Crew Cab; Standard Cab; 3.7L; 1 Piece Driveshaft	L	4,5	5-213X*	5-1330-1X* 5-1330X**	15-213X
	Ram 1500	Crew Cab; Standard Cab; 4.7L; 5.7L; 1 Piece Driveshaft	L	4,5	5-178X*	5-1350-1X* 5-1350X**	15-178X
2010	Ram 1500	1 Piece Driveshaft	L	4,5	5-178X*	5-1350-1X* 5-1350X**	15-178X
	Ram 1500	2 Piece Driveshaft	N	4,5,6	5-213X*	5-1330-1X* 5-1330X**	15-213X
1994	Ram 2500	1 Piece Driveshaft	I	3,4	5-153X*	5-1310-1X* 5-1310X**	15-153X
	Ram 2500	1 Piece Driveshaft	I	5,6	5-1309X	5-811X	
	Ram 2500	2 Piece Driveshaft	J	3,4	5-153X*	5-1310-1X* 5-1310X**	15-153X
	Ram 2500	2 Piece Driveshaft	J	5,6,7	5-1309X	5-811X	
1994-1997	Ram 2500	1 Piece Driveshaft	I	2	5-1309X	5-811X	

\* GREASEABLE \*\* NON-GREASEABLE



Dodge (Cont'd)

Year	Model	Description	Fig.	Location	Spicer Part #	SPL Part #	SVL Part #
1994-1997	Ram 2500	2 Piece Driveshaft	J	2	5-1309X	5-811X	
1994-1999	Ram 2500	1 Piece Driveshaft; Dana Model 44 Axle	I	1	5-3226X	5-760X**	
	Ram 2500	1 Piece Driveshaft; Dana Model 60 Axle	I	1		SPL55-3X** SPL55-4X*	
	Ram 2500	2 Piece Driveshaft; Dana Model 44 Axle	J	1	5-3226X	5-760X**	
	Ram 2500	2 Piece Driveshaft; Dana Model 60 Axle	J	1		SPL55-3X** SPL55-4X*	
1995-1997	Ram 2500	1 Piece Driveshaft	I	3,4	5-1203X*		
	Ram 2500	1 Piece Driveshaft; 1.126" Cup Dia.; w/ 9.25" Chrysler Axle & 7290 Series	I	5,6	5-1309X	5-811X	
	Ram 2500	1 Piece Driveshaft; 1.188" Cup Dia.; w/ Dana Axle	I	5,6	5-160X*	5-1410-1X* 5-1410X**	15-160X
	Ram 2500	2 Piece Driveshaft	J	3,4	5-1203X*		
	Ram 2500	2 Piece Driveshaft; 1.126" Cup Dia.; w/ 9.25" Chrysler Axle & 7290 Series	J	5,6,7	5-1309X	5-811X	
	Ram 2500	2 Piece Driveshaft; 1.188" Cup Dia.; w/ Dana Axle	J	5,6,7	5-160X*	5-1410-1X* 5-1410X**	15-160X
1998-1999	Ram 2500	1 Piece Driveshaft; w/ Inside Snap Rings	I	2	5-1309X	5-811X	
	Ram 2500	1 Piece Driveshaft; w/ Outside Snap Rings	I	2	5-3227X	5-7437X	
	Ram 2500	1 Piece Driveshaft	I	3,4	5-213X*	5-1330-1X* 5-1330X**	15-213X
	Ram 2500	2 Piece Driveshaft; w/ Inside Snap Rings	J	2	5-1309X	5-811X	
	Ram 2500	2 Piece Driveshaft; w/ Outside Snap Rings	J	2	5-3227X	5-7437X	
	Ram 2500	2 Piece Driveshaft	J	3,4	5-213X*	5-1330-1X* 5-1330X**	15-213X
1998-2002	Ram 2500	1 Piece Driveshaft	I	5,6	5-160X*	5-1410-1X* 5-1410X**	15-160X
	Ram 2500	2 Piece Driveshaft	J	5,6,7	5-160X*	5-1410-1X* 5-1410X**	15-160X
2000-2002	Ram 2500	1 Piece Driveshaft	I	1		SPL55-3X** SPL55-4X*	
	Ram 2500	1 Piece Driveshaft	I	2,3,4	5-213X*	5-1330-1X* 5-1330X**	15-213X
	Ram 2500	2 Piece Driveshaft	J	1		SPL55-3X** SPL55-4X*	
	Ram 2500	2 Piece Driveshaft	J	2,3,4	5-213X*	5-1330-1X* 5-1330X**	15-213X
2003-2004	Ram 2500	1 Piece Driveshaft; w/ Spicer CV Head	I	3,4	5-213X*	5-1330-1X* 5-1330X**	15-213X
	Ram 2500	1 Piece Driveshaft; w/ 1410 Series Driveshaft	I	5,6	5-160X*	5-1410-1X* 5-1410X**	15-160X

\* GREASEABLE \*\* NON-GREASEABLE

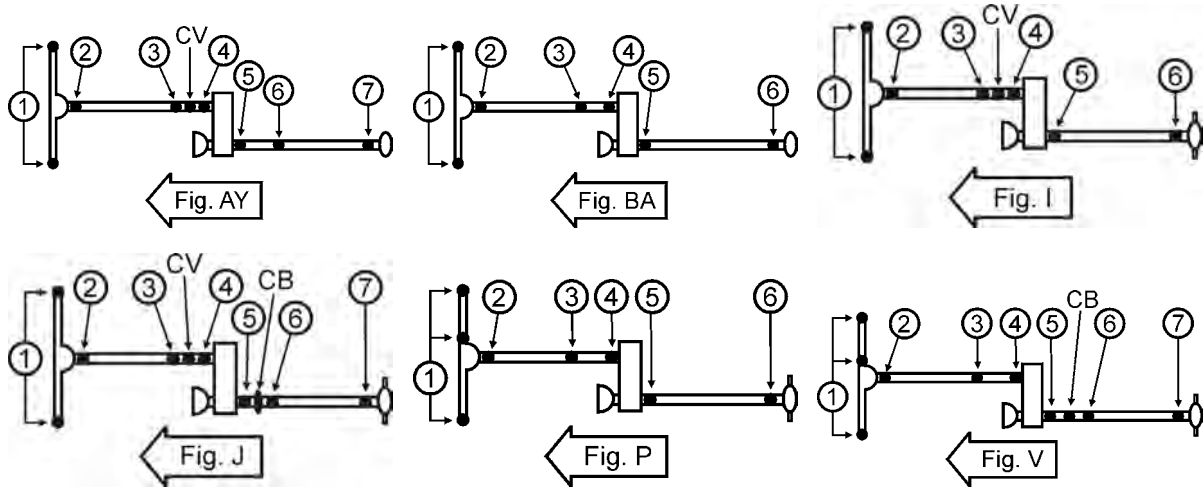
4  
W  
D

**Dodge (Cont'd)**

Year	Model	Description	Fig.	Location	Spicer Part #	SPL Part #	SVL Part #	
2003-2004	Ram 2500	2 Piece Driveshaft; w/ Spicer CV Head	J	3,4	5-213X*	5-1330-1X* 5-1330X**	15-213X	
	Ram 2500	2 Piece Driveshaft; w/ 1410 Series Driveshaft	J	5,6,7	5-160X*	5-1410-1X* 5-1410X**	15-160X	
2003-2005	Ram 2500	1 Piece Driveshaft	I	2	5-3147X*	5-795X**	15-3147X	
	Ram 2500	2 Piece Driveshaft	J	2	5-3147X*	5-795X**	15-3147X	
2003-2006	Ram 2500	1 Piece Driveshaft	I	1	5006813**			
	Ram 2500	2 Piece Driveshaft	J	1	5006813**			
2005	Ram 2500	1 Piece Driveshaft	I	3,4	5-3208X			
	Ram 2500	Diesel; 1 Piece Driveshaft	I	5,6	5-160X*	5-1410-1X* 5-1410X**	15-160X	
	Ram 2500	Gas; Auto Trans; 1 Piece Driveshaft	I	5,6	5-160X*	5-1410-1X* 5-1410X**	15-160X	
	Ram 2500	Gas; Standard Trans; 1 Piece Driveshaft	I	5,6	5-3206X			
	Ram 2500	2 Piece Driveshaft	J	3,4	5-3208X			
	Ram 2500	Diesel; Auto Trans; 2 Piece Driveshaft	J	5,6,7	5-160X*	5-1410-1X* 5-1410X**	15-160X	
	Ram 2500	Diesel; Standard Trans; G56; 2 Piece Driveshaft; AAM 1485S	J	5,6,7	5-3231X			
	Ram 2500	Diesel; Standard Trans; G56; 2 Piece Driveshaft; AAM 1485WJ	J	5,6,7	5006813**			
	Ram 2500	Diesel; Standard Trans; NV5600; 2 Piece Driveshaft	J	5,6,7	5-3206X			
	Ram 2500	Gas; Auto Trans; 2 Piece Driveshaft	J	5,6,7	5-160X*	5-1410-1X* 5-1410X**	15-160X	
	Ram 2500	Gas; Standard Trans; 2 Piece Driveshaft	J	5,6,7	5-3206X			
	2006	Ram 2500	1 Piece Driveshaft; w/ AAM 1355 Series	I	2	5-3147X*	5-795X**	15-3147X
		Ram 2500	2 Piece Driveshaft; w/ AAM 1355 Series	J	2	5-3147X*	5-795X**	15-3147X
2007-2008	Ram 2500	5.7L; 2 Piece Driveshaft; w/ AAM 1415 Series	AY	5,6,7	5-3207X**			
	Ram 2500	Standard Trans; 6.7L; 2 Piece Driveshaft; w/ AAM 1485 Series	AY	5,6,7	5-3206X			
	Ram 2500	6.7L; 1 Piece Driveshaft	BA	1	5006813**			
	Ram 2500	6.7L; 1 Piece Driveshaft	BA	2	5-3147X*	5-795X**	15-3147X	
	Ram 2500	6.7L; 1 Piece Driveshaft; w/ AAM 1355 Series	BA	3,4	5-3208X			
2007-2009	Ram 2500	5.7L; 6.7L; 2 Piece Driveshaft	AY	1	5006813**			
	Ram 2500	5.7L; 6.7L; 2 Piece Driveshaft	AY	2	5-3147X*	5-795X**	15-3147X	
	Ram 2500	5.7L; 6.7L; 2 Piece Driveshaft; w/ AAM 1355 Series	AY	3,4	5-3208X			
	Ram 2500	Auto Trans; 6.7L; 1 Piece Driveshaft; w/ AAM 1415 Series	BA	5,6	5-3207X**			
	Ram 2500	Standard Trans; 6.7L; 1 Piece Driveshaft; w/ AAM 1485 Series	BA	5,6	5-3206X			
2007-2010	Ram 2500	Auto Trans; 6.7L; 2 Piece Driveshaft	AY	5,6,7	5-160X*	5-1410-1X* 5-1410X**	15-160X	
2009	Ram 2500	Exc. Power Wagon; Standard Trans; 5.7L; 2 Piece Driveshaft	AY	5,6,7	5-3206X			
	Ram 2500	Power Wagon; 5.7L; 2 Piece Driveshaft	AY	5,6,7	5-160X*	5-1410-1X* 5-1410X**	15-160X	
	Ram 2500	5.7L; 6.7L; 1 Piece Driveshaft	BA	1	5006813**			
	Ram 2500	5.7L; 6.7L; 1 Piece Driveshaft	BA	2	5-3147X*	5-795X**	15-3147X	
	Ram 2500	5.7L; 6.7L; 1 Piece Driveshaft; w/ AAM 1355 Series	BA	3,4	5-3208X			
	Ram 2500	Exc. Power Wagon; Standard Trans; 5.7L; 1 Piece Driveshaft; w/ AAM 1485 Series	BA	5,6	5-3206X			
	Ram 2500	Power Wagon; 5.7L; 1 Piece Driveshaft; w/ AAM 1415 Series	BA	5,6	5-3207X**			
2009-2010	Ram 2500	Exc. Power Wagon; Auto Trans; 5.7L; 2 Piece Driveshaft	AY	5,6,7	5-160X*	5-1410-1X* 5-1410X**	15-160X	
	Ram 2500	Standard Trans; 6.7L; 2 Piece Driveshaft	AY	5,6,7	5-3206X			
	Ram 2500	Exc. Power Wagon; Auto Trans; 5.7L; 1 Piece Driveshaft; w/ AAM 1415 Series	BA	5,6	5-3207X**			

\* GREASEABLE \*\* NON-GREASEABLE





**Dodge (Cont'd)**

Year	Model	Description	Fig.	Location	Spicer Part #	SPL Part #	SVL Part #
2010	Ram 2500	2 Piece Driveshaft	AY	2,3,4	5-3147X*	5-795X**	15-3147X
	Ram 2500	Exc. Power Wagon; Standard Trans; 5.7L; 2 Piece Driveshaft	AY	5,6,7	5-188X*	SPL55-1X* SPL55X**	15-188X
	Ram 2500	Power Wagon; Auto Trans; 5.7L; 2 Piece Driveshaft	AY	5,6,7	5-160X*	5-1410-1X* 5-1410X**	15-160X
	Ram 2500	1 Piece Driveshaft	BA	1	5006813**		
	Ram 2500	1 Piece Driveshaft	BA	2	5-3147X*	5-795X**	15-3147X
	Ram 2500	1 Piece Driveshaft; w/ AAM 1355 Series	BA	3,4	5-3208X		
	Ram 2500	Auto Trans; 6.7L; 1 Piece Driveshaft; w/ Spicer Driveshaft	BA	5,6	5-3207X**		
	Ram 2500	Exc. Power Wagon; Standard Trans; 5.7L; 1 Piece Driveshaft; w/ Spicer Driveshaft	BA	5,6	5-188X*	SPL55-1X* SPL55X**	15-188X
	Ram 2500	Power Wagon; Auto Trans; 5.7L; 1 Piece Driveshaft; w/ AAM 1415 Series	BA	5,6	5-3207X**		
1994	Ram 3500	1 Piece Driveshaft	P	5,6	5-160X*	5-1410-1X* 5-1410X**	15-160X
	Ram 3500	1 Piece Driveshaft	P	2	5-1309X	5-811X	
1994-1996	Ram 3500	1 Piece Driveshaft	P	2	5-1309X	5-811X	
	Ram 3500	2 Piece Driveshaft	V	2	5-1309X	5-811X	
1994-2001	Ram 3500	1 Piece Driveshaft	P	1		SPL55-3X** SPL55-4X*	
	Ram 3500	1 Piece Driveshaft	P	3,4	5-213X*	5-1330-1X* 5-1330X**	15-213X
	Ram 3500	2 Piece Driveshaft	V	1		SPL55-3X** SPL55-4X*	
	Ram 3500	2 Piece Driveshaft	V	3,4	5-213X*	5-1330-1X* 5-1330X**	15-213X
1995-1997	Ram 3500	2 Piece Driveshaft; 1.125" Cup Dia.	V	5,6,7	5-1309X	5-811X	
	Ram 3500	2 Piece Driveshaft; 1.188" Cup Dia.	V	5,6,7	5-160X*	5-1410-1X* 5-1410X**	15-160X
1995-1999	Ram 3500	1 Piece Driveshaft; 1.125" Cup Dia.	P	5,6	5-1309X	5-811X	
	Ram 3500	1 Piece Driveshaft; 1.188" Cup Dia.	P	5,6	5-160X*	5-1410-1X* 5-1410X**	15-160X
1997	Ram 3500	1 Piece Driveshaft; w/ Outside Snap Rings	P	2	5-3227X	5-7437X	
	Ram 3500	2 Piece Driveshaft; w/ Outside Snap Rings	V	2	5-3227X	5-7437X	
1997-1999	Ram 3500	1 Piece Driveshaft; w/ Inside Snap Rings	P	2	5-1309X	5-811X	
	Ram 3500	2 Piece Driveshaft; w/ Inside Snap Rings	V	2	5-1309X	5-811X	
1998-1999	Ram 3500	1 Piece Driveshaft; w/ Inside & Outside Snap Rings	P	2	5-3227X	5-7437X	
	Ram 3500	2 Piece Driveshaft; w/ Inside & Outside Snap Rings	V	2	5-3227X	5-7437X	

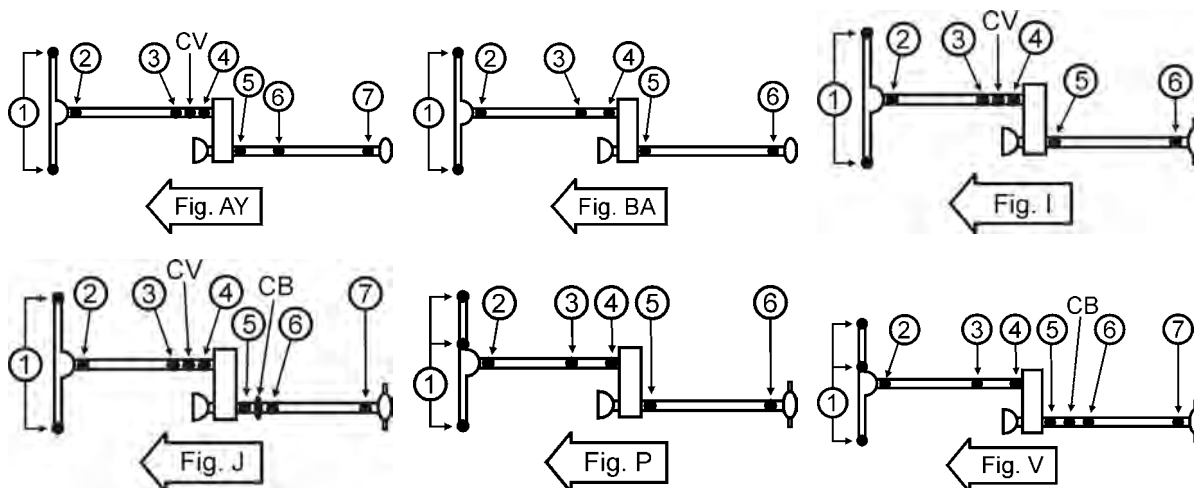
\* GREASEABLE \*\* NON-GREASEABLE

4  
W  
D

**Dodge (Cont'd)**

Year	Model	Description	Fig.	Location	Spicer Part #	SPL Part #	SVL Part #
1998-2001	Ram 3500	1 Piece Driveshaft; 1.062" Cup Dia.	P	5,6	5-213X*	5-1330-1X* 5-1330X**	15-213X
	Ram 3500	2 Piece Driveshaft	V	5,6,7	5-160X*	5-1410-1X* 5-1410X**	15-160X
2000-2001	Ram 3500	1 Piece Driveshaft	P	2	5-3147X*	5-795X**	15-3147X
	Ram 3500	1 Piece Driveshaft; 1.188" Cup Dia.; 3.625 cap to cap lockup	P	5,6	5-178X*	5-1350-1X* 5-1350X**	15-178X
	Ram 3500	1 Piece Driveshaft; 1.188" Cup Dia.; 4.188 cap to cap lockup	P	5,6	5-160X*	5-1410-1X* 5-1410X**	15-160X
	Ram 3500	2 Piece Driveshaft	V	2	5-3147X*	5-795X**	15-3147X
2002	Ram 3500	1 Piece Driveshaft	I	1		SPL55-3X** SPL55-4X*	
	Ram 3500	1 Piece Driveshaft; 1.062" Cup Dia.	I	5,6	5-213X*	5-1330-1X* 5-1330X**	15-213X
	Ram 3500	1 Piece Driveshaft; 1.188" Cup Dia.; 3.625 cap to cap lockup	I	5,6	5-178X*	5-1350-1X* 5-1350X**	15-178X
	Ram 3500	1 Piece Driveshaft; 1.188" Cup Dia.; 4.188 cap to cap lockup	I	5,6	5-160X*	5-1410-1X* 5-1410X**	15-160X
	Ram 3500	2 Piece Driveshaft	J	1		SPL55-3X** SPL55-4X*	
	Ram 3500	2 Piece Driveshaft	J	5,6,7	5-160X*	5-1410-1X* 5-1410X**	15-160X
2002-2004	Ram 3500	1 Piece Driveshaft	I	3,4	5-213X*	5-1330-1X* 5-1330X**	15-213X
	Ram 3500	2 Piece Driveshaft	J	3,4	5-213X*	5-1330-1X* 5-1330X**	15-213X
2002-2006	Ram 3500	1 Piece Driveshaft	I	2	5-3147X*	5-795X**	15-3147X
	Ram 3500	2 Piece Driveshaft	J	2	5-3147X*	5-795X**	15-3147X
2003	Ram 3500	1 Piece Driveshaft; w/ AAM 1415 Series	I	5,6	5-3207X**		
	Ram 3500	1 Piece Driveshaft; w/ AAM 1485 Series	I	5,6	5-3206X		
	Ram 3500	2 Piece Driveshaft; w/ AAM 1415 Series	J	5,6,7	5-3207X**		
	Ram 3500	2 Piece Driveshaft; w/ AAM 1485 Series	J	5,6,7	5-3206X		
	Ram 3500	2 Piece Driveshaft; w/ Spicer 1410 Series	J	5,6,7	5-160X*	5-1410-1X* 5-1410X**	15-160X
2003-2004	Ram 3500	1 Piece Driveshaft; w/ Spicer 1410 Series	I	5,6	5-160X*	5-1410-1X* 5-1410X**	15-160X
2003-2006	Ram 3500	1 Piece Driveshaft	I	1	5006813**		
	Ram 3500	2 Piece Driveshaft	J	1	5006813**		
2004	Ram 3500	2 Piece Driveshaft; Spicer 1410 Series	J	5	5-3206X		
	Ram 3500	Crew Cab; Standard Cab; 4 Speed; 5 Speed; 2 Piece Driveshaft; w/ AAM 1415 Series	J	5,7	5-3207X**		
	Ram 3500	Crew Cab; Standard Cab; 6 Speed; 2 Piece Driveshaft; w/ AAM 1485 Series	J	5,7	5-3206X		
	Ram 3500	Crew Cab; 4 Speed; 5 Speed; 2 Piece Driveshaft; w/ AAM 1415 Series	J	6	5-3207X**		
	Ram 3500	Crew Cab; 6 Speed; 2 Piece Driveshaft; w/ AAM 1485 Series	J	6	5-3206X		
	Ram 3500	2 Piece Driveshaft; Spicer 1410 Series	J	6,7	5-3207X**		
	Ram 3500	1 Piece Driveshaft	I	3,4	5-3208X		
2005-2006	Ram 3500	5.7L; 1 Piece Driveshaft	I	5,6	5-3207X**		
	Ram 3500	5.9L; Auto Trans; 1 Piece Driveshaft	I	5,6	5-3207X**		
	Ram 3500	5.9L; Standard Trans; 1 Piece Driveshaft	I	5,6	5-3206X		
	Ram 3500	2 Piece Driveshaft	J	3,4	5-3208X		
	Ram 3500	5.7L; 2 Piece Driveshaft	J	5,6,7	5-3207X**		
	Ram 3500	5.9L; Auto Trans; 2 Piece Driveshaft	J	5,6,7	5-3207X**		
	Ram 3500	5.9L; Standard Trans; 2 Piece Driveshaft	J	5,6,7	5-3206X		
	Ram 3500	2 Piece Driveshaft	AY	2	5-3147X*	5-795X**	15-3147X
2007	Ram 3500	Cab & Chassis; 2 Piece Driveshaft	AY	3,4	5-3208X		
	Ram 3500	Crew Cab; Extended Crew Cab; Standard Cab; 2 Piece Driveshaft	AY	3,4	5-3147X*	5-795X**	15-3147X
	Ram 3500	Crew Cab; Extended Crew Cab; Standard Cab; 2 Piece Driveshaft; w/ AAM 1415 Series	AY	5,7	5-3207X**		
	Ram 3500	Crew Cab; Extended Crew Cab; Standard Cab; 2 Piece Driveshaft; w/ AAM 1415 Series	AY	5,7	5-3207X**		

\* GREASEABLE \*\* NON-GREASEABLE



Dodge (Cont'd)

Year	Model	Description	Fig.	Location	Spicer Part #	SPL Part #	SVL Part #
2007	Ram 3500	Crew Cab; Extended Crew Cab; Standard Cab; 2 Piece Driveshaft; w/ Spicer Driveshaft	AY	5,7	5-3206X		
	Ram 3500	Crew Cab; 2 Piece Driveshaft; w/ AAM 1415 Series	AY	6	5-3207X**		
	Ram 3500	Crew Cab; 2 Piece Driveshaft; w/ Spicer Driveshaft	AY	6	5-3206X		
	Ram 3500	1 Piece Driveshaft	BA	2	5-3147X*	5-795X**	15-3147X
	Ram 3500	Cab & Chassis; 1 Piece Driveshaft	BA	3,4	5-3208X		
	Ram 3500	Crew Cab; Extended Crew Cab; Standard Cab; 1 Piece Driveshaft	BA	3,4	5-3147X*	5-795X**	15-3147X
	Ram 3500	Cab & Chassis; 1 Piece Driveshaft	BA	5,7	5-3230X		
	Ram 3500	Crew Cab; Extended Crew Cab; Standard Cab; 1 Piece Driveshaft; w/ AAM 1415 Series	BA	5,7	5-3207X**		
2007-2008	Ram 3500	2 Piece Driveshaft	AY	1	5006813**		
	Ram 3500	Cab & Chassis; 2 Piece Driveshaft	AY	5,6,7	5-3230X		
	Ram 3500	1 Piece Driveshaft	BA	1	5006813**		
2008	Ram 3500	2 Piece Driveshaft; w/ Inside Snap Rings	AY	2,3,4	5-3147X*	5-795X**	15-3147X
	Ram 3500	2 Piece Driveshaft; w/ Outside Snap Rings	AY	2,3,4	5-178X*	5-1350-1X* 5-1350X**	15-178X
	Ram 3500	Crew Cab; Extended Crew Cab; Standard Cab; Diesel; 2 Piece Driveshaft; w/ Spicer Driveshaft	AY	5,7	5-3206X		
	Ram 3500	Crew Cab; Extended Crew Cab; Standard Cab; Gas; 2 Piece Driveshaft; w/ AAM 1415 Series	AY	5,7	5-3207X**		
	Ram 3500	1 Piece Driveshaft; w/ Inside Snap Rings	BA	2,3,4	5-3147X*	5-795X**	15-3147X
	Ram 3500	1 Piece Driveshaft; w/ Outside Snap Rings	BA	2,3,4	5-178X*	5-1350-1X* 5-1350X**	15-178X
	Ram 3500	Cab & Chassis; 1 Piece Driveshaft	BA	5,6	5-3230X		
	Ram 3500	Crew Cab; Extended Crew Cab; Standard Cab; Diesel; 1 Piece Driveshaft; w/ Spicer Driveshaft	BA	5,6	5-3206X		
2009	Ram 3500	Laramie; Extended Crew Cab; 2 Piece Driveshaft; w/ Spicer Driveshaft	AY	1	5006813**		
	Ram 3500	SLT; SXT; Extended Crew Cab; Standard Cab; 2 Piece Driveshaft; w/ Spicer Driveshaft	AY	1	5006813**		

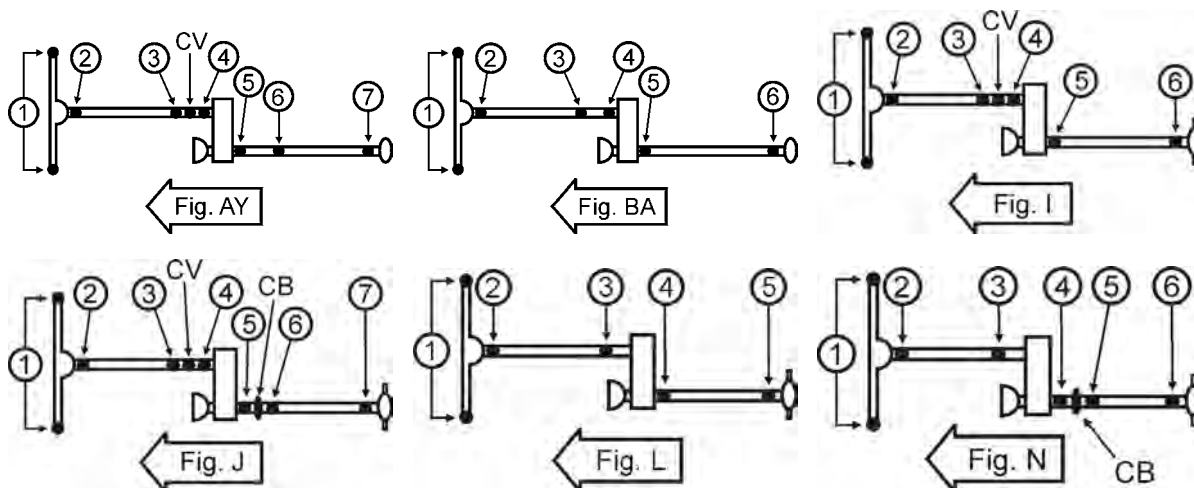
\* GREASEABLE \*\* NON-GREASEABLE

4  
W  
D

**Dodge (Cont'd)**

Year	Model	Description	Fig.	Location	Spicer Part #	SPL Part #	SVL Part #
2009	Ram 3500	ST; Standard Cab; 2 Piece Driveshaft; w/ Spicer Driveshaft	AY	1	5006813**		
	Ram 3500	Laramie; Extended Crew Cab; 2 Piece Driveshaft; w/ Spicer Driveshaft	AY	2,3,4	5-178X*	5-1350-1X* 5-1350X**	15-178X
	Ram 3500	SLT; SXT; Extended Crew Cab; Standard Cab; 2 Piece Driveshaft; w/ Spicer Driveshaft	AY	2,3,4	5-178X*	5-1350-1X* 5-1350X**	15-178X
	Ram 3500	ST; Standard Cab; 2 Piece Driveshaft; w/ Spicer Driveshaft	AY	2,3,4	5-178X*	5-1350-1X* 5-1350X**	15-178X
	Ram 3500	Laramie; Extended Crew Cab; 2 Piece Driveshaft; w/ Spicer Driveshaft	AY	5,6,7	5-160X*	5-1410-1X* 5-1410X**	15-160X
	Ram 3500	SLT; SXT; Extended Crew Cab; Standard Cab; 2 Piece Driveshaft; w/ Spicer Driveshaft	AY	5,6,7	5-160X*	5-1410-1X* 5-1410X**	15-160X
	Ram 3500	ST; Standard Cab; 2 Piece Driveshaft; w/ Spicer Driveshaft	AY	5,6,7	5-160X*	5-1410-1X* 5-1410X**	15-160X
	Ram 3500	Laramie; Extended Crew Cab; 1 Piece Driveshaft; w/ Spicer Driveshaft	BA	2,3,4	5-178X*	5-1350-1X* 5-1350X**	15-178X
	Ram 3500	SLT; SXT; Extended Crew Cab; Standard Cab; 1 Piece Driveshaft; w/ Spicer Driveshaft	BA	2,3,4	5-178X*	5-1350-1X* 5-1350X**	15-178X
	Ram 3500	ST; Standard Cab; 1 Piece Driveshaft; w/ Spicer Driveshaft	BA	2,3,4	5-178X*	5-1350-1X* 5-1350X**	15-178X
	Ram 3500	Laramie; Extended Crew Cab; 1 Piece Driveshaft; w/ Spicer Driveshaft	BA	5	5-188X*	SPL55-1X* SPL55X**	15-188X
	Ram 3500	Laramie; SLT; ST; Crew Cab; 1 Piece Driveshaft; w/ AAM 1415 Series	BA	5	5-3207X**		
	Ram 3500	SLT; SXT; Extended Crew Cab; Standard Cab; 1 Piece Driveshaft; w/ Spicer Driveshaft	BA	5	5-188X*	SPL55-1X* SPL55X**	15-188X
	Ram 3500	ST; Standard Cab; 1 Piece Driveshaft; w/ Spicer Driveshaft	BA	5	5-188X*	SPL55-1X* SPL55X**	15-188X
	Ram 3500	Laramie; SLT; Extended Crew Cab; 5.7L; 1 Piece Driveshaft	BA	6	5-3206X		
	Ram 3500	Laramie; SLT; Extended Crew Cab; Auto Trans; 6.7L; 1 Piece Driveshaft	BA	6	5-188X*	SPL55-1X* SPL55X**	15-188X
	Ram 3500	Laramie; SLT; Extended Crew Cab; Standard Trans; 6.7L; 1 Piece Driveshaft; w/ AAM 1485 Series	BA	6	5-3206X		
	Ram 3500	SLT; ST; Standard Cab; 1 Piece Driveshaft; w/ Spicer Driveshaft	BA	6	5-160X*	5-1410-1X* 5-1410X**	15-160X
	2009-2010	Ram 3500	Laramie; SLT; ST; Crew Cab; 2 Piece Driveshaft; w/ AAM 1485 Series	AY	5,6,7	5-3206X	
2010	Ram 3500	Laramie; SLT; ST; 2 Piece Driveshaft	AY	2,3,4	5-178X*	5-1350-1X* 5-1350X**	15-178X
	Ram 3500	Laramie; Extended Crew Cab; 2 Piece Driveshaft	AY	5,6,7	5-160X*	5-1410-1X* 5-1410X**	15-160X
	Ram 3500	SLT; Extended Crew Cab; Standard Cab; 2 Piece Driveshaft	AY	5,6,7	5-160X*	5-1410-1X* 5-1410X**	15-160X
	Ram 3500	ST; Standard Cab; 2 Piece Driveshaft	AY	5,6,7	5-160X*	5-1410-1X* 5-1410X**	15-160X
	Ram 3500	1 Piece Driveshaft	BA	1	5-3212X		
	Ram 3500	Laramie; Extended Crew Cab; 1 Piece Driveshaft	BA	2,3,4	5-178X*	5-1350-1X* 5-1350X**	15-178X
	Ram 3500	SLT; Extended Crew Cab; Standard Cab; 1 Piece Driveshaft	BA	2,3,4	5-178X*	5-1350-1X* 5-1350X**	15-178X
	Ram 3500	ST; Standard Cab; 1 Piece Driveshaft	BA	2,3,4	5-178X*	5-1350-1X* 5-1350X**	15-178X
	Ram 3500	Laramie; Extended Crew Cab; 1 Piece Driveshaft	BA	5	5-160X*	5-1410-1X* 5-1410X**	15-160X
	Ram 3500	SLT; Extended Crew Cab; Standard Cab; 1 Piece Driveshaft	BA	5	5-160X*	5-1410-1X* 5-1410X**	15-160X
	Ram 3500	ST; Standard Cab; 1 Piece Driveshaft	BA	5	5-160X*	5-1410-1X* 5-1410X**	15-160X

\* GREASEABLE \*\* NON-GREASEABLE



Dodge (Cont'd)

Year	Model	Description	Fig.	Location	Spicer Part #	SPL Part #	SVL Part #
2010	Ram 3500	Laramie; SLT; Extended Crew Cab; Auto Trans; 1 Piece Driveshaft	BA	6	5-188X*	SPL55-1X* SPL55X**	15-188X
	Ram 3500	Laramie; SLT; Extended Crew Cab; Standard Trans; 1 Piece Driveshaft; w/ AAM 1485 Series	BA	6	5-3206X		
	Ram 3500	Laramie; SLT; ST; Crew Cab; 1 Piece Driveshaft; w/ AAM 1415 Series	BA	6	5-3207X**		
	Ram 3500	SLT; ST; Standard Cab; 1 Piece Driveshaft	BA	6	5-160X*	5-1410-1X* 5-1410X**	15-160X
2008-2010	Ram 4500	Exc. Base; 1 Piece Driveshaft	I	1	5-3212X		
	Ram 4500	Exc. Base; 1 Piece Driveshaft	I	2,3,4	5-3208X		
	Ram 4500	Exc. Base; 1 Piece Driveshaft	I	5,6	5-3230X		
	Ram 4500	Exc. Base; 2 Piece Driveshaft	J	2,3,4	5-3208X		
	Ram 4500	Exc. Base; 2 Piece Driveshaft	J	5,6,7	5-3230X		
1987-1989	Ram 50		L	2,3	5-1503X		
	Ram 50		L	4,5	5-3217X		
1990-1993	Ram 50		N	2,3	5-1503X		
	Ram 50		N	4,5,6	5-3243X		
2008-2010	Ram 5500	Exc. Base; 1 Piece Driveshaft	I	1	5-3212X		
	Ram 5500	Exc. Base; 1 Piece Driveshaft	I	2,3,4	5-3208X		
	Ram 5500	Exc. Base; 1 Piece Driveshaft	I	5,6	5-3230X		
	Ram 5500	Exc. Base; 2 Piece Driveshaft	J	2,3,4	5-3208X		
	Ram 5500	Exc. Base; 2 Piece Driveshaft	J	5,6,7	5-3230X		
1974-1977	Ramcharger	w/ Inside Snap Rings	I	2	5-3228X	5-789X	
	Ramcharger	w/ Outside Snap Rings	I	2,3,4	5-153X*	5-1310-1X* 5-1310X**	15-153X
	Ramcharger	w/ Inside Snap Rings	I	3,4	5-3147X*	5-795X**	15-3147X
	Ramcharger		I	5,6	5-3228X	5-789X	
	Ramcharger	w/ Inside Snap Rings	I	CV	211009X		
1974-1993	Ramcharger		I	1	5-3226X	5-760X**	
	Ramcharger		I	2	5-3228X	5-789X	
1978-1981	Ramcharger		I	3,4	5-3147X*	5-795X**	15-3147X
	Ramcharger		I	5	5-3228X	5-789X	
	Ramcharger		I	6	5-1309X	5-811X	
	Ramcharger		I	CV	211009X		
1978-1993	Ramcharger	1.078" Cup Dia.	I	2,5,6	5-3228X	5-789X	
	Ramcharger	1.126" Cup Dia.	I	2,5,6	5-1309X	5-811X	
	Ramcharger		I	3,4	5-3228X	5-789X	

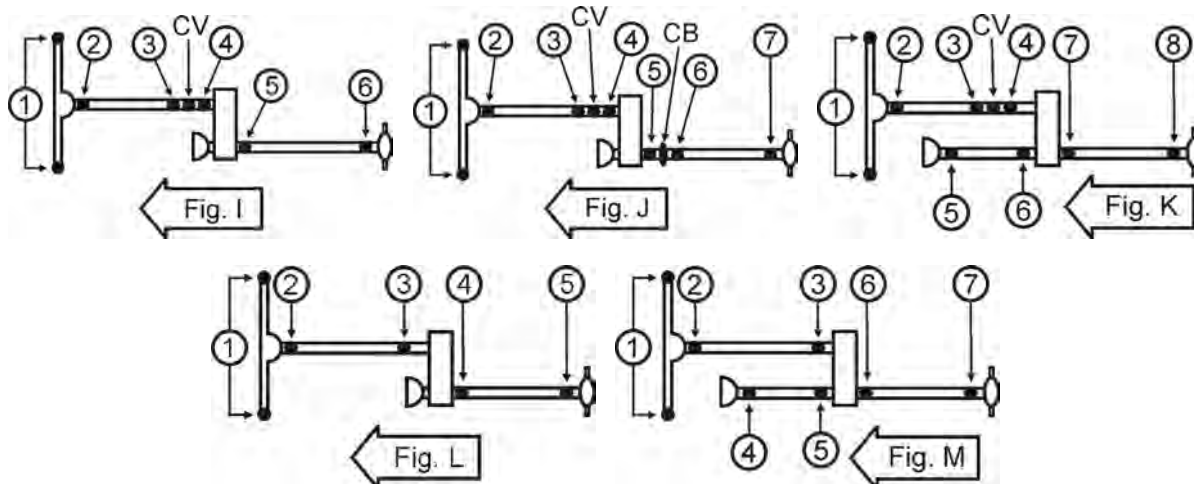
\* GREASEABLE \*\* NON-GREASEABLE

4  
W  
D

**Dodge (Cont'd)**

Year	Model	Description	Fig.	Location	Spicer Part #	SPL Part #	SVL Part #
1975-1977	W100		K	1	5-3226X	5-760X**	
	W100	w/ Inside Snap Rings	K	2	5-3228X	5-789X	
	W100	w/ Outside Snap Rings	K	2,3,4	5-153X*	5-1310-1X* 5-1310X**	15-153X
	W100	w/ Inside Snap Rings	K	3,4	5-3147X*	5-795X**	15-3147X
	W100		K	5,6,7	5-3228X	5-789X	
	W100		K	8	5-1309X	5-811X	
	W100	w/ Inside Snap Rings	K	CV	211009X		
1984-1989	W100	1 Piece Driveshaft	I	1	5-3226X	5-760X**	
	W100	1 Piece Driveshaft	I	2	5-3228X	5-789X	
	W100	1 Piece Driveshaft	I	3,4	5-3147X*	5-795X**	15-3147X
	W100	1 Piece Driveshaft	I	5,6	5-3228X	5-789X	
	W100	2 Piece Driveshaft	J	1	5-3226X	5-760X**	
	W100	2 Piece Driveshaft	J	2	5-3228X	5-789X	
	W100	2 Piece Driveshaft	J	3,4	5-3147X*	5-795X**	15-3147X
1986-1988	W100	1 Piece Driveshaft	I	CV	211009X		
	W100	2 Piece Driveshaft	J	CV	211009X		
1989	W100	1 Piece Driveshaft; w/ 7290 Series; 1.126" Cup Dia.	I	CV	211009X		
	W100	2 Piece Driveshaft; w/ 7290 Series; 1.126" Cup Dia.	J	CV	211009X		
1958-1959	W100 Pickup		M	2,3,4,5,6,7	5-153X*	5-1310-1X* 5-1310X**	15-153X
1968-1970	W100 Pickup	w/ Inside Snap Rings	L	1	5-260X**		15-260X
	W100 Pickup	w/ Outside Snap Rings	L	1	5-178X*	5-1350-1X* 5-1350X**	15-178X
1968-1974	W100 Pickup		L	2,3,4,5	5-3228X	5-789X	
1971	W100 Pickup		L	1	5-260X**		15-260X
1972	W100 Pickup	1.062" Cup Dia.	L	1	5-260X**		15-260X
	W100 Pickup	1.188" Cup Dia.	L	1	5-3226X	5-760X**	
1973-1974	W100 Pickup		L	1	5-3226X	5-760X**	
1960	W100 Series		M	2,3,4,5,6,7	5-153X*	5-1310-1X* 5-1310X**	15-153X
1961-1967	W100 Series	w/ Inside Snap Rings	L	1	5-260X**		15-260X
	W100 Series	w/ Outside Snap Rings	L	1	5-178X*	5-1350-1X* 5-1350X**	15-178X
	W100 Series		L	2,3,4,5	5-3228X	5-789X	
1977	W150		K	1	5-3226X	5-760X**	
	W150	w/ Inside Snap Rings	K	2	5-3228X	5-789X	
	W150	w/ Outside Snap Rings	K	2,3,4	5-153X*	5-1310-1X* 5-1310X**	15-153X
	W150	w/ Inside Snap Rings	K	3,4	5-3147X*	5-795X**	15-3147X
	W150		K	5,6,7	5-3228X	5-789X	
	W150		K	8	5-1309X	5-811X	
	W150	w/ Inside Snap Rings	K	CV	211009X		
1978-1981	W150	1 Piece Driveshaft	I	5	5-3228X	5-789X	
	W150	1 Piece Driveshaft; 1.078" Cup Dia.	I	6	5-3228X	5-789X	
	W150	1 Piece Driveshaft; 1.126" Cup Dia.	I	6	5-1309X	5-811X	
	W150	2 Piece Driveshaft	J	5	5-3228X	5-789X	
	W150	2 Piece Driveshaft; 1.078" Cup Dia.	J	6,7	5-3228X	5-789X	
	W150	2 Piece Driveshaft; 1.126" Cup Dia.	J	6,7	5-1309X	5-811X	
	W150		J	CV	211009X		
1978-1988	W150	1 Piece Driveshaft	I	2	5-3228X	5-789X	
	W150	1 Piece Driveshaft	I	CV	211009X		
	W150	2 Piece Driveshaft	J	2	5-3228X	5-789X	
1978-1993	W150	2 Piece Driveshaft	J	CV	211009X		
	W150	1 Piece Driveshaft	I	1	5-3226X	5-760X**	
	W150	1 Piece Driveshaft	I	3,4	5-3147X*	5-795X**	15-3147X
	W150	2 Piece Driveshaft	J	1	5-3226X	5-760X**	
W150	2 Piece Driveshaft	J	3,4	5-3147X*	5-795X**	15-3147X	

\* GREASEABLE \*\* NON-GREASEABLE



Dodge (Cont'd)

Year	Model	Description	Fig.	Location	Spicer Part #	SPL Part #	SVL Part #	
1982-1988	W150	1 Piece Driveshaft	I	5,6	5-3228X	5-789X		
	W150	2 Piece Driveshaft	J	5,6,7	5-3228X	5-789X		
1989-1993	W150	1 Piece Driveshaft; 1.078" Cup Dia.	I	2,5,6	5-3228X	5-789X		
	W150	1 Piece Driveshaft; 1.126" Cup Dia.	I	2,5,6	5-1309X	5-811X		
	W150	1 Piece Driveshaft; 1.118" Cup Dia.	I	5,6	5-160X*	5-1410-1X* 5-1410X**	15-160X	
	W150	1 Piece Driveshaft; w/ 7290 Series; 1.126" Cup Dia.	I	CV	211009X			
	W150	2 Piece Driveshaft; 1.078" Cup Dia.	J	2,5,6,7	5-3228X	5-789X		
	W150	2 Piece Driveshaft; 1.126" Cup Dia.	J	2,5,6,7	5-1309X	5-811X		
	W150	2 Piece Driveshaft; 1.118" Cup Dia.	J	5,6,7	5-160X*	5-1410-1X* 5-1410X**	15-160X	
	W150	2 Piece Driveshaft; w/ 7290 Series; 1.126" Cup Dia.	J	CV	211009X			
1975-1977	W200	1 Piece Driveshaft; w/ Inside Snap Rings	I	2	5-3228X	5-789X		
	W200	1 Piece Driveshaft; w/ Outside Snap Rings	I	2,3,4	5-153X*	5-1310-1X* 5-1310X**	15-153X	
	W200	1 Piece Driveshaft; w/ Inside Snap Rings	I	3,4	5-3147X*	5-795X**	15-3147X	
	W200	1 Piece Driveshaft; w/ Inside Snap Rings	I	CV	211009X			
1975-1980	W200	1 Piece Driveshaft; 1.062" Cup Dia.	I	1	5-3226X	5-760X**		
	W200	1 Piece Driveshaft; 1.375" Cup Dia.	I	1		SPL55-3X** SPL55-4X*		
	W200	1 Piece Driveshaft	I	5	5-3228X	5-789X		
	W200	1 Piece Driveshaft; 1.078" Cup Dia.	I	6	5-3228X	5-789X		
	W200	2 Piece Driveshaft; 1.062" Cup Dia.	J	1	5-3226X	5-760X**		
	W200	2 Piece Driveshaft; 1.375" Cup Dia.	J	1		SPL55-3X** SPL55-4X*		
	W200	2 Piece Driveshaft	J	1				
1978-1980	W200	1 Piece Driveshaft	I	2	5-3228X	5-789X		
	W200	1 Piece Driveshaft	I	3,4	5-3147X*	5-795X**	15-3147X	
	W200	1 Piece Driveshaft; 1.126" Cup Dia.	I	6	5-1309X	5-811X		
	W200	1 Piece Driveshaft	I	CV	211009X			
	W200	2 Piece Driveshaft	J	2	5-3228X	5-789X		
	W200	2 Piece Driveshaft	J	3,4	5-3147X*	5-795X**	15-3147X	
	W200	2 Piece Driveshaft	J	5	5-3228X	5-789X		
	W200	2 Piece Driveshaft; 1.078" Cup Dia.	J	6,7	5-3228X	5-789X		
	W200	2 Piece Driveshaft; 1.126" Cup Dia.	J	6,7	5-1309X	5-811X		
	W200	2 Piece Driveshaft	J	CV	211009X			
	1958-1959	W200 Pickup		M	1,2,3,4,5,6, 7	5-153X*	5-1310-1X* 5-1310X**	15-153X
		W200 Pickup	w/ Inside Snap Rings	M	1	5-260X**		15-260X

\* GREASEABLE \*\* NON-GREASEABLE

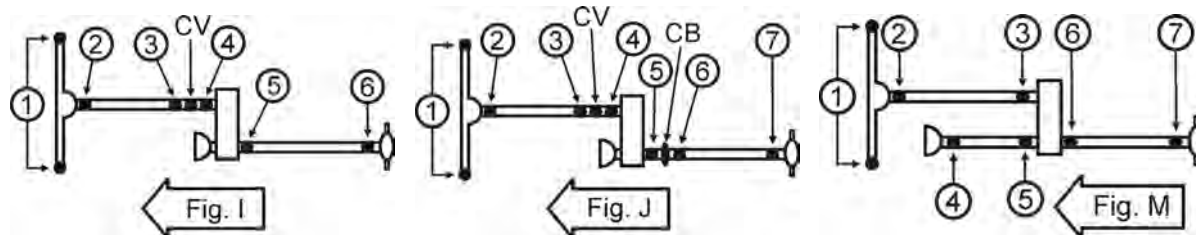
4  
W  
D

**Dodge (Cont'd)**

Year	Model	Description	Fig.	Location	Spicer Part #	SPL Part #	SVL Part #
1968-1971	W200 Pickup	w/ Outside Snap Rings	M	1	5-178X*	5-1350-1X* 5-1350X**	15-178X
1968-1974	W200 Pickup		M	2,3,4,5,6,7	5-3228X	5-789X	
1972	W200 Pickup	1.062" Cup Dia.	M	1	5-260X**		15-260X
	W200 Pickup	1.188" Cup Dia.	M	1	5-3226X	5-760X**	
1973-1974	W200 Pickup		M	1	5-3226X	5-760X**	
1960	W200 Series		M	1,2,3,4,5,6,7	5-153X*	5-1310-1X* 5-1310X**	15-153X
1961-1967	W200 Series	w/ Inside Snap Rings	M	1	5-260X**		15-260X
	W200 Series	w/ Outside Snap Rings	M	1	5-178X*	5-1350-1X* 5-1350X**	15-178X
	W200 Series		M	2,3,4,5,6,7	5-3228X	5-789X	
1981	W250	1 Piece Driveshaft; 1.062" Cup Dia.	I	1	5-3226X	5-760X**	
	W250	1 Piece Driveshaft; 1.375" Cup Dia.	I	1		SPL55-3X** SPL55-4X*	
	W250	1 Piece Driveshaft	I	5	5-3228X	5-789X	
	W250	1 Piece Driveshaft; 1.078" Cup Dia.	I	6	5-3228X	5-789X	
	W250	1 Piece Driveshaft; 1.126" Cup Dia.	I	6	5-1309X	5-811X	
	W250	1 Piece Driveshaft	I	CV	211009X		
	W250	2 Piece Driveshaft; 1.062" Cup Dia.	J	1	5-3226X	5-760X**	
	W250	2 Piece Driveshaft; 1.375" Cup Dia.	J	1		SPL55-3X** SPL55-4X*	
	W250	2 Piece Driveshaft	J	2	5-3228X	5-789X	
	W250	2 Piece Driveshaft	J	3,4	5-3147X*	5-795X**	15-3147X
	W250	2 Piece Driveshaft	J	5	5-3228X	5-789X	
	W250	2 Piece Driveshaft; 1.078" Cup Dia.	J	6,7	5-3228X	5-789X	
	W250	2 Piece Driveshaft; 1.126" Cup Dia.	J	6,7	5-1309X	5-811X	
	W250	2 Piece Driveshaft	J	CV	211009X		
1982-1985	W250		I	1	5-3226X	5-760X**	
	W250		I	2	5-3228X	5-789X	
	W250		I	3,4	5-3147X*	5-795X**	15-3147X
	W250		I	5,6	5-3228X	5-789X	
1982-1988	W250		I	CV	211009X		
1986-1988	W250	1 Piece Driveshaft	I	2	5-3228X	5-789X	
	W250	1 Piece Driveshaft	I	3,4	5-3147X*	5-795X**	15-3147X
	W250	1 Piece Driveshaft	I	5,6	5-3228X	5-789X	
1986-1993	W250	1 Piece Driveshaft; Dana Model 44 Axle	I	1	5-3226X	5-760X**	
	W250	1 Piece Driveshaft; Dana Model 60 Axle	I	1		SPL55-3X** SPL55-4X*	
	W250	2 Piece Driveshaft; Dana Model 44 Axle	J	1	5-3226X	5-760X**	
	W250	2 Piece Driveshaft; Dana Model 60 Axle	J	1		SPL55-3X** SPL55-4X*	
1989-1993	W250	1 Piece Driveshaft; 1.078" Cup Dia.; w/ 7260 Series	I	2	5-3228X	5-789X	
	W250	1 Piece Driveshaft; 1.126" Cup Dia.; w/7290 Series	I	2	5-1309X	5-811X	
	W250	1 Piece Driveshaft; 1.126" Cup Dia.; w/7290 Series	I	3,4	5-3147X*	5-795X**	15-3147X
	W250	Diesel; 1 Piece Driveshaft; 1.188" Cup Dia.	I	5,6	5-160X*	5-1410-1X* 5-1410X**	15-160X
	W250	Gas; 1 Piece Driveshaft; 1.078" Cup Dia.; w/ 7260 Series	I	5,6	5-3228X	5-789X	
	W250	Gas; 1 Piece Driveshaft; 1.126" Cup Dia.; w/7290 Series	I	5,6	5-1309X	5-811X	
	W250	1 Piece Driveshaft; w/ 7290 Series; 1.126" Cup Dia.	I	CV	211009X		
	W250	2 Piece Driveshaft; 1.078" Cup Dia.; w/ 7260 Series	J	2	5-3228X	5-789X	
	W250	2 Piece Driveshaft; 1.126" Cup Dia.; w/7290 Series	J	2	5-1309X	5-811X	
	W250	2 Piece Driveshaft; 1.126" Cup Dia.; w/7290 Series	J	3,4	5-3147X*	5-795X**	15-3147X

\* GREASEABLE \*\* NON-GREASEABLE





Dodge (Cont'd)

Year	Model	Description	Fig.	Location	Spicer Part #	SPL Part #	SVL Part #
1989-1993	W250	Diesel; 2 Piece Driveshaft; 1.188" Cup Dia.	J	5,6,7	5-160X*	5-1410-1X* 5-1410X**	15-160X
	W250	Gas; 2 Piece Driveshaft; 1.078" Cup Dia.; w/ 7260 Series	J	5,6,7	5-3228X	5-789X	
	W250	Gas; 2 Piece Driveshaft; 1.126" Cup Dia.; w/7290 Series	J	5,6,7	5-1309X	5-811X	
	W250	2 Piece Driveshaft; w/ 7290 Series; 1.126" Cup Dia.	J	CV	211009X		
1975-1977	W300	1 Piece Driveshaft	I	2	5-153X*	5-1310-1X* 5-1310X**	15-153X
	W300	1 Piece Driveshaft; w/ Inside Snap Rings	I	3,4	5-3147X*	5-795X**	15-3147X
	W300	1 Piece Driveshaft; w/ Outside Snap Rings	I	3,4	5-153X*	5-1310-1X* 5-1310X**	15-153X
	W300	1 Piece Driveshaft; w/ 72600 Series Driveshaft	I	5,6	5-3228X	5-789X	
	W300	1 Piece Driveshaft; w/ 7290 Series Driveshaft	I	5,6	5-1309X	5-811X	
	W300	1 Piece Driveshaft; w/ Inside Snap Rings	I	CV	211009X		
	W300	2 Piece Driveshaft	J	2	5-153X*	5-1310-1X* 5-1310X**	15-153X
	W300	2 Piece Driveshaft; w/ Inside Snap Rings	J	3,4	5-3147X*	5-795X**	15-3147X
	W300	2 Piece Driveshaft; w/ Outside Snap Rings	J	3,4	5-153X*	5-1310-1X* 5-1310X**	15-153X
	W300	2 Piece Driveshaft; w/ 72600 Series Driveshaft	J	5,6	5-3228X	5-789X	
	W300	2 Piece Driveshaft; w/ 7290 Series Driveshaft	J	5,6	5-1309X	5-811X	
	W300	2 Piece Driveshaft	J	7	5-1309X	5-811X	
	W300	2 Piece Driveshaft; w/ Inside Snap Rings	J	CV	211009X		
	1975-1980	W300	1 Piece Driveshaft; Dana Model 60 Axle	I	1		SPL55-3X** SPL55-4X*
W300		2 Piece Driveshaft; Dana Model 60 Axle	J	1		SPL55-3X** SPL55-4X*	
1978-1980	W300	1 Piece Driveshaft	I	2	5-3228X	5-789X	
	W300	1 Piece Driveshaft	I	3,4	5-3147X*	5-795X**	15-3147X
	W300	1 Piece Driveshaft	I	5	5-3228X	5-789X	
	W300	1 Piece Driveshaft; 1.078" Cup Dia.	I	6	5-3228X	5-789X	
	W300	1 Piece Driveshaft; 1.126" Cup Dia.	I	6	5-1309X	5-811X	
	W300	1 Piece Driveshaft	I	CV	211009X		
	W300	2 Piece Driveshaft	J	2	5-3228X	5-789X	
	W300	2 Piece Driveshaft	J	3,4	5-3147X*	5-795X**	15-3147X
	W300	2 Piece Driveshaft	J	5	5-3228X	5-789X	
	W300	2 Piece Driveshaft; 1.078" Cup Dia.	J	6	5-1309X	5-811X	
	W300	2 Piece Driveshaft; 1.126" Cup Dia.	J	6	5-3228X	5-789X	
	W300	2 Piece Driveshaft; 1.078" Cup Dia.	J	7	5-3228X	5-789X	
	W300	2 Piece Driveshaft; 1.126" Cup Dia.	J	7	5-1309X	5-811X	
	W300	2 Piece Driveshaft; 1.231" Cup Dia.	J	7	5-1301X		
	W300	2 Piece Driveshaft	J	CV	211009X		
1957	W300 Pickup		M	2,3,6,7	5-3251X		
1958-1959	W300 Pickup		M	2,3,4,5,6	5-3250X		
1968-1972	W300 Pickup	w/ 2.000" O.D. Yoke	M	2,3	5-3251X		

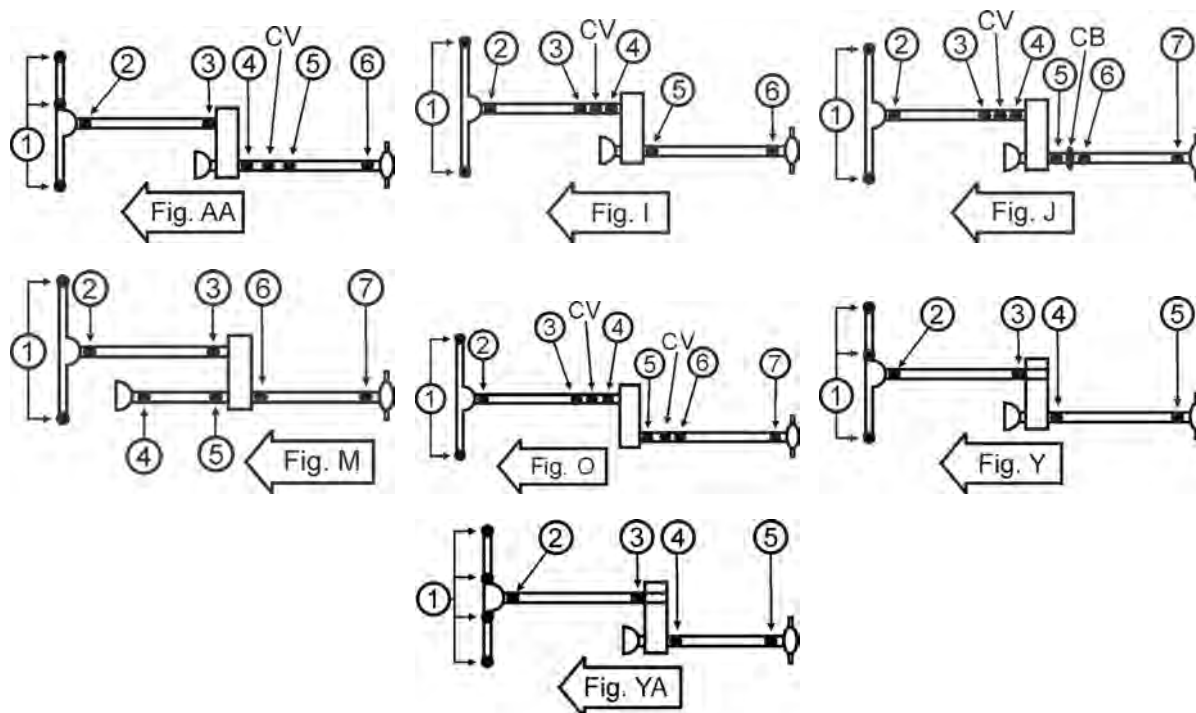
\* GREASEABLE \*\* NON-GREASEABLE

4  
W  
D

**Dodge (Cont'd)**

Year	Model	Description	Fig.	Location	Spicer Part #	SPL Part #	SVL Part #
1968-1972	W300 Pickup	w/ 3.000" O.D. Yoke	M	2,3,4	5-1301X		
	W300 Pickup	w/ 2.000" O.D. Yoke	M	4,5,6,7	5-1301X		
	W300 Pickup	w/ 3.000" O.D. Yoke	M	5,6,7	5-3251X		
1973-1974	W300 Pickup	Dana Model 44 Axle	M	1	5-3226X	5-760X**	
	W300 Pickup	Dana Model 60 Axle	M	1		SPL55-3X** SPL55-4X*	
	W300 Pickup		M	2,3,4,5,6,7	5-1301X		
1960-1967	W300 Series	w/ 2.000" O.D. Yoke	M	2,3	5-3251X		
	W300 Series	w/ 3.000" O.D. Yoke	M	2,3,4	5-1301X		
	W300 Series	w/ 2.000" O.D. Yoke	M	4,5,6,7	5-1301X		
	W300 Series	w/ 3.000" O.D. Yoke	M	5,6,7	5-3251X		
1981	W350	1 Piece Driveshaft; 1.126" Cup Dia.	I	6	5-1309X	5-811X	
	W350	2 Piece Driveshaft	J	5	5-3228X	5-789X	
	W350	2 Piece Driveshaft; 1.078" Cup Dia.	J	6	5-1309X	5-811X	
	W350	2 Piece Driveshaft; 1.126" Cup Dia.	J	6	5-3228X	5-789X	
	W350	2 Piece Driveshaft; 1.078" Cup Dia.	J	7	5-3228X	5-789X	
	W350	2 Piece Driveshaft; 1.126" Cup Dia.	J	7	5-1309X	5-811X	
	W350	2 Piece Driveshaft; 1.231" Cup Dia.	J	7	5-1301X		
1981-1988	W350	1 Piece Driveshaft	I	2	5-3228X	5-789X	
	W350	1 Piece Driveshaft	I	3,4	5-3147X*	5-795X**	15-3147X
	W350	1 Piece Driveshaft	I	5	5-3228X	5-789X	
	W350	1 Piece Driveshaft; 1.078" Cup Dia.	I	6	5-3228X	5-789X	
	W350	2 Piece Driveshaft	J	2	5-3228X	5-789X	
	W350	2 Piece Driveshaft	J	3,4	5-3147X*	5-795X**	15-3147X
1981-1993	W350	1 Piece Driveshaft; Dana Model 60 Axle	I	1		SPL55-3X** SPL55-4X*	
	W350	1 Piece Driveshaft	I	CV	211009X		
	W350	2 Piece Driveshaft; Dana Model 60 Axle	J	1		SPL55-3X** SPL55-4X*	
	W350	2 Piece Driveshaft	J	CV	211009X		
1982-1986	W350	2 Piece Driveshaft	J	5,6,7	5-3228X	5-789X	
1982-1988	W350	1 Piece Driveshaft; 1.231" Cup Dia.	I	6	5-1301X		
1989-1993	W350	1 Piece Driveshaft; 1.078" Cup Dia.; w/ 7260 Series	I	2	5-3228X	5-789X	
	W350	1 Piece Driveshaft; 1.126" Cup Dia.; w/7290 Series	I	2	5-1309X	5-811X	
	W350	1 Piece Driveshaft; 1.126" Cup Dia.; w/7290 Series	I	3,4	5-3147X*	5-795X**	15-3147X
	W350	Diesel; 1 Piece Driveshaft; 1.188" Cup Dia.	I	5,6	5-160X*	5-1410-1X* 5-1410X**	15-160X
	W350	Gas; 1 Piece Driveshaft; 1.078" Cup Dia.; w/ 7260 Series	I	5,6	5-3228X	5-789X	
	W350	Gas; 1 Piece Driveshaft; 1.126" Cup Dia.; w/7290 Series	I	5,6	5-1309X	5-811X	
	W350	2 Piece Driveshaft; 1.078" Cup Dia.; w/ 7260 Series	J	2	5-3228X	5-789X	
	W350	2 Piece Driveshaft; 1.126" Cup Dia.; w/7290 Series	J	2	5-1309X	5-811X	
	W350	2 Piece Driveshaft; 1.126" Cup Dia.; w/7290 Series	J	3,4	5-3147X*	5-795X**	15-3147X
	W350	Diesel; 2 Piece Driveshaft; 1.188" Cup Dia.	J	5,6,7	5-160X*	5-1410-1X* 5-1410X**	15-160X
	W350	Gas; 2 Piece Driveshaft; 1.078" Cup Dia.; w/ 7260 Series	J	5,6,7	5-3228X	5-789X	
W350	Gas; 2 Piece Driveshaft; 1.126" Cup Dia.; w/7290 Series	J	5,6,7	5-1309X	5-811X		
1960-1962	Wm300 Power Wagon		M	2,3	5-3251X		
	Wm300 Power Wagon		M	4,5	5-1301X		
	Wm300 Power Wagon		M	6,7	5-3251X		
1963-1966	Wm300 Power Wagon		M	2,3,4,5,6,7	5-3251X		

\* GREASEABLE \*\* NON-GREASEABLE



Ford

Year	Model	Description	Fig.	Location	Spicer Part #	SPL Part #	SVL Part #
1990-1997	Aerostar		YA	1,2,3	5-443X		
	Aerostar		YA	4,5	5-153X*	5-1310-1X* 5-1310X**	15-153X
1966-1969	Bronco		0	2,3,4,5,6,7	5-3247X		
1970	Bronco	From Serial # G70,001	0	1	5-260X**		15-260X
	Bronco	To Serial # G70,001	0	1	5-260X**		15-260X
	Bronco	From Serial # G70,001	0	2,3,4,5,6,7	5-153X*	5-1310-1X* 5-1310X**	15-153X
	Bronco	To Serial # G70,001	0	2,3,4,5,6,7	5-3247X		
1971-1977	Bronco		0	1	5-260X**		15-260X
	Bronco		0	2,3,4,5,6,7	5-153X*	5-1310-1X* 5-1310X**	15-153X
1978	Bronco	w/ 3.469" O.D. Yoke	J	2,7	5-153X*	5-1310-1X* 5-1310X**	15-153X
	Bronco	w/ 3.870" O.D. Yoke	J	2,7	5-213X*	5-1330-1X* 5-1330X**	15-213X
1978-1979	Bronco		J	1	5-3226X	5-760X**	
	Bronco		J	3,4,5,6	5-213X*	5-1330-1X* 5-1330X**	15-213X
1979	Bronco	1.062" & 1.125" Cup Dia.	J	2	5-1204X*	5-7438X	15-1204X
	Bronco	1.062" Cup Dia.	J	2	5-213X*	5-1330-1X* 5-1330X**	15-213X
	Bronco		J	7	5-1204X*	5-7438X	15-1204X
1980-1981	Bronco	From Serial # GJ0,001	AA	2	5-1204X*	5-7438X	15-1204X
	Bronco	To Serial # GJ0,001	AA	2	5-1203X*		
	Bronco		AA	3	5-1204X*	5-7438X	15-1204X
	Bronco		AA	4,5	5-1203X*		
1982-1986	Bronco	2 Piece Driveshaft	AA	1	5-3226X	5-760X**	
	Bronco	2 Piece Driveshaft	AA	2,3	5-1204X*	5-7438X	15-1204X
	Bronco	2 Piece Driveshaft	AA	4,5	5-1203X*		
	Bronco	2 Piece Driveshaft	AA	6	5-1204X*	5-7438X	15-1204X
	Bronco	1 Piece Driveshaft	Y	1	5-3226X	5-760X**	

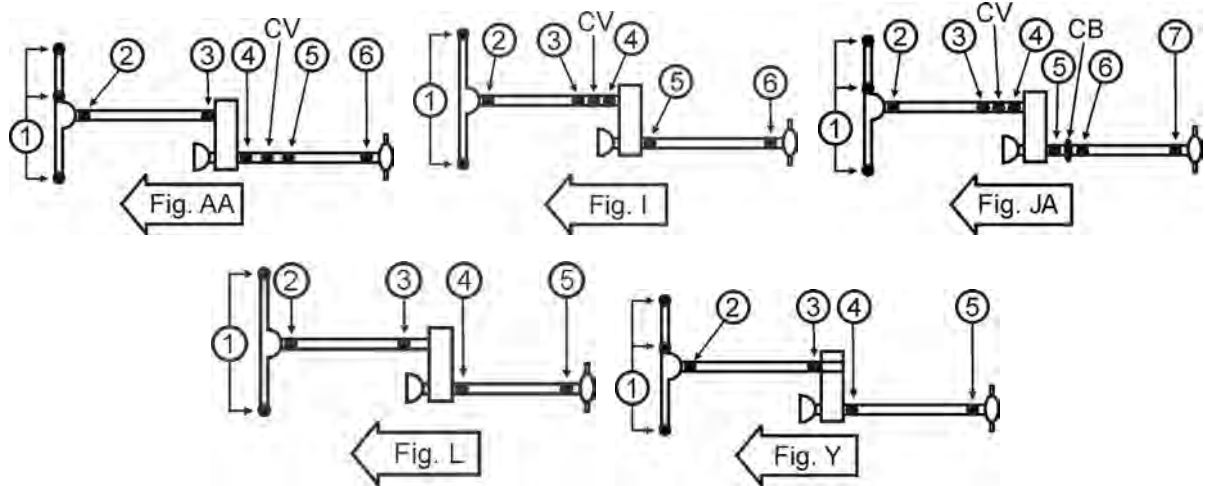
\* GREASEABLE \*\* NON-GREASEABLE

4  
W  
D

**Ford (Cont'd)**

Year	Model	Description	Fig.	Location	Spicer Part #	SPL Part #	SVL Part #	
1982-1986	Bronco	1 Piece Driveshaft	Y	2,3	5-1204X*	5-7438X	15-1204X	
	Bronco	1 Piece Driveshaft	Y	4	5-1203X*			
	Bronco	1 Piece Driveshaft	Y	5	5-1204X*	5-7438X	15-1204X	
1987	Bronco		AA	2	5-1204X*	5-7438X	15-1204X	
	Bronco		AA	3	5-213X*	5-1330-1X* 5-1330X**	15-213X	
	Bronco	Front CV; w/ Clevel& Steel & Outside Snap Rings	AA	4	5-1203X*			
	Bronco	Front CV; w/ Koyo Sieko & Inside Snap Rings	AA	4	5-212X*	5-793X**		
	Bronco	Rear CV; w/ Clevel& Steel & Outside Snap Rings	AA	5	5-1203X*			
	Bronco	Rear CV; w/ Koyo Sieko & Inside Snap Rings	AA	5	5-3147X*	5-795X**	15-3147X	
	Bronco		AA	6	5-1204X*	5-7438X	15-1204X	
	Bronco		AA	1	5-3226X	5-760X**		
1987-1996	Bronco		AA	2,3,6	5-1204X*	5-7438X	15-1204X	
1988	Bronco	3 Speed; 4 Speed	AA	4,5	5-1203X*			
	Bronco	5 Speed	AA	4,5	5-1204X*	5-7438X	15-1204X	
	Bronco	3 Speed; 4 Speed	AA	2,3	5-1204X*	5-7438X	15-1204X	
1989	Bronco	From 2/89	AA	4,5,6	5-213X*	5-1330-1X* 5-1330X**	15-213X	
	Bronco	5 Speed	JA	2	5-1204X*	5-7438X	15-1204X	
	Bronco	5 Speed; Front CV	JA	3	5-3147X*	5-795X**	15-3147X	
	Bronco	5 Speed; Rear CV	JA	4	5-212X*	5-793X**		
	Bronco	3 Speed; 4 Speed; To 1/89	JA	5	5-213X*	5-1330-1X* 5-1330X**	15-213X	
	Bronco	5 Speed; To 1/89	JA	5,6	5-1204X*	5-7438X	15-1204X	
	Bronco	To 1/89	JA	7	5-1204X*	5-7438X	15-1204X	
	1990-1996	Bronco		AA	2,3	5-1204X*	5-7438X	15-1204X
	1991	Bronco	4.9L; 5.8L	AA	4,5,6	5-213X*	5-1330-1X* 5-1330X**	15-213X
		Bronco	5.0L; Automatic; 4 Speed	AA	4,5,6	5-153X*	5-1310-1X* 5-1310X**	15-153X
Bronco		5.0L; Standard; 4 Speed	AA	4,5,6	5-213X*	5-1330-1X* 5-1330X**	15-213X	
1992-1996	Bronco		AA	4,5,6	5-213X*	5-1330-1X* 5-1330X**	15-213X	
1984	Bronco II		AA	1	5-3215X			
	Bronco II		AA	2,3	5-153X*	5-1310-1X* 5-1310X**	15-153X	
	Bronco II		AA	4,5,6	5-443X			
	Bronco II		AA	CV	211342X			
1985	Bronco II	To 1/85	AA	1	5-3215X			
	Bronco II	To 1/85	AA	2,3	5-153X*	5-1310-1X* 5-1310X**	15-153X	
	Bronco II	To 1/85	AA	4,5,6	5-443X			
	Bronco II	From 1/85	JA	2,3,4	5-153X*	5-1310-1X* 5-1310X**	15-153X	
1986	Bronco II	w/o CV at Transfer Case	AA	2,3	5-153X*	5-1310-1X* 5-1310X**	15-153X	
	Bronco II	w/ CV at Transfer Case	JA	1	5-3215X			
	Bronco II	w/ CV at Transfer Case	JA	2,3,4	5-153X*	5-1310-1X* 5-1310X**	15-153X	
1987-1989	Bronco II		Y	1	5-3215X			
1987-1990	Bronco II		Y	2,3	5-153X*	5-1310-1X* 5-1310X**	15-153X	
1990	Bronco II	Dana Model 28 Axle	Y	1	5-3215X			
	Bronco II	Dana Model 35 Axle	Y	1	5-3226X	5-760X**		
2000	Excursion	V8 5.4L; 1 Piece Driveshaft	I	5,6	5-178X*	5-1350-1X* 5-1350X**	15-178X	
2000-2002	Excursion	1 Piece Driveshaft	I	2,3,4	5-178X*	5-1350-1X* 5-1350X**	15-178X	

\* GREASEABLE \*\* NON-GREASEABLE



**Ford (Cont'd)**

Year	Model	Description	Fig.	Location	Spicer Part #	SPL Part #	SVL Part #
2000-2005	Excursion	1 Piece Driveshaft	I	1		SPL55-3X** SPL55-4X*	
2001	Excursion	V10 6.8L; 1 Piece Driveshaft; From 04/18/2001	I	5,6	5-178X*	5-1350-1X* 5-1350X**	15-178X
	Excursion	V10 6.8L; 1 Piece Driveshaft; To 04/18/2001	I	5,6	5-160X*	5-1410-1X* 5-1410X**	15-160X
	Excursion	V8 5.4L; 1 Piece Driveshaft; From 04/24/2001	I	5,6	5-178X*	5-1350-1X* 5-1350X**	15-178X
	Excursion	V8 5.4L; 1 Piece Driveshaft; To 04/24/2001	I	5,6	5-178X*	5-1350-1X* 5-1350X**	15-178X
2002	Excursion	1 Piece Driveshaft	I	5,6	5-160X* 5-178X*	5-1350-1X* 5-1350X** 5-1410-1X* 5-1410X**	15-160X 15-178X
2003	Excursion	V8 7.3L; 1 Piece Driveshaft	I	3,4	5-178X*	5-1350-1X* 5-1350X**	15-178X
	Excursion	V8 5.4L; 1 Piece Driveshaft	I	3,4,5,6	5-178X*	5-1350-1X* 5-1350X**	15-178X
	Excursion	V8 6.0L; 1 Piece Driveshaft	I	3,4,5,6	5-160X*	5-1410-1X* 5-1410X**	15-160X
	Excursion	V10 6.8L; 1 Piece Driveshaft	I	5,6	5-160X*	5-1410-1X* 5-1410X**	15-160X
	Excursion	V8 7.3L; 1 Piece Driveshaft	I	5,6	5-160X*	5-1410-1X* 5-1410X**	15-160X
2003-2005	Excursion	1 Piece Driveshaft	I	2	5-178X*	5-1350-1X* 5-1350X**	15-178X
	Excursion	V10 6.8L; 1 Piece Driveshaft	I	3,4	5-178X*	5-1350-1X* 5-1350X**	15-178X
2004-2005	Excursion	V8 5.4L; 1 Piece Driveshaft	I	3,4	5-178X*	5-1350-1X* 5-1350X**	15-178X
	Excursion	V8 6.0L; 1 Piece Driveshaft	I	3,4	5-160X*	5-1410-1X* 5-1410X**	15-160X
	Excursion	1 Piece Driveshaft	I	5,6	5-160X*	5-1410-1X* 5-1410X**	15-160X
1997-1999	Expedition		L	2,3	5-213X*	5-1330-1X* 5-1330X**	15-213X
	Expedition	w/ Adjustable Suspension	L	4,5	5-178X*	5-1350-1X* 5-1350X**	15-178X
	Expedition	w/ Standard Suspension	L	4,5	5-213X*	5-1330-1X* 5-1330X**	15-213X
2000	Expedition	V8 4.6L; 1 Piece Driveshaft; Automatic Adjustable Suspension	L	4	5-178X*	5-1350-1X* 5-1350X**	15-178X
	Expedition	V8 5.4L; 1 Piece Driveshaft; Automatic Adjustable Suspension	L	4	5-178X*	5-1350-1X* 5-1350X**	15-178X

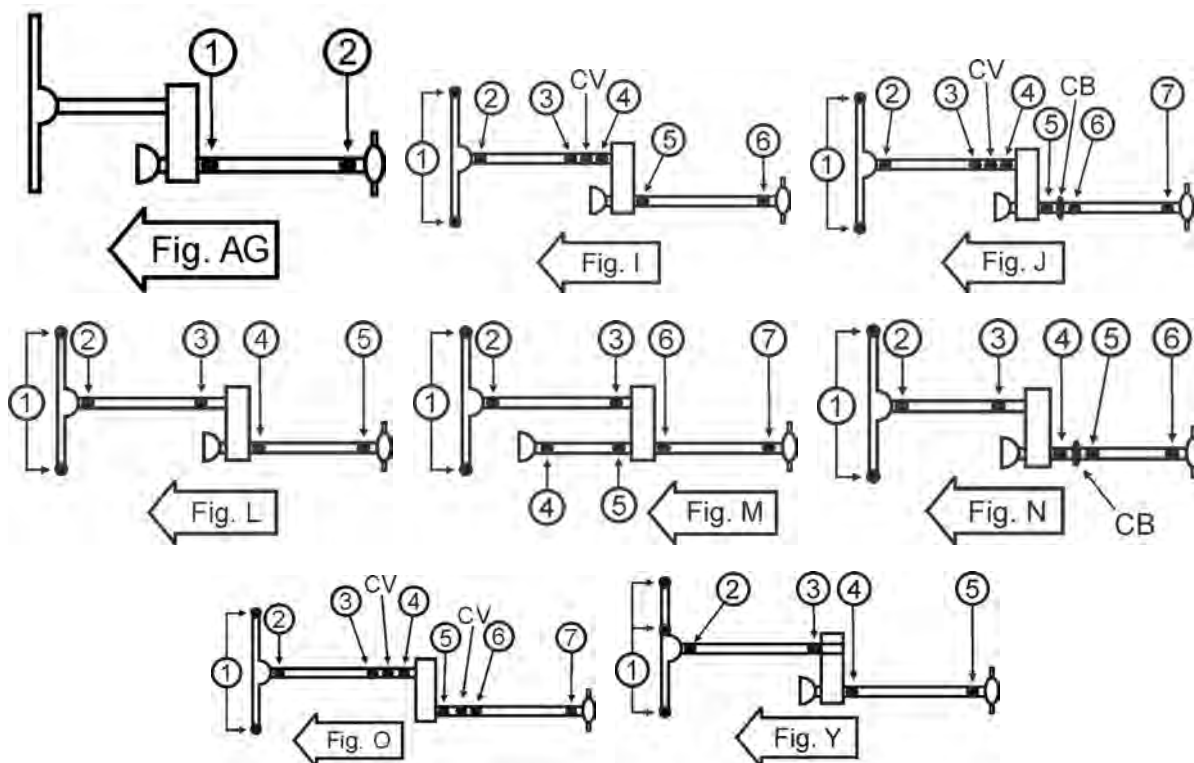
\* GREASEABLE \*\* NON-GREASEABLE

4  
W  
D

**Ford (Cont'd)**

Year	Model	Description	Fig.	Location	Spicer Part #	SPL Part #	SVL Part #
2000	Expedition	1 Piece Driveshaft; Automatic Adjustable Suspension	L	5	5-178X*	5-1350-1X* 5-1350X**	15-178X
2000-2001	Expedition	V8 4.6L; 1 Piece Driveshaft; Standard Duty Suspension	L	4,5	5-213X*	5-1330-1X* 5-1330X**	15-213X
2000-2002	Expedition	V8 5.4L; 1 Piece Driveshaft; Standard Duty Suspension	L	4,5	5-178X*	5-1350-1X* 5-1350X**	15-178X
2000-2006	Expedition	1 Piece Driveshaft	L	2,3	5-213X*	5-1330-1X* 5-1330X**	15-213X
2001	Expedition	V8 4.6L; 1 Piece Driveshaft; Automatic Adjustable Suspension	L	4,5	5-178X*	5-1350-1X* 5-1350X**	15-178X
2001-2002	Expedition	V8 5.4L; 1 Piece Driveshaft; Automatic Adjustable Suspension	L	4,5	5-178X*	5-1350-1X* 5-1350X**	15-178X
2002	Expedition	V8 4.6L; 1 Piece Driveshaft	L	4,5	5-178X*	5-1350-1X* 5-1350X**	15-178X
2003-2006	Expedition	1 Piece Driveshaft	L	4,5	5-178X*	5-1350-1X* 5-1350X**	15-178X
2007-2008	Expedition	Exc. Max Eddie Bauer & Max Limited; 1 Piece Driveshaft	AG	1,2	5-178X*	5-1350-1X* 5-1350X**	15-178X
2009-2010	Expedition	Exc. Max Eddie Bauer, Max King Ranch & Max Limited; 1 Piece Driveshaft	AG	1,2	5-178X*	5-1350-1X* 5-1350X**	15-178X
2011	Expedition	Exc. Max King Ranch, Max Limited & Max XL; 1 Piece Driveshaft	AG	1,2	5-178X*	5-1350-1X* 5-1350X**	15-178X
2012-2016	Expedition	Exc. Max Limited; 1 Piece Driveshaft	AG	1,2	5-178X*	5-1350-1X* 5-1350X**	15-178X
2017	Expedition	1 Piece Driveshaft	AG	1,2	5-178X*	5-1350-1X* 5-1350X**	15-178X
1991-1994	Explorer	Dana Model 28 Axle	I	1	5-3215X		
	Explorer	Dana Model 35 Axle	I	1	5-3226X	5-760X**	
	Explorer		I	2,3,4	5-153X*	5-1310-1X* 5-1310X**	15-153X
	Explorer	2 Door	I	5,6	5-153X*	5-1310-1X* 5-1310X**	15-153X
	Explorer	4 Door; Auto Trans	I	5,6	5-153X*	5-1310-1X* 5-1310X**	15-153X
	Explorer	4 Door; Standard Trans	I	5,6	5-213X*	5-1330-1X* 5-1330X**	15-213X
1995-1996	Explorer		L	2,3	5-153X*	5-1310-1X* 5-1310X**	15-153X
	Explorer	2 Door	L	4	5-153X*	5-1310-1X* 5-1310X**	15-153X
	Explorer	4 Door	L	4	5-213X*	5-1330-1X* 5-1330X**	15-213X
	Explorer		L	5	5-213X*	5-1330-1X* 5-1330X**	15-213X
1997-2006	Explorer		L	4,5	5-213X*	5-1330-1X* 5-1330X**	15-213X
1997-2011	Explorer		L	2	5-153X*	5-1310-1X* 5-1310X**	15-153X
2007-2011	Explorer		L	4,5	5-178X*	5-1350-1X* 5-1350X**	15-178X
2001-2005	Explorer Sport Trac		L	4,5	5-213X*	5-1330-1X* 5-1330X**	15-213X
2007-2010	Explorer Sport Trac		L	2	5-153X*	5-1310-1X* 5-1310X**	15-153X
1960-1965	F-100		M	2,3	5-134X*		15-134X
	F-100		M	4,5	5-153X*	5-1310-1X* 5-1310X**	15-153X
	F-100		M	6,7	5-134X*		15-134X
1965-1966	F-100	w/ Inside Snap Rings	M	1	5-260X**		15-260X
	F-100	w/ Outside Snap Rings	M	1	5-178X*	5-1350-1X* 5-1350X**	15-178X
1966	F-100		N	2,3	5-134X*		15-134X
	F-100		N	4	5-153X*	5-1310-1X* 5-1310X**	15-153X

\* GREASEABLE \*\* NON-GREASEABLE



Ford (Cont'd)

Year	Model	Description	Fig.	Location	Spicer Part #	SPL Part #	SVL Part #
1966	F-100		N	5,6	5-134X*		15-134X
1967-1968	F-100	2 Piece Driveshaft; w/ Inside Snap Rings	N	1	5-260X**		15-260X
	F-100	2 Piece Driveshaft; w/ Outside Snap Rings	N	1	5-178X*	5-1350-1X* 5-1350X**	15-178X
	F-100	1 Piece Driveshaft; w/ Inside Snap Rings	Y	1	5-260X**		15-260X
	F-100	1 Piece Driveshaft; w/ Outside Snap Rings	Y	1	5-178X*	5-1350-1X* 5-1350X**	15-178X
	F-100	1 Piece Driveshaft	Y	2,3,4,5	5-153X*	5-1310-1X* 5-1310X**	15-153X
1970-1973	F-100	1 Piece Driveshaft	L	1	5-3226X	5-760X**	
	F-100	1 Piece Driveshaft	L	2,3,4,5	5-153X*	5-1310-1X* 5-1310X**	15-153X
	F-100	2 Piece Driveshaft	N	1	5-3226X	5-760X**	
	F-100	2 Piece Driveshaft	N	2,3,4,5,6	5-153X*	5-1310-1X* 5-1310X**	15-153X
1974-1975	F-100	1 Piece Driveshaft	I	2,3,4,5,6	5-153X*	5-1310-1X* 5-1310X**	15-153X
	F-100	2 Piece Driveshaft	J	1	5-3226X	5-760X**	
	F-100	2 Piece Driveshaft	J	2,3,4,5,6,7	5-153X*	5-1310-1X* 5-1310X**	15-153X
1974-1976	F-100	1 Piece Driveshaft	I	1	5-3226X	5-760X**	
1976	F-100	1 Piece Driveshaft	I	2,3,4	5-153X*	5-1310-1X* 5-1310X**	15-153X
	F-100	1 Piece Driveshaft	I	5,6	5-3226X	5-760X**	
	F-100	2 Piece Driveshaft; w/ CV at Transfer Case	J	1	5-3226X	5-760X**	
	F-100	2 Piece Driveshaft; w/ CV at Transfer Case	J	2,3,4	5-153X*	5-1310-1X* 5-1310X**	15-153X
	F-100	2 Piece Driveshaft; w/ CV at Transfer Case	J	5,6,7	5-3226X	5-760X**	
	F-100	2 Piece Driveshaft; w/ CV at Trans	O	5,6,7	5-153X*	5-1310-1X* 5-1310X**	15-153X

\* GREASEABLE \*\* NON-GREASEABLE

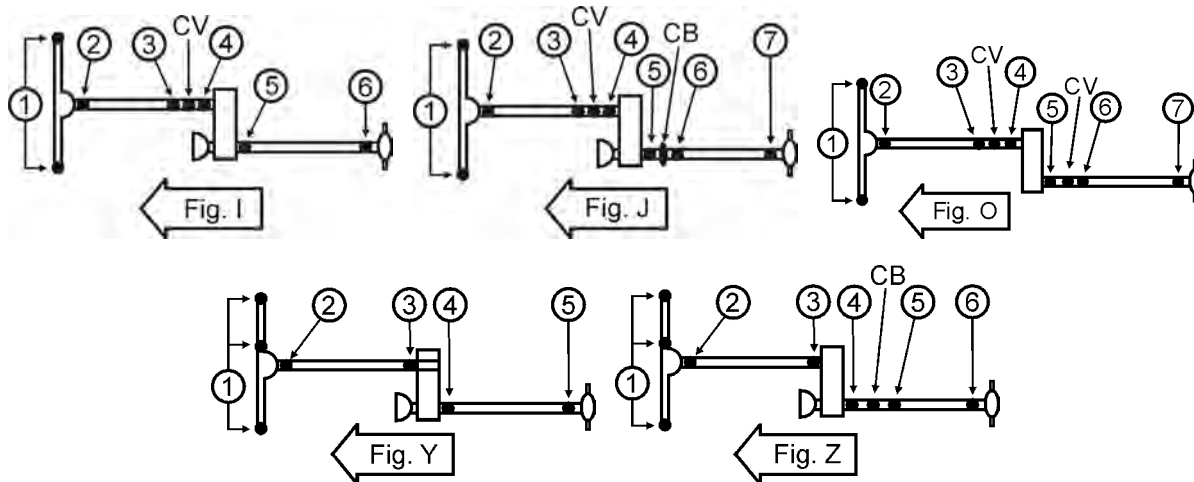
4  
W  
D

**Ford (Cont'd)**

Year	Model	Description	Fig.	Location	Spicer Part #	SPL Part #	SVL Part #
1976	F-150	2 Piece Driveshaft; w/o Double Cardan CV Joint	J	5,6,7	5-153X*	5-1310-1X* 5-1310X**	15-153X
	F-150	2 Piece Driveshaft; w/ Double Cardan CV Joint	0	5,6,7	5-153X*	5-1310-1X* 5-1310X**	15-153X
1976-1977	F-150	1 Piece Driveshaft	I	1	5-3226X	5-760X**	
	F-150	1 Piece Driveshaft; w/ Full Time Transfer Case	I	2,3,4	5-153X*	5-1310-1X* 5-1310X**	15-153X
	F-150	1 Piece Driveshaft; w/ Part Time Transfer Case	I	2,3,4	5-153X*	5-1310-1X* 5-1310X**	15-153X
	F-150	1 Piece Driveshaft	I	5,6	5-153X*	5-1310-1X* 5-1310X**	15-153X
	F-150	2 Piece Driveshaft	J	1	5-3226X	5-760X**	
	F-150	2 Piece Driveshaft; w/ Full Time Transfer Case	J	2,3,4	5-153X*	5-1310-1X* 5-1310X**	15-153X
	F-150	2 Piece Driveshaft; w/ Part Time Transfer Case	J	2,3,4	5-153X*	5-1310-1X* 5-1310X**	15-153X
	F-150	2 Piece Driveshaft; w/o Double Cardan CV Joint; w/ 3.875" O.D. Yoke	J	5,6	5-153X*	5-1310-1X* 5-1310X**	15-153X
1977	F-150	2 Piece Driveshaft; w/o Double Cardan CV Joint; w/ 3.500" O.D. Yoke	J	5,6,7	5-153X*	5-1310-1X* 5-1310X**	15-153X
	F-150	2 Piece Driveshaft; w/o Double Cardan CV Joint; w/ 3.875" O.D. Yoke	J	7	5-213X*	5-1330-1X* 5-1330X**	15-213X
	F-150	2 Piece Driveshaft; w/ Double Cardan CV Joint; w/ 3.875" O.D. Yoke	0	5,6	5-153X*	5-1310-1X* 5-1310X**	15-153X
	F-150	2 Piece Driveshaft; w/ Double Cardan CV Joint; w/ 3.500" O.D. Yoke	0	5,6,7	5-153X*	5-1310-1X* 5-1310X**	15-153X
	F-150	2 Piece Driveshaft; w/ Double Cardan CV Joint; w/ 3.875" O.D. Yoke	0	7	5-213X*	5-1330-1X* 5-1330X**	15-213X
	F-150	2 Piece Driveshaft; w/ Double Cardan CV Joint; w/ 3.875" O.D. Yoke	0	1	5-3226X	5-760X**	
1978	F-150	w/ 3.500" O.D. Yoke	0	2,3,4	5-153X*	5-1310-1X* 5-1310X**	15-153X
	F-150	w/ 3.875" O.D. Yoke	0	2,3,4	5-213X*	5-1330-1X* 5-1330X**	15-213X
	F-150	w/ Part Time Transfer Case	0	5,6	5-153X*	5-1310-1X* 5-1310X**	15-153X
	F-150	4.9L; w/ Full Time Transfer Case	0	5,6,7	5-153X*	5-1310-1X* 5-1310X**	15-153X
	F-150	5.0L; w/ Full Time Transfer Case	0	5,6,7	5-153X*	5-1310-1X* 5-1310X**	15-153X
	F-150	5.8L; w/ Full Time Transfer Case	0	5,6,7	5-153X*	5-1310-1X* 5-1310X**	15-153X
	F-150	6.6L; w/ Full Time Transfer Case	0	5,6,7	5-213X*	5-1330-1X* 5-1330X**	15-213X
	F-150	7.5L; w/ Full Time Transfer Case	0	5,6,7	5-153X*	5-1310-1X* 5-1310X**	15-153X
	F-150	w/ Part Time Transfer Case	0	7	5-213X*	5-1330-1X* 5-1330X**	15-213X
	F-150	155.0" WB; 2 Piece Driveshaft	J	5,6	5-213X*	5-1330-1X* 5-1330X**	15-213X
1979	F-150	155.0" WB; 2 Piece Driveshaft	J	7	5-1204X*	5-7438X	15-1204X
	F-150	2 Piece Driveshaft	0	1	5-3226X	5-760X**	
	F-150	2 Piece Driveshaft; w/ Full Time Transfer Case	0	2,3,4	5-213X*	5-1330-1X* 5-1330X**	15-213X
	F-150	2 Piece Driveshaft; w/ Part Time Transfer Case	0	2,3,4	5-213X*	5-1330-1X* 5-1330X**	15-213X
	F-150	117.0" WB; 2 Piece Driveshaft; w/ Double Cardan CV Joint	0	5,6	5-213X*	5-1330-1X* 5-1330X**	15-213X
	F-150	133.0" WB; 2 Piece Driveshaft; w/ Double Cardan CV Joint	0	5,6	5-213X*	5-1330-1X* 5-1330X**	15-213X
	F-150	117.0" WB; 2 Piece Driveshaft; w/ Double Cardan CV Joint	0	7	5-1204X*	5-7438X	15-1204X
	F-150	133.0" WB; 2 Piece Driveshaft; w/ Double Cardan CV Joint	0	7	5-1204X*	5-7438X	15-1204X

\* GREASEABLE \*\* NON-GREASEABLE





Ford (Cont'd)

Year	Model	Description	Fig.	Location	Spicer Part #	SPL Part #	SVL Part #
1980-1981	F-150	1 Piece Driveshaft; From Serial No. GJ0,001	Y	2	5-213X*	5-1330-1X* 5-1330X**	15-213X
	F-150	1 Piece Driveshaft; To Serial No. GJ0,000	Y	2	5-1204X*	5-7438X	15-1204X
	F-150	1 Piece Driveshaft; From Serial No. GJ0,001	Y	3	5-1204X*	5-7438X	15-1204X
	F-150	1 Piece Driveshaft; To Serial No. GJ0,000	Y	3	5-213X*	5-1330-1X* 5-1330X**	15-213X
	F-150	1 Piece Driveshaft; 1.125" Cup Dia.	Y	4,5	5-1204X*	5-7438X	15-1204X
	F-150	2 Piece Driveshaft; From Serial No. GJ0,001	Z	2	5-213X*	5-1330-1X* 5-1330X**	15-213X
	F-150	2 Piece Driveshaft; To Serial No. GJ0,000	Z	2	5-1204X*	5-7438X	15-1204X
	F-150	2 Piece Driveshaft; From Serial No. GJ0,001	Z	3	5-1204X*	5-7438X	15-1204X
	F-150	2 Piece Driveshaft; To Serial No. GJ0,000	Z	3	5-213X*	5-1330-1X* 5-1330X**	15-213X
1980-1985	F-150	2 Piece Driveshaft; 1.125" Cup Dia.	Z	4,5,6	5-1204X*	5-7438X	15-1204X
	F-150	1 Piece Driveshaft	Y	1	5-3226X	5-760X**	
F-150	2 Piece Driveshaft	Z	1	5-3226X	5-760X**		
1982-1985	F-150	2 Piece Driveshaft; 1.125" Cup Dia.	Z	2,3,4,5,6	5-1204X*	5-7438X	15-1204X
1986-1987	F-150	1 Piece Driveshaft; 1.125" Cup Dia.	Y	2,4,5	5-1204X*	5-7438X	15-1204X
	F-150	1 Piece Driveshaft; 1.062" Cup Dia.	Y	3,4,5	5-213X*	5-1330-1X* 5-1330X**	15-213X
	F-150	2 Piece Driveshaft; 1.125" Cup Dia.	Z	2,4,6	5-1204X*	5-7438X	15-1204X
	F-150	2 Piece Driveshaft; 1.062" Cup Dia.	Z	3,4,5,6	5-213X*	5-1330-1X* 5-1330X**	15-213X
1988-1989	F-150	1 Piece Driveshaft; 1.125" Cup Dia.	Y	2,3,4,5	5-1204X*	5-7438X	15-1204X
	F-150	1 Piece Driveshaft; 1.062" Cup Dia.	Y	4,5	5-213X*	5-1330-1X* 5-1330X**	15-213X
	F-150	2 Piece Driveshaft; 1.125" Cup Dia.	Z	2,3,4,6	5-1204X*	5-7438X	15-1204X
	F-150	2 Piece Driveshaft; 1.062" Cup Dia.	Z	4,5,6	5-213X*	5-1330-1X* 5-1330X**	15-213X
1990	F-150	1 Piece Driveshaft	Y	2,3,5	5-1204X*	5-7438X	15-1204X
	F-150	1 Piece Driveshaft; w/ U-Bolts	Y	4	5-1204X*	5-7438X	15-1204X
	F-150	1 Piece Driveshaft; w/o U-Bolts	Y	4	5-213X*	5-1330-1X* 5-1330X**	15-213X
	F-150	2 Piece Driveshaft; w/ U-Bolts	Z	4	5-1204X*	5-7438X	15-1204X
	F-150	2 Piece Driveshaft; w/o U-Bolts	Z	4	5-213X*	5-1330-1X* 5-1330X**	15-213X
	F-150	2 Piece Driveshaft	Z	6	5-1204X*	5-7438X	15-1204X
	F-150	2 Piece Driveshaft	Z	5	5-213X*	5-1330-1X* 5-1330X**	15-213X
1990-1996	F-150	2 Piece Driveshaft	Z	2,3	5-1204X*	5-7438X	15-1204X
	F-150	2 Piece Driveshaft	Z	5	5-213X*	5-1330-1X* 5-1330X**	15-213X
1991-1996	F-150	1 Piece Driveshaft	Y	2,3	5-1204X*	5-7438X	15-1204X
	F-150	1 Piece Driveshaft; w/ U-Bolts	Y	4,5	5-1204X*	5-7438X	15-1204X

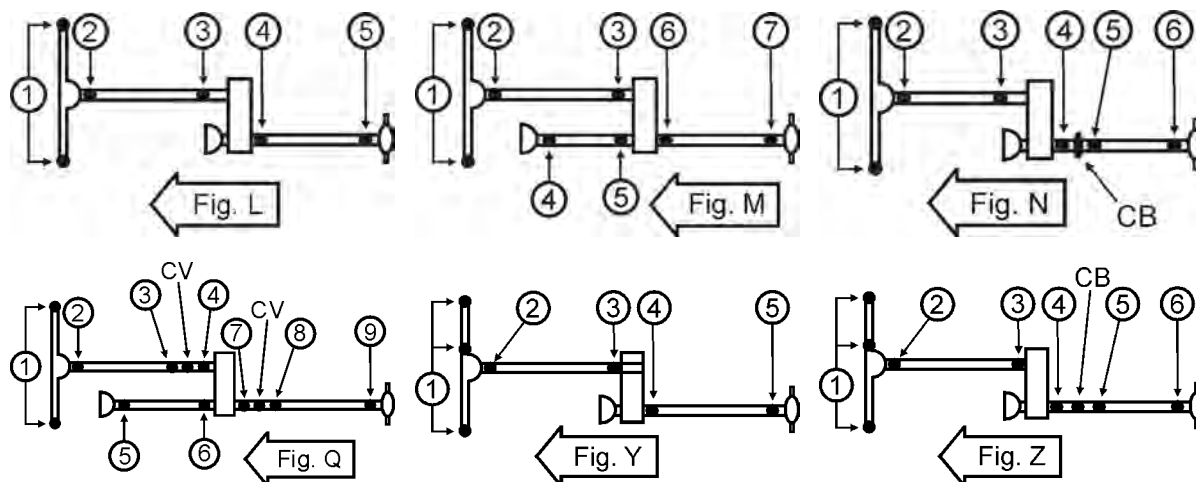
\* GREASEABLE \*\* NON-GREASEABLE

4  
W  
D

**Ford (Cont'd)**

Year	Model	Description	Fig.	Location	Spicer Part #	SPL Part #	SVL Part #
1991-1996	F-150	1 Piece Driveshaft; w/o U-Bolts	Y	4,5	5-213X*	5-1330-1X* 5-1330X**	15-213X
	F-150	2 Piece Driveshaft; w/ U-Bolts	Z	4,6	5-1204X*	5-7438X	15-1204X
	F-150	2 Piece Driveshaft; w/o U-Bolts	Z	4,6	5-213X*	5-1330-1X* 5-1330X**	15-213X
1997-2000	F-150	4.2L; Standard Cab; 1 Piece Driveshaft	Y	4,5	5-213X*	5-1330-1X* 5-1330X**	15-213X
	F-150	4.6L; Standard Cab; 1 Piece Driveshaft	Y	4,5	5-213X*	5-1330-1X* 5-1330X**	15-213X
	F-150	5.4L; Standard Cab; 1 Piece Driveshaft	Y	4,5	5-178X*	5-1350-1X* 5-1350X**	15-178X
	F-150	4.2L; Standard Cab; 2 Piece Driveshaft	Z	4,6	5-213X*	5-1330-1X* 5-1330X**	15-213X
	F-150	4.6L; Standard Cab; 2 Piece Driveshaft	Z	4,6	5-213X*	5-1330-1X* 5-1330X**	15-213X
	F-150	5.4L; Standard Cab; 2 Piece Driveshaft	Z	4,6	5-178X*	5-1350-1X* 5-1350X**	15-178X
	F-150	5.4L; Standard Cab; 2 Piece Driveshaft	Z	4,6	5-178X*	5-1350-1X* 5-1350X**	15-178X
1997-2003	F-150	Extended Cab; 1 Piece Driveshaft	Y	4,5	5-178X*	5-1350-1X* 5-1350X**	15-178X
	F-150	Extended Cab; 2 Piece Driveshaft	Z	4,5,6	5-178X*	5-1350-1X* 5-1350X**	15-178X
1997-2004	F-150	1 Piece Driveshaft	Y	2,3	5-213X*	5-1330-1X* 5-1330X**	15-213X
	F-150	2 Piece Driveshaft	Z	2,3	5-213X*	5-1330-1X* 5-1330X**	15-213X
2001-2003	F-150	4.2L; Standard Cab; 66.0" Bed; 1 Piece Driveshaft	Y	4,5	5-213X*	5-1330-1X* 5-1330X**	15-213X
	F-150	4.6L; Standard Cab; 66.0" Bed; 1 Piece Driveshaft	Y	4,5	5-213X*	5-1330-1X* 5-1330X**	15-213X
	F-150	5.4L; Standard Cab; 66.0" Bed; 1 Piece Driveshaft	Y	4,5	5-178X*	5-1350-1X* 5-1350X**	15-178X
	F-150	Crew Cab; 1 Piece Driveshaft	Y	4,5	5-178X*	5-1350-1X* 5-1350X**	15-178X
	F-150	Crew Cab; 2 Piece Driveshaft	Z	4,5,6	5-178X*	5-1350-1X* 5-1350X**	15-178X
	F-150	4.2L; Standard Cab; 66.0" Bed; 2 Piece Driveshaft	Z	4,6	5-213X*	5-1330-1X* 5-1330X**	15-213X
	F-150	4.6L; Standard Cab; 66.0" Bed; 2 Piece Driveshaft	Z	4,6	5-213X*	5-1330-1X* 5-1330X**	15-213X
	F-150	5.4L; Standard Cab; 66.0" Bed; 2 Piece Driveshaft	Z	4,6	5-178X*	5-1350-1X* 5-1350X**	15-178X
2004	F-150	1 Piece Driveshaft	Y	4,5	5-178X*	5-1350-1X* 5-1350X**	15-178X
	F-150	2 Piece Driveshaft	Z	4,5,6	5-178X*	5-1350-1X* 5-1350X**	15-178X
2005-2007	F-150	1 Piece Driveshaft	L	2,3	5-213X*	5-1330-1X* 5-1330X**	15-213X
	F-150	2 Piece Driveshaft	N	2,3	5-213X*	5-1330-1X* 5-1330X**	15-213X
2008-2014	F-150	1 Piece Driveshaft	L	2,3,4,5	5-178X*	5-1350-1X* 5-1350X**	15-178X
	F-150	2 Piece Driveshaft	N	2,3,4,5,6	5-178X*	5-1350-1X* 5-1350X**	15-178X
2015-2017	F-150	1 Piece Driveshaft	L	4,5	5-178X*	5-1350-1X* 5-1350X**	15-178X
	F-150	2 Piece Driveshaft	N	4,5,6	5-178X*	5-1350-1X* 5-1350X**	15-178X
2004	F-150 Heritage	1 Piece Driveshaft	Y	2,3	5-213X*	5-1330-1X* 5-1330X**	15-213X
	F-150 Heritage	1 Piece Driveshaft	Y	4,5	5-178X*	5-1350-1X* 5-1350X**	15-178X
	F-150 Heritage	2 Piece Driveshaft	Z	2,3	5-213X*	5-1330-1X* 5-1330X**	15-213X
	F-150 Heritage	2 Piece Driveshaft	Z	4,5,6	5-178X*	5-1350-1X* 5-1350X**	15-178X

\* GREASEABLE \*\* NON-GREASEABLE



Ford (Cont'd)

Year	Model	Description	Fig.	Location	Spicer Part #	SPL Part #	SVL Part #
1960-1972	F-250		M	2,3	5-134X*		15-134X
	F-250		M	4,5	5-153X*	5-1310-1X* 5-1310X**	15-153X
	F-250		M	6,7	5-134X*		15-134X
1960-1974	F-250	w/ Inside Snap Rings	M	1	5-260X**		15-260X
	F-250	w/ Outside Snap Rings	M	1	5-178X*	5-1350-1X* 5-1350X**	15-178X
1973-1974	F-250		M	2,3,4,5,6,7	5-134X*		15-134X
1975-1976	F-250	1 Piece Driveshaft; w/ Part Time Transfer Case; w/ 3.500" O.D. Yoke	M	4,5	5-153X*	5-1310-1X* 5-1310X**	15-153X
	F-250	133.0" WB; 1 Piece Driveshaft; w/ Part Time Transfer Case	M	6,7	5-134X*		15-134X
	F-250	155.0" WB; 1 Piece Driveshaft; w/ Part Time Transfer Case	M	6,7	5-153X*	5-1310-1X* 5-1310X**	15-153X
	F-250	2 Piece Driveshaft; w/ Full Time Transfer Case	Q	2,3,4	5-153X*	5-1310-1X* 5-1310X**	15-153X
	F-250	2 Piece Driveshaft; w/ Full Time Transfer Case	Q	5	5-134X*		15-134X
	F-250	2 Piece Driveshaft; w/ Full Time Transfer Case	Q	6,7,9	5-153X*	5-1310-1X* 5-1310X**	15-153X
1975-1977	F-250	1 Piece Driveshaft; w/ Part Time Transfer Case; w/ Inside Snap Rings	M	1	5-3226X	5-760X**	
	F-250	1 Piece Driveshaft; w/ Part Time Transfer Case; w/ Outside Snap Rings	M	1	5-178X*	5-1350-1X* 5-1350X**	15-178X
	F-250	1 Piece Driveshaft; w/ Part Time Transfer Case	M	2,3	5-134X*		15-134X
	F-250	2 Piece Driveshaft; w/ Full Time Transfer Case; w/ Inside Snap Rings	Q	1	5-3226X	5-760X**	
	F-250	2 Piece Driveshaft; w/ Full Time Transfer Case; w/ Outside Snap Rings	Q	1	5-178X*	5-1350-1X* 5-1350X**	15-178X
1976	F-250	1 Piece Driveshaft; w/ Part Time Transfer Case; w/ 3.875" O.D. Yoke	M	4,5	5-134X*		15-134X
1977	F-250	1 Piece Driveshaft; w/ Part Time Transfer Case; w/ 3.500" O.D. Yoke; w/ 3.875" O.D. Yoke	M	4,5	5-134X*		15-134X
	F-250	1 Piece Driveshaft; w/ Part Time Transfer Case; w/ 3.875" O.D. Yoke	M	4,5	5-213X*	5-1330-1X* 5-1330X**	15-213X
	F-250	1 Piece Driveshaft; w/ Part Time Transfer Case	M	6,7	5-213X*	5-1330-1X* 5-1330X**	15-213X
	F-250	2 Piece Driveshaft; w/ Full Time Transfer Case	Q	2,3,4,7,9	5-153X*	5-1310-1X* 5-1310X**	15-153X
	F-250	2 Piece Driveshaft; w/ Full Time Transfer Case; w/ 3.875" O.D. Yoke	Q	5,6	5-213X*	5-1330-1X* 5-1330X**	15-213X

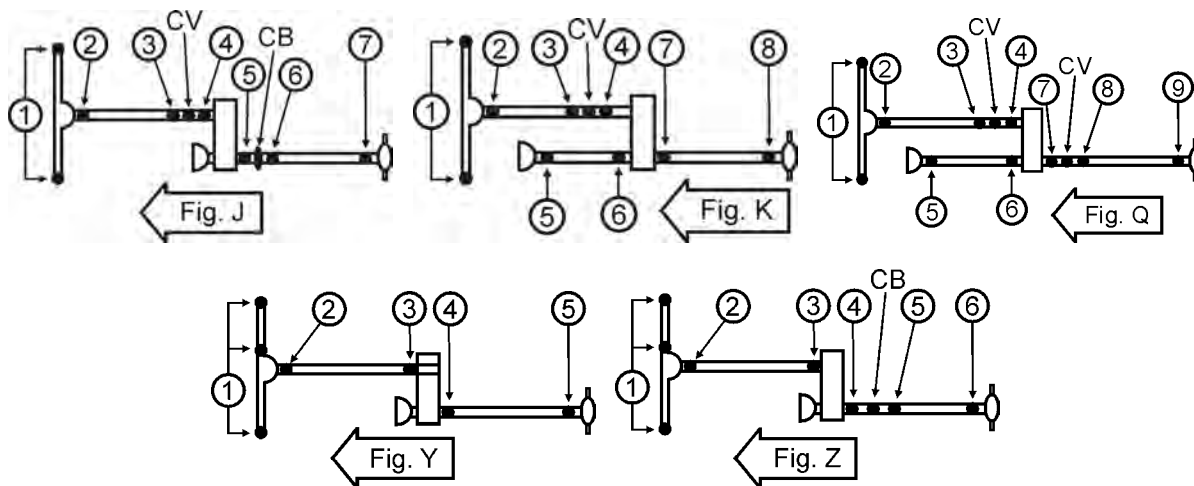
\* GREASEABLE \*\* NON-GREASEABLE

4 WD

**Ford (Cont'd)**

Year	Model	Description	Fig.	Location	Spicer Part #	SPL Part #	SVL Part #
1977	F-250	2 Piece Driveshaft; w/ Full Time Transfer Case; w/ 3.875" O.D. Yoke; w/ 3.500" O.D. Yoke	Q	5,6	5-134X*		15-134X
1978	F-250	w/ H/D Axle	K	1		SPL55-3X** SPL55-4X*	
	F-250	w/ Heavy Duty Axle	K	1		SPL55-3X** SPL55-4X*	
	F-250	w/ Standard Axle	K	1	5-3226X	5-760X**	
	F-250		K	2	5-213X*	5-1330-1X* 5-1330X**	15-213X
	F-250		K	3,4	5-153X*	5-1310-1X* 5-1310X**	15-153X
	F-250	w/ 3.500" O.D. Yoke	K	5,6	5-153X*	5-1310-1X* 5-1310X**	15-153X
	F-250	w/ 3.875" O.D. Yoke	K	5,6	5-213X*	5-1330-1X* 5-1330X**	15-213X
	F-250		K	7,8	5-213X*	5-1330-1X* 5-1330X**	15-213X
1979	F-250	w/ H/D Axle	J	1		SPL55-3X** SPL55-4X*	
	F-250	w/ Heavy Duty Axle	J	1		SPL55-3X** SPL55-4X*	
	F-250	w/ Standard Axle	J	1	5-3226X	5-760X**	
	F-250		J	2	5-1204X*	5-7438X	15-1204X
	F-250		J	3,4	5-213X*	5-1330-1X* 5-1330X**	15-213X
	F-250	Cab & Chassis	J	5	5-213X*	5-1330-1X* 5-1330X**	15-213X
	F-250	Extended Cab	J	5	5-213X*	5-1330-1X* 5-1330X**	15-213X
	F-250	Standard Cab	J	5	5-213X*	5-1330-1X* 5-1330X**	15-213X
	F-250	Crew Cab	J	5,6	5-213X*	5-1330-1X* 5-1330X**	15-213X
	F-250	Cab & Chassis	J	7	5-1204X*	5-7438X	15-1204X
	F-250	Crew Cab	J	7	5-1204X*	5-7438X	15-1204X
	F-250	Extended Cab	J	7	5-1204X*	5-7438X	15-1204X
	1980-1981	F-250	w/ U-Bolts	Y	2,3	5-1204X*	5-7438X
F-250		w/o U-Bolts	Y	2,3	5-1204X*	5-7438X	15-1204X
F-250		Standard Cab	J	7	5-1204X*	5-7438X	15-1204X
1982	F-250	Cab & Chassis	Y	4,5	5-1204X*	5-7438X	15-1204X
	F-250	Extended Cab	Y	4,5	5-1204X*	5-7438X	15-1204X
	F-250	Standard Cab	Y	4,5	5-1204X*	5-7438X	15-1204X
1983	F-250	Cab & Chassis; 1 Piece Driveshaft	Y	4,5	5-1204X*	5-7438X	15-1204X
	F-250	Crew Cab; 1 Piece Driveshaft	Y	4,5	5-1204X*	5-7438X	15-1204X
	F-250	Extended Cab; 1 Piece Driveshaft	Y	4,5	5-1204X*	5-7438X	15-1204X
	F-250	Standard Cab; 1 Piece Driveshaft	Y	4,5	5-1204X*	5-7438X	15-1204X
	F-250	Stripped Chassis; 1 Piece Driveshaft	Y	4,5	5-1204X*	5-7438X	15-1204X
	F-250	Crew Cab; 2 Piece Driveshaft	Z	4	5-1204X*	5-7438X	15-1204X
	F-250	Cab & Chassis; 2 Piece Driveshaft	Z	4,6	5-1204X*	5-7438X	15-1204X
	F-250	Extended Cab; 2 Piece Driveshaft	Z	4,6	5-1204X*	5-7438X	15-1204X
	F-250	Standard Cab; 2 Piece Driveshaft	Z	4,6	5-1204X*	5-7438X	15-1204X
	F-250	Stripped Chassis; 2 Piece Driveshaft	Z	4,6	5-1204X*	5-7438X	15-1204X
1984-1986	F-250	Crew Cab; 2 Piece Driveshaft	Z	5	5-213X*	5-1330-1X* 5-1330X**	15-213X
	F-250	Crew Cab; 2 Piece Driveshaft	Z	6	5-1204X*	5-7438X	15-1204X
	F-250	w/ Standard Axle; w/ Inside Snap Rings	Y	1	5-3226X	5-760X**	
	F-250		Y	2,3	5-1204X*	5-7438X	15-1204X
	F-250		Y	4	5-213X*	5-1330-1X* 5-1330X**	15-213X
	F-250		Y	5	5-1204X*	5-7438X	15-1204X
	F-250		Y	5	5-1204X*	5-7438X	15-1204X

\* GREASEABLE \*\* NON-GREASEABLE



Ford (Cont'd)

Year	Model	Description	Fig.	Location	Spicer Part #	SPL Part #	SVL Part #
1984-1987	F-250	w/ Heavy Duty Axle; w/ Outside Snap Rings	Y	1	5-178X*	5-1350-1X* 5-1350X**	15-178X
1987	F-250	Standard Cab; w/ Standard Axle; w/ Inside Snap Rings	Y	1	5-3226X	5-760X**	
	F-250		Y	2	5-1204X*	5-7438X	15-1204X
	F-250		Y	3	5-213X*	5-1330-1X* 5-1330X**	15-213X
	F-250	Standard Cab; 3 Speed	Y	4	5-213X*	5-1330-1X* 5-1330X**	15-213X
	F-250	Standard Cab; 4 Speed	Y	4	5-213X*	5-1330-1X* 5-1330X**	15-213X
	F-250	Standard Cab; Standard Trans; 5 Speed	Y	4,5	5-178X*	5-1350-1X* 5-1350X**	15-178X
	F-250	Standard Cab; Auto Trans; 3 Speed	Y	5	5-1204X*	5-7438X	15-1204X
	F-250	Standard Cab; Auto Trans; 4 Speed	Y	5	5-1204X*	5-7438X	15-1204X
	F-250	Standard Cab; Standard Trans; 4 Speed	Y	5	5-1204X*	5-7438X	15-1204X
1988	F-250	3 Speed; 1 Piece Driveshaft; w/o Heavy Duty Trans	Y	4	5-213X*	5-1330-1X* 5-1330X**	15-213X
	F-250	4 Speed; 1 Piece Driveshaft; w/o Heavy Duty Trans	Y	4	5-213X*	5-1330-1X* 5-1330X**	15-213X
	F-250	4.9L; Standard Trans; 5 Speed; 1 Piece Driveshaft; Heavy Duty Trans	Y	4	5-213X*	5-1330-1X* 5-1330X**	15-213X
	F-250	5.8L; Standard Trans; 5 Speed; 1 Piece Driveshaft; Heavy Duty Trans	Y	4	5-213X*	5-1330-1X* 5-1330X**	15-213X
	F-250	7.3L; Standard Trans; 5 Speed; 1 Piece Driveshaft; Heavy Duty Trans	Y	4,5	5-178X*	5-1350-1X* 5-1350X**	15-178X
	F-250	7.5L; Standard Trans; 5 Speed; 1 Piece Driveshaft; Heavy Duty Trans	Y	4,5	5-178X*	5-1350-1X* 5-1350X**	15-178X
	F-250	3 Speed; 1 Piece Driveshaft; w/o Heavy Duty Trans	Y	5	5-1204X*	5-7438X	15-1204X
	F-250	4 Speed; 1 Piece Driveshaft; w/o Heavy Duty Trans	Y	5	5-1204X*	5-7438X	15-1204X
	F-250	4.9L; Standard Trans; 5 Speed; 1 Piece Driveshaft; Heavy Duty Trans	Y	5	5-1204X*	5-7438X	15-1204X
	F-250	5.8L; Standard Trans; 5 Speed; 1 Piece Driveshaft; Heavy Duty Trans	Y	5	5-1204X*	5-7438X	15-1204X
	F-250	3 Speed; 2 Piece Driveshaft; w/o Heavy Duty Trans	Z	4,5	5-213X*	5-1330-1X* 5-1330X**	15-213X
	F-250	4 Speed; 2 Piece Driveshaft; w/o Heavy Duty Trans	Z	4,5	5-213X*	5-1330-1X* 5-1330X**	15-213X
	F-250	4.9L; Standard Trans; 5 Speed; 2 Piece Driveshaft; Heavy Duty Trans	Z	4,5	5-213X*	5-1330-1X* 5-1330X**	15-213X

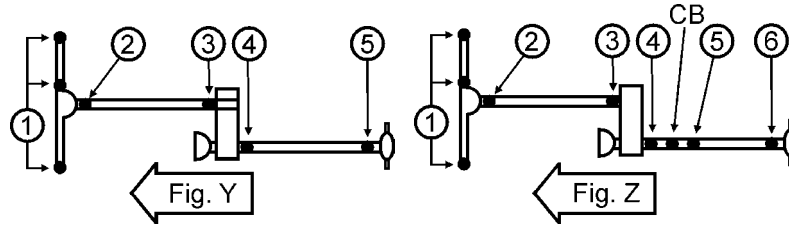
\* GREASEABLE \*\* NON-GREASEABLE

4  
W  
D

**Ford (Cont'd)**

Year	Model	Description	Fig.	Location	Spicer Part #	SPL Part #	SVL Part #
1988	F-250	5.8L; Standard Trans; 5 Speed; 2 Piece Driveshaft; Heavy Duty Trans	Z	4,5	5-213X*	5-1330-1X* 5-1330X**	15-213X
	F-250	7.3L; Standard Trans; 5 Speed; 2 Piece Driveshaft; Heavy Duty Trans	Z	4,5,6	5-178X*	5-1350-1X* 5-1350X**	15-178X
	F-250	7.5L; Standard Trans; 5 Speed; 2 Piece Driveshaft; Heavy Duty Trans	Z	4,5,6	5-178X*	5-1350-1X* 5-1350X**	15-178X
	F-250	3 Speed; 2 Piece Driveshaft; w/o Heavy Duty Trans	Z	6	5-1204X*	5-7438X	15-1204X
	F-250	4 Speed; 2 Piece Driveshaft; w/o Heavy Duty Trans	Z	6	5-1204X*	5-7438X	15-1204X
	F-250	4.9L; Standard Trans; 5 Speed; 2 Piece Driveshaft; Heavy Duty Trans	Z	6	5-1204X*	5-7438X	15-1204X
	F-250	5.8L; Standard Trans; 5 Speed; 2 Piece Driveshaft; Heavy Duty Trans	Z	6	5-1204X*	5-7438X	15-1204X
1988-1989	F-250	1 Piece Driveshaft; w/ Heavy Duty Axle; w/ Outside Snap Rings	Y	1	5-178X*	5-1350-1X* 5-1350X**	15-178X
	F-250	1 Piece Driveshaft; w/ Standard Axle; w/ Inside Snap Rings	Y	1	5-3226X	5-760X**	
	F-250	1 Piece Driveshaft	Y	2,3	5-1204X*	5-7438X	15-1204X
	F-250	2 Piece Driveshaft; w/ Heavy Duty Axle; w/ Outside Snap Rings	Z	1	5-178X*	5-1350-1X* 5-1350X**	15-178X
	F-250	2 Piece Driveshaft; w/ Standard Axle; w/ Inside Snap Rings	Z	1	5-3226X	5-760X**	
	F-250	2 Piece Driveshaft	Z	2,3	5-1204X*	5-7438X	15-1204X
1989	F-250	3 Speed; 1 Piece Driveshaft; w/o H/D	Y	4	5-213X*	5-1330-1X* 5-1330X**	15-213X
	F-250	4 Speed; 1 Piece Driveshaft; w/o H/D	Y	4	5-213X*	5-1330-1X* 5-1330X**	15-213X
	F-250	Standard Trans; 5 Speed; 1 Piece Driveshaft	Y	4,5	5-178X*	5-1350-1X* 5-1350X**	15-178X
	F-250	3 Speed; 1 Piece Driveshaft; w/o H/D	Y	5	5-1204X*	5-7438X	15-1204X
	F-250	4 Speed; 1 Piece Driveshaft; w/o H/D	Y	5	5-1204X*	5-7438X	15-1204X
	F-250	3 Speed; 2 Piece Driveshaft; w/o H/D	Z	4,5	5-213X*	5-1330-1X* 5-1330X**	15-213X
	F-250	4 Speed; 2 Piece Driveshaft; w/o H/D	Z	4,5	5-213X*	5-1330-1X* 5-1330X**	15-213X
	F-250	Standard Trans; 5 Speed; 2 Piece Driveshaft	Z	4,5,6	5-178X*	5-1350-1X* 5-1350X**	15-178X
	F-250	3 Speed; 2 Piece Driveshaft; w/o H/D	Z	6	5-1204X*	5-7438X	15-1204X
	F-250	4 Speed; 2 Piece Driveshaft; w/o H/D	Z	6	5-1204X*	5-7438X	15-1204X
	F-250	1 Piece Driveshaft; w/ Heavy Duty 4600 lb. Axle; w/ Outside Snap Rings	Y	1	5-178X*	5-1350-1X* 5-1350X**	15-178X
1990-1996	F-250	1 Piece Driveshaft; w/ Standard 3850 lb. Axle; w/ Inside Snap Rings	Y	1	5-3226X	5-760X**	
	F-250	Extended Cab; 1 Piece Driveshaft	Y	2,3	5-1204X*	5-7438X	15-1204X
	F-250	Standard Cab; 1 Piece Driveshaft	Y	2,3	5-1204X*	5-7438X	15-1204X
	F-250	4.9L; Extended Cab; 1 Piece Driveshaft	Y	4	5-213X*	5-1330-1X* 5-1330X**	15-213X
	F-250	4.9L; Standard Cab; 1 Piece Driveshaft; w/ U-Bolts	Y	4	5-1204X*	5-7438X	15-1204X
	F-250	4.9L; Standard Cab; 1 Piece Driveshaft; w/o U-Bolts	Y	4	5-213X*	5-1330-1X* 5-1330X**	15-213X
	F-250	5.0L; Extended Cab; 1 Piece Driveshaft	Y	4	5-213X*	5-1330-1X* 5-1330X**	15-213X
	F-250	5.0L; Standard Cab; 1 Piece Driveshaft; w/ U-Bolts	Y	4	5-1204X*	5-7438X	15-1204X
	F-250	5.0L; Standard Cab; 1 Piece Driveshaft; w/o U-Bolts	Y	4	5-213X*	5-1330-1X* 5-1330X**	15-213X
	F-250	5.8L; Extended Cab; 1 Piece Driveshaft	Y	4	5-213X*	5-1330-1X* 5-1330X**	15-213X
	F-250	5.8L; Standard Cab; 1 Piece Driveshaft; w/ U-Bolts	Y	4	5-1204X*	5-7438X	15-1204X
	F-250	5.8L; Standard Cab; 1 Piece Driveshaft; w/o U-Bolts	Y	4	5-213X*	5-1330-1X* 5-1330X**	15-213X

\* GREASEABLE \*\* NON-GREASEABLE



**Ford (Cont'd)**

Year	Model	Description	Fig.	Location	Spicer Part #	SPL Part #	SVL Part #
1990-1996	F-250	7.3L; Extended Cab; Auto Trans; 1 Piece Driveshaft	Y	4	5-213X*	5-1330-1X* 5-1330X**	15-213X
	F-250	7.3L; Standard Cab; Auto Trans; 1 Piece Driveshaft; w/ U-Bolts	Y	4	5-1204X*	5-7438X	15-1204X
	F-250	7.3L; Standard Cab; Auto Trans; 1 Piece Driveshaft; w/o U-Bolts	Y	4	5-213X*	5-1330-1X* 5-1330X**	15-213X
	F-250	7.5L; Extended Cab; Auto Trans; 1 Piece Driveshaft	Y	4	5-213X*	5-1330-1X* 5-1330X**	15-213X
	F-250	7.5L; Standard Cab; Auto Trans; 1 Piece Driveshaft; w/ U-Bolts	Y	4	5-1204X*	5-7438X	15-1204X
	F-250	7.5L; Standard Cab; Auto Trans; 1 Piece Driveshaft; w/o U-Bolts	Y	4	5-213X*	5-1330-1X* 5-1330X**	15-213X
	F-250	7.3L; Extended Cab; Standard Trans; 1 Piece Driveshaft	Y	4,5	5-178X*	5-1350-1X* 5-1350X**	15-178X
	F-250	7.3L; Standard Cab; Standard Trans; 1 Piece Driveshaft	Y	4,5	5-178X*	5-1350-1X* 5-1350X**	15-178X
	F-250	7.5L; Extended Cab; Standard Trans; 1 Piece Driveshaft	Y	4,5	5-178X*	5-1350-1X* 5-1350X**	15-178X
	F-250	7.5L; Standard Cab; Standard Trans; 1 Piece Driveshaft	Y	4,5	5-178X*	5-1350-1X* 5-1350X**	15-178X
	F-250	4.9L; Extended Cab; 1 Piece Driveshaft	Y	5	5-1204X*	5-7438X	15-1204X
	F-250	4.9L; Standard Cab; 1 Piece Driveshaft	Y	5	5-1204X*	5-7438X	15-1204X
	F-250	5.0L; Extended Cab; 1 Piece Driveshaft	Y	5	5-1204X*	5-7438X	15-1204X
	F-250	5.0L; Standard Cab; 1 Piece Driveshaft	Y	5	5-1204X*	5-7438X	15-1204X
	F-250	5.8L; Extended Cab; 1 Piece Driveshaft	Y	5	5-1204X*	5-7438X	15-1204X
	F-250	5.8L; Standard Cab; 1 Piece Driveshaft	Y	5	5-1204X*	5-7438X	15-1204X
	F-250	7.3L; Extended Cab; Auto Trans; 1 Piece Driveshaft	Y	5	5-1204X*	5-7438X	15-1204X
	F-250	7.3L; Standard Cab; Auto Trans; 1 Piece Driveshaft	Y	5	5-1204X*	5-7438X	15-1204X
	F-250	7.5L; Extended Cab; Auto Trans; 1 Piece Driveshaft	Y	5	5-1204X*	5-7438X	15-1204X
	F-250	7.5L; Standard Cab; Auto Trans; 1 Piece Driveshaft	Y	5	5-1204X*	5-7438X	15-1204X
	F-250	2 Piece Driveshaft; w/ Heavy Duty 4600 lb. Axle; w/ Outside Snap Rings	Z	1	5-178X*	5-1350-1X* 5-1350X**	15-178X
	F-250	2 Piece Driveshaft; w/ Standard 3850 lb. Axle; w/ Inside Snap Rings	Z	1	5-3226X	5-760X**	
	F-250	Extended Cab; 2 Piece Driveshaft	Z	2,3	5-1204X*	5-7438X	15-1204X
	F-250	Standard Cab; 2 Piece Driveshaft	Z	2,3	5-1204X*	5-7438X	15-1204X
	F-250	4.9L; Standard Cab; 2 Piece Driveshaft; w/ U-Bolts	Z	4	5-1204X*	5-7438X	15-1204X
	F-250	4.9L; Standard Cab; 2 Piece Driveshaft; w/o U-Bolts	Z	4	5-213X*	5-1330-1X* 5-1330X**	15-213X
	F-250	5.0L; Standard Cab; 2 Piece Driveshaft; w/ U-Bolts	Z	4	5-1204X*	5-7438X	15-1204X
	F-250	5.0L; Standard Cab; 2 Piece Driveshaft; w/o U-Bolts	Z	4	5-213X*	5-1330-1X* 5-1330X**	15-213X
	F-250	5.8L; Standard Cab; 2 Piece Driveshaft; w/ U-Bolts	Z	4	5-1204X*	5-7438X	15-1204X
	F-250	5.8L; Standard Cab; 2 Piece Driveshaft; w/o U-Bolts	Z	4	5-213X*	5-1330-1X* 5-1330X**	15-213X
	F-250	7.3L; Standard Cab; Auto Trans; 2 Piece Driveshaft; w/ U-Bolts	Z	4	5-1204X*	5-7438X	15-1204X

\* GREASEABLE \*\* NON-GREASEABLE

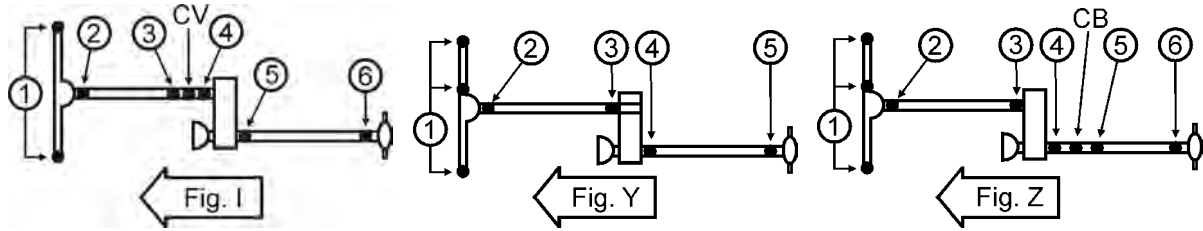
4  
W  
D

**Ford (Cont'd)**

Year	Model	Description	Fig.	Location	Spicer Part #	SPL Part #	SVL Part #	
1990-1996	F-250	7.3L; Standard Cab; Auto Trans; 2 Piece Driveshaft; w/o U-Bolts	Z	4	5-213X*	5-1330-1X* 5-1330X**	15-213X	
	F-250	7.5L; Standard Cab; Auto Trans; 2 Piece Driveshaft; w/ U-Bolts	Z	4	5-1204X*	5-7438X	15-1204X	
	F-250	7.5L; Standard Cab; Auto Trans; 2 Piece Driveshaft; w/o U-Bolts	Z	4	5-213X*	5-1330-1X* 5-1330X**	15-213X	
	F-250	4.9L; Extended Cab; 2 Piece Driveshaft	Z	4,5	5-213X*	5-1330-1X* 5-1330X**	15-213X	
	F-250	5.0L; Extended Cab; 2 Piece Driveshaft	Z	4,5	5-213X*	5-1330-1X* 5-1330X**	15-213X	
	F-250	5.8L; Extended Cab; 2 Piece Driveshaft	Z	4,5	5-213X*	5-1330-1X* 5-1330X**	15-213X	
	F-250	7.3L; Extended Cab; Auto Trans; 2 Piece Driveshaft	Z	4,5	5-213X*	5-1330-1X* 5-1330X**	15-213X	
	F-250	7.5L; Extended Cab; Auto Trans; 2 Piece Driveshaft	Z	4,5	5-213X*	5-1330-1X* 5-1330X**	15-213X	
	F-250	7.3L; Extended Cab; Standard Trans; 2 Piece Driveshaft	Z	4,5,6	5-178X*	5-1350-1X* 5-1350X**	15-178X	
	F-250	7.5L; Extended Cab; Standard Trans; 2 Piece Driveshaft	Z	4,5,6	5-178X*	5-1350-1X* 5-1350X**	15-178X	
	F-250	7.3L; Standard Cab; Standard Trans; 2 Piece Driveshaft	Z	4,6	5-178X*	5-1350-1X* 5-1350X**	15-178X	
	F-250	7.5L; Standard Cab; Standard Trans; 2 Piece Driveshaft	Z	4,6	5-178X*	5-1350-1X* 5-1350X**	15-178X	
	F-250	4.9L; Extended Cab; 2 Piece Driveshaft	Z	6	5-1204X*	5-7438X	15-1204X	
	F-250	4.9L; Standard Cab; 2 Piece Driveshaft	Z	6	5-1204X*	5-7438X	15-1204X	
	F-250	5.0L; Extended Cab; 2 Piece Driveshaft	Z	6	5-1204X*	5-7438X	15-1204X	
	F-250	5.0L; Standard Cab; 2 Piece Driveshaft	Z	6	5-1204X*	5-7438X	15-1204X	
	F-250	5.8L; Extended Cab; 2 Piece Driveshaft	Z	6	5-1204X*	5-7438X	15-1204X	
	F-250	5.8L; Standard Cab; 2 Piece Driveshaft	Z	6	5-1204X*	5-7438X	15-1204X	
	F-250	7.3L; Extended Cab; Auto Trans; 2 Piece Driveshaft	Z	6	5-1204X*	5-7438X	15-1204X	
	F-250	7.3L; Standard Cab; Auto Trans; 2 Piece Driveshaft	Z	6	5-1204X*	5-7438X	15-1204X	
	F-250	7.5L; Extended Cab; Auto Trans; 2 Piece Driveshaft	Z	6	5-1204X*	5-7438X	15-1204X	
	F-250	7.5L; Standard Cab; Auto Trans; 2 Piece Driveshaft	Z	6	5-1204X*	5-7438X	15-1204X	
	1996	F-250	Crew Cab; 1 Piece Driveshaft	Y	2,3	5-1204X*	5-7438X	15-1204X
		F-250	4.9L; Crew Cab; 1 Piece Driveshaft; w/ U-Bolts	Y	4	5-1204X*	5-7438X	15-1204X
		F-250	4.9L; Crew Cab; 1 Piece Driveshaft; w/o U-Bolts	Y	4	5-213X*	5-1330-1X* 5-1330X**	15-213X
		F-250	5.0L; Crew Cab; 1 Piece Driveshaft; w/ U-Bolts	Y	4	5-1204X*	5-7438X	15-1204X
F-250		5.0L; Crew Cab; 1 Piece Driveshaft; w/o U-Bolts	Y	4	5-213X*	5-1330-1X* 5-1330X**	15-213X	
F-250		5.8L; Crew Cab; 1 Piece Driveshaft; w/ U-Bolts	Y	4	5-1204X*	5-7438X	15-1204X	
F-250		5.8L; Crew Cab; 1 Piece Driveshaft; w/o U-Bolts	Y	4	5-213X*	5-1330-1X* 5-1330X**	15-213X	
F-250		7.3L; Crew Cab; Auto Trans; 1 Piece Driveshaft; w/ U-Bolts	Y	4	5-1204X*	5-7438X	15-1204X	
F-250		7.3L; Crew Cab; Auto Trans; 1 Piece Driveshaft; w/o U-Bolts	Y	4	5-213X*	5-1330-1X* 5-1330X**	15-213X	
F-250		7.5L; Crew Cab; Auto Trans; 1 Piece Driveshaft; w/ U-Bolts	Y	4	5-1204X*	5-7438X	15-1204X	
F-250		7.5L; Crew Cab; Auto Trans; 1 Piece Driveshaft; w/o U-Bolts	Y	4	5-213X*	5-1330-1X* 5-1330X**	15-213X	
F-250		7.3L; Crew Cab; Standard Trans; 1 Piece Driveshaft	Y	4,5	5-178X*	5-1350-1X* 5-1350X**	15-178X	
F-250		7.5L; Crew Cab; Standard Trans; 1 Piece Driveshaft	Y	4,5	5-178X*	5-1350-1X* 5-1350X**	15-178X	
F-250		4.9L; Crew Cab; 1 Piece Driveshaft	Y	5	5-1204X*	5-7438X	15-1204X	

\* GREASEABLE \*\* NON-GREASEABLE





**Ford (Cont'd)**

Year	Model	Description	Fig.	Location	Spicer Part #	SPL Part #	SVL Part #
1996	F-250	5.0L; Crew Cab; 1 Piece Driveshaft	Y	5	5-1204X*	5-7438X	15-1204X
	F-250	5.8L; Crew Cab; 1 Piece Driveshaft	Y	5	5-1204X*	5-7438X	15-1204X
	F-250	7.3L; Crew Cab; Auto Trans; 1 Piece Driveshaft	Y	5	5-1204X*	5-7438X	15-1204X
	F-250	7.5L; Crew Cab; Auto Trans; 1 Piece Driveshaft	Y	5	5-1204X*	5-7438X	15-1204X
	F-250	Crew Cab; 2 Piece Driveshaft	Z	2,3	5-1204X*	5-7438X	15-1204X
	F-250	4.9L; Crew Cab; 2 Piece Driveshaft; w/ U-Bolts	Z	4	5-1204X*	5-7438X	15-1204X
	F-250	4.9L; Crew Cab; 2 Piece Driveshaft; w/o U-Bolts	Z	4	5-213X*	5-1330-1X* 5-1330X**	15-213X
	F-250	5.0L; Crew Cab; 2 Piece Driveshaft; w/ U-Bolts	Z	4	5-1204X*	5-7438X	15-1204X
	F-250	5.0L; Crew Cab; 2 Piece Driveshaft; w/o U-Bolts	Z	4	5-213X*	5-1330-1X* 5-1330X**	15-213X
	F-250	5.8L; Crew Cab; 2 Piece Driveshaft; w/ U-Bolts	Z	4	5-1204X*	5-7438X	15-1204X
	F-250	5.8L; Crew Cab; 2 Piece Driveshaft; w/o U-Bolts	Z	4	5-213X*	5-1330-1X* 5-1330X**	15-213X
	F-250	7.3L; Crew Cab; Auto Trans; 2 Piece Driveshaft; w/ U-Bolts	Z	4	5-1204X*	5-7438X	15-1204X
	F-250	7.3L; Crew Cab; Auto Trans; 2 Piece Driveshaft; w/o U-Bolts	Z	4	5-213X*	5-1330-1X* 5-1330X**	15-213X
	F-250	7.5L; Crew Cab; Auto Trans; 2 Piece Driveshaft; w/ U-Bolts	Z	4	5-1204X*	5-7438X	15-1204X
	F-250	7.5L; Crew Cab; Auto Trans; 2 Piece Driveshaft; w/o U-Bolts	Z	4	5-213X*	5-1330-1X* 5-1330X**	15-213X
	F-250	7.3L; Crew Cab; Standard Trans; 2 Piece Driveshaft	Z	4,6	5-178X*	5-1350-1X* 5-1350X**	15-178X
	F-250	7.5L; Crew Cab; Standard Trans; 2 Piece Driveshaft	Z	4,6	5-178X*	5-1350-1X* 5-1350X**	15-178X
	F-250	4.9L; Crew Cab; 2 Piece Driveshaft	Z	6	5-1204X*	5-7438X	15-1204X
	F-250	5.0L; Crew Cab; 2 Piece Driveshaft	Z	6	5-1204X*	5-7438X	15-1204X
	F-250	5.8L; Crew Cab; 2 Piece Driveshaft	Z	6	5-1204X*	5-7438X	15-1204X
F-250	7.3L; Crew Cab; Auto Trans; 2 Piece Driveshaft	Z	6	5-1204X*	5-7438X	15-1204X	
F-250	7.5L; Crew Cab; Auto Trans; 2 Piece Driveshaft	Z	6	5-1204X*	5-7438X	15-1204X	
1997-1998	F-250	w/ Standard 3850 lb. Axle; w/ Inside Snap Rings	Y	1	5-3226X	5-760X**	
	F-250	w/o H/D	Y	2,3	5-213X*	5-1330-1X* 5-1330X**	15-213X
	F-250	w/o H/D	Y	4,5	5-178X*	5-1350-1X* 5-1350X**	15-178X
1999	F-250	Standard Duty	Y	2,3	5-213X*	5-1330-1X* 5-1330X**	15-213X
	F-250		Y	4,5	5-178X*	5-1350-1X* 5-1350X**	15-178X
1999-2003	F-250 Super Duty	7.3L; Crew Cab; 1 Piece Driveshaft; w/ 4.188" O.D. Yoke	I	5	5-160X*	5-1410-1X* 5-1410X**	15-160X
	F-250 Super Duty	6.8L; Extended Cab; 96.0" Bed; 1 Piece Driveshaft; w/ 4.188" O.D. Yoke	I	5,6	5-160X*	5-1410-1X* 5-1410X**	15-160X
	F-250 Super Duty	7.3L; Extended Cab; 96.0" Bed; 1 Piece Driveshaft; w/ 4.188" O.D. Yoke	I	5,6	5-160X*	5-1410-1X* 5-1410X**	15-160X

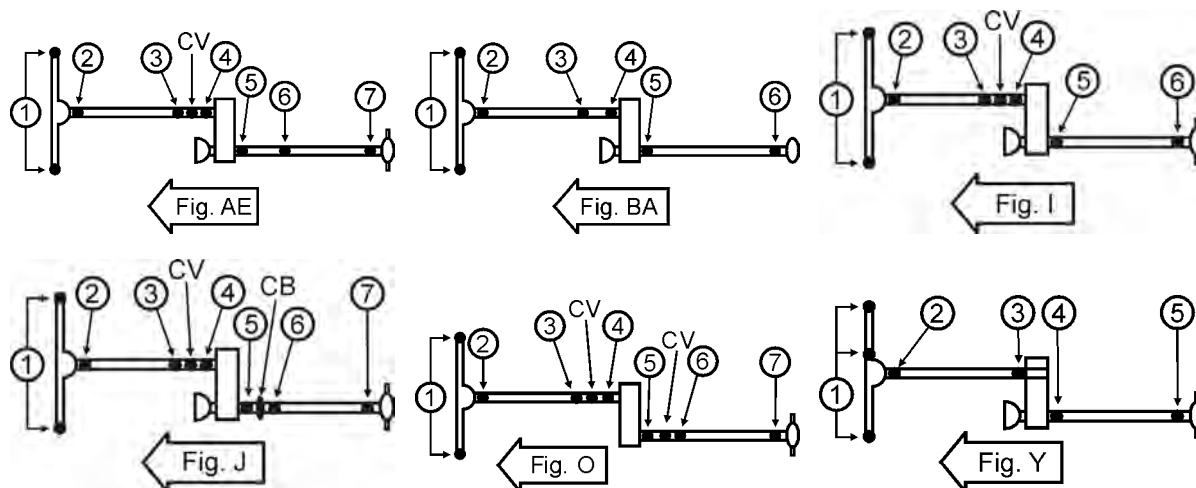
\* GREASEABLE \*\* NON-GREASEABLE

4  
W  
D

**Ford (Cont'd)**

Year	Model	Description	Fig.	Location	Spicer Part #	SPL Part #	SVL Part #
1999-2003	F-250 Super Duty	7.3L; Crew Cab; 2 Piece Driveshaft; w/ 4.188" O.D. Yoke	J	5,6	5-160X*	5-1410-1X* 5-1410X**	15-160X
	F-250 Super Duty	7.3L; Extended Cab; 96.0" Bed; 2 Piece Driveshaft; w/ 4.188" O.D. Yoke	J	5,6,7	5-160X*	5-1410-1X* 5-1410X**	15-160X
	F-250 Super Duty	7.3L; Extended Cab; 81.0" Bed; 2 Piece Driveshaft; w/ 4.188" O.D. Yoke	0	7	5-160X*	5-1410-1X* 5-1410X**	15-160X
	F-250 Super Duty	7.3L; Standard Cab; 2 Piece Driveshaft; w/ 4.188" O.D. Yoke	0	7	5-160X*	5-1410-1X* 5-1410X**	15-160X
1999-2004	F-250 Super Duty	1 Piece Driveshaft; w/ 3.625" O.D. Yoke	I	2,3,4	5-178X*	5-1350-1X* 5-1350X**	15-178X
	F-250 Super Duty	5.4L; Crew Cab; 1 Piece Driveshaft; w/ 3.625" O.D. Yoke	I	5	5-178X*	5-1350-1X* 5-1350X**	15-178X
	F-250 Super Duty	6.8L; Crew Cab; 1 Piece Driveshaft; w/ 4.188" O.D. Yoke	I	5	5-160X*	5-1410-1X* 5-1410X**	15-160X
	F-250 Super Duty	5.4L; Extended Cab; 96.0" Bed; 1 Piece Driveshaft; w/ 3.625" O.D. Yoke	I	5,6	5-178X*	5-1350-1X* 5-1350X**	15-178X
	F-250 Super Duty	2 Piece Driveshaft; w/ 3.625" O.D. Yoke	J	2,3,4	5-178X*	5-1350-1X* 5-1350X**	15-178X
	F-250 Super Duty	5.4L; Crew Cab; 2 Piece Driveshaft; w/ 3.625" O.D. Yoke	J	5,6	5-178X*	5-1350-1X* 5-1350X**	15-178X
	F-250 Super Duty	6.8L; Crew Cab; 2 Piece Driveshaft; w/ 4.188" O.D. Yoke	J	5,6	5-160X*	5-1410-1X* 5-1410X**	15-160X
	F-250 Super Duty	5.4L; Extended Cab; 96.0" Bed; 2 Piece Driveshaft; w/ 3.625" O.D. Yoke	J	5,6,7	5-178X*	5-1350-1X* 5-1350X**	15-178X
	F-250 Super Duty	6.8L; Extended Cab; 96.0" Bed; 2 Piece Driveshaft; w/ 4.188" O.D. Yoke	J	5,6,7	5-160X*	5-1410-1X* 5-1410X**	15-160X
	F-250 Super Duty	5.4L; Extended Cab; 81.0" Bed; 2 Piece Driveshaft; w/ 3.625" O.D. Yoke	0	5,6,7	5-178X*	5-1350-1X* 5-1350X**	15-178X
	F-250 Super Duty	5.4L; Standard Cab; 2 Piece Driveshaft; w/ 3.625" O.D. Yoke	0	5,6,7	5-178X*	5-1350-1X* 5-1350X**	15-178X
	F-250 Super Duty	6.8L; Extended Cab; 81.0" Bed; 2 Piece Driveshaft; w/ 4.188" O.D. Yoke	0	7	5-160X*	5-1410-1X* 5-1410X**	15-160X
	F-250 Super Duty	6.8L; Standard Cab; 2 Piece Driveshaft; w/ 4.188" O.D. Yoke	0	7	5-160X*	5-1410-1X* 5-1410X**	15-160X
	2004	F-250 Super Duty	6.0L; Crew Cab; 1 Piece Driveshaft; w/ 3.625" O.D. Yoke	I	5	5-178X*	5-1350-1X* 5-1350X**
F-250 Super Duty		6.8L; Extended Cab; 96.0" Bed; 1 Piece Driveshaft; w/ 4.188" O.D. Yoke	I	5	5-160X*	5-1410-1X* 5-1410X**	15-160X
F-250 Super Duty		6.0L; Extended Cab; 96.0" Bed; 1 Piece Driveshaft; w/ 3.625" O.D. Yoke	I	5,6	5-178X*	5-1350-1X* 5-1350X**	15-178X
F-250 Super Duty		6.0L; Crew Cab; 2 Piece Driveshaft; w/ 3.625" O.D. Yoke	J	5,6	5-178X*	5-1350-1X* 5-1350X**	15-178X
F-250 Super Duty		6.0L; Extended Cab; 96.0" Bed; 2 Piece Driveshaft; w/ 3.625" O.D. Yoke	J	5,6,7	5-178X*	5-1350-1X* 5-1350X**	15-178X
F-250 Super Duty		6.0L; Extended Cab; 81.0" Bed; 2 Piece Driveshaft; w/ 3.625" O.D. Yoke	0	5,6,7	5-178X*	5-1350-1X* 5-1350X**	15-178X
F-250 Super Duty		6.0L; Standard Cab; 2 Piece Driveshaft; w/ 3.625" O.D. Yoke	0	5,6,7	5-178X*	5-1350-1X* 5-1350X**	15-178X
2005-2010	F-250 Super Duty	2 Piece Driveshaft; w/ Double Cardan CV Joint	0	5,6	5-178X*	5-1350-1X* 5-1350X**	15-178X
	F-250 Super Duty	2 Piece Driveshaft; w/ Double Cardan CV Joint	0	7	5-160X*	5-1410-1X* 5-1410X**	15-160X
2005-2013	F-250 Super Duty	2 Piece Driveshaft	AE	1		SPL55-3X** SPL55-4X*	
	F-250 Super Duty	2 Piece Driveshaft	AE	2,5,6,7	5-160X*	5-1410-1X* 5-1410X**	15-160X
	F-250 Super Duty	1 Piece Driveshaft	BA	1		SPL55-3X** SPL55-4X*	
	F-250 Super Duty	1 Piece Driveshaft	BA	2,5,6	5-160X*	5-1410-1X* 5-1410X**	15-160X
2016	F-250 Super Duty	V8 6.2L; 1 Piece Driveshaft	I	1		SPL55-3X** SPL55-4X*	
	F-250 Super Duty	V8 6.7L; 1 Piece Driveshaft	I	1		SPL55-3X** SPL55-4X*	

\* GREASEABLE \*\* NON-GREASEABLE



Ford (Cont'd)

Year	Model	Description	Fig.	Location	Spicer Part #	SPL Part #	SVL Part #
2016	F-250 Super Duty	V8 6.2L; 1 Piece Driveshaft	I	2,5,6	5-160X*	5-1410-1X* 5-1410X**	15-160X
	F-250 Super Duty	V8 6.7L; 1 Piece Driveshaft	I	2,5,6	5-160X*	5-1410-1X* 5-1410X**	15-160X
	F-250 Super Duty	V8 6.2L; 2 Piece Driveshaft	J	1		SPL55-3X** SPL55-4X*	
	F-250 Super Duty	V8 6.7L; 2 Piece Driveshaft	J	1		SPL55-3X** SPL55-4X*	
	F-250 Super Duty	V8 6.2L; 2 Piece Driveshaft	J	2,5,6,7	5-160X*	5-1410-1X* 5-1410X**	15-160X
	F-250 Super Duty	V8 6.7L; 2 Piece Driveshaft	J	2,5,6,7	5-160X*	5-1410-1X* 5-1410X**	15-160X
2017	F-250 Super Duty	1 Piece Driveshaft	I	1		SPL55-3X** SPL55-4X*	
	F-250 Super Duty	1 Piece Driveshaft	I	2,5,6	5-160X*	5-1410-1X* 5-1410X**	15-160X
	F-250 Super Duty	2 Piece Driveshaft	J	1		SPL55-3X** SPL55-4X*	
	F-250 Super Duty	2 Piece Driveshaft	J	2,5,6,7	5-160X*	5-1410-1X* 5-1410X**	15-160X
1979	F-350		J	1		SPL55-3X** SPL55-4X*	
	F-350		J	2	5-1204X*	5-7438X	15-1204X
	F-350		J	3,4	5-213X*	5-1330-1X* 5-1330X**	15-213X
	F-350	Extended Cab	J	5	5-213X*	5-1330-1X* 5-1330X**	15-213X
	F-350	Standard Cab	J	5	5-213X*	5-1330-1X* 5-1330X**	15-213X
	F-350	Crew Cab	J	5,6	5-213X*	5-1330-1X* 5-1330X**	15-213X
	F-350	Crew Cab	J	7	5-1204X*	5-7438X	15-1204X
	F-350	Extended Cab	J	7	5-1204X*	5-7438X	15-1204X
	F-350	Standard Cab	J	7	5-1204X*	5-7438X	15-1204X
1980-1981	F-350	w/ Inside Snap Rings	Y	1	5-3226X	5-760X**	
	F-350	w/ Outside Snap Rings	Y	1	5-178X*	5-1350-1X* 5-1350X**	15-178X
	F-350		Y	2	5-213X*	5-1330-1X* 5-1330X**	15-213X
	F-350		Y	3	5-1204X*	5-7438X	15-1204X
	F-350		Y	4	5-213X*	5-1330-1X* 5-1330X**	15-213X
	F-350		Y	5	5-1204X*	5-7438X	15-1204X

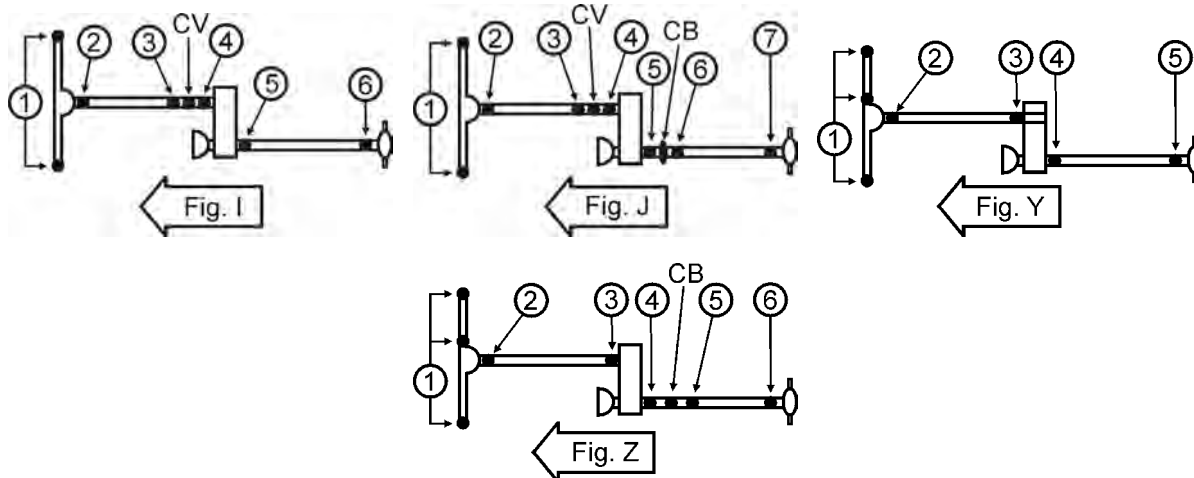
\* GREASEABLE \*\* NON-GREASEABLE

4  
W  
D

**Ford (Cont'd)**

Year	Model	Description	Fig.	Location	Spicer Part #	SPL Part #	SVL Part #
1982	F-350		Y	1	5-178X*	5-1350-1X* 5-1350X**	15-178X
	F-350		Y	2,3	5-1204X*	5-7438X	15-1204X
1983-1984	F-350	Standard Cab	Y	4,5	5-1204X*	5-7438X	15-1204X
	F-350	1 Piece Driveshaft	Y	1	5-178X*	5-1350-1X* 5-1350X**	15-178X
	F-350	1 Piece Driveshaft	Y	2,3	5-1204X*	5-7438X	15-1204X
	F-350	Crew Cab; 1 Piece Driveshaft	Y	4,5	5-1204X*	5-7438X	15-1204X
	F-350	Standard Cab; 1 Piece Driveshaft	Y	4,5	5-1204X*	5-7438X	15-1204X
	F-350	2 Piece Driveshaft	Z	1	5-178X*	5-1350-1X* 5-1350X**	15-178X
	F-350	2 Piece Driveshaft	Z	2,3	5-1204X*	5-7438X	15-1204X
	F-350	Crew Cab; 2 Piece Driveshaft	Z	4	5-1204X*	5-7438X	15-1204X
	F-350	Standard Cab; 2 Piece Driveshaft	Z	4,6	5-1204X*	5-7438X	15-1204X
	F-350	Crew Cab; 2 Piece Driveshaft	Z	5	5-213X*	5-1330-1X* 5-1330X**	15-213X
	F-350	Crew Cab; 2 Piece Driveshaft	Z	6	5-1204X*	5-7438X	15-1204X
1985	F-350	1 Piece Driveshaft; w/ 2-Joint Moonbeam Front Axle	I	1		SPL55-3X** SPL55-4X*	
	F-350	1 Piece Driveshaft; w/ 2-Joint Moonbeam Front Axle	I	2	5-1204X*	5-7438X	15-1204X
	F-350	1 Piece Driveshaft; w/ 2-Joint Moonbeam Front Axle	I	3,4	5-213X*	5-1330-1X* 5-1330X**	15-213X
	F-350	2 Piece Driveshaft; w/ 2-Joint Moonbeam Front Axle	J	1		SPL55-3X** SPL55-4X*	
	F-350	2 Piece Driveshaft; w/ 2-Joint Moonbeam Front Axle	J	2	5-1204X*	5-7438X	15-1204X
	F-350	2 Piece Driveshaft; w/ 2-Joint Moonbeam Front Axle	J	3,4	5-213X*	5-1330-1X* 5-1330X**	15-213X
	F-350	2 Piece Driveshaft; w/ 3-Joint IFS Front Axle	Z	1	5-178X*	5-1350-1X* 5-1350X**	15-178X
	F-350	2 Piece Driveshaft; w/ 3-Joint IFS Front Axle	Z	2,3	5-1204X*	5-7438X	15-1204X
1985-1986	F-350	Crew Cab; 1 Piece Driveshaft	I	5,6	5-1204X*	5-7438X	15-1204X
	F-350	Standard Cab; 1 Piece Driveshaft	I	5,6	5-1204X*	5-7438X	15-1204X
	F-350	Crew Cab; 2 Piece Driveshaft	J	5	5-1204X*	5-7438X	15-1204X
	F-350	Standard Cab; 2 Piece Driveshaft	J	5,7	5-1204X*	5-7438X	15-1204X
	F-350	Crew Cab; 2 Piece Driveshaft	J	6	5-213X*	5-1330-1X* 5-1330X**	15-213X
	F-350	Crew Cab; 2 Piece Driveshaft	J	7	5-1204X*	5-7438X	15-1204X
1986-1997	F-350	2 Piece Driveshaft	J	1		SPL55-3X** SPL55-4X*	
1987	F-350	Crew Cab; 3 Speed; 2 Piece Driveshaft; w/ Full Time Transfer Case	J	5	5-1204X*	5-7438X	15-1204X
	F-350	Crew Cab; 4 Speed; 2 Piece Driveshaft; w/ Full Time Transfer Case	J	5	5-1204X*	5-7438X	15-1204X
	F-350	Standard Cab; 3 Speed; 2 Piece Driveshaft; w/ Part Time Transfer Case	J	5	5-213X*	5-1330-1X* 5-1330X**	15-213X
	F-350	Standard Cab; 4 Speed; 2 Piece Driveshaft; w/ Part Time Transfer Case	J	5	5-213X*	5-1330-1X* 5-1330X**	15-213X
	F-350	Crew Cab; 3 Speed; 2 Piece Driveshaft; w/ Part Time Transfer Case	J	5,6	5-213X*	5-1330-1X* 5-1330X**	15-213X
	F-350	Crew Cab; 4 Speed; 2 Piece Driveshaft; w/ Part Time Transfer Case	J	5,6	5-213X*	5-1330-1X* 5-1330X**	15-213X
	F-350	Standard Trans; 5 Speed; 2 Piece Driveshaft	J	5,6,7	5-178X*	5-1350-1X* 5-1350X**	15-178X
	F-350	Standard Cab; 3 Speed; 2 Piece Driveshaft; w/ Full Time Transfer Case	J	5,7	5-1204X*	5-7438X	15-1204X
	F-350	Standard Cab; 4 Speed; 2 Piece Driveshaft; w/ Full Time Transfer Case	J	5,7	5-1204X*	5-7438X	15-1204X
	F-350	Crew Cab; 3 Speed; 2 Piece Driveshaft; w/ Full Time Transfer Case	J	6	5-213X*	5-1330-1X* 5-1330X**	15-213X
	F-350	Crew Cab; 4 Speed; 2 Piece Driveshaft; w/ Full Time Transfer Case	J	6	5-213X*	5-1330-1X* 5-1330X**	15-213X

\* GREASEABLE \*\* NON-GREASEABLE



Ford (Cont'd)

Year	Model	Description	Fig.	Location	Spicer Part #	SPL Part #	SVL Part #
1987	F-350	Crew Cab; 3 Speed; 2 Piece Driveshaft; w/ Full Time Transfer Case	J	7	5-1204X*	5-7438X	15-1204X
	F-350	Crew Cab; 3 Speed; 2 Piece Driveshaft; w/ Part Time Transfer Case	J	7	5-1204X*	5-7438X	15-1204X
	F-350	Crew Cab; 4 Speed; 2 Piece Driveshaft; w/ Full Time Transfer Case	J	7	5-1204X*	5-7438X	15-1204X
	F-350	Crew Cab; 4 Speed; 2 Piece Driveshaft; w/ Part Time Transfer Case	J	7	5-1204X*	5-7438X	15-1204X
	F-350	Standard Cab; 3 Speed; 2 Piece Driveshaft; w/ Part Time Transfer Case	J	7	5-1204X*	5-7438X	15-1204X
	F-350	Standard Cab; 4 Speed; 2 Piece Driveshaft; w/ Part Time Transfer Case	J	7	5-1204X*	5-7438X	15-1204X
1987-1993	F-350	2 Piece Driveshaft; w/ Ford Axle; w/ Outside Snap Rings	J	2	5-1204X*	5-7438X	15-1204X
	F-350	2 Piece Driveshaft; w/ Koyo CV; w/ Inside Snap Rings	J	2	5-1204X*	5-7438X	15-1204X
	F-350	2 Piece Driveshaft; w/ Koyo CV; w/ Inside Snap Rings; Front CV	J	3	5-3147X*	5-795X**	15-3147X
	F-350	2 Piece Driveshaft; w/ Ford Axle; w/ Outside Snap Rings	J	3,4	5-213X*	5-1330-1X* 5-1330X**	15-213X
	F-350	2 Piece Driveshaft; w/ Koyo CV; w/ Inside Snap Rings; Rear CV	J	4	5-212X*	5-793X**	
1988	F-350	7.5L; 137.0" WB; Auto Trans; 1 Piece Driveshaft	I	5	5-213X*	5-1330-1X* 5-1330X**	15-213X
	F-350	155.0" WB; 1 Piece Driveshaft	I	5,6	5-178X*	5-1350-1X* 5-1350X**	15-178X
	F-350	7.5L; 137.0" WB; Standard Trans; 1 Piece Driveshaft	I	5,6	5-178X*	5-1350-1X* 5-1350X**	15-178X
	F-350	7.5L; 137.0" WB; Auto Trans; 1 Piece Driveshaft	I	6	5-1204X*	5-7438X	15-1204X
	F-350	7.5L; 137.0" WB; Auto Trans; 2 Piece Driveshaft	J	5	5-213X*	5-1330-1X* 5-1330X**	15-213X
	F-350	155.0" WB; 2 Piece Driveshaft	J	5,7	5-178X*	5-1350-1X* 5-1350X**	15-178X
	F-350	7.5L; 137.0" WB; Standard Trans; 2 Piece Driveshaft	J	5,7	5-178X*	5-1350-1X* 5-1350X**	15-178X
	F-350	7.5L; 137.0" WB; Auto Trans; 2 Piece Driveshaft	J	7	5-1204X*	5-7438X	15-1204X
1988-1993	F-350	1 Piece Driveshaft; w/ Ford Axle; w/ Outside Snap Rings	I	2	5-1204X*	5-7438X	15-1204X
	F-350	1 Piece Driveshaft; w/ Koyo CV; w/ Inside Snap Rings	I	2	5-1204X*	5-7438X	15-1204X
	F-350	1 Piece Driveshaft; w/ Koyo CV; w/ Inside Snap Rings; Front CV	I	3	5-3147X*	5-795X**	15-3147X

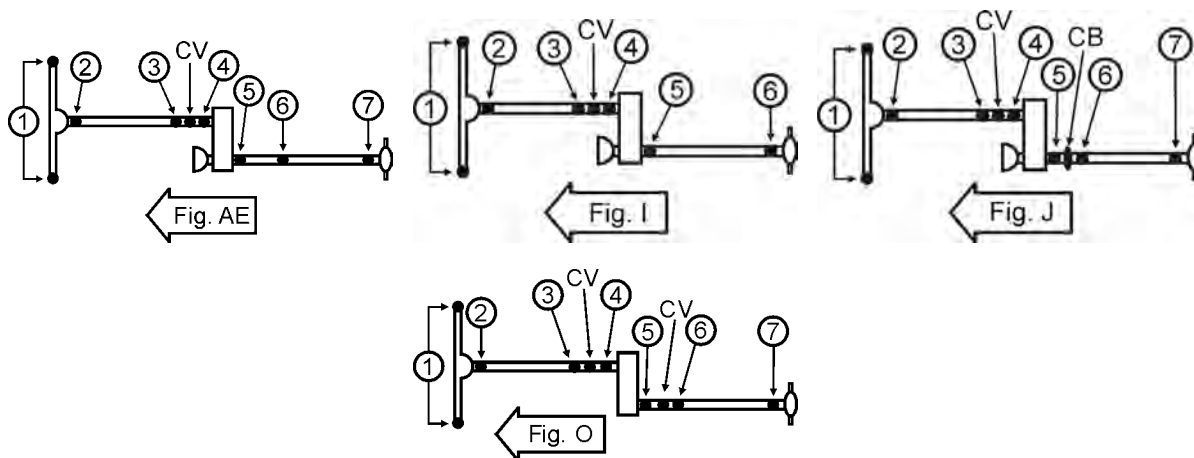
\* GREASEABLE \*\* NON-GREASEABLE

4  
W  
D

**Ford (Cont'd)**

Year	Model	Description	Fig.	Location	Spicer Part #	SPL Part #	SVL Part #
1988-1993	F-350	1 Piece Driveshaft; w/ Ford Axle; w/ Outside Snap Rings	I	3,4	5-213X*	5-1330-1X* 5-1330X**	15-213X
	F-350	1 Piece Driveshaft; w/ Koyo CV; w/ Inside Snap Rings; Rear CV	I	4	5-212X*	5-793X**	
	F-350	133.0" WB; Auto Trans; 1 Piece Driveshaft	I	5	5-213X*	5-1330-1X* 5-1330X**	15-213X
	F-350	5.8L; 133.0" WB; Standard Trans; 1 Piece Driveshaft	I	5	5-213X*	5-1330-1X* 5-1330X**	15-213X
	F-350	7.3L; 133.0" WB; Standard Trans; 1 Piece Driveshaft	I	5,6	5-178X*	5-1350-1X* 5-1350X**	15-178X
	F-350	7.5L; 133.0" WB; Standard Trans; 1 Piece Driveshaft	I	5,6	5-178X*	5-1350-1X* 5-1350X**	15-178X
	F-350	133.0" WB; Auto Trans; 1 Piece Driveshaft	I	6	5-1204X*	5-7438X	15-1204X
	F-350	5.8L; 133.0" WB; Standard Trans; 1 Piece Driveshaft	I	6	5-1204X*	5-7438X	15-1204X
	F-350	133.0" WB; Auto Trans; 2 Piece Driveshaft	J	5	5-213X*	5-1330-1X* 5-1330X**	15-213X
	F-350	5.8L; 133.0" WB; Standard Trans; 2 Piece Driveshaft	J	5	5-213X*	5-1330-1X* 5-1330X**	15-213X
	F-350	7.3L; 133.0" WB; Standard Trans; 2 Piece Driveshaft	J	5,7	5-178X*	5-1350-1X* 5-1350X**	15-178X
	F-350	7.5L; 133.0" WB; Standard Trans; 2 Piece Driveshaft	J	5,7	5-178X*	5-1350-1X* 5-1350X**	15-178X
	F-350	133.0" WB; Auto Trans; 2 Piece Driveshaft	J	7	5-1204X*	5-7438X	15-1204X
	F-350	5.8L; 133.0" WB; Standard Trans; 2 Piece Driveshaft	J	7	5-1204X*	5-7438X	15-1204X
1988-1997	F-350	1 Piece Driveshaft	I	1		SPL55-3X** SPL55-4X*	
	F-350	160.8" WB; 1 Piece Driveshaft	I	5,6	5-178X*	5-1350-1X* 5-1350X**	15-178X
	F-350	168.4" WB; 1 Piece Driveshaft	I	5,6	5-178X*	5-1350-1X* 5-1350X**	15-178X
	F-350	160.8" WB; 2 Piece Driveshaft	J	5,6,7	5-178X*	5-1350-1X* 5-1350X**	15-178X
	F-350	168.4" WB; 2 Piece Driveshaft	J	5,6,7	5-178X*	5-1350-1X* 5-1350X**	15-178X
1989	F-350	137.0" WB; Standard Trans; 5 Speed; 1 Piece Driveshaft	I	5	5-213X*	5-1330-1X* 5-1330X**	15-213X
	F-350	137.0" WB; 3 Speed; 1 Piece Driveshaft	I	5,6	5-178X*	5-1350-1X* 5-1350X**	15-178X
	F-350	137.0" WB; 4 Speed; 1 Piece Driveshaft	I	5,6	5-178X*	5-1350-1X* 5-1350X**	15-178X
	F-350	137.0" WB; Standard Trans; 5 Speed; 1 Piece Driveshaft; w/ H/D	I	6	5-1204X*	5-7438X	15-1204X
	F-350	137.0" WB; Standard Trans; 5 Speed; 2 Piece Driveshaft	J	5	5-213X*	5-1330-1X* 5-1330X**	15-213X
	F-350	137.0" WB; 3 Speed; 2 Piece Driveshaft	J	5,7	5-178X*	5-1350-1X* 5-1350X**	15-178X
	F-350	137.0" WB; 4 Speed; 2 Piece Driveshaft	J	5,7	5-178X*	5-1350-1X* 5-1350X**	15-178X
	F-350	137.0" WB; Standard Trans; 5 Speed; 2 Piece Driveshaft; w/ H/D	J	7	5-1204X*	5-7438X	15-1204X
1990-1997	F-350	137.0" WB; 1 Piece Driveshaft	I	5,6	5-178X*	5-1350-1X* 5-1350X**	15-178X
	F-350	137.0" WB; 2 Piece Driveshaft	J	5,7	5-178X*	5-1350-1X* 5-1350X**	15-178X
1994-1997	F-350	1 Piece Driveshaft	I	2	5-1204X*	5-7438X	15-1204X
	F-350	1 Piece Driveshaft	I	3,4	5-213X*	5-1330-1X* 5-1330X**	15-213X
	F-350	5.8L; 133.0" WB; 1 Piece Driveshaft	I	5	5-213X*	5-1330-1X* 5-1330X**	15-213X
	F-350	7.3L; 133.0" WB; 1 Piece Driveshaft	I	5,6	5-178X*	5-1350-1X* 5-1350X**	15-178X

\* GREASEABLE \*\* NON-GREASEABLE



Ford (Cont'd)

Year	Model	Description	Fig.	Location	Spicer Part #	SPL Part #	SVL Part #
1994-1997	F-350	7.5L; 133.0" WB; 1 Piece Driveshaft	I	5,6	5-178X*	5-1350-1X* 5-1350X**	15-178X
	F-350	5.8L; 133.0" WB; 1 Piece Driveshaft	I	6	5-1204X*	5-7438X	15-1204X
	F-350	2 Piece Driveshaft	J	2	5-1204X*	5-7438X	15-1204X
	F-350	2 Piece Driveshaft	J	3,4	5-213X*	5-1330-1X* 5-1330X**	15-213X
	F-350	5.8L; 133.0" WB; 2 Piece Driveshaft	J	5	5-213X*	5-1330-1X* 5-1330X**	15-213X
	F-350	7.3L; 133.0" WB; 2 Piece Driveshaft	J	5,7	5-178X*	5-1350-1X* 5-1350X**	15-178X
	F-350	7.5L; 133.0" WB; 2 Piece Driveshaft	J	5,7	5-178X*	5-1350-1X* 5-1350X**	15-178X
	F-350	5.8L; 133.0" WB; 2 Piece Driveshaft	J	7	5-1204X*	5-7438X	15-1204X
1999-2004	F-350 Super Duty	2 Piece Driveshaft; w/ 3.625" O.D. Yoke	J	2,3,4,5,6	5-178X*	5-1350-1X* 5-1350X**	15-178X
	F-350 Super Duty	2 Piece Driveshaft; w/ 4.188" O.D. Yoke	J	5,6	5-160X*	5-1410-1X* 5-1410X**	15-160X
	F-350 Super Duty	2 Piece Driveshaft; w/ 3.625" O.D. Yoke; w/o Double Cardan CV Joint	J	7	5-178X*	5-1350-1X* 5-1350X**	15-178X
	F-350 Super Duty	2 Piece Driveshaft; w/ 4.188" O.D. Yoke; w/o Double Cardan CV Joint	J	7	5-160X*	5-1410-1X* 5-1410X**	15-160X
	F-350 Super Duty	2 Piece Driveshaft; w/ 3.625" O.D. Yoke	O	5,6	5-178X*	5-1350-1X* 5-1350X**	15-178X
	F-350 Super Duty	2 Piece Driveshaft; w/ 4.188" O.D. Yoke	O	5,6	5-160X*	5-1410-1X* 5-1410X**	15-160X
	F-350 Super Duty	2 Piece Driveshaft; w/ 3.625" O.D. Yoke; w/ Double Cardan CV Joint	O	7	5-178X*	5-1350-1X* 5-1350X**	15-178X
	F-350 Super Duty	2 Piece Driveshaft; w/ 4.188" O.D. Yoke; w/ Double Cardan CV Joint	O	7	5-160X*	5-1410-1X* 5-1410X**	15-160X
2005	F-350 Super Duty	Cab & Chassis; 2 Piece Driveshaft; w/ 4.188" O.D. Yoke	AE	5,7	5-160X*	5-1410-1X* 5-1410X**	15-160X
2005-2006	F-350 Super Duty	2 Piece Driveshaft	AE	2	5-178X*	5-1350-1X* 5-1350X**	15-178X
	F-350 Super Duty	Extended Cab; 2 Piece Driveshaft; w/ 4.188" O.D. Yoke	AE	5	5-160X*	5-1410-1X* 5-1410X**	15-160X
	F-350 Super Duty	Standard Cab; 2 Piece Driveshaft; w/ 4.188" O.D. Yoke	AE	5	5-160X*	5-1410-1X* 5-1410X**	15-160X
	F-350 Super Duty	2 Piece Driveshaft; w/ 4.188" O.D. Yoke	AE	6	5-160X*	5-1410-1X* 5-1410X**	15-160X
	F-350 Super Duty	Extended Cab; 2 Piece Driveshaft; w/ 4.188" O.D. Yoke; w/o Double Cardan CV Joint	AE	7	5-160X*	5-1410-1X* 5-1410X**	15-160X
	F-350 Super Duty	Standard Cab; 2 Piece Driveshaft; w/ 4.188" O.D. Yoke; w/o Double Cardan CV Joint	AE	7	5-160X*	5-1410-1X* 5-1410X**	15-160X
	F-350 Super Duty	Extended Cab; 2 Piece Driveshaft; w/ 3.625" O.D. Yoke	O	5,6	5-178X*	5-1350-1X* 5-1350X**	15-178X

\* GREASEABLE \*\* NON-GREASEABLE

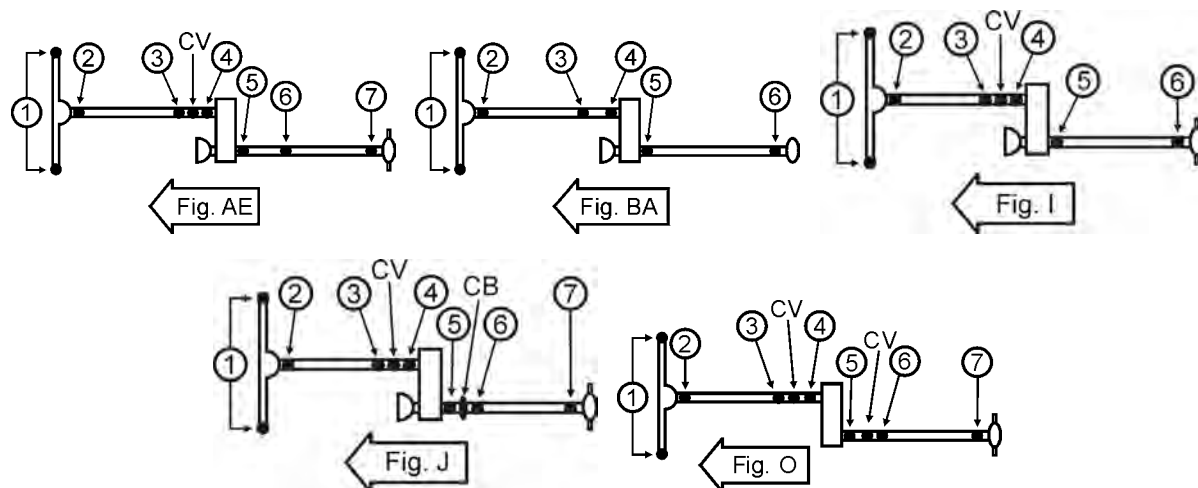
4WD

**Ford (Cont'd)**

Year	Model	Description	Fig.	Location	Spicer Part #	SPL Part #	SVL Part #	
2005-2006	F-350 Super Duty	Standard Cab; 2 Piece Driveshaft; w/ 3.625" O.D. Yoke	0	5,6	5-178X*	5-1350-1X* 5-1350X**	15-178X	
	F-350 Super Duty	Extended Cab; 2 Piece Driveshaft; w/ 4.188" O.D. Yoke; w/ Double Cardan CV Joint	0	7	5-160X*	5-1410-1X* 5-1410X**	15-160X	
	F-350 Super Duty	Standard Cab; 2 Piece Driveshaft; w/ 4.188" O.D. Yoke; w/ Double Cardan CV Joint	0	7	5-160X*	5-1410-1X* 5-1410X**	15-160X	
2005-2013	F-350 Super Duty	2 Piece Driveshaft	AE	1		SPL55-3X** SPL55-4X*		
	F-350 Super Duty	Crew Cab; 2 Piece Driveshaft; w/ 4.188" O.D. Yoke	AE	5,7	5-160X*	5-1410-1X* 5-1410X**	15-160X	
2007-2008	F-350 Super Duty	Cab & Chassis; 2 Piece Driveshaft	AE	2	5-178X*	5-1350-1X* 5-1350X**	15-178X	
	F-350 Super Duty	Crew Cab; 2 Piece Driveshaft	AE	2	5-160X*	5-1410-1X* 5-1410X**	15-160X	
	F-350 Super Duty	Extended Cab; 2 Piece Driveshaft	AE	2	5-160X*	5-1410-1X* 5-1410X**	15-160X	
	F-350 Super Duty	Standard Cab; 2 Piece Driveshaft	AE	2	5-160X*	5-1410-1X* 5-1410X**	15-160X	
	F-350 Super Duty	Cab & Chassis; 1 Piece Driveshaft	BA	2	5-178X*	5-1350-1X* 5-1350X**	15-178X	
	F-350 Super Duty	Crew Cab; 1 Piece Driveshaft	BA	2	5-160X*	5-1410-1X* 5-1410X**	15-160X	
	F-350 Super Duty	Extended Cab; 1 Piece Driveshaft	BA	2	5-160X*	5-1410-1X* 5-1410X**	15-160X	
	F-350 Super Duty	Standard Cab; 1 Piece Driveshaft	BA	2	5-160X*	5-1410-1X* 5-1410X**	15-160X	
	2007-2013	F-350 Super Duty	Cab & Chassis; 2 Piece Driveshaft; w/ 4.188" O.D. Yoke	AE	5,6,7	5-188X*	SPL55-1X* SPL55X**	15-188X
F-350 Super Duty		Extended Cab; 2 Piece Driveshaft; w/ 4.188" O.D. Yoke	AE	5,7	5-160X*	5-1410-1X* 5-1410X**	15-160X	
F-350 Super Duty		Standard Cab; 2 Piece Driveshaft; w/ 4.188" O.D. Yoke	AE	5,7	5-160X*	5-1410-1X* 5-1410X**	15-160X	
F-350 Super Duty		Crew Cab; Extended Cab; Standard Cab; 2 Piece Driveshaft; w/ 4.188" O.D. Yoke	AE	6	5-160X*	5-1410-1X* 5-1410X**	15-160X	
F-350 Super Duty		1 Piece Driveshaft	BA	1		SPL55-3X** SPL55-4X*		
F-350 Super Duty		Cab & Chassis; 1 Piece Driveshaft; w/ 4.188" O.D. Yoke	BA	5,6	5-188X*	SPL55-1X* SPL55X**	15-188X	
F-350 Super Duty		Crew Cab; 1 Piece Driveshaft; w/ 4.188" O.D. Yoke	BA	5,6	5-160X*	5-1410-1X* 5-1410X**	15-160X	
F-350 Super Duty		Extended Cab; 1 Piece Driveshaft; w/ 4.188" O.D. Yoke	BA	5,6	5-160X*	5-1410-1X* 5-1410X**	15-160X	
F-350 Super Duty		Standard Cab; 1 Piece Driveshaft; w/ 4.188" O.D. Yoke	BA	5,6	5-160X*	5-1410-1X* 5-1410X**	15-160X	
F-350 Super Duty		Crew Cab; 2 Piece Driveshaft; CV at Trans; w/ 3.625" O.D. Yoke	0	5,6	5-178X*	5-1350-1X* 5-1350X**	15-178X	
F-350 Super Duty		Extended Cab; 2 Piece Driveshaft; CV at Trans; w/ 3.625" O.D. Yoke	0	5,6	5-178X*	5-1350-1X* 5-1350X**	15-178X	
F-350 Super Duty		Standard Cab; 2 Piece Driveshaft; CV at Trans; w/ 3.625" O.D. Yoke	0	5,6	5-178X*	5-1350-1X* 5-1350X**	15-178X	
F-350 Super Duty		Crew Cab; 2 Piece Driveshaft; CV at Trans; w/ 4.188" O.D. Yoke	0	7	5-160X*	5-1410-1X* 5-1410X**	15-160X	
F-350 Super Duty		Extended Cab; 2 Piece Driveshaft; CV at Trans; w/ 4.188" O.D. Yoke	0	7	5-160X*	5-1410-1X* 5-1410X**	15-160X	
F-350 Super Duty		Standard Cab; 2 Piece Driveshaft; CV at Trans; w/ 4.188" O.D. Yoke	0	7	5-160X*	5-1410-1X* 5-1410X**	15-160X	
2009-2013		F-350 Super Duty	2 Piece Driveshaft	AE	2	5-160X*	5-1410-1X* 5-1410X**	15-160X
		F-350 Super Duty	1 Piece Driveshaft	BA	2	5-160X*	5-1410-1X* 5-1410X**	15-160X
2014		F-350 Super Duty	Platinum; 1 Piece Driveshaft; Dual Rear Wheels	I	5,6	5-160X*	5-1410-1X* 5-1410X**	15-160X
		F-350 Super Duty	XL; Crew Cab; 137.0in WB; 1 Piece Driveshaft; Dual Rear Wheels	I	5,6	5-160X*	5-1410-1X* 5-1410X**	15-160X

\* GREASEABLE \*\* NON-GREASEABLE





Ford (Cont'd)

Year	Model	Description	Fig.	Location	Spicer Part #	SPL Part #	SVL Part #
2014	F-350 Super Duty	XL; Extended Cab; 137.0in WB; 1 Piece Driveshaft; Dual Rear Wheels	I	5,6	5-160X*	5-1410-1X* 5-1410X**	15-160X
	F-350 Super Duty	XL; Standard Cab; 137.0in WB; 1 Piece Driveshaft; Dual Rear Wheels	I	5,6	5-160X*	5-1410-1X* 5-1410X**	15-160X
	F-350 Super Duty	XLT; Crew Cab; 137.0in WB; 1 Piece Driveshaft; Dual Rear Wheels	I	5,6	5-160X*	5-1410-1X* 5-1410X**	15-160X
	F-350 Super Duty	XLT; Extended Cab; 137.0in WB; 1 Piece Driveshaft; Dual Rear Wheels	I	5,6	5-160X*	5-1410-1X* 5-1410X**	15-160X
	F-350 Super Duty	XLT; Standard Cab; 137.0in WB; 1 Piece Driveshaft; Dual Rear Wheels	I	5,6	5-160X*	5-1410-1X* 5-1410X**	15-160X
	F-350 Super Duty	Exc. Cab & Chassis; 2 Piece Driveshaft	J	5,6,7	5-160X*	5-1410-1X* 5-1410X**	15-160X
	F-350 Super Duty	Platinum; 1 Piece Driveshaft; Single Rear Wheels	0	5,6	5-178X*	5-1350-1X* 5-1350X**	15-178X
	F-350 Super Duty	XL; Crew Cab; 137.0in WB; 1 Piece Driveshaft; Single Rear Wheels	0	5,6	5-178X*	5-1350-1X* 5-1350X**	15-178X
	F-350 Super Duty	XL; Crew Cab; 141.8in WB; 1 Piece Driveshaft	0	5,6	5-178X*	5-1350-1X* 5-1350X**	15-178X
	F-350 Super Duty	XL; Extended Cab; 137.0in WB; 1 Piece Driveshaft; Single Rear Wheels	0	5,6	5-178X*	5-1350-1X* 5-1350X**	15-178X
	F-350 Super Duty	XL; Extended Cab; 141.8in WB; 1 Piece Driveshaft	0	5,6	5-178X*	5-1350-1X* 5-1350X**	15-178X
	F-350 Super Duty	XL; Standard Cab; 137.0in WB; 1 Piece Driveshaft; Single Rear Wheels	0	5,6	5-178X*	5-1350-1X* 5-1350X**	15-178X
	F-350 Super Duty	XL; Standard Cab; 141.8in WB; 1 Piece Driveshaft	0	5,6	5-178X*	5-1350-1X* 5-1350X**	15-178X
	F-350 Super Duty	XLT; Crew Cab; 137.0in WB; 1 Piece Driveshaft; Single Rear Wheels	0	5,6	5-178X*	5-1350-1X* 5-1350X**	15-178X
	F-350 Super Duty	XLT; Crew Cab; 141.8in WB; 1 Piece Driveshaft	0	5,6	5-178X*	5-1350-1X* 5-1350X**	15-178X
	F-350 Super Duty	XLT; Extended Cab; 137.0in WB; 1 Piece Driveshaft; Single Rear Wheels	0	5,6	5-178X*	5-1350-1X* 5-1350X**	15-178X
	F-350 Super Duty	XLT; Extended Cab; 141.8in WB; 1 Piece Driveshaft	0	5,6	5-178X*	5-1350-1X* 5-1350X**	15-178X
	F-350 Super Duty	XLT; Standard Cab; 137.0in WB; 1 Piece Driveshaft; Single Rear Wheels	0	5,6	5-178X*	5-1350-1X* 5-1350X**	15-178X
	F-350 Super Duty	XLT; Standard Cab; 141.8in WB; 1 Piece Driveshaft	0	5,6	5-178X*	5-1350-1X* 5-1350X**	15-178X
	F-350 Super Duty	Platinum; 1 Piece Driveshaft; Single Rear Wheels	0	7	5-160X*	5-1410-1X* 5-1410X**	15-160X
F-350 Super Duty	XL; Crew Cab; 137.0in WB; 1 Piece Driveshaft; Single Rear Wheels	0	7	5-160X*	5-1410-1X* 5-1410X**	15-160X	
F-350 Super Duty	XL; Crew Cab; 141.8in WB; 1 Piece Driveshaft	0	7	5-160X*	5-1410-1X* 5-1410X**	15-160X	

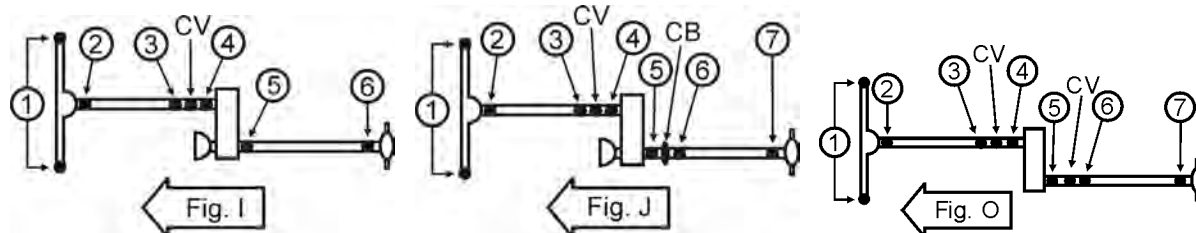
\* GREASEABLE \*\* NON-GREASEABLE

4  
W  
D

**Ford (Cont'd)**

Year	Model	Description	Fig.	Location	Spicer Part #	SPL Part #	SVL Part #
2014	F-350 Super Duty	XL; Extended Cab; 137.0in WB; 1 Piece Driveshaft; Single Rear Wheels	0	7	5-160X*	5-1410-1X* 5-1410X**	15-160X
	F-350 Super Duty	XL; Extended Cab; 141.8in WB; 1 Piece Driveshaft	0	7	5-160X*	5-1410-1X* 5-1410X**	15-160X
	F-350 Super Duty	XL; Standard Cab; 137.0in WB; 1 Piece Driveshaft; Single Rear Wheels	0	7	5-160X*	5-1410-1X* 5-1410X**	15-160X
	F-350 Super Duty	XL; Standard Cab; 141.8in WB; 1 Piece Driveshaft	0	7	5-160X*	5-1410-1X* 5-1410X**	15-160X
	F-350 Super Duty	XLT; Crew Cab; 137.0in WB; 1 Piece Driveshaft; Single Rear Wheels	0	7	5-160X*	5-1410-1X* 5-1410X**	15-160X
	F-350 Super Duty	XLT; Crew Cab; 141.8in WB; 1 Piece Driveshaft	0	7	5-160X*	5-1410-1X* 5-1410X**	15-160X
	F-350 Super Duty	XLT; Extended Cab; 137.0in WB; 1 Piece Driveshaft; Single Rear Wheels	0	7	5-160X*	5-1410-1X* 5-1410X**	15-160X
	F-350 Super Duty	XLT; Extended Cab; 141.8in WB; 1 Piece Driveshaft	0	7	5-160X*	5-1410-1X* 5-1410X**	15-160X
	F-350 Super Duty	XLT; Standard Cab; 137.0in WB; 1 Piece Driveshaft; Single Rear Wheels	0	7	5-160X*	5-1410-1X* 5-1410X**	15-160X
	F-350 Super Duty	XLT; Standard Cab; 141.8in WB; 1 Piece Driveshaft	0	7	5-160X*	5-1410-1X* 5-1410X**	15-160X
2014-2015	F-350 Super Duty	1 Piece Driveshaft	0	1		SPL55-3X** SPL55-4X*	
	F-350 Super Duty	1 Piece Driveshaft	0	2	5-160X*	5-1410-1X* 5-1410X**	15-160X
2015	F-350 Super Duty	Platinum; Exc. Cab & Chassis; 1 Piece Driveshaft; Dual Rear Wheels	I	5	5-160X*	5-1410-1X* 5-1410X**	15-160X
	F-350 Super Duty	XL; Exc. Cab & Chassis; 137.0in WB; 1 Piece Driveshaft; Dual Rear Wheels	I	5	5-160X*	5-1410-1X* 5-1410X**	15-160X
	F-350 Super Duty	XLT; Exc. Cab & Chassis; 137.0in WB; 1 Piece Driveshaft; Dual Rear Wheels	I	5	5-160X*	5-1410-1X* 5-1410X**	15-160X
	F-350 Super Duty	Cab & Chassis; 1 Piece Driveshaft; Dual Rear Wheels	I	5,6	5-188X*	SPL55-1X* SPL55X**	15-188X
	F-350 Super Duty	King Ranch; Exc. Cab & Chassis; 2 Piece Driveshaft	J	7	5-160X*	5-1410-1X* 5-1410X**	15-160X
	F-350 Super Duty	Lariat; Exc. Cab & Chassis; 2 Piece Driveshaft	J	7	5-160X*	5-1410-1X* 5-1410X**	15-160X
	F-350 Super Duty	Platinum; Exc. Cab & Chassis; 2 Piece Driveshaft	J	7	5-160X*	5-1410-1X* 5-1410X**	15-160X
	F-350 Super Duty	XL; Exc. Cab & Chassis; 2 Piece Driveshaft	J	7	5-160X*	5-1410-1X* 5-1410X**	15-160X
	F-350 Super Duty	Lariat; Exc. Cab & Chassis; 1 Piece Driveshaft	0	5,6	5-178X*	5-1350-1X* 5-1350X**	15-178X
	F-350 Super Duty	Platinum; Exc. Cab & Chassis; 1 Piece Driveshaft; Dual Rear Wheels	0	5,6	5-178X*	5-1350-1X* 5-1350X**	15-178X
	F-350 Super Duty	XL; Exc. Cab & Chassis; 137.0in WB; 1 Piece Driveshaft; Dual Rear Wheels	0	5,6	5-178X*	5-1350-1X* 5-1350X**	15-178X
	F-350 Super Duty	XL; Exc. Cab & Chassis; 141.8in WB; 1 Piece Driveshaft	0	5,6	5-178X*	5-1350-1X* 5-1350X**	15-178X
	F-350 Super Duty	XLT; Exc. Cab & Chassis; 137.0in WB; 1 Piece Driveshaft; Dual Rear Wheels	0	5,6	5-178X*	5-1350-1X* 5-1350X**	15-178X
	F-350 Super Duty	XLT; Exc. Cab & Chassis; 141.8in WB; 1 Piece Driveshaft	0	5,6	5-178X*	5-1350-1X* 5-1350X**	15-178X
	F-350 Super Duty	Lariat; Exc. Cab & Chassis; 1 Piece Driveshaft	0	7	5-160X*	5-1410-1X* 5-1410X**	15-160X
	F-350 Super Duty	Platinum; Exc. Cab & Chassis; 1 Piece Driveshaft; Dual Rear Wheels	0	7	5-160X*	5-1410-1X* 5-1410X**	15-160X
	F-350 Super Duty	XL; Exc. Cab & Chassis; 137.0in WB; 1 Piece Driveshaft; Dual Rear Wheels	0	7	5-160X*	5-1410-1X* 5-1410X**	15-160X
	F-350 Super Duty	XL; Exc. Cab & Chassis; 141.8in WB; 1 Piece Driveshaft	0	7	5-160X*	5-1410-1X* 5-1410X**	15-160X
	F-350 Super Duty	XLT; Exc. Cab & Chassis; 137.0in WB; 1 Piece Driveshaft; Dual Rear Wheels	0	7	5-160X*	5-1410-1X* 5-1410X**	15-160X
	F-350 Super Duty	XLT; Exc. Cab & Chassis; 141.8in WB; 1 Piece Driveshaft	0	7	5-160X*	5-1410-1X* 5-1410X**	15-160X

\* GREASEABLE \*\* NON-GREASEABLE



Ford (Cont'd)

Year	Model	Description	Fig.	Location	Spicer Part #	SPL Part #	SVL Part #
2016	F-350 Super Duty	V8 6.2L; XL; Cab & Chassis; 1 Piece Driveshaft	I	2	5-160X*	5-1410-1X* 5-1410X**	15-160X
	F-350 Super Duty	V8 6.2L; XLT; Cab & Chassis; 1 Piece Driveshaft	I	2	5-160X*	5-1410-1X* 5-1410X**	15-160X
	F-350 Super Duty	V8 6.7L; XLT; Cab & Chassis; 1 Piece Driveshaft	I	2	5-160X*	5-1410-1X* 5-1410X**	15-160X
	F-350 Super Duty	V8 6.2L; Platinum; Crew Cab; 1 Piece Driveshaft; Dual Rear Wheels	I	5	5-160X*	5-1410-1X* 5-1410X**	15-160X
	F-350 Super Duty	V8 6.2L; XL; Crew Cab; 137.0in WB; 1 Piece Driveshaft; Dual Rear Wheels	I	5	5-160X*	5-1410-1X* 5-1410X**	15-160X
	F-350 Super Duty	V8 6.2L; XL; Extended Cab; 137.0in WB; 1 Piece Driveshaft; Dual Rear Wheels	I	5	5-160X*	5-1410-1X* 5-1410X**	15-160X
	F-350 Super Duty	V8 6.2L; XL; Standard Cab; 137.0in WB; 1 Piece Driveshaft; Dual Rear Wheels	I	5	5-160X*	5-1410-1X* 5-1410X**	15-160X
	F-350 Super Duty	V8 6.2L; XLT; Crew Cab; 137.0in WB; 1 Piece Driveshaft; Dual Rear Wheels	I	5	5-160X*	5-1410-1X* 5-1410X**	15-160X
	F-350 Super Duty	V8 6.2L; XLT; Extended Cab; 137.0in WB; 1 Piece Driveshaft; Dual Rear Wheels	I	5	5-160X*	5-1410-1X* 5-1410X**	15-160X
	F-350 Super Duty	V8 6.2L; XLT; Standard Cab; 137.0in WB; 1 Piece Driveshaft; Dual Rear Wheels	I	5	5-160X*	5-1410-1X* 5-1410X**	15-160X
	F-350 Super Duty	V8 6.7L; Platinum; Crew Cab; 1 Piece Driveshaft; Dual Rear Wheels	I	5	5-160X*	5-1410-1X* 5-1410X**	15-160X
	F-350 Super Duty	V8 6.7L; XL; Crew Cab; 137.0in WB; 1 Piece Driveshaft; Dual Rear Wheels	I	5	5-160X*	5-1410-1X* 5-1410X**	15-160X
	F-350 Super Duty	V8 6.7L; XL; Extended Cab; 137.0in WB; 1 Piece Driveshaft; Dual Rear Wheels	I	5	5-160X*	5-1410-1X* 5-1410X**	15-160X
	F-350 Super Duty	V8 6.7L; XL; Standard Cab; 137.0in WB; 1 Piece Driveshaft; Dual Rear Wheels	I	5	5-160X*	5-1410-1X* 5-1410X**	15-160X
	F-350 Super Duty	V8 6.7L; XLT; Crew Cab; 137.0in WB; 1 Piece Driveshaft; Dual Rear Wheels	I	5	5-160X*	5-1410-1X* 5-1410X**	15-160X
	F-350 Super Duty	V8 6.7L; XLT; Extended Cab; 137.0in WB; 1 Piece Driveshaft; Dual Rear Wheels	I	5	5-160X*	5-1410-1X* 5-1410X**	15-160X
	F-350 Super Duty	V8 6.7L; XLT; Standard Cab; 137.0in WB; 1 Piece Driveshaft; Dual Rear Wheels	I	5	5-160X*	5-1410-1X* 5-1410X**	15-160X
	F-350 Super Duty	V8 6.2L; XL; Cab & Chassis; 1 Piece Driveshaft; Dual Rear Wheels	I	5,6	5-188X*	SPL55-1X* SPL55X**	15-188X
	F-350 Super Duty	V8 6.2L; XLT; Cab & Chassis; 1 Piece Driveshaft; Dual Rear Wheels	I	5,6	5-188X*	SPL55-1X* SPL55X**	15-188X
	F-350 Super Duty	V8 6.7L; XL; Cab & Chassis; 1 Piece Driveshaft; Dual Rear Wheels	I	5,6	5-188X*	SPL55-1X* SPL55X**	15-188X
	F-350 Super Duty	V8 6.7L; XLT; Cab & Chassis; 1 Piece Driveshaft; Dual Rear Wheels	I	5,6	5-188X*	SPL55-1X* SPL55X**	15-188X
	F-350 Super Duty	V8 6.2L; 2 Piece Driveshaft	J	1		SPL55-3X** SPL55-4X*	
	F-350 Super Duty	V8 6.7L; 2 Piece Driveshaft	J	1		SPL55-3X** SPL55-4X*	
	F-350 Super Duty	V8 6.2L; Lariat; Cab & Chassis; 2 Piece Driveshaft	J	2	5-160X*	5-1410-1X* 5-1410X**	15-160X
	F-350 Super Duty	V8 6.2L; Platinum; Crew Cab; 2 Piece Driveshaft	J	2	5-178X*	5-1350-1X* 5-1350X**	15-178X
	F-350 Super Duty	V8 6.2L; XL; Cab & Chassis; 2 Piece Driveshaft	J	2	5-178X*	5-1350-1X* 5-1350X**	15-178X
	F-350 Super Duty	V8 6.2L; XL; Crew Cab; 2 Piece Driveshaft	J	2	5-178X*	5-1350-1X* 5-1350X**	15-178X

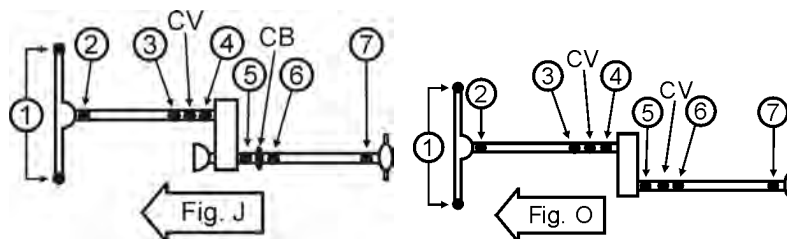
\* GREASEABLE \*\* NON-GREASEABLE

4  
W  
D

**Ford (Cont'd)**

Year	Model	Description	Fig.	Location	Spicer Part #	SPL Part #	SVL Part #
2016	F-350 Super Duty	V8 6.2L; XL; Extended Cab; 2 Piece Driveshaft	J	2	5-178X*	5-1350-1X* 5-1350X**	15-178X
	F-350 Super Duty	V8 6.2L; XL; Standard Cab; 2 Piece Driveshaft	J	2	5-178X*	5-1350-1X* 5-1350X**	15-178X
	F-350 Super Duty	V8 6.2L; XLT; Cab & Chassis; 2 Piece Driveshaft	J	2	5-160X*	5-1410-1X* 5-1410X**	15-160X
	F-350 Super Duty	V8 6.7L; Lariat; Cab & Chassis; 2 Piece Driveshaft	J	2	5-160X*	5-1410-1X* 5-1410X**	15-160X
	F-350 Super Duty	V8 6.7L; Platinum; Crew Cab; 2 Piece Driveshaft	J	2	5-178X*	5-1350-1X* 5-1350X**	15-178X
	F-350 Super Duty	V8 6.7L; XL; Cab & Chassis; 2 Piece Driveshaft	J	2	5-178X*	5-1350-1X* 5-1350X**	15-178X
	F-350 Super Duty	V8 6.7L; XL; Crew Cab; 2 Piece Driveshaft	J	2	5-178X*	5-1350-1X* 5-1350X**	15-178X
	F-350 Super Duty	V8 6.7L; XL; Extended Cab; 2 Piece Driveshaft	J	2	5-178X*	5-1350-1X* 5-1350X**	15-178X
	F-350 Super Duty	V8 6.7L; XL; Standard Cab; 2 Piece Driveshaft	J	2	5-178X*	5-1350-1X* 5-1350X**	15-178X
	F-350 Super Duty	V8 6.7L; XLT; Cab & Chassis; 2 Piece Driveshaft	J	2	5-160X*	5-1410-1X* 5-1410X**	15-160X
	F-350 Super Duty	V8 6.2L; King Ranch; Crew Cab; 2 Piece Driveshaft	J	2,5,6,7	5-160X*	5-1410-1X* 5-1410X**	15-160X
	F-350 Super Duty	V8 6.2L; Lariat; Crew Cab; 2 Piece Driveshaft	J	2,5,6,7	5-160X*	5-1410-1X* 5-1410X**	15-160X
	F-350 Super Duty	V8 6.2L; Lariat; Extended Cab; 2 Piece Driveshaft	J	2,5,6,7	5-160X*	5-1410-1X* 5-1410X**	15-160X
	F-350 Super Duty	V8 6.2L; XLT; Crew Cab; 2 Piece Driveshaft	J	2,5,6,7	5-160X*	5-1410-1X* 5-1410X**	15-160X
	F-350 Super Duty	V8 6.2L; XLT; Extended Cab; 2 Piece Driveshaft	J	2,5,6,7	5-160X*	5-1410-1X* 5-1410X**	15-160X
	F-350 Super Duty	V8 6.2L; XLT; Standard Cab; 2 Piece Driveshaft	J	2,5,6,7	5-160X*	5-1410-1X* 5-1410X**	15-160X
	F-350 Super Duty	V8 6.7L; King Ranch; Crew Cab; 2 Piece Driveshaft	J	2,5,6,7	5-160X*	5-1410-1X* 5-1410X**	15-160X
	F-350 Super Duty	V8 6.7L; Lariat; Crew Cab; 2 Piece Driveshaft	J	2,5,6,7	5-160X*	5-1410-1X* 5-1410X**	15-160X
	F-350 Super Duty	V8 6.7L; Lariat; Extended Cab; 2 Piece Driveshaft	J	2,5,6,7	5-160X*	5-1410-1X* 5-1410X**	15-160X
	F-350 Super Duty	V8 6.7L; XLT; Crew Cab; 2 Piece Driveshaft	J	2,5,6,7	5-160X*	5-1410-1X* 5-1410X**	15-160X
	F-350 Super Duty	V8 6.7L; XLT; Extended Cab; 2 Piece Driveshaft	J	2,5,6,7	5-160X*	5-1410-1X* 5-1410X**	15-160X
	F-350 Super Duty	V8 6.7L; XLT; Standard Cab; 2 Piece Driveshaft	J	2,5,6,7	5-160X*	5-1410-1X* 5-1410X**	15-160X
	F-350 Super Duty	V8 6.2L; Lariat; Cab & Chassis; 2 Piece Driveshaft	J	5,6,7	5-188X*	SPL55-1X* SPL55X**	15-188X
	F-350 Super Duty	V8 6.2L; Platinum; Crew Cab; 2 Piece Driveshaft	J	5,6,7	5-160X*	5-1410-1X* 5-1410X**	15-160X
	F-350 Super Duty	V8 6.2L; XL; Cab & Chassis; 2 Piece Driveshaft	J	5,6,7	5-188X*	SPL55-1X* SPL55X**	15-188X
	F-350 Super Duty	V8 6.2L; XL; Crew Cab; 2 Piece Driveshaft	J	5,6,7	5-160X*	5-1410-1X* 5-1410X**	15-160X
	F-350 Super Duty	V8 6.2L; XL; Extended Cab; 2 Piece Driveshaft	J	5,6,7	5-160X*	5-1410-1X* 5-1410X**	15-160X
	F-350 Super Duty	V8 6.2L; XL; Standard Cab; 2 Piece Driveshaft	J	5,6,7	5-160X*	5-1410-1X* 5-1410X**	15-160X
	F-350 Super Duty	V8 6.2L; XLT; Cab & Chassis; 2 Piece Driveshaft	J	5,6,7	5-188X*	SPL55-1X* SPL55X**	15-188X
	F-350 Super Duty	V8 6.7L; Lariat; Cab & Chassis; 2 Piece Driveshaft	J	5,6,7	5-188X*	SPL55-1X* SPL55X**	15-188X
	F-350 Super Duty	V8 6.7L; Platinum; Crew Cab; 2 Piece Driveshaft	J	5,6,7	5-160X*	5-1410-1X* 5-1410X**	15-160X
	F-350 Super Duty	V8 6.7L; XLT; Cab & Chassis; 2 Piece Driveshaft	J	5,6,7	5-188X*	SPL55-1X* SPL55X**	15-188X

\* GREASEABLE \*\* NON-GREASEABLE



Ford (Cont'd)

Year	Model	Description	Fig.	Location	Spicer Part #	SPL Part #	SVL Part #
2016	F-350 Super Duty	V8 6.7L; XL; Cab & Chassis; 2 Piece Driveshaft	J	6	5-188X*	SPL55-1X* SPL55X**	15-188X
	F-350 Super Duty	V8 6.7L; XL; Crew Cab; 2 Piece Driveshaft	J	6	5-160X*	5-1410-1X* 5-1410X**	15-160X
	F-350 Super Duty	V8 6.7L; XL; Extended Cab; 2 Piece Driveshaft	J	6	5-160X*	5-1410-1X* 5-1410X**	15-160X
	F-350 Super Duty	V8 6.7L; XL; Standard Cab; 2 Piece Driveshaft	J	6	5-160X*	5-1410-1X* 5-1410X**	15-160X
	F-350 Super Duty	V8 6.2L; 1 Piece Driveshaft	0	1		SPL55-3X** SPL55-4X*	
	F-350 Super Duty	V8 6.7L; 1 Piece Driveshaft	0	1		SPL55-3X** SPL55-4X*	
	F-350 Super Duty	V8 6.2L; Lariat; Crew Cab; 1 Piece Driveshaft	0	2	5-160X*	5-1410-1X* 5-1410X**	15-160X
	F-350 Super Duty	V8 6.2L; Lariat; Extended Cab; 1 Piece Driveshaft	0	2	5-160X*	5-1410-1X* 5-1410X**	15-160X
	F-350 Super Duty	V8 6.2L; Platinum; Crew Cab; 1 Piece Driveshaft	0	2	5-160X*	5-1410-1X* 5-1410X**	15-160X
	F-350 Super Duty	V8 6.2L; XL; Crew Cab; 1 Piece Driveshaft	0	2	5-160X*	5-1410-1X* 5-1410X**	15-160X
	F-350 Super Duty	V8 6.2L; XL; Extended Cab; 1 Piece Driveshaft	0	2	5-160X*	5-1410-1X* 5-1410X**	15-160X
	F-350 Super Duty	V8 6.2L; XL; Standard Cab; 1 Piece Driveshaft	0	2	5-160X*	5-1410-1X* 5-1410X**	15-160X
	F-350 Super Duty	V8 6.2L; XLT; Crew Cab; 1 Piece Driveshaft	0	2	5-160X*	5-1410-1X* 5-1410X**	15-160X
	F-350 Super Duty	V8 6.2L; XLT; Extended Cab; 1 Piece Driveshaft	0	2	5-160X*	5-1410-1X* 5-1410X**	15-160X
	F-350 Super Duty	V8 6.2L; XLT; Standard Cab; 1 Piece Driveshaft	0	2	5-160X*	5-1410-1X* 5-1410X**	15-160X
	F-350 Super Duty	V8 6.7L; Lariat; Crew Cab; 1 Piece Driveshaft	0	2	5-160X*	5-1410-1X* 5-1410X**	15-160X
	F-350 Super Duty	V8 6.7L; Lariat; Extended Cab; 1 Piece Driveshaft	0	2	5-160X*	5-1410-1X* 5-1410X**	15-160X
	F-350 Super Duty	V8 6.7L; Platinum; Crew Cab; 1 Piece Driveshaft	0	2	5-160X*	5-1410-1X* 5-1410X**	15-160X
	F-350 Super Duty	V8 6.7L; XLT; Crew Cab; 1 Piece Driveshaft	0	2	5-160X*	5-1410-1X* 5-1410X**	15-160X
	F-350 Super Duty	V8 6.7L; XLT; Extended Cab; 1 Piece Driveshaft	0	2	5-160X*	5-1410-1X* 5-1410X**	15-160X
	F-350 Super Duty	V8 6.7L; XLT; Standard Cab; 1 Piece Driveshaft	0	2	5-160X*	5-1410-1X* 5-1410X**	15-160X
	F-350 Super Duty	V8 6.2L; Lariat; Crew Cab; 1 Piece Driveshaft	0	5,6	5-178X*	5-1350-1X* 5-1350X**	15-178X
	F-350 Super Duty	V8 6.2L; Lariat; Extended Cab; 1 Piece Driveshaft	0	5,6	5-178X*	5-1350-1X* 5-1350X**	15-178X
F-350 Super Duty	V8 6.2L; Platinum; Crew Cab; 1 Piece Driveshaft; Dual Rear Wheels	0	5,6	5-178X*	5-1350-1X* 5-1350X**	15-178X	
F-350 Super Duty	V8 6.2L; XL; Crew Cab; 137.0in WB; 1 Piece Driveshaft; Dual Rear Wheels	0	5,6	5-178X*	5-1350-1X* 5-1350X**	15-178X	
F-350 Super Duty	V8 6.2L; XL; Crew Cab; 141.8in WB; 1 Piece Driveshaft	0	5,6	5-178X*	5-1350-1X* 5-1350X**	15-178X	
F-350 Super Duty	V8 6.2L; XL; Extended Cab; 137.0in WB; 1 Piece Driveshaft; Dual Rear Wheels	0	5,6	5-178X*	5-1350-1X* 5-1350X**	15-178X	

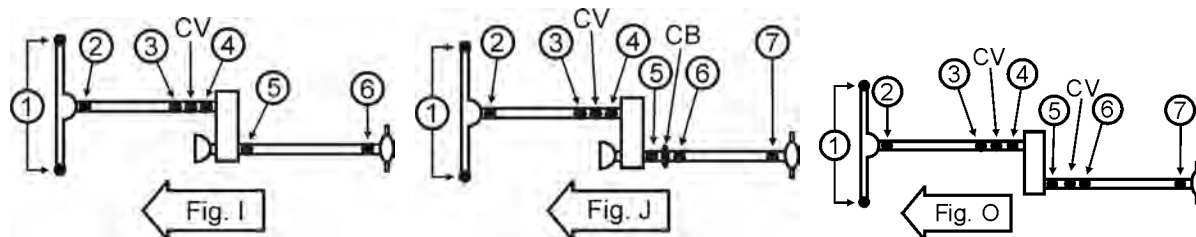
\* GREASEABLE \*\* NON-GREASEABLE

4  
W  
D

**Ford (Cont'd)**

Year	Model	Description	Fig.	Location	Spicer Part #	SPL Part #	SVL Part #
2016	F-350 Super Duty	V8 6.2L; XL; Extended Cab; 141.8in WB; 1 Piece Driveshaft	0	5,6	5-178X*	5-1350-1X* 5-1350X**	15-178X
	F-350 Super Duty	V8 6.2L; XL; Standard Cab; 137.0in WB; 1 Piece Driveshaft; Dual Rear Wheels	0	5,6	5-178X*	5-1350-1X* 5-1350X**	15-178X
	F-350 Super Duty	V8 6.2L; XL; Standard Cab; 141.8in WB; 1 Piece Driveshaft	0	5,6	5-178X*	5-1350-1X* 5-1350X**	15-178X
	F-350 Super Duty	V8 6.2L; XLT; Crew Cab; 137.0in WB; 1 Piece Driveshaft; Dual Rear Wheels	0	5,6	5-178X*	5-1350-1X* 5-1350X**	15-178X
	F-350 Super Duty	V8 6.2L; XLT; Crew Cab; 141.8in WB; 1 Piece Driveshaft	0	5,6	5-178X*	5-1350-1X* 5-1350X**	15-178X
	F-350 Super Duty	V8 6.2L; XLT; Extended Cab; 137.0in WB; 1 Piece Driveshaft; Dual Rear Wheels	0	5,6	5-178X*	5-1350-1X* 5-1350X**	15-178X
	F-350 Super Duty	V8 6.2L; XLT; Extended Cab; 141.8in WB; 1 Piece Driveshaft	0	5,6	5-178X*	5-1350-1X* 5-1350X**	15-178X
	F-350 Super Duty	V8 6.2L; XLT; Standard Cab; 137.0in WB; 1 Piece Driveshaft; Dual Rear Wheels	0	5,6	5-178X*	5-1350-1X* 5-1350X**	15-178X
	F-350 Super Duty	V8 6.2L; XLT; Standard Cab; 141.8in WB; 1 Piece Driveshaft	0	5,6	5-178X*	5-1350-1X* 5-1350X**	15-178X
	F-350 Super Duty	V8 6.7L; Lariat; Crew Cab; 1 Piece Driveshaft	0	5,6	5-178X*	5-1350-1X* 5-1350X**	15-178X
	F-350 Super Duty	V8 6.7L; Lariat; Extended Cab; 1 Piece Driveshaft	0	5,6	5-178X*	5-1350-1X* 5-1350X**	15-178X
	F-350 Super Duty	V8 6.7L; Platinum; Crew Cab; 1 Piece Driveshaft; Dual Rear Wheels	0	5,6	5-178X*	5-1350-1X* 5-1350X**	15-178X
	F-350 Super Duty	V8 6.7L; XL; Crew Cab; 137.0in WB; 1 Piece Driveshaft; Dual Rear Wheels	0	5,6	5-178X*	5-1350-1X* 5-1350X**	15-178X
	F-350 Super Duty	V8 6.7L; XL; Crew Cab; 141.8in WB; 1 Piece Driveshaft	0	5,6	5-178X*	5-1350-1X* 5-1350X**	15-178X
	F-350 Super Duty	V8 6.7L; XL; Extended Cab; 137.0in WB; 1 Piece Driveshaft; Dual Rear Wheels	0	5,6	5-178X*	5-1350-1X* 5-1350X**	15-178X
	F-350 Super Duty	V8 6.7L; XL; Extended Cab; 141.8in WB; 1 Piece Driveshaft	0	5,6	5-178X*	5-1350-1X* 5-1350X**	15-178X
	F-350 Super Duty	V8 6.7L; XL; Standard Cab; 137.0in WB; 1 Piece Driveshaft; Dual Rear Wheels	0	5,6	5-178X*	5-1350-1X* 5-1350X**	15-178X
	F-350 Super Duty	V8 6.7L; XL; Standard Cab; 141.8in WB; 1 Piece Driveshaft	0	5,6	5-178X*	5-1350-1X* 5-1350X**	15-178X
	F-350 Super Duty	V8 6.7L; XLT; Crew Cab; 137.0in WB; 1 Piece Driveshaft; Dual Rear Wheels	0	5,6	5-178X*	5-1350-1X* 5-1350X**	15-178X
	F-350 Super Duty	V8 6.7L; XLT; Crew Cab; 141.8in WB; 1 Piece Driveshaft	0	5,6	5-178X*	5-1350-1X* 5-1350X**	15-178X
	F-350 Super Duty	V8 6.7L; XLT; Extended Cab; 137.0in WB; 1 Piece Driveshaft; Dual Rear Wheels	0	5,6	5-178X*	5-1350-1X* 5-1350X**	15-178X
	F-350 Super Duty	V8 6.7L; XLT; Extended Cab; 141.8in WB; 1 Piece Driveshaft	0	5,6	5-178X*	5-1350-1X* 5-1350X**	15-178X
	F-350 Super Duty	V8 6.7L; XLT; Standard Cab; 137.0in WB; 1 Piece Driveshaft; Dual Rear Wheels	0	5,6	5-178X*	5-1350-1X* 5-1350X**	15-178X
	F-350 Super Duty	V8 6.7L; XLT; Standard Cab; 141.8in WB; 1 Piece Driveshaft	0	5,6	5-178X*	5-1350-1X* 5-1350X**	15-178X
	F-350 Super Duty	V8 6.2L; Lariat; Crew Cab; 1 Piece Driveshaft	0	7	5-160X*	5-1410-1X* 5-1410X**	15-160X
	F-350 Super Duty	V8 6.2L; Lariat; Extended Cab; 1 Piece Driveshaft	0	7	5-160X*	5-1410-1X* 5-1410X**	15-160X
	F-350 Super Duty	V8 6.2L; Platinum; Crew Cab; 1 Piece Driveshaft; Dual Rear Wheels	0	7	5-160X*	5-1410-1X* 5-1410X**	15-160X
	F-350 Super Duty	V8 6.2L; XL; Crew Cab; 137.0in WB; 1 Piece Driveshaft; Dual Rear Wheels	0	7	5-160X*	5-1410-1X* 5-1410X**	15-160X
	F-350 Super Duty	V8 6.2L; XL; Crew Cab; 141.8in WB; 1 Piece Driveshaft	0	7	5-160X*	5-1410-1X* 5-1410X**	15-160X
	F-350 Super Duty	V8 6.2L; XL; Extended Cab; 137.0in WB; 1 Piece Driveshaft; Dual Rear Wheels	0	7	5-160X*	5-1410-1X* 5-1410X**	15-160X
	F-350 Super Duty	V8 6.2L; XL; Extended Cab; 141.8in WB; 1 Piece Driveshaft	0	7	5-160X*	5-1410-1X* 5-1410X**	15-160X
	F-350 Super Duty	V8 6.2L; XL; Standard Cab; 137.0in WB; 1 Piece Driveshaft; Dual Rear Wheels	0	7	5-160X*	5-1410-1X* 5-1410X**	15-160X

\* GREASEABLE \*\* NON-GREASEABLE



Ford (Cont'd)

Year	Model	Description	Fig.	Location	Spicer Part #	SPL Part #	SVL Part #	
2016	F-350 Super Duty	V8 6.2L; XL; Standard Cab; 141.8in WB; 1 Piece Driveshaft	0	7	5-160X*	5-1410-1X* 5-1410X**	15-160X	
	F-350 Super Duty	V8 6.2L; XLT; Crew Cab; 137.0in WB; 1 Piece Driveshaft; Dual Rear Wheels	0	7	5-160X*	5-1410-1X* 5-1410X**	15-160X	
	F-350 Super Duty	V8 6.2L; XLT; Crew Cab; 141.8in WB; 1 Piece Driveshaft	0	7	5-160X*	5-1410-1X* 5-1410X**	15-160X	
	F-350 Super Duty	V8 6.2L; XLT; Extended Cab; 137.0in WB; 1 Piece Driveshaft; Dual Rear Wheels	0	7	5-160X*	5-1410-1X* 5-1410X**	15-160X	
	F-350 Super Duty	V8 6.2L; XLT; Extended Cab; 141.8in WB; 1 Piece Driveshaft	0	7	5-160X*	5-1410-1X* 5-1410X**	15-160X	
	F-350 Super Duty	V8 6.2L; XLT; Standard Cab; 137.0in WB; 1 Piece Driveshaft; Dual Rear Wheels	0	7	5-160X*	5-1410-1X* 5-1410X**	15-160X	
	F-350 Super Duty	V8 6.2L; XLT; Standard Cab; 141.8in WB; 1 Piece Driveshaft	0	7	5-160X*	5-1410-1X* 5-1410X**	15-160X	
	F-350 Super Duty	V8 6.7L; Lariat; Crew Cab; 1 Piece Driveshaft	0	7	5-160X*	5-1410-1X* 5-1410X**	15-160X	
	F-350 Super Duty	V8 6.7L; Lariat; Extended Cab; 1 Piece Driveshaft	0	7	5-160X*	5-1410-1X* 5-1410X**	15-160X	
	F-350 Super Duty	V8 6.7L; Platinum; Crew Cab; 1 Piece Driveshaft; Dual Rear Wheels	0	7	5-160X*	5-1410-1X* 5-1410X**	15-160X	
	F-350 Super Duty	V8 6.7L; XL; Crew Cab; 137.0in WB; 1 Piece Driveshaft; Dual Rear Wheels	0	7	5-160X*	5-1410-1X* 5-1410X**	15-160X	
	F-350 Super Duty	V8 6.7L; XL; Crew Cab; 141.8in WB; 1 Piece Driveshaft	0	7	5-160X*	5-1410-1X* 5-1410X**	15-160X	
	F-350 Super Duty	V8 6.7L; XL; Extended Cab; 137.0in WB; 1 Piece Driveshaft; Dual Rear Wheels	0	7	5-160X*	5-1410-1X* 5-1410X**	15-160X	
	F-350 Super Duty	V8 6.7L; XL; Extended Cab; 141.8in WB; 1 Piece Driveshaft	0	7	5-160X*	5-1410-1X* 5-1410X**	15-160X	
	F-350 Super Duty	V8 6.7L; XL; Standard Cab; 137.0in WB; 1 Piece Driveshaft; Dual Rear Wheels	0	7	5-160X*	5-1410-1X* 5-1410X**	15-160X	
	F-350 Super Duty	V8 6.7L; XL; Standard Cab; 141.8in WB; 1 Piece Driveshaft	0	7	5-160X*	5-1410-1X* 5-1410X**	15-160X	
	F-350 Super Duty	V8 6.7L; XLT; Crew Cab; 137.0in WB; 1 Piece Driveshaft; Dual Rear Wheels	0	7	5-160X*	5-1410-1X* 5-1410X**	15-160X	
	F-350 Super Duty	V8 6.7L; XLT; Crew Cab; 141.8in WB; 1 Piece Driveshaft	0	7	5-160X*	5-1410-1X* 5-1410X**	15-160X	
	2017	F-350 Super Duty	Platinum; Crew Cab; 1 Piece Driveshaft; Dual Rear Wheels	I	5	5-160X*	5-1410-1X* 5-1410X**	15-160X
		F-350 Super Duty	XL; Cab & Chassis; 1 Piece Driveshaft; Dual Rear Wheels	I	5,6	5-188X*	SPL55-1X* SPL55X**	15-188X
F-350 Super Duty		XLT; Cab & Chassis; 1 Piece Driveshaft; Dual Rear Wheels	I	5,6	5-188X*	SPL55-1X* SPL55X**	15-188X	
F-350 Super Duty		2 Piece Driveshaft	J	1		SPL55-3X** SPL55-4X*		
F-350 Super Duty		King Ranch; 2 Piece Driveshaft	J	2	5-160X*	5-1410-1X* 5-1410X**	15-160X	

\* GREASEABLE \*\* NON-GREASEABLE

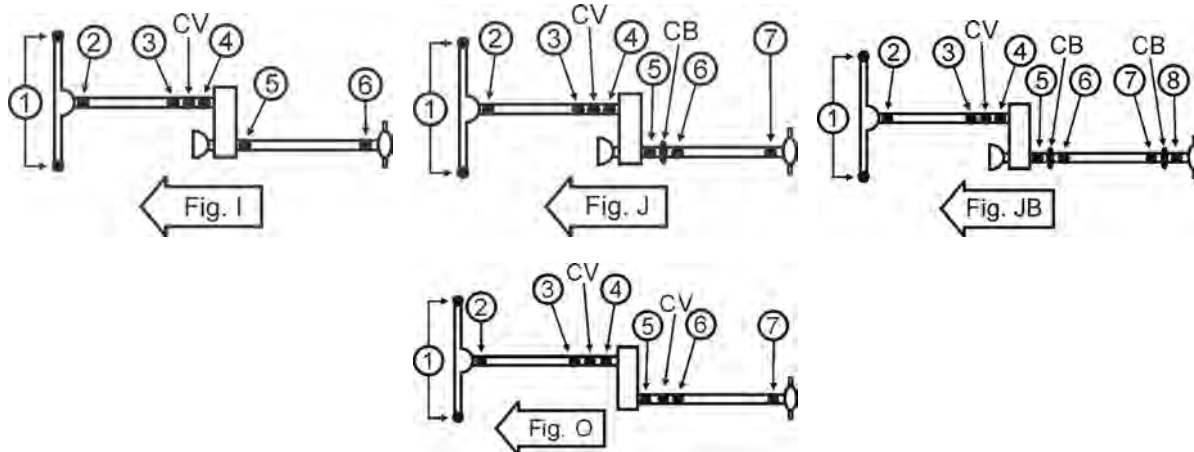
4 W D

**Ford (Cont'd)**

Year	Model	Description	Fig.	Location	Spicer Part #	SPL Part #	SVL Part #
2017	F-350 Super Duty	Lariat; 2 Piece Driveshaft	J	2	5-160X*	5-1410-1X* 5-1410X**	15-160X
	F-350 Super Duty	Platinum; 2 Piece Driveshaft	J	2	5-178X*	5-1350-1X* 5-1350X**	15-178X
	F-350 Super Duty	XL; 2 Piece Driveshaft	J	2	5-178X*	5-1350-1X* 5-1350X**	15-178X
	F-350 Super Duty	XLT; 2 Piece Driveshaft	J	2	5-160X*	5-1410-1X* 5-1410X**	15-160X
	F-350 Super Duty	Exc. Cab & Chassis; 2 Piece Driveshaft	J	5,6	5-160X*	5-1410-1X* 5-1410X**	15-160X
	F-350 Super Duty	Cab & Chassis; 2 Piece Driveshaft	J	5,6,7	5-188X*	SPL55-1X* SPL55X**	15-188X
	F-350 Super Duty	Exc. XLT; Exc. Cab & Chassis; 2 Piece Driveshaft	J	7	5-160X*	5-1410-1X* 5-1410X**	15-160X
	F-350 Super Duty	XLT; Exc. Cab & Chassis; 2 Piece Driveshaft	J	7	5-160X*	5-1410-1X* 5-1410X**	15-160X
	F-350 Super Duty	Lariat; 1 Piece Driveshaft	0	1		SPL55-3X** SPL55-4X*	
	F-350 Super Duty	Platinum; 1 Piece Driveshaft	0	1		SPL55-3X** SPL55-4X*	
	F-350 Super Duty	XL; 1 Piece Driveshaft	0	1		SPL55-3X** SPL55-4X*	
	F-350 Super Duty	XLT; 1 Piece Driveshaft	0	1		SPL55-3X** SPL55-4X*	
	F-350 Super Duty	Lariat; 1 Piece Driveshaft	0	2	5-160X*	5-1410-1X* 5-1410X**	15-160X
	F-350 Super Duty	Platinum; 1 Piece Driveshaft	0	2	5-160X*	5-1410-1X* 5-1410X**	15-160X
	F-350 Super Duty	XL; 1 Piece Driveshaft	0	2	5-160X*	5-1410-1X* 5-1410X**	15-160X
	F-350 Super Duty	XLT; 1 Piece Driveshaft	0	2	5-160X*	5-1410-1X* 5-1410X**	15-160X
	F-350 Super Duty	Lariat; Crew Cab; 1 Piece Driveshaft	0	5,6	5-178X*	5-1350-1X* 5-1350X**	15-178X
	F-350 Super Duty	Lariat; Extended Cab; 1 Piece Driveshaft	0	5,6	5-178X*	5-1350-1X* 5-1350X**	15-178X
	F-350 Super Duty	Platinum; Crew Cab; 1 Piece Driveshaft; Dual Rear Wheels	0	5,6	5-178X*	5-1350-1X* 5-1350X**	15-178X
	F-350 Super Duty	Lariat; Crew Cab; 1 Piece Driveshaft	0	7	5-160X*	5-1410-1X* 5-1410X**	15-160X
F-350 Super Duty	Lariat; Extended Cab; 1 Piece Driveshaft	0	7	5-160X*	5-1410-1X* 5-1410X**	15-160X	
F-350 Super Duty	Platinum; Crew Cab; 1 Piece Driveshaft; Dual Rear Wheels	0	7	5-160X*	5-1410-1X* 5-1410X**	15-160X	
1999-2004	F-450 Super Duty	1 Piece Driveshaft	I	1		SPL55-3X** SPL55-4X*	
	F-450 Super Duty	1 Piece Driveshaft	I	2,3,4	5-178X*	5-1350-1X* 5-1350X**	15-178X
	F-450 Super Duty	2 Piece Driveshaft	J	1		SPL55-3X** SPL55-4X*	
	F-450 Super Duty	2 Piece Driveshaft	J	2,3,4	5-178X*	5-1350-1X* 5-1350X**	15-178X
1999-2017	F-450 Super Duty	1 Piece Driveshaft	I	5,6	5-188X*	SPL55-1X* SPL55X**	15-188X
	F-450 Super Duty	2 Piece Driveshaft	J	5,6,7	5-188X*	SPL55-1X* SPL55X**	15-188X
2000-2004	F-450 Super Duty	3 Piece Driveshaft	JB	1		SPL55-3X** SPL55-4X*	
	F-450 Super Duty	3 Piece Driveshaft	JB	2,3,4	5-178X*	5-1350-1X* 5-1350X**	15-178X
2000-2017	F-450 Super Duty	3 Piece Driveshaft	JB	5,6,7,8	5-188X*	SPL55-1X* SPL55X**	15-188X
2005-2008	F-450 Super Duty	1 Piece Driveshaft	I	2	5-178X*	5-1350-1X* 5-1350X**	15-178X

\* GREASEABLE \*\* NON-GREASEABLE





Ford (Cont'd)

Year	Model	Description	Fig.	Location	Spicer Part #	SPL Part #	SVL Part #
2005-2008	F-450 Super Duty	2 Piece Driveshaft	J	2	5-178X*	5-1350-1X* 5-1350X**	15-178X
	F-450 Super Duty	3 Piece Driveshaft	JB	2	5-178X*	5-1350-1X* 5-1350X**	15-178X
2005-2017	F-450 Super Duty	1 Piece Driveshaft	I	1		SPL70-4X	
	F-450 Super Duty	2 Piece Driveshaft	J	1		SPL70-4X	
	F-450 Super Duty	3 Piece Driveshaft	JB	1		SPL70-4X	
2010	F-450 Super Duty	V10 6.8L; 1 Piece Driveshaft	I	2	5-160X*	5-1410-1X* 5-1410X**	15-160X
	F-450 Super Duty	V8 6.4L; 1 Piece Driveshaft	I	2	5-160X*	5-1410-1X* 5-1410X**	15-160X
	F-450 Super Duty	V10 6.8L; 2 Piece Driveshaft	J	2	5-160X*	5-1410-1X* 5-1410X**	15-160X
	F-450 Super Duty	V8 6.4L; 2 Piece Driveshaft	J	2	5-160X*	5-1410-1X* 5-1410X**	15-160X
	F-450 Super Duty	V10 6.8L; 3 Piece Driveshaft	JB	2	5-160X*	5-1410-1X* 5-1410X**	15-160X
	F-450 Super Duty	V8 6.4L; 3 Piece Driveshaft	JB	2	5-160X*	5-1410-1X* 5-1410X**	15-160X
2011-2017	F-450 Super Duty	1 Piece Driveshaft	I	2	5-160X*	5-1410-1X* 5-1410X**	15-160X
	F-450 Super Duty	2 Piece Driveshaft	J	2	5-160X*	5-1410-1X* 5-1410X**	15-160X
	F-450 Super Duty	3 Piece Driveshaft	JB	2	5-160X*	5-1410-1X* 5-1410X**	15-160X
1999-2004	F-550 Super Duty	1 Piece Driveshaft	I	1		SPL55-3X** SPL55-4X*	
	F-550 Super Duty	2 Piece Driveshaft	J	1		SPL55-3X** SPL55-4X*	
1999-2017	F-550 Super Duty	1 Piece Driveshaft	I	5,6	5-188X*	SPL55-1X* SPL55X**	15-188X
	F-550 Super Duty	2 Piece Driveshaft	J	5,6,7	5-188X*	SPL55-1X* SPL55X**	15-188X
2000	F-550 Super Duty	V10 6.8L; 1 Piece Driveshaft	I	1		SPL55-3X** SPL55-4X*	
	F-550 Super Duty	V8 7.3L; 1 Piece Driveshaft	I	1		SPL55-3X** SPL55-4X*	
	F-550 Super Duty	V10 6.8L; 3 Piece Driveshaft	JB	1		SPL55-3X** SPL55-4X*	
	F-550 Super Duty	V8 7.3L; 3 Piece Driveshaft	JB	1		SPL55-3X** SPL55-4X*	
	F-550 Super Duty	3 Piece Driveshaft	JB	5,8	5-188X*	SPL55-1X* SPL55X**	15-188X
	F-550 Super Duty	V10 6.8L; 3 Piece Driveshaft	JB	6,7	5-188X*	SPL55-1X* SPL55X**	15-188X

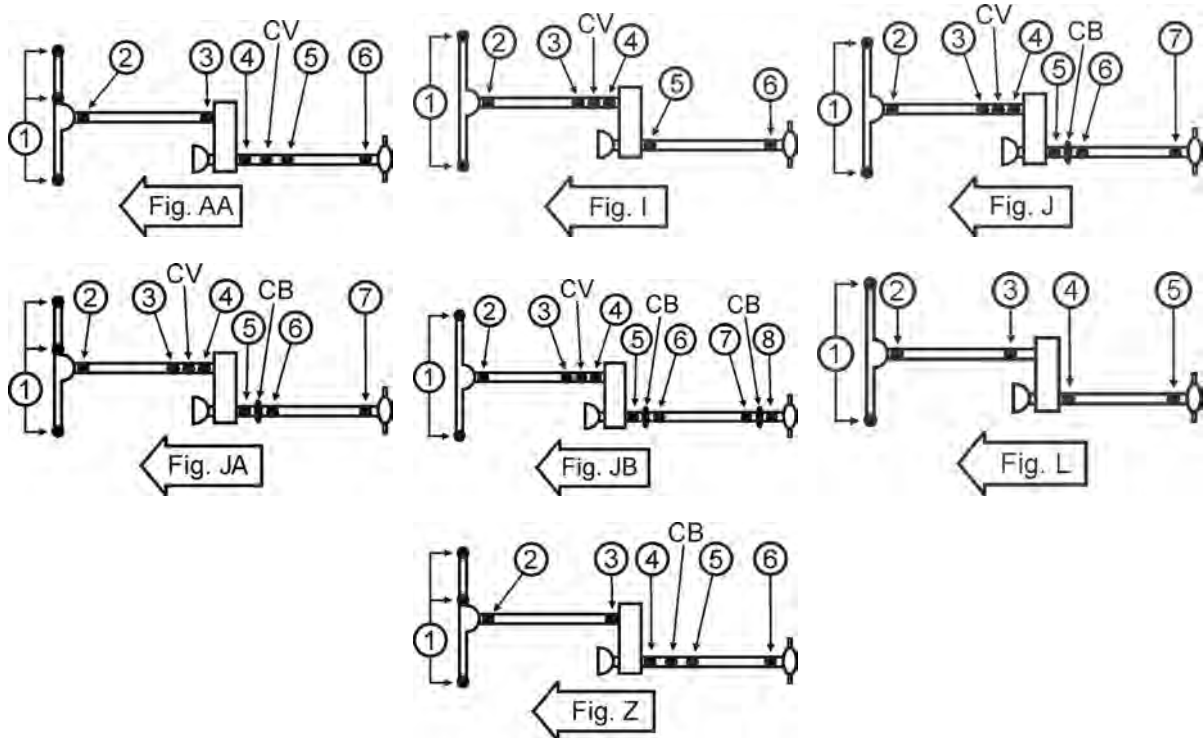
\* GREASEABLE \*\* NON-GREASEABLE

4  
W  
D

**Ford (Cont'd)**

Year	Model	Description	Fig.	Location	Spicer Part #	SPL Part #	SVL Part #
2000	F-550 Super Duty	V8 7.3L; 3 Piece Driveshaft	JB	6,7	5-188X*	SPL55-1X* SPL55X**	15-188X
2000-2002	F-550 Super Duty	V10 6.8L; 1 Piece Driveshaft	I	3,4	5-178X*	5-1350-1X* 5-1350X**	15-178X
	F-550 Super Duty	V8 7.3L; 1 Piece Driveshaft	I	3,4	5-178X*	5-1350-1X* 5-1350X**	15-178X
	F-550 Super Duty	V10 6.8L; 2 Piece Driveshaft	J	3,4	5-178X*	5-1350-1X* 5-1350X**	15-178X
	F-550 Super Duty	V8 7.3L; 2 Piece Driveshaft	J	3,4	5-178X*	5-1350-1X* 5-1350X**	15-178X
	F-550 Super Duty	V10 6.8L; 3 Piece Driveshaft	JB	3,4	5-178X*	5-1350-1X* 5-1350X**	15-178X
	F-550 Super Duty	V8 7.3L; 3 Piece Driveshaft	JB	3,4	5-178X*	5-1350-1X* 5-1350X**	15-178X
	F-550 Super Duty	3 Piece Driveshaft	JB	1		SPL55-3X** SPL55-4X*	
2001-2017	F-550 Super Duty	3 Piece Driveshaft	JB	5,6,7,8	5-188X*	SPL55-1X* SPL55X**	15-188X
2003-2004	F-550 Super Duty	1 Piece Driveshaft	I	2,3,4	5-178X*	5-1350-1X* 5-1350X**	15-178X
	F-550 Super Duty	2 Piece Driveshaft	J	2,3,4	5-178X*	5-1350-1X* 5-1350X**	15-178X
	F-550 Super Duty	3 Piece Driveshaft	JB	2,3,4	5-178X*	5-1350-1X* 5-1350X**	15-178X
2005-2007	F-550 Super Duty	1 Piece Driveshaft	I	2	5-178X*	5-1350-1X* 5-1350X**	15-178X
	F-550 Super Duty	2 Piece Driveshaft	J	2	5-178X*	5-1350-1X* 5-1350X**	15-178X
	F-550 Super Duty	3 Piece Driveshaft	JB	2	5-178X*	5-1350-1X* 5-1350X**	15-178X
2005-2017	F-550 Super Duty	1 Piece Driveshaft	I	1		SPL70-4X	
	F-550 Super Duty	2 Piece Driveshaft	J	1		SPL70-4X	
	F-550 Super Duty	3 Piece Driveshaft	JB	1		SPL70-4X	
2008-2017	F-550 Super Duty	1 Piece Driveshaft	I	2	5-160X*	5-1410-1X* 5-1410X**	15-160X
	F-550 Super Duty	2 Piece Driveshaft	J	2	5-160X*	5-1410-1X* 5-1410X**	15-160X
	F-550 Super Duty	3 Piece Driveshaft	JB	2	5-160X*	5-1410-1X* 5-1410X**	15-160X
1983-1984	Ranger		AA	2	5-153X*	5-1310-1X* 5-1310X**	15-153X
	Ranger	Auto Trans	AA	3	5-443X		
	Ranger	Standard Trans; 4 Speed	AA	3	5-443X		
	Ranger	Standard Trans; 5 Speed	AA	3	5-153X*	5-1310-1X* 5-1310X**	15-153X
1983-1985	Ranger		AA	4,5,6	5-443X		
	Ranger	108.0" WB; 72.0" Bed	AA	CV	211342X		
1983-1986	Ranger		AA	1	5-3215X		
1985-1986	Ranger		AA	2,3	5-153X*	5-1310-1X* 5-1310X**	15-153X
1986	Ranger	125.0" WB; 5 Speed	AA	4,5	5-213X*	5-1330-1X* 5-1330X**	15-213X
	Ranger	108.0" WB; 114.0" WB	AA	4,5,6	5-443X		
	Ranger	125.0" WB; 4 Speed	AA	4,5,6	5-443X		
	Ranger	125.0" WB; 5 Speed	AA	6	5-1204X*	5-7438X	15-1204X
1987	Ranger	Custom; S; XLT; 2 Piece Driveshaft	Z	2,3	5-153X*	5-1310-1X* 5-1310X**	15-153X
	Ranger	STX; 2 Piece Driveshaft	Z	2,3	5-443X		
1987-1988	Ranger	108.0" WB; 2 Piece Driveshaft	AA	4,5,6	5-443X		
1987-1989	Ranger	2 Piece Driveshaft	Z	1	5-3215X		
	Ranger	114.0" WB; 125.0" WB; 2 Piece Driveshaft	Z	4,6	5-443X		
	Ranger	125.0" WB; 2 Piece Driveshaft	Z	5	5-443X		
1988-1989	Ranger	2 Piece Driveshaft; w/ 2.750" O.D. Yoke	Z	2,3	5-443X		

\* GREASEABLE \*\* NON-GREASEABLE



Ford (Cont'd)

Year	Model	Description	Fig.	Location	Spicer Part #	SPL Part #	SVL Part #
1988-1989	Ranger	2 Piece Driveshaft; w/ 3.500" O.D. Yoke	Z	2,3	5-153X*	5-1310-1X* 5-1310X**	15-153X
1989-1997	Ranger	108.0" WB; 2 Piece Driveshaft	AA	4,5,6	5-153X*	5-1310-1X* 5-1310X**	15-153X
1990-1992	Ranger	2 Piece Driveshaft; w/ Dana Model 28 Axle	JA	1	5-3215X		
	Ranger	2 Piece Driveshaft; w/ Dana Model 35 Axle	JA	1	5-3226X	5-760X**	
	Ranger	2 Piece Driveshaft	JA	2,3,4	5-153X*	5-1310-1X* 5-1310X**	15-153X
1990-1994	Ranger	114.0" WB; 2 Piece Driveshaft	JA	5,7	5-153X*	5-1310-1X* 5-1310X**	15-153X
1990-1997	Ranger	125.0" WB; Extended Cab; 2 Piece Driveshaft	JA	5,6,7	5-153X*	5-1310-1X* 5-1310X**	15-153X
1993-1997	Ranger	2 Piece Driveshaft; w/o Double Cardan CV Joint	AA	1	5-3226X	5-760X**	
	Ranger	2 Piece Driveshaft; w/o Double Cardan CV Joint	AA	2	5-153X*	5-1310-1X* 5-1310X**	15-153X
	Ranger	2 Piece Driveshaft	AA	3	5-153X*	5-1310-1X* 5-1310X**	15-153X
	Ranger	2 Piece Driveshaft; w/ Double Cardan CV Joint	JA	1	5-3226X	5-760X**	
	Ranger	2 Piece Driveshaft; w/ Double Cardan CV Joint	JA	2	5-153X*	5-1310-1X* 5-1310X**	15-153X
	Ranger	2 Piece Driveshaft	JA	3,4	5-153X*	5-1310-1X* 5-1310X**	15-153X
1995-1997	Ranger	114.0" WB; 2 Piece Driveshaft	JA	5,7	5-213X*	5-1330-1X* 5-1330X**	15-213X
1996-1997	Ranger	4 Speed; 125.0" WB	JA	CB	211590-1X		
1998-2011	Ranger		L	2	5-153X*	5-1310-1X* 5-1310X**	15-153X
	Ranger		L	4,5	5-213X*	5-1330-1X* 5-1330X**	15-213X

\* GREASEABLE \*\* NON-GREASEABLE

4  
W  
D

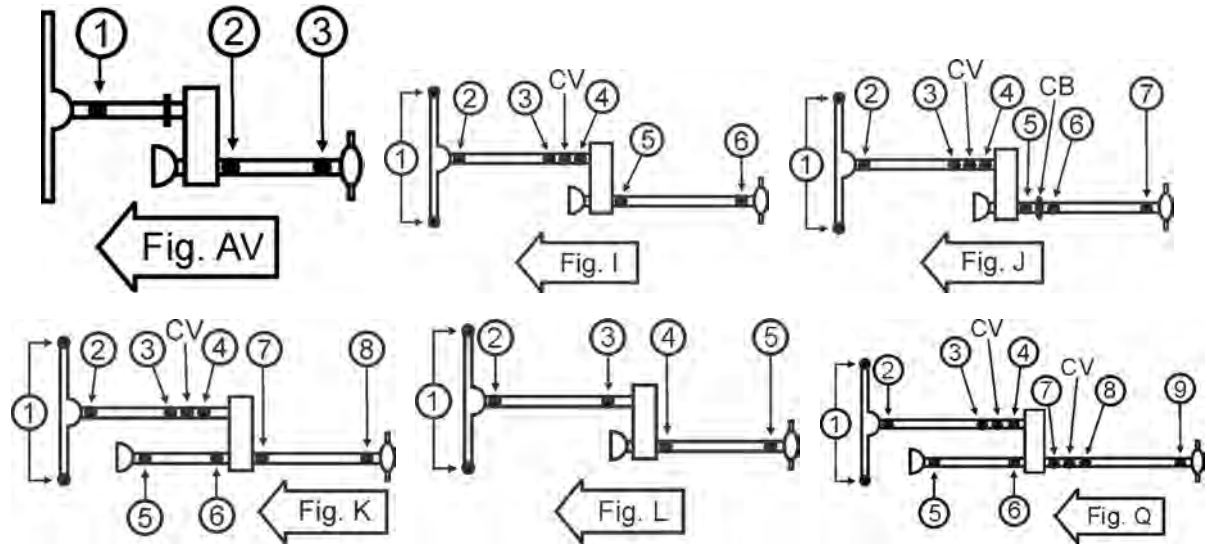
**Geo**

Year	Model	Description	Fig.	Location	Spicer Part #	SPL Part #	SVL Part #
1989-1997	Tracker		L	2,3,4,5	5-1503X		

**GMC**

Year	Model	Description	Fig.	Location	Spicer Part #	SPL Part #	SVL Part #
2005-2009	C4500 Topkick	1 Piece Driveshaft	K	1		SPL70-4X	
	C4500 Topkick	1 Piece Driveshaft	K	2	5-160X*	5-1410-1X* 5-1410X**	15-160X
	C4500 Topkick	1 Piece Driveshaft	K	3,4	5-178X*	5-1350-1X* 5-1350X**	15-178X
	C4500 Topkick	1 Piece Driveshaft	K	5,6,7,8	5-188X*	SPL55-1X* SPL55X**	15-188X
	C4500 Topkick	2 Piece Driveshaft	Q	1		SPL70-4X	
	C4500 Topkick	2 Piece Driveshaft	Q	2	5-160X*	5-1410-1X* 5-1410X**	15-160X
	C4500 Topkick	2 Piece Driveshaft	Q	3,4	5-178X*	5-1350-1X* 5-1350X**	15-178X
	C4500 Topkick	2 Piece Driveshaft	Q	5,6,7,8,9	5-188X*	SPL55-1X* SPL55X**	15-188X
2005-2009	C5500 Topkick	1 Piece Driveshaft	K	1		SPL70-4X	
	C5500 Topkick	1 Piece Driveshaft	K	2	5-160X*	5-1410-1X* 5-1410X**	15-160X
	C5500 Topkick	1 Piece Driveshaft	K	3,4	5-178X*	5-1350-1X* 5-1350X**	15-178X
	C5500 Topkick	1 Piece Driveshaft	K	5,6,7,8	5-188X*	SPL55-1X* SPL55X**	15-188X
	C5500 Topkick	2 Piece Driveshaft	Q	1		SPL70-4X	
	C5500 Topkick	2 Piece Driveshaft	Q	2	5-160X*	5-1410-1X* 5-1410X**	15-160X
	C5500 Topkick	2 Piece Driveshaft	Q	3,4	5-178X*	5-1350-1X* 5-1350X**	15-178X
	C5500 Topkick	2 Piece Driveshaft	Q	5,6,7,8,9	5-188X*	SPL55-1X* SPL55X**	15-188X
2004-2012	Canyon	1 Piece Driveshaft	AV	1	5-153X*	5-1310-1X* 5-1310X**	15-153X
	Canyon	1 Piece Driveshaft	AV	2	5-213X*	5-1330-1X* 5-1330X**	15-213X
	Canyon	1 Piece Driveshaft	AV	3	5-212X*	5-793X**	
2015-2016	Canyon	1 Piece Driveshaft	AV	1,2,3	5-178X*	5-1350-1X* 5-1350X**	15-178X
2002-2009	Envoy	1 Piece Driveshaft	AV	1	5-3213X		
	Envoy	1 Piece Driveshaft	AV	2,3	5-3147X*	5-795X**	15-3147X
2002-2006	Envoy XL	1 Piece Driveshaft	AV	1	5-3213X		
	Envoy XL	1 Piece Driveshaft	AV	2,3	5-3147X*	5-795X**	15-3147X
2004-2005	Envoy XUV	1 Piece Driveshaft	AV	1	5-3213X		
	Envoy XUV	1 Piece Driveshaft	AV	2,3	5-3147X*	5-795X**	15-3147X
1970-1972	Jimmy	1.062" Cup Dia.	I	1	5-260X**		15-260X
	Jimmy	1.188" Cup Dia.	I	1	5-3226X	5-760X**	
	Jimmy		I	2,3,4,5,6	5-153X*	5-1310-1X* 5-1310X**	15-153X
1973-1977	Jimmy		I	1,2,3,4,5,6	5-153X*	5-1310-1X* 5-1310X**	15-153X
1978	Jimmy	w/ Inside Snap Rings	I	2,3,4	5-3147X*	5-795X**	15-3147X
	Jimmy	w/ Outside Snap Rings	I	2,3,4	5-153X*	5-1310-1X* 5-1310X**	15-153X
	Jimmy	w/ Inside Snap Rings	I	CV	211009X		
1978-1981	Jimmy		I	5,6	5-153X*	5-1310-1X* 5-1310X**	15-153X
1978-1991	Jimmy		I	1	5-3226X	5-760X**	
1979-1986	Jimmy		I	CV	211009X		
1979-1991	Jimmy		I	2	5-153X*	5-1310-1X* 5-1310X**	15-153X
	Jimmy		I	3,4	5-3147X*	5-795X**	15-3147X

\* GREASEABLE \*\* NON-GREASEABLE



GMC (Cont'd)

Year	Model	Description	Fig.	Location	Spicer Part #	SPL Part #	SVL Part #
1982	Jimmy	3 Speed	I	5,6	5-3147X*	5-795X**	15-3147X
	Jimmy	Auto Trans; 4 Speed	I	5,6	5-3147X*	5-795X**	15-3147X
	Jimmy	Standard Trans; 4 Speed	I	5,6	5-178X*	5-1350-1X* 5-1350X**	15-178X
1983-1991	Jimmy	w/ Inside Snap Rings	I	5,6	5-3147X*	5-795X**	15-3147X
	Jimmy	w/ Outside Snap Rings	I	5,6	5-178X*	5-1350-1X* 5-1350X**	15-178X
1992-1994	Jimmy	w/ Press-on Slip Yoke Seal	L	2,3	5-153X*	5-1310-1X* 5-1310X**	15-153X
	Jimmy	w/ Screw-on Slip Yoke Seal	L	2,3	5-3213X		
1995-1999	Jimmy	2 Door; w/ ZR2 High Wider Sport Package	L	4,5	5-178X*	5-1350-1X* 5-1350X**	15-178X
	Jimmy	2 Door; w/o ZR2 High Wider Sport Package	L	4,5	5-3147X*	5-795X**	15-3147X
	Jimmy	4 Door	L	4,5	5-3147X*	5-795X**	15-3147X
2000-2001	Jimmy	1 Piece Driveshaft	AV	1	5-3213X		
	Jimmy	1 Piece Driveshaft	AV	2,3	5-3147X*	5-795X**	15-3147X
2002-2005	Jimmy		L	2	5-3213X		
	Jimmy		L	4,5	5-3147X*	5-795X**	15-3147X
1975-1976	K15	w/ Inside Snap Rings	K	1	5-260X**		15-260X
	K15	w/ Outside Snap Rings	K	1	5-178X*	5-1350-1X* 5-1350X**	15-178X
	K15		K	2,3,4,5,6,7,8	5-153X*	5-1310-1X* 5-1310X**	15-153X
1977-1978	K15	1 Piece Driveshaft	I	1	5-3226X	5-760X**	
	K15	1 Piece Driveshaft	I	2,3,4,5,6	5-153X*	5-1310-1X* 5-1310X**	15-153X
	K15	2 Piece Driveshaft	J	1	5-3226X	5-760X**	
	K15	2 Piece Driveshaft	J	2,3,4,5	5-3147X*	5-795X**	15-3147X
	K15	2 Piece Driveshaft	J	6,7	5-178X*	5-1350-1X* 5-1350X**	15-178X
	K15	2 Piece Driveshaft	J	CV	211009X		
1975-1976	K15 Suburban		K	1	5-3226X	5-760X**	
	K15 Suburban		K	2,3,4,5,6,7,8	5-153X*	5-1310-1X* 5-1310X**	15-153X
1977-1978	K15 Suburban	1 Piece Driveshaft	I	1	5-3226X	5-760X**	
	K15 Suburban	1 Piece Driveshaft; w/ Inside Snap Rings	I	2,3,4	5-3147X*	5-795X**	15-3147X
	K15 Suburban	1 Piece Driveshaft; w/ Outside Snap Rings	I	2,3,4	5-153X*	5-1310-1X* 5-1310X**	15-153X

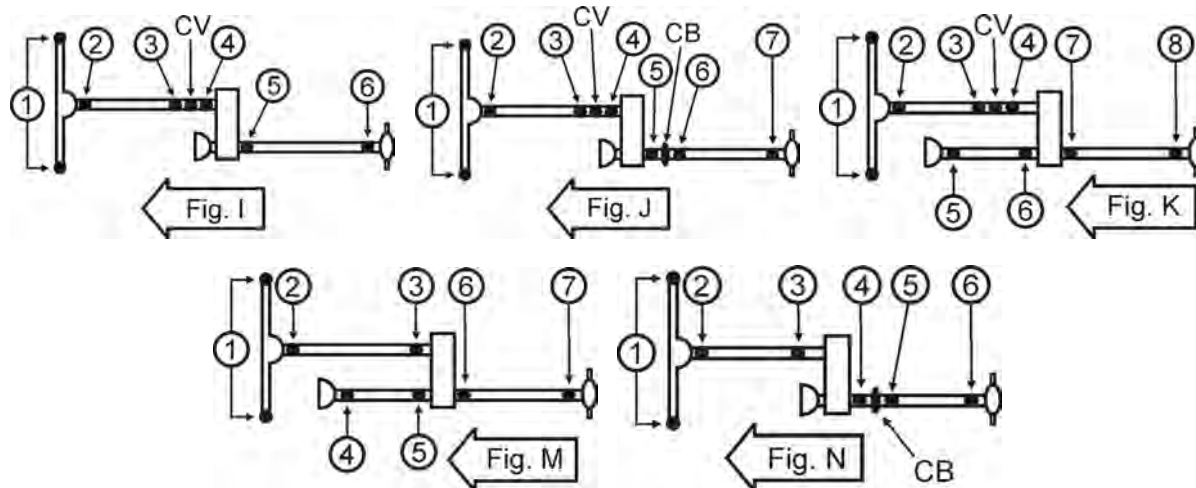
\* GREASEABLE \*\* NON-GREASEABLE

4  
W  
D

**GMC (Cont'd)**

Year	Model	Description	Fig.	Location	Spicer Part #	SPL Part #	SVL Part #	
1977-1978	K15 Suburban	1 Piece Driveshaft	I	5,6	5-153X*	5-1310-1X* 5-1310X**	15-153X	
	K15 Suburban	2 Piece Driveshaft	J	1	5-3226X	5-760X**		
	K15 Suburban	2 Piece Driveshaft	J	2,3,4,5	5-3147X*	5-795X**	15-3147X	
	K15 Suburban	2 Piece Driveshaft	J	6,7	5-178X*	5-1350-1X* 5-1350X**	15-178X	
	K15 Suburban	2 Piece Driveshaft	J	CV	211009X			
1966	K15/K1500 Pickup	w/ Inside Snap Rings	M	1	5-260X**		15-260X	
	K15/K1500 Pickup	w/ Outside Snap Rings	M	1	5-178X*	5-1350-1X* 5-1350X**	15-178X	
	K15/K1500 Pickup	Standard Trans; 3 Speed; 4 Speed	M	2,3,5	5-153X*	5-1310-1X* 5-1310X**	15-153X	
	K15/K1500 Pickup	Standard Trans; 3 Speed	M	4	5-153X*	5-1310-1X* 5-1310X**	15-153X	
	K15/K1500 Pickup	Standard Trans; 4 Speed	M	4	5-178X*	5-1350-1X* 5-1350X**	15-178X	
	K15/K1500 Pickup	Standard Trans; 3 Speed; 4 Speed	M	6,7	5-178X*	5-1350-1X* 5-1350X**	15-178X	
	K15/K1500 Pickup	Standard Trans; 3 Speed; 4 Speed	M	6,7	5-178X*	5-1350-1X* 5-1350X**	15-178X	
1967-1974	K15/K1500 Pickup	w/ Inside Snap Rings	K	1	5-260X**		15-260X	
	K15/K1500 Pickup	w/ Outside Snap Rings	K	1	5-178X*	5-1350-1X* 5-1350X**	15-178X	
	K15/K1500 Pickup		K	2,3,4,5,6,7, 8	5-153X*	5-1310-1X* 5-1310X**	15-153X	
1967-1969	K15/K1500 Suburban	w/ Inside Snap Rings	K	1	5-260X**		15-260X	
	K15/K1500 Suburban	w/ Outside Snap Rings	K	1	5-178X*	5-1350-1X* 5-1350X**	15-178X	
1967-1974	K15/K1500 Suburban		K	2,3,4,5,6,7, 8	5-153X*	5-1310-1X* 5-1310X**	15-153X	
1970-1971 1972	K15/K1500 Suburban		K	1	5-260X**		15-260X	
	K15/K1500 Suburban	1.062" Cup Dia.	K	1	5-260X**		15-260X	
	K15/K1500 Suburban	1.188" Cup Dia.	K	1	5-3226X	5-760X**		
1973-1974	K15/K1500 Suburban		K	1	5-3226X	5-760X**		
1979-1981	K1500	1 Piece Driveshaft	I	1	5-3226X	5-760X**		
	K1500	1 Piece Driveshaft	I	2	5-153X*	5-1310-1X* 5-1310X**	15-153X	
	K1500	1 Piece Driveshaft	I	3,4	5-3147X*	5-795X**	15-3147X	
	K1500	1 Piece Driveshaft	I	5,6	5-153X*	5-1310-1X* 5-1310X**	15-153X	
	K1500	1 Piece Driveshaft; w/ Inside Snap Rings	I	CV	211009X			
	K1500	2 Piece Driveshaft	J	1	5-3226X	5-760X**		
	K1500	2 Piece Driveshaft	J	2	5-153X*	5-1310-1X* 5-1310X**	15-153X	
	K1500	2 Piece Driveshaft	J	3,4	5-3147X*	5-795X**	15-3147X	
	K1500	2 Piece Driveshaft	J	5,6,7	5-178X*	5-1350-1X* 5-1350X**	15-178X	
	K1500	2 Piece Driveshaft; w/ Inside Snap Rings	J	CV	211009X			
	1982-1986	K1500		I	1	5-3226X	5-760X**	
		K1500		I	2	5-153X*	5-1310-1X* 5-1310X**	15-153X
		K1500		I	3,4	5-3147X*	5-795X**	15-3147X
K1500		w/ Inside Snap Rings	I	5,6	5-3147X*	5-795X**	15-3147X	
K1500		w/ Outside Snap Rings	I	5,6	5-178X*	5-1350-1X* 5-1350X**	15-178X	
K1500			I	CV	211009X			
K1500		Extended Cab; Standard Cab; Standard Trans	N	2	5-212X*	5-793X**		
1988-1991	K1500	Extended Cab; Standard Cab; Auto Trans	N	2,3	5-3147X*	5-795X**	15-3147X	
	K1500	Extended Cab; Standard Cab; Standard Trans; w/ Aluminum Yoke	N	3		5-3614X		
	K1500	Extended Cab; Standard Cab; Standard Trans; w/ Steel Yoke	N	3	5-213X*	5-1330-1X* 5-1330X**	15-213X	
	K1500	Extended Cab; Standard Cab; Standard Trans; w/ Steel Yoke	N	3	5-213X*	5-1330-1X* 5-1330X**	15-213X	

\* GREASEABLE \*\* NON-GREASEABLE



GMC (Cont'd)

Year	Model	Description	Fig.	Location	Spicer Part #	SPL Part #	SVL Part #
1988-1991	K1500	Extended Cab; Auto Trans; w/ Aluminum Yoke	N	4,5		5-3614X	
	K1500	Extended Cab; Auto Trans; w/ Steel Yoke	N	4,5	5-213X*	5-1330-1X* 5-1330X**	15-213X
	K1500	Extended Cab; Standard Trans; w/ Aluminum Shaft	N	4,5,6		5-3615X	
	K1500	Extended Cab; Standard Trans; w/ Steel Shaft	N	4,5,6	5-178X*	5-1350-1X* 5-1350X**	15-178X
	K1500	Standard Cab; Standard Trans; w/ Aluminum Shaft	N	4,6		5-3615X	
	K1500	Standard Cab; Standard Trans; w/ Steel Shaft	N	4,6	5-178X*	5-1350-1X* 5-1350X**	15-178X
	K1500	Extended Cab; Auto Trans	N	6	5-212X*	5-793X**	
1988-1993	K1500	Standard Cab; Auto Trans	N	4,6	5-3147X*	5-795X**	15-3147X
1992-1993	K1500	Extended Cab; Auto Trans; Exc. F44 HD Chassis; w/ Aluminum Yoke	N	4		5-3614X	
	K1500	Extended Cab; Auto Trans; Exc. F44 HD Chassis; w/ Steel Yoke	N	4	5-213X*	5-1330-1X* 5-1330X**	15-213X
	K1500	Extended Cab; Exc. F44 HD Chassis; w/ Aluminum Yoke	N	5		5-3614X	
	K1500	Extended Cab; Exc. F44 HD Chassis; w/ Steel Yoke	N	5	5-213X*	5-1330-1X* 5-1330X**	15-213X
	K1500	Extended Cab; w/ F44 HD Chassis; w/ Aluminum Shaft	N	5		5-3615X	
	K1500	Extended Cab; w/ F44 HD Chassis; w/ Steel Shaft	N	5	5-178X*	5-1350-1X* 5-1350X**	15-178X
1992-1995	K1500	Extended Cab; Auto Trans; Exc. F44 HD Chassis	N	6	5-212X*	5-793X**	
1993	K1500	Extended Cab; Standard Cab	N	2,3	5-3147X*	5-795X**	15-3147X
	K1500	Extended Cab; Standard Trans; MT8; w/ F44 HD Chassis; w/ Aluminum Shaft	N	4,6		5-3615X	
	K1500	Extended Cab; Standard Trans; MT8; w/ F44 HD Chassis; w/ Steel Shaft	N	4,6	5-178X*	5-1350-1X* 5-1350X**	15-178X
	K1500	Standard Cab; Standard Trans; MT8; w/ Aluminum Shaft	N	4,6		5-3615X	
	K1500	Standard Cab; Standard Trans; MT8; w/ Steel Shaft	N	4,6	5-178X*	5-1350-1X* 5-1350X**	15-178X
1994-1995	K1500	Extended Cab; w/ F44 HD Chassis; 1.188" Cup Dia.; w/ Aluminum Shaft	N	4		5-3615X	
	K1500	Extended Cab; w/ F44 HD Chassis; 1.188" Cup Dia.; w/ Steel Shaft	N	4	5-178X*	5-1350-1X* 5-1350X**	15-178X
	K1500	w/ Aluminum Shaft	N	5		5-3615X	
	K1500	w/ Aluminum Yoke	N	5		5-3614X	

\* GREASEABLE \*\* NON-GREASEABLE

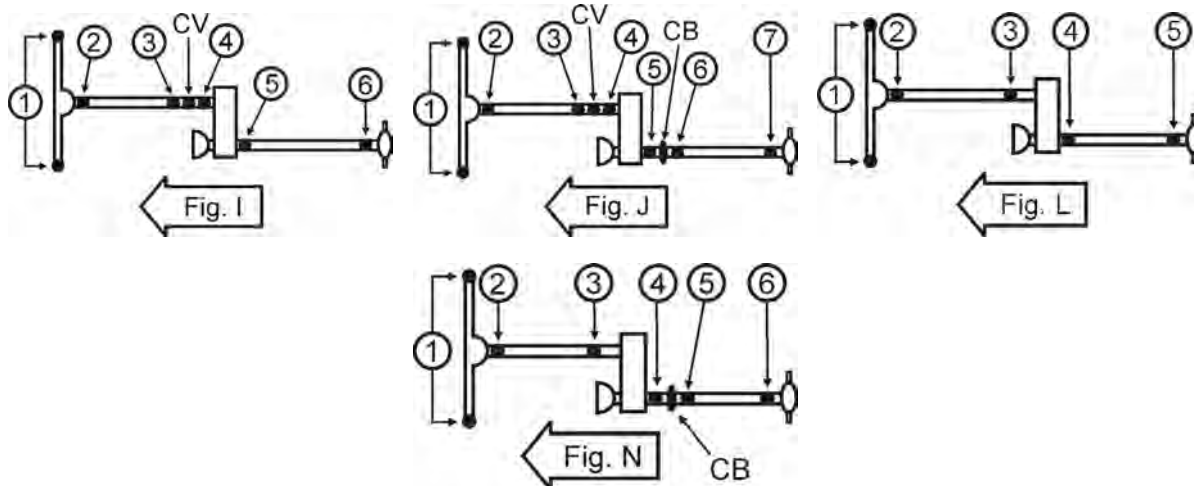
4  
W  
D

**GMC (Cont'd)**

Year	Model	Description	Fig.	Location	Spicer Part #	SPL Part #	SVL Part #	
1994-1995	K1500	w/ Steel Shaft	N	5	5-178X*	5-1350-1X* 5-1350X**	15-178X	
	K1500	w/ Steel Yoke	N	5	5-213X*	5-1330-1X* 5-1330X**	15-213X	
	K1500	Extended Cab; Standard Trans; w/ F44 HD Chassis; w/ Aluminum Shaft	N	6		5-3615X		
	K1500	Extended Cab; Standard Trans; w/ F44 HD Chassis; w/ Steel Shaft	N	6	5-178X*	5-1350-1X* 5-1350X**	15-178X	
	K1500	Standard Cab; 1.188" Cup Dia.; w/ Aluminum Shaft	N	6		5-3615X		
	K1500	Standard Cab; 1.188" Cup Dia.; w/ Steel Shaft	N	6	5-178X*	5-1350-1X* 5-1350X**	15-178X	
1994-1996	K1500	Extended Cab; Exc. F44 HD Chassis; 1.062" Cup Dia.; w/ Aluminum Shaft	N	4		5-3614X		
	K1500	Extended Cab; Exc. F44 HD Chassis; 1.062" Cup Dia.; w/ Steel Shaft	N	4	5-213X*	5-1330-1X* 5-1330X**	15-213X	
	K1500	Standard Cab; 1.125" Cup Dia.	N	4,6	5-3147X*	5-795X**	15-3147X	
1995	K1500	Gas; Standard Cab	N	2,3	5-3147X*	5-795X**	15-3147X	
	K1500	Diesel; Standard Cab	N	3	5-213X*	5-1330-1X* 5-1330X**	15-213X	
1996	K1500	Diesel; Extended Cab; Standard Cab	N	2	5-212X*	5-793X**		
	K1500	Gas; Extended Cab; Standard Cab	N	2,3	5-3147X*	5-795X**	15-3147X	
	K1500	Diesel; Extended Cab; Standard Cab	N	3	5-213X*	5-1330-1X* 5-1330X**	15-213X	
	K1500	Extended Cab; w/ F44 HD Chassis; 1.188" Cup Dia.; w/ Aluminum Shaft	N	4,6		5-3615X		
	K1500	Extended Cab; w/ F44 HD Chassis; 1.188" Cup Dia.; w/ Steel Shaft	N	4,6	5-178X*	5-1350-1X* 5-1350X**	15-178X	
	K1500	1.188" Cup Dia.; w/ Aluminum Shaft	N	5		5-3615X		
	K1500	1.188" Cup Dia.; w/ Steel Shaft	N	5	5-178X*	5-1350-1X* 5-1350X**	15-178X	
	K1500	Extended Cab; Exc. F44 HD Chassis; 1.062" Cup Dia.	N	6	5-212X*	5-793X**		
1997	K1500	Standard Cab; 1.125" Cup Dia.	N	4	5-3147X*	5-795X**	15-3147X	
1997-1998	K1500		N	2,3	5-3147X*	5-795X**	15-3147X	
	K1500	Gas; Extended Cab; Exc. F44 HD Chassis; 1.062" Cup Dia.; w/ Aluminum Shaft	N	4		5-3614X		
	K1500	Gas; Extended Cab; Exc. F44 HD Chassis; 1.062" Cup Dia.; w/ Steel Shaft	N	4	5-213X*	5-1330-1X* 5-1330X**	15-213X	
	K1500	Diesel; Extended Cab; w/ F44 HD Chassis; 1.188" Cup Dia.; w/ Aluminum Shaft	N	4,6		5-3615X		
	K1500	Diesel; Extended Cab; w/ F44 HD Chassis; 1.188" Cup Dia.; w/ Steel Shaft	N	4,6	5-178X*	5-1350-1X* 5-1350X**	15-178X	
	K1500	Extended Cab; Exc. F44 HD Chassis; 1.062" Cup Dia.; w/ Aluminum Shaft	N	5		5-3614X		
	K1500	Extended Cab; Exc. F44 HD Chassis; 1.062" Cup Dia.; w/ Steel Shaft	N	5	5-213X*	5-1330-1X* 5-1330X**	15-213X	
	K1500	Extended Cab; w/ F44 HD Chassis; 1.188" Cup Dia.; w/ Aluminum Shaft	N	5		5-3615X		
	K1500	Extended Cab; w/ F44 HD Chassis; 1.188" Cup Dia.; w/ Steel Shaft	N	5	5-178X*	5-1350-1X* 5-1350X**	15-178X	
	K1500	Gas; Extended Cab; Exc. F44 HD Chassis; 1.062" Cup Dia.	N	6	5-212X*	5-793X**		
	1998	K1500	1.125" Cup Dia.	N	4	5-3147X*	5-795X**	15-3147X
	1999	K1500	Extended Cab; Short Bed	L	2,3	5-3147X*	5-795X**	15-3147X
K1500		Extended Cab; Short Bed; w/ Aluminum Yoke	L	4		5-3614X		
K1500		Extended Cab; Short Bed; w/ Steel Yoke	L	4	5-213X*	5-1330-1X* 5-1330X**	15-213X	
K1500		Extended Cab; Short Bed	L	5	5-212X*	5-793X**		
1979-1981	K1500 Suburban	1 Piece Driveshaft	I	1	5-3226X	5-760X**		
	K1500 Suburban	1 Piece Driveshaft	I	2	5-153X*	5-1310-1X* 5-1310X**	15-153X	

\* GREASEABLE \*\* NON-GREASEABLE





GMC (Cont'd)

Year	Model	Description	Fig.	Location	Spicer Part #	SPL Part #	SVL Part #
1979-1981	K1500 Suburban	1 Piece Driveshaft	I	3,4	5-3147X*	5-795X**	15-3147X
	K1500 Suburban	1 Piece Driveshaft	I	5,6	5-153X*	5-1310-1X* 5-1310X**	15-153X
	K1500 Suburban	w/ Inside Snap Rings	I	CV	211009X		
	K1500 Suburban	2 Piece Driveshaft	J	1	5-3226X	5-760X**	
	K1500 Suburban	2 Piece Driveshaft	J	2	5-153X*	5-1310-1X* 5-1310X**	15-153X
	K1500 Suburban	2 Piece Driveshaft	J	3,4	5-3147X*	5-795X**	15-3147X
	K1500 Suburban	2 Piece Driveshaft	J	5,6,7	5-178X*	5-1350-1X* 5-1350X**	15-178X
1982-1986	K1500 Suburban		I	1	5-3226X	5-760X**	
	K1500 Suburban		I	2	5-153X*	5-1310-1X* 5-1310X**	15-153X
	K1500 Suburban		I	3,4	5-3147X*	5-795X**	15-3147X
	K1500 Suburban	w/ Inside Snap Rings	I	5,6	5-3147X*	5-795X**	15-3147X
	K1500 Suburban	w/ Outside Snap Rings	I	5,6	5-178X*	5-1350-1X* 5-1350X**	15-178X
	K1500 Suburban		I	CV	211009X		
1992-1994	K1500 Suburban		L	2,3,4,5	5-3147X*	5-795X**	15-3147X
1995-1996	K1500 Suburban	Diesel	L	2	5-212X*	5-793X**	
	K1500 Suburban	Gas	L	2,3	5-3147X*	5-795X**	15-3147X
	K1500 Suburban	Diesel	L	3	5-213X*	5-1330-1X* 5-1330X**	15-213X
	K1500 Suburban		L	4,5	5-3147X*	5-795X**	15-3147X
1997-1999	K1500 Suburban		L	2,3	5-3147X*	5-795X**	15-3147X
	K1500 Suburban	w/ Inside Snap Rings	L	4,5	5-3147X*	5-795X**	15-3147X
	K1500 Suburban	w/ Outside Snap Rings	L	4,5	5-178X*	5-1350-1X* 5-1350X**	15-178X
1975-1976	K25	1 Piece Driveshaft	I	2,3,4	5-153X*	5-1310-1X* 5-1310X**	15-153X
	K25	1 Piece Driveshaft; w/ Full Time Transfer Case	I	5,6	5-153X*	5-1310-1X* 5-1310X**	15-153X
	K25	1 Piece Driveshaft; w/ Part Time Transfer Case	I	5,6	5-178X*	5-1350-1X* 5-1350X**	15-178X
	K25	2 Piece Driveshaft	J	2,3,4	5-153X*	5-1310-1X* 5-1310X**	15-153X
	K25	2 Piece Driveshaft; w/ Part Time Transfer Case	J	5,6,7	5-178X*	5-1350-1X* 5-1350X**	15-178X
	K25	2 Piece Driveshaft; w/ Full Time Transfer Case	J	5,7	5-153X*	5-1310-1X* 5-1310X**	15-153X
1975-1978	K25	1 Piece Driveshaft	I	1	5-3226X	5-760X**	
	K25	2 Piece Driveshaft	J	1	5-3226X	5-760X**	

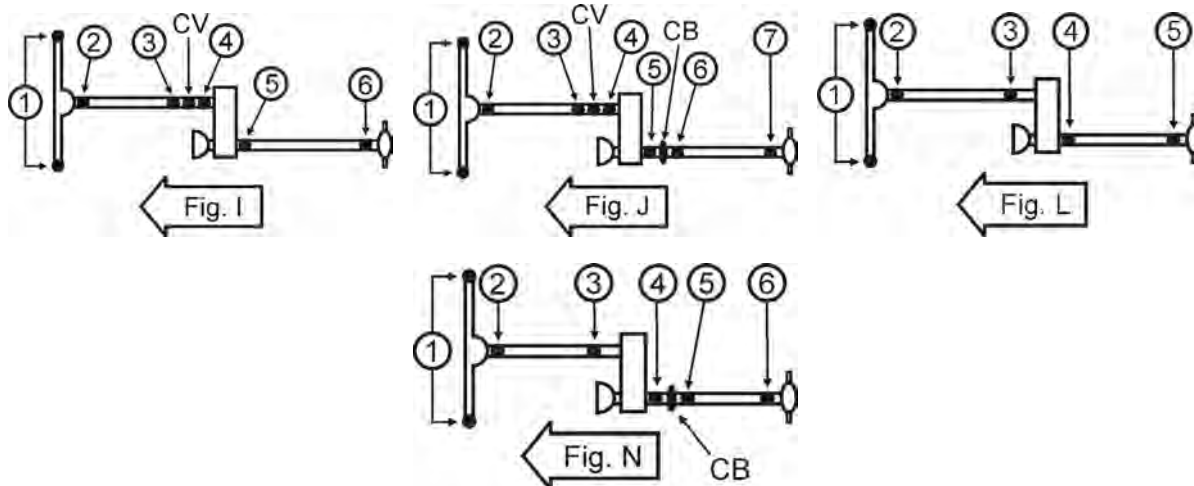
\* GREASEABLE \*\* NON-GREASEABLE

4  
W  
D

**GMC (Cont'd)**

Year	Model	Description	Fig.	Location	Spicer Part #	SPL Part #	SVL Part #
1977-1978	K25	1 Piece Driveshaft; w/ Inside Snap Rings	I	2,3,4	5-3147X*	5-795X**	15-3147X
	K25	1 Piece Driveshaft; w/ Outside Snap Rings	I	2,3,4	5-153X*	5-1310-1X* 5-1310X**	15-153X
	K25	1 Piece Driveshaft	I	5	5-153X*	5-1310-1X* 5-1310X**	15-153X
	K25	1 Piece Driveshaft	I	6	5-178X*	5-1350-1X* 5-1350X**	15-178X
	K25	1 Piece Driveshaft; w/ Inside Snap Rings	I	CV	211009X		
	K25	2 Piece Driveshaft; w/ Inside Snap Rings	J	2,3,4	5-3147X*	5-795X**	15-3147X
	K25	2 Piece Driveshaft; w/ Outside Snap Rings	J	2,3,4	5-153X*	5-1310-1X* 5-1310X**	15-153X
	K25	2 Piece Driveshaft	J	5,6,7	5-178X*	5-1350-1X* 5-1350X**	15-178X
	K25	2 Piece Driveshaft; w/ Inside Snap Rings	J	CV	211009X		
1967-1969	K25/K2500 Pickup	w/ Inside Snap Rings	I	1	5-260X**		15-260X
	K25/K2500 Pickup	w/ Outside Snap Rings	I	1	5-178X*	5-1350-1X* 5-1350X**	15-178X
1967-1972	K25/K2500 Pickup		I	2,3,4,5,6	5-153X*	5-1310-1X* 5-1310X**	15-153X
1970-1971	K25/K2500 Pickup		I	1	5-260X**		15-260X
1972	K25/K2500 Pickup	1.062" Cup Dia.	I	1	5-260X**		15-260X
	K25/K2500 Pickup	1.188" Cup Dia.	I	1	5-3226X	5-760X**	
1973-1974	K25/K2500 Pickup		I	1	5-3226X	5-760X**	
	K25/K2500 Pickup		I	2,3,4	5-153X*	5-1310-1X* 5-1310X**	15-153X
	K25/K2500 Pickup		I	5,6	5-178X*	5-1350-1X* 5-1350X**	15-178X
1979-1981	K2500	1 Piece Driveshaft	I	1	5-3226X	5-760X**	
	K2500	1 Piece Driveshaft	I	2	5-153X*	5-1310-1X* 5-1310X**	15-153X
	K2500	1 Piece Driveshaft	I	3,4	5-3147X*	5-795X**	15-3147X
	K2500	1 Piece Driveshaft	I	5	5-153X*	5-1310-1X* 5-1310X**	15-153X
	K2500	1 Piece Driveshaft	I	6	5-178X*	5-1350-1X* 5-1350X**	15-178X
	K2500	1 Piece Driveshaft	I	CV	211009X		
	K2500	2 Piece Driveshaft	J	1	5-3226X	5-760X**	
	K2500	2 Piece Driveshaft	J	2	5-153X*	5-1310-1X* 5-1310X**	15-153X
	K2500	2 Piece Driveshaft	J	3,4	5-3147X*	5-795X**	15-3147X
	K2500	2 Piece Driveshaft	J	5,6	5-178X*	5-1350-1X* 5-1350X**	15-178X
	K2500	2 Piece Driveshaft	J	CV	211009X		
	1982-1986	K2500		I	1	5-3226X	5-760X**
K2500			I	2	5-153X*	5-1310-1X* 5-1310X**	15-153X
K2500			I	3,4	5-3147X*	5-795X**	15-3147X
K2500			I	5,6	5-178X*	5-1350-1X* 5-1350X**	15-178X
K2500			I	CV	211009X		
1988-1991	K2500	w/ Inside & Outside Snap Rings	N	2	5-212X*	5-793X**	
	K2500	w/ Inside Snap Rings	N	2,3	5-3147X*	5-795X**	15-3147X
	K2500	w/ Outside Snap Rings	N	3	5-213X*	5-1330-1X* 5-1330X**	15-213X
	K2500	w/ Aluminum Shaft	N	4,5,6		5-3615X	
	K2500	w/ Steel Shaft	N	4,5,6	5-178X*	5-1350-1X* 5-1350X**	15-178X
1992-1996	K2500	1 Piece Driveshaft	L	1	5-3226X	5-760X**	
	K2500	1 Piece Aluminum Driveshaft	L	4,5		5-3615X	
	K2500	1 Piece Driveshaft; Steel Driveshaft	L	4,5	5-178X*	5-1350-1X* 5-1350X**	15-178X
	K2500	2 Piece Driveshaft	N	1	5-3226X	5-760X**	

\* GREASEABLE \*\* NON-GREASEABLE



GMC (Cont'd)

Year	Model	Description	Fig.	Location	Spicer Part #	SPL Part #	SVL Part #
1992-1996	K2500	2 Piece Driveshaft	N	2,3	5-3147X*	5-795X**	15-3147X
1994	K2500	Diesel; 2 Piece Driveshaft	N	4,5,6	5-213X*	5-1330-1X* 5-1330X**	15-213X
	K2500	Gas; 2 Piece Driveshaft; Steel Driveshaft	N	4,5,6	5-178X*	5-1350-1X* 5-1350X**	15-178X
1995-1996	K2500	2 Piece Driveshaft; Steel Driveshaft	N	4,5,6	5-178X*	5-1350-1X* 5-1350X**	15-178X
1997-1999	K2500		N	1	5-3226X	5-760X**	
	K2500		N	2,3	5-3147X*	5-795X**	15-3147X
	K2500		N	4,5,6	5-178X*	5-1350-1X* 5-1350X**	15-178X
2000	K2500	1 Piece Driveshaft	L	2,3	5-3147X*	5-795X**	15-3147X
	K2500	V8 5.7L; 1 Piece Driveshaft	L	4,5	5-178X*	5-1350-1X* 5-1350X**	15-178X
	K2500	V8 6.5L; 1 Piece Driveshaft	L	4,5	5-160X*	5-1410-1X* 5-1410X**	15-160X
	K2500	V8 7.4L; 1 Piece Driveshaft	L	4,5	5-160X*	5-1410-1X* 5-1410X**	15-160X
1992-1999	K2500 Suburban		L	2,3	5-3147X*	5-795X**	15-3147X
	K2500 Suburban		L	4,5	5-178X*	5-1350-1X* 5-1350X**	15-178X
1977-1978	K35		N	1		SPL55-3X** SPL55-4X*	
	K35		N	2,3	5-153X*	5-1310-1X* 5-1310X**	15-153X
	K35		N	4,5,6	5-178X*	5-1350-1X* 5-1350X**	15-178X
1979	K3500		J	2,3,4	5-153X*	5-1310-1X* 5-1310X**	15-153X
	K3500	Auto Trans	J	5	5-153X*	5-1310-1X* 5-1310X**	15-153X
	K3500	Standard Trans	J	5	5-178X*	5-1350-1X* 5-1350X**	15-178X
	K3500		J	6,7	5-178X*	5-1350-1X* 5-1350X**	15-178X
1979-1986	K3500		J	1		SPL55-3X** SPL55-4X*	
1980-1986	K3500	1 Piece Driveshaft	I	CV	211009X		
	K3500		J	2	5-153X*	5-1310-1X* 5-1310X**	15-153X
	K3500		J	3,4	5-3147X*	5-795X**	15-3147X
	K3500		J	5,6,7	5-178X*	5-1350-1X* 5-1350X**	15-178X

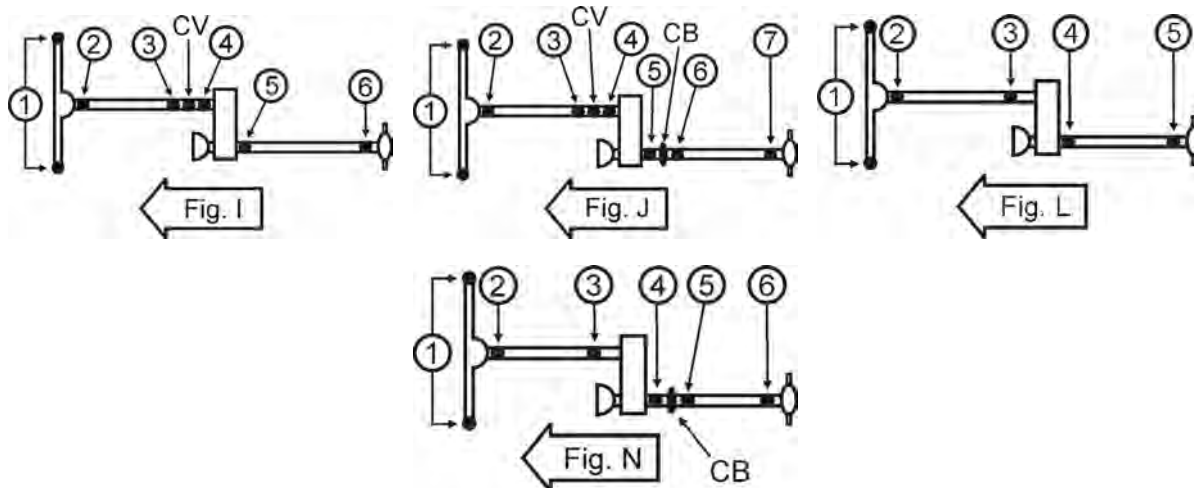
\* GREASEABLE \*\* NON-GREASEABLE

4  
W  
D

**GMC (Cont'd)**

Year	Model	Description	Fig.	Location	Spicer Part #	SPL Part #	SVL Part #
1980-1986	K3500	2 Piece Driveshaft	J	CV	211009X		
1988-1989	K3500	1 Piece Driveshaft; w/ CV at Transfer Case	I	1		SPL55-3X** SPL55-4X*	
	K3500	1 Piece Driveshaft; w/ CV at Transfer Case	I	3,4	5-3147X*	5-795X**	15-3147X
	K3500	1 Piece Driveshaft; w/ CV at Transfer Case; w/ Aluminum Shaft	I	5,6		5-3615X	
	K3500	1 Piece Driveshaft; w/ CV at Transfer Case; w/ Steel Shaft	I	5,6	5-178X*	5-1350-1X* 5-1350X**	15-178X
	K3500	2 Piece Driveshaft; w/ CV at Transfer Case	J	1		SPL55-3X** SPL55-4X*	
	K3500	2 Piece Driveshaft; w/ CV at Transfer Case	J	3,4	5-3147X*	5-795X**	15-3147X
	K3500	2 Piece Driveshaft; w/ CV at Transfer Case; w/ Aluminum Shaft	J	5,6,7		5-3615X	
	K3500	2 Piece Driveshaft; w/ CV at Transfer Case; w/ Steel Shaft	J	5,6,7	5-178X*	5-1350-1X* 5-1350X**	15-178X
	K3500	1 Piece Driveshaft; w/ Outside Snap Rings; w/o CV at Transfer Case	L	2	5-212X*	5-793X**	
	K3500	1 Piece Driveshaft; w/ Inside Snap Rings; w/o CV at Transfer Case	L	2,3	5-3147X*	5-795X**	15-3147X
	K3500	1 Piece Driveshaft; w/ Outside Snap Rings; w/ Aluminum Yoke; w/o CV at Transfer Case	L	3		5-3614X	
	K3500	1 Piece Driveshaft; w/ Outside Snap Rings; w/ Steel Yoke; w/o CV at Transfer Case	L	3	5-213X*	5-1330-1X* 5-1330X**	15-213X
	K3500	1 Piece Driveshaft; w/ Aluminum Shaft; w/o CV at Transfer Case	L	4,5		5-3615X	
	K3500	1 Piece Driveshaft; w/ Steel Shaft; w/o CV at Transfer Case	L	4,5	5-178X*	5-1350-1X* 5-1350X**	15-178X
	K3500	2 Piece Driveshaft; w/ Outside Snap Rings; w/o CV at Transfer Case	N	2	5-212X*	5-793X**	
	K3500	2 Piece Driveshaft; w/ Inside Snap Rings; w/o CV at Transfer Case	N	2,3	5-3147X*	5-795X**	15-3147X
	K3500	2 Piece Driveshaft; w/ Outside Snap Rings; w/ Aluminum Yoke; w/o CV at Transfer Case	N	3		5-3614X	
	K3500	2 Piece Driveshaft; w/ Outside Snap Rings; w/ Steel Yoke; w/o CV at Transfer Case	N	3	5-213X*	5-1330-1X* 5-1330X**	15-213X
	K3500	2 Piece Driveshaft; w/ Aluminum Shaft; w/o CV at Transfer Case	N	4,5,6		5-3615X	
	K3500	2 Piece Driveshaft; w/ Steel Shaft; w/o CV at Transfer Case	N	4,5,6	5-178X*	5-1350-1X* 5-1350X**	15-178X
1990-1991	K3500	1 Piece Driveshaft; w/ Inside Snap Rings	L	2,3	5-3147X*	5-795X**	15-3147X
	K3500	1 Piece Driveshaft; w/ Outside Snap Rings; w/ Aluminum Yoke	L	2,3		5-3614X	
	K3500	1 Piece Driveshaft; w/ Outside Snap Rings; w/ Steel Yoke	L	2,3	5-213X*	5-1330-1X* 5-1330X**	15-213X
	K3500	2 Piece Driveshaft; w/ Inside Snap Rings	N	2,3	5-3147X*	5-795X**	15-3147X
	K3500	2 Piece Driveshaft; w/ Outside Snap Rings; w/ Aluminum Yoke	N	2,3		5-3614X	
	K3500	2 Piece Driveshaft; w/ Outside Snap Rings; w/ Steel Yoke	N	2,3	5-213X*	5-1330-1X* 5-1330X**	15-213X
1990-1996	K3500	1 Piece Driveshaft; w/ Aluminum Shaft	L	4,5		5-3615X	
	K3500	1 Piece Driveshaft; w/ Steel Shaft	L	4,5	5-178X*	5-1350-1X* 5-1350X**	15-178X
	K3500	2 Piece Driveshaft; w/ Aluminum Shaft	N	4,5,6		5-3615X	
	K3500	2 Piece Driveshaft; w/ Steel Shaft	N	4,5,6	5-178X*	5-1350-1X* 5-1350X**	15-178X
1992-1996	K3500	2 Piece Driveshaft	N	2,3	5-3147X*	5-795X**	15-3147X
1997-1998	K3500	Cab & Chassis; 135.5" WB; 159.5" WB; 168.5" WB	N	4,6	5-160X*	5-1410-1X* 5-1410X**	15-160X
1997-1999	K3500		N	2,3	5-3147X*	5-795X**	15-3147X
	K3500	Crew Cab; Extended Cab; Standard Cab; w/ Aluminum Shaft	N	4,6		5-3615X	
	K3500	Crew Cab; Extended Cab; Standard Cab; w/ Steel Shaft	N	4,6	5-178X*	5-1350-1X* 5-1350X**	15-178X

\* GREASEABLE \*\* NON-GREASEABLE



GMC (Cont'd)

Year	Model	Description	Fig.	Location	Spicer Part #	SPL Part #	SVL Part #
1997-1999	K3500	Cab & Chassis; 159.5" WB; 168.5" WB	N	5	5-160X*	5-1410-1X* 5-1410X**	15-160X
	K3500	Crew Cab; Extended Cab; w/ Aluminum Shaft	N	5		5-3615X	
	K3500	Crew Cab; Extended Cab; w/ Steel Shaft	N	5	5-178X*	5-1350-1X* 5-1350X**	15-178X
1999	K3500	Cab & Chassis; 135.5" WB; 141.5" WB; 159.5" WB; 168.5" WB	N	4,6	5-160X*	5-1410-1X* 5-1410X**	15-160X
2000	K3500	1 Piece Driveshaft	L	2,3	5-3147X*	5-795X**	15-3147X
	K3500	V8 5.7L; 1 Piece Driveshaft	L	4,5	5-178X*	5-1350-1X* 5-1350X**	15-178X
	K3500	V8 6.5L; 1 Piece Driveshaft	L	4,5	5-160X*	5-1410-1X* 5-1410X**	15-160X
	K3500	V8 7.4L; 1 Piece Driveshaft	L	4,5	5-160X*	5-1410-1X* 5-1410X**	15-160X
1983-1987	S15	1 Piece Driveshaft	L	2,3	5-3213X		
	S15	2 Piece Driveshaft	N	2,3	5-3213X		
1983-1990	S15	1 Piece Driveshaft	L	4,5	5-3147X*	5-795X**	15-3147X
	S15	2 Piece Driveshaft	N	4,5,6	5-3147X*	5-795X**	15-3147X
1988-1990	S15	1 Piece Driveshaft; w/ Press-on Slip Yoke Seal	L	2	5-3249X		
	S15	1 Piece Driveshaft; w/ Screw-on Slip Yoke Seal	L	2,3	5-3213X		
	S15	1 Piece Driveshaft; w/ Press-on Slip Yoke Seal	L	3	5-153X*	5-1310-1X* 5-1310X**	15-153X
	S15	2 Piece Driveshaft; w/ Press-on Slip Yoke Seal	N	2	5-3249X		
	S15	2 Piece Driveshaft; w/ Screw-on Slip Yoke Seal	N	2,3	5-3213X		
	S15	2 Piece Driveshaft; w/ Press-on Slip Yoke Seal	N	3	5-153X*	5-1310-1X* 5-1310X**	15-153X
1983-1987	S15 Jimmy		L	2,3	5-3213X		
1983-1991	S15 Jimmy		L	4,5	5-3147X*	5-795X**	15-3147X
1988-1991	S15 Jimmy	w/ Press-on Slip Yoke Seal	L	2	5-3249X		
	S15 Jimmy	w/ Screw-on Slip Yoke Seal	L	2,3	5-3213X		
	S15 Jimmy	w/ Press-on Slip Yoke Seal	L	3	5-153X*	5-1310-1X* 5-1310X**	15-153X
1990-2002	Safari		L	2,4	5-3147X*	5-795X**	15-3147X
	Safari	w/ Aluminum Shaft	L	5		5-3615X	
	Safari	w/ Steel Shaft	L	5	5-178X*	5-1350-1X* 5-1350X**	15-178X
2003-2005	Safari		L	2,4,5	5-3147X*	5-795X**	15-3147X

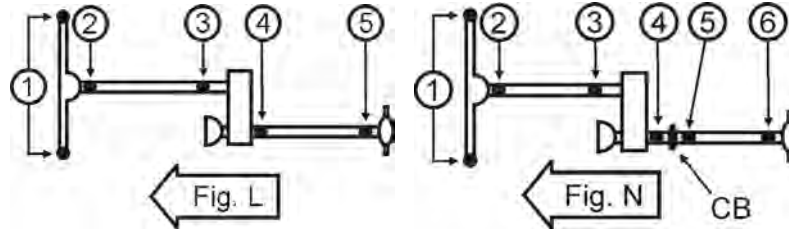
\* GREASEABLE \*\* NON-GREASEABLE

4  
W  
D

**GMC (Cont'd)**

Year	Model	Description	Fig.	Location	Spicer Part #	SPL Part #	SVL Part #
2007-2013	Savana 1500	V8 5.3L; Base; 1 Piece Driveshaft	L	2,3,4,5	5-3147X*	5-795X**	15-3147X
	Savana 1500	V8 5.3L; LS; 1 Piece Driveshaft	L	2,3,4,5	5-3147X*	5-795X**	15-3147X
	Savana 1500	V8 5.3L; LT; 1 Piece Driveshaft	L	2,3,4,5	5-3147X*	5-795X**	15-3147X
2014	Savana 1500	V8 5.3L; 1 Piece Driveshaft	L	2,3,4,5	5-3147X*	5-795X**	15-3147X
1999-2001	Sierra 1500	Extended Cab; Standard Bed; 1 Piece Driveshaft	L	4	5-213X*	5-1330-1X* 5-1330X**	15-213X
	Sierra 1500	Extended Cab; Standard Bed; 1 Piece Driveshaft	L	5	5-212X*	5-793X**	
1999-2004	Sierra 1500	Standard Cab; 1 Piece Driveshaft	L	4,5	5-3147X*	5-795X**	15-3147X
	Sierra 1500	Extended Cab; Long Bed; 2 Piece Driveshaft	N	4,5	5-213X*	5-1330-1X* 5-1330X**	15-213X
	Sierra 1500	Extended Cab; Long Bed; 2 Piece Driveshaft	N	6	5-212X*	5-793X**	
1999-2006	Sierra 1500	1 Piece Driveshaft	L	2,3	5-3147X*	5-795X**	15-3147X
	Sierra 1500	2 Piece Driveshaft	N	2,3	5-3147X*	5-795X**	15-3147X
2002-2004	Sierra 1500	Extended Cab; Standard Bed; 1 Piece Driveshaft; w/o Quadrasteer	L	4	5-213X*	5-1330-1X* 5-1330X**	15-213X
	Sierra 1500	Extended Cab; Standard Bed; 1 Piece Driveshaft; w/ Quadrasteer	L	4,5	5-178X*	5-1350-1X* 5-1350X**	15-178X
	Sierra 1500	Extended Cab; Standard Bed; 1 Piece Driveshaft; w/o Quadrasteer	L	5	5-212X*	5-793X**	
2004	Sierra 1500	Crew Cab; 2 Piece Driveshaft	N	4,5,6	5-178X*	5-1350-1X* 5-1350X**	15-178X
2005	Sierra 1500	Crew Cab; 1 Piece Driveshaft; w/o Quadrasteer	L	4,5	5-178X*	5-1350-1X* 5-1350X**	15-178X
	Sierra 1500	Crew Cab; Extended Cab; 1 Piece Driveshaft; w/ Quadrasteer	L	4,5	5-178X*	5-1350-1X* 5-1350X**	15-178X
	Sierra 1500	Extended Cab; Standard Bed; 1 Piece Driveshaft; w/o Quadrasteer	L	4,5	5-178X*	5-1350-1X* 5-1350X**	15-178X
	Sierra 1500	Standard Cab; 1 Piece Driveshaft; w/ Inside Snap Rings	L	4,5	5-3147X*	5-795X**	15-3147X
	Sierra 1500	Standard Cab; 1 Piece Driveshaft; w/ Outside Snap Rings	L	4,5	5-178X*	5-1350-1X* 5-1350X**	15-178X
	Sierra 1500	Extended Cab; Long Bed; 2 Piece Driveshaft; w/ 1.062" Cup Dia.	N	4,5	5-213X*	5-1330-1X* 5-1330X**	15-213X
	Sierra 1500	Extended Cab; Long Bed; 2 Piece Driveshaft; w/ 1.188" Cup Dia.; w/o Quadrasteer	N	4,5,6	5-178X*	5-1350-1X* 5-1350X**	15-178X
	Sierra 1500	Extended Cab; Long Bed; 2 Piece Driveshaft; w/ 1.062" & 1.125" Cup Dia.	N	5	5-212X*	5-793X**	
2006	Sierra 1500	Crew Cab; Standard Cab; 1 Piece Driveshaft	L	4,5	5-178X*	5-1350-1X* 5-1350X**	15-178X
	Sierra 1500	Extended Cab; Standard Bed; 1 Piece Driveshaft	L	4,5	5-178X*	5-1350-1X* 5-1350X**	15-178X
	Sierra 1500	Extended Cab; Long Bed; 2 Piece Driveshaft	N	4,5,6	5-178X*	5-1350-1X* 5-1350X**	15-178X
2007-2013	Sierra 1500		L	2,3	5-3147X*	5-795X**	15-3147X
	Sierra 1500		L	4,5	5-178X*	5-1350-1X* 5-1350X**	15-178X
2014-2016	Sierra 1500	V8 5.3L; 1 Piece Driveshaft	L	2,3	5-3147X*	5-795X**	15-3147X
	Sierra 1500	V8 6.2L; 1 Piece Driveshaft	L	2,3	5-3147X*	5-795X**	15-3147X
	Sierra 1500	V8 5.3L; 1 Piece Driveshaft	L	4,5	5-160X*	5-1410-1X* 5-1410X**	15-160X
	Sierra 1500	V8 6.2L; 1 Piece Driveshaft	L	4,5	5-160X*	5-1410-1X* 5-1410X**	15-160X
2007	Sierra 1500 Classic	1 Piece Driveshaft	L	2,3	5-3147X*	5-795X**	15-3147X
	Sierra 1500 Classic	Crew Cab; 1 Piece Driveshaft; w/ Aluminum Yoke	L	4,5		5-3615X	
	Sierra 1500 Classic	Crew Cab; 1 Piece Driveshaft; w/ Steel Yoke	L	4,5	5-178X*	5-1350-1X* 5-1350X**	15-178X
	Sierra 1500 Classic	Extended Cab; 78.0" Bed; 1 Piece Driveshaft; w/ Aluminum Yoke	L	4,5		5-3615X	
	Sierra 1500 Classic	Extended Cab; 78.0" Bed; 1 Piece Driveshaft; w/ Steel Yoke	L	4,5	5-178X*	5-1350-1X* 5-1350X**	15-178X

\* GREASEABLE \*\* NON-GREASEABLE



**GMC (Cont'd)**

Year	Model	Description	Fig.	Location	Spicer Part #	SPL Part #	SVL Part #
2007	Sierra 1500 Classic	Extended Cab; 96.0" Bed; 1 Piece Driveshaft; w/ Aluminum Yoke	L	4,5		5-3615X	
	Sierra 1500 Classic	Extended Cab; 96.0" Bed; 1 Piece Driveshaft; w/ Steel Yoke	L	4,5	5-178X*	5-1350-1X* 5-1350X**	15-178X
	Sierra 1500 Classic	Standard Cab; 1 Piece Driveshaft	L	4,5	5-3208X		
	Sierra 1500 Classic	2 Piece Driveshaft	N	2,3	5-3147X*	5-795X**	15-3147X
	Sierra 1500 Classic	Extended Cab; 96.0" Bed; 2 Piece Driveshaft; w/ Aluminum Yoke	N	4,5,6		5-3615X	
	Sierra 1500 Classic	Extended Cab; 96.0" Bed; 2 Piece Driveshaft; w/ Steel Yoke	N	4,5,6	5-178X*	5-1350-1X* 5-1350X**	15-178X
	Sierra 1500 Classic	Crew Cab; 2 Piece Driveshaft; w/ Aluminum Yoke	N	4,6		5-3615X	
	Sierra 1500 Classic	Crew Cab; 2 Piece Driveshaft; w/ Steel Yoke	N	4,6	5-178X*	5-1350-1X* 5-1350X**	15-178X
	Sierra 1500 Classic	Extended Cab; 78.0" Bed; 2 Piece Driveshaft; w/ Aluminum Yoke	N	4,6		5-3615X	
	Sierra 1500 Classic	Extended Cab; 78.0" Bed; 2 Piece Driveshaft; w/ Steel Yoke	N	4,6	5-178X*	5-1350-1X* 5-1350X**	15-178X
	Sierra 1500 Classic	Standard Cab; 2 Piece Driveshaft	N	4,6	5-3208X		
2001	Sierra 1500 HD		N	4,5	5-213X*	5-1330-1X* 5-1330X**	15-213X
	Sierra 1500 HD		N	6	5-212X*	5-793X**	
2001-2003	Sierra 1500 HD		N	2,3	5-3147X*	5-795X**	15-3147X
2002-2003	Sierra 1500 HD		N	4,5,6	5-178X*	5-1350-1X* 5-1350X**	15-178X
2005	Sierra 1500 HD		L	4,5	5-178X*	5-1350-1X* 5-1350X**	15-178X
2005-2006	Sierra 1500 HD		L	2,3	5-3147X*	5-795X**	15-3147X
2006	Sierra 1500 HD	w/ Aluminum Yoke	L	2		5-3615X	
	Sierra 1500 HD	w/ Steel Yoke	L	2	5-178X*	5-1350-1X* 5-1350X**	15-178X
2007	Sierra 1500 HD Classic	w/ Aluminum Shaft	N	2,3	5-3147X*	5-795X**	15-3147X
	Sierra 1500 HD Classic	w/ Aluminum Shaft	N	4,5,6		5-3615X	
1999-2000	Sierra 2500	Auto Trans; w/ Aluminum Yoke	N	4,5,6		5-3615X	
	Sierra 2500	Auto Trans; w/ Steel Yoke	N	4,5,6	5-178X*	5-1350-1X* 5-1350X**	15-178X
	Sierra 2500	Standard Trans; w/ Aluminum Yoke	N	4,6		5-3616X	
	Sierra 2500	Standard Trans; w/ Steel Yoke	N	4,6	5-160X*	5-1410-1X* 5-1410X**	15-160X
2001-2003	Sierra 2500		L	2,3	5-3147X*	5-795X**	15-3147X
	Sierra 2500	w/ Aluminum Yoke	L	4,5		5-3615X	
	Sierra 2500	w/ Steel Yoke	L	4,5	5-178X*	5-1350-1X* 5-1350X**	15-178X
2004	Sierra 2500		N	2,3	5-3147X*	5-795X**	15-3147X
	Sierra 2500	Crew Cab; Extended Cab; Standard Cab; w/ Aluminum Yoke	N	4,6		5-3615X	
	Sierra 2500	Crew Cab; Extended Cab; Standard Cab; w/ Steel Yoke	N	4,6	5-178X*	5-1350-1X* 5-1350X**	15-178X
	Sierra 2500	Crew Cab; w/ Aluminum Yoke	N	5		5-3615X	
	Sierra 2500	Crew Cab; w/ Steel Yoke	N	5	5-178X*	5-1350-1X* 5-1350X**	15-178X
2001-2004	Sierra 2500 HD	1 Piece Driveshaft; w/ AAM 1415 Series Driveshaft	L	4,5	5-3207X**		

\* GREASEABLE \*\* NON-GREASEABLE

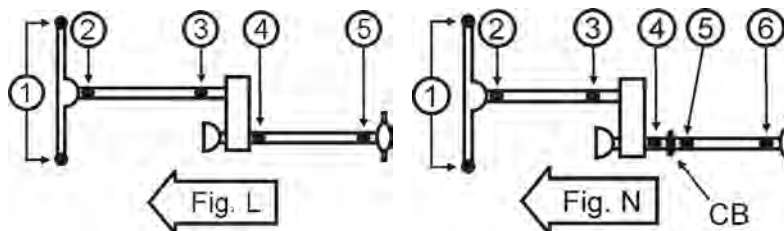
4  
W  
D

**GMC (Cont'd)**

Year	Model	Description	Fig.	Location	Spicer Part #	SPL Part #	SVL Part #
2001-2004	Sierra 2500 HD	1 Piece Driveshaft; w/ Spicer Driveshaft 1410 Series Driveshaft	L	4,5	5-160X*	5-1410-1X* 5-1410X**	15-160X
	Sierra 2500 HD	1 Piece Driveshaft; w/ Spicer Driveshaft 1480 Series Driveshaft	L	4,5	5-188X*	SPL55-1X* SPL55X**	15-188X
	Sierra 2500 HD	2 Piece Driveshaft; w/ AAM 1415 Series Driveshaft	N	4,5,6	5-3207X**		
	Sierra 2500 HD	2 Piece Driveshaft; w/ Spicer Driveshaft 1410 Series Driveshaft	N	4,5,6	5-160X*	5-1410-1X* 5-1410X**	15-160X
	Sierra 2500 HD	2 Piece Driveshaft; w/ Spicer Driveshaft 1480 Series Driveshaft	N	4,5,6	5-188X*	SPL55-1X* SPL55X**	15-188X
2005-2006	Sierra 2500 HD	Crew Cab; Auto Trans; 1 Piece Driveshaft	L	4,5	5-160X*	5-1410-1X* 5-1410X**	15-160X
	Sierra 2500 HD	Crew Cab; Standard Trans; 5 Speed; 1 Piece Driveshaft	L	4,5	5-160X*	5-1410-1X* 5-1410X**	15-160X
	Sierra 2500 HD	Crew Cab; Standard Trans; 6 Speed; 1 Piece Driveshaft	L	4,5	5-188X*	SPL55-1X* SPL55X**	15-188X
	Sierra 2500 HD	Extended Cab; 78.0" Bed; Auto Trans; 4 Speed; 1 Piece Driveshaft	L	4,5	5-160X*	5-1410-1X* 5-1410X**	15-160X
	Sierra 2500 HD	Extended Cab; 78.0" Bed; Auto Trans; 5 Speed; 1 Piece Driveshaft	L	4,5	5-188X*	SPL55-1X* SPL55X**	15-188X
	Sierra 2500 HD	Extended Cab; 78.0" Bed; Standard Trans; 5 Speed; 1 Piece Driveshaft	L	4,5	5-160X*	5-1410-1X* 5-1410X**	15-160X
	Sierra 2500 HD	Extended Cab; 78.0" Bed; Standard Trans; 6 Speed; 1 Piece Driveshaft	L	4,5	5-188X*	SPL55-1X* SPL55X**	15-188X
	Sierra 2500 HD	Extended Cab; 96.0" Bed; Auto Trans; 1 Piece Driveshaft	L	4,5	5-160X*	5-1410-1X* 5-1410X**	15-160X
	Sierra 2500 HD	Extended Cab; 96.0" Bed; Standard Trans; 5 Speed; 1 Piece Driveshaft	L	4,5	5-160X*	5-1410-1X* 5-1410X**	15-160X
	Sierra 2500 HD	Extended Cab; 96.0" Bed; Standard Trans; 6 Speed; 1 Piece Driveshaft	L	4,5	5-188X*	SPL55-1X* SPL55X**	15-188X
	Sierra 2500 HD	Standard Cab; Auto Trans; 4 Speed; 1 Piece Driveshaft	L	4,5	5-3207X**		
	Sierra 2500 HD	Standard Cab; Auto Trans; 5 Speed; 1 Piece Driveshaft	L	4,5	5-188X*	SPL55-1X* SPL55X**	15-188X
	Sierra 2500 HD	Standard Cab; Standard Trans; 5 Speed; 1 Piece Driveshaft	L	4,5	5-3207X**		
	Sierra 2500 HD	Standard Cab; Standard Trans; 6 Speed; 1 Piece Driveshaft	L	4,5	5-188X*	SPL55-1X* SPL55X**	15-188X
	Sierra 2500 HD	Crew Cab; Auto Trans; 2 Piece Driveshaft	N	4,5,6	5-160X*	5-1410-1X* 5-1410X**	15-160X
	Sierra 2500 HD	Crew Cab; Standard Trans; 5 Speed; 2 Piece Driveshaft	N	4,5,6	5-160X*	5-1410-1X* 5-1410X**	15-160X
	Sierra 2500 HD	Crew Cab; Standard Trans; 6 Speed; 2 Piece Driveshaft	N	4,5,6	5-188X*	SPL55-1X* SPL55X**	15-188X
	Sierra 2500 HD	Extended Cab; 78.0" Bed; Auto Trans; 4 Speed; 2 Piece Driveshaft	N	4,5,6	5-160X*	5-1410-1X* 5-1410X**	15-160X
	Sierra 2500 HD	Extended Cab; 78.0" Bed; Auto Trans; 5 Speed; 2 Piece Driveshaft	N	4,5,6	5-188X*	SPL55-1X* SPL55X**	15-188X
	Sierra 2500 HD	Extended Cab; 78.0" Bed; Standard Trans; 5 Speed; 2 Piece Driveshaft	N	4,5,6	5-160X*	5-1410-1X* 5-1410X**	15-160X
	Sierra 2500 HD	Extended Cab; 78.0" Bed; Standard Trans; 6 Speed; 2 Piece Driveshaft	N	4,5,6	5-188X*	SPL55-1X* SPL55X**	15-188X
	Sierra 2500 HD	Extended Cab; 96.0" Bed; Auto Trans; 2 Piece Driveshaft	N	4,5,6	5-160X*	5-1410-1X* 5-1410X**	15-160X
	Sierra 2500 HD	Extended Cab; 96.0" Bed; Standard Trans; 5 Speed; 2 Piece Driveshaft	N	4,5,6	5-160X*	5-1410-1X* 5-1410X**	15-160X
	Sierra 2500 HD	Extended Cab; 96.0" Bed; Standard Trans; 6 Speed; 2 Piece Driveshaft	N	4,5,6	5-188X*	SPL55-1X* SPL55X**	15-188X
	Sierra 2500 HD	Standard Cab; Auto Trans; 4 Speed; 2 Piece Driveshaft	N	4,5,6	5-3207X**		
	Sierra 2500 HD	Standard Cab; Auto Trans; 5 Speed; 2 Piece Driveshaft	N	4,5,6	5-188X*	SPL55-1X* SPL55X**	15-188X
	Sierra 2500 HD	Standard Cab; Standard Trans; 5 Speed; 2 Piece Driveshaft	N	4,5,6	5-3207X**		

\* GREASEABLE \*\* NON-GREASEABLE





GMC (Cont'd)

Year	Model	Description	Fig.	Location	Spicer Part #	SPL Part #	SVL Part #
2005-2006	Sierra 2500 HD	Standard Cab; Standard Trans; 6 Speed; 2 Piece Driveshaft	N	4,5,6	5-188X*	SPL55-1X* SPL55X**	15-188X
2007-2010	Sierra 2500 HD	6.0L; 1 Piece Driveshaft	L	4,5	5-160X*	5-1410-1X* 5-1410X**	15-160X
	Sierra 2500 HD	6.6L; 1 Piece Driveshaft; w/ AAM 1485 Series Driveshaft	L	4,5	5-3206X		
	Sierra 2500 HD	6.0L; 2 Piece Driveshaft	N	4,5,6	5-160X*	5-1410-1X* 5-1410X**	15-160X
	Sierra 2500 HD	6.6L; 2 Piece Driveshaft; w/ AAM 1485 Series Driveshaft	N	4,6	5-3206X		
2011	Sierra 2500 HD	w/ AAM 1415 Series Driveshaft	N	4,5,6	5-3207X**		
	Sierra 2500 HD	w/ AAM 1485 Series Driveshaft	N	4,5,6	5-3206X		
	Sierra 2500 HD	w/ Spicer Driveshaft	N	4,5,6	5-160X*	5-1410-1X* 5-1410X**	15-160X
2011-2013	Sierra 2500 HD		N	2,3	5-3147X*	5-795X**	15-3147X
2012-2013	Sierra 2500 HD	6.0L	N	4,5,6	5-3207X**		
	Sierra 2500 HD	6.6L	N	4,5,6	5-3206X		
2014	Sierra 2500 HD	V8 6.0L; WT; 1 Piece Driveshaft	L	4,5	5-160X*	5-1410-1X* 5-1410X**	15-160X
	Sierra 2500 HD	V8 6.6L; WT; 133.6in WB; 1 Piece Driveshaft	L	4,5	5-188X*	SPL55-1X* SPL55X**	15-188X
	Sierra 2500 HD	V8 6.0L; WT; 2 Piece Driveshaft	N	5,6	5-160X*	5-1410-1X* 5-1410X**	15-160X
	Sierra 2500 HD	V8 6.6L; WT; 153.7in WB; 2 Piece Driveshaft	N	5,6	5-188X*	SPL55-1X* SPL55X**	15-188X
	Sierra 2500 HD	V8 6.6L; WT; 167.7in WB; 2 Piece Driveshaft	N	5,6	5-188X*	SPL55-1X* SPL55X**	15-188X
2014-2015	Sierra 2500 HD	V8 6.0L; Denali; 2 Piece Driveshaft	N	5,6	5-160X*	5-1410-1X* 5-1410X**	15-160X
	Sierra 2500 HD	V8 6.0L; SLE; 2 Piece Driveshaft	N	5,6	5-160X*	5-1410-1X* 5-1410X**	15-160X
	Sierra 2500 HD	V8 6.0L; SLT; 2 Piece Driveshaft	N	5,6	5-160X*	5-1410-1X* 5-1410X**	15-160X
	Sierra 2500 HD	V8 6.6L; SLE; 153.7in WB; 2 Piece Driveshaft	N	5,6	5-188X*	SPL55-1X* SPL55X**	15-188X
	Sierra 2500 HD	V8 6.6L; SLE; 167.7in WB; 2 Piece Driveshaft	N	5,6	5-188X*	SPL55-1X* SPL55X**	15-188X
	Sierra 2500 HD	V8 6.6L; SLT; 2 Piece Driveshaft	N	5,6	5-188X*	SPL55-1X* SPL55X**	15-188X
2014-2016	Sierra 2500 HD	1 Piece Driveshaft	L	2,3	5-3147X*	5-795X**	15-3147X
	Sierra 2500 HD	V8 6.0L; Denali; 1 Piece Driveshaft	L	4,5	5-160X*	5-1410-1X* 5-1410X**	15-160X
	Sierra 2500 HD	V8 6.0L; SLE; 1 Piece Driveshaft	L	4,5	5-160X*	5-1410-1X* 5-1410X**	15-160X
	Sierra 2500 HD	V8 6.0L; SLT; 1 Piece Driveshaft	L	4,5	5-160X*	5-1410-1X* 5-1410X**	15-160X
	Sierra 2500 HD	V8 6.6L; SLE; 133.6in WB; 1 Piece Driveshaft	L	4,5	5-188X*	SPL55-1X* SPL55X**	15-188X
	Sierra 2500 HD	2 Piece Driveshaft	N	2,3	5-3147X*	5-795X**	15-3147X
	Sierra 2500 HD	V8 6.6L; Denali; 2 Piece Driveshaft	N	6	5-188X*	SPL55-1X* SPL55X**	15-188X
2015	Sierra 2500 HD	V8 6.0L; Base; 2 Piece Driveshaft	N	5,6	5-160X*	5-1410-1X* 5-1410X**	15-160X

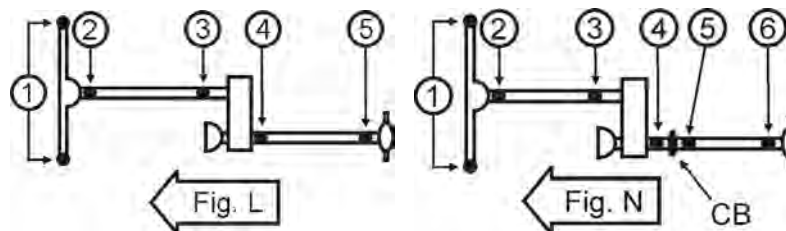
\* GREASEABLE \*\* NON-GREASEABLE

4  
W  
D

**GMC (Cont'd)**

Year	Model	Description	Fig.	Location	Spicer Part #	SPL Part #	SVL Part #	
2015	Sierra 2500 HD	V8 6.6L; Base; 2 Piece Driveshaft	N	5,6	5-160X*	5-1410-1X* 5-1410X**	15-160X	
	Sierra 2500 HD	V8 6.6L; SLE; 144.2in WB; 2 Piece Driveshaft	N	5,6	5-188X*	SPL55-1X* SPL55X**	15-188X	
	Sierra 2500 HD	V8 6.6L; SLE; 158.1in WB; 2 Piece Driveshaft	N	5,6	5-188X*	SPL55-1X* SPL55X**	15-188X	
2015-2016	Sierra 2500 HD	V8 6.0L; Base; 1 Piece Driveshaft	L	4,5	5-160X*	5-1410-1X* 5-1410X**	15-160X	
	Sierra 2500 HD	V8 6.6L; Base; 1 Piece Driveshaft	L	4,5	5-160X*	5-1410-1X* 5-1410X**	15-160X	
2016	Sierra 2500 HD	V8 6.0L; 2 Piece Driveshaft	N	5	5-160X*	5-1410-1X* 5-1410X**	15-160X	
	Sierra 2500 HD	V8 6.6L; 144.2in WB; 2 Piece Driveshaft	N	5	5-188X*	SPL55-1X* SPL55X**	15-188X	
	Sierra 2500 HD	V8 6.6L; 153.7in WB; 2 Piece Driveshaft	N	5	5-188X*	SPL55-1X* SPL55X**	15-188X	
	Sierra 2500 HD	V8 6.6L; 158.1in WB; 2 Piece Driveshaft	N	5	5-188X*	SPL55-1X* SPL55X**	15-188X	
	Sierra 2500 HD	V8 6.6L; 167.7in WB; 2 Piece Driveshaft	N	5	5-188X*	SPL55-1X* SPL55X**	15-188X	
	Sierra 2500 HD	V8 6.6L; 2 Piece Driveshaft	N	5	5-160X* 5-188X*	5-1410-1X* 5-1410X** SPL55-1X* SPL55X**	15-160X 15-188X	
	Sierra 2500 HD	V8 6.0L; Base; 2 Piece Driveshaft	N	6	5-160X*	5-1410-1X* 5-1410X**	15-160X	
	Sierra 2500 HD	V8 6.0L; Denali; 2 Piece Driveshaft	N	6	5-160X*	5-1410-1X* 5-1410X**	15-160X	
	Sierra 2500 HD	V8 6.0L; SLE; 2 Piece Driveshaft	N	6	5-160X*	5-1410-1X* 5-1410X**	15-160X	
	Sierra 2500 HD	V8 6.0L; SLT; 2 Piece Driveshaft	N	6	5-160X*	5-1410-1X* 5-1410X**	15-160X	
	Sierra 2500 HD	V8 6.6L; Base; 2 Piece Driveshaft	N	6	5-160X*	5-1410-1X* 5-1410X**	15-160X	
	Sierra 2500 HD	V8 6.6L; SLE; 144.2in WB; 2 Piece Driveshaft	N	6	5-188X*	SPL55-1X* SPL55X**	15-188X	
	Sierra 2500 HD	V8 6.6L; SLE; 153.7in WB; 2 Piece Driveshaft	N	6	5-188X*	SPL55-1X* SPL55X**	15-188X	
	Sierra 2500 HD	V8 6.6L; SLE; 158.1in WB; 2 Piece Driveshaft	N	6	5-188X*	SPL55-1X* SPL55X**	15-188X	
	Sierra 2500 HD	V8 6.6L; SLE; 167.7in WB; 2 Piece Driveshaft	N	6	5-188X*	SPL55-1X* SPL55X**	15-188X	
	Sierra 2500 HD	V8 6.6L; SLT; 2 Piece Driveshaft	N	6	5-188X*	SPL55-1X* SPL55X**	15-188X	
	2001-2005	Sierra 3500	Standard Cab; 1 Piece Driveshaft; w/ AAM 1415 Series Driveshaft	L	4,5	5-3207X**		
		Sierra 3500	Standard Cab; 2 Piece Driveshaft; w/ AAM 1415 Series Driveshaft	N	4,6	5-3207X**		
	2001-2006	Sierra 3500	1 Piece Driveshaft	L	2,3	5-3147X*	5-795X**	15-3147X
Sierra 3500		Cab & Chassis; Crew Cab; Extended Cab; 1 Piece Driveshaft; w/ Spicer 1410 Series Driveshaft; w/ Aluminum Yoke	L	4,5		5-3616X		
Sierra 3500		Cab & Chassis; Crew Cab; Extended Cab; 1 Piece Driveshaft; w/ Spicer 1410 Series Driveshaft; w/ Steel Yoke	L	4,5	5-160X*	5-1410-1X* 5-1410X**	15-160X	
Sierra 3500		Cab & Chassis; Crew Cab; Extended Cab; Standard Cab; 1 Piece Driveshaft; w/ Spicer 1480 Series Driveshaft	L	4,5	5-188X*	SPL55-1X* SPL55X**	15-188X	
Sierra 3500		2 Piece Driveshaft	N	2,3	5-3147X*	5-795X**	15-3147X	
Sierra 3500		Cab & Chassis; Crew Cab; Extended Cab; 2 Piece Driveshaft; w/ Spicer 1410 Series Driveshaft; w/ Aluminum Yoke	N	4,5,6		5-3616X		
Sierra 3500		Cab & Chassis; Crew Cab; Extended Cab; 2 Piece Driveshaft; w/ Spicer 1410 Series Driveshaft; w/ Steel Yoke	N	4,5,6	5-160X*	5-1410-1X* 5-1410X**	15-160X	

\* GREASEABLE \*\* NON-GREASEABLE



GMC (Cont'd)

Year	Model	Description	Fig.	Location	Spicer Part #	SPL Part #	SVL Part #
2001-2006	Sierra 3500	Cab & Chassis; Crew Cab; Extended Cab; Standard Cab; 2 Piece Driveshaft; w/ Spicer 1480 Series Driveshaft	N	4,6	5-188X*	SPL55-1X* SPL55X**	15-188X
	Sierra 3500	Cab & Chassis; Crew Cab; Extended Cab; 2 Piece Driveshaft; w/ Spicer 1480 Series Driveshaft	N	5	5-188X*	SPL55-1X* SPL55X**	15-188X
2007	Sierra 3500 Classic	1 Piece Driveshaft	L	2,3	5-3147X*	5-795X**	15-3147X
	Sierra 3500 Classic	Cab & Chassis; 137.0" WB; 161.5" WB; Auto Trans; 4 Speed; 1 Piece Driveshaft; w/ Aluminum Yoke	L	4,5		5-3616X	
	Sierra 3500 Classic	Cab & Chassis; 137.0" WB; 161.5" WB; Auto Trans; 4 Speed; 1 Piece Driveshaft; w/ Steel Yoke	L	4,5	5-160X*	5-1410-1X* 5-1410X**	15-160X
	Sierra 3500 Classic	Cab & Chassis; 137.0" WB; 161.5" WB; Auto Trans; 6 Speed; 1 Piece Driveshaft	L	4,5	5-188X*	SPL55-1X* SPL55X**	15-188X
	Sierra 3500 Classic	Cab & Chassis; 137.0" WB; 161.5" WB; Standard Trans; 5 Speed; 1 Piece Driveshaft; w/ Aluminum Yoke	L	4,5		5-3616X	
	Sierra 3500 Classic	Cab & Chassis; 137.0" WB; 161.5" WB; Standard Trans; 5 Speed; 1 Piece Driveshaft; w/ Steel Yoke	L	4,5	5-160X*	5-1410-1X* 5-1410X**	15-160X
	Sierra 3500 Classic	Crew Cab; Extended Cab; 1 Piece Driveshaft; w/ Aluminum Yoke	L	4,5		5-3616X	
	Sierra 3500 Classic	Crew Cab; Extended Cab; 1 Piece Driveshaft; w/ Steel Yoke	L	4,5	5-160X*	5-1410-1X* 5-1410X**	15-160X
	Sierra 3500 Classic	Standard Cab; Standard Trans; 5 Speed; 1 Piece Driveshaft	L	4,5	5-3207X**		
	Sierra 3500 Classic	2 Piece Driveshaft	N	2,3	5-3147X*	5-795X**	15-3147X
	Sierra 3500 Classic	Cab & Chassis; 137.0" WB; 161.5" WB; Auto Trans; 4 Speed; 2 Piece Driveshaft; w/ Aluminum Yoke	N	4,5,6		5-3616X	
	Sierra 3500 Classic	Cab & Chassis; 137.0" WB; 161.5" WB; Auto Trans; 4 Speed; 2 Piece Driveshaft; w/ Steel Yoke	N	4,5,6	5-160X*	5-1410-1X* 5-1410X**	15-160X
	Sierra 3500 Classic	Cab & Chassis; 137.0" WB; 161.5" WB; Auto Trans; 6 Speed; 2 Piece Driveshaft	N	4,5,6	5-188X*	SPL55-1X* SPL55X**	15-188X
	Sierra 3500 Classic	Cab & Chassis; 137.0" WB; 161.5" WB; Standard Trans; 5 Speed; 2 Piece Driveshaft; w/ Aluminum Yoke	N	4,5,6		5-3616X	
	Sierra 3500 Classic	Cab & Chassis; 137.0" WB; 161.5" WB; Standard Trans; 5 Speed; 2 Piece Driveshaft; w/ Steel Yoke	N	4,5,6	5-160X*	5-1410-1X* 5-1410X**	15-160X
	Sierra 3500 Classic	Crew Cab; Extended Cab; 2 Piece Driveshaft; w/ Aluminum Yoke	N	4,5,6		5-3616X	
	Sierra 3500 Classic	Crew Cab; Extended Cab; 2 Piece Driveshaft; w/ Steel Yoke	N	4,5,6	5-160X*	5-1410-1X* 5-1410X**	15-160X
	Sierra 3500 Classic	Standard Cab; Standard Trans; 5 Speed; 2 Piece Driveshaft	N	4,6	5-3207X**		
2007-2013	Sierra 3500 HD	1 Piece Driveshaft	L	4,5	5-3206X		
	Sierra 3500 HD	2 Piece Driveshaft	N	4,5,6	5-3206X		
2007-2016	Sierra 3500 HD	1 Piece Driveshaft	L	2,3	5-3147X*	5-795X**	15-3147X
	Sierra 3500 HD	2 Piece Driveshaft	N	2,3	5-3147X*	5-795X**	15-3147X
2014	Sierra 3500 HD	V8 6.0L; WT; 133.6in WB; 1 Piece Driveshaft	L	4,5	5-188X*	SPL55-1X* SPL55X**	15-188X

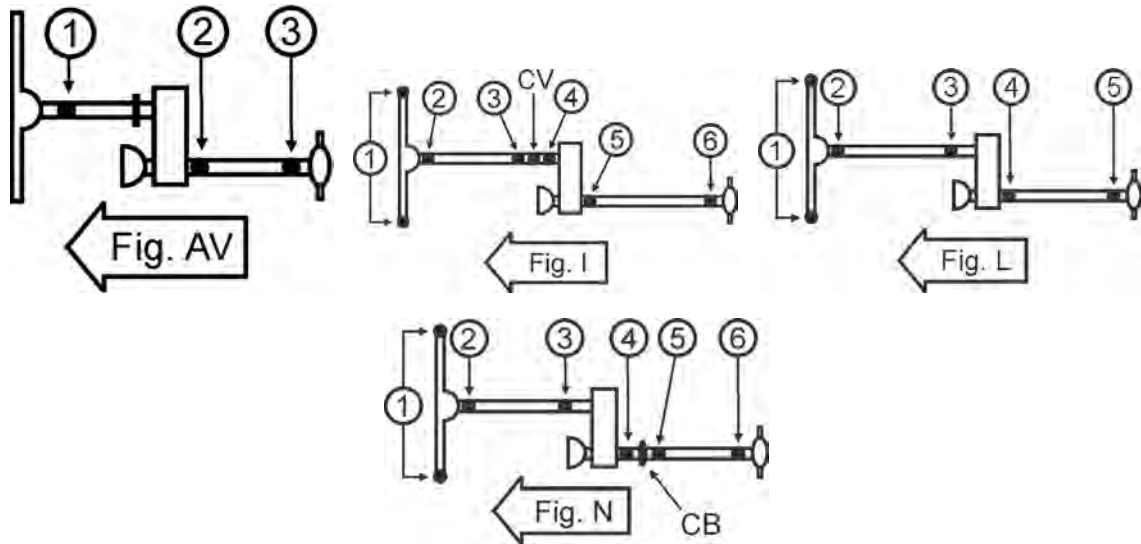
\* GREASEABLE \*\* NON-GREASEABLE

4  
W  
D

**GMC (Cont'd)**

Year	Model	Description	Fig.	Location	Spicer Part #	SPL Part #	SVL Part #	
2014	Sierra 3500 HD	V8 6.6L; WT; 133.6in WB; 1 Piece Driveshaft	L	4,5	5-188X*	SPL55-1X* SPL55X**	15-188X	
	Sierra 3500 HD	V8 6.0L; WT; 137.5in WB; 2 Piece Driveshaft	N	5,6	5-188X*	SPL55-1X* SPL55X**	15-188X	
	Sierra 3500 HD	V8 6.0L; WT; 153.7in WB; 2 Piece Driveshaft	N	5,6	5-188X*	SPL55-1X* SPL55X**	15-188X	
	Sierra 3500 HD	V8 6.0L; WT; 162.0in WB; 2 Piece Driveshaft	N	5,6	5-188X*	SPL55-1X* SPL55X**	15-188X	
	Sierra 3500 HD	V8 6.0L; WT; 167.7in WB; 2 Piece Driveshaft	N	5,6	5-188X*	SPL55-1X* SPL55X**	15-188X	
	Sierra 3500 HD	V8 6.0L; WT; 171.5in WB; 2 Piece Driveshaft	N	5,6	5-188X*	SPL55-1X* SPL55X**	15-188X	
	Sierra 3500 HD	V8 6.6L; WT; 137.5in WB; 2 Piece Driveshaft	N	5,6	5-188X*	SPL55-1X* SPL55X**	15-188X	
	Sierra 3500 HD	V8 6.6L; WT; 153.7in WB; 2 Piece Driveshaft	N	5,6	5-188X*	SPL55-1X* SPL55X**	15-188X	
	Sierra 3500 HD	V8 6.6L; WT; 162.0in WB; 2 Piece Driveshaft	N	5,6	5-188X*	SPL55-1X* SPL55X**	15-188X	
	Sierra 3500 HD	V8 6.6L; WT; 167.7in WB; 2 Piece Driveshaft	N	5,6	5-188X*	SPL55-1X* SPL55X**	15-188X	
	Sierra 3500 HD	V8 6.6L; WT; 171.5in WB; 2 Piece Driveshaft	N	5,6	5-188X*	SPL55-1X* SPL55X**	15-188X	
2014-2016	Sierra 3500 HD	V8 6.0L; SLE; 133.6in WB; 1 Piece Driveshaft	L	4,5	5-188X*	SPL55-1X* SPL55X**	15-188X	
	Sierra 3500 HD	V8 6.6L; SLE; 133.6in WB; 1 Piece Driveshaft	L	4,5	5-188X*	SPL55-1X* SPL55X**	15-188X	
	Sierra 3500 HD	V8 6.0L; Denali; 2 Piece Driveshaft	N	5,6	5-188X*	SPL55-1X* SPL55X**	15-188X	
	Sierra 3500 HD	V8 6.0L; SLE; 137.5in WB; 2 Piece Driveshaft	N	5,6	5-188X*	SPL55-1X* SPL55X**	15-188X	
	Sierra 3500 HD	V8 6.0L; SLE; 153.7in WB; 2 Piece Driveshaft	N	5,6	5-188X*	SPL55-1X* SPL55X**	15-188X	
	Sierra 3500 HD	V8 6.0L; SLE; 162.0in WB; 2 Piece Driveshaft	N	5,6	5-188X*	SPL55-1X* SPL55X**	15-188X	
	Sierra 3500 HD	V8 6.0L; SLE; 167.7in WB; 2 Piece Driveshaft	N	5,6	5-188X*	SPL55-1X* SPL55X**	15-188X	
	Sierra 3500 HD	V8 6.0L; SLE; 171.5in WB; 2 Piece Driveshaft	N	5,6	5-188X*	SPL55-1X* SPL55X**	15-188X	
	Sierra 3500 HD	V8 6.0L; SLT; 2 Piece Driveshaft	N	5,6	5-188X*	SPL55-1X* SPL55X**	15-188X	
	Sierra 3500 HD	V8 6.6L; Denali; 2 Piece Driveshaft	N	5,6	5-188X*	SPL55-1X* SPL55X**	15-188X	
	Sierra 3500 HD	V8 6.6L; SLE; 137.5in WB; 2 Piece Driveshaft	N	5,6	5-188X*	SPL55-1X* SPL55X**	15-188X	
	Sierra 3500 HD	V8 6.6L; SLE; 153.7in WB; 2 Piece Driveshaft	N	5,6	5-188X*	SPL55-1X* SPL55X**	15-188X	
	Sierra 3500 HD	V8 6.6L; SLE; 162.0in WB; 2 Piece Driveshaft	N	5,6	5-188X*	SPL55-1X* SPL55X**	15-188X	
	Sierra 3500 HD	V8 6.6L; SLE; 167.7in WB; 2 Piece Driveshaft	N	5,6	5-188X*	SPL55-1X* SPL55X**	15-188X	
	Sierra 3500 HD	V8 6.6L; SLE; 171.5in WB; 2 Piece Driveshaft	N	5,6	5-188X*	SPL55-1X* SPL55X**	15-188X	
	Sierra 3500 HD	V8 6.6L; SLT; 2 Piece Driveshaft	N	5,6	5-188X*	SPL55-1X* SPL55X**	15-188X	
	2015-2016	Sierra 3500 HD	V8 6.0L; Base; 1 Piece Driveshaft	L	4,5	5-160X*	5-1410-1X* 5-1410X**	15-160X
		Sierra 3500 HD	V8 6.6L; Base; 1 Piece Driveshaft	L	4,5	5-160X*	5-1410-1X* 5-1410X**	15-160X
		Sierra 3500 HD	V8 6.0L; Base; 2 Piece Driveshaft	N	5,6	5-160X*	5-1410-1X* 5-1410X**	15-160X
Sierra 3500 HD		V8 6.0L; SLE; 158.1in WB; 2 Piece Driveshaft	N	5,6	5-188X*	SPL55-1X* SPL55X**	15-188X	
Sierra 3500 HD		V8 6.6L; Base; 2 Piece Driveshaft	N	5,6	5-160X*	5-1410-1X* 5-1410X**	15-160X	

\* GREASEABLE \*\* NON-GREASEABLE



**GMC (Cont'd)**

Year	Model	Description	Fig.	Location	Spicer Part #	SPL Part #	SVL Part #
2015-2016	Sierra 3500 HD	V8 6.6L; SLE; 158.1in WB; 2 Piece Driveshaft	N	5,6	5-188X*	SPL55-1X* SPL55X**	15-188X
1991-1993	Sonoma	w/ Press-on Slip Yoke Seal	N	2	5-153X* 5-3249X	5-1310-1X* 5-1310X**	15-153X
	Sonoma	w/ Screw-on Slip Yoke Seal	N	2	5-3213X		
	Sonoma	Extended Cab; Standard Cab	N	4,6	5-3147X*	5-795X**	15-3147X
	Sonoma	Extended Cab	N	5	5-3147X*	5-795X**	15-3147X
1994-1999	Sonoma		L	2	5-3213X		
1995-1996	Sonoma	w/ ZR2 Sport Package; w/ Aluminum Yoke	L	4		5-3614X	
	Sonoma	w/ ZR2 Sport Package; w/ Steel Yoke	L	4	5-213X*	5-1330-1X* 5-1330X**	15-213X
	Sonoma	w/o ZR2 Sport Package	L	4,5	5-3147X*	5-795X**	15-3147X
	Sonoma	w/ ZR2 Sport Package; w/ Steel Yoke	L	5	5-212X*	5-793X**	
1997-1999	Sonoma		L	4,5	5-3147X*	5-795X**	15-3147X
2000	Sonoma	1 Piece Driveshaft; Electronic Controlled Transfer Case	AV	1	5-3213X		
	Sonoma	1 Piece Driveshaft; Exc. Electronic Controlled Transfer Case	AV	1	5-3147X*	5-795X**	15-3147X
2000-2004	Sonoma	1 Piece Driveshaft	AV	2,3	5-3147X*	5-795X**	15-3147X
2001-2004	Sonoma	1 Piece Driveshaft	AV	1	5-3213X		
1991	Syclone	w/ 2.688" O.D. Yoke	I	3,4	5-443X		
	Syclone	w/ 3.469" O.D. Yoke	I	3,4	5-153X*	5-1310-1X* 5-1310X**	15-153X
	Syclone		I	5,6	5-3147X*	5-795X**	15-3147X
1992-1993	Typhoon	w/ 2.688" O.D. Yoke	I	3,4	5-443X		
	Typhoon	w/ 3.469" O.D. Yoke	I	3,4	5-153X*	5-1310-1X* 5-1310X**	15-153X
	Typhoon		I	5,6	5-3147X*	5-795X**	15-3147X
1987	V1500		I	1	5-3226X	5-760X**	
	V1500		I	2	5-153X*	5-1310-1X* 5-1310X**	15-153X
	V1500		I	3,4	5-3147X*	5-795X**	15-3147X
	V1500	w/ Inside Snap Rings	I	5,6	5-3147X*	5-795X**	15-3147X
	V1500	w/ Outside Snap Rings	I	5,6	5-178X*	5-1350-1X* 5-1350X**	15-178X
	V1500		I	1	5-3226X	5-760X**	
1987-1991	V1500 Suburban		I	2	5-153X*	5-1310-1X* 5-1310X**	15-153X
	V1500 Suburban		I	3,4	5-3147X*	5-795X**	15-3147X
	V1500 Suburban		I	1	5-3226X	5-760X**	

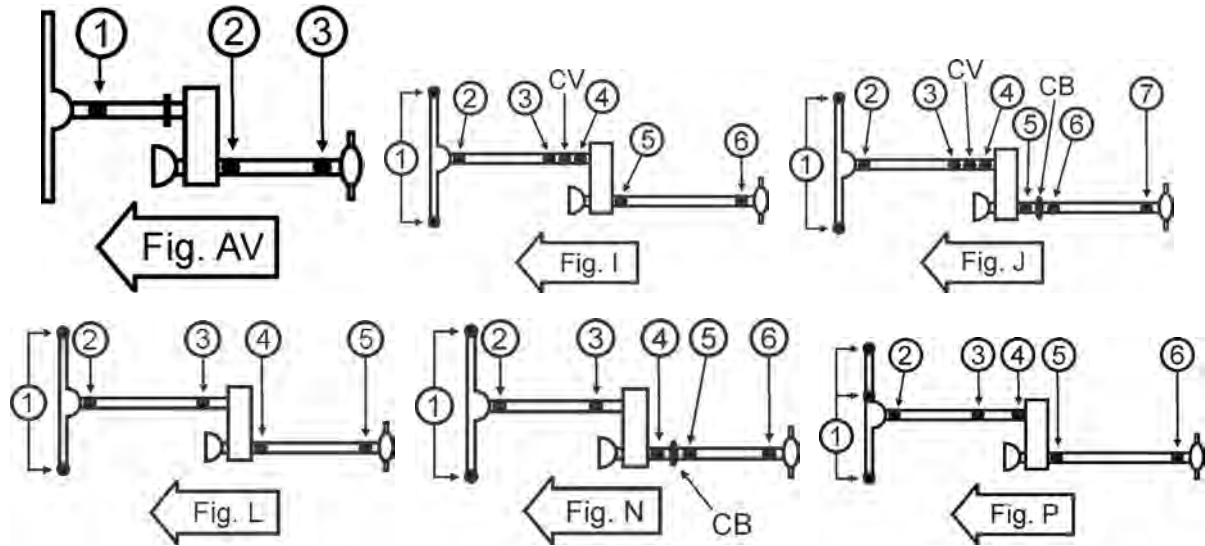
\* GREASEABLE \*\* NON-GREASEABLE

4  
W  
D

**GMC (Cont'd)**

Year	Model	Description	Fig.	Location	Spicer Part #	SPL Part #	SVL Part #
1987-1991	V1500 Suburban	w/ Inside Snap Rings	I	5,6	5-3147X*	5-795X**	15-3147X
	V1500 Suburban	w/ Outside Snap Rings	I	5,6	5-178X*	5-1350-1X* 5-1350X**	15-178X
	V1500 Suburban		I	CV	211009X		
1987	V2500	1 Piece Driveshaft	L	1	5-3226X	5-760X**	
	V2500	Standard Trans; 1 Piece Driveshaft	L	2	5-213X*	5-1330-1X* 5-1330X**	15-213X
	V2500	Auto Trans; 1 Piece Driveshaft	L	2,3	5-3147X*	5-795X**	15-3147X
	V2500	Standard Trans; 1 Piece Driveshaft	L	3	5-212X*	5-793X**	
	V2500	1 Piece Driveshaft; w/ Aluminum Shaft	L	4,5		5-3615X	
	V2500	1 Piece Driveshaft; w/ Steel Shaft	L	4,5	5-178X*	5-1350-1X* 5-1350X**	15-178X
	V2500	2 Piece Driveshaft	N	1	5-3226X	5-760X**	
	V2500	Standard Trans; 2 Piece Driveshaft	N	2	5-213X*	5-1330-1X* 5-1330X**	15-213X
	V2500	Auto Trans; 2 Piece Driveshaft	N	2,3	5-3147X*	5-795X**	15-3147X
	V2500	Standard Trans; 2 Piece Driveshaft	N	3	5-212X*	5-793X**	
	V2500	2 Piece Driveshaft	N	4,5,6	5-178X*	5-1350-1X* 5-1350X**	15-178X
	1987-1988	V2500 Suburban	Standard Trans; 1 Piece Driveshaft	L	2	5-213X*	5-1330-1X* 5-1330X**
V2500 Suburban		Auto Trans; 1 Piece Driveshaft	L	2,3	5-3147X*	5-795X**	15-3147X
V2500 Suburban		Standard Trans; 1 Piece Driveshaft	L	3	5-212X*	5-793X**	
V2500 Suburban		Standard Trans; 2 Piece Driveshaft	N	2	5-213X*	5-1330-1X* 5-1330X**	15-213X
V2500 Suburban		Auto Trans; 2 Piece Driveshaft	N	2,3	5-3147X*	5-795X**	15-3147X
V2500 Suburban		Standard Trans; 2 Piece Driveshaft	N	3	5-212X*	5-793X**	
1987-1991	V2500 Suburban	1 Piece Driveshaft	L	1	5-3226X	5-760X**	
	V2500 Suburban	1 Piece Driveshaft; w/ Aluminum Shaft	L	4,5		5-3615X	
	V2500 Suburban	1 Piece Driveshaft; w/ Steel Shaft	L	4,5	5-178X*	5-1350-1X* 5-1350X**	15-178X
	V2500 Suburban	2 Piece Driveshaft	N	1	5-3226X	5-760X**	
	V2500 Suburban	2 Piece Driveshaft	N	4,5,6	5-178X*	5-1350-1X* 5-1350X**	15-178X
1989-1991	V2500 Suburban	1 Piece Driveshaft	L	2,3	5-3147X*	5-795X**	15-3147X
	V2500 Suburban	2 Piece Driveshaft	N	2,3	5-3147X*	5-795X**	15-3147X
1987-1991	V3500	1 Piece Driveshaft	I	1		SPL55-3X** SPL55-4X*	
	V3500	1 Piece Driveshaft	I	2	5-153X*	5-1310-1X* 5-1310X**	15-153X
	V3500	1 Piece Driveshaft	I	3,4	5-3147X*	5-795X**	15-3147X
	V3500	1 Piece Driveshaft	I	5,6	5-178X*	5-1350-1X* 5-1350X**	15-178X
	V3500	1 Piece Driveshaft	I	CV	211009X		
	V3500	2 Piece Driveshaft	J	1		SPL55-3X** SPL55-4X*	
	V3500	2 Piece Driveshaft	J	2	5-153X*	5-1310-1X* 5-1310X**	15-153X
	V3500	2 Piece Driveshaft	J	3,4	5-3147X*	5-795X**	15-3147X
	V3500	2 Piece Driveshaft	J	5,6,7	5-178X*	5-1350-1X* 5-1350X**	15-178X
1992-1999	Yukon		L	2,3,4,5	5-3147X*	5-795X**	15-3147X
	Yukon	1 Piece Driveshaft	L	2,3,4,5	5-3147X*	5-795X**	15-3147X
2000-2007	Yukon	1 Piece Driveshaft	L	4,5	5-178X* 5-3147X*	5-1350-1X* 5-1350X** 5-795X**	15-178X 15-3147X
2008	Yukon	1 Piece Driveshaft	L	4,5	5-178X* 5-3147X*	5-1350-1X* 5-1350X** 5-795X**	15-178X 15-3147X
2008-2016	Yukon	1 Piece Driveshaft	L	2,3	5-3147X*	5-795X**	15-3147X
2009-2016	Yukon	1 Piece Driveshaft	L	4,5	5-178X*	5-1350-1X* 5-1350X**	15-178X
2015-2016	Yukon XL	1 Piece Driveshaft	L	2,3	5-3147X*	5-795X**	15-3147X

\* GREASEABLE \*\* NON-GREASEABLE



**GMC (Cont'd)**

Year	Model	Description	Fig.	Location	Spicer Part #	SPL Part #	SVL Part #
2015-2016	Yukon XL	1 Piece Driveshaft	L	4,5	5-160X*	5-1410-1X* 5-1410X**	15-160X
2000-2008	Yukon XL 1500	1 Piece Driveshaft	L	2,3,4,5	5-3147X*	5-795X**	15-3147X
2007-2008	Yukon XL 1500	V8 5.3L; 1 Piece Driveshaft	L	4,5	5-3147X*	5-795X**	15-3147X
	Yukon XL 1500	V8 6.0L; 1 Piece Driveshaft	L	4,5	5-178X*	5-1350-1X* 5-1350X**	15-178X
2009-2014	Yukon XL 1500	1 Piece Driveshaft	L	2,3	5-3147X*	5-795X**	15-3147X
	Yukon XL 1500	1 Piece Driveshaft	L	4,5	5-178X*	5-1350-1X* 5-1350X**	15-178X
2000-2013	Yukon XL 2500	1 Piece Driveshaft	L	2,3	5-3147X*	5-795X**	15-3147X
2001-2006	Yukon XL 2500	V8 6.0L; 1 Piece Driveshaft	L	4,5	5-178X*	5-1350-1X* 5-1350X**	15-178X
	Yukon XL 2500	V8 8.1L; 1 Piece Driveshaft	L	4,5	5-160X*	5-1410-1X* 5-1410X**	15-160X
2007	Yukon XL 2500	1 Piece Driveshaft	L	4,5	5-178X*	5-1350-1X* 5-1350X**	15-178X
2008-2013	Yukon XL 2500	1 Piece Driveshaft	L	4,5	5-160X*	5-1410-1X* 5-1410X**	15-160X

**Honda**

Year	Model	Description	Fig.	Location	Spicer Part #	SPL Part #	SVL Part #
1994-1997	Passport		N	2,3	5-1515X		
	Passport		N	4,5,6	5-153X*	5-1310-1X* 5-1310X**	15-153X
1998-2002	Passport	2 Piece Driveshaft	L	2,3,4	5-153X*	5-1310-1X* 5-1310X**	15-153X
	Passport	1 Piece Driveshaft	L	5	5-153X*	5-1310-1X* 5-1310X**	15-153X

**Hummer**

Year	Model	Description	Fig.	Location	Spicer Part #	SPL Part #	SVL Part #
2006	H1	1 Piece Driveshaft	P	2,3,4	5-213X*	5-1330-1X* 5-1330X**	15-213X
	H1	1 Piece Driveshaft	P	5,6	5-178X*	5-1350-1X* 5-1350X**	15-178X
2003-2009	H2	1 Piece Driveshaft	L	2,3	5-3147X*	5-795X**	15-3147X
	H2	1 Piece Driveshaft	L	4,5	5-178X*	5-1350-1X* 5-1350X**	15-178X
2006-2010	H3	1 Piece Driveshaft	AV	1	5-3213X		

\* GREASEABLE \*\* NON-GREASEABLE

**Hummer (Cont'd)**

Year	Model	Description	Fig.	Location	Spicer Part #	SPL Part #	SVL Part #
2006-2010	H3	1 Piece Driveshaft	AV	2,3	5-178X*	5-1350-1X* 5-1350X**	15-178X
2009-2010	H3T	1 Piece Driveshaft	AV	1	5-3213X		
	H3T	1 Piece Driveshaft	AV	2,3	5-178X*	5-1350-1X* 5-1350X**	15-178X

**Infiniti**

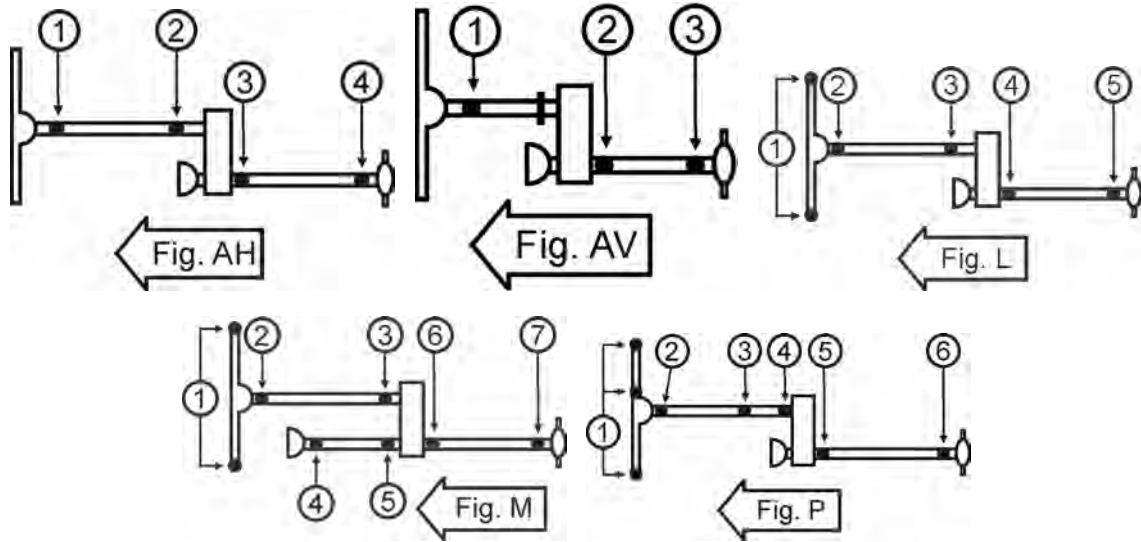
Year	Model	Description	Fig.	Location	Spicer Part #	SPL Part #	SVL Part #
1997-1999	QX4		L	2,3	5-3218X		
	QX4		L	4,5	5-1505X		
2000-2003	QX4	1 Piece Driveshaft	L	2	5-3218X		
	QX4	1 Piece Driveshaft	L	4,5	5-1505X		
2004-2006	QX56	1 Piece Driveshaft	P	5	5-178X*	5-1350-1X* 5-1350X**	15-178X
2010	QX56	1 Piece Driveshaft	P	2	5-153X*	5-1310-1X* 5-1310X**	15-153X
	QX56	1 Piece Driveshaft	P	5	5-160X*	5-1410-1X* 5-1410X**	15-160X

**International**

Year	Model	Description	Fig.	Location	Spicer Part #	SPL Part #	SVL Part #
1966	1000A	w/ Inside Snap Rings	M	1	5-260X**		15-260X
	1000A	w/ Outside Snap Rings	M	1	5-178X*	5-1350-1X* 5-1350X**	15-178X
	1000A		M	2,3,4,5,6,7	5-153X*	5-1310-1X* 5-1310X**	15-153X
1967	1000B	w/ Inside Snap Rings	M	1	5-260X**		15-260X
	1000B	w/ Outside Snap Rings	M	1	5-178X*	5-1350-1X* 5-1350X**	15-178X
	1000B		M	2,3,4,5,6,7	5-153X*	5-1310-1X* 5-1310X**	15-153X
1968	1000C	w/ Inside Snap Rings	M	1	5-260X**		15-260X
	1000C	w/ Outside Snap Rings	M	1	5-178X*	5-1350-1X* 5-1350X**	15-178X
	1000C		M	2,3,4,5,6,7	5-153X*	5-1310-1X* 5-1310X**	15-153X
1969	1000D	w/ Inside Snap Rings	M	1	5-260X**		15-260X
	1000D	w/ Outside Snap Rings	M	1	5-178X*	5-1350-1X* 5-1350X**	15-178X
1969-1970	1000D		M	2,3,4,5,6,7	5-153X*	5-1310-1X* 5-1310X**	15-153X
1970	1000D		M	1	5-260X**		15-260X
1966	1200A	w/ Inside Snap Rings	M	1	5-260X**		15-260X
	1200A	w/ Outside Snap Rings	M	1	5-178X*	5-1350-1X* 5-1350X**	15-178X
	1200A		M	2,3,4,5,6,7	5-153X*	5-1310-1X* 5-1310X**	15-153X
1967	1200B	w/ Inside Snap Rings	M	1	5-260X**		15-260X
	1200B	w/ Outside Snap Rings	M	1	5-178X*	5-1350-1X* 5-1350X**	15-178X
	1200B		M	2,3,4,5,6,7	5-153X*	5-1310-1X* 5-1310X**	15-153X
1968	1200C	w/ Inside Snap Rings	M	1	5-260X**		15-260X
	1200C	w/ Outside Snap Rings	M	1	5-178X*	5-1350-1X* 5-1350X**	15-178X
	1200C		M	2,3,4,5,6,7	5-153X*	5-1310-1X* 5-1310X**	15-153X
1969	1200D	w/ Inside Snap Rings	M	1	5-260X**		15-260X
	1200D	w/ Outside Snap Rings	M	1	5-178X*	5-1350-1X* 5-1350X**	15-178X
1969-1970	1200D		M	2,3,4,5,6,7	5-153X*	5-1310-1X* 5-1310X**	15-153X

\* GREASEABLE \*\* NON-GREASEABLE





**International (Cont'd)**

Year	Model	Description	Fig.	Location	Spicer Part #	SPL Part #	SVL Part #
1970	1200D		M	1	5-260X**		15-260X
1971-1973	1210		M	1	5-260X**		15-260X
	1210		M	2,3,4,5,6,7	5-153X*	5-1310-1X* 5-1310X**	15-153X
1966	1300A		M	1		SPL55-3X** SPL55-4X*	
	1300A		M	2,3,4,5,6,7	5-153X*	5-1310-1X* 5-1310X**	15-153X
1967	1300B		M	1		SPL55-3X** SPL55-4X*	
	1300B		M	2,3,4,5,6,7	5-153X*	5-1310-1X* 5-1310X**	15-153X
1968	1300C		M	1		SPL55-3X** SPL55-4X*	
	1300C		M	2,3,4,5,6,7	5-153X*	5-1310-1X* 5-1310X**	15-153X
1969-1970	1300D		M	1		SPL55-3X** SPL55-4X*	
	1300D		M	2,3,4,5,6,7	5-153X*	5-1310-1X* 5-1310X**	15-153X
1966-1967	900A	w/ Inside Snap Rings	M	1	5-260X**		15-260X
	900A	w/ Outside Snap Rings	M	1	5-178X*	5-1350-1X* 5-1350X**	15-178X
	900A		M	2,3,4,5,6,7	5-153X*	5-1310-1X* 5-1310X**	15-153X
1961-1966	Scout		L	2,3,4,5	5-2140X		
1961-1971	Scout		L	1	5-260X**		15-260X
1967-1971	Scout		L	2,3,4,5	5-153X*	5-1310-1X* 5-1310X**	15-153X
1971-1973	Scout II		L	1	5-260X**		15-260X
1971-1980	Scout II		L	2,3,4,5	5-153X*	5-1310-1X* 5-1310X**	15-153X
1974-1980	Scout II		L	1	5-3226X	5-760X**	

**ISUZU**

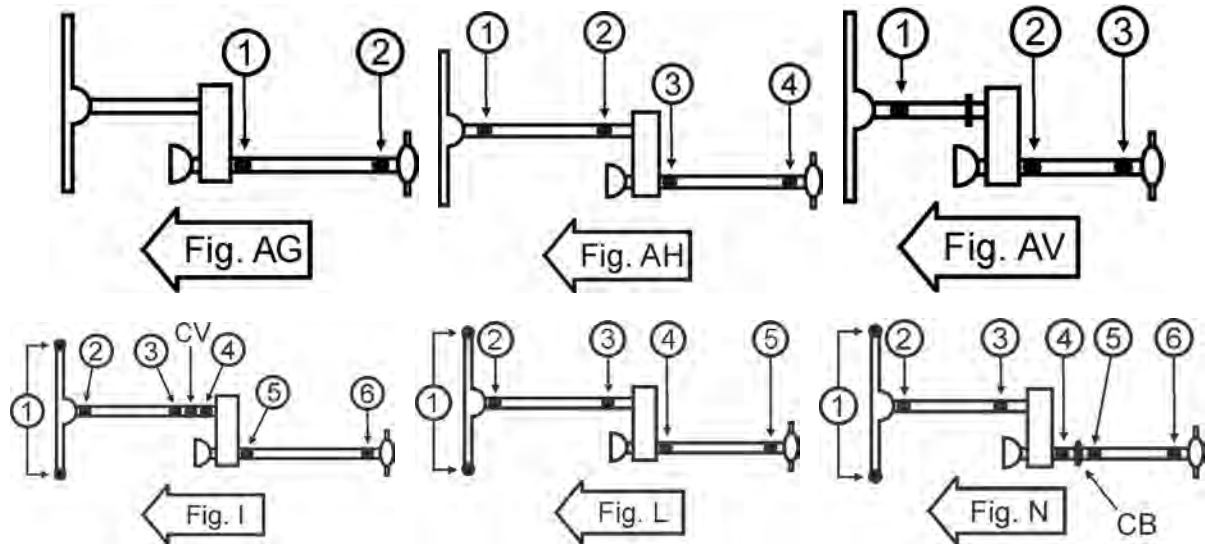
Year	Model	Description	Fig.	Location	Spicer Part #	SPL Part #	SVL Part #
1989-1994	Amigo		AH	1,2,3,4	5-1515X		
1998-1999	Amigo	w/ Aluminum Yoke	AH	1,2,3,4		5-3613X	

\* GREASEABLE \*\* NON-GREASEABLE

**Isuzu (Cont'd)**

Year	Model	Description	Fig.	Location	Spicer Part #	SPL Part #	SVL Part #
1998-1999	Amigo	w/ Steel Yoke	AH	1,2,3,4	5-153X*	5-1310-1X* 5-1310X**	15-153X
2000	Amigo	Auto Trans; 1 Piece Driveshaft	L	2,3	5-153X*	5-1310-1X* 5-1310X**	15-153X
	Amigo	Standard Trans; 1 Piece Driveshaft	L	2,3	5-153X*	5-1310-1X* 5-1310X**	15-153X
	Amigo	1 Piece Driveshaft	L	4,5	5-153X*	5-1310-1X* 5-1310X**	15-153X
2003-2007	Ascender	1 Piece Driveshaft	AV	1	5-3213X		
	Ascender	1 Piece Driveshaft	AV	2,3	5-3147X*	5-795X**	15-3147X
2008	Ascender	1 Piece Driveshaft	AV	1,2,3	5-3147X*	5-795X**	15-3147X
2002-2004	Axiom	1 Piece Driveshaft	AG	1,2	5-153X*	5-1310-1X* 5-1310X**	15-153X
1998-1999	Hombre		AH	1	5-3213X		
	Hombre		AH	3,4	5-3147X*	5-795X**	15-3147X
2000	Hombre	1 Piece Driveshaft	AV	1	5-3213X		
	Hombre	1 Piece Driveshaft	AV	2,3	5-3147X*	5-795X**	15-3147X
2006	i-350	1 Piece Driveshaft	AV	1	5-153X*	5-1310-1X* 5-1310X**	15-153X
	i-350	1 Piece Driveshaft	AV	2	5-213X*	5-1330-1X* 5-1330X**	15-213X
	i-350	1 Piece Driveshaft	AV	3	5-212X*	5-793X**	
2007-2008	i-370	1 Piece Driveshaft	AV	1	5-153X*	5-1310-1X* 5-1310X**	15-153X
	i-370	1 Piece Driveshaft	AV	2	5-213X*	5-1330-1X* 5-1330X**	15-213X
	i-370	1 Piece Driveshaft	AV	3	5-212X*	5-793X**	
1981-1985	Pickup		N	2,4,5,6	5-101X		
1986-1987	Pickup		N	2,4,5	5-101X		
1988	Pickup	From 12/87	N	2	5-1515X		
	Pickup	To 11/87	N	2	5-101X		
	Pickup		N	3,4,5,6	5-1515X		
1989	Pickup		N	2,3,4,5,6	5-1515X		
1990	Pickup	To 10/90	N	2,3,4,5,6	5-1515X		
1991	Pickup	U.S.A. Built; VIN Starts 4S1; From 11/90	N	2,3	5-1515X		
	Pickup	Japan Built; VIN Starts JAA; From 11/90	N	2,3,4,5,6	5-1515X		
1992-1995	Pickup	U.S.A. Built; VIN Starts 4S1	N	2,3	5-1515X		
	Pickup	Japan Built; VIN Starts JAA	N	2,3,4,5,6	5-1515X		
1991-1997	Rodeo		N	2,3	5-1515X		
	Rodeo		N	4,5,6	5-153X*	5-1310-1X* 5-1310X**	15-153X
1998-1999	Rodeo	w/ Aluminum Yoke	L	2,3,4,5		5-3613X	
	Rodeo	w/ Steel Yoke	L	2,3,4,5	5-153X*	5-1310-1X* 5-1310X**	15-153X
2000-2002	Rodeo	Auto Trans; 1 Piece Driveshaft	L	2,3	5-153X*	5-1310-1X* 5-1310X**	15-153X
	Rodeo	Standard Trans; 1 Piece Driveshaft	L	2,3	5-153X*	5-1310-1X* 5-1310X**	15-153X
	Rodeo	1 Piece Driveshaft	L	4,5	5-153X*	5-1310-1X* 5-1310X**	15-153X
2003-2004	Rodeo	Auto Trans; 1 Piece Driveshaft	L	2,3,4,5	5-153X*	5-1310-1X* 5-1310X**	15-153X
	Rodeo	Standard Trans; 1 Piece Driveshaft	L	2,3,4,5	5-153X*	5-1310-1X* 5-1310X**	15-153X
2001-2002	Rodeo Sport	Auto Trans; 1 Piece Driveshaft	L	2,3	5-153X*	5-1310-1X* 5-1310X**	15-153X
	Rodeo Sport	Standard Trans; 1 Piece Driveshaft	L	2,3	5-153X*	5-1310-1X* 5-1310X**	15-153X
	Rodeo Sport	1 Piece Driveshaft	L	4,5	5-153X*	5-1310-1X* 5-1310X**	15-153X
2003	Rodeo Sport	Auto Trans; 1 Piece Driveshaft	L	2,3,4,5	5-153X*	5-1310-1X* 5-1310X**	15-153X

\* GREASEABLE \*\* NON-GREASEABLE



Isuzu (Cont'd)

Year	Model	Description	Fig.	Location	Spicer Part #	SPL Part #	SVL Part #
2003	Rodeo Sport	Standard Trans; 1 Piece Driveshaft	L	2,3,4,5	5-153X*	5-1310-1X* 5-1310X**	15-153X
1984-1986	Trooper		N	2	5-101X		
	Trooper		N	3	5-1515X		
	Trooper		N	4,5,6	5-101X		
1987	Trooper	1 Piece Driveshaft; From 7/87	L	2,4,5	5-1515X		
	Trooper	1 Piece Driveshaft; To 6/87	L	2,4,5	5-101X		
	Trooper	1 Piece Driveshaft	L	3	5-1515X		
	Trooper	2 Piece Driveshaft; From 7/87	N	2,4,5,6	5-1515X		
	Trooper	2 Piece Driveshaft; To 6/87	N	2,4,5,6	5-101X		
	Trooper	2 Piece Driveshaft	N	3	5-1515X		
1988-1997	Trooper	1 Piece Driveshaft	L	2,3,4,5	5-1515X		
	Trooper	2 Piece Driveshaft	N	2,3,4,5,6	5-1515X		
1998-1999	Trooper	w/o Torque on Demand	L	2,3	5-1515X		
	Trooper		L	4,5	5-3259-1X		
2000-2002	Trooper	1 Piece Driveshaft; Torque On Demand	AG	1,2	5-3259-1X		
	Trooper	1 Piece Driveshaft; Exc. Torque On Demand	L	2,3	5-1515X		
	Trooper	1 Piece Driveshaft; Exc. Torque On Demand	L	4,5	5-3259-1X		
2001	VehiCROSS		L	4,5	5-1515X		

4  
W  
D

Jeep

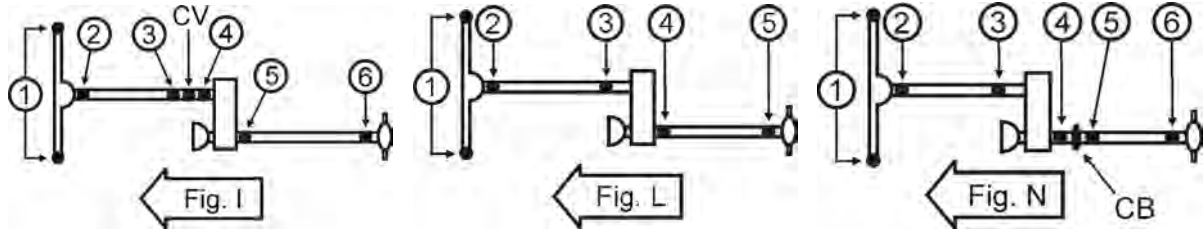
Year	Model	Description	Fig.	Location	Spicer Part #	SPL Part #	SVL Part #
1974-1980	Cherokee	Hydra-Matic Trans	I	5	5-153X*	5-1310-1X* 5-1310X**	15-153X
	Cherokee	Auto Trans	I	6	5-153X*		
	Cherokee	Hydra-Matic Trans	I	6		5-1310-1X* 5-1310X**	15-153X
	Cherokee	Standard Trans	I	6	5-3228X	5-789X	
1981	Cherokee		I	2,3,4,5	5-153X*	5-1310-1X* 5-1310X**	15-153X
1982-1983	Cherokee		I	2,3,4,5,6	5-153X*	5-1310-1X* 5-1310X**	15-153X
1984	Cherokee	1.062" Cup Dia.	L	1	5-260X**		15-260X
	Cherokee	1.188" Cup Dia.	L	1	5-3226X	5-760X**	
	Cherokee		L	2,3,4,5	5-153X*	5-1310-1X* 5-1310X**	15-153X
1985-1993	Cherokee	1.062" Cup Dia.; w/ CV Front Driveshaft	I	1	5-260X**		15-260X
	Cherokee	1.188" Cup Dia.; w/ CV Front Driveshaft	I	1	5-3226X	5-760X**	

\* GREASEABLE \*\* NON-GREASEABLE

**Jeep (Cont'd)**

Year	Model	Description	Fig.	Location	Spicer Part #	SPL Part #	SVL Part #
1985-1993	Cherokee	w/ CV Front Driveshaft	I	2,3,4,5,6	5-153X*	5-1310-1X* 5-1310X**	15-153X
	Cherokee	1.062" Cup Dia.; w/o CV Front Driveshaft	L	1	5-260X**		15-260X
	Cherokee	1.188" Cup Dia.; w/o CV Front Driveshaft	L	1	5-3226X	5-760X**	
	Cherokee	w/o CV Front Driveshaft	L	2,3,4,5	5-153X*	5-1310-1X* 5-1310X**	15-153X
1994	Cherokee	1.062" Cup Dia.	I	1	5-260X**		15-260X
	Cherokee	1.188" Cup Dia.	I	1	5-3226X	5-760X**	
1994-1998	Cherokee		I	2,3,4	5-153X*	5-1310-1X* 5-1310X**	15-153X
	Cherokee	w/ Inside & Outside Snap Rings	I	5,6		5-788X	15-353X
	Cherokee	w/ Inside Snap Rings; w/ 7290 Series Rear Driveshaft	I	5,6	5-1309X	5-811X	
	Cherokee	w/ Outside Snap Rings	I	5,6	5-153X*	5-1310-1X* 5-1310X**	15-153X
1995-1999	Cherokee		I	1	5-3226X	5-760X**	
1999	Cherokee		I	2,3,4,6	5-153X*	5-1310-1X* 5-1310X**	15-153X
	Cherokee	Auto Trans	I	5	5-153X*	5-1310-1X* 5-1310X**	15-153X
	Cherokee	Standard Trans	I	5	5-213X*	5-1330-1X* 5-1330X**	15-213X
2000-2001	Cherokee	1 Piece Driveshaft	I	1	5-3226X	5-760X**	
	Cherokee	1 Piece Driveshaft	I	2,3,4	5-153X*	5-1310-1X* 5-1310X**	15-153X
	Cherokee	Standard Trans; 1 Piece Driveshaft; Dana Axle	I	5	5-213X*	5-1330-1X* 5-1330X**	15-213X
	Cherokee	Auto Trans; 1 Piece Driveshaft	I	5,6	5-153X*	5-1310-1X* 5-1310X**	15-153X
	Cherokee	Standard Trans; 1 Piece Driveshaft; Exc. Dana Axle	I	5,6	5-153X*	5-1310-1X* 5-1310X**	15-153X
	Cherokee	Standard Trans; 1 Piece Driveshaft; Dana Axle	I	6	5-153X*	5-1310-1X* 5-1310X**	15-153X
1959-1966	CJ5	w/ Outside Snap Rings	N	2,3,4,5,6	5-153X*	5-1310-1X* 5-1310X**	15-153X
1963-1966	CJ5		N	1	5-260X**		15-260X
1967-1978	CJ5		L	1	5-260X**		15-260X
	CJ5		L	2,3,4,5	5-153X*	5-1310-1X* 5-1310X**	15-153X
1979-1983	CJ5	w/ CV Front Driveshaft	I	1	5-260X**		15-260X
	CJ5	w/ CV Front Driveshaft	I	2,3,4,5,6	5-153X*	5-1310-1X* 5-1310X**	15-153X
	CJ5	w/o CV Front Driveshaft	L	1	5-260X**		15-260X
	CJ5	w/o CV Front Driveshaft	L	2,3,4,5	5-153X*	5-1310-1X* 5-1310X**	15-153X
1959-1966	CJ6	w/ Outside Snap Rings	N	2,3,4,5,6	5-153X*	5-1310-1X* 5-1310X**	15-153X
1963-1966	CJ6		N	1	5-260X**		15-260X
1967-1975	CJ6		L	1	5-260X**		15-260X
	CJ6		L	2,3,4,5	5-153X*	5-1310-1X* 5-1310X**	15-153X
1976-1978	CJ7		L	1	5-260X**		15-260X
	CJ7		L	2,3,4,5	5-153X*	5-1310-1X* 5-1310X**	15-153X
1979-1986	CJ7	w/ CV Front Driveshaft	I	1	5-260X**		15-260X
	CJ7	w/ CV Front Driveshaft	I	2,3,4,5,6	5-153X*	5-1310-1X* 5-1310X**	15-153X
	CJ7	w/o CV Front Driveshaft	L	1	5-260X**		15-260X
	CJ7	w/o CV Front Driveshaft	L	2,3,4,5	5-153X*	5-1310-1X* 5-1310X**	15-153X
1986-1987	Comanche	w/ CV Front Driveshaft; w/ Part Time 4WD	I	1	5-260X**		15-260X
	Comanche	w/ CV Front Driveshaft	I	2,3,4,5,6	5-153X*	5-1310-1X* 5-1310X**	15-153X

\* GREASEABLE \*\* NON-GREASEABLE



**Jeep (Cont'd)**

Year	Model	Description	Fig.	Location	Spicer Part #	SPL Part #	SVL Part #
1986-1987	Comanche	w/o CV Front Driveshaft; w/ Part Time 4WD	L	1	5-260X**		15-260X
	Comanche	w/o CV Front Driveshaft	L	2,3,4,5	5-153X*	5-1310-1X* 5-1310X**	15-153X
1988-1992	Comanche	w/ Part Time 4WD	I	1	5-260X**		15-260X
	Comanche		I	2,3,4,5,6	5-153X*	5-1310-1X* 5-1310X**	15-153X
1967-1969	Commando		L	2,3	5-248X		
	Commando		L	4,5	5-153X*	5-1310-1X* 5-1310X**	15-153X
1967-1973	Commando		L	1	5-260X**		15-260X
1970-1973	Commando		L	2,3,4,5	5-153X*	5-1310-1X* 5-1310X**	15-153X
1963-1967	Gladiator		L	1	5-260X**		15-260X
	Gladiator		L	2,3,4,5	5-153X*	5-1310-1X* 5-1310X**	15-153X
1968-1969	Gladiator	w/ CV Front Driveshaft	I	1	5-260X**		15-260X
	Gladiator	w/ CV Front Driveshaft	I	2	5-2140X		
	Gladiator	w/ CV Front Driveshaft; Front half of double cardon	I	3,4	5-3219-1X		
	Gladiator	w/ CV Front Driveshaft; Rear half of double cardon	I	3,4	5-3247X		
	Gladiator	w/ CV Front Driveshaft	I	5,6	5-153X*	5-1310-1X* 5-1310X**	15-153X
	Gladiator	w/o CV Front Driveshaft	L	1	5-260X**		15-260X
	Gladiator	w/o CV Front Driveshaft	L	2,3,4,5	5-153X*	5-1310-1X* 5-1310X**	15-153X
1993	Grand Cherokee	w/ Part Time 4WD	I	1	5-260X**		15-260X
1994-1998	Grand Cherokee	2 Inside & 2 Outside Snap Rings	I	1	5-3226X	5-760X**	
	Grand Cherokee	4 Inside Snap Rings; w/ 7290 Series Driveshaft	I	1	5-3226X	5-760X**	
	Grand Cherokee	4 Outside Snap Rings	I	1	5-3226X	5-760X**	
	Grand Cherokee	2 Inside & 2 Outside Snap Rings	I	2,3,4	5-153X*	5-1310-1X* 5-1310X**	15-153X
	Grand Cherokee	4 Inside Snap Rings; w/ 7290 Series Driveshaft	I	2,3,4	5-153X*	5-1310-1X* 5-1310X**	15-153X
	Grand Cherokee	4 Outside Snap Rings	I	2,3,4,5,6	5-153X*	5-1310-1X* 5-1310X**	15-153X
	Grand Cherokee	2 Inside & 2 Outside Snap Rings	I	5,6		5-788X	15-353X
1999	Grand Cherokee	4 Inside Snap Rings; w/ 7290 Series Driveshaft	I	5,6	5-1309X	5-811X	
	Grand Cherokee		I	1	5-3226X	5-760X**	
	Grand Cherokee		I	2,3,4,5,6	5-153X*	5-1310-1X* 5-1310X**	15-153X

\* GREASEABLE \*\* NON-GREASEABLE

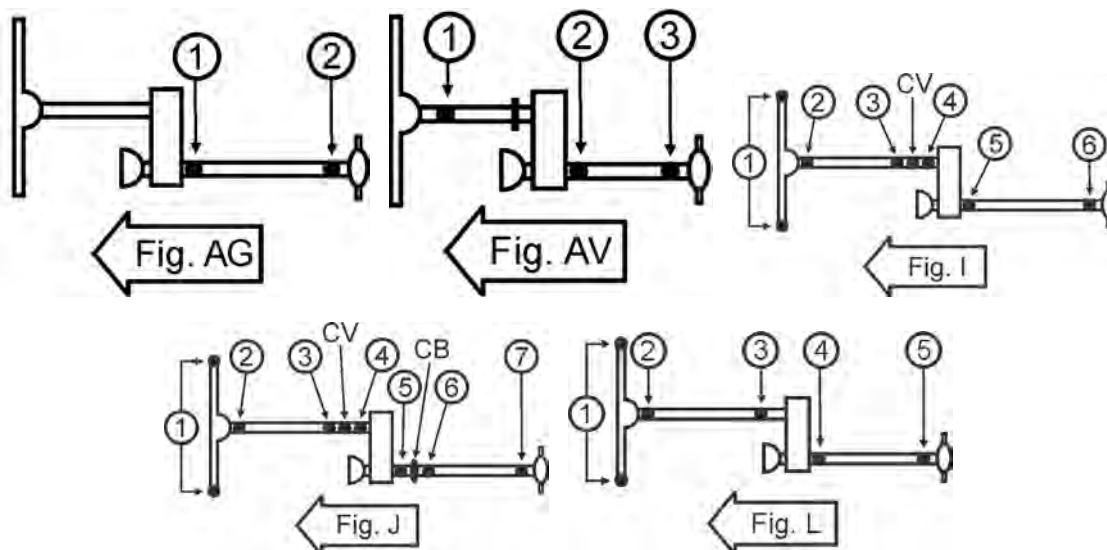
4  
W  
D

**Jeep (Cont'd)**

Year	Model	Description	Fig.	Location	Spicer Part #	SPL Part #	SVL Part #
2000-2001	Grand Cherokee	L6 4.0L; 1 Piece Driveshaft	AG	1,2	5-153X*	5-1310-1X* 5-1310X**	15-153X
2000-2004	Grand Cherokee	V8 4.7L; 1 Piece Driveshaft	I	2,3,4	5-153X*	5-1310-1X* 5-1310X**	15-153X
	Grand Cherokee	V8 4.7L; 1 Piece Driveshaft; Selec-Trac Transfer Case	I	5	5-213X*	5-1330-1X* 5-1330X**	15-213X
	Grand Cherokee	V8 4.7L; 1 Piece Driveshaft; Exc. Selec-Trac Transfer Case	I	5,6	5-153X*	5-1310-1X* 5-1310X**	15-153X
	Grand Cherokee	V8 4.7L; 1 Piece Driveshaft; Selec-Trac Transfer Case	I	6	5-153X*	5-1310-1X* 5-1310X**	15-153X
2002-2004	Grand Cherokee	L6 4.0L; 1 Piece Driveshaft	AV	1,2,3	5-153X*	5-1310-1X* 5-1310X**	15-153X
1984-1991	Grand Wagoneer		I	1	5-3226X	5-760X**	
	Grand Wagoneer		I	2,3,4,5,6	5-153X*	5-1310-1X* 5-1310X**	15-153X
1982-1988	J10		I	1	5-3226X	5-760X**	
	J10		I	2,3,4,5,6	5-153X*	5-1310-1X* 5-1310X**	15-153X
1974-1988	J20		I	1	5-3226X	5-760X**	
	J20		I	2,3,4,5,6	5-153X*	5-1310-1X* 5-1310X**	15-153X
1968-1969	J-2600	2 Piece Driveshaft	J	2	5-2140X		
	J-2600	2 Piece Driveshaft	J	3	5-3219-1X		
	J-2600	2 Piece Driveshaft	J	4	5-3247X		
	J-2600	1 Piece Driveshaft	L	1	5-260X**		15-260X
	J-2600	1 Piece Driveshaft	L	2,3,4,5	5-153X*	5-1310-1X* 5-1310X**	15-153X
1970-1973	J-2600		L	1	5-260X**		15-260X
	J-2600		L	2,3,4,5	5-153X*	5-1310-1X* 5-1310X**	15-153X
1968-1969	J-2700	2 Piece Driveshaft	J	2	5-2140X		
	J-2700	2 Piece Driveshaft	J	3	5-3219-1X		
	J-2700	2 Piece Driveshaft	J	4	5-3247X		
	J-2700	1 Piece Driveshaft	L	1	5-260X**		15-260X
	J-2700	1 Piece Driveshaft	L	2,3,4,5	5-153X*	5-1310-1X* 5-1310X**	15-153X
1970	J-2700		L	1	5-260X**		15-260X
	J-2700		L	2,3,4,5	5-153X*	5-1310-1X* 5-1310X**	15-153X
1965-1967	J-2800		L	1	5-260X**		15-260X
	J-2800		L	2,3,4,5	5-153X*	5-1310-1X* 5-1310X**	15-153X
1968	J-2800	2 Piece Driveshaft	J	2	5-2140X		
	J-2800	2 Piece Driveshaft	J	3	5-3219-1X		
	J-2800	2 Piece Driveshaft	J	4	5-3247X		
	J-2800	1 Piece Driveshaft	L	1	5-260X**		15-260X
	J-2800	1 Piece Driveshaft	L	2,3,4,5	5-153X*	5-1310-1X* 5-1310X**	15-153X
1968-1969	J-3500	2 Piece Driveshaft	J	2	5-2140X		
	J-3500	2 Piece Driveshaft	J	3	5-3219-1X		
	J-3500	2 Piece Driveshaft	J	4	5-3247X		
	J-3500	1 Piece Driveshaft	L	1	5-260X**		15-260X
	J-3500	1 Piece Driveshaft	L	2,3,4,5	5-153X*	5-1310-1X* 5-1310X**	15-153X
1970	J-3500		L	1	5-260X**		15-260X
	J-3500		L	2,3,4,5	5-153X*	5-1310-1X* 5-1310X**	15-153X
1968-1969	J-3600	2 Piece Driveshaft	J	2	5-2140X		
	J-3600	2 Piece Driveshaft	J	3	5-3219-1X		
	J-3600	2 Piece Driveshaft	J	4	5-3247X		
	J-3600	1 Piece Driveshaft	L	1	5-260X**		15-260X

\* GREASEABLE \*\* NON-GREASEABLE

4 W D



Jeep (Cont'd)

Year	Model	Description	Fig.	Location	Spicer Part #	SPL Part #	SVL Part #
1968-1969	J-3600	1 Piece Driveshaft	L	2,3,4,5	5-153X*	5-1310-1X* 5-1310X**	15-153X
1970	J-3600		L	1	5-260X**		15-260X
	J-3600		L	2,3,4,5	5-153X*	5-1310-1X* 5-1310X**	15-153X
1968-1969	J-3700	2 Piece Driveshaft	J	2	5-2140X		
	J-3700	2 Piece Driveshaft	J	3	5-3219-1X		
	J-3700	2 Piece Driveshaft	J	4	5-3247X		
	J-3700	1 Piece Driveshaft	L	1	5-260X**		15-260X
	J-3700	1 Piece Driveshaft	L	2,3,4,5	5-153X*	5-1310-1X* 5-1310X**	15-153X
1970	J-3700		L	1	5-260X**		15-260X
	J-3700		L	2,3,4,5	5-153X*	5-1310-1X* 5-1310X**	15-153X
1968-1969	J-3800	2 Piece Driveshaft	J	2	5-2140X		
	J-3800	2 Piece Driveshaft	J	3	5-3219-1X		
	J-3800	2 Piece Driveshaft	J	4	5-3247X		
	J-3800	1 Piece Driveshaft	L	1	5-260X**		15-260X
	J-3800	1 Piece Driveshaft	L	2,3,4,5	5-153X*	5-1310-1X* 5-1310X**	15-153X
1970-1971	J-3800		L	1	5-260X**		15-260X
	J-3800		L	2,3,4,5	5-153X*	5-1310-1X* 5-1310X**	15-153X
1967-1969	Jeepster		L	2,3	5-248X		
	Jeepster		L	4,5	5-153X*	5-1310-1X* 5-1310X**	15-153X
1967-1973	Jeepster		L	1	5-260X**		15-260X
1970-1973	Jeepster		L	2,3,4,5	5-153X*	5-1310-1X* 5-1310X**	15-153X
2002	Liberty	2.4L	L	4,5	5-153X*	5-1310-1X* 5-1310X**	15-153X
	Liberty	3.7L	L	4,5	5-213X*	5-1330-1X* 5-1330X**	15-213X
2003	Liberty	3.500" O.D. Yoke	L	4,5	5-153X*	5-1310-1X* 5-1310X**	15-153X
	Liberty	4.000" O.D. Yoke	L	4,5	5-213X*	5-1330-1X* 5-1330X**	15-213X
2004	Liberty		L	4,5	5-153X*	5-1310-1X* 5-1310X**	15-153X

\* GREASEABLE \*\* NON-GREASEABLE

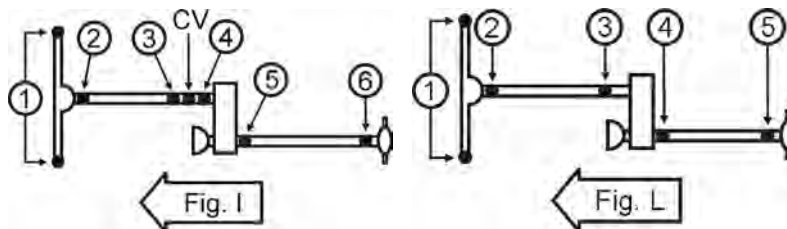
4  
W  
D

**Jeep (Cont'd)**

Year	Model	Description	Fig.	Location	Spicer Part #	SPL Part #	SVL Part #
2005-2007	Liberty	Auto Trans	L	4	5-153X*	5-1310-1X* 5-1310X**	15-153X
	Liberty	Standard Trans	L	4	5-213X*	5-1330-1X* 5-1330X**	15-213X
	Liberty		L	5	5-153X*	5-1310-1X* 5-1310X**	15-153X
1981	Scrambler		I	1	5-260X**		15-260X
	Scrambler		I	2,3,4,5,6	5-153X*	5-1310-1X* 5-1310X**	15-153X
1982-1985	Scrambler		L	1	5-260X**		15-260X
	Scrambler		L	2,3,4,5	5-153X*	5-1310-1X* 5-1310X**	15-153X
1997	TJ		L	1	5-3226X	5-760X**	
	TJ		L	2,3,4,5	5-153X*	5-1310-1X* 5-1310X**	15-153X
1998	TJ		I	2,3,4,5	5-153X*	5-1310-1X* 5-1310X**	15-153X
1998-2006	TJ		I	1	5-3226X	5-760X**	
1999-2002	TJ		I	2,3,4,5,6	5-153X*	5-1310-1X* 5-1310X**	15-153X
2003-2004	TJ	Rubicon	I	5	5-3147X*	5-795X**	15-3147X
	TJ	Rubicon	I	6	5-212X*	5-793X**	
2003-2006	TJ	Rubicon	I	2	5-212X*	5-793X**	
	TJ	Exc. Rubicon	I	2,3,4,5,6	5-153X*	5-1310-1X* 5-1310X**	15-153X
	TJ	Rubicon	I	3,4	5-213X*	5-1330-1X* 5-1330X**	15-213X
2005-2006	TJ	Rubicon; w/ Shaft #410AD	I	5	5-3147X*	5-795X**	15-3147X
	TJ	Rubicon; w/ Shaft #410AD	I	6	5-212X*	5-793X**	
1963-1969	Wagoneer	Exc. J164 Model	L	2,3	5-105X		
	Wagoneer	J164 Model	L	2,3	5-153X*	5-1310-1X* 5-1310X**	15-153X
	Wagoneer	Auto Trans	L	4,5	5-153X*	5-1310-1X* 5-1310X**	15-153X
	Wagoneer	Standard Trans	L	4,5	5-3228X	5-789X	
1963-1974	Wagoneer		L	1	5-260X**		15-260X
1970-1974	Wagoneer	w/ Inside Snap Rings	L	2,3,4,5	5-248X		
	Wagoneer	w/ Outside Snap Rings	L	2,3,4,5	5-153X*	5-1310-1X* 5-1310X**	15-153X
1975-1979	Wagoneer		I	2,3,4	5-153X*	5-1310-1X* 5-1310X**	15-153X
	Wagoneer	Auto Trans	I	5,6	5-153X*	5-1310-1X* 5-1310X**	15-153X
	Wagoneer	Standard Trans	I	6	5-3228X	5-789X	
1975-1983	Wagoneer		I	1	5-3226X	5-760X**	
1984-1985	Wagoneer	1.062" Cup Dia.	L	1	5-3226X	5-760X**	
	Wagoneer	1.188" Cup Dia.	L	1	5-260X**		15-260X
	Wagoneer		L	2,3,4,5	5-153X*	5-1310-1X* 5-1310X**	15-153X
1986-1987	Wagoneer	w/ CV Front Driveshaft; 1.062" Cup Dia. Wheel Joint	I	1	5-3226X	5-760X**	
	Wagoneer	w/ CV Front Driveshaft; 1.188" Cup Dia. Wheel Joint	I	1	5-260X**		15-260X
	Wagoneer	w/ CV Front Driveshaft	I	2,3,4,5,6	5-153X*	5-1310-1X* 5-1310X**	15-153X
	Wagoneer	w/o CV Front Driveshaft; 1.062" Cup Dia. Wheel Joint	L	1	5-3226X	5-760X**	
	Wagoneer	w/o CV Front Driveshaft; 1.188" Cup Dia. Wheel Joint	L	1	5-260X**		15-260X
	Wagoneer	w/o CV Front Driveshaft	L	2,3,4,5	5-153X*	5-1310-1X* 5-1310X**	15-153X
1988-1990	Wagoneer	1.062" Cup Dia.	I	1	5-260X**		15-260X
	Wagoneer	1.188" Cup Dia.	I	1	5-3226X	5-760X**	

\* GREASEABLE \*\* NON-GREASEABLE





Jeep (Cont'd)

Year	Model	Description	Fig.	Location	Spicer Part #	SPL Part #	SVL Part #
1988-1990	Wagoneer		I	2,3,4,5,6	5-153X*	5-1310-1X* 5-1310X**	15-153X
1987-1992	Wrangler		L	1	5-260X**		15-260X
1993-1995	Wrangler	1.062" Cup Dia.	L	1	5-260X**		15-260X
	Wrangler	1.188" Cup Dia.	L	1	5-3226X	5-760X**	
	Wrangler		L	2,3	5-153X*	5-1310-1X* 5-1310X**	15-153X
	Wrangler	w/ 3.469" O.D. Yoke	L	4	5-153X*	5-1310-1X* 5-1310X**	15-153X
	Wrangler	w/ 3.875" O.D. Yoke	L	5	5-213X*	5-1330-1X* 5-1330X**	15-213X
1997-1998	Wrangler		L	1	5-3226X	5-760X**	
	Wrangler		L	2,3,4,5	5-153X*	5-1310-1X* 5-1310X**	15-153X
1999-2002	Wrangler		I	2,3,4,5,6	5-153X*	5-1310-1X* 5-1310X**	15-153X
1999-2006	Wrangler		I	1	5-3226X	5-760X**	
2003-2004	Wrangler	Exc. Rubicon	I	2,3,4,5,6	5-153X*	5-1310-1X* 5-1310X**	15-153X
2005	Wrangler	Rubicon; w/ Shaft #410AD	I	2	5-212X*	5-793X**	
	Wrangler	Unlimited Rubicon; w/ Shaft #585AA	I	2	5-212X*	5-793X**	
	Wrangler	Rubicon; w/ Shaft #410AD	I	3,4	5-213X*	5-1330-1X* 5-1330X**	15-213X
	Wrangler	Unlimited Rubicon; w/ Shaft #585AA	I	3,4	5-213X*	5-1330-1X* 5-1330X**	15-213X
	Wrangler	Rubicon; w/ Shaft #410AD	I	5	5-3147X*	5-795X**	15-3147X
	Wrangler	Unlimited Rubicon; w/ Shaft #585AA	I	5,6	5-153X*	5-1310-1X* 5-1310X**	15-153X
	Wrangler	Rubicon; w/ Shaft #410AD	I	6	5-212X*	5-793X**	
2005-2006	Wrangler	Exc. Rubicon & Unlimited Rubicon	I	2,3,4,5,6	5-153X*	5-1310-1X* 5-1310X**	15-153X
2006	Wrangler	Rubicon	I	2	5-212X*	5-793X**	
	Wrangler	Unlimited Rubicon	I	2	5-212X*	5-793X**	
	Wrangler	Rubicon	I	3,4	5-213X*	5-1330-1X* 5-1330X**	15-213X
	Wrangler	Unlimited Rubicon	I	3,4	5-213X*	5-1330-1X* 5-1330X**	15-213X
	Wrangler	Rubicon	I	5	5-3147X*	5-795X**	15-3147X
	Wrangler	Unlimited Rubicon	I	5,6	5-153X*	5-1310-1X* 5-1310X**	15-153X
	Wrangler	Rubicon	I	6	5-212X*	5-793X**	
2007-2008	Wrangler	Sahara; X; Unlimited Sahara; Unlimited X	I	1	5-3226X	5-760X**	
2007-2012	Wrangler	Rubicon; Unlimited Rubicon	I	1		5-7166X**	
2009	Wrangler	Sahara; X; X-S; Unlimited Sahara; Unlimited X	I	1	5-3226X	5-760X**	
2010	Wrangler	Sahara; Sport; X; Unlimited Sahara; Unlimited Sport; Unlimited X	I	1	5-3226X	5-760X**	
2011	Wrangler	Exc. Rubicon & Unlimited Rubicon	I	1	5-3226X	5-760X**	
2012	Wrangler	Sahara; Sport; Unlimited Sahara; Unlimited Sport	I	1	5-3226X	5-760X**	
2013-2016	Wrangler	w/ Aftermarket 1310 Driveshaft	I	1		5-7166X**	
	Wrangler	w/ Aftermarket 1350 Driveshaft	I	1		5-7166X**	

\* GREASEABLE \*\* NON-GREASEABLE

4  
W  
D

**Jeep (Cont'd)**

Year	Model	Description	Fig.	Location	Spicer Part #	SPL Part #	SVL Part #
2013-2016	Wrangler	w/ Aftermarket 1310 Driveshaft	I	2,3,4,5,6	5-153X*	5-1310-1X* 5-1310X**	15-153X
	Wrangler	w/ Aftermarket 1350 Driveshaft	I	2,3,4,5,6	5-178X*	5-1350-1X* 5-1350X**	15-178X
2017	Wrangler	1 Piece Driveshaft	BC	1		5-7166X**	

**Kia**

Year	Model	Description	Fig.	Location	Spicer Part #	SPL Part #	SVL Part #
2003-2005	Sorento	1 Piece Driveshaft	L	2,3	5-3245-1X		
2006	Sorento	EX; 1 Piece Driveshaft; Part Time Transfer Case	L	2,3	5-3245-1X		
	Sorento	LX; 1 Piece Driveshaft	L	2,3	5-3245-1X		
1995-1999	Sportage	1 Piece Driveshaft	AH	1,2,3,4	5-3245-1X		
2000-2001	Sportage	1 Piece Driveshaft	L	2,3,4,5	5-3245-1X		

**Land Rover**

Year	Model	Description	Fig.	Location	Spicer Part #	SPL Part #	SVL Part #
1993	Defender 110		L	2,3,4,5	5-3214X		
1997	Defender 90		L	2,3,4,5	5-3214X		
1994-1998	Discovery		L	2,3,4,5	5-3214X		
1999	Discovery		L	2,3,4	5-3214X		
2000-2004	Discovery	1 Piece Driveshaft	W	1,2,3,4	5-3214X		
1948-1961	Land Rover		L	2,3,4,5	5-3214X		
1962-1969	Land Rover		L	2,3	5-153X*	5-1310-1X* 5-1310X**	15-153X
	Land Rover	3.250" Yoke	L	4,5	5-3214X		
	Land Rover	3.500" Yoke	L	4,5	5-153X*	5-1310-1X* 5-1310X**	15-153X
1970-1974	Land Rover		L	2,3,4,5	5-153X*	5-1310-1X* 5-1310X**	15-153X
1987-1995	Range Rover		L	2,3,4,5	5-3214X		
1996-2002	Range Rover		L	2,3,4	5-3214X		

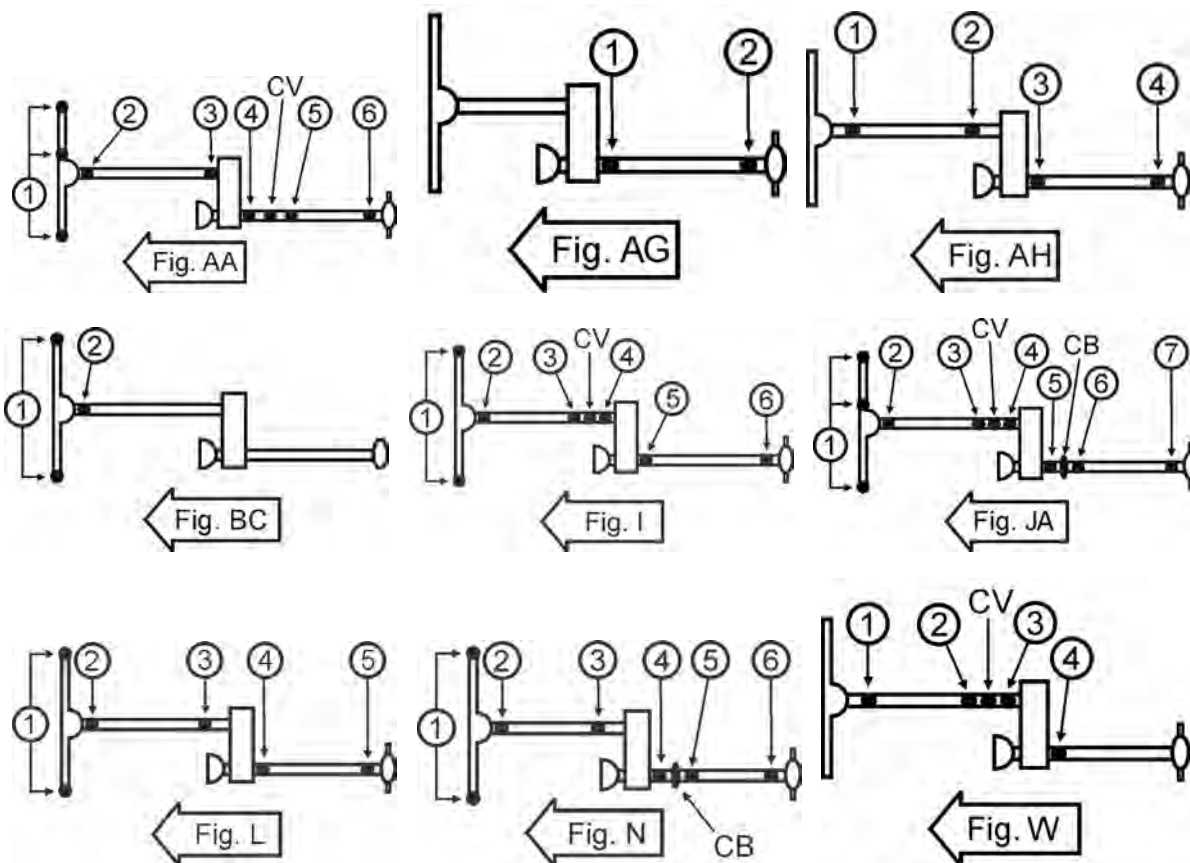
**Lexus**

Year	Model	Description	Fig.	Location	Spicer Part #	SPL Part #	SVL Part #
2010-2017	GX460	1 Piece Driveshaft	L	2,3,4,5	5-1510X*		
2003-2009	GX470	1 Piece Driveshaft	L	2,3,4,5	5-1510X*		
1996-1997	LX450		L	2,3	5-1510X*		
	LX450		L	4,5	5-3221X		
2005	LX470	1 Piece Driveshaft; From 05/2005	L	2,3	5-1510X*		
	LX470	1 Piece Driveshaft; From 11/2004; To 05/2005	L	2,3	5-1510X*		
	LX470	1 Piece Driveshaft; To 11/2004	L	2,3	5-1510X*		
	LX470	1 Piece Driveshaft	L	4,5	5-1510X*		
2006-2007	LX470	1 Piece Driveshaft	L	2,3,4,5	5-1510X*		
2013-2017	LX570	1 Piece Driveshaft	L	2,3,4,5	5-1510X*		

**Lincoln**

Year	Model	Description	Fig.	Location	Spicer Part #	SPL Part #	SVL Part #
2003-2005	Aviator		L	2	5-153X*	5-1310-1X* 5-1310X**	15-153X
	Aviator		L	4,5	5-213X*	5-1330-1X* 5-1330X**	15-213X
2006	Mark LT	2 Piece Driveshaft	N	4,5,6	5-3203X		
2006-2007	Mark LT	1 Piece Driveshaft	L	2,3	5-213X*	5-1330-1X* 5-1330X**	15-213X
	Mark LT	1 Piece Driveshaft; Includes Snap Ring Retainers	L	4,5	5-178X*	5-1350-1X* 5-1350X**	15-178X
	Mark LT	1 Piece Driveshaft; Staked Retainers	L	4,5	5-3203X		

\* GREASEABLE \*\* NON-GREASEABLE



4  
W  
D

**Lincoln (Cont'd)**

Year	Model	Description	Fig.	Location	Spicer Part #	SPL Part #	SVL Part #
2006-2007	Mark LT	2 Piece Driveshaft	N	2,3	5-213X*	5-1330-1X* 5-1330X**	15-213X
2007	Mark LT	2 Piece Driveshaft	N	4,5,6	5-178X*	5-1350-1X* 5-1350X**	15-178X
2008	Mark LT	1 Piece Driveshaft	L	2,3,4,5	5-178X*	5-1350-1X* 5-1350X**	15-178X
	Mark LT	2 Piece Driveshaft	N	2,3,4,5,6	5-178X*	5-1350-1X* 5-1350X**	15-178X
1998-1999	Navigator		L	2,3	5-213X*	5-1330-1X* 5-1330X**	15-213X
	Navigator		L	4,5	5-178X*	5-1350-1X* 5-1350X**	15-178X
2000-2006	Navigator	1 Piece Driveshaft	L	2,3	5-213X*	5-1330-1X* 5-1330X**	15-213X
	Navigator	1 Piece Driveshaft	L	4,5	5-178X*	5-1350-1X* 5-1350X**	15-178X
2007-2017	Navigator	1 Piece Driveshaft	AG	1,2	5-178X*	5-1350-1X* 5-1350X**	15-178X

**Mazda**

Year	Model	Description	Fig.	Location	Spicer Part #	SPL Part #	SVL Part #
1995-1996	B2300	w/o Double Cardan CV Joint	AA	2,3	5-153X*	5-1310-1X* 5-1310X**	15-153X
	B2300	108.0" WB	AA	4,6	5-153X*	5-1310-1X* 5-1310X**	15-153X
	B2300		JA	1	5-3226X	5-760X**	

\* GREASEABLE \*\* NON-GREASEABLE

**Mazda (Cont'd)**

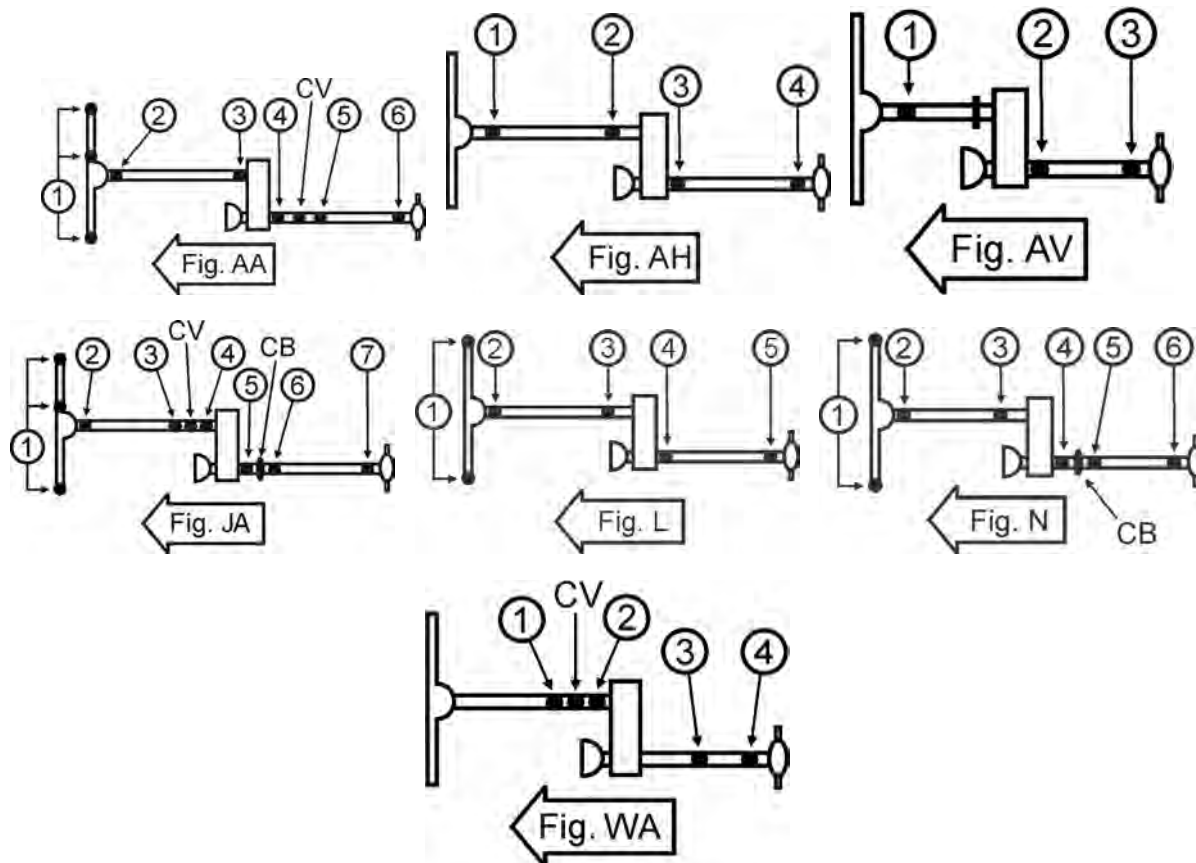
Year	Model	Description	Fig.	Location	Spicer Part #	SPL Part #	SVL Part #
1995-1996	B2300	w/ Double Cardan CV Joint	JA	2,3,4	5-153X*	5-1310-1X* 5-1310X**	15-153X
	B2300	125.0" WB	JA	5,6,7	5-153X*	5-1310-1X* 5-1310X**	15-153X
	B2300	114.0" WB	JA	5,7	5-213X*	5-1330-1X* 5-1330X**	15-213X
1987-1993	B2600		N	2,3	5-3245-1X		
	B2600		N	4,5,6	5-3216X		
1994-1996	B3000	Extended Cab; 125.0" WB	JA	5,6,7	5-153X*	5-1310-1X* 5-1310X**	15-153X
1994-1997	B3000	w/o Double Cardan CV Joint	AA	2,3	5-153X*	5-1310-1X* 5-1310X**	15-153X
	B3000		JA	1	5-3226X	5-760X**	
	B3000	w/ Double Cardan CV Joint	JA	2,3,4	5-153X*	5-1310-1X* 5-1310X**	15-153X
1997	B3000	108.0" WB	AA	4,6	5-153X*	5-1310-1X* 5-1310X**	15-153X
	B3000	114.0" WB	JA	5,7	5-213X*	5-1330-1X* 5-1330X**	15-213X
1998-2001	B3000	Extended Cab	AH	3	5-213X*	5-1330-1X* 5-1330X**	15-213X
	B3000		AH	4	5-213X*	5-1330-1X* 5-1330X**	15-213X
1998-2002	B3000		AH	1	5-153X*	5-1310-1X* 5-1310X**	15-153X
2002	B3000		AH	3,4	5-213X*	5-1330-1X* 5-1330X**	15-213X
1994	B4000	125.0" WB	JA	5,6,7	5-153X*	5-1310-1X* 5-1310X**	15-153X
	B4000	114.0" WB	JA	5,7	5-213X*	5-1330-1X* 5-1330X**	15-213X
1994-1997	B4000	w/o Double Cardan CV Joint	AA	2,3	5-153X*	5-1310-1X* 5-1310X**	15-153X
	B4000	108.0" WB	AA	4,6	5-153X*	5-1310-1X* 5-1310X**	15-153X
	B4000		JA	1	5-3226X	5-760X**	
	B4000	w/ Double Cardan CV Joint	JA	2,3,4	5-153X*	5-1310-1X* 5-1310X**	15-153X
1995-1997	B4000	Extended Cab; 125.0" WB	JA	5,6,7	5-153X*	5-1310-1X* 5-1310X**	15-153X
1998-2009	B4000		AH	1	5-153X*	5-1310-1X* 5-1310X**	15-153X
	B4000		AH	3,4	5-213X*	5-1330-1X* 5-1330X**	15-213X
1989-1995	MPV		AH	1,2	5-3245-1X		
	MPV		AH	3,4	5-3216X		
1991-1992	Navajo	1.062" Cup Dia.	JA	1	5-3215X		
	Navajo	1.188" Cup Dia.	JA	1	5-3226X	5-760X**	
1991-1994	Navajo		JA	2,3,4,5,7	5-153X*	5-1310-1X* 5-1310X**	15-153X
1993-1994	Navajo		JA	1	5-3226X	5-760X**	

4  
W  
D

**Mercedes-Benz**

Year	Model	Description	Fig.	Location	Spicer Part #	SPL Part #	SVL Part #
2001-2003	ML320	2 Piece Driveshaft	WA	3	5-153X*	5-1310-1X* 5-1310X**	15-153X
2003-2005	ML350	2 Piece Driveshaft	WA	3	5-153X*	5-1310-1X* 5-1310X**	15-153X
2000	ML430	V8 4.3L; 2 Piece Driveshaft	WA	3	5-153X*	5-1310-1X* 5-1310X**	15-153X
2001	ML430	2 Piece Driveshaft	WA	3	5-153X*	5-1310-1X* 5-1310X**	15-153X

\* GREASEABLE \*\* NON-GREASEABLE



4  
W  
D

**Mercedes-Benz (Cont'd)**

Year	Model	Description	Fig.	Location	Spicer Part #	SPL Part #	SVL Part #
2002-2005	ML500	2 Piece Driveshaft	WA	3	5-153X*	5-1310-1X* 5-1310X**	15-153X
2000-2003	ML55 AMG	2 Piece Driveshaft	WA	3	5-153X*	5-1310-1X* 5-1310X**	15-153X

**Mercury**

Year	Model	Description	Fig.	Location	Spicer Part #	SPL Part #	SVL Part #
1997-1999	Mountaineer		L	2	5-153X*	5-1310-1X* 5-1310X**	15-153X
	Mountaineer		L	4,5	5-213X*	5-1330-1X* 5-1330X**	15-213X
2000-2003	Mountaineer	1 Piece Driveshaft	AV	1	5-153X*	5-1310-1X* 5-1310X**	15-153X
	Mountaineer	1 Piece Driveshaft	AV	2,3	5-213X*	5-1330-1X* 5-1330X**	15-213X
2009-2010	Mountaineer	V6 4.0L; 1 Piece Driveshaft	AV	1	5-153X*	5-1310-1X* 5-1310X**	15-153X
	Mountaineer	V8 4.6L; 1 Piece Driveshaft	AV	1	5-153X*	5-1310-1X* 5-1310X**	15-153X
	Mountaineer	V6 4.0L; 1 Piece Driveshaft	AV	2,3	5-178X*	5-1350-1X* 5-1350X**	15-178X
	Mountaineer	V8 4.6L; 1 Piece Driveshaft	AV	2,3	5-178X*	5-1350-1X* 5-1350X**	15-178X

\* GREASEABLE \*\* NON-GREASEABLE

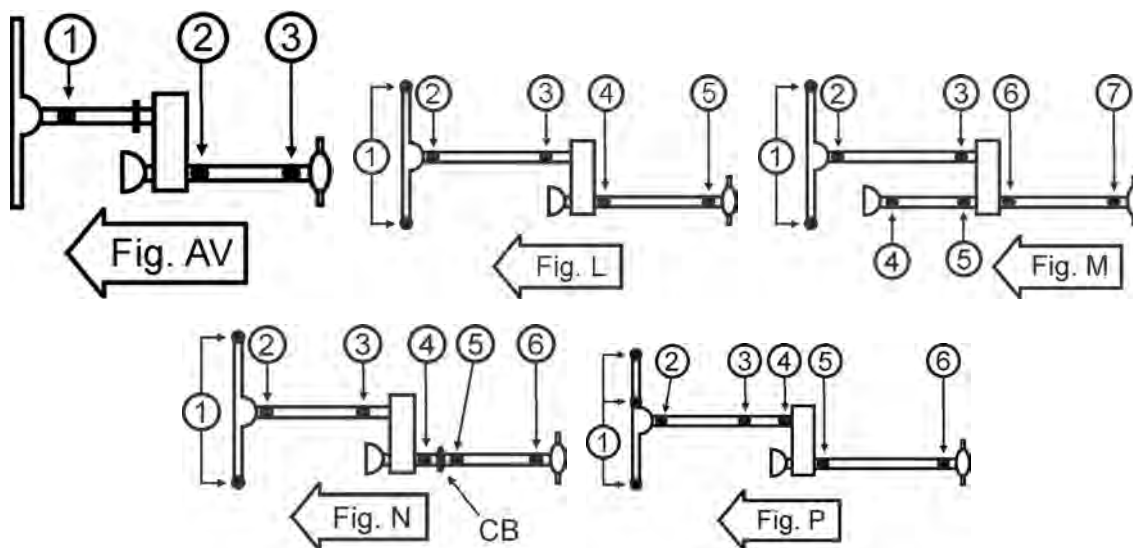
**Mitsubishi**

Year	Model	Description	Fig.	Location	Spicer Part #	SPL Part #	SVL Part #
1983-1989	Mighty Max		L	2,3	5-1503X		
	Mighty Max		L	4,5	5-3217X		
1990-1994	Mighty Max		N	2,3	5-1503X		
	Mighty Max		N	4,5,6	5-3243X		
1983-1988	Montero		L	4,5	5-3217X		
1983-1993	Montero		L	2,3	5-1503X		
1989	Montero	2.6L	L	4,5	5-3217X		
	Montero	3.0L	L	4,5	5-3243X		
1994	Montero	From 12/2/93	L	4,5	5-3243X		
1994-1996	Montero	3.0L	L	2,3	5-1503X		
	Montero	3.5L	L	2,3	5-3217X		
1995-1996	Montero		L	4,5	5-3243X		
1997-1998	Montero		L	2,3	5-3217X		
1997-1999	Montero	Auto Trans	L	5	5-3243X		
1999	Montero		L	2	5-1503X		
2000-2002	Montero	1 Piece Driveshaft	AV	1	5-1503X		
1997-1998	Montero Sport		L	2	5-1503X		
1997-1999	Montero Sport		L	4,5	5-3243X		
1999	Montero Sport	Limited	L	2	5-3217X		
	Montero Sport	LS; XLS	L	2	5-1503X		
2000-2004	Montero Sport	1 Piece Driveshaft	AV	1	5-1503X		
	Montero Sport	1 Piece Driveshaft	AV	2,3	5-3243X		
2006-2009	Raider	1 Piece Driveshaft	AV	1	5-153X*	5-1310-1X* 5-1310X**	15-153X
	Raider	1 Piece Driveshaft	AV	2,3	5-213X*	5-1330-1X* 5-1330X**	15-213X

**Nissan**

Year	Model	Description	Fig.	Location	Spicer Part #	SPL Part #	SVL Part #
1980-1981	720		M	2,3,4,5,6,7	5-1501X		
1982-1983	720	From 11/82	M	2,3,4,5,6,7	5-1505X		
	720	To 10/82	M	2,3,4,5,6,7	5-1501X		
1984	720		M	2,3,4,5,6,7	5-1505X		
1985-1986	720	To 10/85	M	2,3,4,5,6,7	5-1505X		
2005-2006	Armada	1 Piece Driveshaft	P	5	5-178X*	5-1350-1X* 5-1350X**	15-178X
2005-2015	Armada	1 Piece Driveshaft	P	2	5-153X*	5-1310-1X* 5-1310X**	15-153X
2007-2015	Armada	1 Piece Driveshaft	P	5	5-160X*	5-1410-1X* 5-1410X**	15-160X
1986	D21	Japan Built; To 10/85	M	2,3,4,5,6,7	5-1505X		
	D21	Japan Built; To 11/85	N	2,3	5-3218X		
	D21	American Built; From 1/86	N	2,3,4,6	5-153X*	5-1310-1X* 5-1310X**	15-153X
	D21	Japan Built; To 11/85	N	4,6	5-1505X		
	D21	Japan Built; From 11/85	N	5	5-1505X		
1988-1989	D21	2.4L; Japan Built; Vin starts JN6	N	2,3	5-1501X		
	D21	3.0L; Japan Built; Vin starts JN6	N	2,3	5-3218X		
	D21	3.0L; American Built; Vin starts 1N6	N	2,3,4,6	5-153X*	5-1310-1X* 5-1310X**	15-153X
	D21	2.4L; Japan Built; Vin starts JN6	N	4,5,6	5-3218X		
	D21	3.0L; Japan Built; Vin starts JN6	N	4,5,6	5-1505X		
1990-1994	D21	3.0L; American Built; Vin starts 1N6	L	2,3,4,5	5-153X*	5-1310-1X* 5-1310X**	15-153X
1998-1999	Frontier		N	2,3	5-153X*	5-1310-1X* 5-1310X**	15-153X
	Frontier	w/ Outside Snap Rings	N	4,5,6	5-153X*	5-1310-1X* 5-1310X**	15-153X
2000-2004	Frontier	V6 3.3L; 1 Piece Driveshaft; Long Bed	L	2,3,4,5	5-153X*	5-1310-1X* 5-1310X**	15-153X

\* GREASEABLE \*\* NON-GREASEABLE



Nissan (Cont'd)

Year	Model	Description	Fig.	Location	Spicer Part #	SPL Part #	SVL Part #
2000-2004	Frontier	V6 3.3L; 2 Piece Driveshaft; Extra Long Bed; Super Long Bed	N	2,3,4,5,6	5-153X*	5-1310-1X* 5-1310X**	15-153X
2005-2017	Frontier	V6 4.0L; 1 Piece Driveshaft	P	2,3,4	5-153X*	5-1310-1X* 5-1310X**	15-153X
	Frontier	V6 4.0L; 1 Piece Driveshaft	P	5,6	5-213X*	5-1330-1X* 5-1330X**	15-213X
1988	Pathfinder	2.4L	L	2,3	5-1501X		
	Pathfinder	3.0L	L	2,3	5-3218X		
	Pathfinder	2.4L	L	4,5	5-3218X		
	Pathfinder	3.0L	L	4,5	5-1505X		
1989	Pathfinder		L	4,5	5-1505X		
1989-1999	Pathfinder		L	2,3	5-3218X		
1990-1999	Pathfinder	w/ Inside Snap Rings	L	4,5	5-1505X		
	Pathfinder	w/ Outside Snap Rings	L	4,5	5-153X*	5-1310-1X* 5-1310X**	15-153X
2004	Pathfinder	1 Piece Driveshaft	L	2,3	5-3218X		
	Pathfinder	1 Piece Driveshaft	L	4,5	5-1505X		
2005-2007	Pathfinder	1 Piece Driveshaft	P	5	5-213X*	5-1330-1X* 5-1330X**	15-213X
2005-2012	Pathfinder	1 Piece Driveshaft	P	2	5-153X*	5-1310-1X* 5-1310X**	15-153X
2008	Pathfinder	Exc. SE Off-Road; 1 Piece Driveshaft	P	5	5-213X*	5-1330-1X* 5-1330X**	15-213X
	Pathfinder	SE Off-Road; 1 Piece Driveshaft	P	5	5-213X*	5-1330-1X* 5-1330X**	15-213X
2009-2011	Pathfinder	1 Piece Driveshaft	P	5	5-178X*	5-1350-1X* 5-1350X**	15-178X
2012	Pathfinder	1 Piece Driveshaft	P	5	5-213X*	5-1330-1X* 5-1330X**	15-213X
2004	Pathfinder Armada	1 Piece Driveshaft	P	2,3,4	5-153X*	5-1310-1X* 5-1310X**	15-153X
	Pathfinder Armada	1 Piece Driveshaft	P	5,6	5-178X*	5-1350-1X* 5-1350X**	15-178X
1995-1997	Pickup	1 Piece Driveshaft; American Built; Vin starts 1N6	L	2,3,4,5	5-153X*	5-1310-1X* 5-1310X**	15-153X
	Pickup	2 Piece Driveshaft; American Built; Vin starts 1N6	N	2,3,4,5,6	5-153X*	5-1310-1X* 5-1310X**	15-153X
2004	Titan	1 Piece Driveshaft	P	2	5-178X*	5-1350-1X* 5-1350X**	15-178X

\* GREASEABLE \*\* NON-GREASEABLE

4  
W  
D

**Nissan (Cont'd)**

Year	Model	Description	Fig.	Location	Spicer Part #	SPL Part #	SVL Part #
2004	Titan	1 Piece Driveshaft	P	5	5-153X*	5-1310-1X* 5-1310X**	15-153X
2005	Titan	LE; Flex-Fuel-Fuel; 1 Piece Driveshaft	P	2	5-178X*	5-1350-1X* 5-1350X**	15-178X
	Titan	LE; Gas; 1 Piece Driveshaft	P	2	5-153X*	5-1310-1X* 5-1310X**	15-153X
	Titan	SE; 1 Piece Driveshaft	P	2	5-153X*	5-1310-1X* 5-1310X**	15-153X
	Titan	XE; 1 Piece Driveshaft	P	2	5-153X*	5-1310-1X* 5-1310X**	15-153X
	Titan	1 Piece Driveshaft	P	5	5-153X* 5-178X*	5-1310-1X* 5-1310X** 5-1350-1X* 5-1350X**	15-153X 15-178X
2006	Titan	1 Piece Driveshaft	P	5	5-178X*	5-1350-1X* 5-1350X**	15-178X
2006-2015	Titan	1 Piece Driveshaft	P	2	5-153X*	5-1310-1X* 5-1310X**	15-153X
2007-2015	Titan	1 Piece Driveshaft	P	5	5-160X*	5-1410-1X* 5-1410X**	15-160X
2017	Titan	1 Piece Driveshaft	P	2	5-160X*	5-1410-1X* 5-1410X**	15-160X
2016-2017	Titan XD	1 Piece Driveshaft	P	2,5	5-213X*	5-1330-1X* 5-1330X**	15-213X
2000-2003	Xterra	3.3L	L	2,3,4,5	5-153X*	5-1310-1X* 5-1310X**	15-153X
2004	Xterra		L	4,5	5-153X*	5-1310-1X* 5-1310X**	15-153X
2005-2011	Xterra	1 Piece Driveshaft	P	5	5-213X*	5-1330-1X* 5-1330X**	15-213X
2005-2015	Xterra	1 Piece Driveshaft	P	2	5-153X*	5-1310-1X* 5-1310X**	15-153X
2012-2015	Xterra	PRO-4X; 1 Piece Driveshaft	P	5	5-213X*	5-1330-1X* 5-1330X**	15-213X
	Xterra	S; 1 Piece Driveshaft	P	5	5-213X*	5-1330-1X* 5-1330X**	15-213X
	Xterra	X; 1 Piece Driveshaft	P	5	5-213X*	5-1330-1X* 5-1330X**	15-213X

4  
W  
D

**Oldsmobile**

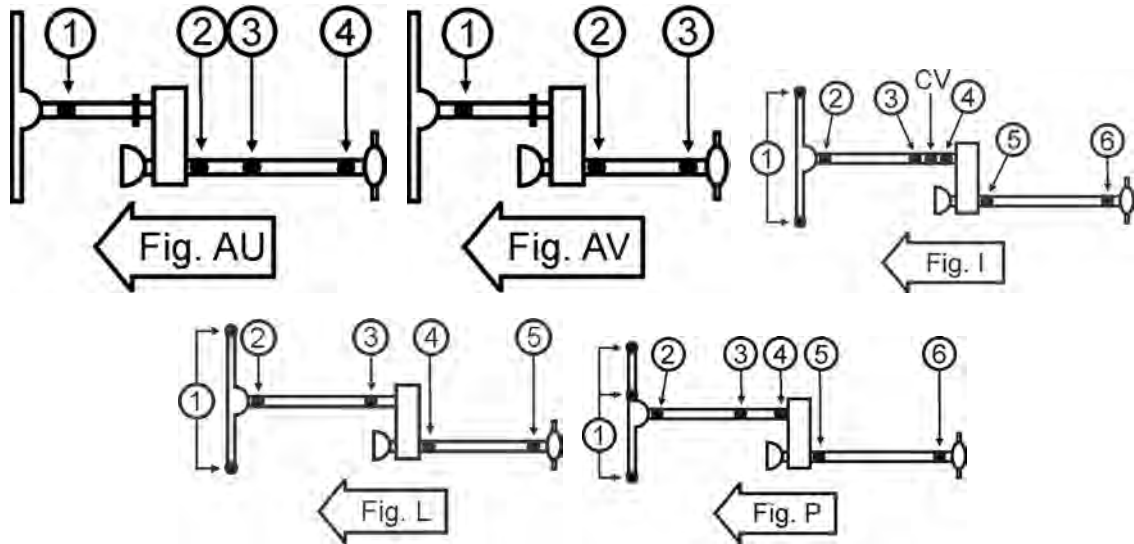
Year	Model	Description	Fig.	Location	Spicer Part #	SPL Part #	SVL Part #
1991-1994	Bravada	w/ 2.750" Yoke	L	3	5-443X		
	Bravada	w/ 3.500" Yoke	L	3	5-153X*	5-1310-1X* 5-1310X**	15-153X
1996-1997	Bravada		L	3,4,5	5-3147X*	5-795X**	15-3147X
1998-2004	Bravada		L	2	5-3213X		
	Bravada		L	4,5	5-3147X*	5-795X**	15-3147X

**Plymouth**

Year	Model	Description	Fig.	Location	Spicer Part #	SPL Part #	SVL Part #
1974-1976	Trailduster		I	2,5	5-3228X	5-789X	
	Trailduster	w/ Inside Snap Rings	I	3,4	5-3147X*	5-795X**	15-3147X
	Trailduster	w/ Outside Snap Rings	I	3,4	5-153X*	5-1310-1X* 5-1310X**	15-153X
1974-1977	Trailduster	w/ Inside Snap Rings	I	CV	211009X		
1974-1981	Trailduster		I	1	5-3226X	5-760X**	
	Trailduster	w/ 2.125" Snap Ring	I	6	5-3228X	5-789X	
	Trailduster	w/ 2.625" Snap Ring	I	6	5-1309X	5-811X	
1977-1981	Trailduster		I	2	5-3228X	5-789X	
	Trailduster		I	3,4	5-3147X*	5-795X**	15-3147X
	Trailduster		I	5	5-3228X	5-789X	
1978-1981	Trailduster		I	CV	211009X		

\* GREASEABLE \*\* NON-GREASEABLE





**Ram**

Year	Model	Description	Fig.	Location	Spicer Part #	SPL Part #	SVL Part #
2011	1500	V8 4.7L; 2 Piece Driveshaft	AU	1	5-213X*	5-1330-1X* 5-1330X**	15-213X
	1500	V8 5.7L; 2 Piece Driveshaft	AU	1	5-213X*	5-1330-1X* 5-1330X**	15-213X
	1500	V8 4.7L; Exc. Big Horn & SXT; 2 Piece Driveshaft	AU	2,3,4	5-213X*	5-1330-1X* 5-1330X**	15-213X
	1500	V8 5.7L; Exc. Big Horn & SXT; 2 Piece Driveshaft	AU	2,3,4	5-213X*	5-1330-1X* 5-1330X**	15-213X
	1500	V8 4.7L; Exc. Big Horn & SXT; 1 Piece Driveshaft	AV	2,3	5-178X*	5-1350-1X* 5-1350X**	15-178X
	1500	V8 5.7L; Exc. Big Horn & SXT; 1 Piece Driveshaft	AV	2,3	5-178X*	5-1350-1X* 5-1350X**	15-178X
2011-2012	1500	V8 4.7L; 1 Piece Driveshaft	AV	1	5-213X*	5-1330-1X* 5-1330X**	15-213X
	1500	V8 5.7L; 1 Piece Driveshaft	AV	1	5-213X*	5-1330-1X* 5-1330X**	15-213X
2012	1500	V8 4.7L; 2 Piece Driveshaft	AU	1,2,3,4	5-213X*	5-1330-1X* 5-1330X**	15-213X
	1500	V8 5.7L; 2 Piece Driveshaft	AU	1,2,3,4	5-213X*	5-1330-1X* 5-1330X**	15-213X
	1500	V8 4.7L; 1 Piece Driveshaft	AV	2,3	5-178X*	5-1350-1X* 5-1350X**	15-178X
	1500	V8 5.7L; 1 Piece Driveshaft	AV	2,3	5-178X*	5-1350-1X* 5-1350X**	15-178X
2013	1500	Exc. ST & SXT; 2 Piece Driveshaft	AU	2,3,4	5-213X*	5-1330-1X* 5-1330X**	15-213X
2013-2014	1500	Exc. ST & SXT; 1 Piece Driveshaft	AV	2,3	5-178X*	5-1350-1X* 5-1350X**	15-178X
2014	1500	Exc. ST & SXT; 2 Piece Driveshaft	AU	2,3,4	5-178X*	5-1350-1X* 5-1350X**	15-178X
2015-2017	1500	V6 3.6L; Exc. ST & SXT; 2 Piece Driveshaft	AU	2,3,4	5-178X*	5-1350-1X* 5-1350X**	15-178X
	1500	V8 5.7L; Exc. ST & SXT; 2 Piece Driveshaft	AU	2,3,4	5-178X*	5-1350-1X* 5-1350X**	15-178X
	1500	V6 3.6L; Exc. ST & SXT; 1 Piece Driveshaft	AV	2,3	5-178X*	5-1350-1X* 5-1350X**	15-178X
	1500	V8 5.7L; Exc. ST & SXT; 1 Piece Driveshaft	AV	2,3	5-178X*	5-1350-1X* 5-1350X**	15-178X
2011	2500	Exc. Outdoorsman & SXT; 1 Piece Driveshaft	I	1	5-3212X		
	2500	L6 6.7L; Laramie Longhorn; 1 Piece Driveshaft	I	2	5-178X*	5-1350-1X* 5-1350X**	15-178X

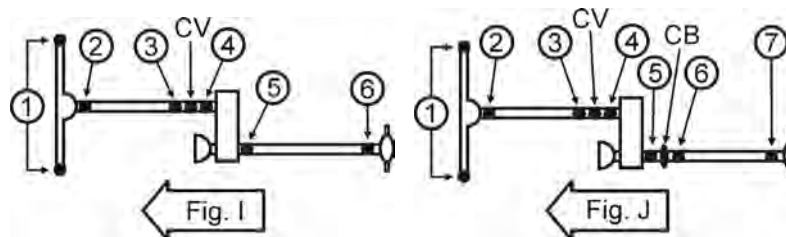
\* GREASEABLE \*\* NON-GREASEABLE

4  
W  
D

**Ram (Cont'd)**

Year	Model	Description	Fig.	Location	Spicer Part #	SPL Part #	SVL Part #
2011	2500	L6 6.7L; Laramie; 1 Piece Driveshaft	I	2	5-178X*	5-1350-1X* 5-1350X**	15-178X
	2500	L6 6.7L; SLT; 1 Piece Driveshaft	I	2	5-178X*	5-1350-1X* 5-1350X**	15-178X
	2500	L6 6.7L; ST; 1 Piece Driveshaft	I	2	5-178X*	5-1350-1X* 5-1350X**	15-178X
	2500	Power Wagon; 1 Piece Driveshaft	I	2	5-178X*	5-1350-1X* 5-1350X**	15-178X
	2500	V8 5.7L; Laramie Longhorn; 1 Piece Driveshaft	I	2	5-178X*	5-1350-1X* 5-1350X**	15-178X
	2500	V8 5.7L; Laramie; 1 Piece Driveshaft	I	2	5-178X*	5-1350-1X* 5-1350X**	15-178X
	2500	V8 5.7L; SLT; 1 Piece Driveshaft	I	2	5-178X*	5-1350-1X* 5-1350X**	15-178X
	2500	V8 5.7L; ST; 1 Piece Driveshaft	I	2	5-178X*	5-1350-1X* 5-1350X**	15-178X
	2500	Exc. Outdoorsman & SXT; 1 Piece Driveshaft	I	2,3,4	5-178X*	5-1350-1X* 5-1350X**	15-178X
	2500	L6 6.7L; Exc. Outdoorsman & SXT; 1 Piece Driveshaft	I	5,6	5-3206X		
	2500	L6 6.7L; Laramie Longhorn; 1 Piece Driveshaft	I	5,6	5-3206X		
	2500	L6 6.7L; Laramie; 1 Piece Driveshaft	I	5,6	5-3206X		
	2500	L6 6.7L; SLT; 1 Piece Driveshaft	I	5,6	5-3206X		
	2500	L6 6.7L; ST; 1 Piece Driveshaft	I	5,6	5-3206X		
	2500	Power Wagon; 1 Piece Driveshaft	I	5,6	5-3207X**		
	2500	V8 5.7L; Exc. Outdoorsman & SXT; 1 Piece Driveshaft	I	5,6	5-3207X**		
	2500	V8 5.7L; Laramie Longhorn; 1 Piece Driveshaft	I	5,6	5-3207X**		
	2500	V8 5.7L; Laramie; 1 Piece Driveshaft	I	5,6	5-3207X**		
	2500	V8 5.7L; SLT; 1 Piece Driveshaft	I	5,6	5-3207X**		
	2500	V8 5.7L; ST; 1 Piece Driveshaft	I	5,6	5-3207X**		
	2500	Exc. Outdoorsman & SXT; 2 Piece Driveshaft	J	1	5-3212X		
	2500	L6 6.7L; Laramie Longhorn; 2 Piece Driveshaft	J	2	5-178X*	5-1350-1X* 5-1350X**	15-178X
	2500	L6 6.7L; Laramie; 2 Piece Driveshaft	J	2	5-178X*	5-1350-1X* 5-1350X**	15-178X
	2500	L6 6.7L; SLT; 2 Piece Driveshaft	J	2	5-178X*	5-1350-1X* 5-1350X**	15-178X
	2500	L6 6.7L; ST; 2 Piece Driveshaft	J	2	5-178X*	5-1350-1X* 5-1350X**	15-178X
	2500	Power Wagon; 2 Piece Driveshaft	J	2	5-178X*	5-1350-1X* 5-1350X**	15-178X
	2500	V8 5.7L; Laramie Longhorn; 2 Piece Driveshaft	J	2	5-178X*	5-1350-1X* 5-1350X**	15-178X
	2500	V8 5.7L; Laramie; 2 Piece Driveshaft	J	2	5-178X*	5-1350-1X* 5-1350X**	15-178X
	2500	V8 5.7L; SLT; 2 Piece Driveshaft	J	2	5-178X*	5-1350-1X* 5-1350X**	15-178X
	2500	V8 5.7L; ST; 2 Piece Driveshaft	J	2	5-178X*	5-1350-1X* 5-1350X**	15-178X
	2500	Exc. Outdoorsman & SXT; 2 Piece Driveshaft	J	2,3,4	5-178X*	5-1350-1X* 5-1350X**	15-178X
	2500	L6 6.7L; Exc. Outdoorsman & SXT; 2 Piece Driveshaft	J	5,6,7	5-3206X		
	2500	L6 6.7L; Laramie Longhorn; 2 Piece Driveshaft	J	5,6,7	5-3206X		
	2500	L6 6.7L; Laramie; 2 Piece Driveshaft	J	5,6,7	5-3206X		
	2500	L6 6.7L; SLT; 2 Piece Driveshaft	J	5,6,7	5-3206X		
	2500	L6 6.7L; ST; 2 Piece Driveshaft	J	5,6,7	5-3206X		
	2500	Power Wagon; 2 Piece Driveshaft	J	5,6,7	5-3207X**		

\* GREASEABLE \*\* NON-GREASEABLE



Ram (Cont'd)

Year	Model	Description	Fig.	Location	Spicer Part #	SPL Part #	SVL Part #
2011	2500	V8 5.7L; Exc. Outdoorsman & SXT; 2 Piece Driveshaft	J	5,6,7	5-3207X**		
	2500	V8 5.7L; Laramie Longhorn; 2 Piece Driveshaft	J	5,6,7	5-3207X**		
	2500	V8 5.7L; Laramie; 2 Piece Driveshaft	J	5,6,7	5-3207X**		
	2500	V8 5.7L; SLT; 2 Piece Driveshaft	J	5,6,7	5-3207X**		
	2500	V8 5.7L; ST; 2 Piece Driveshaft	J	5,6,7	5-3207X**		
2012	2500	1 Piece Driveshaft	I	1	5-3212X		
	2500	1 Piece Driveshaft	I	2,3,4	5-178X*	5-1350-1X* 5-1350X**	15-178X
	2500	L6 6.7L; 1 Piece Driveshaft	I	5,6	5-3206X		
	2500	V8 5.7L; 1 Piece Driveshaft	I	5,6	5-3207X**		
	2500	2 Piece Driveshaft	J	1	5-3212X		
	2500	2 Piece Driveshaft	J	2,3,4	5-178X*	5-1350-1X* 5-1350X**	15-178X
	2500	L6 6.7L; 2 Piece Driveshaft	J	5,6,7	5-3206X		
	2500	V8 5.7L; 2 Piece Driveshaft	J	5,6,7	5-3207X**		
2013	2500	Exc. SXT; 1 Piece Driveshaft	I	1	5-3212X		
	2500	Exc. SXT; 1 Piece Driveshaft	I	2	5-160X*	5-1410-1X* 5-1410X**	15-160X
	2500	Exc. SXT; 1 Piece Driveshaft	I	5,6	5-3207X**		
	2500	Exc. SXT; 2 Piece Driveshaft	J	1	5-3212X		
	2500	Exc. SXT; 2 Piece Driveshaft	J	2	5-160X*	5-1410-1X* 5-1410X**	15-160X
	2500	Exc. SXT; 2 Piece Driveshaft	J	5,6,7	5-155X*	SPL70-1X* SPL70X**	15-155X
2014-2017	2500	Exc. ST; 1 Piece Driveshaft	I	1	5-3212X		
	2500	Exc. ST; 1 Piece Driveshaft	I	2	5-160X*	5-1410-1X* 5-1410X**	15-160X
	2500	Exc. ST; 1 Piece Driveshaft	I	5,6	5-3207X**		
	2500	Exc. ST; 2 Piece Driveshaft	J	1	5-3212X		
	2500	Exc. ST; 2 Piece Driveshaft	J	2	5-160X*	5-1410-1X* 5-1410X**	15-160X
	2500	Exc. ST; 2 Piece Driveshaft	J	5,6,7	5-155X*	SPL70-1X* SPL70X**	15-155X
2011	3500	Exc. SXT; 1 Piece Driveshaft	I	2,3,4	5-178X*	5-1350-1X* 5-1350X**	15-178X
	3500	L6 6.7L; Laramie Longhorn; 1 Piece Driveshaft; Dual Rear Wheels	I	5,6	5-3230X		
	3500	L6 6.7L; Laramie Longhorn; 1 Piece Driveshaft; Single Rear Wheels	I	5,6	5-3206X		
	3500	Exc. SXT; 2 Piece Driveshaft	J	2,3,4	5-178X*	5-1350-1X* 5-1350X**	15-178X
	3500	L6 6.7L; Laramie Longhorn; 2 Piece Driveshaft; Dual Rear Wheels	J	5,6,7	5-3230X		
	3500	L6 6.7L; Laramie Longhorn; 2 Piece Driveshaft; Single Rear Wheels	J	5,6,7	5-3206X		
	3500	L6 6.7L; Laramie; Cab & Chassis; 2 Piece Driveshaft; Dual Rear Wheels	J	5,6,7	5-3230X		
	3500	L6 6.7L; Laramie; Cab & Chassis; 2 Piece Driveshaft; Single Rear Wheels	J	5,6,7	5-3206X		

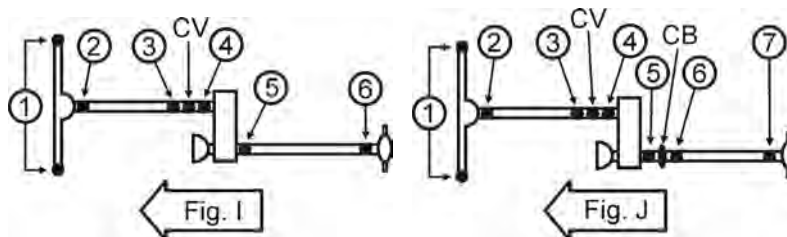
\* GREASEABLE \*\* NON-GREASEABLE

4  
W  
D

**Ram (Cont'd)**

Year	Model	Description	Fig.	Location	Spicer Part #	SPL Part #	SVL Part #
2011	3500	L6 6.7L; Laramie; Crew Cab; 2 Piece Driveshaft; Dual Rear Wheels	J	5,6,7	5-3230X		
	3500	L6 6.7L; Laramie; Crew Cab; 2 Piece Driveshaft; Single Rear Wheels	J	5,6,7	5-3206X		
	3500	L6 6.7L; Laramie; Extended Crew Cab; 2 Piece Driveshaft; Dual Rear Wheels	J	5,6,7	5-3230X		
	3500	L6 6.7L; Laramie; Extended Crew Cab; 2 Piece Driveshaft; Single Rear Wheels	J	5,6,7	5-3206X		
	3500	L6 6.7L; SLT; Cab & Chassis; 2 Piece Driveshaft; Dual Rear Wheels	J	5,6,7	5-3230X		
	3500	L6 6.7L; SLT; Cab & Chassis; 2 Piece Driveshaft; Single Rear Wheels	J	5,6,7	5-3206X		
	3500	L6 6.7L; SLT; Crew Cab; 2 Piece Driveshaft; Dual Rear Wheels	J	5,6,7	5-3230X		
	3500	L6 6.7L; SLT; Crew Cab; 2 Piece Driveshaft; Single Rear Wheels	J	5,6,7	5-3206X		
	3500	L6 6.7L; SLT; Extended Crew Cab; 2 Piece Driveshaft; Dual Rear Wheels	J	5,6,7	5-3230X		
	3500	L6 6.7L; SLT; Extended Crew Cab; 2 Piece Driveshaft; Single Rear Wheels	J	5,6,7	5-3206X		
	3500	L6 6.7L; SLT; Standard Cab; 2 Piece Driveshaft; Dual Rear Wheels	J	5,6,7	5-3230X		
	3500	L6 6.7L; SLT; Standard Cab; 2 Piece Driveshaft; Single Rear Wheels	J	5,6,7	5-3206X		
	3500	L6 6.7L; ST; Cab & Chassis; 2 Piece Driveshaft; Dual Rear Wheels	J	5,6,7	5-3230X		
	3500	L6 6.7L; ST; Cab & Chassis; 2 Piece Driveshaft; Single Rear Wheels	J	5,6,7	5-3206X		
	3500	L6 6.7L; ST; Crew Cab; 2 Piece Driveshaft; Dual Rear Wheels	J	5,6,7	5-3230X		
	3500	L6 6.7L; ST; Crew Cab; 2 Piece Driveshaft; Single Rear Wheels	J	5,6,7	5-3206X		
	3500	L6 6.7L; ST; Standard Cab; 2 Piece Driveshaft; Dual Rear Wheels	J	5,6,7	5-3230X		
	3500	L6 6.7L; ST; Standard Cab; 2 Piece Driveshaft; Single Rear Wheels	J	5,6,7	5-3206X		
	3500	V8 5.7L; Laramie; 2 Piece Driveshaft; Dual Rear Wheels	J	5,6,7	5-3230X		
	3500	V8 5.7L; Laramie; 2 Piece Driveshaft; Single Rear Wheels	J	5,6,7	5-3206X		
	3500	V8 5.7L; SLT; 2 Piece Driveshaft; Dual Rear Wheels	J	5,6,7	5-3230X		
	3500	V8 5.7L; SLT; 2 Piece Driveshaft; Single Rear Wheels	J	5,6,7	5-3206X		
	3500	V8 5.7L; ST; 2 Piece Driveshaft; Dual Rear Wheels	J	5,6,7	5-3230X		
	3500	V8 5.7L; ST; 2 Piece Driveshaft; Single Rear Wheels	J	5,6,7	5-3206X		
2011-2012	3500	L6 6.7L; Laramie; Cab & Chassis; Auto Trans; 1 Piece Driveshaft	I	5,6	5-3230X		
	3500	L6 6.7L; Laramie; Cab & Chassis; Standard Trans; 1 Piece Driveshaft	I	5,6	5-3230X		
	3500	L6 6.7L; Laramie; Crew Cab; 1 Piece Driveshaft; Dual Rear Wheels	I	5,6	5-3230X		
	3500	L6 6.7L; Laramie; Crew Cab; 1 Piece Driveshaft; Single Rear Wheels	I	5,6	5-3206X		
	3500	L6 6.7L; Laramie; Extended Crew Cab; 1 Piece Driveshaft; Dual Rear Wheels	I	5,6	5-3230X		
	3500	L6 6.7L; Laramie; Extended Crew Cab; 1 Piece Driveshaft; Single Rear Wheels	I	5,6	5-3206X		
	3500	L6 6.7L; SLT; Cab & Chassis; Auto Trans; 1 Piece Driveshaft	I	5,6	5-3230X		
	3500	L6 6.7L; SLT; Cab & Chassis; Standard Trans; 1 Piece Driveshaft	I	5,6	5-3230X		

\* GREASEABLE \*\* NON-GREASEABLE



Ram (Cont'd)

Year	Model	Description	Fig.	Location	Spicer Part #	SPL Part #	SVL Part #
2011-2012	3500	L6 6.7L; SLT; Crew Cab; 1 Piece Driveshaft; Dual Rear Wheels	I	5,6	5-3230X		
	3500	L6 6.7L; SLT; Crew Cab; 1 Piece Driveshaft; Single Rear Wheels	I	5,6	5-3206X		
	3500	L6 6.7L; SLT; Extended Crew Cab; 1 Piece Driveshaft; Dual Rear Wheels	I	5,6	5-3230X		
	3500	L6 6.7L; SLT; Extended Crew Cab; 1 Piece Driveshaft; Single Rear Wheels	I	5,6	5-3206X		
	3500	L6 6.7L; SLT; Standard Cab; 1 Piece Driveshaft; Dual Rear Wheels	I	5,6	5-3230X		
	3500	L6 6.7L; SLT; Standard Cab; 1 Piece Driveshaft; Single Rear Wheels	I	5,6	5-3206X		
	3500	L6 6.7L; ST; Cab & Chassis; Auto Trans; 1 Piece Driveshaft	I	5,6	5-3230X		
	3500	L6 6.7L; ST; Cab & Chassis; Standard Trans; 1 Piece Driveshaft	I	5,6	5-3230X		
	3500	L6 6.7L; ST; Crew Cab; 1 Piece Driveshaft; Dual Rear Wheels	I	5,6	5-3230X		
	3500	L6 6.7L; ST; Crew Cab; 1 Piece Driveshaft; Single Rear Wheels	I	5,6	5-3206X		
	3500	L6 6.7L; ST; Standard Cab; 1 Piece Driveshaft; Dual Rear Wheels	I	5,6	5-3230X		
	3500	L6 6.7L; ST; Standard Cab; 1 Piece Driveshaft; Single Rear Wheels	I	5,6	5-3206X		
	3500	V8 5.7L; Laramie; 1 Piece Driveshaft	I	5,6	5-3230X		
	3500	V8 5.7L; SLT; 1 Piece Driveshaft	I	5,6	5-3230X		
	3500	V8 5.7L; ST; 1 Piece Driveshaft	I	5,6	5-3230X		
2012	3500	1 Piece Driveshaft	I	1	5-3212X		
	3500	1 Piece Driveshaft	I	2,3,4	5-178X*	5-1350-1X* 5-1350X**	15-178X
	3500	Laramie Longhorn; 1 Piece Driveshaft; Dual Rear Wheels	I	5,6	5-3230X		
	3500	Laramie Longhorn; 1 Piece Driveshaft; Single Rear Wheels	I	5,6	5-3206X		
	3500	2 Piece Driveshaft	J	1	5-3212X		
	3500	2 Piece Driveshaft	J	2,3,4	5-178X*	5-1350-1X* 5-1350X**	15-178X
	3500	2 Piece Driveshaft; Dual Rear Wheels	J	5,6	5-3230X		
	3500	2 Piece Driveshaft; Single Rear Wheels	J	5,6	5-3206X		
	3500	L6 6.7L; Laramie; Cab & Chassis; 2 Piece Driveshaft; Dual Rear Wheels	J	7	5-3230X		
	3500	L6 6.7L; Laramie; Cab & Chassis; 2 Piece Driveshaft; Single Rear Wheels	J	7	5-3206X		
	3500	L6 6.7L; Laramie; Crew Cab; 2 Piece Driveshaft; Dual Rear Wheels	J	7	5-3230X		
	3500	L6 6.7L; Laramie; Crew Cab; 2 Piece Driveshaft; Single Rear Wheels	J	7	5-3206X		
	3500	L6 6.7L; Laramie; Extended Crew Cab; 2 Piece Driveshaft; Dual Rear Wheels	J	7	5-3230X		
	3500	L6 6.7L; Laramie; Extended Crew Cab; 2 Piece Driveshaft; Single Rear Wheels	J	7	5-3206X		
	3500	L6 6.7L; SLT; Cab & Chassis; 2 Piece Driveshaft; Dual Rear Wheels	J	7	5-3230X		

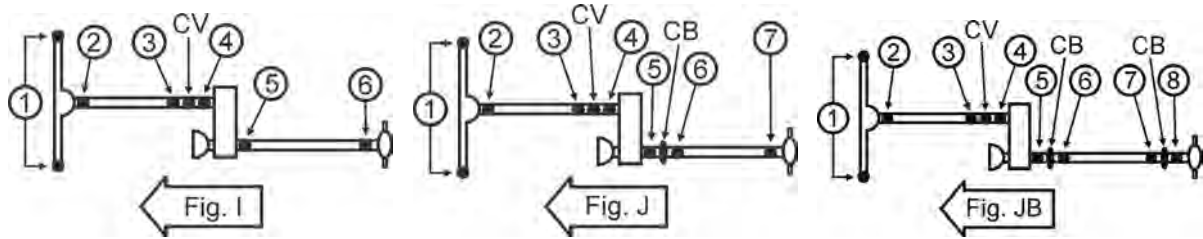
\* GREASEABLE \*\* NON-GREASEABLE

4  
W  
D

**Ram (Cont'd)**

Year	Model	Description	Fig.	Location	Spicer Part #	SPL Part #	SVL Part #
2012	3500	L6 6.7L; SLT; Cab & Chassis; 2 Piece Driveshaft; Single Rear Wheels	J	7	5-3206X		
	3500	L6 6.7L; SLT; Crew Cab; 2 Piece Driveshaft; Dual Rear Wheels	J	7	5-3230X		
	3500	L6 6.7L; SLT; Crew Cab; 2 Piece Driveshaft; Single Rear Wheels	J	7	5-3206X		
	3500	L6 6.7L; SLT; Extended Crew Cab; 2 Piece Driveshaft; Dual Rear Wheels	J	7	5-3230X		
	3500	L6 6.7L; SLT; Extended Crew Cab; 2 Piece Driveshaft; Single Rear Wheels	J	7	5-3206X		
	3500	L6 6.7L; SLT; Standard Cab; 2 Piece Driveshaft; Dual Rear Wheels	J	7	5-3230X		
	3500	L6 6.7L; SLT; Standard Cab; 2 Piece Driveshaft; Single Rear Wheels	J	7	5-3206X		
	3500	L6 6.7L; ST; Cab & Chassis; 2 Piece Driveshaft; Dual Rear Wheels	J	7	5-3230X		
	3500	L6 6.7L; ST; Cab & Chassis; 2 Piece Driveshaft; Single Rear Wheels	J	7	5-3206X		
	3500	L6 6.7L; ST; Crew Cab; 2 Piece Driveshaft; Dual Rear Wheels	J	7	5-3230X		
	3500	L6 6.7L; ST; Crew Cab; 2 Piece Driveshaft; Single Rear Wheels	J	7	5-3206X		
	3500	L6 6.7L; ST; Standard Cab; 2 Piece Driveshaft; Dual Rear Wheels	J	7	5-3230X		
	3500	L6 6.7L; ST; Standard Cab; 2 Piece Driveshaft; Single Rear Wheels	J	7	5-3206X		
	3500	Laramie Longhorn; 2 Piece Driveshaft; Dual Rear Wheels	J	7	5-3230X		
	3500	Laramie Longhorn; 2 Piece Driveshaft; Single Rear Wheels	J	7	5-3206X		
	3500	V8 5.7L; Laramie; 2 Piece Driveshaft; Dual Rear Wheels	J	7	5-3230X		
	3500	V8 5.7L; Laramie; 2 Piece Driveshaft; Single Rear Wheels	J	7	5-3206X		
	3500	V8 5.7L; SLT; 2 Piece Driveshaft; Dual Rear Wheels	J	7	5-3230X		
	3500	V8 5.7L; SLT; 2 Piece Driveshaft; Single Rear Wheels	J	7	5-3206X		
	3500	V8 5.7L; ST; 2 Piece Driveshaft; Dual Rear Wheels	J	7	5-3230X		
3500	V8 5.7L; ST; 2 Piece Driveshaft; Single Rear Wheels	J	7	5-3206X			
2013	3500	Exc. SXT; 1 Piece Driveshaft	I	1	5-3212X		
	3500	Exc. SXT; 1 Piece Driveshaft	I	2	5-160X*	5-1410-1X* 5-1410X**	15-160X
	3500	Exc. SXT; 1 Piece Driveshaft	I	5,6	5-155X*	SPL70-1X* SPL70X**	15-155X
	3500	Exc. SXT; 2 Piece Driveshaft	J	1	5-3212X		
	3500	Exc. SXT; 2 Piece Driveshaft	J	2	5-160X*	5-1410-1X* 5-1410X**	15-160X
	3500	Exc. SXT; 2 Piece Driveshaft	J	5,6,7	5-155X*	SPL70-1X* SPL70X**	15-155X
2014-2017	3500	Exc. ST; 1 Piece Driveshaft	I	1	5-3212X		
	3500	Exc. ST; 1 Piece Driveshaft	I	2	5-160X*	5-1410-1X* 5-1410X**	15-160X
	3500	Exc. ST; 1 Piece Driveshaft	I	5,6	5-155X*	SPL70-1X* SPL70X**	15-155X
	3500	Exc. ST; 2 Piece Driveshaft	J	1	5-3212X		
	3500	Exc. ST; 2 Piece Driveshaft	J	2	5-160X*	5-1410-1X* 5-1410X**	15-160X
	3500	Exc. ST; 2 Piece Driveshaft	J	5,6,7	5-155X*	SPL70-1X* SPL70X**	15-155X
2011	4500	1 Piece Driveshaft	I	5,6	5-155X*	SPL70-1X* SPL70X**	15-155X

\* GREASEABLE \*\* NON-GREASEABLE



**Ram (Cont'd)**

Year	Model	Description	Fig.	Location	Spicer Part #	SPL Part #	SVL Part #
2011	4500	3 Piece Driveshaft	JB	2,3,4	5-178X*	5-1350-1X* 5-1350X**	15-178X
	4500	3 Piece Driveshaft	JB	5,6,7,8	5-155X*	SPL70-1X* SPL70X**	15-155X
2011-2012	4500	1 Piece Driveshaft	I	2,3,4	5-178X*	5-1350-1X* 5-1350X**	15-178X
	4500	2 Piece Driveshaft	J	2,3,4	5-178X*	5-1350-1X* 5-1350X**	15-178X
2012	4500	1 Piece Driveshaft	I	5,6	5-3230X		
2014-2015	4500	Exc. ST; 1 Piece Driveshaft	I	1	5-3212X		
	4500	Exc. ST; 1 Piece Driveshaft	I	2	5-160X*	5-1410-1X* 5-1410X**	15-160X
	4500	Exc. ST; 1 Piece Driveshaft	I	5,6	5-155X*	SPL70-1X* SPL70X**	15-155X
	4500	Exc. ST; 2 Piece Driveshaft	J	1	5-3212X		
	4500	Exc. ST; 2 Piece Driveshaft	J	2	5-160X*	5-1410-1X* 5-1410X**	15-160X
	4500	Exc. ST; 2 Piece Driveshaft	J	5,6,7	5-155X*	SPL70-1X* SPL70X**	15-155X
2016-2017	4500	1 Piece Driveshaft	I	1	5-3212X		
	4500	1 Piece Driveshaft	I	2	5-160X*	5-1410-1X* 5-1410X**	15-160X
	4500	1 Piece Driveshaft	I	5,6	5-155X*	SPL70-1X* SPL70X**	15-155X
	4500	2 Piece Driveshaft	J	1	5-3212X		
	4500	2 Piece Driveshaft	J	2	5-160X*	5-1410-1X* 5-1410X**	15-160X
	4500	2 Piece Driveshaft	J	5,6,7	5-155X*	SPL70-1X* SPL70X**	15-155X
2011	5500	1 Piece Driveshaft	I	5,6	5-155X*	SPL70-1X* SPL70X**	15-155X
	5500	3 Piece Driveshaft	JB	2,3,4	5-178X*	5-1350-1X* 5-1350X**	15-178X
	5500	3 Piece Driveshaft	JB	5,6,7,8	5-155X*	SPL70-1X* SPL70X**	15-155X
2011-2012	5500	1 Piece Driveshaft	I	2,3,4	5-178X*	5-1350-1X* 5-1350X**	15-178X
	5500	2 Piece Driveshaft	J	2,3,4	5-178X*	5-1350-1X* 5-1350X**	15-178X
2012	5500	1 Piece Driveshaft	I	5,6	5-3230X		
2015	5500	Exc. ST; 1 Piece Driveshaft	I	1	5-3212X		
	5500	Exc. ST; 1 Piece Driveshaft	I	2	5-160X*	5-1410-1X* 5-1410X**	15-160X
	5500	Exc. ST; 1 Piece Driveshaft	I	5,6	5-155X*	SPL70-1X* SPL70X**	15-155X
	5500	Exc. ST; 2 Piece Driveshaft	J	1	5-3212X		
	5500	Exc. ST; 2 Piece Driveshaft	J	2	5-160X*	5-1410-1X* 5-1410X**	15-160X
	5500	Exc. ST; 2 Piece Driveshaft	J	5,6,7	5-155X*	SPL70-1X* SPL70X**	15-155X
2016-2017	5500	1 Piece Driveshaft	I	1	5-3212X		
	5500	1 Piece Driveshaft	I	2	5-160X*	5-1410-1X* 5-1410X**	15-160X

\* GREASEABLE \*\* NON-GREASEABLE

4  
W  
D

**Ram (Cont'd)**

Year	Model	Description	Fig.	Location	Spicer Part #	SPL Part #	SVL Part #
2016-2017	5500	1 Piece Driveshaft	I	5,6	5-155X*	SPL70-1X* SPL70X**	15-155X
	5500	2 Piece Driveshaft	J	1	5-3212X		
	5500	2 Piece Driveshaft	J	2	5-160X*	5-1410-1X* 5-1410X**	15-160X
	5500	2 Piece Driveshaft	J	5,6,7	5-155X*	SPL70-1X* SPL70X**	15-155X
2011	Dakota	1 Piece Driveshaft	AV	1	5-153X*	5-1310-1X* 5-1310X**	15-153X
	Dakota	1 Piece Driveshaft	AV	2,3	5-213X*	5-1330-1X* 5-1330X**	15-213X

**Saab**

Year	Model	Description	Fig.	Location	Spicer Part #	SPL Part #	SVL Part #
2005	9-7x	1 Piece Driveshaft	AV	1	5-3213X		
	9-7x	1 Piece Driveshaft	AV	2,3	5-3147X*	5-795X**	15-3147X
2006-2007	9-7x	1 Piece Driveshaft	AV	1,2,3	5-3147X*	5-795X**	15-3147X
2008-2009	9-7x	1 Piece Driveshaft	AV	1,2	5-3213X		
	9-7x	1 Piece Driveshaft	AV	3	5-178X*	5-1350-1X* 5-1350X**	15-178X

**Suzuki**

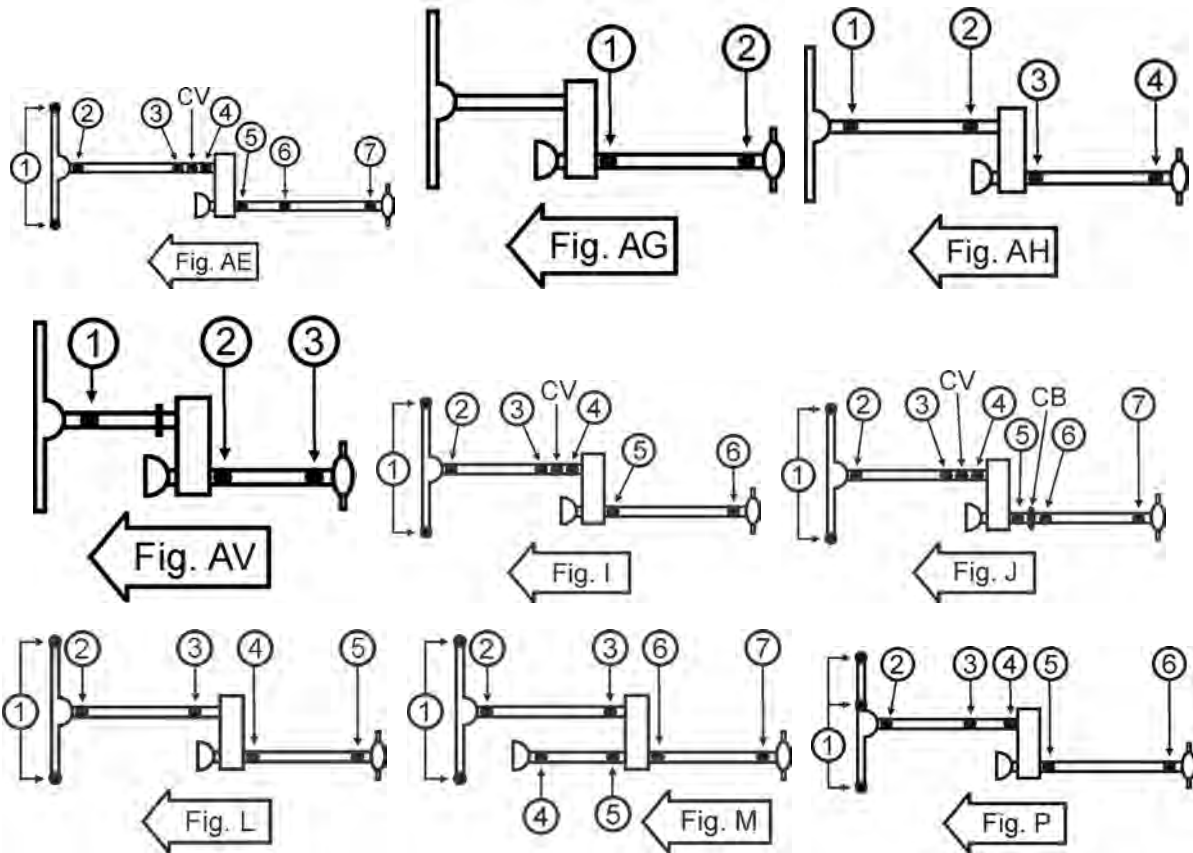
Year	Model	Description	Fig.	Location	Spicer Part #	SPL Part #	SVL Part #
2009-2012	Equator	1 Piece Driveshaft	P	2	5-153X*	5-1310-1X* 5-1310X**	15-153X
	Equator	1 Piece Driveshaft	P	3,4	5-213X*	5-1330-1X* 5-1330X**	15-213X
	Equator	1 Piece Driveshaft	P	5,6	5-153X*	5-1310-1X* 5-1310X**	15-153X
1999	Grand Vitara		L	2,3	5-1503X		
	Grand Vitara	Auto Trans	L	4,5	5-1503X		
	Grand Vitara	Standard Trans	L	4,5	5-3257X		
2000-2005	Grand Vitara	1 Piece Driveshaft	L	2,3	5-1503X		
	Grand Vitara	Auto Trans; 1 Piece Driveshaft	L	4,5	5-1503X		
	Grand Vitara	Standard Trans; 1 Piece Driveshaft	L	4,5	5-3257X		
2001	Grand Vitara	1 Piece Driveshaft	AH	3	5-3257X		
2006-2013	Grand Vitara	1 Piece Driveshaft	AG	1,2	5-3257X		
1985-1995	Samurai		M	2,3,4,5,6,7	5-1503X		
1989-1998	Sidekick		L	2,3,4,5	5-1503X		
1999	Vitara		L	2,3,4,5	5-1503X		
2000-2003	Vitara	1 Piece Driveshaft	L	2,3,4,5	5-1503X		
2004	Vitara	1 Piece Driveshaft	L	2,3	5-1503X		
	Vitara	Auto Trans; 1 Piece Driveshaft	L	4,5	5-1503X		
	Vitara	Standard Trans; 1 Piece Driveshaft	L	4,5	5-3257X		
2002-2006	XL-7	1 Piece Driveshaft	AH	1,2	5-1503X		
	XL-7	1 Piece Driveshaft	AH	3	5-3257X		

**Toyota**

Year	Model	Description	Fig.	Location	Spicer Part #	SPL Part #	SVL Part #
1984-1987	4Runner	1 Piece Driveshaft; w/ CV at Transfer Case	I	2	5-1510X*		
	4Runner	1 Piece Driveshaft; w/ CV at Transfer Case	I	3,4	5-3219-1X		
	4Runner	1 Piece Driveshaft; w/ CV at Transfer Case	I	5,6	5-1510X*		
	4Runner	2 Piece Driveshaft	J	2	5-1510X*		
	4Runner	2 Piece Driveshaft	J	3,4	5-3219-1X		
	4Runner	2 Piece Driveshaft	J	5,6,7	5-1510X*		
	4Runner	1 Piece Driveshaft; w/o CV at Transfer Case	L	2,3,4,5	5-1510X*		
1988-1999	4Runner		I	2,4,5,6	5-1510X*		
2000-2017	4Runner	1 Piece Driveshaft	L	2,3,4,5	5-1510X*		
2007-2014	FJ Cruiser	1 Piece Driveshaft	L	2,3,4,5	5-1510X*		

\* GREASEABLE \*\* NON-GREASEABLE





4  
W  
D

Toyota (Cont'd)

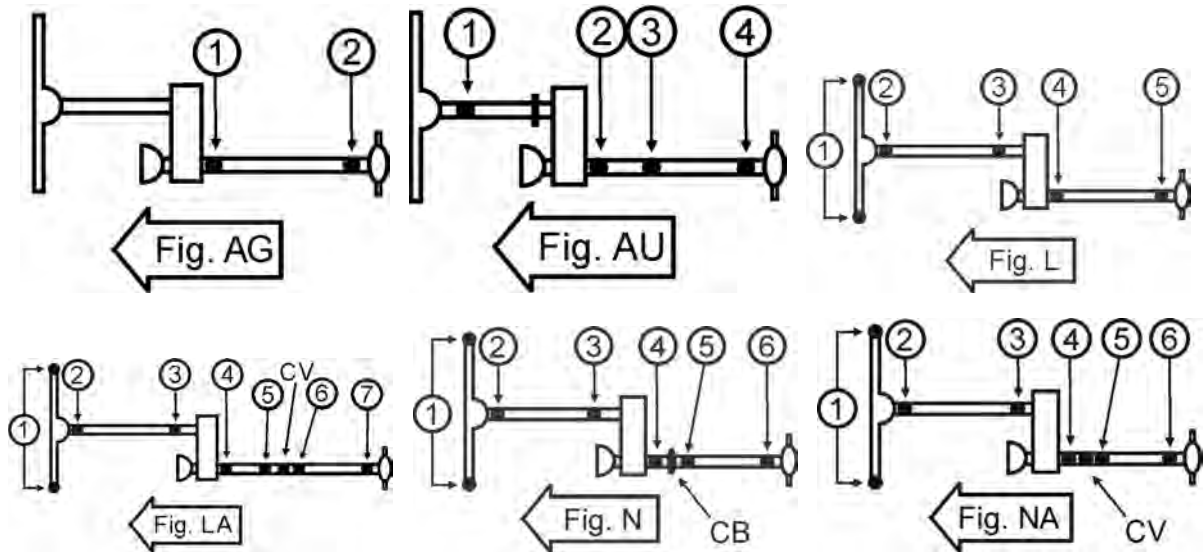
Year	Model	Description	Fig.	Location	Spicer Part #	SPL Part #	SVL Part #
1965-1976	Land Cruiser		M	2,3,4,5	5-3224X		
1977-1980	Land Cruiser		L	2,3,4,5	5-3221X		
1981-1990	Land Cruiser	w/ CV at Transfer Case	I	2,5,6	5-3221X		
	Land Cruiser	w/o CV at Transfer Case	L	2,3,4,5	5-3221X		
1991-1997	Land Cruiser	w/ CV at Transfer Case	I	5,6	5-3221X		
	Land Cruiser	w/o CV at Transfer Case	L	2,3	5-1510X*		
	Land Cruiser	w/o CV at Transfer Case	L	4,5	5-3221X		
1998-2002	Land Cruiser		L	4,5	5-1510X*		
2013-2015	Land Cruiser		L	2,3,4,5	5-1510X*		
2016-2017	Land Cruiser	1 Piece Driveshaft	L	2,3,4,5	5-1510X*		
	Pickup	2 Piece Driveshaft	AE	2	5-1510X*		
1979-1985	Pickup	2 Piece Driveshaft	AE	3,4	5-3219-1X		
	Pickup	2 Piece Driveshaft	AE	5,6,7	5-1510X*		
	Pickup	1 Piece Driveshaft	L	2,3,4,5	5-1510X*		
	Pickup	1 Piece Driveshaft	L	2	5-1510X*		
1986-1988	Pickup		L	3	5-3219-1X		
	Pickup		L	4,5	5-1510X*		
	Pickup		L	2	5-1510X*		

\* GREASEABLE \*\* NON-GREASEABLE

**Toyota (Cont'd)**

Year	Model	Description	Fig.	Location	Spicer Part #	SPL Part #	SVL Part #
1989-1995	Pickup		N	2	5-1510X*		
	Pickup		N	3	5-3219-1X		
	Pickup		N	4,6	5-1510X*		
	Pickup	Extended Cab; w/ Long Bed	N	5	5-3219-1X		
1991-1992	Previa	Automatic	L	3,4	5-1510X*		
2001-2004	Sequoia	1 Piece Driveshaft	L	2,3	5-153X*	5-1310-1X* 5-1310X**	15-153X
	Sequoia	1 Piece Driveshaft	L	4,5	5-1510X*		
2005-2007	Sequoia	1 Piece Driveshaft	L	4,5	5-3221X		
2008-2017	Sequoia	1 Piece Driveshaft	L	2,3	5-213X*	5-1330-1X* 5-1330X**	15-213X
	Sequoia	1 Piece Driveshaft	L	4,5	5-178X*	5-1350-1X* 5-1350X**	15-178X
1993-1998	T100		L	2,4,5	5-1510X*		
1995-1999	Tacoma		L	2,3	5-1510X*		
	Tacoma	Extended Cab	L	4	5-1510X*		
	Tacoma	Extended Cab; Standard Cab	L	5	5-1510X*		
2000	Tacoma	L4 2.7L; SR5; 1 Piece Driveshaft	NA	2,3,6	5-1510X*		
2000-2002	Tacoma	L4 2.7L; Base; 1 Piece Driveshaft	NA	2,3,6	5-1510X*		
2001-2003	Tacoma	V6 3.4L; Base; 2 Piece Driveshaft	LA	2,3,4,7	5-1510X*		
2003	Tacoma	L4 2.7L; Base; 2 Piece Driveshaft; Extra Cab	LA	2,3,4,7	5-1510X*		
	Tacoma	L4 2.7L; Base; Standard Cab; 1 Piece Driveshaft	NA	2,3,6	5-1510X*		
2004	Tacoma	L4 2.7L; 2 Piece Driveshaft; Extra Cab	LA	2,3,4,7	5-1510X*		
	Tacoma	V6 3.4L; 2 Piece Driveshaft	LA	2,3,4,7	5-1510X*		
	Tacoma	L4 2.7L; Standard Cab; 1 Piece Driveshaft	NA	2,3,6	5-1510X*		
2005-2014	Tacoma	V6 4.0L; 2 Piece Driveshaft	AU	2,3,4	5-213X*	5-1330-1X* 5-1330X**	15-213X
2009	Tacoma	L4 2.7L; 1 Piece Driveshaft	AG	1,2	5-213X*	5-1330-1X* 5-1330X**	15-213X
2010-2014	Tacoma	L4 2.7L; Standard Cab; 1 Piece Driveshaft	AG	1,2	5-213X*	5-1330-1X* 5-1330X**	15-213X
	Tacoma	L4 2.7L; Crew Cab; 2 Piece Driveshaft	AU	2,3,4	5-213X*	5-1330-1X* 5-1330X**	15-213X
	Tacoma	L4 2.7L; Extended Cab; 2 Piece Driveshaft	AU	2,3,4	5-213X*	5-1330-1X* 5-1330X**	15-213X
2015	Tacoma	2 Piece Driveshaft	AU	2,3,4	5-213X*	5-1330-1X* 5-1330X**	15-213X
2016-2017	Tacoma	V6 3.5L; 2 Piece Driveshaft	AU	2,3,4	5-178X*	5-1350-1X* 5-1350X**	15-178X
2000-2004	Tundra	2 Piece Driveshaft	LA	4,7	5-1510X*		
2000-2006	Tundra	2 Piece Driveshaft	LA	2,3	5-153X*	5-1310-1X* 5-1310X**	15-153X
2005	Tundra	2 Piece Driveshaft	LA	4	5-1510X*		
2005-2006	Tundra	V8 4.7L; 2 Piece Driveshaft	LA	4,7	5-1510X*		
2007-2009	Tundra	V8 4.7L; 1 Piece Driveshaft	L	4,5	5-178X*	5-1350-1X* 5-1350X**	15-178X
	Tundra	V8 5.7L; 1 Piece Driveshaft	L	4,5	5-178X*	5-1350-1X* 5-1350X**	15-178X
	Tundra	V8 4.7L; 2 Piece Driveshaft	N	4,5,6	5-178X*	5-1350-1X* 5-1350X**	15-178X
	Tundra	V8 5.7L; 2 Piece Driveshaft	N	4,5,6	5-178X*	5-1350-1X* 5-1350X**	15-178X
2012-2013	Tundra	V8 4.6L; Base; 1 Piece Driveshaft	L	2,3	5-213X*	5-1330-1X* 5-1330X**	15-213X
	Tundra	V8 5.7L; Base; Flex-Fuel-Fuel; 1 Piece Driveshaft	L	2,3	5-213X*	5-1330-1X* 5-1330X**	15-213X
	Tundra	V8 5.7L; Base; Gas; 1 Piece Driveshaft	L	2,3	5-213X*	5-1330-1X* 5-1330X**	15-213X
	Tundra	V8 4.6L; Base; 1 Piece Driveshaft	L	4,5	5-178X*	5-1350-1X* 5-1350X**	15-178X

\* GREASEABLE \*\* NON-GREASEABLE



**Toyota (Cont'd)**

Year	Model	Description	Fig.	Location	Spicer Part #	SPL Part #	SVL Part #
2012-2013	Tundra	V8 5.7L; Base; Flex-Fuel-Fuel; 1 Piece Driveshaft	L	4,5	5-178X*	5-1350-1X* 5-1350X**	15-178X
	Tundra	V8 5.7L; Base; Gas; 1 Piece Driveshaft	L	4,5	5-178X*	5-1350-1X* 5-1350X**	15-178X
	Tundra	V8 4.6L; Base; 2 Piece Driveshaft	N	2,3	5-213X*	5-1330-1X* 5-1330X**	15-213X
	Tundra	V8 5.7L; Base; Flex-Fuel-Fuel; 2 Piece Driveshaft	N	2,3	5-213X*	5-1330-1X* 5-1330X**	15-213X
	Tundra	V8 5.7L; Base; Gas; 2 Piece Driveshaft	N	2,3	5-213X*	5-1330-1X* 5-1330X**	15-213X
	Tundra	V8 4.6L; Base; 2 Piece Driveshaft	N	4,5,6	5-178X*	5-1350-1X* 5-1350X**	15-178X
	Tundra	V8 5.7L; Base; Flex-Fuel-Fuel; 2 Piece Driveshaft	N	4,5,6	5-178X*	5-1350-1X* 5-1350X**	15-178X
	Tundra	V8 5.7L; Base; Gas; 2 Piece Driveshaft	N	4,5,6	5-178X*	5-1350-1X* 5-1350X**	15-178X
2012-2015	Tundra	V8 5.7L; Limited; Flex-Fuel-Fuel; 1 Piece Driveshaft	L	2,3	5-213X*	5-1330-1X* 5-1330X**	15-213X
	Tundra	V8 5.7L; Limited; Gas; 1 Piece Driveshaft	L	2,3	5-213X*	5-1330-1X* 5-1330X**	15-213X
	Tundra	V8 5.7L; Limited; Flex-Fuel-Fuel; 1 Piece Driveshaft	L	4,5	5-178X*	5-1350-1X* 5-1350X**	15-178X
	Tundra	V8 5.7L; Limited; Gas; 1 Piece Driveshaft	L	4,5	5-178X*	5-1350-1X* 5-1350X**	15-178X
	Tundra	V8 5.7L; Limited; Flex-Fuel-Fuel; 2 Piece Driveshaft	N	2,3	5-213X*	5-1330-1X* 5-1330X**	15-213X
	Tundra	V8 5.7L; Limited; Gas; 2 Piece Driveshaft	N	2,3	5-213X*	5-1330-1X* 5-1330X**	15-213X
	Tundra	V8 5.7L; Limited; Flex-Fuel-Fuel; 2 Piece Driveshaft	N	4,5,6	5-178X*	5-1350-1X* 5-1350X**	15-178X
	Tundra	V8 5.7L; Limited; Gas; 2 Piece Driveshaft	N	4,5,6	5-178X*	5-1350-1X* 5-1350X**	15-178X
2013-2015	Tundra	V8 5.7L; Platinum; Flex-Fuel-Fuel; 1 Piece Driveshaft	L	2,3	5-213X*	5-1330-1X* 5-1330X**	15-213X
	Tundra	V8 5.7L; Platinum; Gas; 1 Piece Driveshaft	L	2,3	5-213X*	5-1330-1X* 5-1330X**	15-213X
	Tundra	V8 5.7L; Platinum; Flex-Fuel-Fuel; 1 Piece Driveshaft	L	4,5	5-178X*	5-1350-1X* 5-1350X**	15-178X
	Tundra	V8 5.7L; Platinum; Gas; 1 Piece Driveshaft	L	4,5	5-178X*	5-1350-1X* 5-1350X**	15-178X

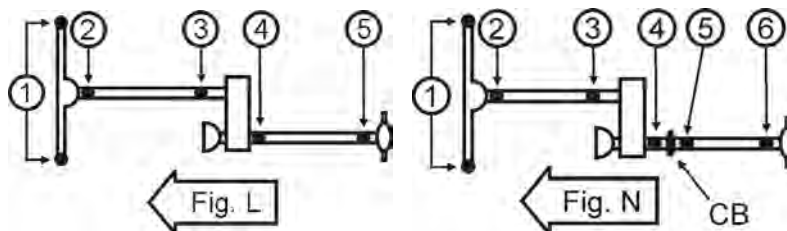
\* GREASEABLE \*\* NON-GREASEABLE

4WD

**Toyota (Cont'd)**

Year	Model	Description	Fig.	Location	Spicer Part #	SPL Part #	SVL Part #
2013-2015	Tundra	V8 5.7L; Platinum; Flex-Fuel-Fuel; 2 Piece Driveshaft	N	2,3	5-213X*	5-1330-1X* 5-1330X**	15-213X
	Tundra	V8 5.7L; Platinum; Gas; 2 Piece Driveshaft	N	2,3	5-213X*	5-1330-1X* 5-1330X**	15-213X
	Tundra	V8 5.7L; Platinum; Flex-Fuel-Fuel; 2 Piece Driveshaft	N	4,5,6	5-178X*	5-1350-1X* 5-1350X**	15-178X
	Tundra	V8 5.7L; Platinum; Gas; 2 Piece Driveshaft	N	4,5,6	5-178X*	5-1350-1X* 5-1350X**	15-178X
2014-2015	Tundra	V8 4.6L; 1 Piece Driveshaft	L	2,3	5-213X*	5-1330-1X* 5-1330X**	15-213X
	Tundra	V8 5.7L; 1794 Edition; Flex-Fuel-Fuel; 1 Piece Driveshaft	L	2,3	5-213X*	5-1330-1X* 5-1330X**	15-213X
	Tundra	V8 5.7L; 1794 Edition; Gas; 1 Piece Driveshaft	L	2,3	5-213X*	5-1330-1X* 5-1330X**	15-213X
	Tundra	V8 5.7L; SR; Flex-Fuel-Fuel; 1 Piece Driveshaft	L	2,3	5-213X*	5-1330-1X* 5-1330X**	15-213X
	Tundra	V8 5.7L; SR; Gas; 1 Piece Driveshaft	L	2,3	5-213X*	5-1330-1X* 5-1330X**	15-213X
	Tundra	V8 5.7L; SR5; Flex-Fuel-Fuel; 1 Piece Driveshaft	L	2,3	5-213X*	5-1330-1X* 5-1330X**	15-213X
	Tundra	V8 5.7L; SR5; Gas; 1 Piece Driveshaft	L	2,3	5-213X*	5-1330-1X* 5-1330X**	15-213X
	Tundra	V8 4.6L; 1 Piece Driveshaft	L	4,5	5-178X*	5-1350-1X* 5-1350X**	15-178X
	Tundra	V8 5.7L; 1794 Edition; Flex-Fuel-Fuel; 1 Piece Driveshaft	L	4,5	5-178X*	5-1350-1X* 5-1350X**	15-178X
	Tundra	V8 5.7L; 1794 Edition; Gas; 1 Piece Driveshaft	L	4,5	5-178X*	5-1350-1X* 5-1350X**	15-178X
	Tundra	V8 5.7L; SR; Flex-Fuel-Fuel; 1 Piece Driveshaft	L	4,5	5-178X*	5-1350-1X* 5-1350X**	15-178X
	Tundra	V8 5.7L; SR; Gas; 1 Piece Driveshaft	L	4,5	5-178X*	5-1350-1X* 5-1350X**	15-178X
	Tundra	V8 5.7L; SR5; Flex-Fuel-Fuel; 1 Piece Driveshaft	L	4,5	5-178X*	5-1350-1X* 5-1350X**	15-178X
	Tundra	V8 5.7L; SR5; Gas; 1 Piece Driveshaft	L	4,5	5-178X*	5-1350-1X* 5-1350X**	15-178X
	Tundra	V8 4.6L; 2 Piece Driveshaft	N	2,3	5-213X*	5-1330-1X* 5-1330X**	15-213X
	Tundra	V8 5.7L; 1794 Edition; Flex-Fuel-Fuel; 2 Piece Driveshaft	N	2,3	5-213X*	5-1330-1X* 5-1330X**	15-213X
	Tundra	V8 5.7L; 1794 Edition; Gas; 2 Piece Driveshaft	N	2,3	5-213X*	5-1330-1X* 5-1330X**	15-213X
	Tundra	V8 5.7L; SR; Flex-Fuel-Fuel; 2 Piece Driveshaft	N	2,3	5-213X*	5-1330-1X* 5-1330X**	15-213X
	Tundra	V8 5.7L; SR; Gas; 2 Piece Driveshaft	N	2,3	5-213X*	5-1330-1X* 5-1330X**	15-213X
	Tundra	V8 5.7L; SR5; Flex-Fuel-Fuel; 2 Piece Driveshaft	N	2,3	5-213X*	5-1330-1X* 5-1330X**	15-213X
	Tundra	V8 5.7L; SR5; Gas; 2 Piece Driveshaft	N	2,3	5-213X*	5-1330-1X* 5-1330X**	15-213X
	Tundra	V8 4.6L; 2 Piece Driveshaft	N	4,5,6	5-178X*	5-1350-1X* 5-1350X**	15-178X
	Tundra	V8 5.7L; 1794 Edition; Flex-Fuel-Fuel; 2 Piece Driveshaft	N	4,5,6	5-178X*	5-1350-1X* 5-1350X**	15-178X
	Tundra	V8 5.7L; 1794 Edition; Gas; 2 Piece Driveshaft	N	4,5,6	5-178X*	5-1350-1X* 5-1350X**	15-178X
	Tundra	V8 5.7L; SR; Flex-Fuel-Fuel; 2 Piece Driveshaft	N	4,5,6	5-178X*	5-1350-1X* 5-1350X**	15-178X
	Tundra	V8 5.7L; SR; Gas; 2 Piece Driveshaft	N	4,5,6	5-178X*	5-1350-1X* 5-1350X**	15-178X
	Tundra	V8 5.7L; SR5; Flex-Fuel-Fuel; 2 Piece Driveshaft	N	4,5,6	5-178X*	5-1350-1X* 5-1350X**	15-178X
	Tundra	V8 5.7L; SR5; Gas; 2 Piece Driveshaft	N	4,5,6	5-178X*	5-1350-1X* 5-1350X**	15-178X

\* GREASEABLE \*\* NON-GREASEABLE

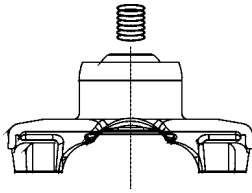


Toyota (Cont'd)

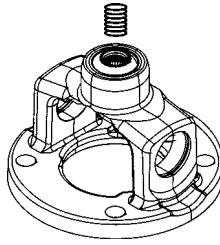
Year	Model	Description	Fig.	Location	Spicer Part #	SPL Part #	SVL Part #
2015	Tundra	V8 5.7L; TRD Pro; Flex-Fuel-Fuel; 1 Piece Driveshaft	L	2,3	5-213X*	5-1330-1X* 5-1330X**	15-213X
	Tundra	V8 5.7L; TRD Pro; Gas; 1 Piece Driveshaft	L	2,3	5-213X*	5-1330-1X* 5-1330X**	15-213X
	Tundra	V8 5.7L; TRD Pro; Flex-Fuel-Fuel; 1 Piece Driveshaft	L	4,5	5-178X*	5-1350-1X* 5-1350X**	15-178X
	Tundra	V8 5.7L; TRD Pro; Gas; 1 Piece Driveshaft	L	4,5	5-178X*	5-1350-1X* 5-1350X**	15-178X
	Tundra	V8 5.7L; TRD Pro; Flex-Fuel-Fuel; 2 Piece Driveshaft	N	2,3	5-213X*	5-1330-1X* 5-1330X**	15-213X
	Tundra	V8 5.7L; TRD Pro; Gas; 2 Piece Driveshaft	N	2,3	5-213X*	5-1330-1X* 5-1330X**	15-213X
	Tundra	V8 5.7L; TRD Pro; Flex-Fuel-Fuel; 2 Piece Driveshaft	N	4,5,6	5-178X*	5-1350-1X* 5-1350X**	15-178X
	Tundra	V8 5.7L; TRD Pro; Gas; 2 Piece Driveshaft	N	4,5,6	5-178X*	5-1350-1X* 5-1350X**	15-178X
2016-2017	Tundra	1 Piece Driveshaft	L	2,3	5-213X*	5-1330-1X* 5-1330X**	15-213X
	Tundra	1 Piece Driveshaft	L	4,5	5-178X*	5-1350-1X* 5-1350X**	15-178X
	Tundra	2 Piece Driveshaft	N	2,3	5-213X*	5-1330-1X* 5-1330X**	15-213X
	Tundra	2 Piece Driveshaft	N	4,5,6	5-178X*	5-1350-1X* 5-1350X**	15-178X

\* GREASEABLE \*\* NON-GREASEABLE

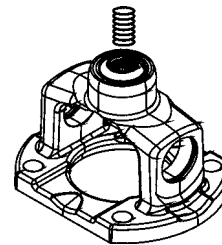
4  
W  
D



**Figure 1**



**Figure 2**



**Figure 3**

**CHEVROLET**

Year	Model	Note(s)	Figure	Spicer Part #
1947-1951	Taxi		1	211355X
1947-1951	Station Wagon		1	211355X
1962-1974	Aerobus		1	211355X

**CHEVROLET**

Year	Model	Note(s)	Figure	Spicer Part #
1975 -1976	K10		1	211355X
1977-1978	K10	w/ outside snap rings	1	211355X
1967-1974	K10 Pickup		1	211355X
1968-1976	K10 Suburban		1	211355X
1977 -1978	K10 Suburban	2 joint driveshaft; w/ outside snap rings	1	211355X
1977 -1978	K10 Suburban	3 joint driveshaft; w/ outside snap rings	1	211355X
1977-1978	K20	w/ outside snap rings	1	211355X
1967-1974	K20 Pickup		1	211355X
1975-1977	K5 Blazer	4WD	1	211355X
1978	K5 Blazer	4WD; w/ outside snap rings	1	211355X
1979	K30		1	211355X

**DODGE**

Year	Model	Note(s)	Figure	Spicer Part #
1988-1999	Dakota	4WD	1	211355X
1974-1977	Ramcharger	4WD; w/ outside snap rings	1	211355X
1975-1977	W100	w/ outside snap rings	1	211355X
1977	W150	w/ outside snap rings	1	211355X
1975-1977	W200	2 joint driveshaft; w/ outside snap rings	1	211355X
1975-1977	W300	2 joint driveshaft; w/ outside snap rings	1	211355X
1975-1977	W300	3 joint driveshaft; w/ outside snap rings	1	211355X

**FORD**

Year	Model	Note(s)	Figure	Spicer Part #
1966-1970	Bronco	4WD; to serial # G70, 001	1	211355X
1970-1974	Bronco	4WD; from serial # G70, 001	1	211355X
1975-1977	Bronco	From serial # G70, 001	1	211355X
1978	Bronco		1	211355X
1979	Bronco	1.062" and 1.125" bearing cap diameter	1	211179X
1980-1981	Bronco		1	211179X
1982-1986	Bronco	3 joint driveshaft	1	211179X
1987	Bronco	w/ outside snap rings; w/ Cleveland steel	1	211179X
1988-1989	Bronco	Automatic trans	1	211179X
1988-1989	Bronco	Standard trans; 4-Speed; exc. overdrive	1	211179X
1984	Bronco II		1	211342X
1975-1976	F-100	Full time 4WD	1	211355X
1976-1978	F-150	Full time 4WD; w/ 3.875" outside yoke	1	211355X
1979	F-150	Full time 4WD; part time 4WD	1	211179X
1975-1977	F-250	Full time 4WD	1	211355X
1978	F-250	Full time 4WD; part time 4WD	1	211355X
1979	F-250	Full time 4WD; 1.062" and 1.125" bearing cap diameter	1	211179X
1979	F-250	Part time 4WD	1	211179X
1979	F-350	Full time 4WD; part time 4WD	1	211179X
1983-1985	Ranger	4WD; 108.0" wheelbase; 72.0" bed length	1	211342X
1980-1982	Thunderbird		3	211229X

Note: Individual components not sold separately.

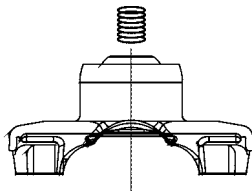


Figure 1

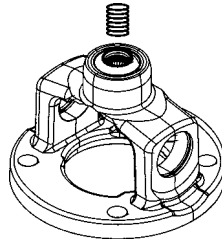


Figure 2

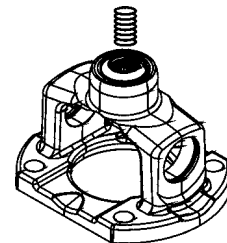


Figure 3

## GMC

Year	Model	Note(s)	Figure	Spicer Part #
1978	Jimmy	4WD; w/ outside snap rings	1	211355X
1970-1977	Jimmy	4WD	1	211355X
1975-1976	K15		1	211355X
1977-1978	K15	w/ outside snap rings	1	211355X
1967-1974	K15/K1500 Pickup		1	211355X
1967-1974	K15/K1500 Suburban		1	211355X
1975-1976	K15 Suburban		1	211355X
1977-1978	K15 Suburban	w/ outside snap rings	1	211355X
1975-1976	K25		1	211355X
1977-1978	K25	2 joint driveshaft; w/ outside snap rings	1	211355X
1977-1978	K25	3 joint driveshaft; w/ outside snap rings	1	211355X
1967-1974	K25/K2500 Pickup		1	211355X
1979	K3500		1	211355X

## JEEP

Year	Model	Note(s)	Figure	Spicer Part #
1974	Cherokee		1	211355X
1981-1983	Cherokee		1	211355X
1986-1987	Cherokee	4WD; HD	1	211355X
1988-1993	Cherokee	4WD	1	211355X
1979-1981	CJ5		1	211355X
1979-1981	CJ7		1	211355X
1986-1987	Comanche	4WD; HD	1	211355X
1988-1992	Comanche	4WD	1	211355X
1993	Grand Cherokee	4WD	1	211355X
1984-1991	Grand Wagoneer		1	211355X
1982-1988	J10		1	211355X
1979-1988	J20		1	211355X
1981	Scrambler		1	211355X
1978-1983	Wagoneer		1	211355X
1986-1987	Wagoneer	HD	1	211355X
1988	Wagoneer		1	211355X
1989	Wagoneer	4WD	1	211355X
1990	Wagoneer		1	211355X

## LINCOLN

Year	Model	Note(s)	Figure	Spicer Part #
1982-1983	Continental		3	211229X
1979	Versailles	w/ 3.469" outside yoke	2	211198X
1980	Versailles		2	211198X

## MERCURY

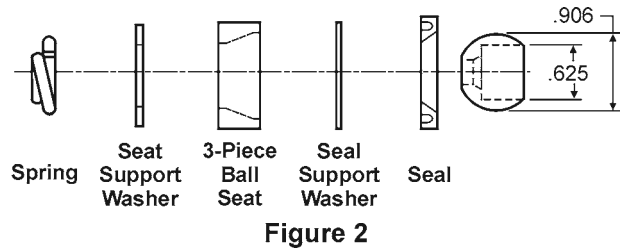
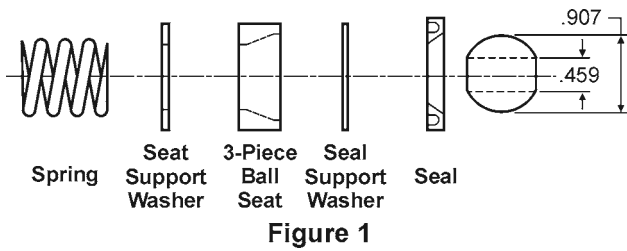
Year	Model	Note(s)	Figure	Spicer Part #
1980-1982	Cougar		3	211229X

## PLYMOUTH

Year	Model	Note(s)	Figure	Spicer Part #
1974-1977	Trailduster	4WD; w/ outside snap rings	1	211355X

Note: Individual components not sold separately.

For more information on Spicer products, visit [SpicerParts.com](http://SpicerParts.com). For our e-catalog and parts locator, visit [DanaAftermarket.com](http://DanaAftermarket.com).



**BUICK**

Year	Model	Note(s)	Figure	Part #
1979	Century	3 joint driveshaft	1	211009X
1961-1963	Electra	Exc. wagon; w/ inside snap rings	2	211011X
1964-1965	Electra	Exc. wagon	2	211011X
1973-1974	Electra	Exc. wagon	1	211009X
1975-1981	Electra	3 joint driveshaft	1	211009X
1961-1963	LeSabre	Exc. wagon; w/ inside snap rings	2	211011X
1964-1965	LeSabre	Exc. wagon	2	211011X
1973-1974	LeSabre	Exc. wagon	1	211009X
1975-1981	LeSabre	3 joint driveshaft	1	211009X
1979	Regal	3 joint driveshaft	1	211009X
1964-1970	Riviera		2	211011X
1973-1978	Riviera		1	211009X
1962-1963	Wildcat	w/ inside snap rings	2	211011X
1964-1965	Wildcat		2	211011X

**CADILLAC**

Year	Model	Note(s)	Figure	Part #
1991-1992	Brougham	3.73 gear ratio; armored body	1	211009X
1963-1967	Commercial Chassis		2	211011X
1973-1979	Commercial Chassis		1	211009X
1980-1984	Commercial Chassis		1	211009X
1992-1996	Commercial Chassis	3.73 gear ratio; armored body	1	211009X
1965-1967	Fleetwood	Exc. 75 series; 4-joint driveshaft	2	211011X
1965-1967	Fleetwood	75 series	2	211011X
1965-1967	Fleetwood	Exc. 75 series; 3 joint driveshaft	2	211011X
1973-1979	Fleetwood	75 series	1	211009X
1973-1979	Fleetwood	Exc. 75 series	1	211009X
1980-1984	Fleetwood		1	211009X
1993-1996	Fleetwood	3.73 gear ratio; armored body	1	211009X
1963-1964	Series 75 Fleetwood		2	211011X

**CHEVROLET**

Year	Model	Note(s)	Figure	Part #
1973-1975	Bel Air	Exc. wagon; w/ inside snap rings	1	211009X
1987-1991	Blazer		1	211009X
1973-1976	Caprice	Exc. wagon; w/ inside snap rings	1	211009X
1979	Caprice		1	211009X
1973-1976	Impala	Exc. wagon; w/ inside snap rings	1	211009X
1979	Impala		1	211009X
1977-1978	K10	w/ inside snap rings	1	211009X
1979-1986	K10		1	211009X
1977-1978	K10 Suburban	2 joint driveshaft; w/ inside snap rings	1	211009X
1977-1978	K10 Suburban	3 joint driveshaft; w/ inside snap rings	1	211009X
1979-1981	K10 Suburban	2 joint driveshaft	1	211009X
1979-1981	K10 Suburban	3 joint driveshaft	1	211009X

Note: Individual components not sold separately.



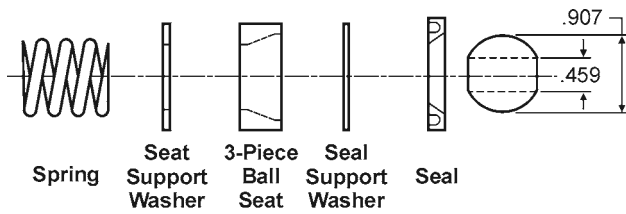


Figure 1

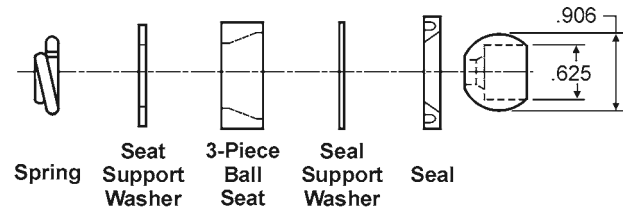


Figure 2

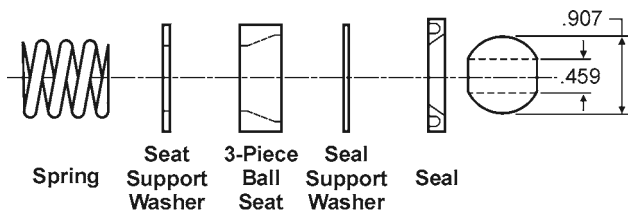
## CHEVROLET (CONTINUED)

Year	Model	Note(s)	Figure	Part #
1982-1986	K10 Suburban		1	211009X
1977-1978	K20	w/ inside snap rings	1	211009X
1979-1986	K20		1	211009X
1980-1986	K30	4WD; 2 joint driveshaft	1	211009X
1980-1986	K30	4WD; 3 joint driveshaft	1	211009X
1978	K5 Blazer	4WD; w/ inside snap rings	1	211009X
1979-1984	K5 Blazer	4WD	1	211009X
1985-1986	K5 Blazer		1	211009X
1987	V10		1	211009X
1987-1988	V10 Suburban		1	211009X
1989-1991	V1500 Suburban		1	211009X
1987-1988	V20 Suburban		1	211009X
1989-1991	V2500 Suburban		1	211009X
1987-1988	V30	2 joint driveshaft	1	211009X
1987-1988	V30	3 joint driveshaft	1	211009X
1989-1991	V3500	2 joint driveshaft	1	211009X
1989-1990	V3500	3 joint driveshaft	1	211009X

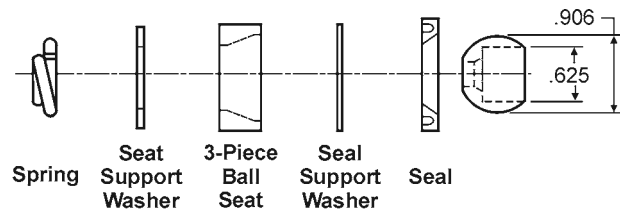
## DODGE

Year	Model	Note(s)	Figure	Part #
1978-1993	Ramcharger	4WD	1	211009X
1974-1977	Ramcharger	4WD; w/ inside snap rings	1	211009X
1975-1977	W100	w/ inside snap rings	1	211009X
1986-1988	W100	2 joint driveshaft	1	211009X
1986-1988	W100	3 joint driveshaft	1	211009X
1989	W100	2 joint driveshaft; w/ 7290 series	1	211009X
1989	W100	3 joint driveshaft; w/ 7290 series	1	211009X
1977	W150	w/ inside snap rings	1	211009X
1978-1988	W150	2 joint driveshaft	1	211009X
1978-1988	W150	3 joint driveshaft	1	211009X
1989-1993	W150	2 joint driveshaft; w/ 7290 series	1	211009X
1989-1993	W150	3 joint driveshaft; w/ 7290 series	1	211009X
1975-1977	W200	2 joint driveshaft; w/ inside snap rings	1	211009X
1978-1980	W200	2 joint driveshaft	1	211009X
1978-1980	W200	3 joint driveshaft	1	211009X
1981	W250	2 joint driveshaft	1	211009X
1981	W250	3 joint driveshaft	1	211009X
1982-1988	W250		1	211009X
1989-1993	W250	2 joint driveshaft; w/ 7290 series	1	211009X
1989-1993	W250	3 joint driveshaft; w/ 7290 series	1	211009X
1975-1977	W300	2 joint driveshaft; w/ inside snap rings	1	211009X
1975-1977	W300	3 joint driveshaft; w/ inside snap rings	1	211009X
1978-1980	W300	2 joint driveshaft	1	211009X
1978-1980	W300	3 joint driveshaft	1	211009X
1981-1993	W350	2 joint driveshaft	1	211009X
1981-1993	W350	3 joint driveshaft	1	211009X

Note: Individual components not sold separately.



**Figure 1**



**Figure 2**

**GMC**

Year	Model	Note(s)	Figure	Part #
1978	Jimmy	4WD; w/ inside snap rings	1	211009X
1979-1984	Jimmy	4WD	1	211009X
1985-1986	Jimmy		1	211009X
1977-1978	K15	3 joint driveshaft	1	211009X
1977-1978	K15 Suburban	3 joint driveshaft	1	211009X
1979-1981	K1500	2 joint driveshaft; w/ inside snap rings	1	211009X
1979-1981	K1500	3 joint driveshaft; w/ inside snap rings	1	211009X
1982-1986	K1500		1	211009X
1982-1986	K1500 Suburban		1	211009X
1979-1981	K1500 Suburban	w/ inside snap rings	1	211009X
1977-1978	K25	2 joint driveshaft; w/ inside snap rings	1	211009X
1977-1978	K25	3 joint driveshaft; w/ inside snap rings	1	211009X
1979-1981	K2500	2 joint driveshaft	1	211009X
1979-1981	K2500	3 joint driveshaft	1	211009X
1982-1986	K2500		1	211009X
1980-1986	K3500	2 joint driveshaft	1	211009X
1980-1986	K3500	3 joint driveshaft	1	211009X
1987-1991	V1500 Suburban		1	211009X
1987-1991	V3500	2 joint driveshaft	1	211009X
1987-1991	V3500	3 joint driveshaft	1	211009X

**LINCOLN**

Year	Model	Note(s)	Figure	Part #
1977	Continental	From 5/1/77	1	211009X
1978-1979	Continental		1	211009X

**OLDSMOBILE**

Year	Model	Note(s)	Figure	Part #
1973-1978	98	Exc. wagon	1	211009X
1979	98	3 joint driveshaft	1	211009X
1973-1978	Delta 88	Royale	1	211009X
1979	Delta 88	3 joint driveshaft; Royale	1	211009X

**PLYMOUTH**

Year	Model	Note(s)	Figure	Part #
1974-1977	Trailduster	4WD; w/ inside snap rings	1	211009X
1978-1981	Trailduster	4WD	1	211009X

**PONTIAC**

Year	Model	Note(s)	Figure	Part #
1973-1978	Bonneville	Exc. wagon	1	211009X
1979	Bonneville	3 joint driveshaft	1	211009X
1973-1978	Catalina	Exc. wagon	1	211009X
1979	Catalina	3 joint driveshaft	1	211009X
1973-1975	Grandville	Exc. wagon	1	211009X

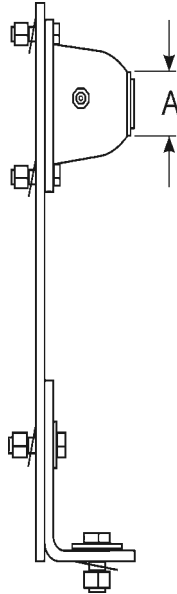
\* Part has been discontinued † Part is available until supply is exhausted ‡ Not sold separately

# Center Bearings by Bearing ID



Bearing I.D.	Style	Spicer Part #	Center to Center of Mounting Holes	Bracket Width
0.750	1	210330-1X*	~	~
0.875	1	210330-2X*	~	~
1.000	1	210330-4X*	~	~
1.181	7	211872-1X	5.880	1.390
1.181	8	212165-1X*	6.890	1.570
1.181	8	5009385*	6.890	1.570
1.181	8	5009385-1	6.890	1.570
1.181	32	211019-1XV	7.520	1.575
1.181	8	212166-1X	6.890	1.570
1.181	12	5016911	5.906	2.244
1.181	9	212244-1X	3.937	~
1.181	10	210527X	1.500	3.000
1.181	10	210527XV	1.500	3.000
1.181	11	211590-1X	5.880	1.310
1.181	12	5002007	5.906	2.244
1.181	12	5002334	5.906	2.362
1.181	2	212187-1X	3.700	1.181
1.181	3	211406X*	~	~
1.181	3	211514X	~	~
1.181	4	211502X*	~	~
1.181	5	211589-1X*	3.700	~
1.181	6	211750-1X	5.910	~
1.181	35	211020-1XV	7.346	1.898
1.250	1	210330-6X†	~	~
1.259	12	211571X*	5.880	1.420
1.260	11	211431X*	5.880	1.450
1.375	14	5001874	6.625	~
1.375	33	211015-1XV	6.622	1.472
1.378	15	210088-1XV	6.620	1.520
1.378	11	211175X	6.620	1.520
1.378	11	211175XV	6.620	1.520
1.378	11	211193X†	6.620	1.726
1.378	11	211819-1X*	6.620	1.520
1.378	13	211985X*	6.620	1.520
1.378	14	212088-1X*	6.625	~
1.378	15	5015387	6.620	1.520
1.378	15	210088-1X	6.620	1.520
1.378	15	210090-1X	6.620	1.520
1.375	15	211275X†	6.620	1.520
1.378	15	210367-1X	6.620	1.520
1.378	15	210370-1X	6.620	1.520
1.378	15	211212X	6.620	1.520
1.378	15	211415X	6.620	1.520
1.378	14	211018-1XV	6.625	1.472
1.574	11	211499X	6.620	1.520
1.574	11	211500X	6.620	1.726
1.574	11	211748-3X*	6.620	1.520
1.574	11	212053-1X	6.620	1.520
1.574	12	5017406	6.622	1.586
1.574	13	5003684	6.620	1.520
1.574	13	5017283	6.620	1.520
1.574	15	210866-1X	6.620	1.520
1.574	15	210866-1XV	6.620	1.520
1.574	15	210873-1X	6.620	1.520
1.574	15	211260X	6.620	1.520
1.574	15	5008025*	6.620	1.520
1.574	15	211359X	6.620	1.520
1.574	15	211379X	6.620	1.520
1.574	15	211735-3X	6.620	1.520
1.574	15	211793-1X	6.620	1.520
1.574	15	212093-1XV	6.620	1.520
1.574	16	211848-1X	3.380	1.500
1.574	16	211848-1XV	3.380	1.500
1.574	16	211963-1X	3.380	1.500

Bearing I.D.	Style	Spicer Part #	Center to Center of Mounting Holes	Bracket Width
1.574	17	212028-1X	6.620	1.520
1.574	18	212032-1X	6.620	1.520
1.574	19	5002103	6.693	1.520
1.574	19	5016003	6.693	1.520
1.574	19	212030-1X	6.620	1.520
1.574	19	212030-1XV	6.620	1.520
1.574	19	212031-1X	6.620	1.520
1.574	19	212031X*	6.620	1.520
1.574	19	212258-1X	6.700	1.520
1.574	19	212276-1X	6.620	1.520
1.574	20	210140-1X*	6.620	2.000
1.574	20	210144-1X*	6.620	2.000
1.574	20	210391-1X	6.620	2.000
1.574	20	210391-1XV	6.620	2.000
1.574	20	211098-1X†	6.620	2.000
1.574	20	210433-1X	6.620	2.000
1.574	20	210433-1XV	6.620	2.000
1.574	20	211037-1X	6.620	2.000
1.574	20	211605-1X	6.620	2.030
1.574	27	5017405	6.622	0.992
1.574	27	5009792*	6.622	0.992
1.574	27	5017404*	6.622	0.992
1.574	27	5017407	6.622	0.992
1.574	27	5017410	6.622	0.992
1.574	27	5017950	6.622	0.992
1.574	27	5012704-1X	6.622	0.992
1.574	28	212144-1X	6.620	1.520
1.574	7	10001752	6.533	2.850
1.574	20	210979X*	6.620	2.000
1.574	14	211016-1XV	6.625	1.472
1.750	21	211304X*	~	~
1.771	20	210084-2X	7.620	2.250
1.771	20	210084-2XV	7.620	2.250
1.771	20	210207-1X	7.620	2.250
1.771	20	210207-1XV	7.620	2.250
1.771	20	210969-1X	7.620	2.250
1.771	20	211172-1X	7.620	2.250
1.771	22	212134-1X	7.622	2.250
1.771	22	212135-1X	7.622	2.689
1.771	22	212261-1X	7.622	2.250
1.771	23	212145-1X	7.620	2.250
1.772	34	211017-1XV	6.638	2.038
1.968	20	210881-1X	7.620	2.250
1.968	20	211625-1X	7.620	2.250
1.968	22	212142-1X	7.620	2.250
1.968	23	212153-1X*	7.620	2.250
1.968	24	212156-1X	7.620	2.250
1.968	20	210121-1X	7.620	2.250
1.968	20	210121-1XV	7.620	2.250
1.968	20	210323-1X	7.620	2.250
2.000	29	612824000	7.250	5.000
2.362	25	5003323	8.622	2.917
2.362	25	5003326	8.622	2.917
2.362	25	5003628	8.622	2.917
2.362	26	210661-1X*	8.620	2.530
2.362	26	210661-1XV	8.620	2.530
2.362	26	210875-1X*	8.620	2.530
2.362	26	210989-1X*	8.620	2.530
2.362	26	212066-1X*	8.620	2.530
2.362	26	210875-1XV	8.620	2.530
2.437	30	232373	7.385	2.380
2.559	31	212265X	5.125	3.860
2.756	25	5019571†	8.622	2.917
2.756	25	350CB0001X	8.622	2.917
1.574	7	5023815	6.533	2.850



**STYLE 1**

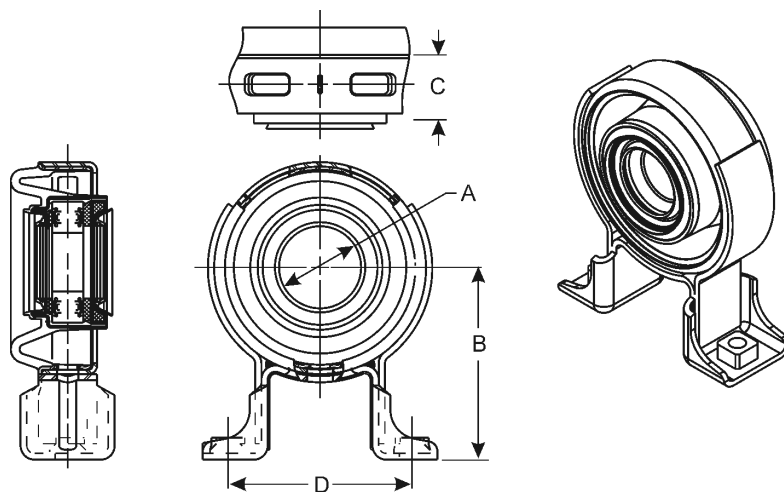
Parts not sold separately—shown for informational purposes only.

Center Bearing Assembly Part #	B Centerline to Mounting Surface	C Bracket Width	Center Bearing Major Parts			Front Slinger Part #	Rear Slinger Part #	Retainers		Notes
			Bracket Part #	Rubber Cushion Part #	Bearing and Retainer Assembly			Bottom	Top	
<b>A = 0.750 Bearing I.D.</b>										
210330-1X*	Max. 8"	~	230512	~	230514-1	~	~	~	~	PTO adjustable bearing hanger, variable centerline to mounting surface, max. 8"
			230513							
<b>A = 0.875 Bearing I.D.</b>										
210330-2X*	Max. 8"	~	230512	~	230514-2	~	~	~	~	PTO adjustable bearing hanger, variable centerline to mounting surface, max. 8"
			230513							
<b>A = 1.000 Bearing I.D.</b>										
210330-4X*	Max. 8"	~	230512	~	230514-4	~	~	~	~	PTO adjustable bearing hanger, variable centerline to mounting surface, max. 8"
			230513							
<b>A = 1.250 Bearing I.D.</b>										
210330-6X†	Max. 8"	~	230512	~	230514-6	~	~	~	~	PTO adjustable bearing hanger, variable centerline to mounting surface, max. 8"
			230513							

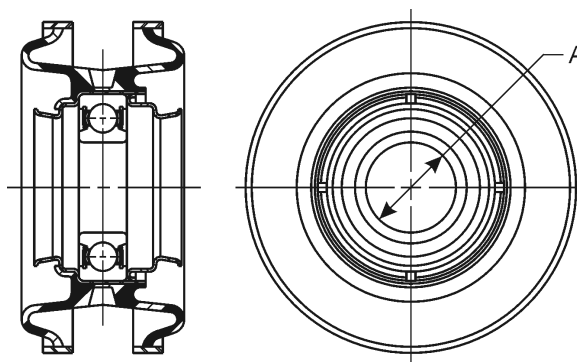


**IMPORTANT:** See Safety Information in General Information Section.

\* Part has been discontinued    † Part is available until supply is exhausted    ‡ Not sold separately



STYLE 2		Parts not sold separately—shown for informational purposes only.								
Center Bearing Assembly Part #	B	C	Center Bearing Major Parts			Front Slinger Part #	Rear Slinger Part #	Retainers		Notes
	Centerline to Mounting Surface	Bracket Width	Bracket Part #	Rubber Cushion Part #	Bearing and Retainer Assembly			Bottom	Top	
A = 1.181 Bearing I.D.		D = 3.700		Bolt Hole/Stud Size = M12 X 1.75TH (nut)						
212187-1X	3.976	1.181	~	~	~	~	~	~	~	(2) nuts attached to bracket

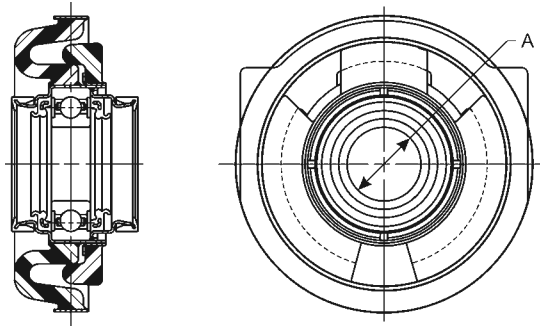


STYLE 3		Parts not sold separately—shown for informational purposes only.								
Center Bearing Assembly Part #	B	C	Center Bearing Major Parts			Front Slinger Part #	Rear Slinger Part #	Retainers		Notes
	Centerline to Mounting Surface	Bracket Width	Bracket Part #	Rubber Cushion Part #	Bearing and Retainer Assembly			Bottom	Top	
A = 1.181 Bearing I.D.										
211406X*	~	~	~	231653	580914-2	231563	~	~	~	211406X was replaced by 211514X
211514X	~	~	~	231653	580914-2	231563	~	~	~	Has the 211406X included, with washer 230123-12 and nut 231781



**IMPORTANT:** See Safety Information in General Information Section.

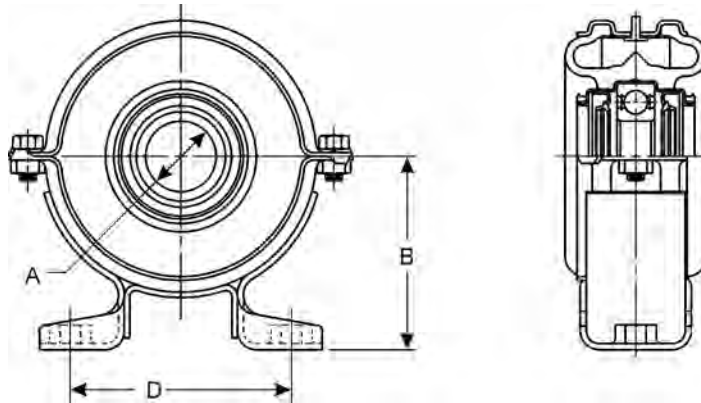
\* Part has been discontinued    † Part is available until supply is exhausted    ‡ Not sold separately



**STYLE 4**

Parts not sold separately—shown for informational purposes only.

Center Bearing Assembly Part #	B Centerline to Mounting Surface	C Bracket Width	Center Bearing Major Parts			Front Slinger Part #	Rear Slinger Part #	Retainers		Notes
			Bracket Part #	Rubber Cushion Part #	Bearing and Retainer Assembly			Bottom	Top	
A = 1.181 Bearing I.D.										
211502X*	~	~	~	231855	580914-3	~	231563	~	~	No bracket, dust cap 231811



**STYLE 5**

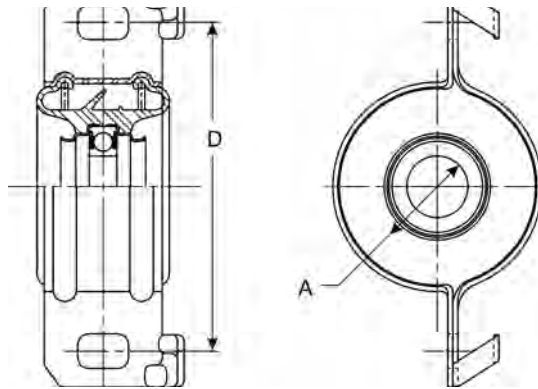
Parts not sold separately—shown for informational purposes only.

Center Bearing Assembly Part #	B Centerline to Mounting Surface	C Bracket Width	Center Bearing Major Parts			Front Slinger Part #	Rear Slinger Part #	Retainers		Notes
			Bracket Part #	Rubber Cushion Part #	Bearing and Retainer Assembly			Bottom	Top	
A = 1.181 Bearing I.D.      D = 3.700 Threaded Hole										
211589-1X*	3.230	~	~	~	~	~	~	~	~	(2) nuts attached to bracket

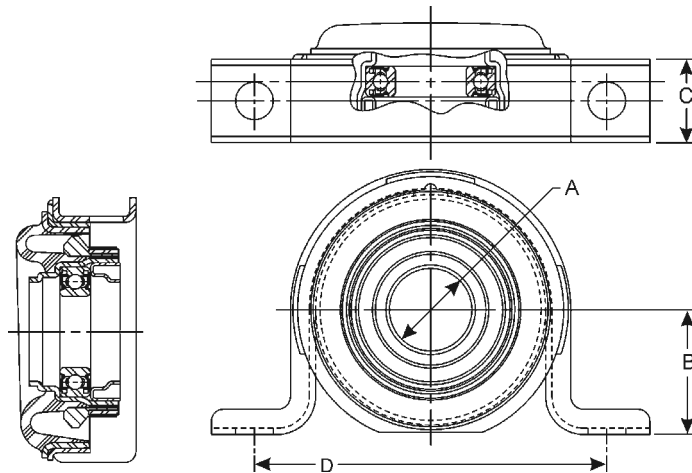


**IMPORTANT:** See Safety Information in General Information Section.

\* Part has been discontinued    † Part is available until supply is exhausted    ‡ Not sold separately



STYLE 6										
Parts not sold separately—shown for informational purposes only.										
Center Bearing Assembly Part #	B Centerline to Mounting Surface	C Bracket Width	Center Bearing Major Parts			Front Slinger Part #	Rear Slinger Part #	Retainers		Notes
			Bracket Part #	Rubber Cushion Part #	Bearing and Retainer Assembly			Bottom	Top	
	A = 1.181 Bearing I.D.	D = 5.910								
211750-1X	~	~	~	~	~	~	~	~	~	

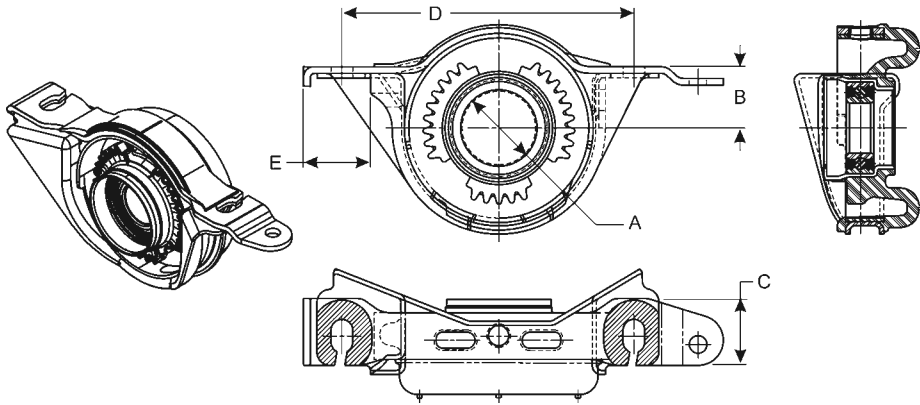


STYLE 7										
Parts not sold separately—shown for informational purposes only.										
Center Bearing Assembly Part #	B Centerline to Mounting Surface	C Bracket Width	Center Bearing Major Parts			Front Slinger Part #	Rear Slinger Part #	Retainers		Notes
			Bracket Part #	Rubber Cushion Part #	Bearing and Retainer Assembly			Bottom	Top	
	A = 1.181 Bearing I.D.	D = 5.880	Bolt Hole/Stud Size = 0.630 (H)							
211872-1X	2.080	1.390	211976X	211983X	580921	~	~	~	~	232520 retainer lock
	A = 1.574 Bearing I.D.	D = 6.533	Bolt Hole/Stud Size = 0.504 x 0.661 (H)							
10001752	2.752	2.850	~	~	~	~	~	~	~	10017996 boot can
5023815	2.752	2.850	~	~	~	~	~	~	~	



IMPORTANT: See Safety Information in General Information Section.

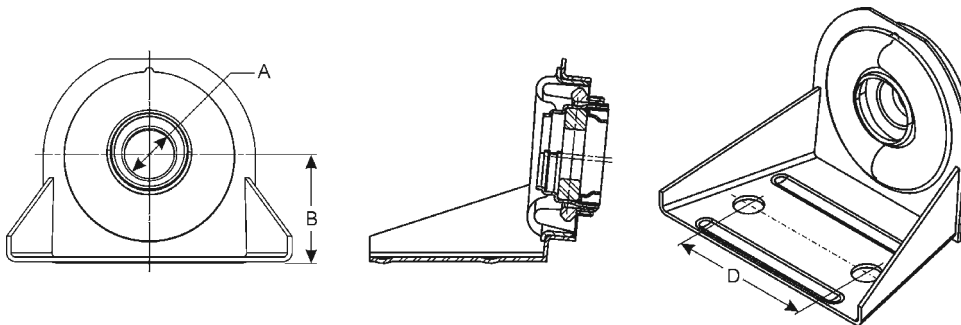
\* Part has been discontinued † Part is available until supply is exhausted ‡ Not sold separately



**STYLE 8**

Parts not sold separately—shown for informational purposes only.

Center Bearing Assembly Part #	B Centerline to Mounting Surface	C Bracket Width	Center Bearing Major Parts			Front Slinger Part #	Rear Slinger Part #	Retainers		Notes
			Bracket Part #	Rubber Cushion Part #	Bearing and Retainer Assembly			Bottom	Top	
A = 1.181 Bearing I.D.      D = 6.890      Bolt Hole/Stud Size = 0.787 X 0.512 (H)										
212166-1X	1.440	1.570	~	212164X	580931	~	~	~	~	E = 1.693
212165-1X*	1.440	1.570	~	212163X	580931	~	~	~	~	E = 2.087; 212165-1X was replaced by 5009385-1
5009385*	1.440	1.570	~	5009383	580931	~	~	~	~	E = 2.087; 5009385 was replaced by 5009385-1
5009385-1	1.440	1.570	~	5009383	580931	~	~	~	~	E = 2.087



**STYLE 9**

Parts not sold separately—shown for informational purposes only.

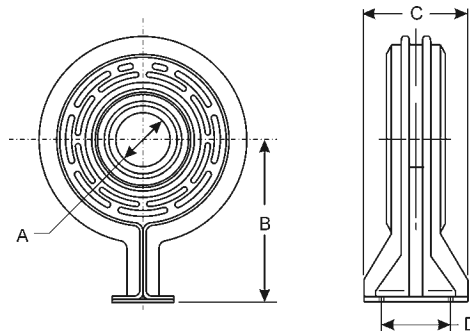
Center Bearing Assembly Part #	B Centerline to Mounting Surface	C Bracket Width	Center Bearing Major Parts			Front Slinger Part #	Rear Slinger Part #	Retainers		Notes
			Bracket Part #	Rubber Cushion Part #	Bearing and Retainer Assembly			Bottom	Top	
A = 1.181 Bearing I.D.      D = 3.937      Bolt Hole/Stud Size = 0.750 (H)										
212244-1X	2.480	~	233031	211983X	580921-1	~	~	232520	~	



**IMPORTANT:** See Safety Information in General Information Section.

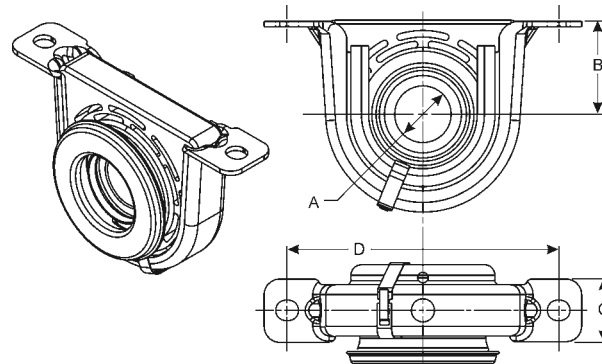
\* Part has been discontinued    † Part is available until supply is exhausted    ‡ Not sold separately





## STYLE 10

Center Bearing Assembly Part #	B Centerline to Mounting Surface	C Bracket Width	Center Bearing Major Parts						Retainers		Notes
			Bracket Part #	Rubber Cushion Part #	Bearing and Retainer Assembly	Front Slinger Part #	Rear Slinger Part #	Bottom	Top		
										Parts not sold separately—shown for informational purposes only.	
A = 1.181 Bearing I.D.		D = 1.500 (2) Threaded Holes									
210527X	3.560	3.000	210580X	550735	230318	~	~	~	~		
210527XV	3.560	3.000	~	~	~	~	~	~	~	SVL by Dana	



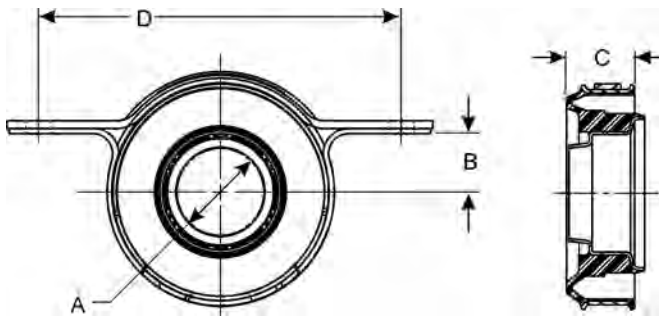
## STYLE 11

Center Bearing Assembly Part #	B Centerline to Mounting Surface	C Bracket Width	Center Bearing Major Parts						Retainers		Notes
			Bracket Part #	Rubber Cushion Part #	Bearing and Retainer Assembly	Front Slinger Part #	Rear Slinger Part #	Bottom	Top		
										Parts not sold separately—shown for informational purposes only.	
A = 1.181 Bearing I.D.		D = 5.880		Bolt Hole/Stud Size = 0.630 (H)							
211590-1X	1.310	1.310	5007512	231695	211554X	231696	~	3-95-139	~		
A = 1.260 Bearing I.D.		D = 5.880		Bolt Hole/Stud Size = 0.630 (H)							
211431X*	1.940	1.450	231694	231695	211409-1X	231696	~	3-95-139	~		
A = 1.378 Bearing I.D.		D = 6.620		Bolt Hole/Stud Size = 0.560 (H)							
211175X	2.250	1.520	231285	231212	210086X	231286	231256	3-95-99	~		
211175XV	2.250	1.520	~	~	~	231286	231256	3-95-99	~	SVL by Dana	
211193X†	2.250	1.520	231285	231212	210086X	~	~	3-95-99	~	Not sold separately, use 211175X	
211819-1X*	2.250	1.520	231285	232181	210086-3X	231286	231256	3-95-99	~		
A = 1.574 Bearing I.D.		D = 6.620		Bolt Hole/Stud Size = 0.560 (H)							
211499X	2.250	1.520	231285	231212	210865-1X	231286	231834	3-95-99	~		
211500X	2.250	1.726	231285	231212	210865-1X	~	~	3-95-99	~		
211748-3X*	2.250	1.520	231285	232181	210865-1X	231286	231834	3-95-99	~		
212053-1X	2.250	1.520	231285	231212	210865-1X	231286	~	3-95-99	~		



IMPORTANT: See Safety Information in General Information Section.

\* Part has been discontinued    † Part is available until supply is exhausted    ‡ Not sold separately



**STYLE 12**

Parts not sold separately—shown for informational purposes only.

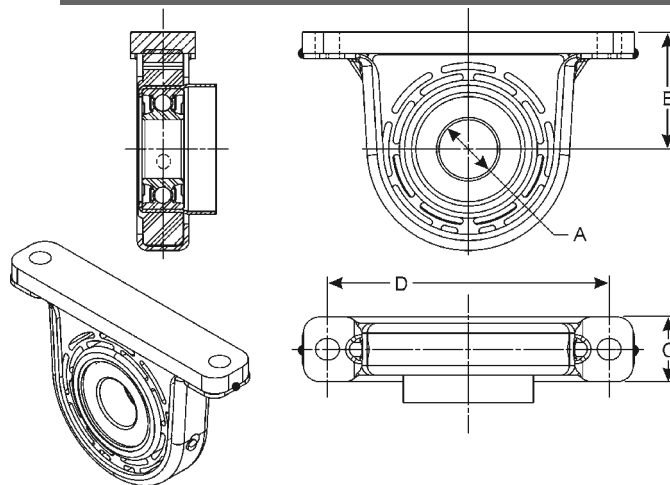
Center Bearing Assembly Part #	B Centerline to Mounting Surface	C Bracket Width	Center Bearing Major Parts			Front Slinger Part #	Rear Slinger Part #	Retainers		Notes
			Bracket Part #	Rubber Cushion Part #	Bearing and Retainer Assembly			Bottom	Top	
	A = 1.181 Bearing I.D.	D = 5.906	Bolt Hole/Stud Size = 1.201 X 0.551 (H)							
5002007	0.244	2.244	~	~	~	~	~	~	~	
	A = 1.181 Bearing I.D.	D = 5.906	Bolt Hole/Stud Size = 1.201 X 0.539 (H)							
5002334	0.244	2.362	~	~	~	~	~	~	~	
	A = 1.181 Bearing I.D.	D = 5.906	Bolt Hole/Stud Size = 1.732 x 0.551 (H)							
5016911	1.136	2.244	~	~	~	~	~	~	~	
	A = 1.259 Bearing I.D.	D = 5.880	Bolt Hole/Stud Size = 0.500 (H)							
211571X*	1.690	1.420	211478-1X	580917	231000	231596	~	~	~	
	A = 1.574 Bearing I.D.	D = 6.622	Bolt Hole/Stud Size = 0.503 X 0.559 (H)							
5017406	1.472	1.586	5014397	~	5016002	~	231000	~	~	



**IMPORTANT:** See Safety Information in General Information Section.

\* Part has been discontinued    † Part is available until supply is exhausted    ‡ Not sold separately

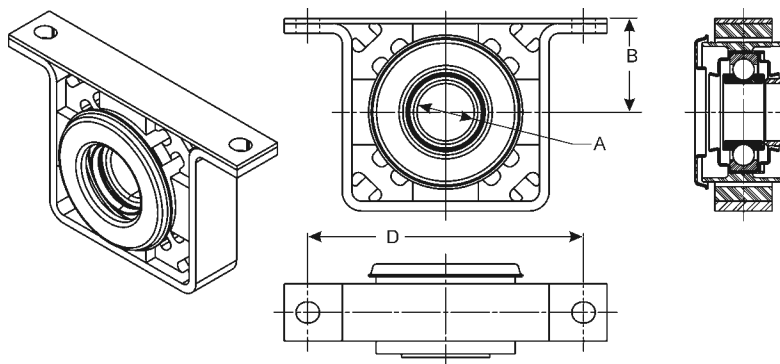
# Center Bearing Detail



## STYLE 13

Parts not sold separately—shown for informational purposes only.

Center Bearing Assembly Part #	B Centerline to Mounting Surface	C Bracket Width	Center Bearing Major Parts			Front Slinger Part #	Rear Slinger Part #	Retainers		Notes
			Bracket Part #	Rubber Cushion Part #	Bearing and Retainer Assembly			Bottom	Top	
A = 1.378 Bearing I.D.		D = 6.620		Bolt Hole/Stud Size = 0.560 (H)						
211985X*	2.750	1.520	231247	232615	580923	~	~	~	~	Restricted to Ford; has a 1/2" spacer attached to bracket, rubber cushion w/canister
A = 1.574 Bearing I.D.		D = 6.620		Bolt Hole/Stud Size = 0.560 (H)						
5003684	2.750	1.520	231247	212027X	580924	~	~	~	~	Has a 1/2" spacer attached to bracket, rubber cushion w/canister; less boot can
A = 1.574 Bearing I.D.		D = 6.620		Bolt Hole/Stud Size = 0.503 X 0.559 (H)						
5017283	2.750	1.520	231247	212027X	5016002	~	231000	~	~	Has a 1/2" spacer attached to bracket



## STYLE 14

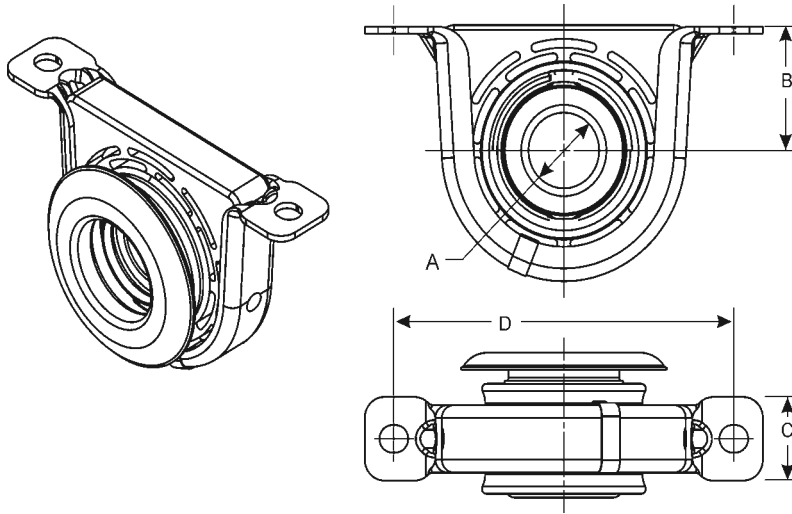
Parts not sold separately—shown for informational purposes only.

Center Bearing Assembly Part #	B Centerline to Mounting Surface	C Bracket Width	Center Bearing Major Parts			Front Slinger Part #	Rear Slinger Part #	Retainers		Notes
			Bracket Part #	Rubber Cushion Part #	Bearing and Retainer Assembly			Bottom	Top	
A = 1.378 Bearing I.D.		D = 6.625		Bolt Hole/Stud Size = 0.560 (H)						
212088-1X*	2.250	~	212087X	231286	231256	~	~	~	~	Square bracket w/thin plate
A = 1.378 Bearing I.D.		D = 6.625		Bolt Hole/Stud Size = 0.512 x 0.570 (H)						
211018-1XV	2.252	1.472	~	~	~	~	~	~	~	
A = 1.375 Bearing I.D.		D = 6.625		Bolt Hole/Stud Size = 1.142 X 0.503 (H)						
5001874	2.250	~	~	~	~	231286	231256	~	~	Square bracket w/thin plate
A = 1.574 Bearing I.D.		D = 6.625		Bolt Hole/Stud Size = 0.512 x 0.570 (H)						
211016-1XV	2.252	1.472	~	~	~	~	~	~	~	



IMPORTANT: See Safety Information in General Information Section.

\* Part has been discontinued † Part is available until supply is exhausted ‡ Not sold separately



**STYLE 15**

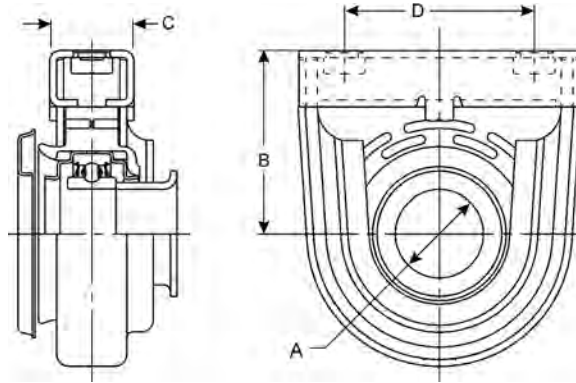
Parts not sold separately—shown for informational purposes only.

Center Bearing Assembly Part #	B Centerline to Mounting Surface	C Bracket Width	Center Bearing Major Parts			Front Slinger Part #	Rear Slinger Part #	Retainers		Notes
			Bracket Part #	Rubber Cushion Part #	Bearing and Retainer Assembly			Bottom	Top	
A = 1.378 Bearing I.D.			D = 6.620			Bolt Hole/Stud Size = 0.503 X 0.559 (H)				
5015387	2.250	1.520	231247	232165	210086X	230118	230118	~	3-95-139	
A = 1.378 Bearing I.D.			D = 6.620			Bolt Hole/Stud Size = 0.560 (H)				
210088-1X	2.250	1.520	231247	230119-1	210086X	230118	230121	3-95-139	~	
210090-1X	2.250	1.520	231247	230119-1	210086X	230118	230118	3-95-139	~	
211212X	2.250	1.520	231247	230119-1	210086X	~	~	3-95-139	~	
211275X†	2.250	1.520	231247	230119-1	210086X	~	~	3-95-139	~	Not sold separately, use 210367-1X or 210370-1X
210367-1X	2.250	1.520	231247	230119-1	210228X	230982	98-1473	3-95-139	~	
210370-1X	2.250	1.520	231247	230119-1	210228X	230982	230104	3-95-139	~	Has 98-1473 shield
211415X	2.250	1.520	231247	231709	211414X	231286	230121	3-95-139	~	
210088-1XV	2.250	1.520	~	~	~	~	~	~	~	
A = 1.574 Bearing I.D.			D = 6.620			Bolt Hole/Stud Size = 0.560 (H)				
210866-1X	2.250	1.520	231247	230119-1	210865-1X	231004	231000	3-95-139	~	
210866-1XV	2.250	1.520	~	~	~	231004	231000	3-95-139	~	SVL by Dana
210873-1X	2.250	1.520	231247	230119-1	210865-1X	231004	231004	3-95-139	~	
211260X	2.250	1.520	231247	230119-1	210865-1X	~	~	3-95-139	~	
5008025*	2.250	1.520	231247	231212	210865-1X	~	231000	3-95-139	~	5008025 was replaced by 211359X
211359X	2.250	1.520	231247	231212	210865-1X	231286	231000	3-95-139	~	
211379X	2.250	1.520	231247	231212	210865-1X	~	~	3-95-139	~	
211735-3X	2.250	1.520	231247	232165	210865-1X	231286	231000	3-95-139	~	
211793-1X	2.250	1.520	231247	230119-1	210865-1X	231286	231000	3-95-139	~	
211793-1XV	2.250	1.520	~	~	~	231286	231000	~	~	
212093-1XV	2.250	1.520	~	~	~	~	~	~	~	SVL by Dana



**IMPORTANT:** See Safety Information in General Information Section.

\* Part has been discontinued    † Part is available until supply is exhausted    ‡ Not sold separately



## STYLE 16

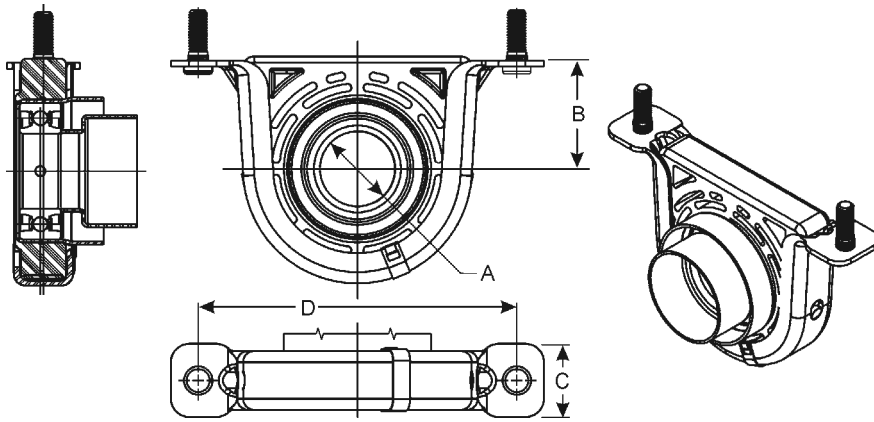
Parts not sold separately—shown for informational purposes only.

Center Bearing Assembly Part #	B Centerline to Mounting Surface	C Bracket Width	Center Bearing Major Parts			Front Slinger Part #	Rear Slinger Part #	Retainers		Notes
			Bracket Part #	Rubber Cushion Part #	Bearing and Retainer Assembly			Bottom	Top	
A = 1.574 Bearing I.D.		D = 3.380		Bolt Hole/Stud Size = 0.437 X 14TH (nut)						
211848-1X	3.250	1.500	232465	231212	210865-1X	231286	232662	~	~	Nuts are incorporated in bracket
211848-1XV	3.250	1.500	~	~	~	231286	232662	~	~	SVL by Dana
A = 1.574 Bearing I.D.		D = 3.380		Bolt Hole/Stud Size = M10 X 1.5TH (nut)						
211963-1X	3.250	1.500	232683	231212	210865-1X	231286	232662	~	~	Nuts are incorporated in bracket



IMPORTANT: See Safety Information in General Information Section.

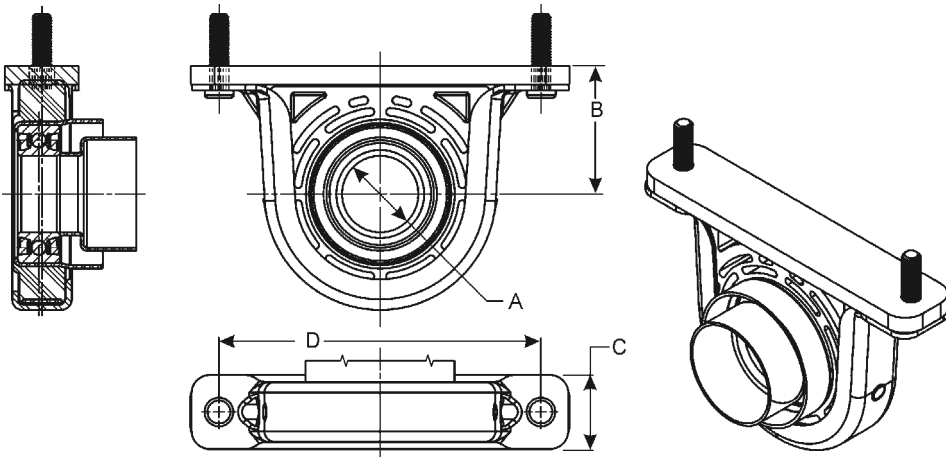
\* Part has been discontinued    † Part is available until supply is exhausted    ‡ Not sold separately



**STYLE 17**

Parts not sold separately—shown for informational purposes only.

Center Bearing Assembly Part #	B Centerline to Mounting Surface	C Bracket Width	Center Bearing Major Parts			Front Slinger Part #	Rear Slinger Part #	Retainers		Notes
			Bracket Part #	Rubber Cushion Part #	Bearing and Retainer Assembly			Bottom	Top	
A = 1.574 Bearing I.D.      D = 6.620      Bolt Hole/Stud Size = M10 X 1.5TH (stud)										
212028-1X	2.250	1.520	232820	212027X	580924	~	~	3-95-139	~	Rubber cushion w/canister studs in bracket; 232817 boot can



**STYLE 18**

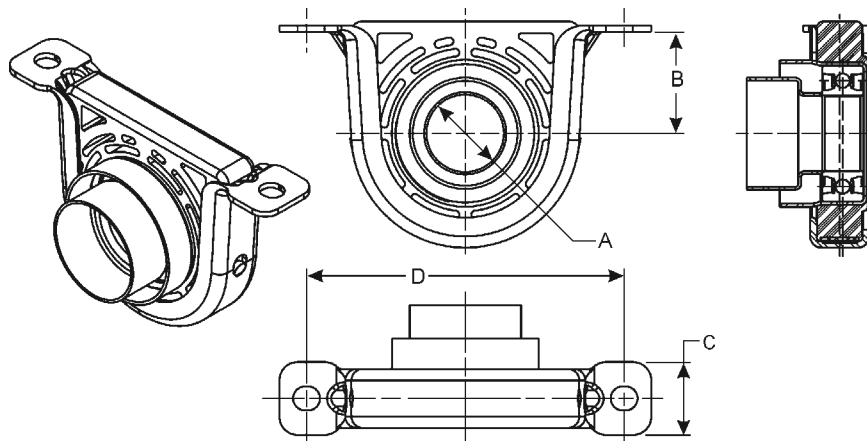
Parts not sold separately—shown for informational purposes only.

Center Bearing Assembly Part #	B Centerline to Mounting Surface	C Bracket Width	Center Bearing Major Parts			Front Slinger Part #	Rear Slinger Part #	Retainers		Notes
			Bracket Part #	Rubber Cushion Part #	Bearing and Retainer Assembly			Bottom	Top	
A = 1.574 Bearing I.D.      D = 6.620      Bolt Hole/Stud Size = M10 - 1.50TH (stud)										
212032-1X	2.630	1.520	232820	212027X	580924	~	~	~	~	Has a 0.380" spacer, rubber cushion w/canister, studs in bracket; 232817 boot can



**IMPORTANT:** See Safety Information in General Information Section.

\* Part has been discontinued    † Part is available until supply is exhausted    ‡ Not sold separately



## STYLE 19

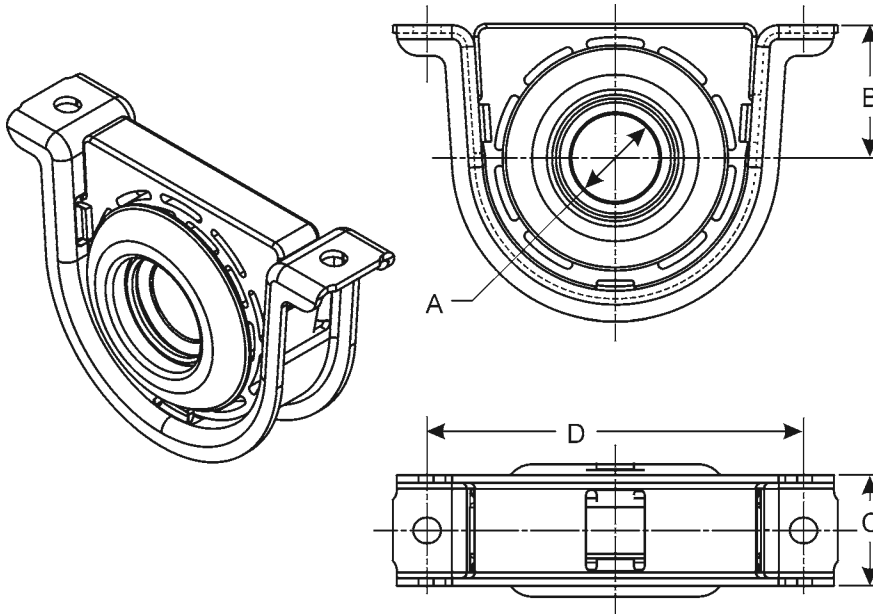
Parts not sold separately—shown for informational purposes only.

Center Bearing Assembly Part #	B Centerline to Mounting Surface	C Bracket Width	Center Bearing Major Parts			Front Slinger Part #	Rear Slinger Part #	Retainers		Notes
			Bracket Part #	Rubber Cushion Part #	Bearing and Retainer Assembly			Bottom	Top	
A = 1.574 Bearing I.D.		D = 6.620		Bolt Hole/Stud Size = 0.560 (H)						
212030-1X	2.250	1.520	231247	212027X	580924	~	~	~	~	Rubber cushion w/canister; 232817 boot can
212030-1XV	2.250	1.520	~	~	~	~	~	~	~	SVL by Dana, 232817 boot can
212276-1X	2.250	1.520	231247	212027X	580924	231286	231000	~	~	No boot can used
A = 1.574 Bearing I.D.		D = 6.620		Bolt Hole/Stud Size = 1.180 X 0.430 (H)						
212031X*	2.250	1.520	232824	212027X	580924	~	~	~	~	Rubber cushion w/canister; less boot can; 212031X was replaced by 212031-1X
212031-1X	2.250	1.520	232824	212027X	580924	~	~	~	~	Rubber cushion w/canister; 232817 boot can
A = 1.574 Bearing I.D.		D = 6.693		Bolt Hole/Stud Size = 0.413 (H)						
5002103	2.250	1.520	233052	212027X	580924	~	~	~	~	Rubber cushion w/canister; 232817 boot can
5016003	2.250	1.520	233052	212027X	5016002	~	~	~	~	Rubber cushion w/canister; 232817 boot can
A = 1.574 Bearing I.D.		D = 6.700		Bolt Hole/Stud Size = 0.470 (H)						
212258-1X	2.250	1.520	233052	5001377	580924	~	~	~	~	Rubber cushion w/canister; 232817 boot can



IMPORTANT: See Safety Information in General Information Section.

\* Part has been discontinued † Part is available until supply is exhausted ‡ Not sold separately



**STYLE 20**

Parts not sold separately—shown for informational purposes only.

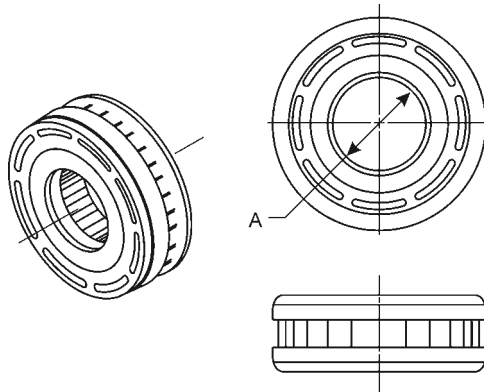
Center Bearing Assembly Part #	B Centerline to Mounting Surface	C Bracket Width	Center Bearing Major Parts			Front Slinger Part #	Rear Slinger Part #	Retainers		Notes
			Bracket Part #	Rubber Cushion Part #	Bearing and Retainer Assembly			Bottom	Top	
A = 1.574 Bearing I.D.		D = 6.620		Bolt Hole/Stud Size = 0.560 (H)						
210140-1X*	2.440	2.000	230549	230126-1	210119-1X	230207	232208	~	~	
210144-1X*	2.440	2.000	230549	230126-1	210119-1X	230207	230207	~	~	
210391-1X	2.440	2.000	230549	230126-1	210085-1X	230124	230124	~	~	
210391-1XV	2.440	2.000	~	~	~	230124	230124	~	~	SVL by Dana
211098-1X†	2.440	2.000	230549	230126-1	210085-1X	~	~	~	~	Not sold separately, use 210433-1X or 211037-1
210433-1X	2.440	2.000	230549	230126-1	210085-1X	230124	230209	~	~	
210433-1XV	2.440	2.000	~	~	~	230124	230209	~	~	SVL by Dana
211037-1X	2.440	2.000	230549	230126-1	210085-1X	230124	230209	~	~	
211605-1X	2.440	2.250	230148	213997	210085-1X	230124	~	~	~	Solid rubber cushion
210979X*	2.440	2.000	230549	210119-1X	230126-1	~	~	~	~	
A = 1.771 Bearing I.D.		D = 7.620		Bolt Hole/Stud Size = 0.560 (H)						
210084-2X	2.690	2.250	230148	230147-3	210092-1X	230151	230151	~	~	
210084-2XV	2.690	2.250	~	~	~	230151	230151	~	~	SVL by Dana
210207-1X	2.690	2.250	230148	230147-3	210092-1X	230151	230363	~	~	
210207-1XV	2.690	2.250	~	~	~	230151	230363	~	~	SVL by Dana
210969-1X	2.690	2.250	230148	230147-3	210091-1X	~	~	~	~	
211172-1X	2.690	2.250	230148	230147-3	210092-1X	230151	230151	~	~	Includes additional slinger 230363
A = 1.968 Bearing I.D.		D = 7.620		Bolt Hole/Stud Size = 0.620 (H)						
210121-1X	2.780	2.250	230164	230167-1	210120-1X	230166	230166	~	~	
210121-1XV	2.780	2.250	~	~	~	230166	230166	~	~	SVL by Dana
210323-1X	2.780	2.250	230164	230958-1	210120-1X	~	~	~	~	
210881-1X	2.780	2.250	230164	230958-1	210120-1X	230166	230166	~	~	
211625-1X	2.780	2.250	230164	230167-1	210120-1X	230166	231994	~	~	



**IMPORTANT:** See Safety Information in General Information Section.

\* Part has been discontinued    † Part is available until supply is exhausted    ‡ Not sold separately

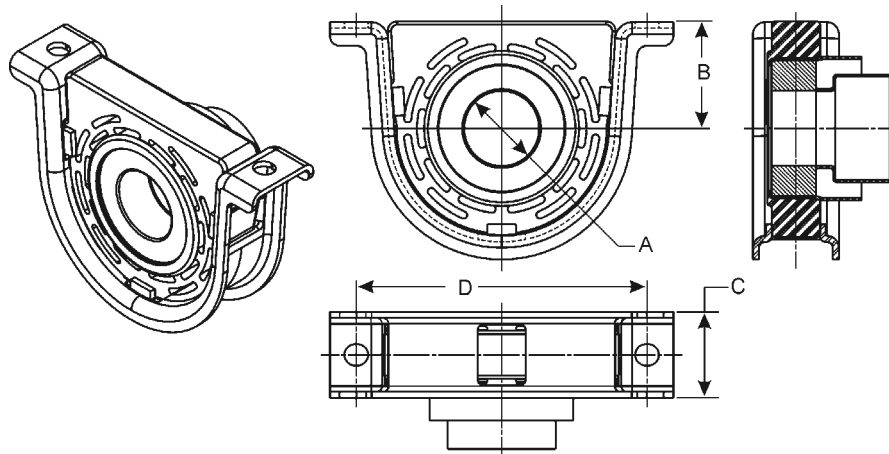




## STYLE 21

Parts not sold separately—shown for informational purposes only.

Center Bearing Assembly Part #	B Centerline to Mounting Surface	C Bracket Width	Center Bearing Major Parts			Front Slinger Part #	Rear Slinger Part #	Retainers		Notes
			Bracket Part #	Rubber Cushion Part #	Bearing and Retainer Assembly			Bottom	Top	
A = 1.750 Bearing I.D.										
211304X*	~	~	~	~	~	~	~	~	~	



## STYLE 22

Parts not sold separately—shown for informational purposes only.

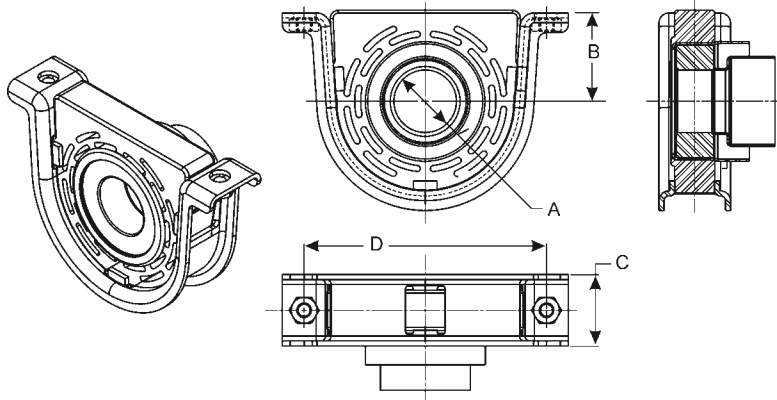
Center Bearing Assembly Part #	B Centerline to Mounting Surface	C Bracket Width	Center Bearing Major Parts			Front Slinger Part #	Rear Slinger Part #	Retainers		Notes
			Bracket Part #	Rubber Cushion Part #	Bearing and Retainer Assembly			Bottom	Top	
A = 1.771 Bearing I.D.      D = 7.622      Bolt Hole/Stud Size = 0.560 (H)										
212135-1X	2.690	2.250	230148	212133X	580932	~	~	~	~	232930 boot can; rubber cushion with canister
A = 1.771 Bearing I.D.      D = 7.622      Bolt Hole/Stud Size = 0.620 (H)										
212134-1X	2.689	2.250	230148	212133X	580932	~	~	~	~	Less boot can
212261-1X	2.690	2.250	233077	212133X	580932	~	~	~	~	Less boot can; rubber cushion with canister
A = 1.968 Bearing I.D.      D = 7.622      Bolt Hole/Stud Size = 0.622 (H)										
212142-1X	2.780	2.250	230164	212141X	580933	~	~	~	~	232944 boot can; rubber cushion with canister



IMPORTANT: See Safety Information in General Information Section.

\* Part has been discontinued    † Part is available until supply is exhausted    ‡ Not sold separately

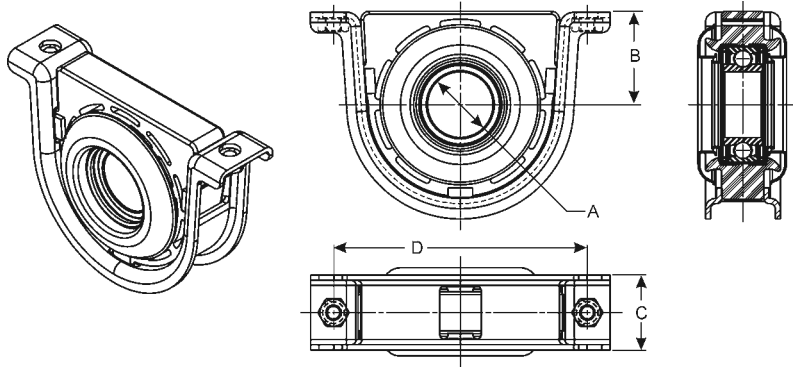
# Center Bearing Detail



## STYLE 23

Parts not sold separately—shown for informational purposes only.

Center Bearing Assembly Part #	B Centerline to Mounting Surface	C Bracket Width	Center Bearing Major Parts			Front Slinger Part #	Rear Slinger Part #	Retainers		Notes
			Bracket Part #	Rubber Cushion Part #	Bearing and Retainer Assembly			Bottom	Top	
A = 1.771 Bearing I.D.		D = 7.620		Bolt Hole/Stud Size = M12 X 1.75TH (nut)						
212145-1X	2.689	2.250	212222X	212133X	580932	~	~	~	~	232930 boot can; rubber cushion with canister; nuts attach to bracket
A = 1.968 Bearing I.D.		D = 7.620		Bolt Hole/Stud Size = M12 X 1.75TH (nut)						
212153-1X*	2.780	2.250	212229X	212141X	580933	~	~	~	~	232944 boot can; rubber cushion with canister; nuts attach to bracket



## STYLE 24

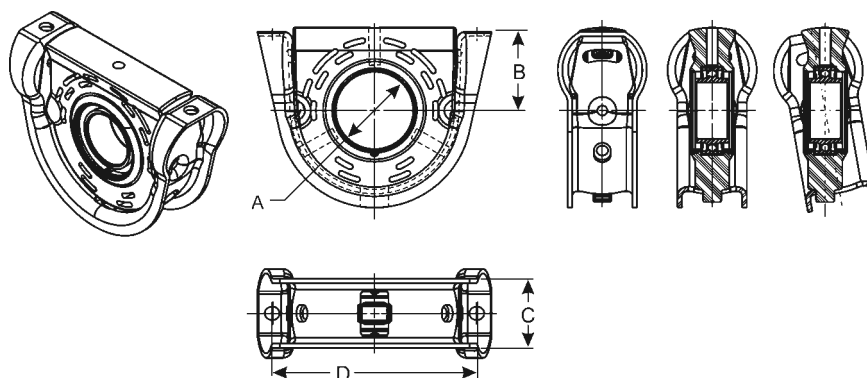
Parts not sold separately—shown for informational purposes only.

Center Bearing Assembly Part #	B Centerline to Mounting Surface	C Bracket Width	Center Bearing Major Parts			Front Slinger Part #	Rear Slinger Part #	Retainers		Notes
			Bracket Part #	Rubber Cushion Part #	Bearing and Retainer Assembly			Bottom	Top	
A = 1.968 Bearing I.D.		D = 7.620		Bolt Hole/Stud Size = M12 X 1.75TH (nut)						
212156-1X	2.780	2.250	212229X	230167-1	550788	230166	230166	~	~	212229X consists of 232953 bracket and (2) nuts attach to bracket



**IMPORTANT:** See Safety Information in General Information Section.

\* Part has been discontinued    † Part is available until supply is exhausted    ‡ Not sold separately



## STYLE 25

Parts not sold separately—shown for informational purposes only.

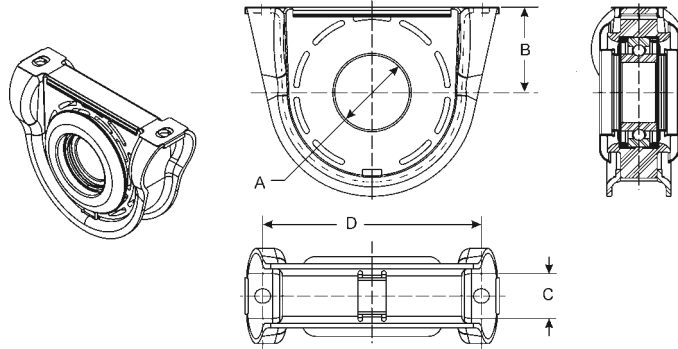
Center Bearing Assembly Part #	B Centerline to Mounting Surface	C Bracket Width	Center Bearing Major Parts			Front Slinger Part #	Rear Slinger Part #	Retainers		Notes
			Bracket Part #	Rubber Cushion Part #	Bearing and Retainer Assembly			Bottom	Top	
A = 2.362 Bearing I.D.		D = 8.622		Bolt Hole/Stud Size = 0.618 (H)						
5003323	3.330	2.917	5003324	5003325	5001950	~	~	~	~	Replaces 210661-1X, 210987-1X, 212066-1X, 212129-1X
5003326	3.300	2.917	5003324	5002433	5001950	~	~	~	~	Solid rubber, replaces 210875-1X, 210989-1X
5003328	3.300	2.917	5003627**	5003325	5001950	~	~	~	~	Semi slotted rubber, replaces 212155-1X; **bracket has nuts welded to it
A = 2.756 Bearing I.D.		D = 8.622		Bolt Hole/Stud Size = 0.559 (H)						
5019571‡	2.331	2.917	5003324	5019924	10001778	~	~	~	~	Not sold separately, use 350CB0001X
A = 2.756 Bearing I.D.		D = 8.622		Bolt Hole/Stud Size = 0.618 (H)						
350CB0001X	3.330	2.917	5003324	5019924	10001778	~	~	~	~	



IMPORTANT: See Safety Information in General Information Section.

\* Part has been discontinued    † Part is available until supply is exhausted    ‡ Not sold separately

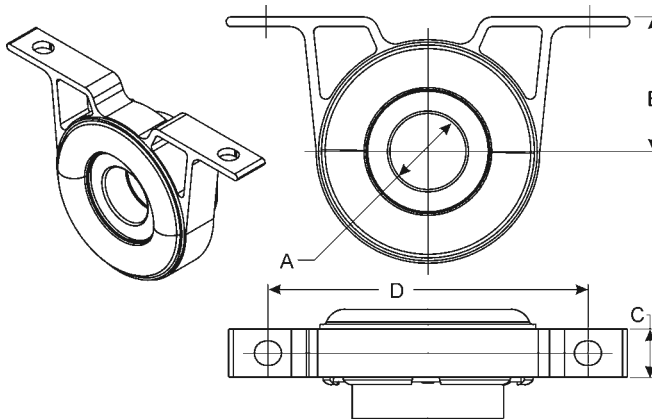
## Center Bearing Detail



### STYLE 26

Parts not sold separately—shown for informational purposes only.

Center Bearing Assembly Part #	B Centerline to Mounting Surface	C Bracket Width	Center Bearing Major Parts			Front Slinger Part #	Rear Slinger Part #	Retainers		Notes
			Bracket Part #	Rubber Cushion Part #	Bearing and Retainer Assembly			Bottom	Top	
A = 2.362 Bearing I.D.		D = 8.620		Bolt Hole/Stud Size = 0.560 (H)						
210661-1X*	3.380	2.530	230750	230749-1	210660-1X	230746	230746	~	8-95-49	210661-1X was replaced by 5003323
210661-1XV	3.380	2.530	~	~	~	230746	230746	~	8-95-49	SVL by Dana
210875-1X*	3.380	2.530	230750	231008-1	210660-1X	230746	230746	~	8-95-49	Solid rubber; 210875-1X was replaced by 5003326
210875-1XV	3.380	2.530	~	~	~	~	~	~	~	Solid rubber
210989-1X*	3.380	2.530	230750	231008-1	210660-1X	~	~	~	8-95-49	Solid rubber; 210989-1X was replaced by 5003326
212066-1X*	3.380	2.530	230750	232853	210660-1X	230746	230746	~	8-95-49	212066-1X was replaced by 5003323



### STYLE 27

Parts not sold separately—shown for informational purposes only.

Center Bearing Assembly Part #	B Centerline to Mounting Surface	C Bracket Width	Center Bearing Major Parts			Front Slinger Part #	Rear Slinger Part #	Retainers		Notes
			Bracket Part #	Rubber Cushion Part #	Bearing and Retainer Assembly			Bottom	Top	
A = 1.574 Bearing I.D.		D = 6.622		Bolt Hole/Stud Size = 0.559 (H)						
5017405	2.524	0.992	5014400	~	5016002	~	~	~	~	
5009792*	2.748	0.992	5009488	~	580924	~	231000	~	~	5009792 was replaced by 5017407
5017404*	2.748	0.992	5014398	~	5016002-1	~	~	~	~	5017404 was replaced by 5017407
5017407	2.748	0.992	5014398	~	5016002	~	231000	~	~	
5017410	2.524	0.992	5014400	~	5016002	~	~	~	~	Boot can 232817
5017950	2.524	0.992	5014400	~	5016002	~	231000	~	~	
5012704-1X	2.524	0.992	5012692	~	580924	~	231000	~	~	Boot can 232817

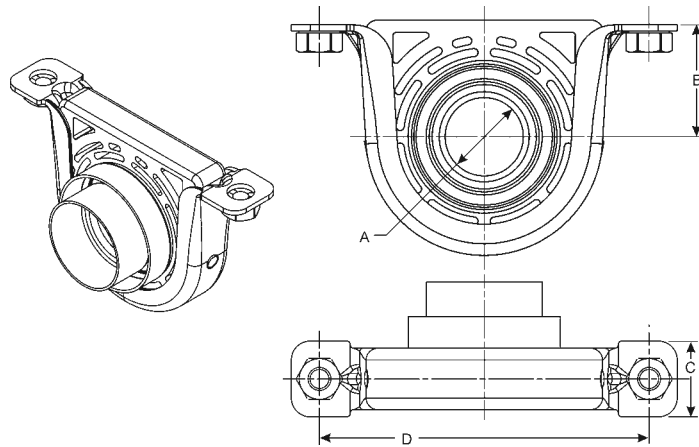


**IMPORTANT:** See Safety Information in General Information Section.

\* Part has been discontinued

† Part is available until supply is exhausted

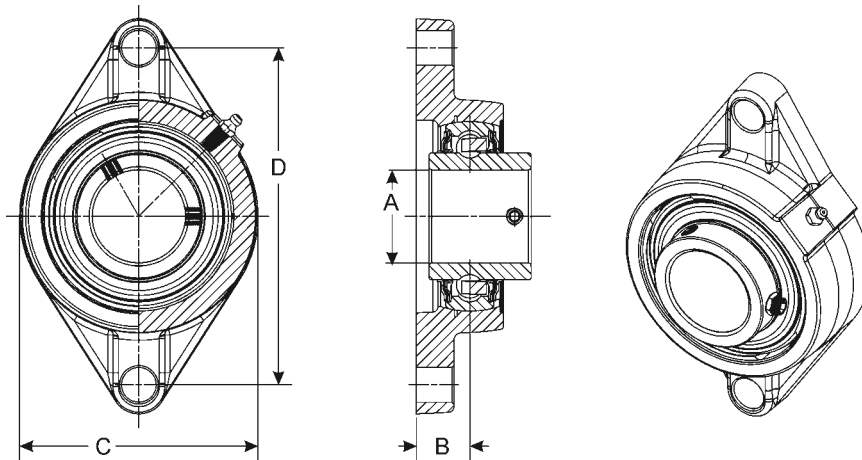
‡ Not sold separately



## STYLE 28

Parts not sold separately—shown for informational purposes only.

Center Bearing Assembly Part #	B Centerline to Mounting Surface	C Bracket Width	Center Bearing Major Parts			Front Slinger Part #	Rear Slinger Part #	Retainers		Notes
			Bracket Part #	Rubber Cushion Part #	Bearing and Retainer Assembly			Bottom	Top	
A = 1.574 Bearing I.D.		D = 6.620		Bolt Hole/Stud Size = M12 X 1.75TH (nut)						
212144-1X	2.248	1.520	232445	212027X	580924	~	~	~	~	



## STYLE 29

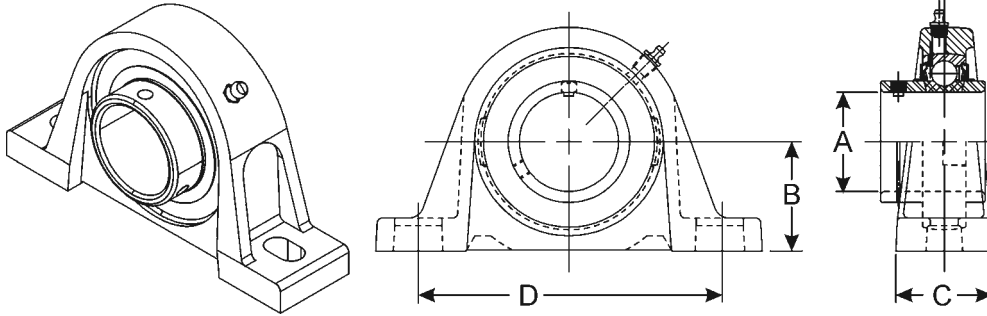
Parts not sold separately—shown for informational purposes only.

Center Bearing Assembly Part #	B Centerline to Mounting Surface	C Bracket Width	Center Bearing Major Parts			Front Slinger Part #	Rear Slinger Part #	Retainers		Notes
			Bracket Part #	Rubber Cushion Part #	Bearing and Retainer Assembly			Bottom	Top	
A = 2.000 Bearing I.D.		D = 7.250		Bolt Hole/Stud Size = 0.748 (H)						
612824000	1.156	5.000	~	~	~	~	~	~	~	



IMPORTANT: See Safety Information in General Information Section.

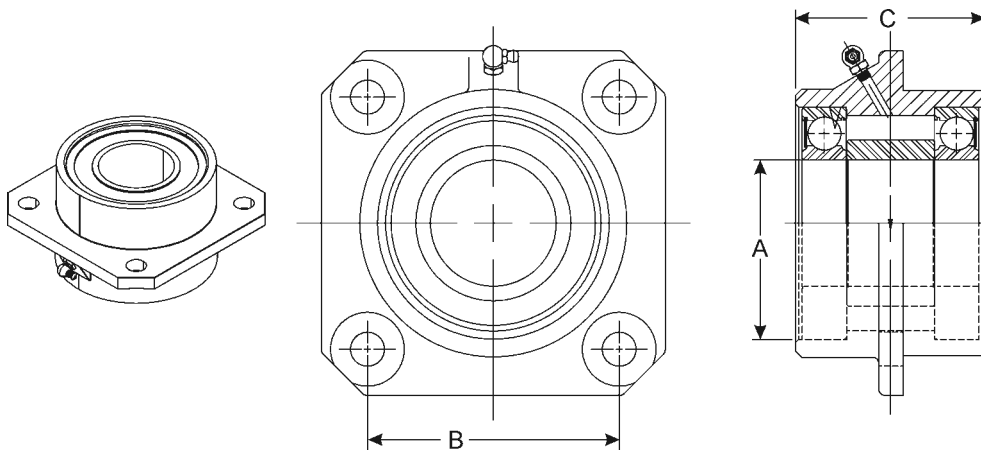
\* Part has been discontinued † Part is available until supply is exhausted ‡ Not sold separately



**STYLE 30**

Parts not sold separately—shown for informational purposes only.

Center Bearing Assembly Part #	B	C	Center Bearing Major Parts			Front Slinger Part #	Rear Slinger Part #	Retainers		Notes
	Centerline to Mounting Surface	Bracket Width	Bracket Part #	Rubber Cushion Part #	Bearing and Retainer Assembly			Bottom	Top	
	A = 2.437 Bearing I.D.	D = 7.385	Bolt Hole/Stud Size = 1.160 X 0.690 (H)							
232373	2.688	2.380	~	~	~	~	~	~	~	



**STYLE 31**

Parts not sold separately—shown for informational purposes only.

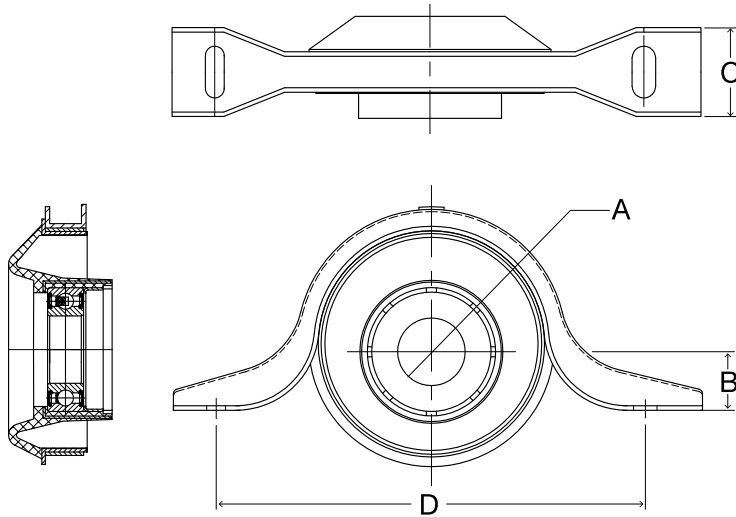
Center Bearing Assembly Part #	B	C	Center Bearing Major Parts			Front Slinger Part #	Rear Slinger Part #	Retainers		Notes
	Centerline to Mounting Surface	Bracket Width	Bracket Part #	Rubber Cushion Part #	Bearing and Retainer Assembly			Bottom	Top	
	A = 2.559 Bearing I.D.	D = 5.125	Bolt Hole/Stud Size = 0.689 (H)							
212265X	2.530	3.860	~	~	~	~	~	~	~	



**IMPORTANT:** See Safety Information in General Information Section.

\* Part has been discontinued    † Part is available until supply is exhausted    ‡ Not sold separately

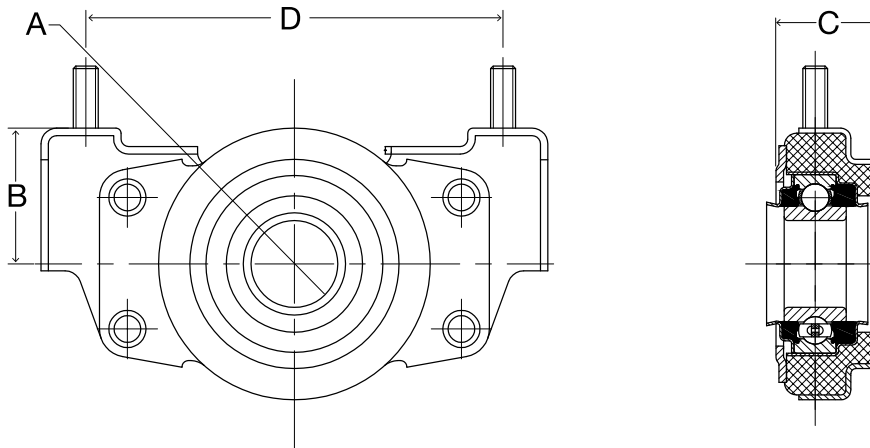
# Center Bearing Detail



## STYLE 32

Parts not sold separately—shown for informational purposes only.

Center Bearing Assembly Part #	B Centerline to Mounting Surface	C Bracket Width	Center Bearing Major Parts			Front Slinger Part #	Rear Slinger Part #	Retainers		Notes
			Bracket Part #	Rubber Cushion Part #	Bearing and Retainer Assembly			Bottom	Top	
A = 1.181 Bearing I.D.      D = 7.484      Bolt Hole/Stud Size = 0.905 x 0.355 (H)										
211019-1XV	1.039	1.575	~	~	~	~	~	~	~	~



## STYLE 33

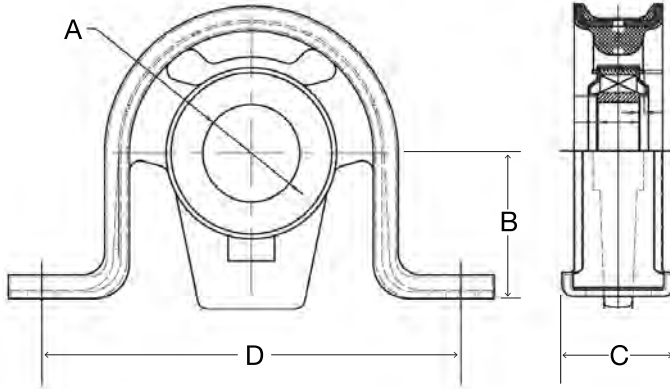
Parts not sold separately—shown for informational purposes only.

Center Bearing Assembly Part #	B Centerline to Mounting Surface	C Bracket Width	Center Bearing Major Parts			Front Slinger Part #	Rear Slinger Part #	Retainers		Notes
			Bracket Part #	Rubber Cushion Part #	Bearing and Retainer Assembly			Bottom	Top	
A = 1.378 Bearing I.D.      D = 6.622      Bolt Hole/Stud Size = M10 x 1.5 (stud)										
211015-1XV	2.200	1.457	~	~	~	~	~	~	~	~



IMPORTANT: See Safety Information in General Information Section.

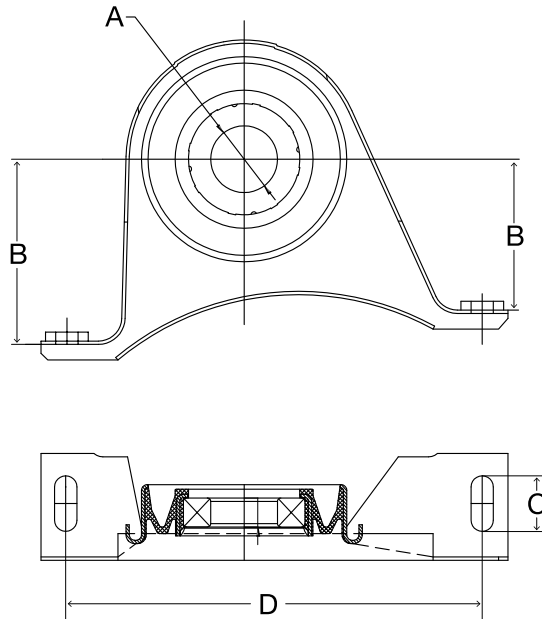
\* Part has been discontinued    † Part is available until supply is exhausted    ‡ Not sold separately



**STYLE 34**

Parts not sold separately—shown for informational purposes only.

Center Bearing Assembly Part #	B Centerline to Mounting Surface	C Bracket Width	Center Bearing Major Parts			Front Slinger Part #	Rear Slinger Part #	Retainers		Notes
			Bracket Part #	Rubber Cushion Part #	Bearing and Retainer Assembly			Bottom	Top	
A = 1.772 Bearing I.D.      D = 6.638			Bolt Hole/Stud Size = 0.528 x 1.190 (H)							
211017-1XV	2.638	2.038	~	~	~	~	~	~	~	Has rear slinger



**STYLE 35**

Parts not sold separately—shown for informational purposes only.

Center Bearing Assembly Part #	B Centerline to Mounting Surface	C Bracket Width	Center Bearing Major Parts			Front Slinger Part #	Rear Slinger Part #	Retainers		Notes
			Bracket Part #	Rubber Cushion Part #	Bearing and Retainer Assembly			Bottom	Top	
A = 1.181 Bearing I.D.      D = 7.346			Bolt Hole/Stud Size = 0.388 x 0.984 (H)							
211020-1XV	3.276/2.587	1.898	~	~	~	~	~	~	~	



**IMPORTANT:** See Safety Information in General Information Section.

\* Part has been discontinued    † Part is available until supply is exhausted    ‡ Not sold separately





**Trust Spicer® lubricant to protect your universal joint and slip assemblies.** Lack of proper lubrication is the most common cause of premature failure in u-joint kits and slip assemblies. Properly sized Spicer® u-joints that are adequately lubricated at recommended intervals will normally meet or exceed fleet operational requirements. Inadequate lube cycles, and failure to lubricate the u-joints and slip splines properly, will not only cause premature u-joint kit failures, but may lead to other problems, such as slip spline seizures. Relubrication at recommended intervals (**see Chart 5**) flushes abrasive contaminants from the u-joints and slip components, helping to optimize the life of the driveshaft.

### There Is No Substitute for Spicer Products — Including Spicer® Lubrication.

Spicer products are manufactured to original equipment specifications, and Spicer ultra-premium synthetic grease is specifically engineered to complement Spicer® universal joints. You can rely on Spicer products to deliver the premium performance that keeps your vehicle on the road.

Dana recommends lubrication with Spicer ultra-premium synthetic grease or Chevron Ultra-Duty EP-2 or a compatible lithium-based grease meeting N.L.G.I. Grade 2 specifications as well as ASTM D4950 LB specifications. Spicer ultra-premium synthetic grease is compatible with all NLGI-2 greases, and delivers professional-grade quality, even at high temperatures. Spicer ultra-premium synthetic grease is available in 10-packs of 14-oz. tubes (SPL1051), and 1-gal. pails (SPL1052).

**⚠ Warning:** Inadequate lubrication can cause driveline failure, which can result in separation of the driveline from the vehicle. A separated driveline can result in serious injury or death.



In order to minimize the potential for driveline failure, including driveline separation, you must:

1. Carefully review the lubrication specifications in this brochure and lube manual located at [www.SpicerParts.com/literature/library](http://www.SpicerParts.com/literature/library).
2. Make sure you use only approved lubricants. We recommend Spicer® ultra-premium synthetic grease.
3. Make sure you lubricate at recommended intervals.



Visit [www.SpicerParts.com/videos](http://www.SpicerParts.com/videos) to see how-to videos on proper u-joint kit lubrication procedures.

## U-Joint Kit Lube Procedures

**⚠ WARNING:** To prevent serious eye injury, always wear safety glasses when lubricating or servicing a driveshaft. Failure to wear safety glasses could result in serious injury and/or partial or permanent vision loss.

Spicer® greasable u-joint kits contain only enough grease to provide needle bearing protection during storage. Prior to installing a new u-joint into the driveshaft, you must:

1. Remove each bearing assembly and pack each journal cross lube reservoir with grease.
2. Wipe a liberal coating of the same grease into each bearing assembly, filling all of the cavities between the needle rollers.
3. Apply a liberal coating of grease into the bottom of each bearing cup.

After installation into a driveshaft, and prior to being placed into service, you must (with the exception of Service-Free u-joints) lubricate each u-joint kit in accordance with the following recommendations:

- Apply grease gun pressure to each u-joint until fresh grease appears at each bearing seal. This purging action not only assures that every bearing has been properly greased, but flushes out any moisture and abrasive contaminants that may have worked their way past the seals.

**IMPORTANT:** The premium seal design of Spicer u-joints may, on occasion, prevent one or more bearings from purging. If that should ever happen, try one of these purging procedures to relieve seal tension:

1. Push up on the driveshaft, from the side opposite the bearing that will not purge, while applying gun pressure to the lube fitting. This might create a slightly greater clearance around the bearing's sealing surface and may allow the bearing to purge (**see Photo 1**).
2. Using a brass hammer and wearing safety glasses, sharply strike lug ear of the inboard yoke once to firmly seat the bearing against the retainer (retainer may be a snap ring, bearing plate or spring tab). Striking the yoke ear may relieve tension across the span. Rotate shaft 180 degrees and repeat procedure on opposite lug ear. Apply grease gun pressure. If the problem still persists move on to steps 3 and 4.
3. Depending on the type of yoke design in your driveshaft, release pressure on the affected bearing(s) as follows:

**A.** On full round Spicer® 10 Series™ closed hole yokes with self-locking bolts and bearing plates (**see Figures A and B**):

- Release seal pressure by loosening the bolts that retain the non-purging bearing cap(s) in the yoke ear(s). Apply grease gun pressure to purge the bearing or bearings.
- If loosening the bolts does not allow purging, remove the bearing(s) to determine the cause of blockage. (Refer to Bolt Installation Procedures section covering the reinstallation of any loosened or removed bolts.)



Photo 1

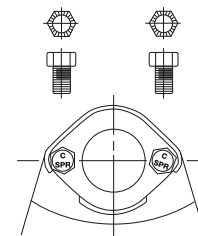


Figure A

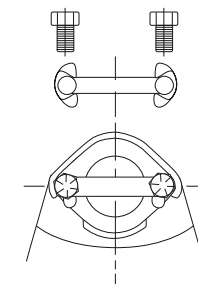


Figure B

## U-Joint Kit Lube Procedures (continued)

**B.** On full round Spicer Life Series® or SPL® closed hole style yokes with inboard bearings that are retained by spring tabs, you should never loosen the spring tabs to release seal pressure on the bearing seals (**see Figure C**). SPL® u-joint kits with bearings that will not purge must be removed and replaced with a new kit.

- Refer to **Chart 1** for bolt torque for spring tab bolts.

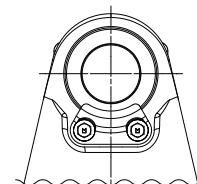


Figure C

### Spring Tab Bolt Torques - Chart 1

SERIES	SPRING TAB KIT P/N	BOLT P/N	THREAD SIZE	BOLT TORQUE (Lb. Ft.)	BOLT TORQUE (NM)
SPL140/SPL170/SPL250	211941X	8-73-114M	M8X1.00-6G	28	38

**NOTE:** If you must remove the u-joint kit from the driveshaft yoke and replace it with a new kit, refer to SPL® Service Manual No. DSSM 0100 for u-joint kit installation instructions. Service manual DSSM 0100 can be found at: [www.SpicerParts.com/literature/library](http://www.SpicerParts.com/literature/library), keyword search: DSSM 0100.

**C.** For light-duty Spicer® 10 series™ and SPL350 series using full round yokes with snap rings on the inboard bearings, the u-joint kit must be removed from the driveshaft and replaced. Releasing seal pressure cannot be done safely without removal of the u-joint kit.

**CAUTION:** ALWAYS replace any loosened or removed bolts with a NEW BOLT. Refer to Bolt Installation Procedures section for instructions.

**4.** On half round type yokes with bearing retainers or bearing straps:

- Release pressure by removing the retainer or strap and unhooking the end of the driveshaft from the yoke ears.

**CAUTION:** Driveshafts are extremely heavy. Always use a restraining strap to prevent them from falling out of the vehicle.

- With the driveshaft hanging on the restraining strap, install a C-clamp around the non-purging bearings and apply grease gun pressure until they purge. Loosen the C-clamp as necessary to force purging. If the bearing(s) still fail to purge, remove the u-joint kit from the driveshaft and replace it.

**IMPORTANT:** Vehicles in service MUST be re-lubed at specific intervals. Refer to the lube interval chart on the back of this brochure for recommendations regarding lube cycles vs. specific applications.

New Spicer® Service-Free (SF) light-duty and medium-duty u-joints are shipped pre-lubed, with the bearings installed on the cross trunnions. It is not necessary to grease them after installation.

Spicer Life Series® (also referred to as SPL®) heavy-duty service-free u-joint kits (SPL 170, SPL250, SPL350 series part numbers with a SF suffix - i.e. SPL250-SF3X) are supplied with a predetermined amount of Spicer synthetic grease, which must be added to the journal cross and bearing caps prior to assembly into the driveshaft yokes.

**PROCEDURE:** Fill each journal cross with grease. Wipe the remaining grease into each bearing cap, filling the cavities between the needle bearings. Wipe a liberal amount of grease on the bottom of each bearing.

**CAUTION:** When you remove the SF bearings from the cross trunnions, some grease may be sucked out of the cross reservoir. ALWAYS make sure you reinstall the same bearing back onto the same cross trunnion when installing the u-joint into the driveshaft yoke.

## Bolt Installation Procedures

(Refer to **Charts 1, 2, 3, and 4** for kit numbers, bolt part numbers, and recommended torques.)

**CAUTION:** If you have removed or loosened any bearing cap fasteners, ALWAYS replace them with new fasteners and torque them to the recommended torque shown on **Charts 2, 3, and 4**. If your 10 Series™ retention method was a stamped bearing strap, ALWAYS replace the used bearing strap with a new bearing strap. (**NOTE:** Bearing retainers used with Spicer Life Series® or SPL® driveshafts can be reused if they are not damaged. Refer to **Chart 2** and **Figure E** for recommendations on the proper tightening sequence for bearing strap and retainer bolts.)

### Bearing Strap and Bearing Retainer Bolt Torques - Chart 2

SERIES	STRAP/RETAINER KIT P/N	BOLT P/N	THREAD SIZE	BOLT TORQUE (Lb. Ft.)	BOLT TORQUE (NM)
1310,1330	2-70-18X	231401	250-28	15	20
1350,1410	3-70-28X	231142	.312-24	32	43
1480,1550, SPL55,SPL70	3-70-38X	6-73-412	.375-24	52	70
1610	5-70-28X	6-73-412	.375-24	52	70
1710,1760, 1810	6.5-70-18X	8-73-316	.500-20	125	170
1710,1760, 1810	212214X*	8-73-316	.500-20	125	170
SPL®100	90-70-28X	6-73-412	.375-24	52	70
SPL®140	140-70-18X	5007417	M12x1.25-6g	115	156
SPL®170	170-70-18X	5007417	M12x1.25-6g	115	156
SPL®250	250-70-18X	5007417	M12x1.25-6g	115	156
SPL®350	350-70-18X	5019836	M14x1.25-6g	188	255

\* Retainer kit with cast retainer

Spicer® 10 Series™ and SPL® driveshafts are usually retained in the vehicle with either bearing strap kits or bearing retainer kits that utilize self-locking bolts, which have a lock patch (see **Figure D** and **Chart 2**).

On some Spicer® 10 Series™ u-joint kits, the bearing assemblies use a bearing plate welded to the bearing assembly and bolted to the yoke ear with self-locking bolts that have a serrated head and a lock patch (see **Figure A**). Serrated head and a lock patch installation procedure: Loosely install the NEW bolts, and then tighten them to the torque shown in **Chart 3** (see **Warning**).

### Serrated Head Style Bolt Torques - Chart 3

SERIES	BOLT P/N	THREAD SIZE	BOLT TORQUE (Lb. Ft.)	BOLT TORQUE (NM)
1610	5-73-709	.312-24	30	41
1710	6-73-209	.375-24	43	58
1760	6-73-209	.375-24	43	58
1810	6-73-209	.375-24	43	58
1880	7-73-315	.438-20	65	88

For maximum performance, the torque specifications and sequences should be followed during the original installation and re-installation of components. Dana recommends using new hardware during any service procedure.

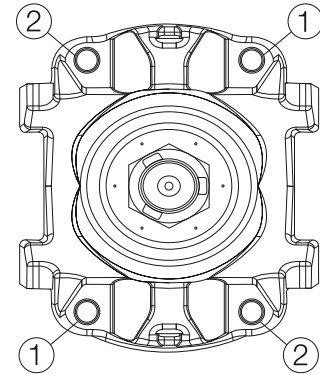


Figure E

Torque bolts in a counter clockwise sequence starting with either position 1.

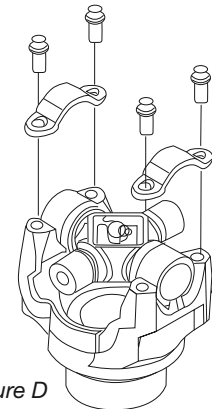


Figure D

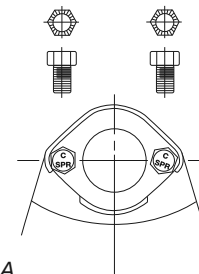


Figure A

## Bolt Installation Procedures (continued)

Some are retained with self-locking bolts that have a non-serrated head and lock patch and use a lock strap (see **Figure B**). Non-Serrated head with lock patch and lock strap installation procedure: Loosely install the NEW bolts, and then tighten them to the torque shown in **Chart 4**. After tightening to the proper torque, bend the tabs of the lock straps up against the bolt heads to lock the bolts in place (see **Warning**).

**Non-Serrated Head Style Bolt Torques - Chart 4**

SERIES	BOLT P/N	LOCK STRAP PART #	THREAD SIZE	BOLT TORQUE (Lb. Ft.)	BOLT TORQUE (NM)
1610	5-73-109	98-741	.312-24	20	27
1710	6-73-109	230323	.375-24	36	49
1760	6-73-109	230323	.375-24	36	49
1800	6-73-109	98-743	.375-24	36	49
1810	6-73-109	230323	.375-24	36	49
1880	7-73-115	231009	.438-20	58	79

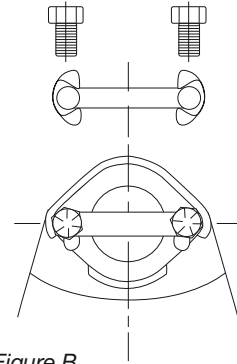


Figure B

Refer to Spicer Driveshaft Service Manual (DSSM-3264 or newer) for additional installation instructions.

**Warning:** Failure to replace self-locking and/or serrated head bolts and/or failure to properly torque any retaining bolt, or failure to properly bend the lock tabs on lock strap-style installations could cause the driveshaft to loosen and separate from the vehicle or machine, which could cause loss of control and result in personal injury or death.

## Additional Lubrication Procedures

### Spicer 10 Series™ Slip Assemblies

- Re-lube slip assemblies at the same intervals, and with the same lube, as u-joint kits.
- Apply grease gun pressure until fresh grease appears at the pressure relief hole in the slip yoke plug (see **Photo 2**).
- Cover the hole in the plug with your finger and continue applying grease gun pressure until fresh grease appears at the slip yoke seal (see **Photo 3**).
- **NOTE:** In cold winter months, new grease in a slip assembly can stiffen and cause the slip yoke plug to pop out of the slip yoke bore.
  - Activate the slip spline by driving the vehicle enough to displace a little grease out of the pressure relief hole.
  - Failure to complete this recommendation can lead to premature failure of the slip assembly if the slip yoke plug is lost.

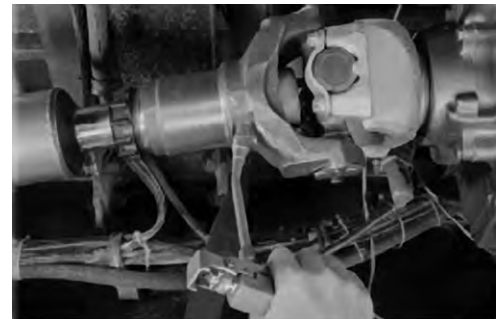


Photo 2



Photo 3

## **Additional Lubrication Procedures (continued)**

### **SPL® Slip Assemblies (with boots):**

- SPL® slip assemblies are lubed for life and do not require additional lube.
- Any damage to the boot, or any loss or damage to any of the boot clamps, will require the replacement of the entire boot kit assembly. Refer to SPL® service manual DSSM 0100 for instructions on cleaning and re-greasing the slip assembly and installation of the new boot.
- SPL® boot kits come with a sealed package of grease containing the 4 ounces of Chevron Ultra-Duty EP-2 lubricant. No additional grease needs to be added.



### **Center Bearing Assemblies:**

- Lubrication of the bearing itself takes place during its manufacturing process and no attempt should be made to add or change the grease within the bearing itself.

### **Spicer® XC™ Center Bearings:**

- Driveshafts with Spicer® XC™ center bearing assemblies do not require any lubrication within the bearing or to the bearing outer surface due to the maintenance-free double lip seal within the bearing itself. Please refer to bulletin JOI-TEC-56 for installation procedures which can be found at [www.SpicerParts.com/literature](http://www.SpicerParts.com/literature).



**Warning:** Rotating shafts can be dangerous. You can snag clothes, skin, hair, hands, etc. This can cause injury or death. Do not go under the vehicle when the engine is running.

## Spicer® Driveshaft Lubrication Intervals - Chart 5

Series	City	On-Highway	Linehaul	On/Off-Highway
<b>Spicer® 10 Series™</b> (1310 thru 1810) Slip members also require lubrication.	5,000/8,000 mi. (8,000/12,800 km) or 3 months (whichever comes first)	10,000/15,000 mi. (16,000/24,000 km) or 3 months (whichever comes first)	10,000/15,000 mi. (16,000/24,000 km) or 3 months (whichever comes first)	5,000/8,000 mi. (8,000/12,800 km) or 3 months (whichever comes first)
<b>Spicer Life Series®: Light-Duty</b> (1310 thru 1410) Slip members are booted and permanently lubricated. Always inspect boots and clamps at every lube interval.	15,000 mi. (24,000 km) or 6 months (whichever comes first)	15,000 mi. (24,000 km) or 6 months (whichever comes first)	15,000 mi. (24,000 km) or 6 months (whichever comes first)	15,000 mi. (24,000 km) or 6 months (whichever comes first)
<b>Spicer Life Series®: Medium-Duty*</b> (SPL55, SPL70 & SPL100) Slip members are booted and permanently lubricated. Always inspect boots and clamps at every lube interval.	25,000 mi. (40,000 km) or 6 months (whichever comes first)	25,000 mi. (40,000 km) or 6 months (whichever comes first)	25,000 mi. (40,000 km) or 6 months (whichever comes first)	25,000 mi. (40,000 km) or 6 months (whichever comes first)
<b>Spicer Life Series®: (OE Production SPICER LIFE XL Driveshafts ONLY) (SPL170, SPL250, SPL350 ONLY)</b> FIRST LUBE CYCLE = 350,000 miles or 3 Years (whichever comes first). Slip members are booted and permanently lubricated. Always inspect boots and clamps at every lube interval.				
<b>Spicer Life Series®: Heavy-Duty*</b> (SPL140 - All Lube Intervals) (SPL170, SPL250, SPL350 - All Lube Intervals after the First Lube cycle listed above) Slip members are booted and permanently lubricated. Always inspect boots and clamps at every lube interval.	25,000 mi. (40,000 km) or 6 months (whichever comes first)	100,000 mi. (160,000 km) or 6 months (whichever comes first)	100,000 mi. (160,000 km) or 6 months (whichever comes first)	25,000 mi. (40,000 km) or 6 months (whichever comes first)

### Spicer Life® SF™ Lubrication Cycle

**Spicer Life SF™: Service-Free**  
 (Spicer u-joint part numbers with a "SF" in the suffix... i.e. SPL250-SF3X)

Permanently lubricated for the life of the product.

\* We require relubrication with Spicer® ultra-premium synthetic grease or Chevron Ultra-Duty EP-2 or compatible lithium-based grease meeting N.L.G.I. Grade 2 specifications as well as ASTM D4950 "LB" specifications.



**APPLICATION DEFINITIONS:** **City** is defined as all applications that require a minimum of 90% of operation time within the city limits. **On-Highway** is defined as all applications requiring less than 10% of operating time on gravel dirt or unpaved roads. **Linehaul** is defined as 100% of operation time on smooth concrete or asphalt. **On/Off-Highway** is defined as all applications operating primarily on paved roads, but requiring more than 10% of operating time on gravel, dirt, or unpaved roads.

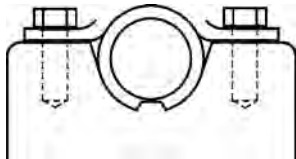
Visit our website at [www.SpicerParts.com/videos](http://www.SpicerParts.com/videos) to see how-to videos on proper u-joint kit lubrication procedures.

Vehicle Type	Driveshaft Series	Spicer® Service Kit (Greaseable unless noted)	Spicer Life® OE Kit (Greaseable)	Spicer Life® OE Kit (Non-Greaseable)	
<b>Light &amp; Medium Vehicles</b>	1210	5-443X	-	-	
	1310	5-153X	5-1310-1X**	5-1310X	
	1310 aluminum	-	-	5-3613X†	
	1310/7260*	-	-	5-788X	
	1310 (Wheel Joint)	-	-	5-760X	
	1310SPEC	5-1201X	-	5-7439X	
	1330	5-213X	5-1330-1X**	5-1330X	
	1330 aluminum	-	-	5-3614X†	
	1330SPEC	5-1204X	-	5-7438X	
	1330/S44*	5-212X	-	5-793X	
	1330/7290*	-	-	5-7437X	
	1350	5-178X	5-1350-1X**	5-1350X	
	1350 (Wheel Joint)*	-	-	5-7166X	
	1350/SPL30 aluminum	-	-	5-3615X†	
	1350 x S44*	5-3205X	-	-	
	1355 AAM*	5-3208X ***	-	-	
	1410	5-160X	5-1410-1X**	5-1410X	
	1410 aluminum	-	-	5-3616X†	
	1415 AAM*	5-3207X***	-	-	
	1480/SPL55	5-188X	SPL55-1X	SPL55X	
	1480/SPL55 (Wheel Joint)*	-	SPL55-4X	SPL55-3X	
	1485 AAM*	5-3206X***	-	-	
	1485 AAM (Wheel Joint)*	-	-	5006813	
	1550/SPL70	5-155X	SPL70-1X	SPL70X	
	SPL70 (Wheel Joint)*	-	SPL70-4X	-	
	7260*	5-1306X	-	5-789X	
	7290*	5-1309X	-	5-811X	
	S44*	5-3147X	-	5-795X	
	<b>Commercial Vehicles</b>	SPL90/SPL100	-	SPL100-1X	-
		SPL140	-	SPL140X	-
SPL170		-	SPL170-4X	SPL170-SF4X	
SPL250		-	SPL250-3X	SPL250-SF3X	
SPL350		-	SPL350X	SPL350SF4X	
1610 (Full Round)		5-279X	-	-	
1610 (Half Round)		5-674X	-	-	
1650		5-165X	-	-	
1710 (Full Round)		5-280X	-	-	
1710 (Half Round)		5-675X	-	-	
1760 (Full Round)		5-407X	-	-	
1760 (Half Round)		5-677X	-	-	
1800 (Full Round)		5-124X	-	-	
1810 (Full Round)		5-281X	-	-	
1810 (Half Round)		5-676X	-	-	
1880 (Full Round)		5-308X	-	-	

\* Wheel joint or non-Spicer series - will not be on yoke ruler. Identify u-joint kit using Spicer K-350 Catalog. \*\* Zerk in Cap \*\*\*Non-Greaseable  
† Used in aluminum driveshafts. U-joint has coated caps.



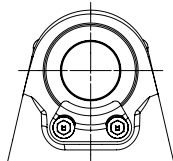
## BEARING STRAP



**WARNING:** Always replace all attaching hardware.

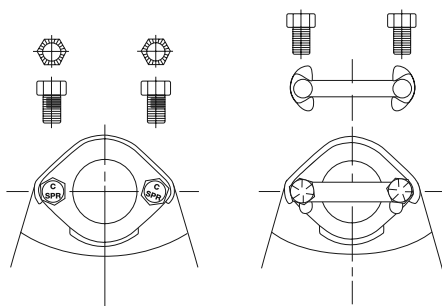
Series	Strap Kit Assy	Attaching Bolt Part #	Recommended Bolt Torque (Lb.Ft.)	Recommended Bolt Torque (NM)
1210	2-70-18X	231401	15	20
1310/SPL22	2-70-18X	231401	15	20
1330/SPL25	2-70-18X	231401	15	20
3R/S44	2-70-48X	Not Sold Separate	30-35	41-47
7290	2-70-58X	Not Sold Separate	13-18	18-24
7260	2-70-68X	Not Sold Separate	13-18	18-24
1350/SPL30	3-70-28X	231142	32	43
1350SPEC**	3-70-48X	231402	25-30	34-41
1410/SPL36	3-70-28X	231142	32	43
1350/1410 (GM)	3-70-58X	Not Sold Separate	30-35	41-47
1485 (GM)	3-70-68X	Not Sold Separate	30-35	41-47
1480/SPL55	3-70-38X	6-73-412	52	70
1550/SPL70	3-70-38X	6-73-412	52	70
SPL90	90-70-28X	6-73-412	52	70
1610	5-70-28X	6-73-412	52	70
1710	6.5-70-18X	8-73-316	125	170
1710	212214X†	8-73-316	125	170
1760	6.5-70-18X	8-73-316	125	170
1760	212214X†	8-73-316	125	170
1810	6.5-70-18X	8-73-316	125	170
1810	212214X†	8-73-316	125	170
SPL140	140-70-18X	5007417	115	156
SPL170	170-70-18X	5007417	115	156
SPL250	250-70-18X	5007417	115	156
SPL350	350-70-18X	5019836	188	255

## SPL SPRING TAB



Series	Spring Tab Kit	Attaching Bolt Part #	Recommended Bolt Torque (Lb.Ft.)	Recommended Bolt Torque (NM)
SPL140	211941X	8-73-114M	28	38
SPL170	211941X	8-73-114M	28	38
SPL250	211941X	8-73-114M	28	38

## BEARING PLATE



Series	Bolt Part #	Lockstrap Part #	Recommended Bolt Torque (Lb.Ft.)	Recommended Bolt Torque (NM)
1610	5-73-709*	N.A.	30	41
1710	6-73-209*	N.A.	43	58
1760	6-73-209*	N.A.	43	58
1810	6-73-209*	N.A.	43	58
1880	7-73-315*	N.A.	65	88
1610	5-73-109	98-741	20	27
1710	6-73-109	230323	36	27
1760	6-73-109	230323	36	27
1800	6-73-109	98-743	36	27
1810	6-73-109	230323	36	27
1880	7-73-115	231009	58	79

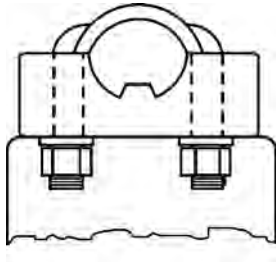
\* Bolts contain serrations under bolt head with lock patch on threads

\*\* Strap kit 1350 series "Special" for Corvette with metric bolts (3-70-48X (torque 25 -30 Lbs Ft / 34-41 Nm) also fits some Dodge Viper

† Kit has "cast retainer" style strap

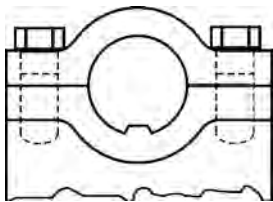
‡ For reference only; these driveline series are not serviced by Dana Aftermarket Group

**U-BOLT**



Series	U-Bolt Assy	Recommended Bolt Torque (Lb.Ft.)	Recommended Bolt Torque (NM)
1310/SPL22	2-94-28X	14-17	19-23
1330/SPL25	2-94-28X	14-17	19-23
1350/SPL30	3-94-18X	20-24	17-33
1410/SPL36	3-94-18X	20-24	17-33
1480/SPL55	3-94-28X	32-37	43-50
1550/SPL70	3-94-28X	32-37	43-50

**CAP AND BOLT**



Series	Cap and Bolt Assy	Recommended Bolt Torque (Lb.Ft.)	Recommended Bolt Torque (NM)
1650‡	5-70-18X	77-103	104-140
1850‡	8-70-18X	110-147	149-199
1850‡	8-70-18X	110-147	149-199
1910‡	Not Sold Separate	110-147	149-199
1950‡	9-70-18X	271-362	367-491
2010‡	Not Sold Separate	102-118	138-160
2050‡	9-70-28X	744-844	1009-1144
2110‡	Not Sold Separate	171-197	232-267
2150‡	9-70-38X	744-844	1008-1144
2210‡	Not Sold Separate	260-298	253-404

\* Bolts contain serrations under bolt head with lock patch on threads

\*\* Strap kit 1350 series "Special" for Corvette with metric bolts (3-70-48X (torque 25 -30 Lbs Ft / 34-41 Nm) also fits some Dodge Viper

† Kit has "cast retainer" style strap

‡ For reference only; these driveline series are not serviced by Dana Aftermarket Group

# Universal Joint Kit Method of Retention and Hardware Kit Part Numbers

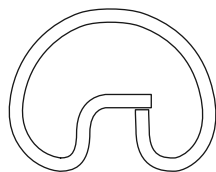


## LUBE FITTINGS

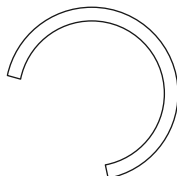


Style	Thread Size	Hex	Overall Length	Spicer Part #	Notes
1	0.125-27NPT	0.438	0.660	500168-2	
1	0.250-28	0.312	0.540	500174-1	
1	0.250-28	0.312	0.680	500174-2	
2	0.250-28	0.312	0.406	231209	
2	#10-32		0.344	230977	Installs w/ screwdriver
3	0.125-27NPTF	0.500	0.843	232830	Use pliers to tighten
3	0.250-28	0.312	0.406	500175-2	65° fitting
3	M6X1	0.276	0.355	5001182	Thread forming thread
1	M8X1-6h	0.433	1.014	052133703	45° fitting
1	M10X1-6h	0.433	2.315	052242703	
3	M10X1-6h	0.433	0.886	052261703	
1	M6X1-6h	0.276	0.532	052702703	
1	M8X1-6h	0.354	0.669	052703703	
1	M10X1-6h	0.433	0.610	052728703	
1	M6X1-6h	0.433	1.024	052802703	45° fitting
1	M10X1-6h	0.433	1.024	052819703	45° fitting
2	M8X1-6h	0.157	0.315	815060005	Hex socket plug
1	M10X1-6h	0.433	0.799	816300008	90° fitting

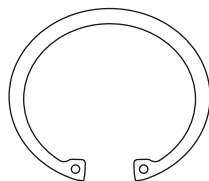
## SNAP RINGS



Style 1



Style 2



Style 3

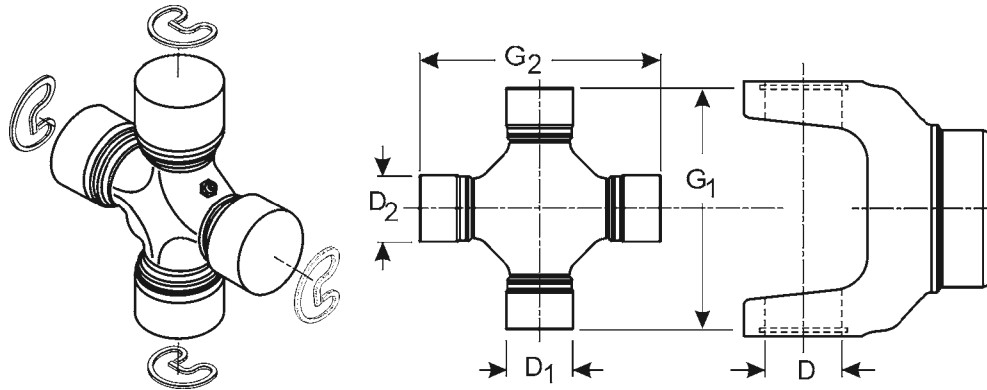
Style	Fits Bearing Diameter	Thick (+ or - 0.0005)	Color	Spicer Part #	Notes
1	0.938	0.058	NONE	1-7-29	
1	1.062	0.055	GREEN	2-7-469	
1	1.062	0.057	PURPLE	2-7-329†	
1	1.062	0.058	NONE	2-7-4	
1	1.062	0.059	COPPER	2-7-29	
1	1.062	0.060	SILVER	2-7-49	
1	1.062	0.063	YELLOW	2-7-449	
1	1.062	0.065	BLUE	2-7-459	
1	1.188	0.058	NONE	3-7-39	
1	1.188	0.059	BLACK	3-7-229	Coated for use in aluminum yokes
1	1.188	0.059	COPPER	3-7-4	
1	1.188	0.061	WHITE	3-7-49	
1	1.188	0.064	PINK	5011183	
1	1.375	0.058	NONE	3-7-89	
1	1.375	0.060	COPPER	3-7-109	
1	1.375	0.062	YELLOW	4-7-69	
2	0.938	0.058	NONE	10-7-29	
2	1.062	0.058	NONE	2-7-99	Spec for use w/ wheel jt.
2	1.062	0.060	NONE	2-7-299	
2	1.102	0.060	COPPER	2-7-369	
2	1.188	0.058	NONE	3-7-99	
2	1.375	0.060	NONE	3-7-129	
3	2.559	0.108	NONE	350-7-10018754	
1	1.623	0.094	COPPER	5-7-29-3	
1	1.623	0.095	SILVER	5-7-29-4	

† Part is available until supply is exhausted



Conversion Kit Number	Series Joined	Converts Yokes Using Kit Number	Greasable	Page Number
			Y=Yes N=No	
5-134X	Spicer 1310 to Spicer 1330	5-153X and 5-213X	Y	262
5-186X*	Spicer 1850 to Mechanics 9C (HWD)	5-85X and 5-9111X	Y	271
5-187X*	Spicer 1850 to Mechanics 9C(HWT)	5-182X and 5-9122X	Y	271
5-212X	Mechanics S44 to Spicer 1330/Cleveland S55	5-3147X and 5-1203X	Y	270
5-220X*	Spicer 1550 to Mechanics 6C (LWT)	5-155X and 5-6144X	Y	271
5-221X*	Spicer 1550 to Mechanics 6BL	5-155X and 5-6006X	Y	271
5-248X	Spicer 1110 to Mechanics 2CL	5-111X and 5-2173X	Y	269
5-291X	Spicer 1310 to Mechanics 2C (LWT)	5-153X and 5-2002X	Y	271
5-324X	Spicer 1810 to Mechanics 9C (HWD)	5-281X and 5-9111X	Y	279
5-326X	Spicer 1880 to Mechanics 9C (HWD)	5-328X and 5-9111X	Y	279
5-327X	Spicer 1880 to Mechanics 9C (HWT)	5-328X and 5-9122X	Y	279
5-328X	Spicer 1550 to Rockwell 58WB (HWD)	5-155X and 5-5800X	Y	271
5-329X*	Spicer 1550 to Rockwell 58WB (LWT)	5-155X and 5-5801X	Y	271
5-330X	Spicer 1650 to Mechanics 7C (HWD)	5-165X and 5-7111X	Y	271
5-331X*	Spicer 1650 to Mechanics 7C (LWT)	5-165X and 5-7000X	Y	271
5-345X	Spicer 1410 to Mechanics 4C (HWD)	5-160X and 5-4111X	Y	271
5-346X*	Spicer 1410 to Mechanics 4C (LWT)	5-160X and 5-4144X	Y	271
5-347X*	Spicer 1480 to Mechanics 5C (HWD)	5-188X and 5-5111X	Y	271
5-348X*	Spicer 1480 to Mechanics 5C (HWT)	5-188X and 5-5000X	Y	271
5-353X*	Spicer 1310 to Detroit 7260	5-153X and 5-1306X	Y	269
5-354X*	Spicer 1310 to Detroit 7290	5-153X and 5-1309X	Y	270
5-355X*	Spicer 1310 to Detroit 7290	5-1203X and 5-1309X	Y	
5-356X*	Spicer 1310 to Mechanics 3CL (LWT)	5-153X and 5-3144X	Y	271
5-357X	Spicer 1410 to Chrysler 5380	5-1206X and 5-1301X	Y	270
5-430X	Spicer 1000 to Rockwell L6N	5-170X and 5-92X	Y	266
5-460X	Spicer 1310 to Spicer 1350	5-153X and 5-178X	Y	262
5-527X*	Chrysler/Detroit 7260 to Chrysler/Detroit 7290	5-1306X and 5-1309X	Y	266
5-541X*	Saginaw S44 to Spicer 1330/Cleveland S55	5-3147X and 5-1203X	Y	269
5-544X*	Spicer 1310 to Saginaw S44	5-153X and 5-3147X	N	
5-648X	Spicer 1330 to Spicer 1350	5-213X and 5-178X	Y	264
5-1312X*	Saginaw S44 to Cleveland P55-55-675	5-3147X and 5-1204X	Y	270
5-1313X*	Spicer 1350 to Cleveland P55-55-675	5-178X and 5-1204X	Y	264, 270
5-3022X*	Spicer 1310 to Saginaw S44	5-153X and 5-3147X	Y	269
5-3163X*	Chrysler/Detroit 7260 to and Saginaw S44	5-1309X and 5-3147X	N	268
5-7437X	Spicer 1330 to Detroit 7290	5-213X and 5-1309X	N	270
5-599X*	Spicer 1330 to Detroit 7260	5-213X and 5-1306X	N	269
5-7436X	Spicer 1330 to Detroit 7260	5-213X and 5-1306X	N	269
5-3248X	Spicer 1350 to Spicer Cleveland P55-55-675	5-178X and 5-1204X	N	264
5-3222X	Spicer 1310 to Detroit 7290	5-153X and 5-1309X	Y	270
5-3249X	Spicer 1310 to Spicer 1310WJ	5-153X and 5-260X	Y	269
5-3255X	Cleveland P55-55-675 to Saginaw S44	5-1204X and 5-3147X	Y	270
5-3246X	Spicer 1330 to Detroit 7260	5-213X and 5-1306X	Y	269
5-796X*	Spicer 1330 to Detroit 7290	5-213X and 5-1309X	N	270
6C-5X	Spicer 1550 to Mechanics 6C (LWT)	5-155X and 5-6144X	Y	271
6C-3X	Spicer 1550 to Mechanics 6BL	5-155X and 5-6006X	Y	271
5-3022-1X	Spicer 1310 to Saginaw S44	5-153X and 5-3147X	Y	269
5C-3X	Spicer 1480 to Mechanics 5C/5BL	5-188X and 5-5111X	Y	271
5C-5X	Spicer 1480 to Mechanics 5C/5BL	5-188X and 5-5000X	Y	271
5-788X	Spicer 1310 to Detroit 7260	5-153X and 5-1306X	Y	269
5-3244X	Chrysler/Detroit 7260 to Chrysler/Detroit 7290	5-1306X and 5-1309X	Y	266
5-621X	Spicer 1330/Cleveland S55 and Saginaw S44	5-1203X and 5-3147X	Y	269
5-3247X	Spicer 1310 to Mechanics 2.5R	5-153X and 5-3219-1X	Y	269
15-134X	Spicer 1310 to Spicer 1330	5-153X and 5-213X	Y	262
15-324X	Spicer 1810 to Mechanics 9C (HWD)	5-281X and 5-9111X	Y	279
15-353X	Spicer 1310 to Detroit 7260	5-153X and 5-1306X	Y	269
5-2140X	Spicer 1310 to Mechanics 2R	5-153X and 5-2011X	Y	269
5-3205X	Spicer 1350 to Saginaw S44	5-178X and 5-3147X	Y	270
5-3227X	Spicer 1330 to Detroit 7290	5-213X and 5-1309X	Y	270
5-450X	Spicer 1610 to Bradley WB	5-279X and Bradley WB	Y	279
5-642X	Spicer 1880 to Mechanics 9C (HWD)	5-308X and 5-9111X	Y	279
5-793X	Spicer 1330 to Saginaw S44	5-213X and 5-3147X	Y	270
5003097*	Spicer 1310 to Saginaw S44	5-153X and 5-3147X	N	269

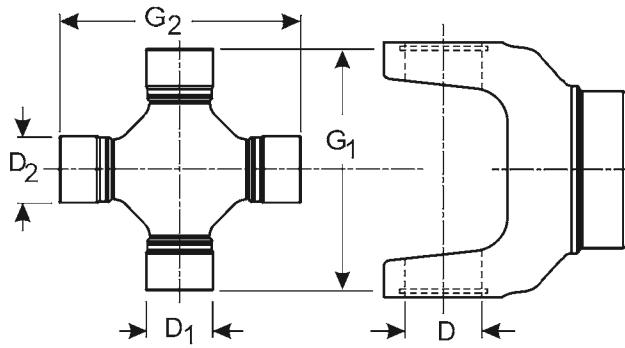
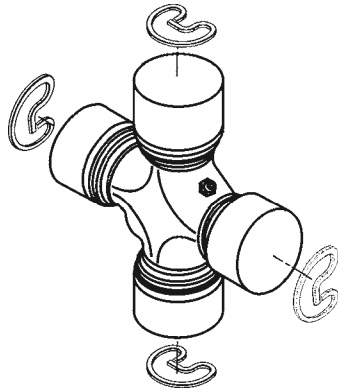
\* Part has been discontinued



**OUTSIDE SNAP RING (OSR) STYLE**

G1 Over Caps	D1 Inside Bearing Cap Diameter	G2 Over Caps	D2 Outside Bearing Cap Diameter	OE Manufacturer	OE Series	Converts		Greaseable Y=Yes N=No	Spicer Part #	Notes
						From This Series	To This Series Part			
1.732	0.811	1.732	0.811	Spicer Italcardano	44-B			N	050576000	
1.850	0.732	1.850	0.732	Spicer Italcardano	47-B			Y	050560000	45° Zerk is located in center of cross
1.909	0.748	1.909	0.748		0400SG			N	5-3256X	
2.046	0.750	2.046	0.750	Spicer Italcardano	U-30			Y	050910000	90° Zerk is located in center of cross
2.126	0.866	2.126	0.866	Bondioli Pavesi	Series 1			Y	5-3200X	
2.165	0.787	2.165	0.787		Kubota			Y	5-3258-1X	
2.165	0.866	2.165	0.866	Walterscheid	2100			Y	040116*	040116 was replaced by 5-3233X
2.150	0.866	2.150	0.866	Walterscheid	2100			Y	5-3233X	
2.409	0.938	2.409	0.938	Spicer	1100-SG			Y	5-102X*	
2.411	0.938	2.411	0.938	Spicer Italcardano	61-B or 1100			Y	050701000	
2.411	0.938	2.411	0.938	Spicer	1100			Y	5-111X*	5-111X was replaced by 5-101X
2.411	0.938	2.411	0.938	Spicer	1100			N	5-101X	
2.438	1.062	2.438	1.062	Spicer	1210			N	5-526X*	5-526X was replaced by 5-443X; has metal back seals
2.438	1.062	2.438	1.062	Spicer	1210			N	5-547X*	5-547X was replaced by 5-443X; has spacer in bearing cap; has metal back seals
2.438	1.062	2.438	1.062	Spicer	1210			Y	5-443X	Lube fitting in bearing cap
2.438	1.062	2.438	1.062	Spicer	1210			Y	5-554X*	Lube fitting in bearing cap; has metal back seals
2.438	1.062	2.438	1.062	Spicer	1210			N	5-736X*	
2.456	1.062	2.456	1.062	Spicer	1210WJ			N	5-3215X	
2.498	0.984	2.498	0.984	Dodge Colt	Dodge			Y	5-1503X	
2.648	1.063	2.648	1.063		Saturn			Y	5-3241X	
2.679	1.125	2.679	1.125	Rockwell	L14N/1240			Y	5-129X	
2.755	1.024	2.755	1.024		Suzuki			Y	5-3257X	
2.764	1.063	2.764	1.063	Bondioli Pavesi	Series 3			Y	5-3232X	
2.931	0.882	2.931	0.882	Rockwell	1FR-AG			Y	5-264X	4-round knurled caps; no bearings in bearing cap
2.933	1.063	2.933	1.063	Walterscheid	2300			Y	044444*	
2.937	1.063	2.937	1.063	Bondioli Pavesi	Series 4			Y	5-3204X	
2.938	1.063	2.938	1.063	Spicer	1300			Y	5-4X*	5-4X was replaced by 5-3214X
2.937	1.062	2.937	1.062	Spicer	1300			Y	5-3214X	
2.939	1.062	2.939	1.062	Spicer Italcardano	75-B			Y	050585000	
2.993	1.260	2.993	1.260	Walterscheid	2400			Y	312410*	312410 was replaced by 5-3235X
2.992	1.260	2.992	1.260	Walterscheid	2400			Y	5-3235X	
3.000	0.985	3.000	0.985		Chrysler/ Mitsubishi			Y	5-3217X	
3.059	1.123	3.059	1.123		Toyota			Y	5-3224X	
3.207	1.250	3.207	1.250	Rockwell	35N/1340			Y	5-243X	
3.219	1.062	3.219	1.062	Spicer	1310			N	5-785X*	5-785X was replaced by 5-1310X; Spicer Life Series
3.219	1.062	3.219	1.062	Spicer	1310/SPL22			N	SPL22-1X*	SPL22-1X was replaced by 5-1310X

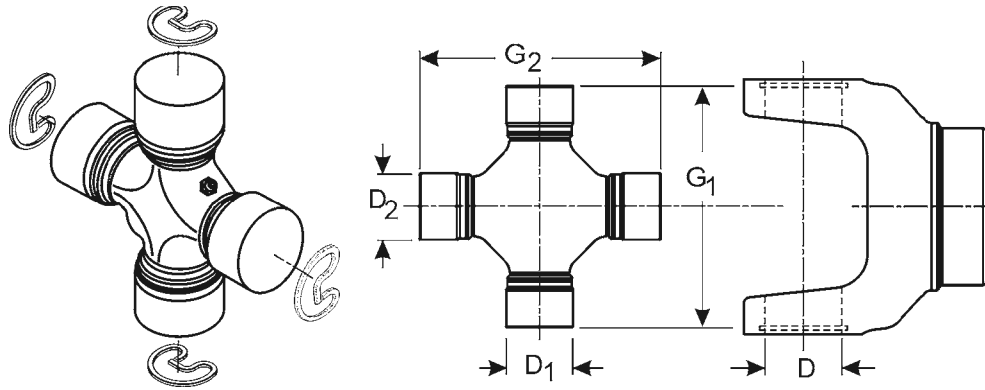
\* Part has been discontinued † Part is available until supply is exhausted ‡ Not sold separately



**OUTSIDE SNAP RING (OSR) STYLE (CONTINUED)**

G1	D1	G2	D2	OE Manufacturer	OE Series	Converts		Greasable Y=Yes N=No	Spicer Part #	Notes
						From This Series	To This Series Part			
3.219	1.062	3.219	1.062	Spicer	1310/SPL22			N	5-1310X	
3.219	1.062	3.219	1.062	Spicer	1310			Y	5-278X*	5-278X was replaced by 5-153X; flush lube fitting in cross
3.219	1.062	3.219	1.062	Spicer	1310			Y	5-419X†	5-419X will be replaced by 5-153X when supply is exhausted; has metal back seals
3.219	1.062	3.219	1.062	Spicer	1310			Y	5-477X*	5-477X was replaced by 5-153X; has black seals
3.219	1.062	3.219	1.062	Spicer	1310			Y	5-511X*	5-511X was replaced by 5-153X; has long grease Zerk
3.219	1.062	3.219	1.062	Spicer	1310			Y	5-153X	
3.219	1.062	3.219	1.062	Spicer	1310			N	5-611-1X*	Includes various thickness snap rings
3.219	1.062	3.219	1.062	Spicer	1310			N	5-786X*	5-786X was replaced by 5-3613X; coated bearing caps; Spicer Life Series
3.219	1.062	3.219	1.062	Spicer	1310/SPL22			N	SPL22-2X*	SPL22-2X was replaced by 5-3613X; coated bearing caps
3.219	1.062	3.219	1.062	Spicer	1310			N	5-3613X	Coated bearing caps; Spicer Life Series
3.219	1.062	3.219	1.062	Spicer	1310			Y	5-255X*	5-255X was replaced by 5-1310-1X; has metal back seals
3.219	1.062	3.219	1.062	Spicer	1310			Y	5-810X†	5-810X will be replaced by 5-1310-1X when supply is exhausted; lube fitting in bearing cap; Spicer Life Series
3.219	1.062	3.219	1.062	Spicer	1310-CV			Y	5-433-1X*	5-433-1X was replaced by 5-1310-1X; lube fitting in bearing cap
3.219	1.062	3.219	1.062	Spicer	SPL22			Y	SPL22-7X*	SPL22-7X was replaced by 5-1310-1X; Spicer Life Series
3.219	1.062	3.219	1.062	Spicer	1310/SPL22			Y	5-1310-1X	Lube fitting in bearing cap
3.219	1.062	3.219	1.125	Spicer	1310SPEC			Y	5-719X*	
3.219	1.062	3.219	1.125	Spicer	1310SPEC			N	5-787X*	5-787X was replaced by 5-7439X; Spicer Life Series
3.219	1.062	3.219	1.125	Spicer	1310SPEC			Y	5-1201X*	5-1201X was replaced by 5-7439X
3.219	1.062	3.219	1.125	Spicer	1310SPEC/SPL22	S55	SPL22	N	SPL22-3X*	SPL22-3X was replaced by 5-7439X
3.219	1.062	3.219	1.125	Spicer	S55/1310	S55	1310	N	5-7439X	
3.219	1.062	3.625	1.062	Spicer	1310/1330	1310	1330	Y	15-134X	SVL by Dana
3.219	1.062	3.219	1.062	Spicer	1310			Y	15-153X	SVL by Dana
3.219	1.062	3.625	1.062	Spicer	1310/1330	1310	1330	Y	5-134X	
3.219	1.062	3.625	1.188	Spicer	1310/1350	1310	1350	Y	5-460X	
3.268	1.181	3.268	1.181		ZF			N	5-3262X	
3.496	1.417	3.496	1.417	Walterscheid	Series 2500			Y	5-3237X	
3.503	1.417	3.503	1.417	Walterscheid	2500			Y	312209*	312209 was replaced by 5-3234X
3.150	1.189	3.150	1.189	Bondioli Pavesi	Series 5			Y	5-3234X	
3.607	1.066	3.607	1.066	Visteon	1330			Y	5-3253X	
3.612	1.188	3.612	1.188	AAM	AAM 1355			N	5-3208X	
3.622	1.181	3.622	1.181	Walterscheid	W220			Y	041662*	041662 was replaced by 5-3236X
3.622	1.189	3.622	1.189	Bondioli Pavesi	Series 6			Y	5-3236X	

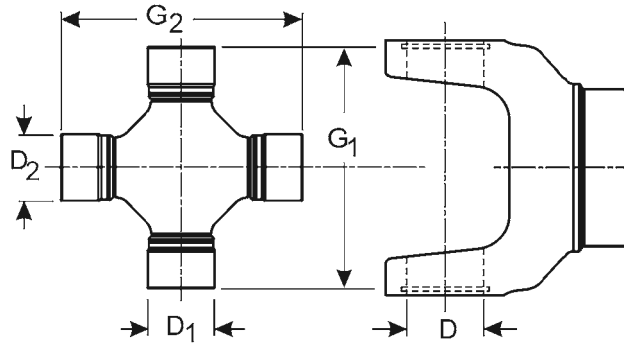
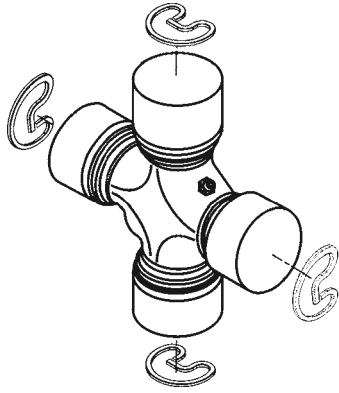
\* Part has been discontinued † Part is available until supply is exhausted ‡ Not sold separately



**OUTSIDE SNAP RING (OSR) STYLE (CONTINUED)**

G1	D1	G2	D2	OE Manufacturer	OE Series	Converts		Greaseable Y=Yes N=No	Spicer Part #	Notes
						From This Series	To This Series Part			
3.625	1.062	3.625	1.062	Spicer	1330			Y	5-1203X	
3.625	1.062	3.625	1.062	Spicer	1330			Y	5-273X*	5-273X was replaced by 5-213X; has metal back seals
3.625	1.062	3.625	1.062	Spicer	1330			Y	5-213X	
3.625	1.062	3.625	1.062	Spicer	1330			N	5-791X*	5-791X was replaced by 5-3614X; coated bearing caps; Spicer Life Series
3.625	1.062	3.625	1.062	Spicer	1330/SPL25			N	SPL25-2X*	SPL25-2X was replaced by 5-3614X; coated bearing caps
3.625	1.062	3.625	1.062	Spicer	1330/SPL25			N	5-3614X	Coated bearing caps; Spicer Life Series
3.625	1.062	3.625	1.062	Spicer	1330			N	5-618X*	5-618X was replaced by 5-1330X
3.625	1.062	3.625	1.062	Spicer	1330			N	5-790X*	5-790X was replaced by 5-1330X; Spicer Life Series
3.625	1.062	3.625	1.062	Spicer	SPL25/1330			Y	5-812X*	5-812X was replaced by 5-1330-1X; Spicer Life Series
3.625	1.062	3.625	1.062	Spicer	SPL25			N	5001919*	5001919 was replaced by 5-1330-1X; lube fitting in bearing cap
3.625	1.062	3.625	1.062	Spicer	1330/SPL25			N	SPL25-1X*	SPL25-1X was replaced by 5-1330X
3.625	1.062	3.625	1.062	Spicer	1330/SPL25			N	5-1330X	
3.625	1.062	3.625	1.125	Spicer	1330SPEC			N	5-792X*	5-792X was replaced by 5-7438X; Spicer Life Series
3.625	1.062	3.625	1.125	Spicer	1330SPEC/ SPL25			N	SPL25-3X*	SPL25-3X was replaced by 5-7438X
3.625	1.062	3.625	1.125	Spicer	1330SPEC/ SPL25			N	5-7438X	
3.625	1.062	3.625	1.125	Spicer		1330	1330SPEC	N	5-538X	
3.625	1.062	3.625	1.125	Spicer	1330SPEC			Y	5-1204X	
3.625	1.188	3.625	1.188	Spicer	1350/SPL30			N	SPL30-3X*	2-uncoated, 2-coated bearing caps
3.625	1.188	3.625	1.188	Spicer	1350/SPL30			N	SPL30-4X*	
3.625	1.188	3.625	1.188	Spicer	1350			Y	5-174X	Has metal back seals
3.625	1.188	3.625	1.188	Spicer	1350			Y	5-480X*	5-480X was replaced by 5-178X
3.625	1.188	3.625	1.188	Spicer	1350			Y	5-584X*	5-584X was replaced by 5-178X; same as 5-178X except includes 45° Zerk
3.625	1.188	3.625	1.188	Spicer	1350			Y	5-178X	
3.625	1.188	3.625	1.188	Spicer	1350			Y	15-178X	SVL by Dana
3.625	1.188	3.625	1.188	Spicer	1350			N	5-447X*	5-447X was replaced by 5-3615X; coated bearing caps
3.625	1.188	3.625	1.188	Spicer	1350			N	5-800X*	5-800X was replaced by 5-3615X; coated bearing caps; Spicer Life Series
3.625	1.188	3.625	1.188	Spicer	1350/SPL30			N	SPL30-2X*	SPL30-2X was replaced by 5-3615X; coated bearing caps
3.625	1.188	3.625	1.188	Spicer	1350			N	5-3615X	Coated bearing caps
3.625	1.188	3.625	1.188	Spicer	1350WJ			N	5-282X*	5-282X was replaced by 5-1350X; has metal back seals
3.625	1.188	3.625	1.188	Spicer	1350WJ			N	5-86X*	5-86X was replaced by 5-1350X; used in closed end Spicer front axle; no bearing cap seals

\* Part has been discontinued † Part is available until supply is exhausted ‡ Not sold separately

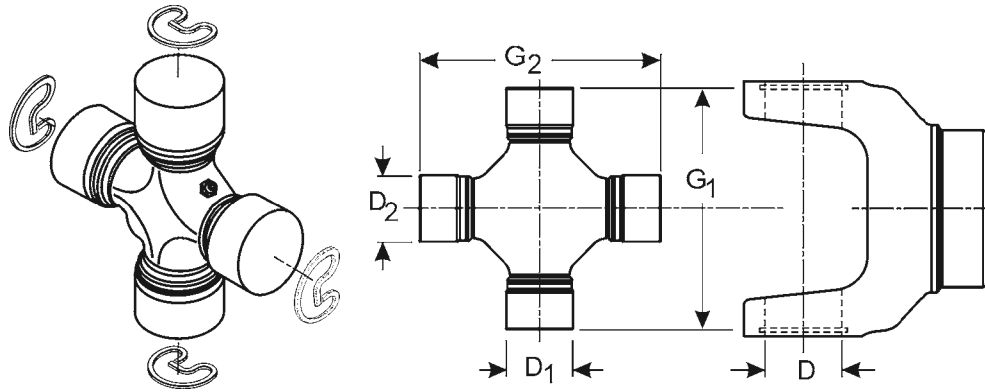


**OUTSIDE SNAP RING (OSR) STYLE (CONTINUED)**

G1	D1	G2	D2	OE Manufacturer	OE Series	Converts		Greasable Y=Yes N=No	Spicer Part #	Notes
						From This Series	To This Series Part			
3.625	1.188	3.625	1.188	Spicer	1350			N	5-799X*	5-799X was replaced by 5-1350X; Spicer Life Series
3.625	1.188	3.625	1.188	Spicer	1350/SPL30			N	SPL30-1X*	SPL30-1X was replaced by 5-1350X
3.625	1.188	3.625	1.188	Spicer	1350/SPL30			N	5-1350X	
3.625	1.188	3.625	1.188	Spicer	1350			N	5-471X*	5-471X was replaced by 5-1350-1X; has metal back seals - spec for U.S. government
3.625	1.188	3.625	1.188	Spicer	1350			Y	5-542X*	5-542X was replaced by 5-1350-1X; has metal back seals
3.625	1.188	3.625	1.188	Spicer	1350/SPL30			Y	5-1350-1X	Lube fitting in bearing cap
3.625	1.062	3.625	1.125	Spicer	1330SPEC			Y	15-1204X	SVL by Dana
3.625	1.062	3.625	1.062	Spicer	1330			Y	15-213X	SVL by Dana
3.625	1.062	3.625	1.062	Spicer	1330/SPL25			Y	5-1330-1X	
3.625	1.062	3.625	1.062	Spicer	1330/SPL25			Y	5-1330-1X	
3.625	1.062	3.625	1.188	Spicer	1330/1350	1330	1350	Y	5-648X	
3.625	1.125	3.625	1.188	Cleveland	P55	1350	P55	Y	5-1313X*	5-1313X was replaced by 5-3248X
3.625	1.125	3.625	1.188	Spicer	1330SPEC/1350	1330SPEC	1350	Y	5-3248X	
3.693	1.374	3.693	1.374	Bondioli Pavesi	Series 7			Y	5-3238X	
3.767	1.260	3.767	1.260	Spicer Italcardan	96-B			Y	050207000	
3.787	1.066	3.787	1.066	Visteon Special	Staked Replacement			N	5-3203X	
3.900	1.005	3.900	1.005	Borg Warner	3DR			Y	5-265X	4-round knurled caps - no hardware included
4.173	1.374	4.173	1.374	Bondioli Pavesi	Series 8			Y	5-3240X	
4.178	1.375	4.178	1.375	AAM	AAM 1485			N	5-3206X	
4.178	1.188	4.178	1.188	AAM	AAM 1415			N	5-3207X	
4.188	1.188	4.188	1.188	Spicer	1410			N	5-641X*	5-641X was replaced by 5-1410X
4.188	1.188	4.188	1.188	Spicer	1410			Y	5-462X*	5-462X was replaced by 5-1410-1X; has metal back seals
4.188	1.188	4.188	1.188	Spicer	1410			N	5-801X*	5-801X was replaced by 5-1410X; Spicer Life Series
4.188	1.188	4.188	1.188	Spicer	1410/SPL36			N	SPL36-1X*	SPL36-1X was replaced by 5-1410X
4.188	1.188	4.188	1.188	Spicer	1410/SPL36			N	SPL36-3X*	SPL36-3X was replaced by 5-1410X
4.188	1.188	4.188	1.188	Spicer	1410/SPL36			N	5-1410X	
4.188	1.188	4.188	1.188	Spicer	1410/SPL36			N	SPL36-2X*	SPL36-2X was replaced by 5-3616X; coated bearing caps
4.188	1.188	4.188	1.188	Spicer	1410			N	5-3616X	Coated bearing caps; Spicer Life Series
4.188	1.188	4.188	1.188	Spicer	1410/SPL36			N	SPL36-4X*	
4.188	1.188	4.188	1.188	Spicer	1410			N	5-429X*	Has metal back seals
4.188	1.188	4.188	1.188	Spicer	1410			Y	5-481X*	5-481X was replaced by 5-160X
4.188	1.188	4.188	1.188	Spicer	1410			Y	5-160X	
4.188	1.375	4.188	1.375	Spicer	1480/SPL55			N	SPL55-2X*	
4.188	1.375	4.188	1.375	Spicer	1480			Y	5-263X*	5-263X was replaced by 5-188X

\* Part has been discontinued † Part is available until supply is exhausted ‡ Not sold separately

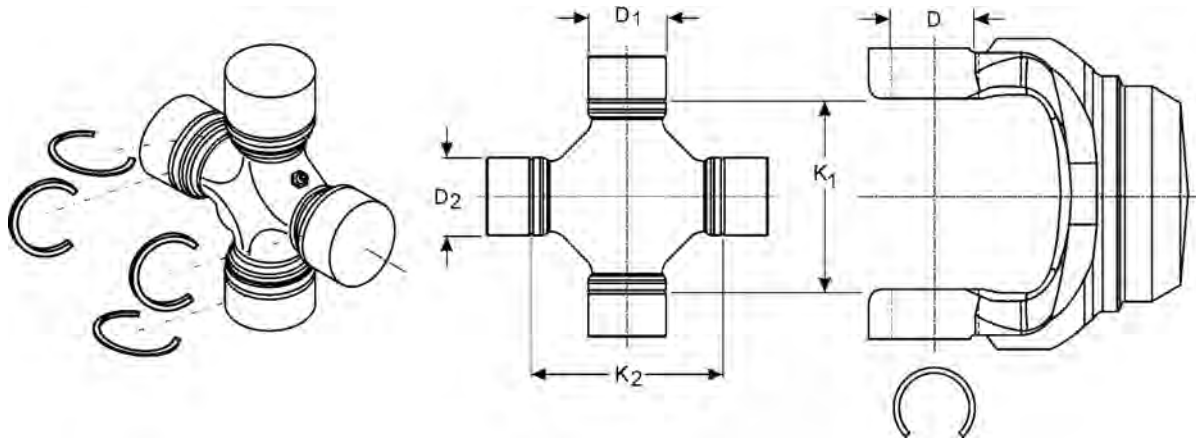




**OUTSIDE SNAP RING (OSR) STYLE (CONTINUED)**

G1 Over Caps	D1 Inside Bearing Cap Diameter	G2 Over Caps	D2 Outside Bearing Cap Diameter	OE Manufacturer	OE Series	Converts		Greasable Y=Yes N=No	Spicer Part #	Notes
						From This Series	To This Series Part			
4.188	1.375	4.188	1.375	Spicer	1480			Y	5-482X*	5-482X was replaced by 5-188X
4.188	1.375	4.188	1.375	Spicer	1480			Y	5-188X	
4.188	1.375	4.188	1.375	Spicer	1480			Y	15-188X	SVL by Dana
4.188	1.375	4.188	1.375	Spicer	1480			N	5-803X*	5-803X was replaced by SPL55X; Spicer Life Series
4.188	1.375	4.188	1.375	Spicer	1480/SPL55			N	SPL55X	
4.188	1.375	4.188	1.375	Spicer	1480			N	5-319X*	5-319X was replaced by SPL55-1X; has metal back seals
4.188	1.375	4.188	1.375	Spicer	SPL55/1480			Y	5-804X*	5-804X was replaced by SPL55-1X; Spicer Life Series
4.188	1.375	4.188	1.375	Spicer	1480/SPL55			Y	SPL55-1X	
4.188	1.188	4.188	1.188	Spicer	1410			Y	15-160X	SVL by Dana
4.188	1.188	4.188	1.188	Cleveland	055			Y	15-1206X	SVL by Dana
4.188	1.188	4.188	1.188	Cleveland	055			Y	5-1206X*	5-1206X was replaced by 5004989
4.188	1.188	4.188	1.188	Cleveland	SPL36/055			N	5004989	
4.188	1.188	4.188	1.188	Spicer	1410/SPL36			Y	5-1410-1X	Lube fitting in bearing cap
4.188	1.375	4.188	1.375	Walterscheid	2200			Y	044439*	
4.232	1.614	4.232	1.614	Bondioli Pavesi	Series 7			Y	5-3239X	
4.312	1.531	4.312	1.531	Rockwell	55N			Y	5-432X*	5-432X was replaced by 5-3225X
4.307	1.533	4.307	1.533	Rockwell	55N			Y	5-3225X	
4.946	1.375	4.946	1.375	AAM	AAM 1555			N	5-3230X	
4.957	1.625	4.957	1.625	Spicer	SPL90			Y	SPL90X*	SPL90X was replaced by SPL100-1X
4.957	1.625	4.957	1.625	Spicer	SPL100			Y	SPL100-1X	Dimensionally same as SPL90X
4.964	1.375	4.964	1.375	Spicer	1550			Y	5-304X*	5-304X was replaced by 5-155X; OEM kit
4.964	1.375	4.964	1.375	Spicer	1550			Y	5-483X*	5-483X was replaced by 5-155X
4.964	1.375	4.964	1.375	Spicer	1550			Y	5-543X*	5-543X was replaced by 5-155X; has metal back seals
4.964	1.375	4.964	1.375	Spicer	1550			Y	5-155X	
4.964	1.375	4.964	1.375	Spicer	1550			Y	5-546X*	2 snap rings and 2 thrust plates w/ metric bolts
4.964	1.375	4.964	1.375	Spicer	1550			N	5-808X*	5-808X was replaced by SPL70X; Spicer Life Series
4.964	1.375	4.964	1.375	Spicer	1550/SPL70			N	SPL70X	
4.964	1.375	4.964	1.375	Spicer	1550			Y	5-275X†	5-275X will be replaced by SPL70-1X when supply is exhausted; has metal back seals
4.964	1.375	4.964	1.375	Spicer	1550			Y	5-778X*	5-778X was replaced by SPL70-1X; same as 5-275X but has 45° Zerk and metal back seals
4.964	1.375	4.964	1.375	Spicer	1550/SPL70			Y	SPL70-1X	
4.964	1.375	4.964	1.375	Spicer	1550			Y	15-155X	SVL by Dana
5.590	1.623	5.590	1.623	Spicer	1650			Y	5-165X	
6.011	1.980	6.011	1.980	Spicer Italcardano				Y	050967100	Has 3-hole plates instead of snap rings
6.772	2.559	6.772	2.559	Spicer	SPL350			Y	SPL350X	
6.772	2.559	6.772	2.559	Spicer	SPL350			N	SPL350SFX	
8.092	2.186	8.092	2.186	Spicer	1850			Y	5-185X*	

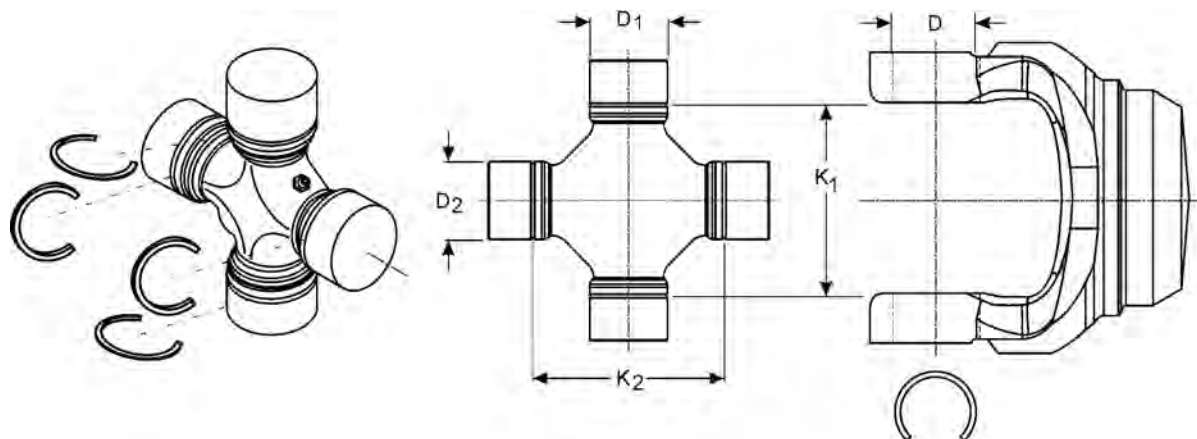
\* Part has been discontinued † Part is available until supply is exhausted ‡ Not sold separately



**INSIDE SNAP RING (ISR) STYLE**

K1 Between Snap Rings	D1 Inside Bearing Cap Diameter	K2 Between Snap Rings	D2 Outside Bearing Cap Diameter	OE Manufacturer	OE Series	Converts		Greaseable Y=Yes N=No	Spicer Part #	Notes
						From This Series	To This Series Part			
1.400	0.867	1.400	0.867	Toyota/Nissan	Staked Replacement			Y	5-3202X	Lube fitting in bearing cap
1.445	0.971	1.445	0.971	Rockwell	L6N			Y	5-92X	
1.482	0.886	1.482	0.886	Mazda				N	5-1514X	
1.496	0.787	1.496	0.787	Datsun-Toyota				N	5-1500X	
1.500	0.938	1.445	0.971	Rockwell	L6N	1000	L6N	Y	5-430X	
1.500	0.938	1.500	0.938	Spicer	1000			N	5-110X	
1.500	0.938	1.500	0.938	Spicer	1000SG			Y	5-755X*	Used in aluminum steering shafts
1.500	0.938	1.500	0.938	Spicer	1000			Y	5-170X	Used in PTO shafts
1.500	0.938	1.500	0.938	Spicer	1000			Y	5-170-1X	Lube fitting in bearing cap
1.500	0.938	1.500	0.938	Spicer	1000SG			Y	5-103X	Used in steel steering shafts
1.500	0.938	1.500	0.938	Spicer	1000			Y	15-170X	SVL by Dana
1.640	1.062	1.640	1.062	Spicer	1210WJ			N	5-456X*	5-456X was replaced by 5-3215X
1.629	1.062	1.629	1.062	Spicer	1210WJ			N	5-3215X	
1.718	1.000	1.718	1.000	Spicer	1100			Y	5-105X	
1.721	0.984	1.721	0.984	Mazda				Y	5-3229X	
1.723	0.984	1.723	0.984	Mazda				N	5-1504X*	
1.734	0.984	1.734	0.984	Datsun				N	5-1501X	
1.828	1.062	1.828	1.062	Rockwell	L12N	1140	L12N	Y	5-242X	
1.830	1.126	1.830	1.126		Howes 14			Y	5-3265X	
1.843	1.024	1.843	1.024	Toyota				Y	5-3223X	
1.900	0.947	1.900	0.947	BMW/Mazda	Staked Replacement			Y	5-3201X	Lube fitting in bearing cap
1.923	1.062	1.923	1.062		Nissan/Infiniti			Y	5-3218X	
1.980	1.044	1.980	1.044		Kia/Mazda			Y	5-3245-1X	
2.000	1.228	2.000	1.228	Detroit	5160			Y	5-3251X	
2.047	1.142	2.047	1.142	Toyota				Y	5-1510X	
2.080	1.142	2.080	1.142	Chev Luv				Y	5-1515X	
2.118	1.125	2.118	1.125		Mechanics 2.5			Y	5-3219-1X	
2.120	1.079	2.120	1.079	Detroit	7260			Y	5-3228X	
2.125	1.078	2.125	1.078	Detroit	7260			Y	5-1306X*	5-1306X was replaced by 5-789X
2.125	1.078	2.125	1.078	Detroit	7260			Y	5-1306-1X*	5-1306-1X was replaced by 5-789X; lube fitting in bearing cap
2.125	1.078	2.125	1.078	Detroit	7260			N	SPL22-8X*	SPL22-8X was replaced by 5-789X
2.125	1.078	2.125	1.078	Detroit	7260			N	5-789X	Spicer Life Series
2.125	1.078	2.125	1.078	Mercuriser	7260			Y	5-589X*	Mercuriser kit
2.125	1.078	2.625	1.125	Detroit	7260	7260	7290	Y	5-527X*	5-527X was replaced by 5-3244X
2.125	1.078	2.625	1.125	Detroit		7290	7260	Y	5-3244X	
2.140	1.251	2.140	1.251		Howse 15			Y	5-3266X	

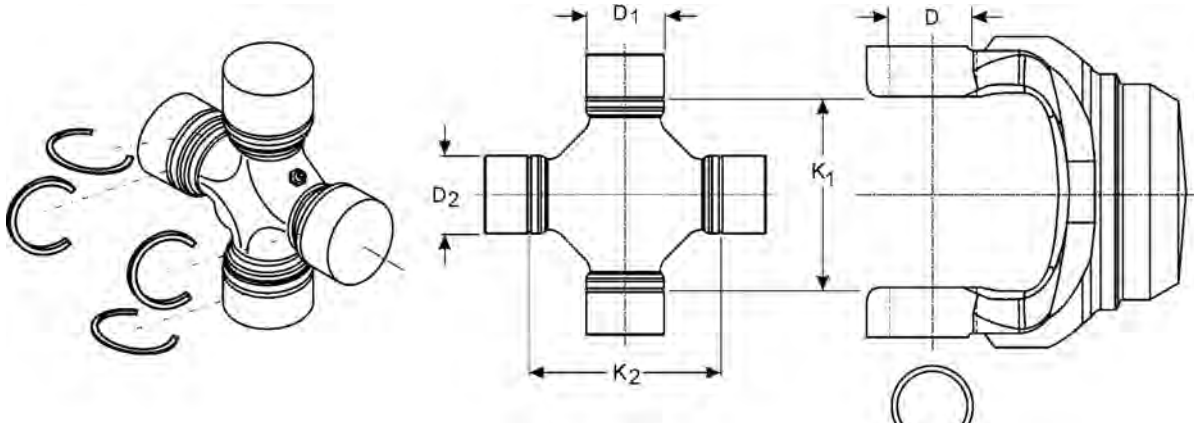
\* Part has been discontinued † Part is available until supply is exhausted ‡ Not sold separately



**INSIDE SNAP RING (ISR) STYLE (CONTINUED)**

K1 Between Snap Rings	D1 Inside Bearing Cap Diameter	K2 Between Snap Rings	D2 Outside Bearing Cap Diameter	OE Manufacturer	OE Series	Converts		Greaseable Y=Yes N=No	Spicer Part #	Notes
						From This Series	To This Series Part			
2.188	1.062	2.188	1.062	Spicer	1310WJ			N	5-74X*	5-74X was replaced by 5-260X; used in closed end; Spicer front axle
2.188	1.062	2.188	1.062	Spicer	1310WJ			Y	5-260-1X*	5-260-1X was replaced by 5-260X; lube fitting in bearing cap
2.188	1.062	2.188	1.062	Spicer	1310WJ			N	5-260X	
2.188	1.188	2.188	1.188	Spicer	1310WJ			Y	5-297-1X*	5-297-1X was replaced by 5-3226X; lube fitting in bearing cap
2.188	1.188	2.188	1.188	Spicer	1310WJ			Y	5-3226X	
2.188	1.188	2.188	1.188	Spicer	1310WJ			N	5-297X*	5-297X was replaced by 5-760X
2.188	1.188	2.188	1.188	Spicer	1310WJ			N	5-760X	
2.188	1.062	2.188	1.062	Spicer	1310WJ			N	15-260X	SVL by Dana
2.200	1.025	2.200	1.025	Toyota				Y	5-1508X	
2.208	1.102	2.208	1.102	Datsun				Y	5-1505X	
2.282	1.181	2.282	1.181		Mitsubishi			Y	5-3243X	
2.288	1.188	2.288	1.188	Spicer	SPL30			N	5004891*	5004891 was replaced by 5-7166X
2.406	1.188	2.406	1.188	Spicer	1350WJ			N	5-7166X	
2.315	1.102	2.315	1.102					Y	5-3216X	
2.337	1.000	2.337	1.000	Mechanics	2RL			Y	5-3263X	
2.337	1.000	2.337	1.000		Mechanics 2			Y	5-3242X	
2.343	1.062	2.343	1.062	Spicer	1310			Y	5-350X*	5-350X was replaced by 5-3254X
2.344	1.000	2.344	1.000	Mechanics	2R			Y	5-2011X*	5-2011X was replaced by 5-3242X
2.340	1.062	2.340	1.062	Spicer	1310			Y	5-3254X	
2.375	1.062	2.375	1.062	Cleveland	S55			Y	5-718X*	Coated bearing caps
2.375	1.062	2.375	1.062	Cleveland	S55			Y	5-1200X	
2.453	1.497	2.453	1.497	Mercedes				Y	5-1506X*	
2.520	1.260	2.520	1.260	Toyota				Y	5-1511X*	5-1511X was replaced by 5-3221X
2.520	1.260	2.520	1.260	Toyota				Y	5-3221X	
2.556	1.125	2.556	1.125	Mechanics	S44			Y	5-3147X	
2.556	1.125	2.556	1.125	Mechanics	S44			N	SPL25-6X*	SPL25-6X was replaced by 5-795X
2.556	1.125	2.556	1.125	Spicer	SPL25/S44			N	5-795X	Spicer Life Series
2.556	1.125	2.556	1.125	Mechanics	S44			Y	15-3147X	SVL by Dana

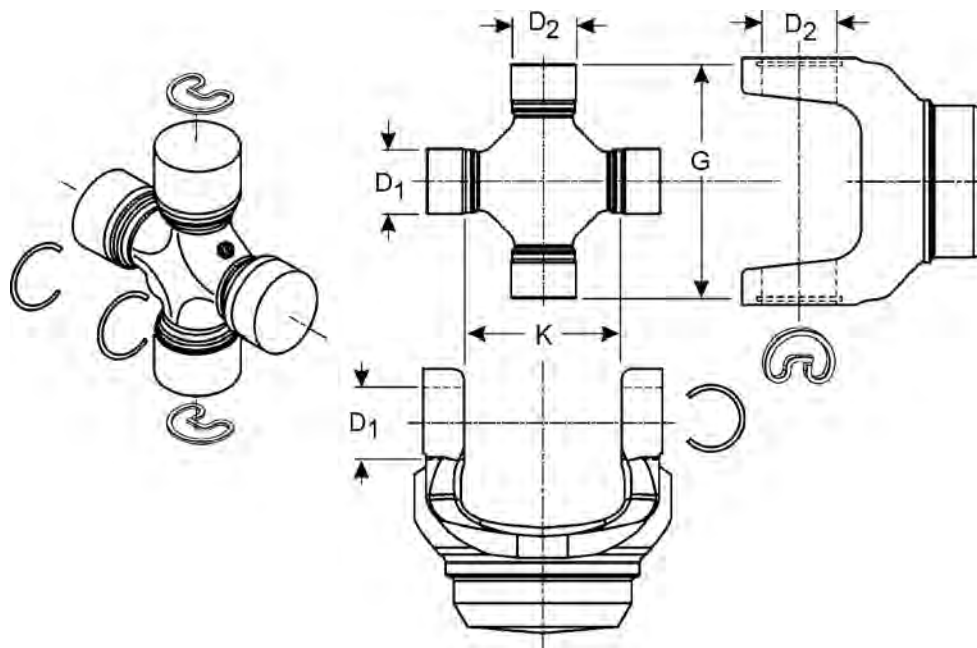
\* Part has been discontinued † Part is available until supply is exhausted ‡ Not sold separately



**INSIDE SNAP RING (ISR) STYLE (CONTINUED)**

K1 Between Snap Rings	D1 Inside Bearing Cap Diameter	K2 Between Snap Rings	D2 Outside Bearing Cap Diameter	OE Manufacturer	OE Series	Converts		Greasable Y=Yes N=No	Spicer Part #	Notes
						From This Series	To This Series Part			
2.563	1.188	2.563	1.188	Cleveland	R55			Y	5-1205X*	5-1205X was replaced by 5-3250X
2.587	1.125	2.587	1.125		AAM 1344			N	5-3211X	
2.625	1.125	2.625	1.125	Detroit	7290			N	SPL25-9X*	SPL25-9X was replaced by 5-811X
2.625	1.125	2.625	1.125	Detroit	7290			N	5-811X	Spicer Life Series
2.625	1.125	2.625	1.125	Detroit	7290			Y	5-1309X	
2.635	1.125	2.556	1.125	Detroit/ Mechanics	7290/S44	7290	S44	N	5-3163X*	
2.781	1.312	2.781	1.312	Rockwell	44R			Y	5-431X	
2.798	1.062	2.798	1.062	Spicer	1330			Y	5-1203X	
2.831	1.142	2.831	1.142		Acura/Isuzu			Y	5-3259-1X	
2.920	1.375	2.920	1.375	AAM	1485WJ			N	5006813	Spicer Life Series
2.954	1.375	2.954	1.375	AAM	1485S			N	5-3231X	
3.000	1.231	3.000	1.231	Detroit	5380			Y	5-1301X	
3.000	1.375	3.000	1.375	Spicer	1480WJ			N	5-88X*	5-88X was replaced by SPL55-3X; used in closed end; Spicer front axle
3.000	1.375	3.000	1.375	Spicer	SPL55/ 1480WJ			N	5-806X*	5-806X was replaced by SPL55-3X; wheel joint
3.000	1.375	3.000	1.375	Spicer	1480WJ			N	5-332X*	5-332X was replaced by SPL55-3X; can use 5-806X
3.000	1.375	3.000	1.375	Spicer	SPL55/ 1480WJ			N	SPL55-3X	Wheel joint; same as 5-806X
3.000	1.375	3.000	1.375	Spicer	SPL55/ 1480WJ			Y	5-807X*	5-807X was replaced by SPL55-4X; wheel joint
3.000	1.375	3.000	1.375	Spicer	SPL55/ 1480WJ			Y	SPL55-4X	Wheel joint; same as 5-807X
3.125	1.188	3.125	1.188	Cleveland	055			Y	5-1206X*	5-1206X was replaced by 5004989
3.125	1.188	3.125	1.188	Spicer	SPL36/055			N	5004989	Includes 4 inside and 4 outside snap rings
3.125	1.188	3.125	1.188	Cleveland	055			Y	15-1206X	SVL by Dana
3.250	1.125	3.250	1.125	Mechanics	4R			Y	5-4015X*	
3.737	1.375	3.737	1.375	AAM	AAM 155			N	5-3212X	
3.780	1.375	3.780	1.375	Spicer	SPL70WJ			N	SPL70-3X*	SPL70-3X was replaced by SPL70-4X
3.780	1.375	3.780	1.375	Spicer	SPL70WJ			Y	SPL70-4X	

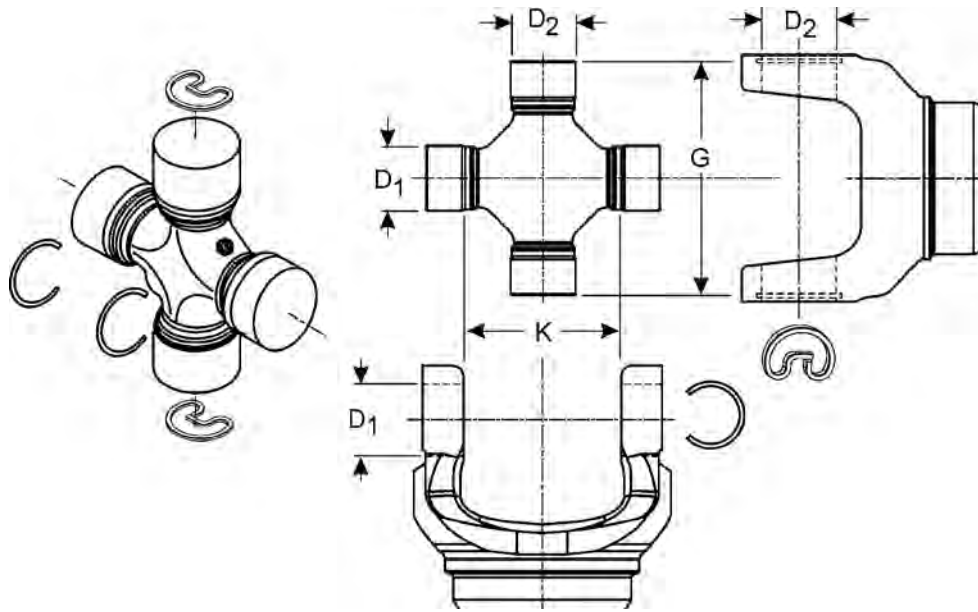
\* Part has been discontinued † Part is available until supply is exhausted ‡ Not sold separately



**OUTSIDE SNAP RING/INSIDE SNAP RING (OSR/ISR) STYLE**

K Inside Snap Ring Dimension	D1 Inside Bearing Cap Diameter	G Outside Snap Ring Dimension	D2 Outside Bearing Cap Diameter	OE Manufacturer	OE Series	Converts		Greasable Y=Yes N=No	Spicer Part #	Notes
						From This Series	To This Series Part			
1.629	1.062	2.456	1.062	Spicer	1210WJ			N	5-3215X	
1.719	1.000	2.438	1.062	Spicer	1110SPEC			Y	5-249X*	5-249X was replaced by 5-248X
1.719	1.000	2.438	1.062	Spicer	1110/1210	1110	1210	Y	5-248X	Grease Zerk in center of cross
2.049	1.142	3.219	1.062	Toyota		Toyota	1310	Y	5-721X*	
2.125	1.078	3.219	1.062	Detroit	7260	7260	1310	Y	5-353X*	5-353X was replaced by 5-788X
2.125	1.078	3.219	1.062	Detroit	7260	7260	1310	N	5-634X*	5-634X was replaced by 5-788X
2.125	1.078	3.220	1.062	Detroit	7260	7260	1310/ SPL22	N	SPL22-4X*	SPL22-4X was replaced by 5-788X
2.125	1.078	3.219	1.062	Detroit	7260	7260	1310	N	5-788X	Spicer Life Series
2.125	1.078	3.219	1.062	Detroit	7260	7260	1310	N	5-647X*	Coated bearing caps
2.125	1.078	3.625	1.062	Detroit	7260	7260	1330	Y	5-599X*	5-599X was replaced by 5-3246X
2.116	1.078	3.625	1.062	Spicer	1330/7290	7290	1330	Y	5-3246X	
2.125	1.125	3.219	1.062	Mechanics		2.5R	1310	N	5-2530X*	5-2530X was replaced by 5-3247X; plug in center of cross; lube fitting not included
2.125	1.125	3.219	1.062	Mechanics		2.5R	1310	Y	5-3247X	Plug in center of cross; lube fitting not included
2.125	1.078	3.219	1.062	Detroit	7260	7260	1310	Y	15-353X	SVL by Dana
2.181	1.062	3.219	1.062	Spicer	SPEC			Y	5-3249X	
2.324	1.062	3.219	1.062		1310SPEC			Y	5-3213X	
2.344	1.000	3.219	1.062	Spicer		2R	1310	Y	5-2140X	
2.344	1.000	3.219	1.125	Mechanics	2CL	2CL	1260	Y	5-2173X	
2.375	1.062	3.625	1.062	Cleveland	S55			Y	5-1202X*	
2.556	1.125	3.219	1.062	Mechanics	S44	S44	1310	Y	5-3022X*	5-3022X was replaced by 5-3022-1X
2.556	1.125	3.219	1.062	Mechanics	S44	S44	1310	Y	5-3022-1X	
2.556	1.125	3.625	1.062	Spicer	1330/S44			N	5-541X*	5-541X was replaced by 5-793X
2.556	1.125	3.625	1.062	Mechanics	S44	S44	1330	N	5-619X*	5-619X was replaced by 5-793X
2.556	1.125	3.625	1.062	Mechanics	S44	S44	1330	N	5-621X*	5-621X was replaced by 5-793X
2.556	1.125	3.625	1.062	Mechanics	S44	S44	1330	N	5-794X*	5-794X was replaced by 5-793X; outside snap ring caps are coated; Spicer Life Series
2.556	1.125	3.625	1.062	Mechanics	S44	S44	1330/ SPL25	N	5-7436X*	5-7436X was replaced by 5-793X
2.556	1.125	3.625	1.062				1330	N	5003097†	5003097 will be replaced by 5-793X when supply is exhausted
2.556	1.125	3.625	1.062	Mechanics	S44	S44	1330/ SPL25	N	SPL25-4X*	SPL25-4X was replaced by 5-793X

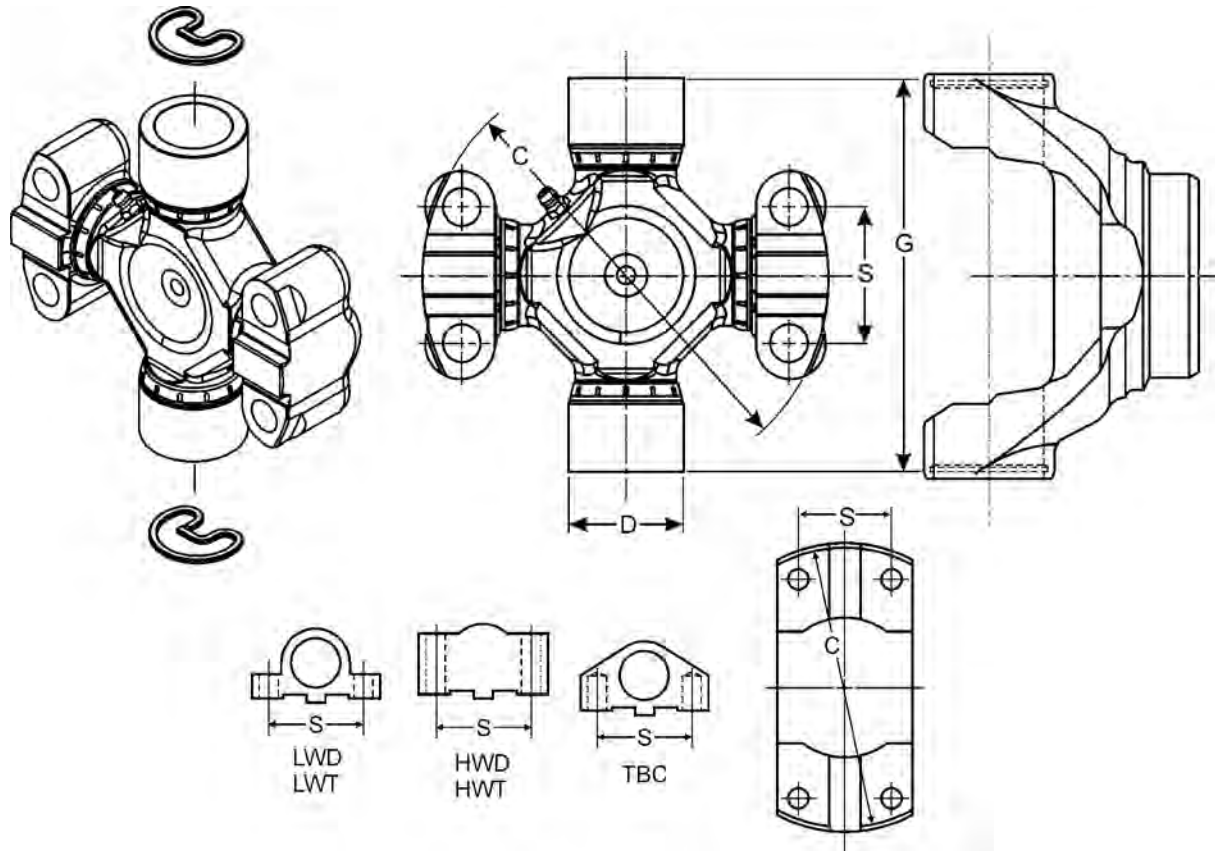
\* Part has been discontinued † Part is available until supply is exhausted ‡ Not sold separately



**OUTSIDE SNAP RING/INSIDE SNAP RING (OSR/ISR) STYLE (CONTINUED)**

K	D1	G	D2	OE Manufacturer	OE Series	Converts		Greasable Y=Yes N=No	Spicer Part #	Notes
						From This Series	To This Series Part			
2.556	1.125	3.625	1.062	Mechanics	S44	S44	1330/ SPL25	N	SPL25-5X*	SPL25-5X was replaced by 5-793X; outside snap ring caps are coated
2.556	1.125	3.625	1.062	Spicer	1330/S44			N	5-793X	Spicer Life Series
2.556	1.125	3.625	1.062	Mechanics	S44	S44	1330	Y	5-212X	
2.556	1.125	3.625	1.125	Cleveland	P55	S44	P55	Y	5-1312X*	5-1312X was replaced by 5-3255X
2.556	1.125	3.625	1.125	Cleveland	P55-55-675			Y	5-3255X	
2.556	1.125	3.625	1.188	Mechanics	1350/S44	S44	1350	Y	5-3205X	
2.563	1.188	3.625	1.188	Cleveland	R55			Y	5-3250X	
2.625	1.125	3.219	1.062	Detroit		7290	1310	Y	5-354X*	5-354X was replaced by 5-3222X
2.613	1.126	3.219	1.062	Spicer			1310	Y	5-3222X	
2.625	1.125	3.625	1.062	Detroit	7290	7290	1330	N	5-637X*	5-637X was replaced by 5-7437X
2.625	1.125	3.625	1.062	Detroit	7290	7290	1330	N	5-672X*	5-672X was replaced by 5-7437X
2.625	1.125	3.625	1.062	Detroit	7290	7290	1330	N	5-796X*	5-796X was replaced by 5-7437X; Spicer Life Series
2.625	1.125	3.625	1.062	Detroit	7290	7290	1330/ SPL25	N	SPL25-7X*	SPL25-7X was replaced by 5-7437X
2.625	1.125	3.625	1.062	Detroit	7290	7290	1330/ SPL25	N	SPL25-8X*	SPL25-8X was replaced by 5-7437X; coated bearing caps
2.625	1.125	3.625	1.062	Detroit	7290/1330	7290	1330/ SPL25	N	5-7437X	
2.625	1.125	1.062		Detroit	7290	7290	1330	Y	5-3227X	
2.767	1.062	3.625	1.125	Spicer		1330	1330SPEC	N	5-538X*	5-538X was replaced by 5-1204X
2.767	1.062	3.625	1.125	Spicer	1330SPEC				5-1204X	
2.767	1.062	3.625	1.125	Spicer	1330SPEC				15-1204X	
2.767	1.125	3.625	1.188	Cleveland	P55	1350	P55	Y	5-1313X*	5-1313X was replaced by 5-3248X
2.798	1.062	3.625	1.062	Spicer	1330			Y	5-1203X	
3.000	1.231	4.188	1.188	Detroit	5380	5380	1410	Y	5-357X	
3.125	1.188	4.188	1.188	Cleveland	055			Y	15-1206X	SVL by Dana
3.125	1.188	4.188	1.188	Cleveland	055			Y	5-1206X*	5-1206X was replaced by 5004989
3.125	1.188	4.188	1.188	Cleveland	SPL36/055			N	5004989	

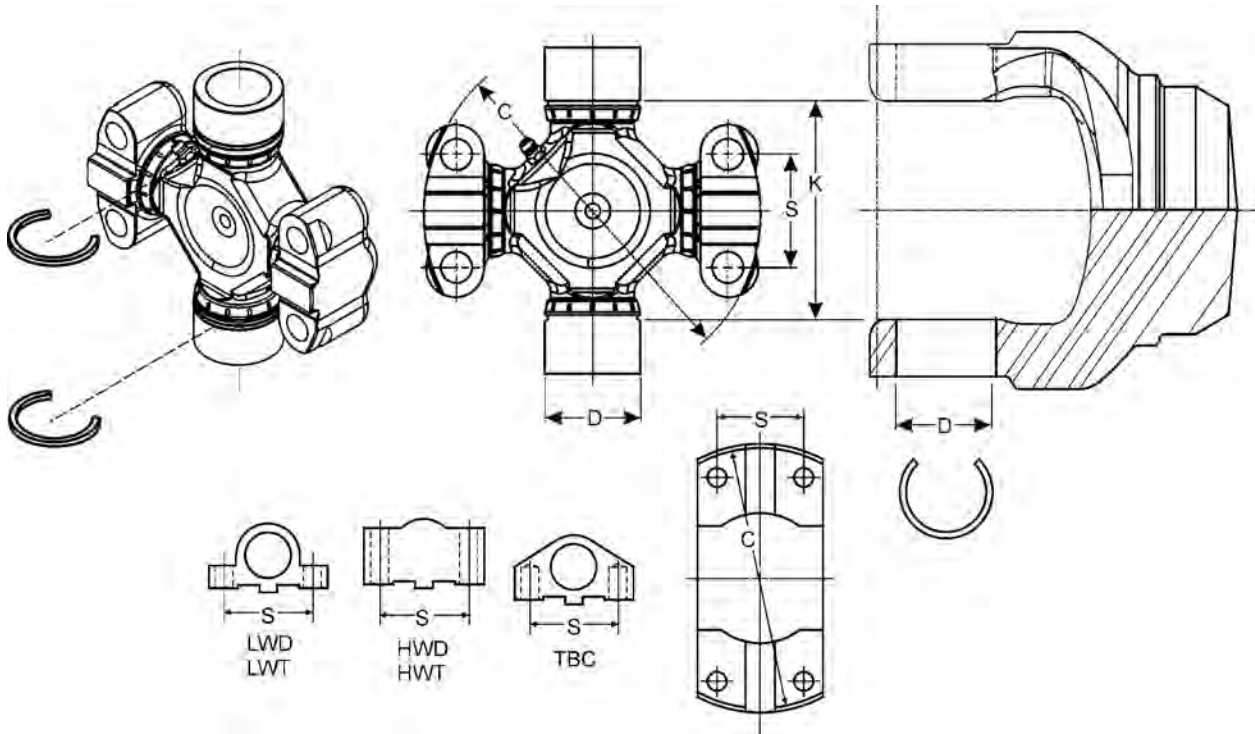
\* Part has been discontinued † Part is available until supply is exhausted ‡ Not sold separately



**OUTSIDE SNAP RING/WING BEARING (OSR/WB) STYLE**

G	D	C	S	WB Cap Style	Converts		Greasable	Spicer Part #	Notes
					From This Series	To This Series Part	Y=Yes N=No		
3.219	1.062	3.125	1.312	TBC	2C	1310	Y	5-291X	
3.219	1.062	3.562	1.438	TBC	3C	1310	Y	5-356X*	
3.625	1.062	3.562	1.438	LWT	3C	1330/P55	Y	5-688X*	
3.625	1.062	3.562	1.438	TBC	3C	1330	Y	5-314X*	
3.625	1.188	3.562	1.438	LWT	3C	1350	Y	5-689X*	
3.625	1.188	3.562	1.438	HWD	3C	1350	Y	5-698X*	
4.188	1.188	4.250	1.438	HWD	4C	1410	Y	5-345X	
4.188	1.188	4.250	1.438	LWT	4C	1410	Y	5-346X*	
4.188	1.375	4.531	1.688	HWD	5C	1480	Y	5-347X*	5-347X was replaced by 5C-3X
4.188	1.375	4.531	1.688	HWD	5C	1480	Y	5C-3X	
4.188	1.375	4.531	1.688	HWT	5C	1480	Y	5-348X*	5-348X was replaced by 5C-5X
4.188	1.375	4.531	1.688	HWT	5C	1480	Y	5C-5X	
4.969	1.375	5.312	1.938	HWD	58WB	1550	Y	5-328X	
4.969	1.375	5.312	1.938	LWT	58WB	1550	Y	5-693X*	
4.969	1.375	5.312	1.938	HWT	58WB	1550	Y	5-329X*	
4.969	1.375	5.531	1.688	HWD	6C/62N	1550	Y	5-221X*	5-221X was replaced by 6C-3X
4.969	1.375	5.531	1.688	HWD	6C/62N	1550	Y	6C-3X	
4.969	1.375	5.531	1.688	HWT	6C/62N	1550	Y	5-220X*	5-220X was replaced by 6C-5X
4.969	1.375	5.531	1.688	HWT	6C/62N	1550	Y	6C-5X	
5.594	1.625	5.844	1.938	HWT	7C/72N/68WB	1650	Y	5-331X*	
5.594	1.625	5.844	1.938	HWD	7C/72N/68WB	1650	Y	5-330X	
8.092	2.186	8.250	2.812	HWT	9C/92N/88WB	1850	Y	5-187X*	
8.092	2.186	8.250	2.812	HWD	9C/92N/88WB	1850	Y	5-186X*	

\* Part has been discontinued † Part is available until supply is exhausted ‡ Not sold separately

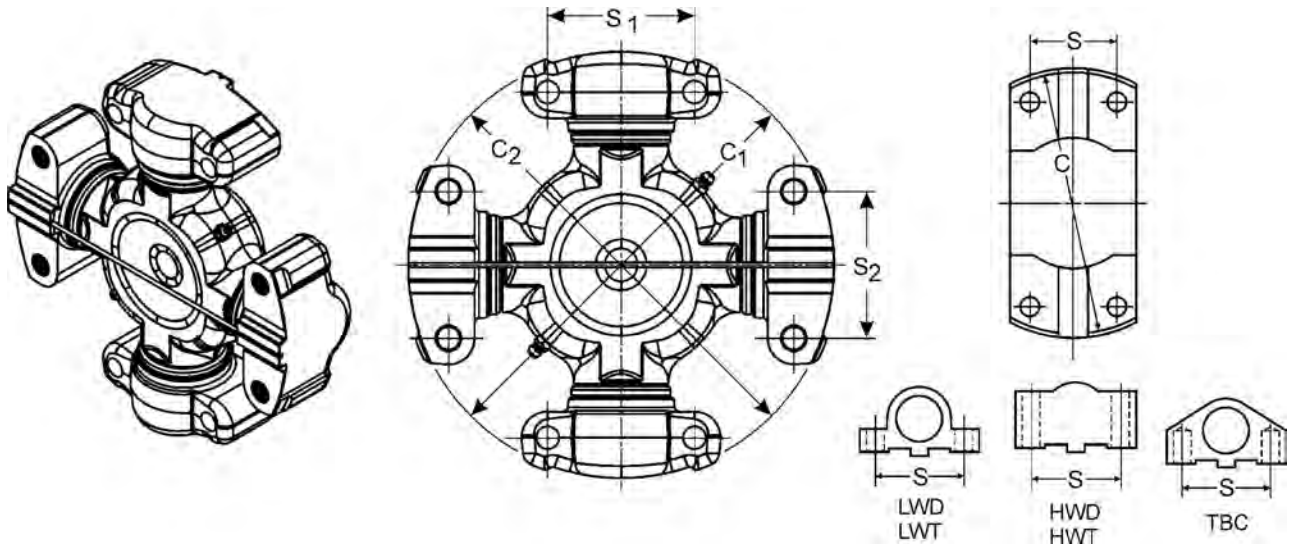


**INSIDE SNAP RING/WING BEARING (ISR/WB) STYLE**

K Between Snap Rings	D Bearing Cap Diameter	C Pilot Diameter	S Between Bolt Holes	WB Cap Style	Converts		Greaseable Y=Yes N=No	Spicer Part #	Notes
					From This Series	To This Series Part			
2.125	1.078		1.750	LWD	7260	Special	Y	5-1304X*	
2.344	1.000	3.125	1.312	LWD	2CRL	2R	Y	5-2033X*	
2.344	1.000	3.125	1.312	TBC	2CRL	2R	Y	5-2031X	
2.562	1.125	3.562	1.438	TBC	3CRL	S44	Y	5-3012X*	5-3012X was replaced by 5-3264X
2.752	1.125	3.559	1.437	LWT	3CRL	S44	Y	5-3264X	
3.250	1.125	4.250	1.438	LWT	4CRL	4D	Y	5-4014X*	
3.250	1.125	4.250	1.438	LWD	4CSRL	4R	Y	5-4016X*	
3.312	1.312	4.531	1.688	LWD	5CSRL	5R	Y	5-5015X	
3.312	1.312	4.531	1.688	LWT	5CRL	5C	Y	5-5008X*	

\* Part has been discontinued † Part is available until supply is exhausted ‡ Not sold separately

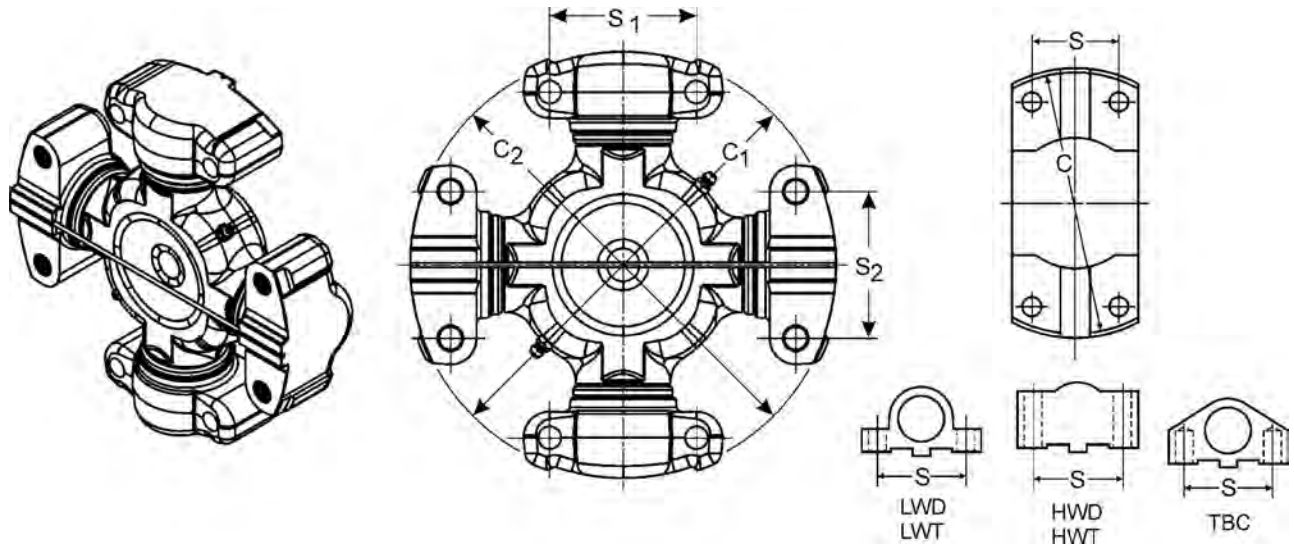




**WING BEARING (WB) STYLE**

C1	S1	WB1	C2	S2	WB2	OE Manufacturer	OE Series	Greasable Y=Yes N=No	Spicer Part #	Notes
Pilot Diameter	Centerline to Centerline	Cap Type	Pilot Diameter	Centerline to Centerline	Cap Type					
3.125	1.312	LWT	3.125	1.312	LWT	Spicer Italcardano	2C	Y	5-781X*	Lube fitting in bearing cap
3.125	1.312	LWD	3.125	1.312	LWD	Spicer Italcardano	2C	N	050239000*	
3.125	1.312	LWD	3.125	1.312	LWD	Spicer Italcardano	2C	Y	050239010*	Lube fitting in bearing cap
3.125	1.312	LWD	3.125	1.312	LWD	Spicer Italcardano	2C	N	050238000*	
3.125	1.312	LWD	3.125	2.387	TBC	Mechanics	2C	Y	5-2116X*	
3.125	1.312	LWT	3.125	2.687	LWT	Mechanics	2C	N	5-2002X*	
3.562	1.438	LWT	3.562	1.438	LWT	Mechanics	3C	Y	5-3000X†	5-3000X will be replaced by 5-3144X when supply is exhausted
3.562	1.438	LWT	3.562	1.438	LWT	Mechanics/Rockwell	3C	Y	5-3144X	
4.250	1.438	HWD	4.250	1.438	HWD	Mechanics	4C		5-4143X*	5-4143X was replaced by 5-4111X 050742000 will be replaced by 5-4111X when supply is exhausted; OEM kit; bolt part # 81530001, not included
4.250	1.438	HWD	4.250	1.438	HWD	Spicer Italcardano	4C	Y	050742000†	050742010 will be replaced by 5-4111X when supply is exhausted; aftermarket kit; bolt part # 81530001, not included
4.250	1.438	HWD	4.250	1.438	HWD	Spicer Italcardano	4C	Y	050742010†	050742020 was replaced by 5-4211X; OEM kit; bolt part # 81530001, not included
4.250	1.438	HWD	4.250	1.438	HWD	Spicer Italcardano	4C	N	050742020*	
4.250	1.438	HWD	4.250	1.438	HWD	Spicer Italcardano	4C	Y	5-4111X	
4.250	1.438	LWT	4.250	1.438	LWT	Mechanics	4C	Y	5-4002X*	5-4002X was replaced by 5-4144X
4.250	1.438	LWT	4.250	1.438	LWT	Mechanics/Rockwell	4C	Y	5-4144X	
4.250	1.438	HWD	4.250	1.438	HWT	Mechanics	4C	Y	5-4140X†	5-4140X will be replaced by 5-4112X when supply is exhausted
4.250	1.438	HWD	4.250	1.438	HWT	Mechanics/Rockwell	4C	Y	5-4112X	
4.250	1.438	HWD	4.250	1.438	HWD	Spicer Italcardano	4C	N	5-4211X	
4.250	1.438	HWD	4.250	1.438	HWD	Spicer Italcardano	4C	Y	15-4111X	SVL by Dana
4.531	1.688	HWD	4.531	1.688	HWD	Mechanics	5C	Y	5C-1X*	5C-1X was replaced by 5-5111X
4.531	1.688	HWD	4.531	1.688	HWD	Mechanics	5C	Y	5-5177X*	5-5177X was replaced by 5-5111X 050776020 will be replaced by 5-5111X when supply is exhausted; OEM kit; bolt part # 81530007, not included
4.531	1.688	HWD	4.531	1.688	HWD	Spicer Italcardano	5C	Y	050776020†	

\* Part has been discontinued † Part is available until supply is exhausted ‡ Not sold separately



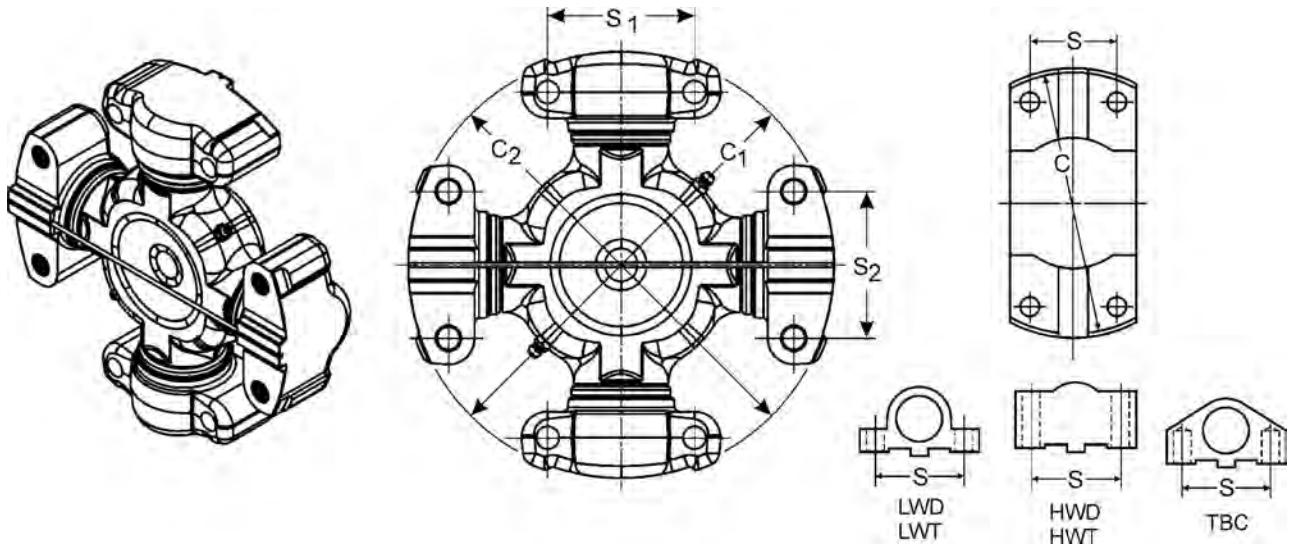
**WING BEARING (WB) STYLE (CONTINUED)**

C1	S1	WB1	C2	S2	WB2	OE Manufacturer	OE Series	Greasable Y=Yes N=No	Spicer Part #	Notes
Pilot Diameter	Centerline to Centerline	Cap Type	Pilot Diameter	Centerline to Centerline	Cap Type					
4.531	1.688	HWD	4.531	1.688	HWD	Spicer Italcardano	5C	Y	050776010†	050776010 will be replaced by 5-5111X when supply is exhausted; aftermarket kit; bolt part # 81530007, not included
4.531	1.688	HWD	4.531	1.688	HWD	Spicer Italcardano	5C	Y	5-5111X	
4.531	1.688	HWD	4.531	1.688	HWD	Spicer Italcardano	5C	N	050370000†	050370000 will be replaced by 5-5211X or 5-5211XM when supply is exhausted; OEM kit; bolt part # 81530007, not included
4.531	1.688	HWD	4.531	1.688	HWD	Spicer Italcardano	5C	N	5-5211X	
4.531	1.688	HWD	4.531	1.688	HWD	Spicer Italcardano	5C	Y	15-5111X	SVL by Dana
4.531	1.688	LWD	4.531	1.688	LWT	Mechanics	5C	Y	5-5121X*	
4.531	1.688	TBC	4.531	1.688	LWT	Mechanics	5C	Y	5-5000X*	
4.531	1.688	HWD	4.531	1.688	HWD	Spicer Italcardano	5C	N	5-5211XM	Same as 5-5211X but metric bolts
5.118	1.937	HWD	5.118	1.937	HWD	Spicer Italcardano	WS36/670	Y	050544000	
5.312	1.938	HWD	5.312	1.938	HWD	Rockwell	58WB	Y	5-5800X*	
5.531	1.688	LWT	5.531	1.688	LWT	Mechanics/Rockwell	6C/62N	Y	5-6000X*	
5.531	1.688	LWT	5.531	1.688	HWD	Mechanics/Rockwell	6C/62N	Y	5-6102X*	
5.531	1.688	LWT	5.531	1.688	HWD	Mechanics/Rockwell	6C/62N	Y	6C-9X*	
5.531	1.688	HWD	5.531	1.688	HWD	Mechanics/Rockwell	6C/62N	Y	5-6106X*	5-6106X was replaced by 5-6111X
5.531	1.688	HWD	5.531	1.688	HWD	Spicer Italcardano	6C/62N	Y	050380000*	050380000 was replaced by 5-6111X
5.531	1.688	HWD	5.531	1.688	HWD	Spicer Italcardano	6C/62N	Y	050223000*	050223000 was replaced by 5-6111X
5.531	1.688	HWD	5.531	1.688	HWD	Mechanics/Rockwell	6C/62N	Y	050138000*	050138000 was replaced by 5-6111X; OEM kit; bolt part # 81530007, not included
5.531	1.688	HWD	5.531	1.688	HWD	Spicer Italcardano	6C/62N	Y	050138010*	050138010 was replaced by 5-6111X; bolt part # 81530007, not included
5.531	1.688	HWD	5.531	1.688	HWD	Mechanics/Rockwell	6C/62N	Y	5-6111X	
5.531	1.688	HWD	5.531	1.688	HWD	Spicer Italcardano	6C/62N	N	050273000*	050273000 was replaced by 5-6211X; bolt part # 81530007, not included
5.531	1.688	HWD	5.531	1.688	HWD	Spicer Italcardano	6C/62N	N	5-6211X	
5.531	1.688	TBC	5.844	1.938	HWD	Mechanics/Rockwell	6C/7C	Y	5-6109X*	

\* Part has been discontinued

† Part is available until supply is exhausted

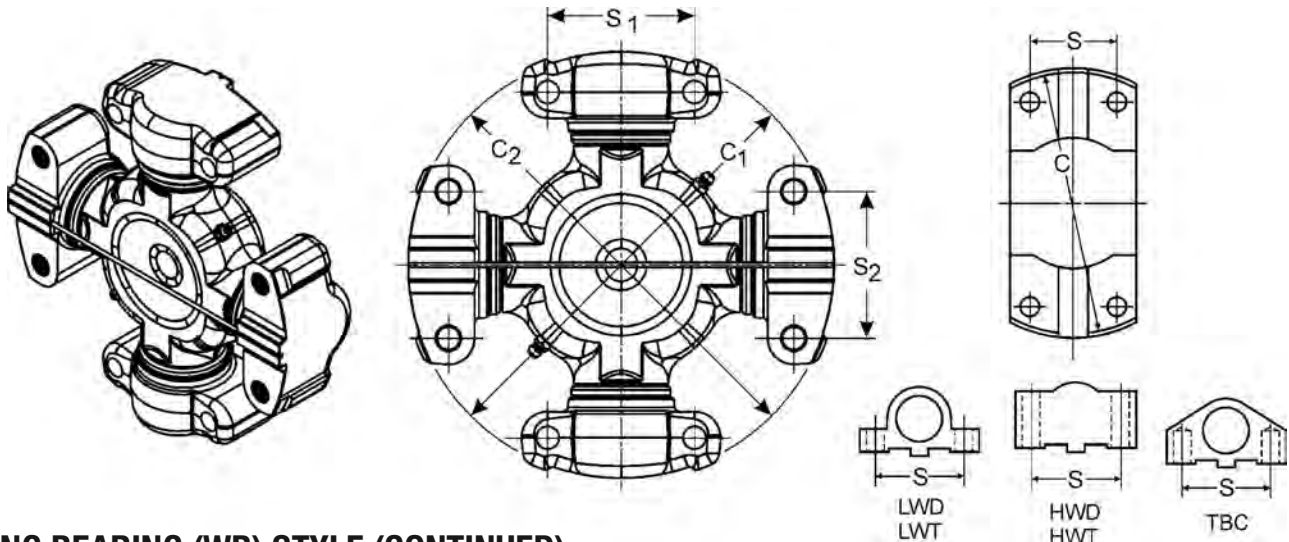
‡ Not sold separately



**WING BEARING (WB) STYLE (CONTINUED)**

C1 Pilot Diameter	S1 Centerline to Centerline	WB1 Cap Type	C2 Pilot Diameter	S2 Centerline to Centerline	WB2 Cap Type	OE Manufacturer	OE Series	Greasable	Spicer Part #	Notes
								Y=Yes N=No		
5.531	1.688	TBC	5.844	1.938	TBC	Mechanics/ Rockwell	6C/7C	Y	5-6108X*	
5.531	1.688	HWD	5.531	1.688	HWD	Mechanics/ Rockwell	6C/62N	Y	15-6111X	SVL by Dana
5.844	1.938	TBC	5.844	1.938	HWD	Mechanics/ Rockwell	7C/72N	Y	5-7202X†	5-7202X will be replaced by 5-7115X when supply is exhausted
5.844	1.938	HWD	5.844	1.938	TBC	Mechanics/ Rockwell	7C/72N	Y	5-7115X	
5.844	1.938	LWT	5.844	1.938	LWT	Mechanics/ Rockwell	7C/72N	Y	5-7000X*	
5.844	1.938	HWD	5.844	1.938	HWD	Spicer Italcardano	7C/72N	N	050915222	
5.844	1.938	HWD	5.844	1.938	HWD	Mechanics/ Rockwell	7C/72N	Y	5-7105X†	5-7105X will be replaced by 5-7111X when supply is exhausted
5.844	1.938	HWD	5.844	1.938	HWD	Spicer Italcardano	7C/72N	Y	050915010*	050915010 was replaced by 5-7111X; aftermarket kit; bolt part # 81530014, not included
5.844	1.938	HWD	5.844	1.938	HWD	Spicer Italcardano	7C/72N	Y	050915000*	050915000 was replaced by 5-7111X; OEM kit; bolt part # 81530014, not included
5.844	1.938	HWD	5.844	1.938	HWD	Spicer Italcardano	7C/72N	N	050280000*	050280000 was replaced by 5-7211X or 5-7211XM50 or 5-7211XM55; bolt part # 81530014, not included
5.844	1.938	HWD	5.844	1.938	HWD	Spicer Italcardano	7C/72N	Y	5-7111X	
5.844	1.938	HWD	5.844	1.938	HWD	Spicer Italcardano	7C/72N	Y	15-7111X	SVL by Dana
5.844	1.938	HWD	5.844	1.938	HWD	Spicer Italcardano	7C/72N	N	5-7211X	
5.844	1.938	HWD	5.844	1.938	HWD	Spicer Italcardano	7C/72N	N	5-7211XM50	Same as 5-7211X but metric bolts
6.500	2.812	HWD	6.500	2.812	HWD	Spicer Italcardano	8.5C	N	050281000*	050281000 was replaced by 5-85211X or 5-85211XM; bolt part # 81530015, not included
6.500	2.812	HWD	6.500	2.812	HWD	Spicer Italcardano	8.5C	N	5-85211X	
6.500	2.812	LWD	6.500	2.812	LWD	Spicer Italcardano	8.5C	Y	050964000*	050964000 was replaced by 5-85133X
6.500	2.812	LWD	6.500	2.812	LWD	Spicer Italcardano	8.5C	Y	5-85133X	
6.500	2.812	HWD	6.500	2.812	HWD	Spicer Italcardano	8.5C	Y	050246000*	050246000 was replaced by 5-85111X; OEM kit; dual Zerk in center of cross
6.500	2.812	HWD	6.500	2.812	HWD	Spicer Italcardano	8.5C	Y	5-85111X	

\* Part has been discontinued † Part is available until supply is exhausted ‡ Not sold separately



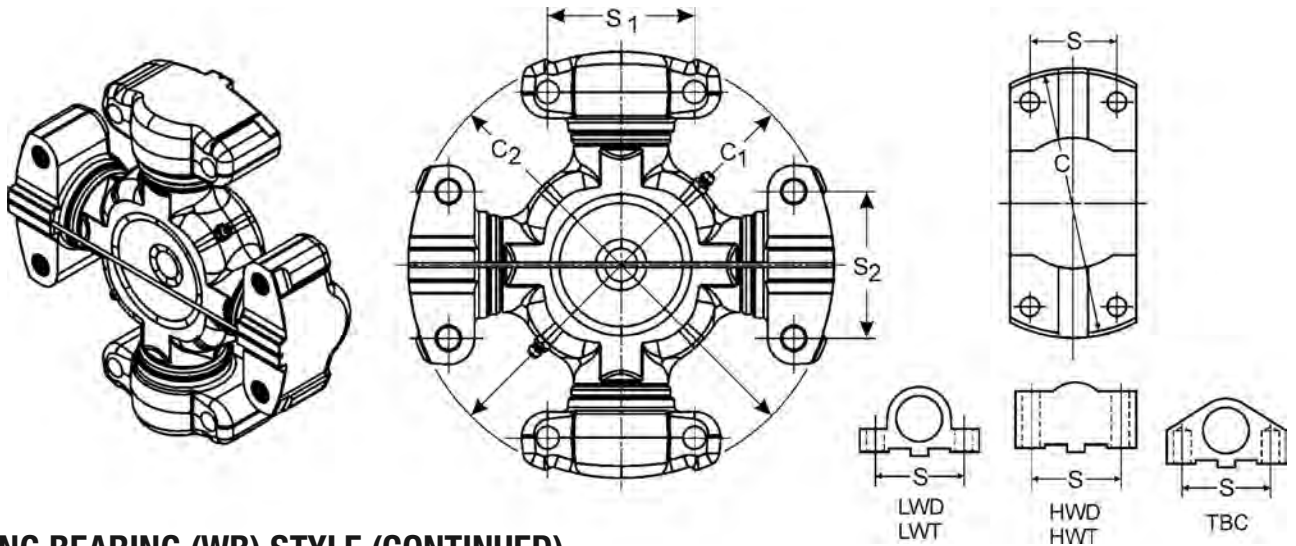
**WING BEARING (WB) STYLE (CONTINUED)**

C1	S1	WB1	C2	S2	WB2	OE Manufacturer	OE Series	Greasable Y=Yes N=No	Spicer Part #	Notes
Pilot Diameter	Centerline to Centerline	Cap Type	Pilot Diameter	Centerline to Centerline	Cap Type					
6.500	2.812	HWD	6.500	2.812	TBC	Spicer Italcardano	8.5C	Y	5-85115X	
6.500	2.812	HWD	6.500	2.812	HWD	Spicer Italcardano	8.5C	Y	15-85111X	SVL by Dana
6.500	2.812	HWD	6.500	2.812	HWD	Spicer Italcardano	8.5C	N	5-85211XM	Same as 5-85211X but metric bolts
8.125	1.938	LWT	8.125	1.938	LWT	Mechanics/ Rockwell	8C/82N	Y	5-8200X*	
8.125	1.938	TBC	8.125	1.938	HWD	Mechanics/ Rockwell	8C/82N	Y	5-8202X*	
8.125	1.938	HWD	8.125	1.938	HWD	Spicer Italcardano	8C/82N	N	050A64000*	050A64000 was replaced by 5-8211X; OEM kit; bolt part # 81530014, not included
8.125	1.938	HWD	8.125	1.938	HWD	Spicer Italcardano	8C/82N	N	5-8211X	
8.125	1.938	HWD	8.125	1.938	HWD	Mechanics/ Rockwell	8C/82N	Y	5-8105X*	5-8105X was replaced by 5-8111X
8.125	1.938	HWD	8.125	1.938	HWD	Spicer Italcardano	8C/82N	Y	050509000*	050509000 was replaced by 5-8111X; OEM kit; bolt part # 81530014, not included
8.125	1.938	HWD	8.125	1.938	HWD	Spicer Italcardano	8C/82N	Y	050509010†	050509010 will be replaced by 5-8111X when supply is exhausted; aftermarket kit; bolt part # 81530014, not included
8.125	1.938	HWD	8.125	1.938	HWD	Spicer Italcardano	8C/82N	Y	050A62000*	050A62000 was replaced by 5-8111X
8.125	1.938	HWD	8.125	1.938	HWD	Spicer Italcardano	8C/82N	Y	5-8111X	
8.125	1.938	HWD	8.125	1.938	HWD	Spicer Italcardano	8C/82N	Y	15-8111X	SVL by Dana
8.250	2.812	HWD	8.250	2.812	HWD	Mechanics/ Rockwell	9C/92N	Y	5-9001X†	5-9001X will be replaced by 5-9111X when supply is exhausted
8.250	2.812	HWD	8.250	2.812	HWD	Spicer Italcardano	9C/92N	Y	15-9111X	SVL by Dana
8.250	2.812	HWD	8.250	2.812	HWD	Mechanics/ Rockwell	9C/92N	Y	5-643X*	(2) 45° Zerks
8.250	2.812	HWT	8.250	2.812	HWD	Mechanics/ Rockwell	9C/92N	Y	5-9002X*	5-9002X was replaced by 5-9112X
8.250	2.812	HWD	8.250	2.812	HWT	Mechanics/ Rockwell	9C/92N	Y	5-9112X	
8.250	2.812	HWT	8.250	2.812	HWT	Mechanics/ Rockwell	9C/92N	Y	5-9000X*	5-9000X was replaced by 5-9122X
8.250	2.812	HWT	8.250	2.812	HWT	Spicer Italcardano	9C/92N	Y	5-9122X	

\* Part has been discontinued

† Part is available until supply is exhausted

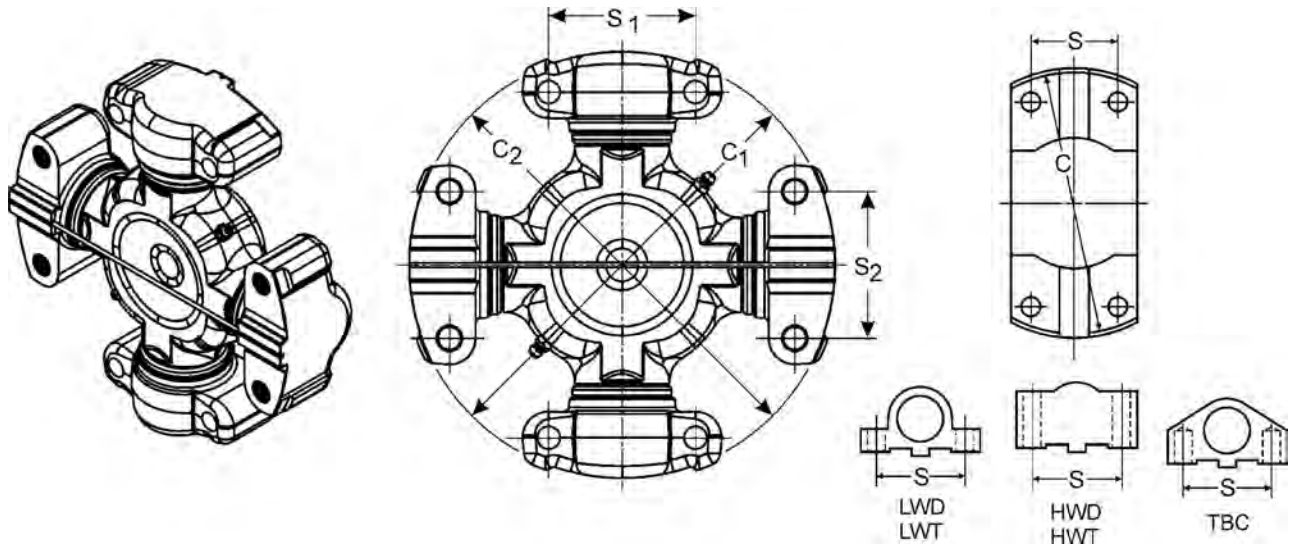
‡ Not sold separately



WING BEARING (WB) STYLE (CONTINUED)

C1 Pilot Diameter	S1 Centerline to Centerline	WB1 Cap Type	C2 Pilot Diameter	S2 Centerline to Centerline	WB2 Cap Type	OE Manufacturer	OE Series	Greasable	Spicer Part #	Notes
								Y=Yes N=No		
8.250	2.812	HWD	8.250	2.812	HWD	Spicer Italcardano	9C/92N	N	050427000*	050427000 was replaced by 5-9211X; OEM kit; bolt part # 81530015, not included
8.250	2.812	HWD	8.250	2.812	HWD	Spicer Italcardano	9C/92N	N	5-9211X	
8.250	2.812	HWD	8.250	2.812	HWD	Spicer Italcardano	9C/92N	Y	050231000*	050231000 was replaced by 5-9111X; OEM kit; 2 Zerks in cross
8.250	2.812	HWD	8.250	2.812	HWD	Spicer Italcardano	9C/92N	Y	5-9111X	
8.374	3.626	HWD	8.374	3.626	HWD	Spicer Italcardano	10C	N	050417000*	050417000 was replaced by 5-10211X or 5-10211XM
8.374	3.626	HWD	8.374	3.626	HWD	Spicer Italcardano	10C	N	050A53000*	050A53000 was replaced by 5-10211X or 5-10211XM; OEM kit; bolt part # 815300017, not included
8.374	3.626	HWD	8.374	3.626	HWD	Spicer Italcardano	10C	N	5-10211X	
8.374	3.626	HWD	8.374	3.626	HWD	Spicer Italcardano	10C	N	5-10211XM	Same as 5-10211X but metric bolts
8.374	3.626	HWD	8.374	3.626	HWD	Spicer Italcardano	10C	Y	050A58000	(2) 45° Zerks in cross
8.374	3.626	HWD	8.374	3.626	HWD	Spicer Italcardano	10C	Y	050242000†	050242000 will be replaced by 5-10111X when supply is exhausted; OEM kit; 2 Zerks in cross
8.374	3.626	HWD	8.374	3.626	HWD	Spicer Italcardano	10C	Y	050A52000*	050A52000 was replaced by 5-10111X
8.374	3.626	HWD	8.374	3.626	HWD	Spicer Italcardano	10C	Y	5-10111X	
8.750	3.500	HWD	8.750	3.500	HWD	TW Disc	J490	Y	5-10490X*	
8.750	3.500	HWD	8.750	3.500	HWD	Spicer Italcardano	11C	Y	050435000*	050435000 was replaced by 5-11111X; has 2 Zerks in cross
8.750	3.500	HWD	8.750	3.500	HWD	Spicer Italcardano	11C	Y	5-11111X	
8.750	3.500	HWD	8.750	3.500	HWD	Spicer Italcardano	11C	N	050A56000*	050A56000 was replaced by 5-11211X; OEM kit; bolt part # 815300004, not included
8.750	3.500	HWD	8.750	3.500	HWD	Spicer Italcardano	11C	N	5-11211X	
10.235	3.936	HWD	10.235	3.936	HWD	Spicer Italcardano	15C	Y	050523001*	050523001 was replaced by 5-15111X; has 2 Zerks in cross; OEM kit
8.750	3.500	HWD	8.750	3.500	HWD	Spicer Italcardano	11C	Y	050A55000*	050A55000 was replaced by 5-11111X; OEM kit; bolt part # 815300004, not included
10.235	3.936	HWD	10.235	3.936	HWD	Spicer Italcardano	15C	Y	5-15111X	
9.685	3.228	HWD	9.685	3.228	HWD	Spicer Italcardano	246-M210	Y	050781200*	Has 2 Zerks in cross; includes bolts
10.235	3.936	HWD	10.235	3.936	HWD	Spicer Italcardano	15C	N	050A69000*	050A69000 was replaced by 5-15211X

\* Part has been discontinued † Part is available until supply is exhausted ‡ Not sold separately



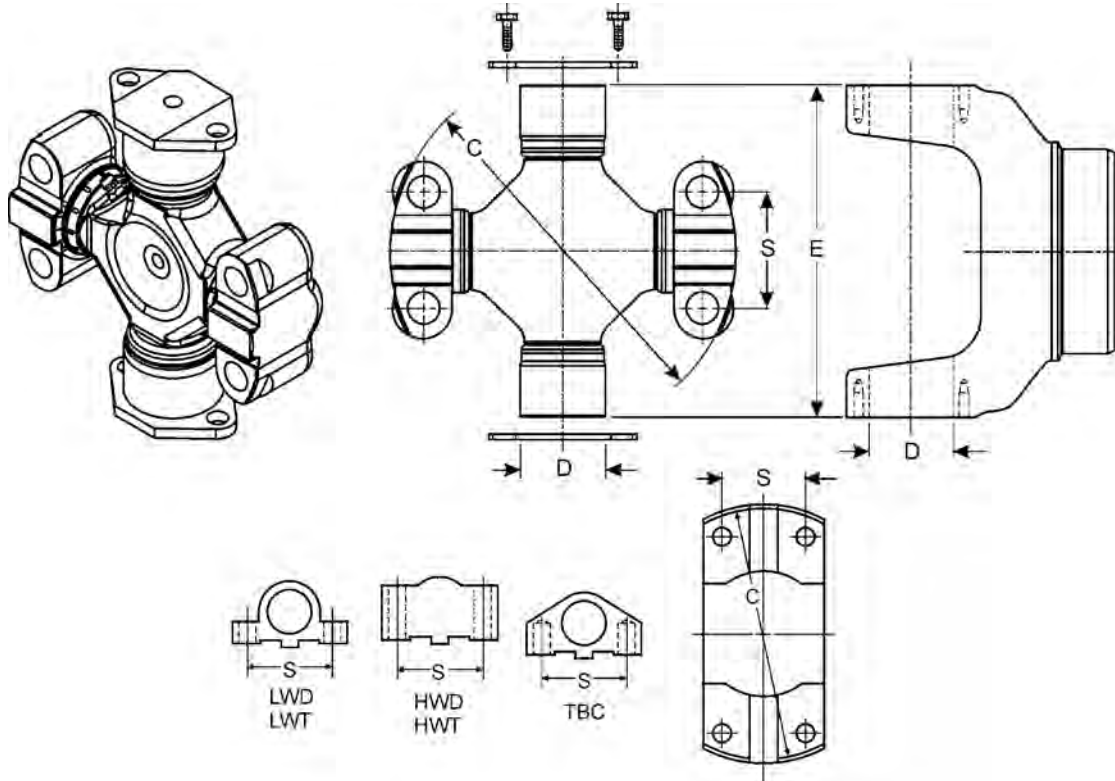
**WING BEARING (WB) STYLE (CONTINUED)**

C1	S1	WB1	C2	S2	WB2	OE Manufacturer	OE Series	Greasable Y=Yes N=No	Spicer Part #	Notes
Pilot Diameter	Centerline to Centerline	Cap Type	Pilot Diameter	Centerline to Centerline	Cap Type					
10.235	3.936	HWD	10.235	3.936	HWD	Spicer Italcardano	15C	N	5-15211X	
11.024	3.622	HWD	11.024	3.622	HWD	Spicer Italcardano	12.5C	Y	050518000*	050518000 was replaced by 5-125111X; OEM kit, 2 Zerks in cross
11.024	3.622	HWD	11.024	3.622	HWD	Spicer Italcardano	12.5C	Y	5-125111X	
11.374	3.326	HWD	11.374	3.326	HWD	Spicer Italcardano	12C	Y	050A89000*	050A89000 was replaced by 5-12111X; low temperature grease; bolt part # 815180001, not included
11.374	3.626	HWD	11.374	3.626	HWD	Spicer Italcardano	12C	Y	050A54000*	050A54000 was replaced by 5-12111X; has 2 Zerks in cross; OEM kit
11.374	3.626	HWD	11.374	3.626	HWD	Spicer Italcardano	12C	N	050111000*	050111000 was replaced by 5-12211X; OEM kit; bolt part # 815180001, not included
11.374	3.626	HWD	11.374	3.626	HWD	Spicer Italcardano	12C	Y	050A68000*	050A68000 was replaced by 5-12111X; (2) 90° Zerks in cross; OEM kit
11.374	3.626	HWD	11.374	3.626	HWD	Spicer Italcardano	12C	Y	5-12111X	
11.374	3.626	HWD	11.374	3.626	HWD	Spicer Italcardano	12C	N	050A84000*	050A84000 was replaced by 5-12211X
11.374	3.626	HWD	11.374	3.626	HWD	Spicer Italcardano	12C	N	5-12211X	
12.204	4.213	HWD	12.204	4.213	HWD	Spicer Italcardano	14.5C	N	050421000†	050421000 will be replaced by 5-145211X when supply is exhausted; OEM kit
12.204	4.213	HWD	12.204	4.213	HWD	Spicer Italcardano	14.5C	N	5-145211X	
13.339	5.310	HWD	13.339	5.310	HWD	Spicer Italcardano	14C	N	050101000*	050101000 was replaced by 5-14211X; bolt part # 81493001, not included
13.339	5.310	HWD	13.339	5.310	HWD	Spicer Italcardano	14C	Y	050A51000*	050A51000 was replaced by 5-14111X; OEM kit; dual Zerk in center of cross
13.339	5.310	HWD	13.339	5.310	HWD	Spicer Italcardano	14C	Y	050A85000*	050A85000 was replaced by 5-14111X; bolt part # 814930001, not included; Zerk in center of cross
13.339	5.310	HWD	13.339	5.310	HWD	Spicer Italcardano	14C	Y	5-14111X	
12.204	4.213	HWD	12.204	4.213	HWD	Spicer Italcardano	14.5C	Y	5-145111X	
13.339	5.310	HWD	13.339	5.310	HWD	Spicer Italcardano	14C	N	5-14211X	

\* Part has been discontinued

† Part is available until supply is exhausted

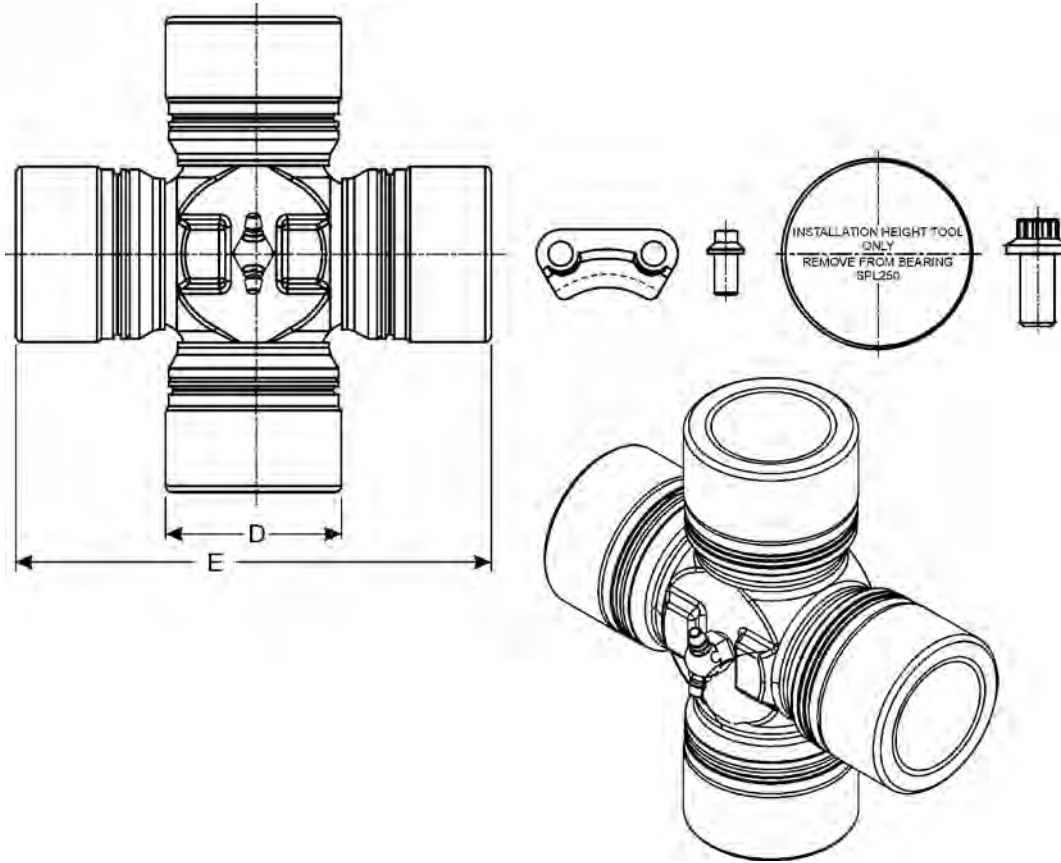
‡ Not sold separately



**BEARING PLATE/WING BEARING (BP/WB) STYLE**

E Between Caps	D Bearing Cap Diameter	C Pilot Diameter	S Between Holes	WB Cap Type	Converts		Greasable Y=Yes N=No	Spicer Part #	Notes
					From This Series	To This Series Part			
5.312	1.875	5.606	2.400	HWD	Bradley	1610	Y	5012401	Bradley Military Vehicle (painted)
5.312	1.875	5.606	2.400	HWD	Bradley	1610	Y	5-450X	Bradley Military Vehicle
6.094	1.938	6.375	2.438	HWD	1710	J210	Y	5-705X*	
6.094	1.938	6.500	2.812	HWD	1710	8.5C/85WB	Y	5-704X*	
7.547	1.938	8.250	2.812	LWT	1810	9C/92N	Y	5-696X*	
7.547	1.938	8.250	2.812	HWD	1810	9C/92N	Y	5-727X*	5-727X was replaced by 5-324X
7.547	1.938	8.250	2.812	HWD	1810	9C/92N	Y	5-324X	
7.547	1.938	8.250	2.812	HWD	1810	9C/92N	Y	15-324X	SVL by Dana
8.094	2.188	8.250	2.812	HWD	1880	9C/92N	Y	5-326X	
8.094	2.188	8.250	2.812	HWT	1880	9C/92N	Y	5-327X	
8.094	2.188	8.250	2.812	HWD	1880	9C/92N	Y	5-642X	(2) 45° Zerks

\* Part has been discontinued † Part is available until supply is exhausted ‡ Not sold separately

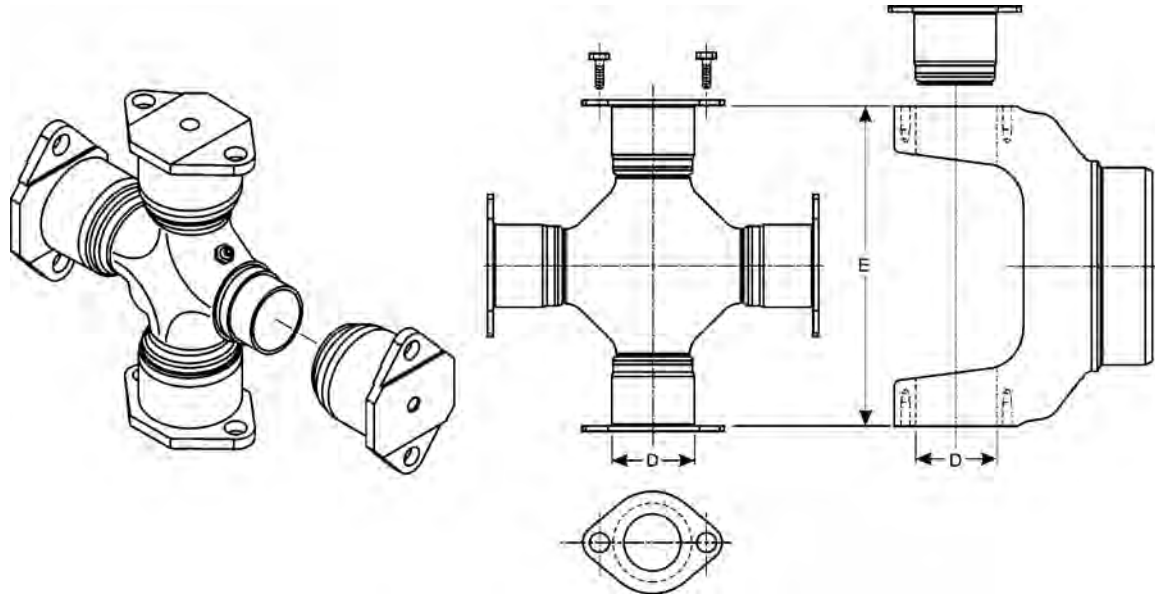


**SPICER LIFE SERIES™ (SPL) STYLE (SPRING TAB STYLE)**

E	E	D	D	OE Manufacturer	OE Series	Greasable	Spicer Part #	Notes
Over Caps (mm)	Over Caps (std)	Bearing Cap Diameter (mm)	Bearing Cap Diameter (std)			Y=Yes N=No		
138.71	5.461	49.20	1.937	Spicer	SPL140	Y	SPL140X	
164.00	6.456	55.00	2.165	Spicer	SPL170	Y	SPL170-3X*	SPL170-3X was replaced by SPL170-4X
164.00	6.456	55.00	2.165	Spicer	SPL170	Y	SPL170X*	SPL170X was replaced by SPL170-4X
164.00	6.456	55.00	2.165	Spicer	SPL170	Y	SPL170-4X	
164.00	6.456	55.00	2.165	Spicer	SPL170	N	SPL170-SF4X	
163.00	6.417	60.00	2.362	Spicer	SPL250	Y	SPL250X*	SPL250X was replaced by SPL250-3X
163.00	6.417	60.00	2.362	Spicer	SPL250	Y	SPL250-3X	
163.00	6.417	60.00	2.362	Spicer	SPL250	N	SPL250-SF3X	

\* Part has been discontinued † Part is available until supply is exhausted ‡ Not sold separately

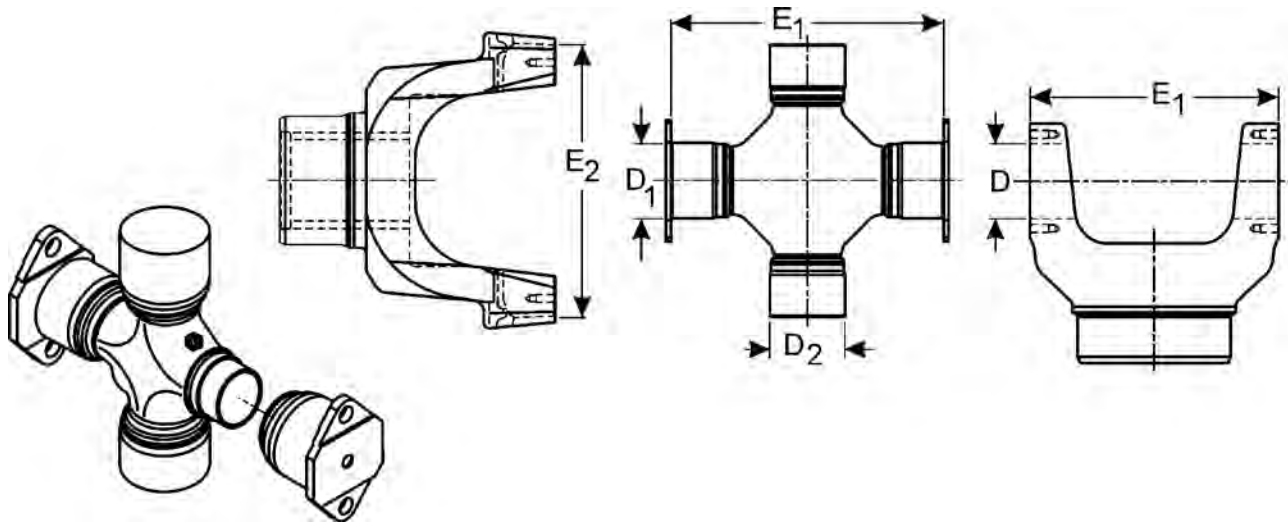




**BEARING PLATE (BP) STYLE**

E Between Caps	D Bearing Cap Diameter	OE Manufacturer	OE Series	Greasable	Spicer Part #	Notes
				Y=Yes N=No		
4.562	1.562	Spicer	1500	Y	5-115X*	5-115X was replaced by 5-3252X
4.562	1.562	Spicer	1500	Y	5-3252X	
5.312	1.875	Spicer	1610	Y	5-279X	
5.312	1.875	Spicer	1610	Y	15-279X	SVL by Dana
6.094	1.938	Spicer	1710	Y	5-280-4X*	4 lube fittings in journal
6.094	1.938	Spicer	1710	Y	5-280X	
6.094	1.938	Spicer	1710	Y	15-280X	SVL by Dana
6.594	2.321	Spicer	1800	Y	5-124X*	
7.000	1.938	Spicer	1760	Y	5-407X	
7.000	1.938	Spicer	1760	Y	15-407X	SVL by Dana
7.547	1.938	Spicer	1810	Y	5-281-4X*	Has 4 Zerks in cross
7.547	1.938	Spicer	1810	Y	5-281X	
7.547	1.938	Spicer	1810	Y	15-281X	SVL by Dana
8.094	2.188	Spicer	1880	Y	5-308X	
8.781	2.812	Spicer	1900	Y	5-54X*	Has 4 bolt holes in bearing plate

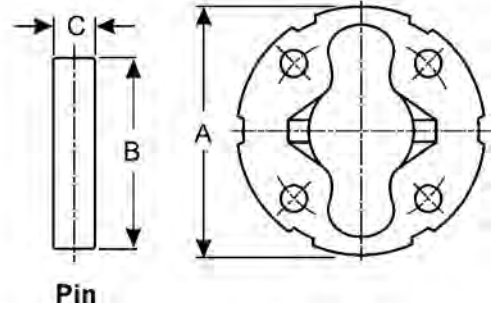
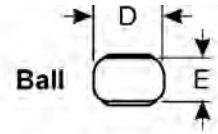
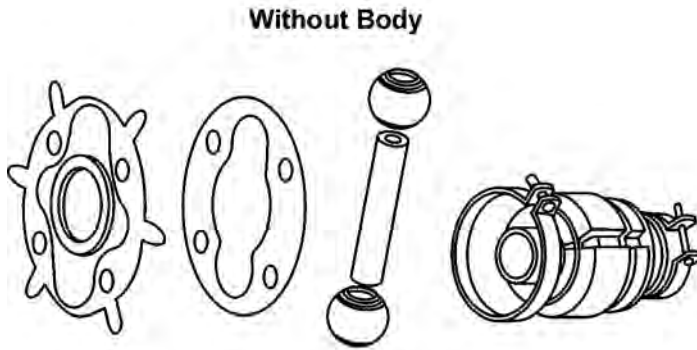
\* Part has been discontinued † Part is available until supply is exhausted ‡ Not sold separately



**HALF ROUND (HR) STYLE**

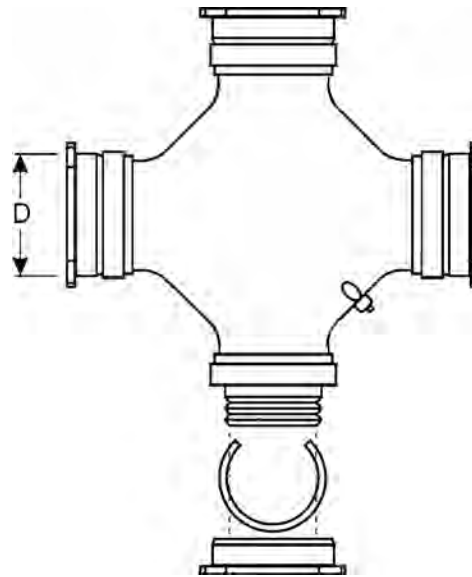
E1 Between Caps	D1 Bearing Cap Diameter	E2 Over Bearing Caps	D2 Bearing Cap Diameter	OE Manufacturer	OE Series	Greasable	Spicer Part #	Notes
						Y=Yes N=No		
5.312	1.875	5.312	1.875	Spicer	1610	N	5001247	Has 2 plugs in place of the Zerks
5.312	1.875	5.312	1.875	Spicer	1610	N	5-610X*	
5.312	1.875	5.312	1.875	Spicer	1610	Y	5-777X	Same as 5-674X w/o strap kit
5.312	1.875	5.312	1.875	Spicer	1610	Y	5-585XM	Metric bolts w/ lock strap; grease Zerk in center of cross
5.312	1.875	5.312	1.875	Spicer	1610	Y	5-438X*	5-438X was replaced by 5-674X
5.312	1.875	5.312	1.875	Spicer	1610	Y	5-674X	Includes strap kit
5.312	1.875	5.312	1.875	Spicer	1610	Y	15-674X	SVL by Dana
5.312	1.875	5.312	1.875	Spicer	1610	Y	5-423X	Grease Zerk in center of cross
6.094	1.938	6.094	1.938	Spicer	1710	Y	5-746X	Includes metric bolts used on bearing cap
6.094	1.938	6.094	1.938	Spicer	1710	Y	5-773X	Same as 5-675X but uses/includes strap with metric bolts
6.094	1.938	6.094	1.938	Spicer	1710	Y	5-515X*	5-515X was replaced by 5-675X
6.094	1.938	6.094	1.938	Spicer	1710	Y	5-671X†	5-671X will be replaced by 5-675X when supply is exhausted; thrustwashers in bearing cap
6.094	1.938	6.094	1.938	Spicer	1710	Y	5-675X	Includes strap kit
6.094	1.938	6.094	1.938	Spicer	1710	Y	15-675X	SVL by Dana
7.000	1.938	7.000	1.938	Spicer	1760	Y	5-469X*	5-469X was replaced by 5-677X
7.000	1.938	7.000	1.938	Spicer	1760	Y	5-677X	Includes strap kit
7.000	1.938	7.000	1.938	Spicer	1760	Y	15-677X	SVL by Dana
7.547	1.938	7.547	1.938	Spicer	1810	Y	5-510X*	5-510X was replaced by 5-676X
7.547	1.938	7.547	1.938	Spicer	1810	Y	5-676X	Includes strap kit
7.547	1.938	7.547	1.938	Spicer	1810	Y	15-676X	SVL by Dana

\* Part has been discontinued    † Part is available until supply is exhausted    ‡ Not sold separately



**POT (POT) STYLE**

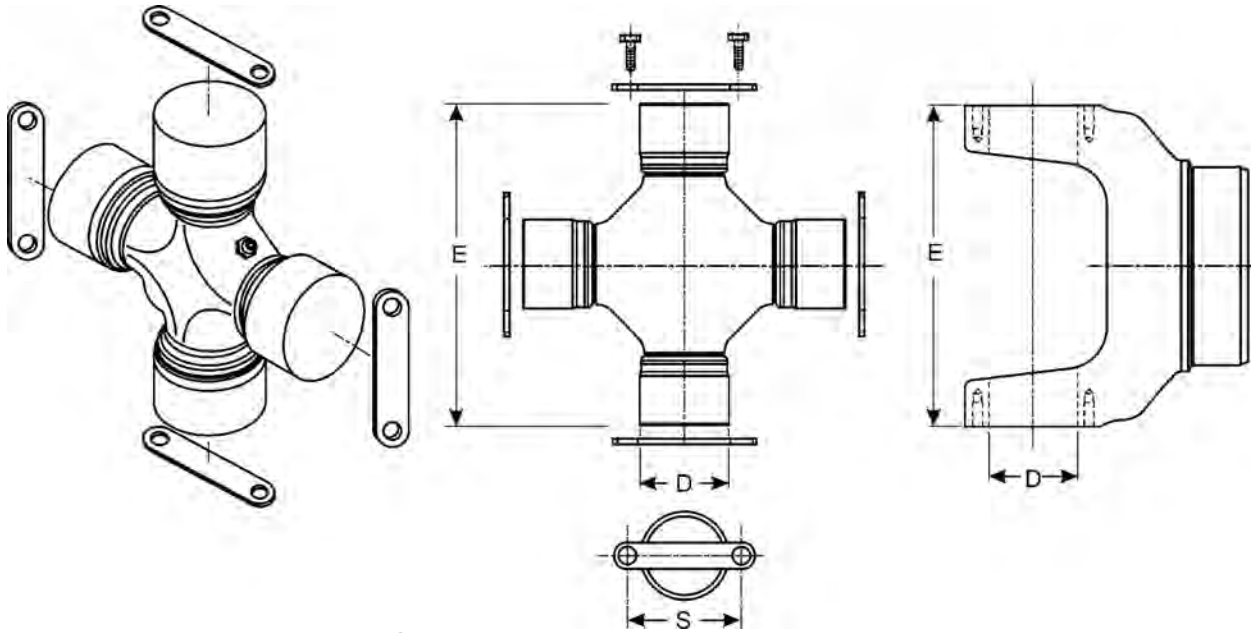
A	B	C	D	E	Spicer Part #
Flange Diameter	Pin Length	Pin Diameter	Ball Diameter	Ball Thickness	
3.625	2.969	0.562	1.031	0.6090	5-1407X*
4.000	2.875	0.562	1.031	0.6090	5-1405X*



**THREADED CAP (THDCAP) STYLE**

Over Caps	D	Thread Size	OE Series	Greasable	Spicer Part #
	Bearing Cap Diameter			Y=Yes N=No	
2.934	1.125	0.938-20	Chev	Y	5-3031X*

\* Part has been discontinued † Part is available until supply is exhausted ‡ Not sold separately



**THREADED PLATE (THDPLT) STYLE**

E Over Caps	D1 Bearing Cap Diameter	S Bolt Hole C-Line to C-Line	OE Manufacturer	OE Series	Greasable	Spicer Part #	Notes
					Y=Yes N=No		
4.188	1.375	1.750	Cleveland	D56	Y	5-1214X*	5-1214X was replaced by 5-3260-1X; bearing plates not supplied with kit
4.188	1.375	1.750	Cleveland	D56-55-2	Y	5-3260-1X	
4.965	1.375	1.750	Cleveland	U56-55-2	Y	5-3261X	

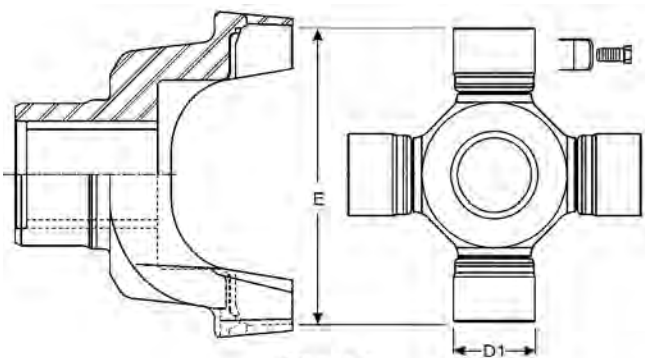


Figure 1

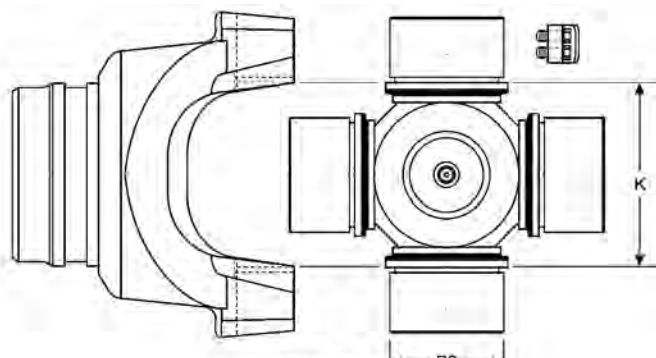
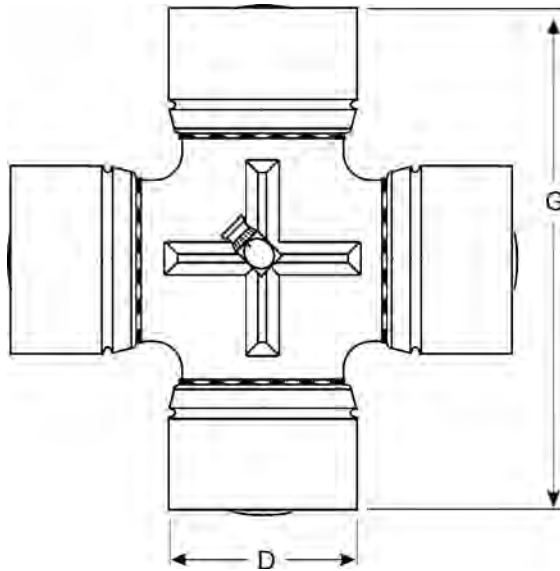


Figure 2

**CAP AND BOLT (CB) STYLE REPLACEMENT KITS**

Figure 1		Figure 2		OE Manufacturer	OE Series	Greasable	Spicer Part #
E Over Caps	D1 Bearing Cap Diameter	K Bolt Hole C-Line to C-Line	D2 Bearing Cap Diameter			Y=Yes N=No	
		5.665	2.565	Spicer	1910	Y	5-316X*
10.046	3.062			Spicer	1950	Y	5-339X*
12.343	3.812			Spicer	2050	Y	5-340X*

\* Part has been discontinued † Part is available until supply is exhausted ‡ Not sold separately



## OUTSIDE SNAP RING (OSR) STYLE GWB REPLACEMENT KITS

G Over Caps	D Bearing Cap Diameter	OE Manufacturer	OE Series
1.614	0.591	Spicer GWB	473.10
1.937	0.748	Spicer GWB	473.20
1.976	0.866	Spicer GWB	373.20
2.323	0.866	Spicer GWB	473.30
2.409	0.937	Spicer GWB	687.10
2.748	1.024	Spicer GWB	287.00
2.933	1.063	Spicer GWB	687.15
3.220	1.181	Spicer GWB	287.10
3.220	1.189	Spicer GWB	687.20
3.622	1.374	Spicer GWB	687.25
3.811	1.378	Spicer GWB	287.20
3.811	1.378	Spicer GWB	587.10
4.114	1.654	Spicer GWB	587.15
4.165	1.496	Spicer GWB	387.20
4.198	1.374	Spicer GWB	687.30
4.587	1.890	Spicer GWB	587.20

G Over Caps	D Bearing Cap Diameter	OE Manufacturer	OE Series
4.701	1.654	Spicer GWB	687.35
4.913	1.732	Spicer GWB	287.30
5.236	2.047	Spicer GWB	587.30
5.322	1.874	Spicer GWB	687.40
5.669	2.244	Spicer GWB	587.35
5.745	2.047	Spicer GWB	687.45
5.984	2.244	Spicer GWB	687.55
5.987	2.244	Spicer GWB	587.42
6.024	1.969	Spicer GWB	287.40
6.457	2.165	Spicer GWB	387.40
6.602	2.323	Spicer GWB	687.60
6.772	2.559	Spicer GWB	687.65
6.772	2.559	Spicer GWB	587.48
7.283	2.835	Spicer GWB	587.50
8.534	2.913	Spicer GWB	587.55
9.110	3.267	Spicer GWB	587.60

If you would like more information on GWB driveshafts, visit [www.gwbdriveshaft.com](http://www.gwbdriveshaft.com), [www.dana.com](http://www.dana.com), or call 1.800.621.8084.

\* Part has been discontinued † Part is available until supply is exhausted ‡ Not sold separately



**Supersession/Obsolescence List**

Obsolete Part #	Series/Model	Status	Replaced By (Where Applicable)
050021000	2C	Obsolete	No replacement
050101000	14C	Superseded	5-14211X
050111000	12C	Superseded	5-12211X
050138000	6C	Superseded	5-6111X
050138010	6C	Superseded	5-6111X
050223000	6C	Superseded	5-6111X
050231000	9C	Superseded	5-9111X
050232	14.5C	Superseded	5-145111X
050232000	14.5C	Superseded	5-145111X
050238000	2C	Obsolete	No replacement
050239000	2C	Obsolete	No replacement
050239010	2C	Obsolete	No replacement
050242000	10C	Superseded	5-10111X
050242020	10C	Superseded	050A58000
050246000	8.5C	Superseded	5-85111X
050261000	8.5C	Superseded	5-85111X
050273000	6C	Superseded	5-6211X
050280000	7C	Obsolete	5-7211X or 5-7211XM50 or 5-7211XM55
050281000	8.5C	Obsolete	5-85211X or 5-85211XM
050370000	5C	Obsolete	5-5211X or 5-5211XM
050380000	6C	Superseded	5-6111X
050417000	10C	Obsolete	5-10211X or 5-10211XM
050421000	14.5C	Superseded	5-145211X
050427000	9C	Superseded	5-9211X
050435000	11C	Superseded	5-11111X
050509000	8C	Superseded	5-8111X
050509010	8C	Superseded	5-8111X
050518	12.5C	Superseded	5-125111X
050518000	12.5C	Superseded	5-125111X
050523001	15C	Superseded	5-15111X
050734010	4C	Superseded	5-4144X
050742000	4C	Superseded	5-4111X
050742010	4C	Superseded	5-4111X
050742020	4C	Superseded	5-4211X
050776010	5C	Superseded	5-5111X
050776020	5C	Superseded	5-5111X
050781200	11.5C	Obsolete	No replacement
050915000	7C	Superseded	5-7111X
050915010	7C	Superseded	5-7111X
050964000	8.5C	Superseded	5-85133X
050A48010	2C	Obsolete	No replacement
050A51000	14C	Superseded	5-14111X
050A52000	10C	Superseded	5-10111X
050A53000	10C	Obsolete	5-10211X or 5-10211XM
050A54000	12C	Superseded	5-12111X
050A55000	11C	Superseded	5-11111X
050A56000	11C	Superseded	5-11211X
050A62000	8C	Superseded	5-8111X
050A64000	8C	Superseded	5-8211X
050A68000	12C	Superseded	5-12111X
050A69000	15C	Superseded	5-15211X
050A84000	12C	Superseded	5-12211X
050A85000	14C	Superseded	5-14111X
050A89000	12C	Superseded	5-12111X
15-103X	1000	Obsolete	No replacement
15-1306X	7260	Obsolete	No replacement

Obsolete Part #	Series/Model	Status	Replaced By (Where Applicable)
15-1309X	7290	Obsolete	No replacement
15-308X	1880	Obsolete	No replacement
15-326X	1880/9C	Obsolete	No replacement
4519302	1310	Superseded	5-3204X
5001919	SPL25	Superseded	5-1330-1X
5002322	1310	Superseded	5-1310X
5003096	1310	Superseded	5-1330X
5003097	1330/3R	Superseded	5-793X
5004891	1350WJ	Superseded	5-7166X
5004947	1330	Superseded	5-1330X
5009484	1350	Superseded	5-1350X
5009485	1350	Superseded	5-1350-1X
5012578	1350	Superseded	5-1350X
5013613	1310	Superseded	5-3613X
5013614	1330	Superseded	5-3614X
5013615	1350	Superseded	5-3615X
5013616	1410	Superseded	5-3616X
5017166	1350WJ	Superseded	5-7166X
5017436	1330/S44	Superseded	5-793X
5018811	1310	Superseded	5-3200X
5018812	BMW/Mazda	Superseded	5-3201X
5018813	1310	Superseded	5-3202X
5018814	1310	Superseded	5-3203X
5018815	S44/1350	Superseded	5-3205X
5019187	1350	Superseded	5-1350X
5-102X	1100SG	Obsolete	No replacement
5-111X	1100	Superseded	5-101X
5-115X	1500	Superseded	5-3252X
5-1201X	S55	Superseded	5-7439X
5-1202X	S55	Obsolete	No replacement
5-1205X	R55	Superseded	5-3250X
5-1206X	1410	Superseded	5004989
5-1214X	Clev.D56	Superseded	5-3260-1X
5-121X	1260	Superseded	5-153X
5-121XU	1310	Superseded	5-153X
5-122X	1310	Superseded	5-153X
5-124X	1800	Obsolete	No replacement
5-125X	1260	Superseded	5-810X
5-1300X	5160	Superseded	5-3251X
5-1304X	7260	Obsolete	No replacement
5-1306-1X	7260	Superseded	5-789X
5-1306X	7260	Superseded	5-789X
5-1306XS	7260	Superseded	5-789X
5-1307X	7260	Superseded	5-789X
5-130X	1330	Superseded	5-213X
5-1312X	1330F-3R3	Superseded	5-3255X
5-132X	1310	Superseded	5-153X
5-138X	1310/1330	Superseded	5-134X
5-1404X	Det Pot	Obsolete	No replacement
5-1405X	Det Pot	Obsolete	No replacement
5-1407X	Det Pot	Obsolete	No replacement
5-1507X	Ford/Maz	Superseded	5-3216X
5-150X	1310/3R	Superseded	5-3022-1X
5-1510-1X	Toyota	Superseded	5-1510X
5-1520X	2.5R	Superseded	5-3219-1X
5-153X25	1310	Superseded	5-153X
5-158X	1550	Superseded	SPL70-1X
5-163X	1310	Superseded	5-153X
5-17166X	1350WJ	Superseded	5-7166X
5-171X	1710	Superseded	5-280X
5-177X	1710	Superseded	5-280X
5-181X	1100	Superseded	5-101X

# Superecession/Obsolescence List

**SPICER®**



Obsolete Part #	Series/Model	Status	Replaced By (Where Applicable)
5-185X	1850	Obsolete	No replacement
5-186X	1850/92N	Obsolete	No replacement
5-187X	1880	Obsolete	No replacement
5-2000X	2C	Superseded	5-2031X
5-2002X	2C	Obsolete	No replacement
5-2007X	2C	Superseded	5-3242X
5-200X	1310	Superseded	5-153X
5-2011X	2R	Superseded	5-3242X
5-2033X	2C	Obsolete	No replacement
5-213-X	1330	Superseded	5-213X
5-214X	1410	Superseded	5-160X
5-220X	1550/6C	Superseded	6C-5X
5-221X	1550/6C	Superseded	6C-3X
5-229X	1330	Superseded	5-1330X
5-230X	1330	Superseded	5-213X
5-231X	3RL/1330	Superseded	5-212X
5-233X	1710	Superseded	5-280X
5-249X	1110/1210	Superseded	5-248X
5-251X	1280	Superseded	5-810X
5-252X	1310	Superseded	5-1310X
5-2530X	1310/2.5R	Superseded	5-3247X
5-254X	3RL/1330	Superseded	5-212X
5-255X	1310	Superseded	5-1310-1X
5-256X	1310	Superseded	5-153X
5-260-1X	1310	Superseded	5-260X
5-262X	1410	Superseded	5-1410-1X
5-263X	1480	Superseded	5-188X
5-269X	1100	Obsolete	No replacement
5-273X	1310	Superseded	5-213X
5-275X	1550	Superseded	SPL70-1X
5-278X	1310	Superseded	5-153X
5-282X	1350	Superseded	5-1350X
5-283X	1310	Superseded	5-1310X
5-296X	1350	Superseded	5-1350X
5-297-1X	1310	Superseded	5-3226X
5-297X	1310WJ	Superseded	5-760X
5-3000X	3C	Superseded	5-3144X
5-3012X	S44/3CRL	Superseded	5-3264X
5-3022X	1310/3R	Superseded	5-3022-1X
5-3031X	3R-CV	Obsolete	No replacement
5-303X	1550/6C	Superseded	6C-3X
5-304X	1550	Superseded	5-155X
5-305X	1410	Superseded	5004989
5-306X	1710	Superseded	5-280X
5-315X	1210	Superseded	5-443X
5-3163X	7290/S44	Obsolete	No replacement
5-316X	1910	Obsolete	No replacement
5-319X	1480	Superseded	SPL55-1X
5-325X	1550	Superseded	SPL70X
5-331X	1650/7C	Obsolete	No replacement
5-332X	1480	Superseded	SPL55-3X
5-338X	1880/9C	Superseded	5-326X
5-339X	1850	Obsolete	No replacement
5-340X	2050	Obsolete	No replacement
5-344X	1310/1330	Superseded	5-134X
5-347X	1480/5C	Superseded	5C-3X
5-348X	1480/5C	Superseded	5C-5X
5-350X	1310	Obsolete	5-3254X
5-353X	1310/7260	Superseded	5-788X
5-354X	1310/7290	Superseded	5-3222X
5-372X	193	Obsolete	No replacement
5-373AX	2210	Obsolete	No replacement

Obsolete Part #	Series/Model	Status	Replaced By (Where Applicable)
5-373X	2210	Obsolete	No replacement
5-4002X	4C	Superseded	5-4144X
5-4014X	4C	Obsolete	No replacement
5-4015X	4R	Obsolete	No replacement
5-4016X	4C	Obsolete	No replacement
5-409X	1330	Superseded	5-7438X
5-4140X	4C	Superseded	5-4112X
5-4143X	4C	Superseded	5-4111X
5-418X	1480/5C	Superseded	5C-3X
5-419X	1310	Superseded	5-153X
5-429X	1410	Obsolete	No replacement
5-432X	55N	Superseded	5-3225X
5-433-1X	1310	Superseded	5-1310-1X
5-438X	1610	Superseded	5-674X
5-447X	1350	Superseded	5-3615X
5-456X	1210WJ	Superseded	5-3215X
5-461X	1710	Superseded	5-675X
5-462X	1410	Superseded	5-1410-1X
5-467X	1310	Superseded	5-3613X
5-469X	1760	Superseded	5-677X
5-471X	1350	Superseded	5-1350-1X
5-477X	1310	Superseded	5-153X
5-479X	1330	Superseded	5-213X
5-480X	1350	Superseded	5-178X
5-481X	1410	Superseded	5-160X
5-482X	1480	Superseded	5-188X
5-483X	1550	Superseded	5-155X
5-485X	1480	Superseded	5-188X
5-4X	1300	Superseded	5-3214X
5-5000X	5C	Obsolete	No replacement
5-5008X	5C	Obsolete	No replacement
5-510X	1810	Superseded	5-676X
5-511X	1310	Superseded	5-153X
5-515X	1710	Superseded	5-675X
5-5177X	5C	Superseded	5-5111X
5-517X	1330	Superseded	5-1330X
5-521X	1330	Superseded	5-3614X
5-523X	1550	Superseded	5-275X
5-526X	1210	Superseded	5-443X
5-527X	7260/7290	Superseded	5-3244X
5-529X	1310	Superseded	5-1310X
5-541X	1330/3R	Superseded	5-793X
5-542X	1350	Superseded	5-1350-1X
5-543X	1550	Superseded	5-155X
5-544X	1310/3R	Obsolete	No replacement
5-546X	1550	Obsolete	No replacement
5-547X	1210	Superseded	5-443X
5-54X	1900	Obsolete	No replacement
5-565X	1590	Superseded	SPL100-1X
5-5800X	58WB	Obsolete	No replacement
5-584X	1350	Superseded	5-178X
5-589X	7260	Obsolete	No replacement
5-599X	1330/7260	Superseded	5-3246X
5-6000X	6C	Obsolete	No replacement
5-6102X	6C	Obsolete	No replacement
5-6106X	6C	Superseded	5-6111X
5-6108X	6C/7C	Obsolete	No replacement
5-6109X	6C/7C	Obsolete	No replacement
5-6110X	6C	Superseded	5-6111X
5-611-1X	1310	Obsolete	No replacement
5-617X	1350	Superseded	5-3615X
5-618X	1330	Superseded	5-1330X

For more information on Spicer products, visit [SpicerParts.com](http://SpicerParts.com). For our e-catalog and parts locator, visit [DanaAftermarket.com](http://DanaAftermarket.com).



Obsolete Part #	Series/Model	Status	Replaced By (Where Applicable)
5-619X	1330/S44	Superseded	5-793X
5-620X	1330	Superseded	5-3614X
5-621X	1330/S44	Superseded	5-793X
5-624X	2C	Obsolete	No replacement
5-625X	1310	Superseded	5-1310X
5-626X	1310	Superseded	5-3613X
5-627X	1350	Superseded	5-1350X
5-631X	1330 Alum	Superseded	5-3614X
5-632X	1310SPEC	Superseded	5-7439X
5-633X	1330	Superseded	5-7438X
5-634X	1310/7260	Superseded	5-788X
5-635X	1330/7290	Superseded	5-7437X
5-636X	7290	Superseded	5-811X
5-637X	1330/7290	Superseded	5-7437X
5-641X	1410	Superseded	5-1410X
5-643X	9C/92N	Obsolete	No replacement
5-647X	1310/7260	Obsolete	No replacement
5-671X	1710	Superseded	5-675X
5-672X	1330/7290	Superseded	5-7437X
5-688X	1330/3C	Obsolete	No replacement
5-689X	1330/3C	Obsolete	No replacement
5-696X	1810/9C	Obsolete	No replacement
5-7000X	7C	Obsolete	No replacement
5-7105X	7C	Superseded	5-7111X
5-718X	S55	Obsolete	No replacement
5-7202X	7C	Superseded	5-7115X
5-7206X	7C	Superseded	5-7115X
5-720X	1330/7260	Superseded	5-3246X
5-721X	1310/Toy	Obsolete	No replacement
5-722X	1410	Superseded	5-1410X
5-723X	1350	Superseded	5-1350X
5-724X	1350 Alum	Superseded	5-3615X
5-726X	1410	Superseded	5-3616X
5-727X	1810/9C	Superseded	5-324X
5-732X	SPL55WJ	Superseded	SPL55-3X
5-733X	SPL55	Superseded	SPL55-4X
5-737X	S44	Superseded	5-795X
5-739X	1410	Superseded	5-1410-1X
5-742X	1330	Superseded	5-1330X
5-7436X	1330/S44	Superseded	5-793X
5-744X	1330	Superseded	5-793X
5-745X	1330	Superseded	5-793X
5-749X	1330/7290	Superseded	5-7437X
5-74X	1310	Superseded	5-260X
5-754X	1330	Superseded	5-811X
5-755X	SPL6	Obsolete	No replacement
5-761X	1410/4C	Superseded	5-345X
5-778X	1550	Superseded	SPL70-1X
5-781X	2C	Obsolete	No replacement
5-785X	1310	Superseded	5-1310X
5-786X	1310	Superseded	5-3613X
5-787X	1310SPEC	Superseded	5-7439X
5-790X	1330	Superseded	5-1330X
5-791X	1330 Alum	Superseded	5-3614X
5-792X	1330-F	Superseded	5-7438X
5-794X	1330/S44	Superseded	5-793X
5-796X	1330/7290	Superseded	5-7437X
5-797X	SPL25	Superseded	5-7437X
5-799X	1350	Superseded	5-1350X
5-800X	1350 Alum	Superseded	5-3615X
5-801X	1410	Superseded	5-1410X
5-802X	1410	Superseded	5-3616X

Obsolete Part #	Series/Model	Status	Replaced By (Where Applicable)
5-803X	1480	Superseded	SPL55X
5-804X	1480	Superseded	SPL55-1X
5-806X	1480WJ	Superseded	SPL55-3X
5-807X	1480WJ	Superseded	SPL55-4X
5-808X	1550	Superseded	SPL70X
5-809X	1550	Superseded	SPL70-1X
5-8105X	8C	Superseded	5-8111X
5-810X	1310	Superseded	5-1310-1X
5-812X	1330	Superseded	5-1330-1X
5-8200X	8C	Obsolete	No replacement
5-8202X	8C	Obsolete	No replacement
5-86X	1350	Superseded	5-1350X
5-88X	1480	Superseded	SPL55-3X
5-9000X	9C	Superseded	5-9122X
5-9001X	9C	Superseded	5-9111X
5-9002X	9C	Superseded	5-9112X
5C-1X	5C	Superseded	5-5111X
600001051	6C	Obsolete	No replacement
6C-1X	6C	Superseded	5-6111X
6C-2X	1550/6C	Obsolete	No replacement
6C-9X	6C	Obsolete	No replacement
7.687.65.06.00.210	SPL350	Superseded	SPL350X
7.687.65.06.00.220	SPL350	Superseded	SPL350SFX
7C-1X	7C	Superseded	5-7111X
7CX	7C	Superseded	5-7211X
SPL100X	SPL100	Superseded	SPL100-1X
SPL170-1X	SPL170	Superseded	SPL170-4X
SPL170-3X	SPL170	Superseded	SPL170-4X
SPL170X	SPL170	Superseded	SPL170-4X
SPL22-1X	SPL22	Superseded	5-1310X
SPL22-2X	SPL22	Superseded	5-3613X
SPL22-3X	SPL22	Superseded	5-7439X
SPL22-4X	SPL22	Superseded	5-788X
SPL22-6X	SPL22	Superseded	5-1310X
SPL22-7X	SPL22	Superseded	5-1310-1X
SPL22-8X	7260	Superseded	5-789X
SPL250-1X	SPL250	Superseded	SPL250-3X
SPL250X	SPL250	Superseded	SPL250-3X
SPL25-10X	SPL25	Superseded	5-1330-1X
SPL25-1X	SPL25	Superseded	5-1330X
SPL25-2X	SPL25	Superseded	5-3614X
SPL25-3X	SPL25	Superseded	5-7438X
SPL25-4X	SPL25	Superseded	5-793X
SPL25-5X	SPL25	Superseded	5-793X
SPL25-6X	1330/S44	Superseded	5-795X
SPL25-7X	SPL25	Superseded	5-7437X
SPL25-8X	SPL25	Superseded	5-7437X
SPL25-9X	SPL25	Superseded	5-811X
SPL30-1X	SPL30	Superseded	5-1350X
SPL30-2X	SPL30	Superseded	5-3615X
SPL30-3X	SPL30	Obsolete	No replacement
SPL30-4X	SPL30	Obsolete	No replacement
SPL36-1X	SPL36	Superseded	5-1410X
SPL36-2X	SPL36	Superseded	5-3616X
SPL36-3X	SPL36	Superseded	5-1410X
SPL36-4X	SPL36	Obsolete	No replacement
SPL36-6X	SPL36	Superseded	5-1410X
SPL55-2X	SPL55	Obsolete	No replacement
SPL55-5X	SPL55	Superseded	SPL55-1X
SPL70-3X	SPL70WJ	Superseded	SPL70-4X
SPL90-1X	SPL90	Superseded	SPL100-1X
SPL90X	SPL90	Superseded	SPL100-1X











# IDENTIFY



# LOCATE



# ORDER



# TRACK



# SIMPLIFIED.



[DanaAftermarket.com](http://DanaAftermarket.com)

## **SPICER**<sup>®</sup>



**It's never been easier to do business with Dana.**

You've spoken. We've listened. Easily access the genuine Spicer parts information you need to succeed. Search by part number, product type, product line, keywords, and year-make-model. Place and track your orders. It's all here to help streamline your operations and grow your business.

Experience the new one-stop solution from Spicer today!

**Dana Aftermarket Group**

PO Box 1000  
Maumee, Ohio 43537

Warehouse Distributors: 1.800.621.8084  
OE Dealers: 1.877.777.5360

Product information: [SpicerParts.com](http://SpicerParts.com)  
E-cat/parts locator: [DanaAftermarket.com](http://DanaAftermarket.com)

**SPICER**<sup>®</sup>



K350-2-DAG-122017 Printed in U.S.A.  
Copyright Dana Limited, 2017.  
All rights reserved. Dana Incorporated.

