



Installation Instructions

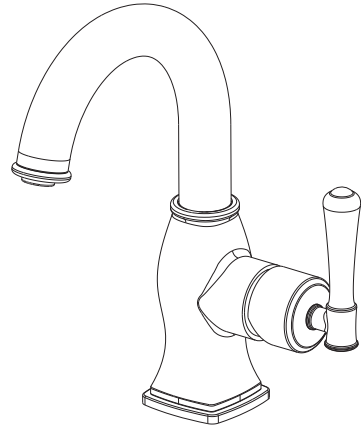
Aurora

BA-500-01

Single Handle Bathroom Faucet

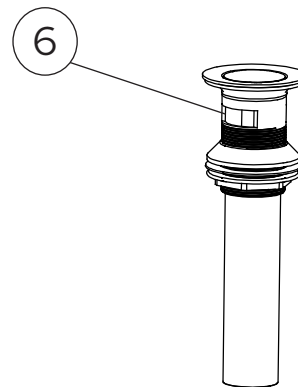
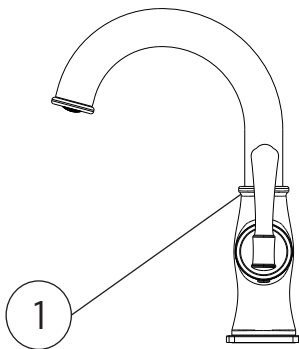
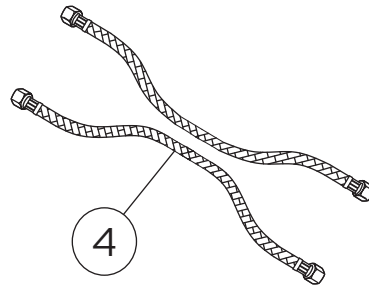
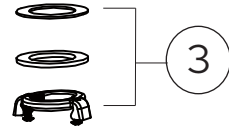
Thank you for selecting Lulani.

To ensure that your installation proceeds smoothly, please read these instructions carefully before you begin.



Parts Included

1. Faucet
2. Above sink hardware: rubber O-ring
3. Below sink hardware: rubber washer, metal washer, mounting nut
4. Water supply lines
5. Escutcheon (4" Baseplate)
6. Over-flow pop-up drain



⚠ Note: This faucet has been packaged with an over-flow pop-up drain. DO NOT use with a non-over-flow sink.

Recommended Tools (not included)

- | | |
|-------------------------|--------------------|
| 1. Adjustable Wrench | 6. Measuring Tape |
| 2. Phillips Screwdriver | 7. Plumber's Putty |
| 3. Safety Goggles | 8. Channel Locks |
| 4. Flashlight | 9. Allen Key |
| 5. Bucket | |



Caution: Tips for removal of old faucet

Always turn off the water supply before removing the existing faucet or replacing any part of the faucet. Open the faucet handle to relieve water pressure and ensure that water is completely shut off.

Maintenance

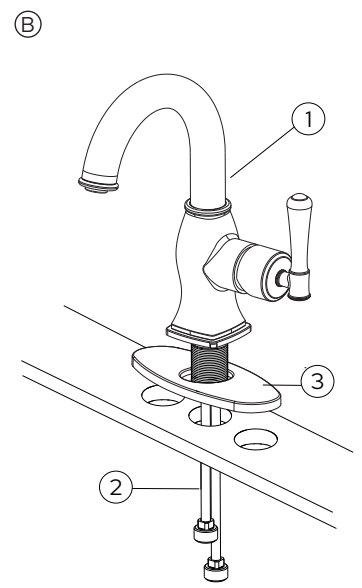
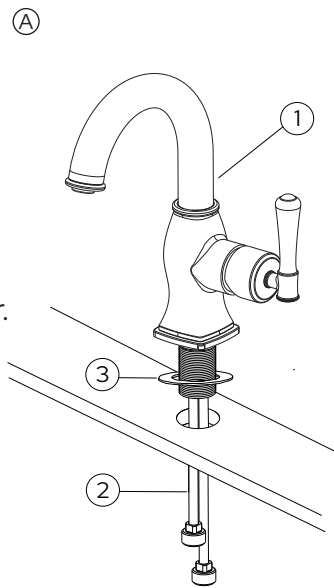
Your new faucet is designed for years of trouble-free performance. Keep it looking new by cleaning it periodically with a soft cloth. Avoid abrasive cleaners, steel wool, and harsh chemicals as these will dull the finish and void your warranty.

Step 1

Single hole bathroom faucets can be installed in a sink with a single hole OR a sink with 3 holes, typically meant for a 4" centerset faucet.

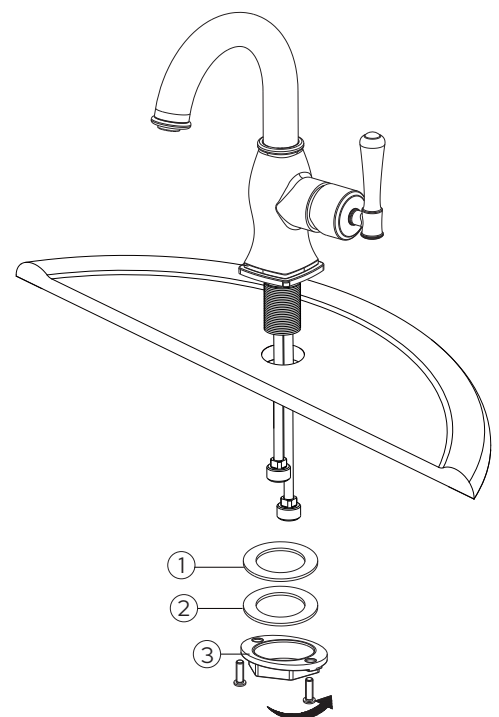
A. For 1-hole installation, insert the faucet's (1) tail pipes (2) through the hole. Make sure that the rubber o-ring (3) is installed over the counter.

B. For 3-hole installation, insert the faucet's (1) tail pipes (2) through the 4" baseplate (3) and then through the center hole. The baseplate will cover the surrounding holes.



Step 2

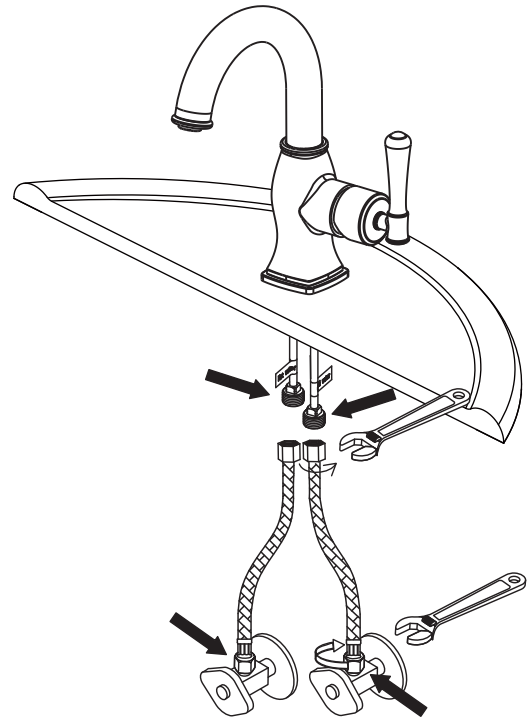
From under the sink, secure the faucet with the rubber washer (1), metal washer (2), and mounting nut (3). Use a Phillips screwdriver to secure the screws of the nut. Do not over tighten!



Step 3

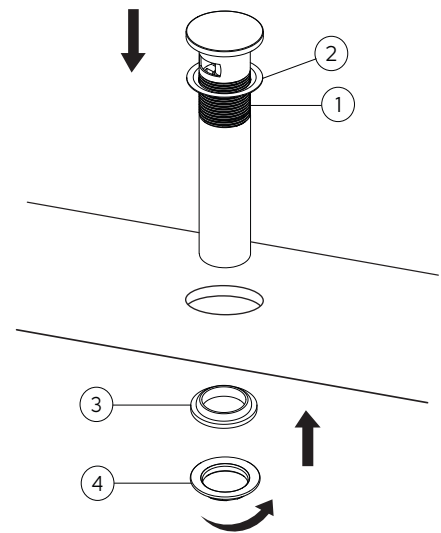
Connect the water supply lines to the faucet's tail pipes and to the water valves. Tighten each end with an adjustable wrench. **Do not over tighten!**

Check all connections (shown with arrows in the image) for leaks. Re-tighten if necessary.



Step 4

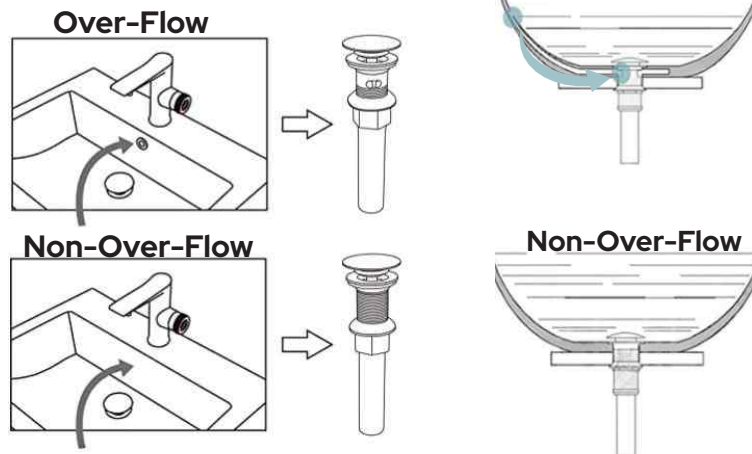
From the top of the drain hole, place the drain (1) through the installation hole. Make sure that the rubber o-ring (2) is on the top side of the sink. From under the drain hole, install the rubber gasket (3) and metal nut (4) by hand twisting on to the tail pipe of the drain. Then, install the tail pipe to the wall plumbing.



*Note: Lulani faucets are packaged with over-flow drains by default. If you have a specialty sink and need a NON-over-flow drain, please contact us for details.

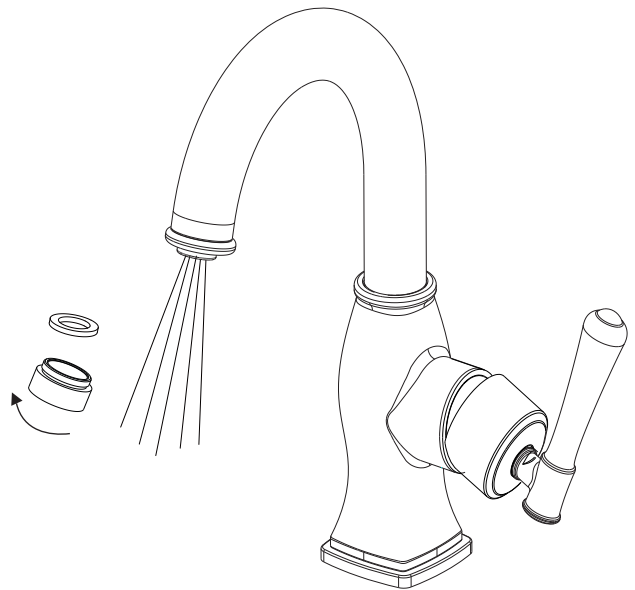
What's an over-flow pop-up drain?

The primary purpose of the over-flow drain is to help your sink drain faster. The over-flow on the drain works in coordination with the primary drain to prevent flooding.



Step 5

After installation is complete, remove the aerator to flush for any possible debris. Turn the faucet handle all the way on, turn on the hot and cold water supply and flush water lines for one minute. Re-install the aerator once complete.



About our products

The Auora Single Handle Faucet puts a modern twist on a classic design. Its unique, side-facing handle allows for a smooth and easy operation while highlighting the base's sleek, hourglass design. Available in chrome and brushed nickel, this high-arching faucet features a Neoperl aerator, a durable brass body construction and a Limited Lifetime Warranty. It's well suited as the focal point of any resort-inspired bathroom design.

BOLD, MODERN DESIGNS

Inspired by the world's most exotic locations, every Lulani product is designed to leave a lasting impression. After the initial sketch, our talented team of product engineers complete an extensive R&D process ensuring each piece performs beautifully.

ONLY THE HIGHEST QUALITY OF MATERIALS

We settle for nothing short of perfection. That's why we source only the finest raw materials, components, and finishes. No shortcuts. Only the best for you and your family.

BEAUTY THAT LASTS A LIFETIME

Our quality control experts meticulously test and retest each and every one of our products to ensure they exceed even the highest standards for health, safety and durability. From corrosion, pressure and decay resistance to flow rate and ease of assembly, all of our craftsmanship is backed by an industry-leading Lifetime Limited Warranty.



Congratulations! You've successfully finished installing your new faucet. For troubleshooting questions or concerns, please reference the Owner's Manual or visit our website at www.lulani.com.

We value your opinion! Don't forget to leave us a review.