

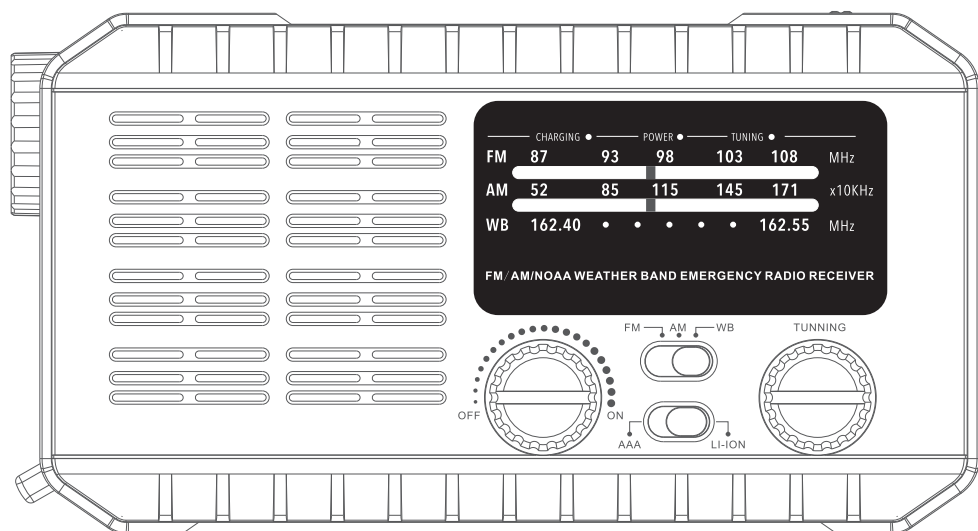


CRUSADER ONE

INSTRUCTION MANUAL

MANUEL D'UTILISATION

MANUAL DE INSTRUCCIONES



INCLUDES

- 1 x 72HRS CRUSADER ONE
- 1 x Wrist Strap
- 1 x Lithium-ion Battery
- 1 x USB Charging Cable
- 1 x Instruction Manual

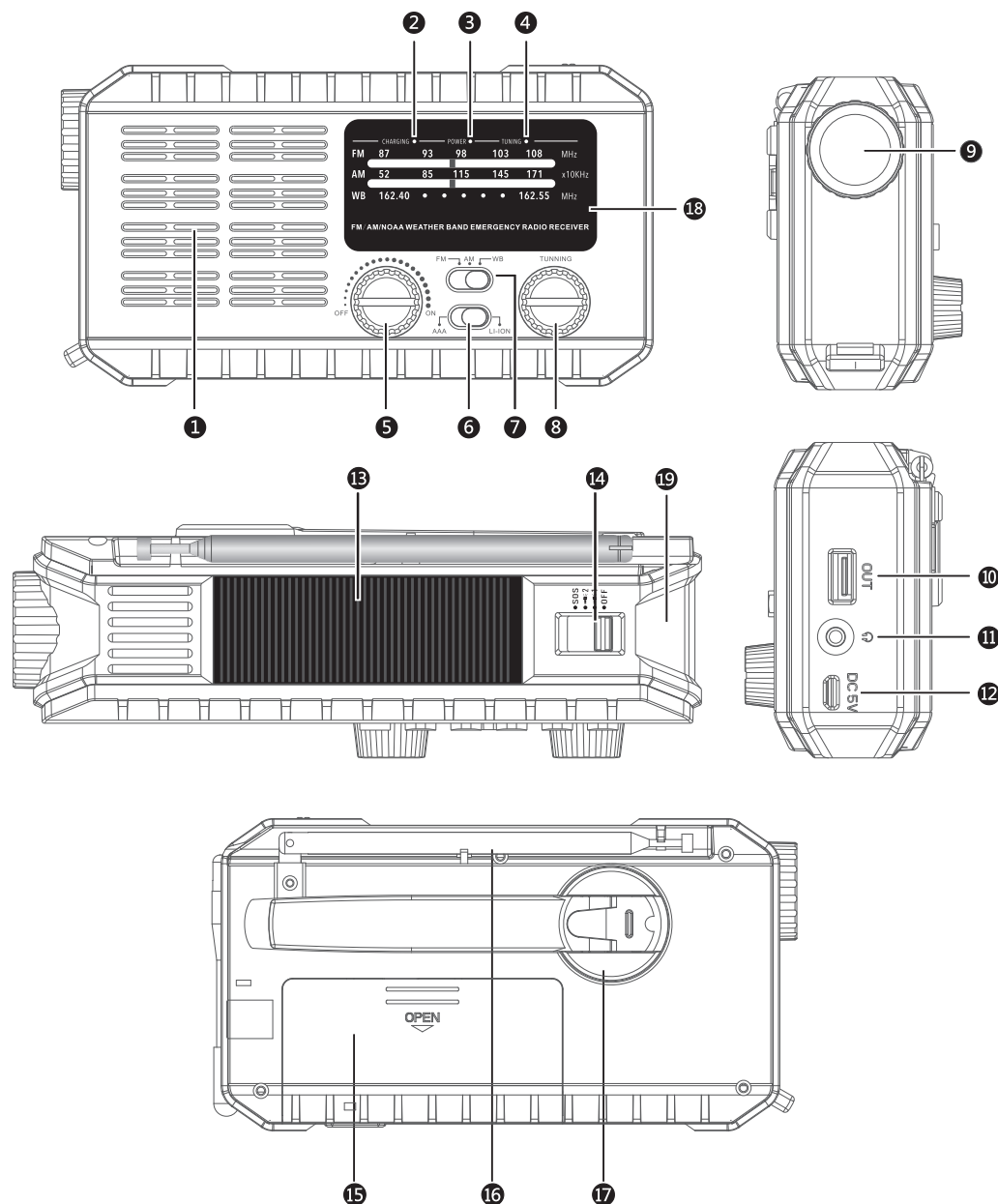
IMPORTANT REMINDER

Before you use this device for the first time, please read the manual and heed all warnings even if you are familiar with handling electronic devices.

- Ensure the device is not exposed to direct heat sources (e.g. radiators).
- Avoid contact with water including sprays, drops, and aggressive fluids. Never operate the device near water or underwater, and do not place any items containing liquids, such as drinks, vases, etc. on or near the device.
- Never place the device near magnetic fields (e.g. speakers).
- Never place the device near a naked flame (e.g. burning candles).
- Do not insert any foreign object into the device.
- Please use a 5V voltage charger to charge the device.
- If you want to clean the device, please make sure to disconnect all power.
- Remove the battery if the device is not going to be used for an extended period. Improper use could cause explosions or leaks. If the battery fluid comes into contact with your skin or eyes, rinse immediately with plenty of water and seek medical aid.
- Do not allow children to play with the batteries as they are potential choking hazards. Keep batteries out of reach of children. If a battery is swallowed, seek medical help immediately.

OVERVIEW OF CONTROLS AND BUTTONS

1. Speaker
2. Emergency Charging LED Light/
DC Charging LED Light
3. Power Indicator Light
4. LED Tuning Indicator
5. Power/Volume Knob
6. AAA/Li-ion Switch
7. Band Switch
8. Tuning Knob
9. LED Light
10. USB Output Port
11. Headphone Jack
12. Micro USB Charging Port
13. Solar Panel
14. LED Flashlight/SOS Switch
15. Battery Compartment
16. Telescopic Antenna
17. Crank Powered Dynamo Generator
18. Frequency Window
19. Strap Attachment Port



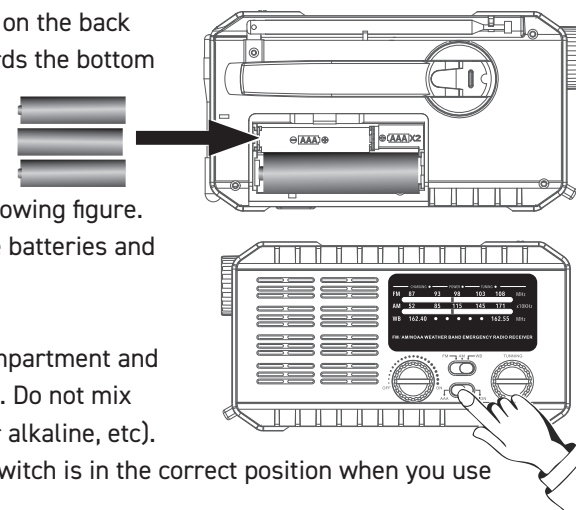
INSERT THE AAA BATTERIES

Open the battery compartment cover on the back panel of the device by sliding it towards the bottom and removing it.

Insert the batteries with the correct polarity (+ and -), as shown in the following figure. The correct polarity is labelled on the batteries and inside the battery compartment.

Re-insert the cover of the battery compartment and slide it upwards until it locks in place. Do not mix battery types (old and new, carbon or alkaline, etc).

Make sure the "AAA/LI-ION" Power Switch is in the correct position when you use AAA or Li-ion battery.

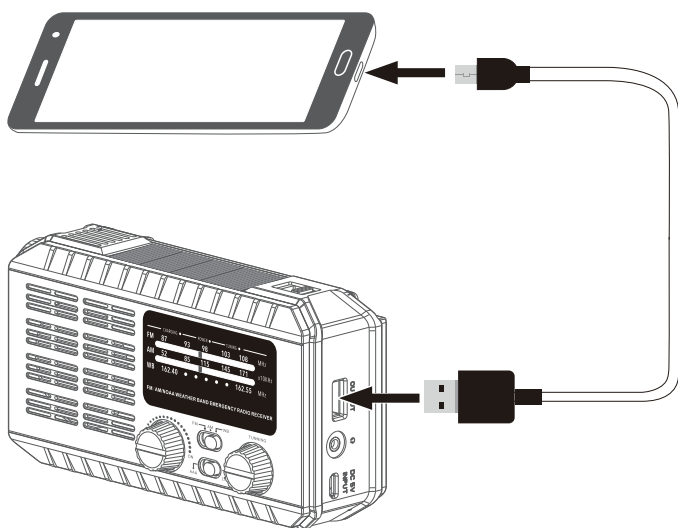


LITHIUM-ION BATTERY

- If you want to use the lithium-ion battery, please make sure the "AAA/LI-ION" switch is in the "LI-ION" position.
- When using the lithium-ion battery, please make sure it has power so that you can use the SOS or Flashlight in case of an emergency.
- To prolong the life of the rechargeable battery, please charge the device at least once per month. The rechargeable battery may become damaged if not use for a long time.
- When power is low, the device can be charged via the Micro USB, Dynamo Generator, or Solar Panel.
- After charging the device around 400 times, the lithium-ion battery may require replacement because of capacity degradation. You can buy a new 3.7V 18650 lithium-ion battery at your local store.

CHARGE YOUR MOBILE PHONE

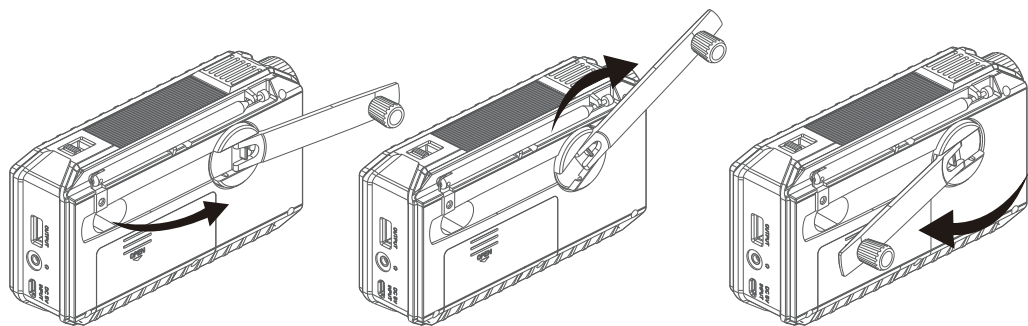
- This radio can also serve as an emergency portable charger for your mobile phone or any 5V input voltage device.
- Use the included USB cable or your phone's USB cable.
- Plug the USB cable into the "OUTPUT" port of the radio.
- Plug the other end of the USB cable into the phone.
- Make sure the radio has enough power before charging your device.
- When charging other devices, the "CHARGING" LED Light will turn on. The "CHARGING" LED Light will turn off after disconnecting the USB cable.
- You can only charge devices using the lithium-ion rechargeable battery. Make sure the "AAA/LI-ION" switch is in the "LI-ION" position before charging.



CHARGE BY POWER GENERATOR

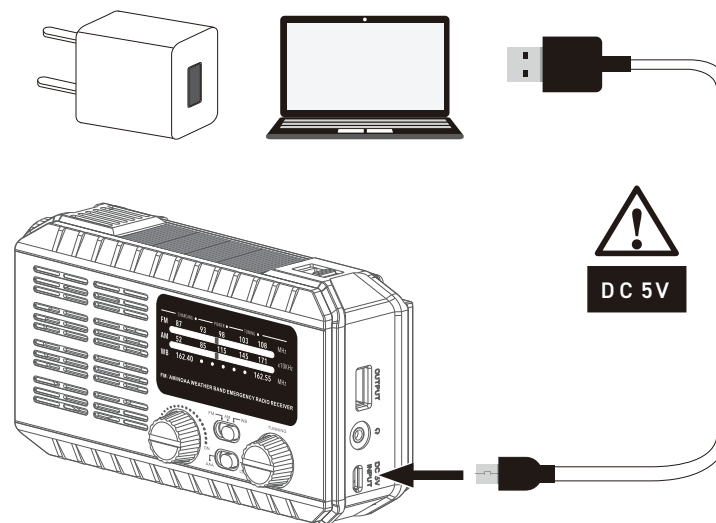
- The lithium-ion battery can be charged by rotating the Crank Powered Dynamo Generator.
- The "CHARGING" LED Light will be on when rotating the generator handle.

Note: 5 minutes of cranking will provide approximately 15 minutes of low volume radio use or 2 hours of flashlight use.



CHARGE BY USB SOCKET

- Plug the matching end of the charging cable (included) into the "DC 5V INPUT" port.
- Plug the other end of the cable into a USB socket of an external power supply.
- Please use a DC 5V device charger to charge the radio.
- The "CHARGING" LED Light will flash when charging and will stay on when the battery is full.
- The battery will be fully charged in approximately 3 hours.
- When the battery is full, disconnect it from the power source.



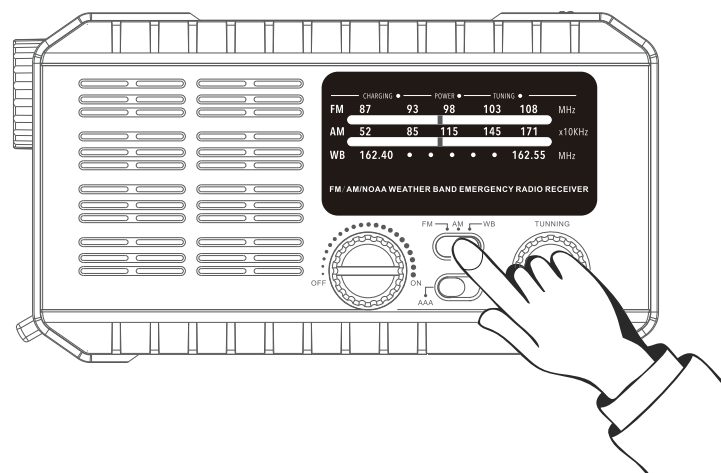
CHARGE BY SOLAR PANEL

- Position the radio with the solar panel pointing directly at the sun.
- The "CHARGING" LED Light will turn on.
- The sunlight needs to be bright enough to charge the device.

LISTEN TO RADIO BROADCAST PROGRAM

- Select the desired power source (AAA or Li-ion)
- Selected the desired band using the "FM/AM/WB" Band Switch.
- Rotate the Power/Volume knob clockwise to turn on the radio and increase the volume.
- Rotate the "TUNING" knob to select your desired station.
- The "TUNING" LED Indicator will turn on when the station selected is tuned to the strongest signal.
- Rotate the Power/Volume knob to adjust the volume.
- Rotate the Power/Volume knob to "OFF" position to turn off the radio.
- When listening to FM or WB band, use the telescopic antenna. Adjust the antenna direction and length to receive the best reception.
- When listening to AM (MW) band, the radio uses its internal antenna for reception. You do not need to use the telescopic antenna. You can adjust the radio direction to get the best reception.
- To avoid radio interference, please do not listen to the radio while charging your phone or when the radio is charging.

Do not use flashlight brightness "1" when listening to the AM band as it will cause radio interference.

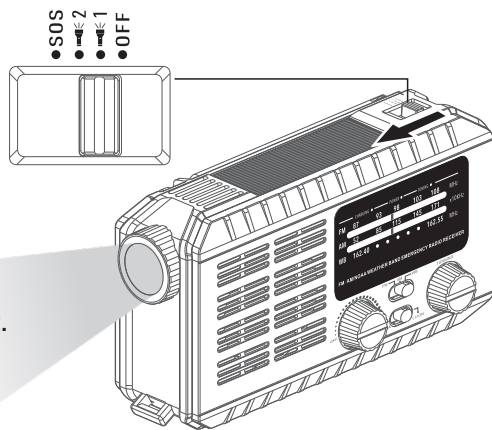


LED FLASHLIGHT

- Push the LED Flashlight/SOS Switch to the flashlight position to turn on the LED flashlight.

- The LED flashlight has 2 brightness levels "1" and "2".

- Push the LED Flashlight/SOS Switch to "OFF" to turn off the LED flashlight.

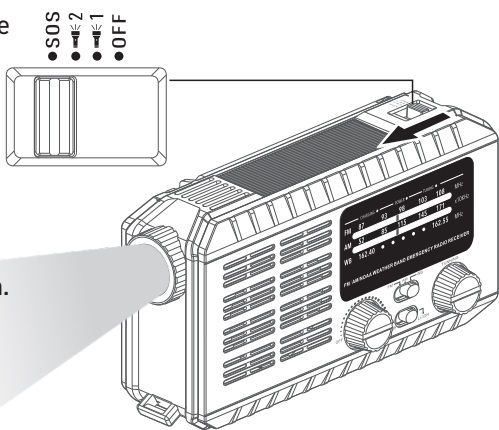


SOS ALARM

- Push the LED Flashlight/SOS Switch to the "SOS" position to turn on the SOS feature.

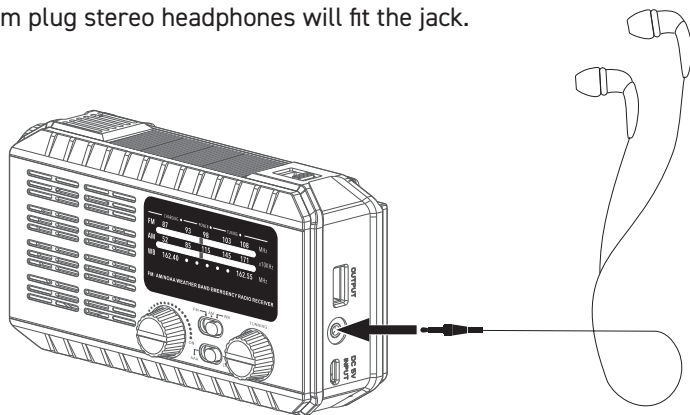
- Turning the SOS feature on will activate the alarm and the light will flash.

- Push the LED Flashlight/SOS Switch to the "OFF" position to turn off the SOS alarm.



LISTENING WITH EARPHONE

- Plug in headphones (not included) into the Headphone Jack on the side of the radio.
- Any 3.5mm plug stereo headphones will fit the jack.



POWER INDICATOR

- The "Power Indicator Light" will turn on when the device is on and turn off when the device is off.
- The "Power Indicator Light" will "Blink" if the battery is low.
- When using the lithium-ion battery, you will need to recharge the battery when the light "Blinks".
- When using AAA batteries you, will need to change the batteries when the light "Blinks".

TROUBLESHOOTING

- Check the following solutions if you experiencing problems with your device.

NO POWER

- Make sure you select the correct power source.
- Ensure that the AAA batteries are installed correctly.
- Make sure the lithium-ion battery is installed correctly .
- Charge the lithium-ion battery.

POOR RADIO RECEPTION

- Keep the radio away from other electronic devices to avoid radio interference.
- Change the length and direction of the antenna.
- Change the direction of the radio.

NO SOUND

- Adjust the Power/ Volume Knob.

CANNOT CHARGE THE PHONE OR LITHIUM-ION BATTERY

- Make sure the lithium-ion battery is charged.
- Make sure the correct power source is selected.
- The USB cable does not match the USB socket of your phone.
- Use the USB cable included with your phone.
- Charging may be unsuccessful based on your phone model and requirements.

PRODUCT INFORMATION

FREQUENCY RANGE	WEATHERBRAND	
FM: 87-108MHz	CH1 162.400 MHz	CH4 162.475 MHz
AM: 520-1710KHz	CH2 162.425 MHz	CH5 162.500 MHz
	CH3 162.450 MHz	CH6 162.525 MHz
		CH7 162.550 MHz

POWER SUPPLY	
	Lithium-ion battery: 2000mAh 3.7V 7.4 WH
	Input voltage: DC 5V
	Battery: 3x AAA batteries (not included)
	Micro USB charging: 1000mA (max)
	Power generator: 450mA (max)
	Solar Panel: 100mA (max)

OUTPUT (DISCHARGE)	1500mA (max)
--------------------	--------------

POWER CONSUMPTION	
	Speaker mode around 400mA/H
	Earphone mode around 50mA/H
	Flashlight 1 around 150mA/H
	Flashlight 2 around 300mA/H (100 Lumen)
	SOS Alarm around 600mA/h

SENSITIVTY	FM: 3dB WB: 0dB AM: 60dB
------------	------------------------------

SIZE (W x H x D)	15.9 x 8.6 x 4.4 cm 6.26 x 3.39 x 1.73 in
------------------	---

WEIGHT	315.0 g 11.11 oz
--------	--------------------