

LEXIVON

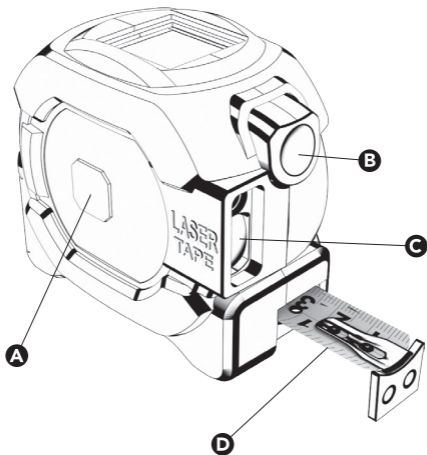
2-IN-1 DIGITAL LASER & TAPE MEASURE



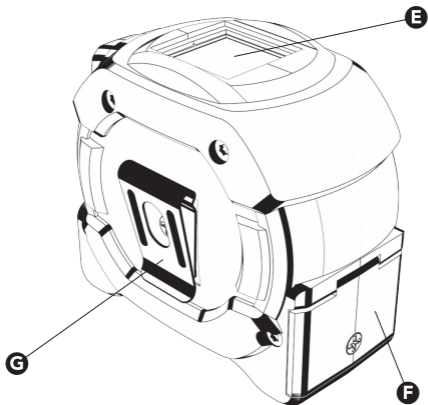
LX-201 USER MANUAL

1. PRESENTATION

- A. Laser measure button
- B. AutoLock push button
- C. Laser beam emitter & receiver
- D. Magnetic hook & blade



- E.** Back-lit LCD display
- F.** Battery compartment
- G.** Belt clip



2. OPERATION

2.1 BATTERY INSTALLATION

- 1)** Unscrew the battery compartment cover using the screwdriver and Remove protective plastic tab on batteries before installation
- 2)** Insert 2 new batteries LR03/AAA respecting the polarity. (Both batteries and screwdriver are included in the package)
- 3)** Re-place cover and tighten screw – be careful to not over tighten the screw. (Use only alkaline 1.5v batteries - avoid corrosion by taking them out while not in use)

2.2 LONG DISTANCE LASER MEASUREMENT

- 1)** Press “Measure Button” to activate the laser Instrument - LCD display will turn on.
- 2)** Press the Button again to trigger the distance measurement - laser point will blink while measuring. You can choose your measurement position accordingly: Level, Vertical, or Diagonal Line.
- 3)** Measurement value will display immediately on LCD Screen. Start a new measurement by pressing the button again and re-activate the laser beam, then repeat the above step **(2)**

4) Long press on “Measure Button” (about 3 Seconds) to switch from Feet to Metric.

Note: measurement unit “ft” is displayed on the LCD as follows: - - -' - -”.

A long press will also convert an already captured measurement

5) Long press the “Measure Button” (about 5 seconds) to power off the instrument. automatically Laser Beam turns off after 30 seconds if no action is taken. The instrument will switch to inactive automatically after 3 minutes of standby.

2.3 SHORT DISTANCE AUTOLOCK TAPE

1) Pull out the blade with one hand while holding the tape with the other - the blade will be locked automatically.

2) Control the blade with the “AutoLock” Stop button, smoothly retract by gently pressing the button.

3) Use “AutoLock” Button to slowly withdraw the blade to reach your desired measurement.

4) Use “Magnetic Hook” on any metal surface to perform measurements with ease.

5) Double printed scale allows you to measure Inch & Metric (printed fractional graduations)

3. KEY FEATURES

3.1 REFERENCE

The default reference for long distance laser measurements is from the back side of the unit.

When measured from the point, please minus the length of the tape: 3-3/8in or 86mm.

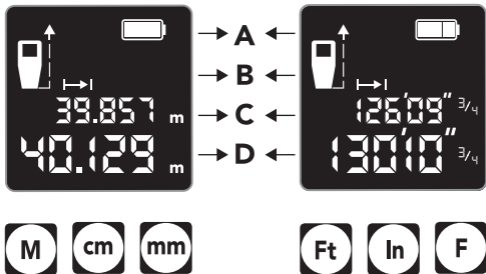
3.2 LCD DISPLAY

A. Battery Life

B. Reference

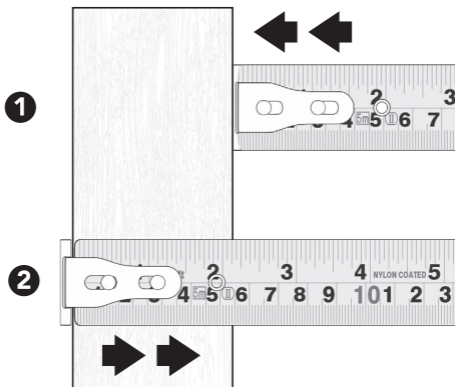
C. Previous Value

D. Current Value



3.3 TRUE ZERO HOOK

Moveable hook enhance accuracy with inside (1) and outside (2) measurements.

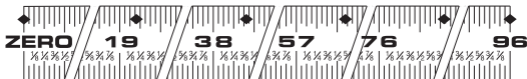


3.4 STUD & RAFTER MARKING

Center stud marking on 16-Inch increments allows 7 stud arrangements on an 8-Footer sheet of wood or drywall.



Layout 6 trusses/rafters on an 8-Footer sheet with center marking black diamonds in 19-3/16 Inch increments.



4.TROUBLESHOOTING

All the information is displayed in code or “Error”

CODE	CAUSE	CORRECTIVE MEASURE
208	Excessive current	Please contact our distributor
220	Battery low	Replace the Batteries
252	Temperature too high	Let device cool down to operating temperature
253	Temperature too low	Warm up the operating temperature
255	Received signal too weak or measurement time too long	Use target plate or change a good reflective surface
256	Received signal too strong	Target too reflective, use target plate or do not aim at strong light objective
261	Outside of the range of measurement	Select the measurement distance within the range of measurement
500	Hardware error	Switch on/off several times. If it still doesn't work please contact your distributor

5. SPECIFICATION

The Max measuring range	1-130F / 0.2-40m
Measurement accuracy	±1/16inch / ±1.5mm
Measurement units	Feet/Inch/Fractions & Meter/CM/MM
Laser class	Class 2
Laser type	630-670nm, <1mW
Single Distance	√
Continuous Measurement	√
Button	Soft rubber button
Operation temperature	32-100F / 0°C-40°C
Storage temperature	14-122F / -10°C-50°C
Battery life	5,000 measurement times
Battery type	AAA 2x1.5v
Auto laser off	30 seconds
Dimensions	3-3/8 * 3-1/8 * 2inch / 86 * 50 * 80mm
Weight	10.7oz / 305g

6. WARNING

LASER RADIATION
DO NOT STARE INTO BEAM



Class 2 Laser Product
Maximum output <math><1\text{mW}</math>

CAUTION: While using this product, always wear ANSI approved protective eyewear and clothing



LEXIVON HAS YOU COVERED

**OUR MEASURING INSTRUMENTS
USUALLY COME WITH A 1 YEAR WARRANTY**



Register your new product online Within 90 days from the purchase

**IN ORDER TO EXTEND YOUR
WARRANTY SERVICE FOR 2 YEARS**

REGISTER AT: www.lexivon.com/product-registration

**FOR ANY HELP YOU MIGHT NEED
PLEASE DON'T HESITATE TO CONTACT US**



support@lexivon.com



www.lexivon.com/support