

# LEXIVON

TAPE MEASURE - DUALOCK SERIES



USER MANUAL

## 1. PRESENTATION

1

**A.** TPR Rubber Jacket

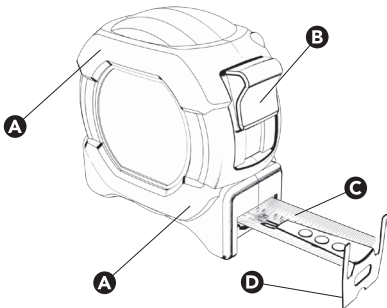
**B.** Sliding Lock

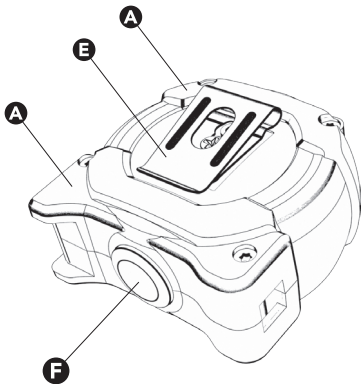
**C.** Dual Printed Scale

**D.** Multi-catch Hook

**E.** Belt Clip

**F.** Speed Brake





## 2. OPERATION

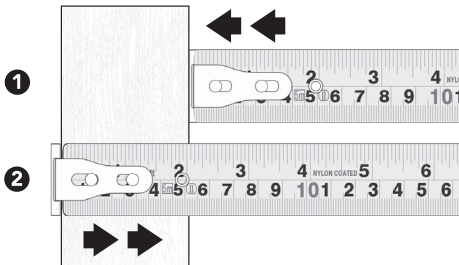
3

- 1)** Pull out the blade with one hand while holding the tape with the other.
- (2)** Slide the thumb lever to lock blade position on your desired measurement.
- (3)** Use "Multi-catch" hook to perform measurements with both sides of blade.
- (4)** Unlock the "Sliding Lock" and control retraction with the bottom "Speed Brake".
- (5)** Double printed scale allows you to measure SAE & Metric (printed fractional graduations).

### 3. KEY FEATURES

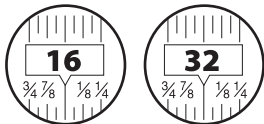
#### 3.1 TRUE ZERO HOOK

Moveable hook enhance accuracy with internal (1) and external (2) measurements.

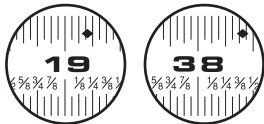


### 3.2 STUD MARK

Center stud marking on 16-Inch increments allows 7 stud arrangements on an 8-Footer sheet of wood or drywall.



Layout 6 trusses/rafters on an 8-Footer sheet with center marking black diamonds in 19-3/16 Inch increments.





**CAUTION:** While using this product, always wear ANSI approved protective eyewear and clothing

**CE MID**  

**FOR ANY HELP YOU MIGHT NEED  
PLEASE DON'T HESITATE TO CONTACT US**



[support@lexivon.com](mailto:support@lexivon.com)



[www.lexivon.com/support](http://www.lexivon.com/support)

# LEXIVON HAS YOU COVERED

**OUR MEASURING INSTRUMENTS  
USUALLY COME WITH A 1 YEAR WARRANTY**



*Register your new product online Within 90 days from the purchase*

**AND GET YOUR LEXIVON  
LIMITED LIFETIME WARRANTY**

REGISTER AT: [www.lexivon.com/product-registration](http://www.lexivon.com/product-registration)